



Pacific Accessory Corporation

C2R-VW2

Radio Replacement Interface
with Nav Outputs for select
Volkswagen CANbus Vehicles With
or Without Premium Audio Systems

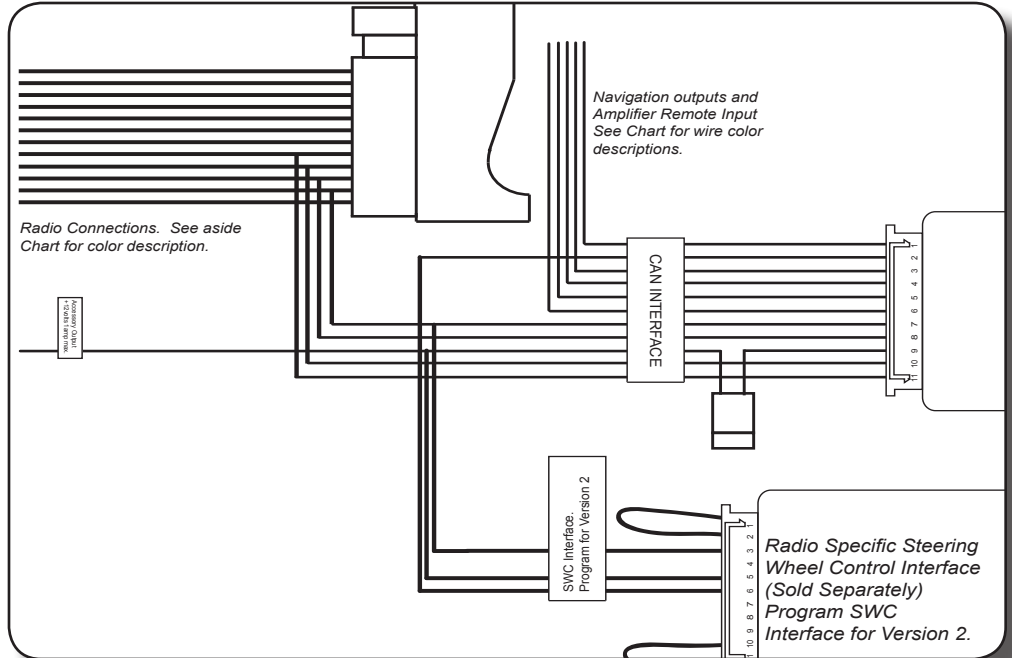
Radio Connection Chart:

(Read the Installation Notes before making connections to the provided radio harness)

Yellow	Battery +12v
Black	Ground
Blue	Amp Turn On Input
White	Front L + input
White / Black	Front L - input
Grey	Front R + input
Grey / Black	Front R - input
Green	Rear L + input
Green / Black	Rear L - input
Purple	Rear R + input
Purple / Black	Rear R - input

CAN Interface Connection Chart:

Red	Acc. Output (1 amp)
Red / White	P.B. Output (-)
Purple / White	VSS Output (Pulse)
Orange / White	Illum. Output (+)
Green	Reverse Output (+)
White / Green	SWC Output



Installation Notes:

For the most current and up-to-date application guide please visit www.pac-audio.com

- Vehicles with or without a factory amplifier:** Connect the aftermarket radio's front and rear speaker wires to the 16 pin plug.
- The accessory output wire is located on the 11 pin CAN INTERFACE harness - connect this wire to the radio's accessory wire. The accessory wire supplies +12v, 1 amp max when key is in the accessory or ignition position (see fig. 1: If more current is needed).

3. 11 pin plug (to CAN INTERFACE):

- White/Green - SWC output.
- Green - Connect this wire to the radio's reverse input wire only.
- Orange/White - Connect this wire to the radio's Illumination input wire only.
- Violet/White - Connect this wire to the radio's VSS input wire only.
- Red/White - Connect this wire to the radio's parking brake input wire only.

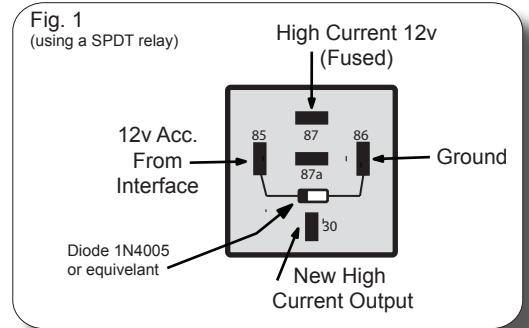
Please Note: The parking brake wire will output a neg (-) trigger at all times until the vehicle is moving at a speed of approximately 3 mph or faster.

Note: Do not connect these wires to any circuit other than the aftermarket radio's wire harness.

4. 11 pin plug (to SWC INTERFACE):

This is a quick connection to a radio specific SWC interface. No additional connections are necessary other than radio control connections. Plug the radio specific SWC interface in to this connector and program the radio specific SWC interface for version 2. Do not cut the loops. Refer to the SWC interface instruction manual for the radio specific control function programming order.

- Refer to the aftermarket radio's instruction manual for testing VSS, Reverse, Parking Brake and Illumination outputs.



Free Manuals Download Website

<http://myh66.com>

<http://usermanuals.us>

<http://www.somanuals.com>

<http://www.4manuals.cc>

<http://www.manual-lib.com>

<http://www.404manual.com>

<http://www.luxmanual.com>

<http://aubethermostatmanual.com>

Golf course search by state

<http://golfingnear.com>

Email search by domain

<http://emailbydomain.com>

Auto manuals search

<http://auto.somanuals.com>

TV manuals search

<http://tv.somanuals.com>