

# MATSUSHITA Compressor

## MODEL# DA57C84RCU6

Single Phase  
R-134a

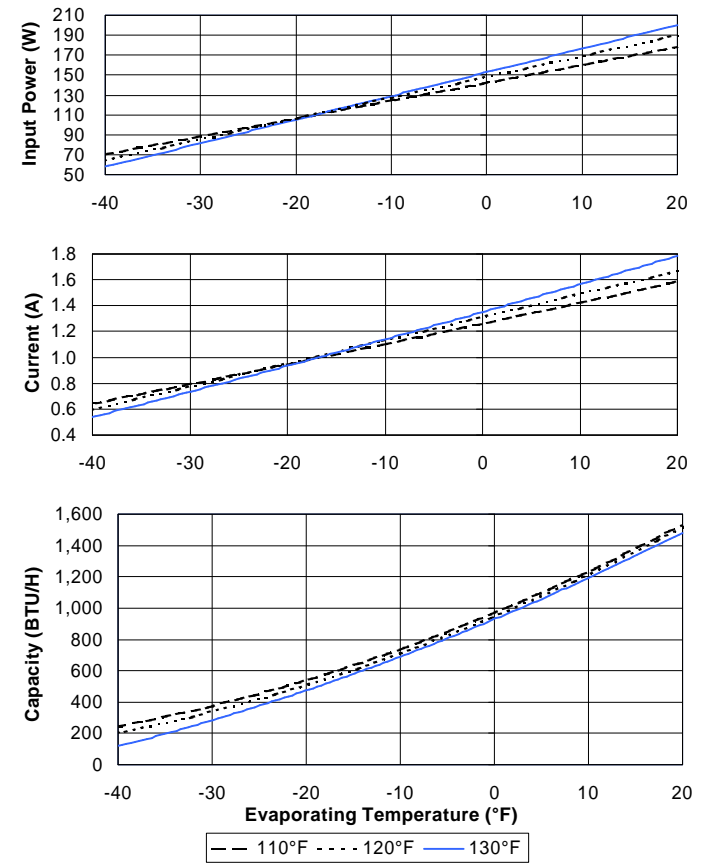
115 V  
60 Hz

Voltage Range . . . . . 103 Volts to 127 Volts @ 60 Hz  
 Application . . . . . Low Back Pressure  
 Compressor Cooling . . . . Static / Fan Cooling

Refrigerant Control . . Capillary Tube  
 Evaporator  
 Temp. Range . . . . . -31°F to 23°F / -35°C to -5°C

Rated Performance Data	
	Cond. Temp I*    Cond. Temp II*
Capacity . . . . .	690 Btu/h ±7%    761 Btu/h ±7%
E.E.R. . . . . .	5.35 Btu/Wh ±7%    6.19 Btu/Wh ±7%
Current . . . . .	1.14 Amps    1.08 Amps
Nominal Motor Data	
Motor Input . . . . .	129 Watts    123 Watts
Rated Current . . . . .	1.11 Amps
Type . . . . .	RSCR, PTC relay
Locked Rotor . . . . .	9.6 Amps
Start Current . . . . .	15.5 Amps
Coil Resistances	Run . . . . 4.64 Ohms @ 68°F (20°C)    Start . . . . 5.10 Ohms

### Performance Curves



### \*Test Conditions for Performance Specifications

Test Oil . . . . . ISO VG 10  
 Shell Temp . . . . . 150.0°F / 65.0°C  
 Condensing Temp . . . . . (I) 130.0°F / 54.4°C  
 . . . . . (II) 105.0°F / 40.6°C  
 Evaporating Temp . . . . -10.0°F / -23.3°C  
 Ambient Temp . . . . . 90.0°F / 32.2°C  
 Gas Superheat . . . . . 90.0°F / 32.2°C  
 Liquid Sub-Cooling . . . . 90.0°F / 32.2°C

### 9 - Point Data

Condensing Temp.	Rating	Evaporating Temp.		
		-30°F	-10°F	+10°F
130°F	Btu/h	284	690	1,193
	Watts	81	129	177
	Amps	0.73	1.14	1.57
	E.E.R.	3.49	5.35	6.76
120°F	Btu/h	338	710	1,214
	Watts	85	127	169
	Amps	0.77	1.13	1.49
	E.E.R.	3.96	5.59	7.19
110°F	Btu/h	375	737	1,234
	Watts	88	124	160
	Amps	0.79	1.10	1.42
	E.E.R.	4.25	5.94	7.71

### Electrical Accessories<sup>†</sup>

Overload Protector	
Nominal Operating Characteristics	
Model Name	4TM319MFBYY
Manufacturer	Texas Instruments
Temperature To . . . . .	Open: 239°F ± 9°F / 115°C ± 5°C Close: 142°F ± 16°F / 61°C ± 9°C
Trip Current . . . . .	@158°F (70°C) 2.7 Amps ± 7.5% @77°F (25°C) 12.9 Amps @ 18 sec. max.

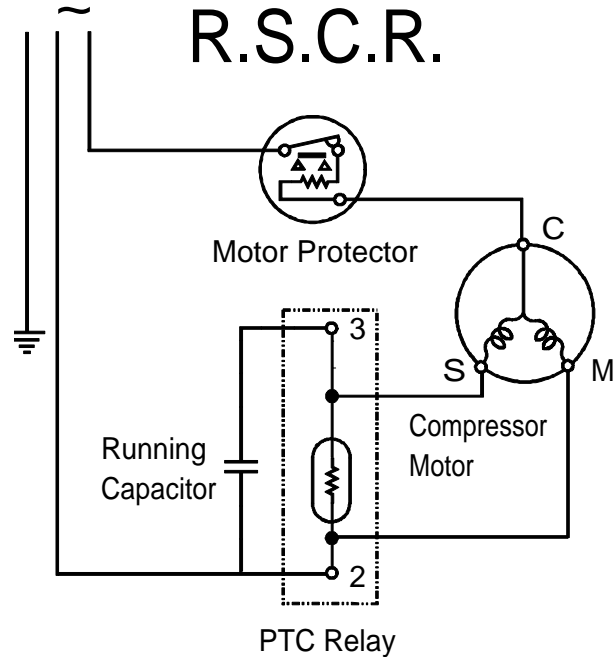
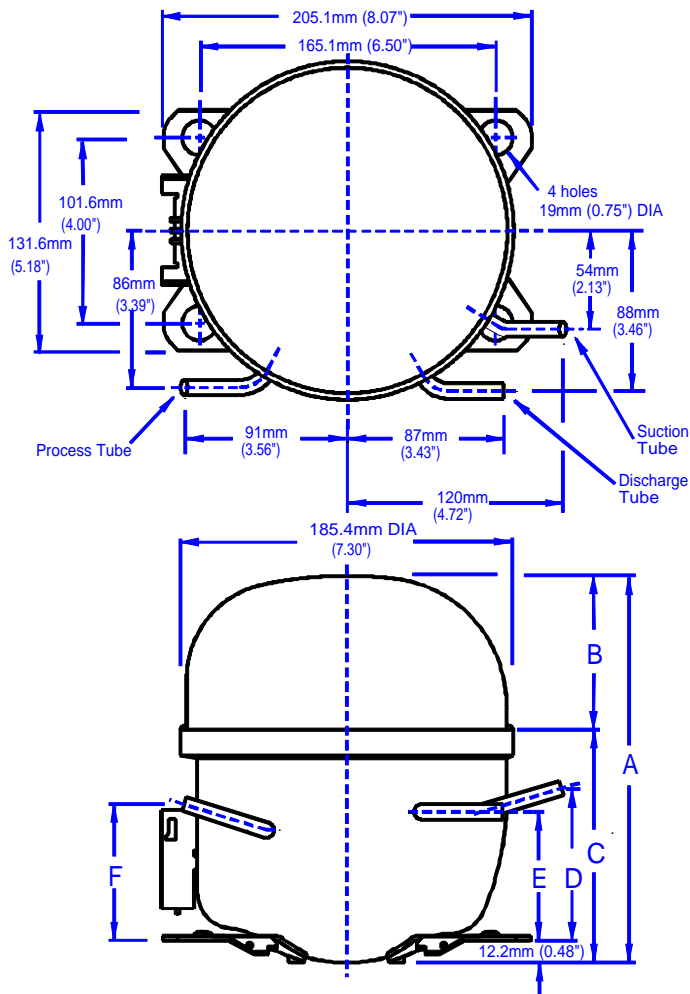
### P.T.C. Starting Device

Nominal Operating Characteristics

	PTH7M100MD2	PTH490D-AS100	
Model Name	PTH7M100MD2	PTH490D-AS100	
Manufacturer	Murata Mfg.	Murata Mfg.	
Base resistance			Ohms
@ 77°F(25°C) ±20%	10	10	
Power Consumption (max)	2.8	2.8	Watts
Operation time	0.45 to 1.35	0.45 to 1.35	seconds
Recovery time (max)	50	55	seconds

Run Capacitor    12 µF 180 V (min.)

†Although these accessories are listed by UL/CSA for use with this compressor, Matsushita assumes no responsibility whatsoever for these or any other components sourced by the refrigeration system manufacturer from third parties.



## Dimensions\*

	mm	inches
A	211.8	8.34
B	84.2	3.31
C	127.6	5.02
D	83.9	3.30
E	70.4	2.77
F	75.2	2.96

\* All dimensions are for reference only

This document sets forth certain operational parameters and conditions for operation of this product. If this product is operated outside of the parameters and conditions stated herein, buyer assumes sole and full responsibility and shall indemnify seller with respect to all product failures and all consequences thereof. Operation of the product outside of the parameters and conditions specified herein shall serve to invalidate all seller warranties, if any, with respect to the product. This document is for reference only. For specifications, please contact Panasonic's engineering department.

Tubes	Tube O.D.	Wall	Material
Suction	0.33 in. / 8.3 mm	0.035 in. / 0.9 mm	Copper
Process	0.33 in. / 8.3 mm	0.035 in. / 0.9 mm	Copper
Discharge	0.33 in. / 8.3 mm	0.035 in. / 0.9 mm	Copper

U.L. File # . . . . . SA 4615  
C.S.A. File #'s . . . . . LR - 36593

**General Data**

- Oil Charge . . . . . 250 cc ± 5 cc / 15.3 cu.in. ± 0.3 cu.in.
- Net Weight With Oil . . . . . 22.0 lbs, 10.0 kg
- Approved Oils:
  - FREOL . . . . . α 10, α 10E, α 15, α 15E, α 22, α 22E
  - ICI . . . . . RL10H, RL15H, RL22H
  - HENKEL . . . . . ProEco 10S, 15S, 22S
- Residual Moisture . . . . . 120 mg max.
- Impurities . . . . . 10 mg max.
- Displacement . . . . . 5.65 cc. / 0.345 cu. in.

## Free Manuals Download Website

<http://myh66.com>

<http://usermanuals.us>

<http://www.somanuals.com>

<http://www.4manuals.cc>

<http://www.manual-lib.com>

<http://www.404manual.com>

<http://www.luxmanual.com>

<http://aubethermostatmanual.com>

Golf course search by state

<http://golfingnear.com>

Email search by domain

<http://emailbydomain.com>

Auto manuals search

<http://auto.somanuals.com>

TV manuals search

<http://tv.somanuals.com>