

# MATSUSHITA Compressor

## MODEL# DA73C12RCU6

Single Phase  
R-134a

115 V  
60 Hz

Voltage Range . . . . . 103 Volts to 127 Volts @ 60 Hz  
Application . . . . . Low Back Pressure  
Compressor Cooling . . . . . Static / Fan Cooling

Refrigerant Control . . . . . Capillary Tube  
Evaporator  
Temp. Range . . . . . -31°F to 23°F / -35°C to -5°C

### Rated Performance Data

	Cond. Temp I*	Cond. Temp II*
Capacity . . . . .	881 Btu/h ±7%	973 Btu/h ±7%
E.E.R. . . . . .	5.34 Btu/Wh ±7%	6.20 Btu/Wh ±7%
Current . . . . .	1.53 Amps	1.45 Amps

### Nominal Motor Data

Motor Input . . . . .	165 Watts	157 Watts
Rated Current . . . . .	1.39 Amps	
Type . . . . .	RSCR, PTC relay	

Locked Rotor . . . . .	12.6 Amps
Start Current . . . . .	18.3 Amps
Coil Resistances	Run . . . . 3.26 Ohms
@ 68°F (20°C)	Start . . . . 5.29 Ohms

### \*Test Conditions for Performance Specifications

Test Oil . . . . .	ISO VG 10
Shell Temp . . . . .	150.0°F / 65.0°C
Condensing Temp . . . . .	(I) 130.0°F / 54.4°C
	(II) 105.0°F / 40.6°C
Evaporating Temp . . . . .	-10.0°F / -23.3°C
Ambient Temp . . . . .	90.0°F / 32.2°C
Gas Superheat . . . . .	90.0°F / 32.2°C
Liquid Sub-Cooling . . . . .	90.0°F / 32.2°C

### Electrical Accessories†

Overload Protector  
Nominal Operating Characteristics

Model Name	4TM419MFBYY
Manufacturer	Texas Instruments
Temperature To . . . . .	Open: 239°F ± 9°F / 115°C ± 5°C
	Close: 142°F ± 16°F / 61°C ± 9°C
Trip Current . . . . .	@ 158°F (70°C) 3.4 Amps ± 7.5%
	@ 77°F (25°C) 13.7 Amps @ 18 sec. max.

### P.T.C. Starting Device

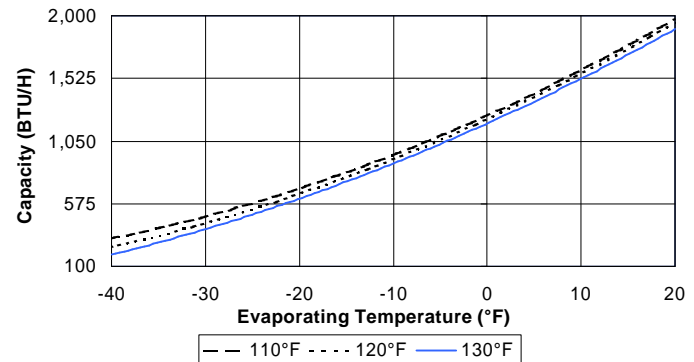
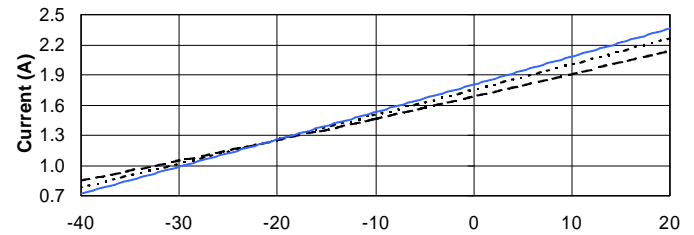
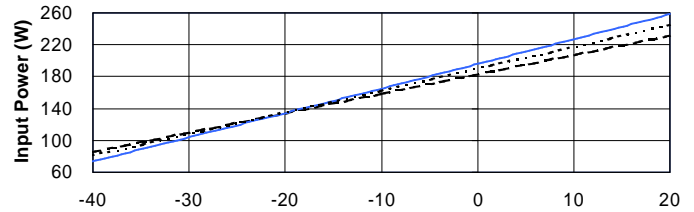
Nominal Operating Characteristics

Model Name	PTH490D-AS100	PTH7M100MD2	
Manufacturer	Murata Mfg.	Murata Mfg.	
Base resistance			
@ 77°F(25°C) ±20%	10	10	Ohms
Power Consumption (max)	2.8	2.8	Watts
Operation time	0.45 to 1.35	0.45 to 1.35	seconds
Recovery time (max)	55	50	seconds

Run Capacitor 12 µF 180 V (min.)

†Although these accessories are listed by UL/CSA for use with this compressor, Matsushita assumes no responsibility whatsoever for these or any other components sourced by the refrigeration system manufacturer from third parties.

### Performance Curves



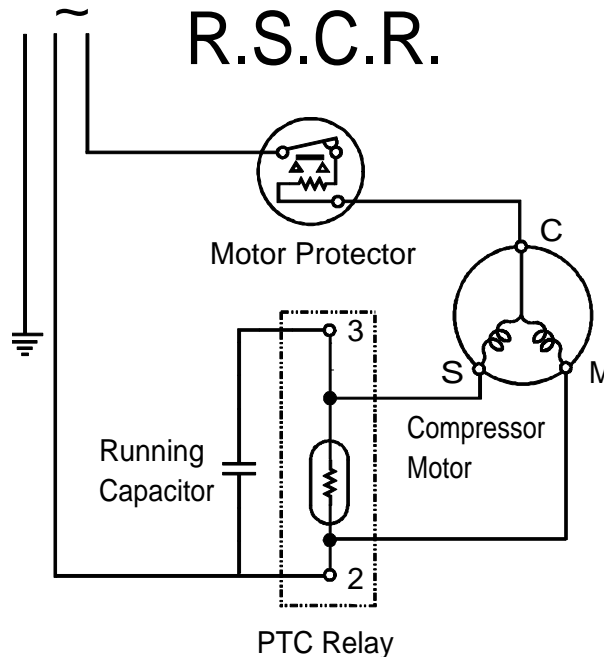
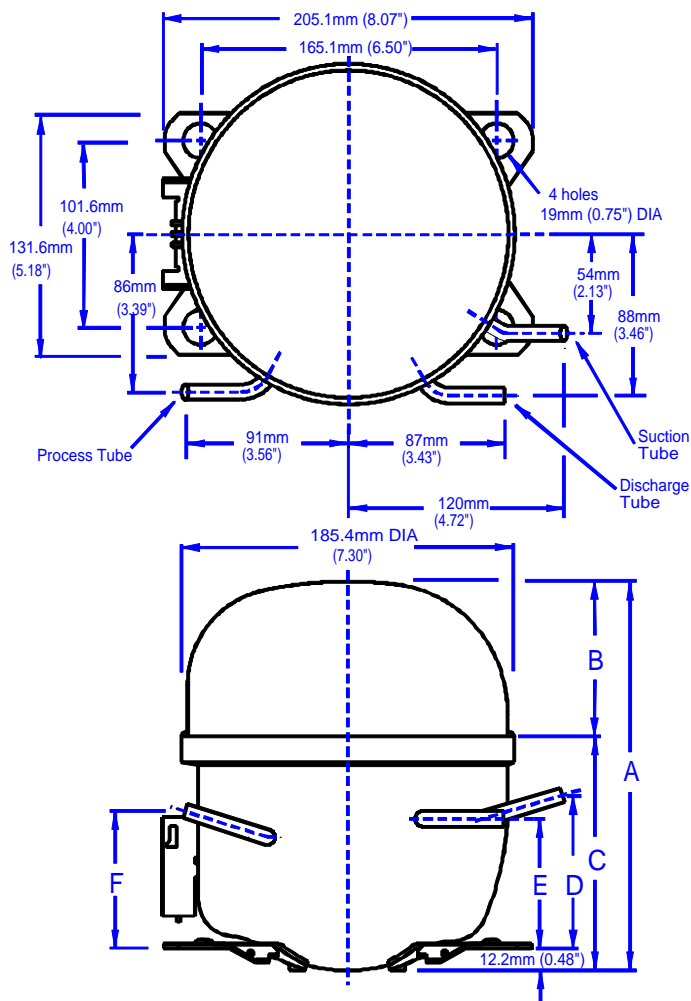
### 9 - Point Data

Condensing Temp.	Rating	Evaporating Temp.		
		-30°F	-10°F	+10°F
130°F	Btu/h	383	881	1,524
	Watts	104	165	227
	Amps	0.99	1.53	2.08
	E.E.R.	3.68	5.34	6.71
120°F	Btu/h	426	911	1,560
	Watts	108	162	217
	Amps	1.02	1.50	2.00
	E.E.R.	3.95	5.62	7.17
110°F	Btu/h	478	944	1,587
	Watts	110	158	207
	Amps	1.05	1.46	1.91
	E.E.R.	4.36	5.96	7.67



Panasonic Industrial Company  
Refrigeration Products Department  
Tel: 201 - 392 - 4249  
Fax: 201 - 392 - 4315

Rev#1-5/9



### Dimensions\*

	mm	inches
A	211.8	8.34
B	84.2	3.31
C	127.6	5.02
D	83.9	3.30
E	70.4	2.77
F	75.2	2.96

\* All dimensions are for reference only

This document sets forth certain operational parameters and conditions for operation of this product. If this product is operated outside of the parameters and conditions stated herein, buyer assumes sole and full responsibility and shall indemnify seller with respect to all product failures and all consequences thereof. Operation of the product outside of the parameters and conditions specified herein shall serve to invalidate all seller warranties, if any, with respect to the product. This document is for reference only. For specifications, please contact Panasonic's engineering department.

Tubes	Tube O.D.	Wall	Material
Suction	0.33 in. / 8.3 mm	0.035 in. / 0.9 mm	Copper
Process	0.33 in. / 8.3 mm	0.035 in. / 0.9 mm	Copper
Discharge	0.33 in. / 8.3 mm	0.035 in. / 0.9 mm	Copper

U.L. File # . . . . . SA 4615  
C.S.A. File #'s . . . . . LR - 36593

**General Data**

- Oil Charge . . 250 cc ± 5 cc / 15.3 cu.in. ± 0.3 cu.in.
- Net Weight With Oil . . . . . 22.0 lbs, 10.0 kg
- Approved Oils:
  - FREOL . . α 10, α 10E, α 15, α 15E, α 22, α 22E
  - ICI . . . . . RL10H, RL15H, RL22H
  - HENKEL . . . . . ProEco 10S, 15S, 22S
- Residual Moisture . . . . . 120 mg max.
- Impurities . . . . . 10 mg max.
- Displacement . . . . . 7.27 cc. / 0.444 cu. in.

## Free Manuals Download Website

<http://myh66.com>

<http://usermanuals.us>

<http://www.somanuals.com>

<http://www.4manuals.cc>

<http://www.manual-lib.com>

<http://www.404manual.com>

<http://www.luxmanual.com>

<http://aubethermostatmanual.com>

Golf course search by state

<http://golfingnear.com>

Email search by domain

<http://emailbydomain.com>

Auto manuals search

<http://auto.somanuals.com>

TV manuals search

<http://tv.somanuals.com>