

MATSUSHITA Compressor

MODEL# DA86C15RCU6

Single Phase
R-134a

115 V
60 Hz

Voltage Range 103 Volts to 127 Volts @ 60 Hz
Application Low Back Pressure
Compressor Cooling Static / Fan Cooling

Refrigerant Control Capillary Tube
Evaporator
Temp. Range -31°F to 23°F / -35°C to -5°C

Rated Performance Data

	Cond. Temp I*	Cond. Temp II*
Capacity	1,031 Btu/h ±7%	1,140 Btu/h ±7%
E.E.R.	5.31 Btu/Wh ±7%	6.20 Btu/Wh ±7%
Current	1.76 Amps	1.67 Amps

Nominal Motor Data

Motor Input	194 Watts	184 Watts
Rated Current	1.92 Amps	
Type	RSCR, PTC relay	

Locked Rotor	16.1 Amps
Start Current	23.1 Amps
Coil Resistances	Run 2.51 Ohms
@ 68°F (20°C)	Start 5.46 Ohms

*Test Conditions for Performance Specifications

Test Oil	ISO VG 10
Shell Temp	170.0°F / 76.0°C
Condensing Temp	(I) 130.0°F / 54.4°C
	(II) 105.0°F / 40.6°C
Evaporating Temp	-10.0°F / -23.3°C
Ambient Temp	90.0°F / 32.2°C
Gas Superheat	90.0°F / 32.2°C
Liquid Sub-Cooling	90.0°F / 32.2°C

Electrical Accessories†

Overload Protector

Nominal Operating Characteristics

Model Name	4TM758NFBYY
Manufacturer	Texas Instruments
Temperature To	Open: 248 °F ± 9°F / 120°C ± 5°C
	Close: 142°F ± 20°F / 61°C ± 11°C
Trip Current	@ 158°F (70°C) 4.1 Amps ± 7.5%
	@ 77°F (25°C) 12.0 Amps @ 18 sec. max.

P.T.C. Starting Device

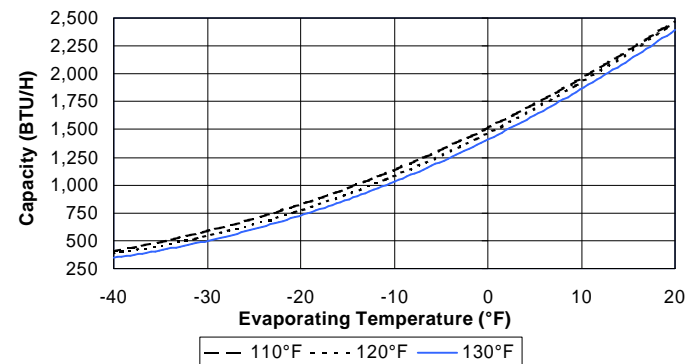
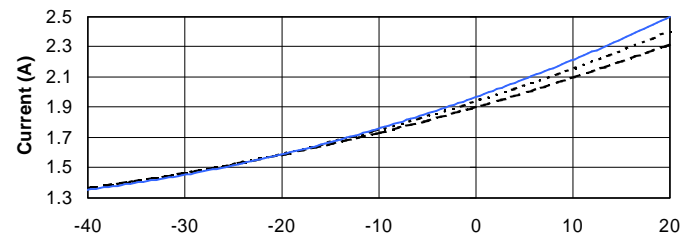
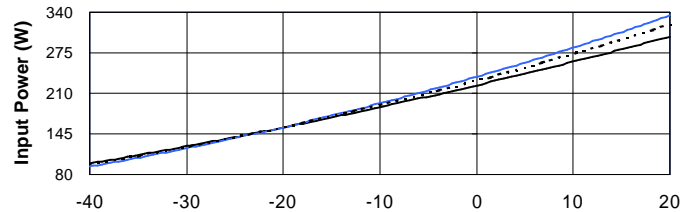
Nominal Operating Characteristics

Model Name	PTH490D-AS6R8	
Manufacturer	Murata Mfg	
Base resistance		
@ 77°F(25°C) ±20%	6.8	Ohms
Power Consumption (max)	3.5	Watts
Operation time	1.0 to 2.7	seconds
Recovery time (max)	65	seconds

Run Capacitor 15 µF 180 V (min.)

†Although these accessories are listed by UL/CSA for use with this compressor, Matsushita assumes no responsibility whatsoever for these or any other components sourced by the refrigeration system manufacturer from third parties.

Performance Curves



9 - Point Data

Condensing Temp.	Rating	Evaporating Temp.		
		-30°F	-10°F	+10°F
130°F	Btu/h	500	1,031	1,864
	Watts	122	194	283
	Amps	1.45	1.76	2.21
	E.E.R.	4.09	5.31	6.58
120°F	Btu/h	542	1,080	1,923
	Watts	124	191	273
	Amps	1.46	1.75	2.16
	E.E.R.	4.36	5.66	7.04
110°F	Btu/h	583	1,135	1,958
	Watts	125	188	261
	Amps	1.46	1.73	2.10
	E.E.R.	4.66	6.04	7.51

Panasonic®

Panasonic Industrial Company
Refrigeration Products Department
Tel: 201 - 392 - 4249
Fax: 201 - 392 - 4315

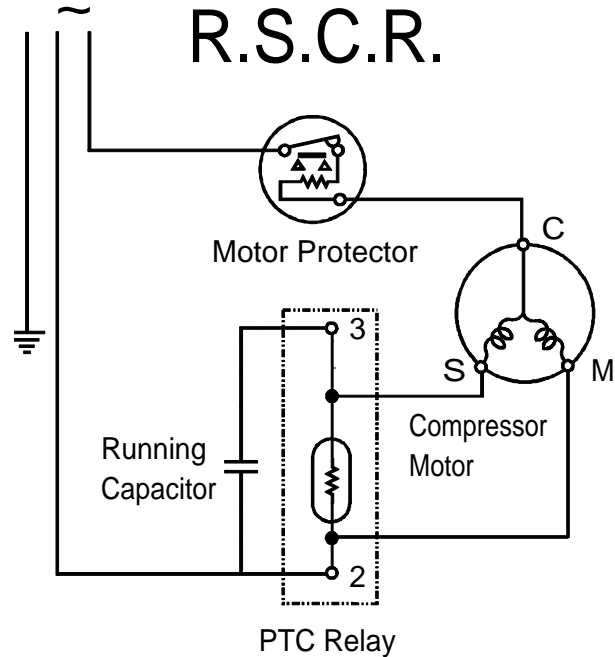
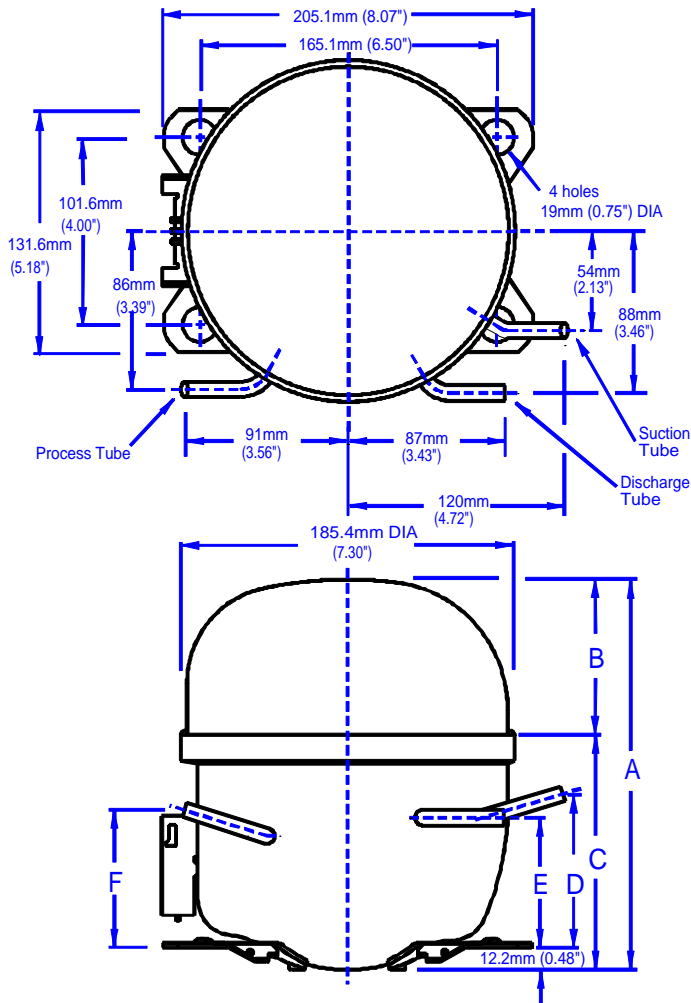
Rev#1-5/9

MATSUSHITA Compressor

MODEL# DA86C15RCU6

Single Phase
R-134a

115 V
60 Hz



Dimensions*

	mm	inches
A	220.8	8.69
B	93.2	3.67
C	127.6	5.02
D	83.9	3.30
E	70.4	2.77
F	75.2	2.96

* All dimensions are for reference only

This document sets forth certain operational parameters and conditions for operation of this product. If this product is operated outside of the parameters and conditions stated herein, buyer assumes sole and full responsibility and shall indemnify seller with respect to all product failures and all consequences thereof. Operation of the product outside of the parameters and conditions specified herein shall serve to invalidate all seller warranties, if any, with respect to the product. This document is for reference only. For specifications, please contact Panasonic's engineering department.

Tubes	Tube O.D.	Wall	Material
Suction	0.33 in. / 8.3 mm	0.035 in. / 0.9 mm	Copper
Process	0.33 in. / 8.3 mm	0.035 in. / 0.9 mm	Copper
Discharge	0.33 in. / 8.3 mm	0.035 in. / 0.9 mm	Copper

U.L. File # SA 4615
C.S.A. File #'s LR - 36593

General Data

- Oil Charge 250 cc ± 5 cc / 15.3 cu.in. ± 0.3 cu.in.
- Net Weight With Oil 23.1 lbs, 10.5 kg
- Approved Oils:
 - FREOL α 10, α 10E, α 15, α 15E, α 22, α 22E
 - ICI RL10H, RL15H, RL22H
 - HENKEL ProEco 10S, 15S, 22S
- Residual Moisture 120 mg max.
- Impurities 10 mg max.
- Displacement 8.56 cc. / 0.522 cu. in.

Panasonic®

Panasonic Industrial Company
Refrigeration Products Department
Tel: 201 - 392 - 4249
Fax: 201 - 392 - 4315

Rev#1-5/9

Free Manuals Download Website

<http://myh66.com>

<http://usermanuals.us>

<http://www.somanuals.com>

<http://www.4manuals.cc>

<http://www.manual-lib.com>

<http://www.404manual.com>

<http://www.luxmanual.com>

<http://aubethermostatmanual.com>

Golf course search by state

<http://golfingnear.com>

Email search by domain

<http://emailbydomain.com>

Auto manuals search

<http://auto.somanuals.com>

TV manuals search

<http://tv.somanuals.com>