

MATSUSHITA Compressor

MODEL# DD51C78GBU6

Single Phase
R-134a

115 V
60 Hz

Voltage Range 103 Volts to 127 Volts @ 60 Hz
Application Low Back Pressure
Compressor Cooling Fan Cooling

Refrigerant Control . . . Capillary Tube
Evaporator
Temp. Range -31°F to 23°F / -35°C to -5°C

Rated Performance Data

	Cond. Temp I*	Cond. Temp II*
Capacity	604 Btu/h ±7%	669 Btu/h ±7%
E.E.R.	4.48 Btu/Wh ±7%	5.23 Btu/Wh ±7%
Current	1.64 Amps	1.56 Amps

Nominal Motor Data

Motor Input	135 Watts	128 Watts
Rated Current	1.70 Amps	
Type	RSCR, PTC relay	

Locked Rotor	9.7 Amps
Start Current	17.4 Amps
Coil Resistances	Run . . . 5.47 Ohms
@ 68°F (20°C)	Start . . . 5.28 Ohms

*Test Conditions for Performance Specifications

Test Oil	ISO VG 10
Shell Temp	170.0°F / 76.0°C
Condensing Temp	(I) 130.0°F / 54.4°C
	(II) 105.0°F / 40.6°C
Evaporating Temp	-10.0°F / -23.3°C
Ambient Temp	90.0°F / 32.2°C
Gas Superheat	90.0°F / 32.2°C
Liquid Sub-Cooling	90.0°F / 32.2°C

Electrical Accessories†

Overload Protector

Nominal Operating Characteristics

Model Name	4TM319MFBYY
Manufacturer	Texas Instruments
Temperature To	Open: 239°F ± 9°F / 115°C ± 5°C
	Close: 142°F ± 16°F / 61°C ± 9°C
Trip Current	@ 158°F (70°C) 2.70 Amps ± 7.5%
	@ 77°F (25°C) 12.0 Amps @ 18 sec. max.

P.T.C. Starting Device

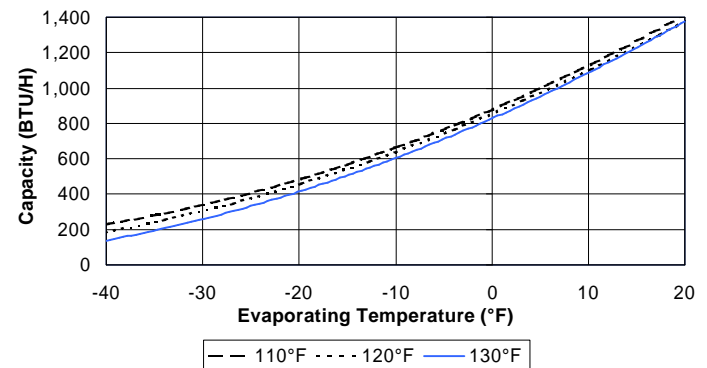
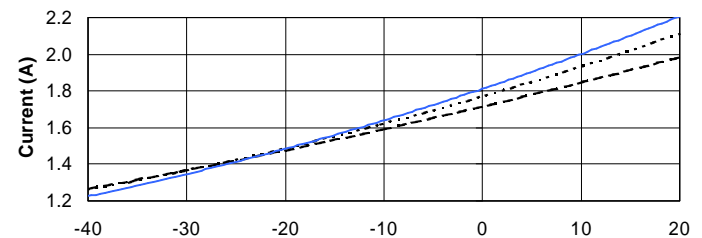
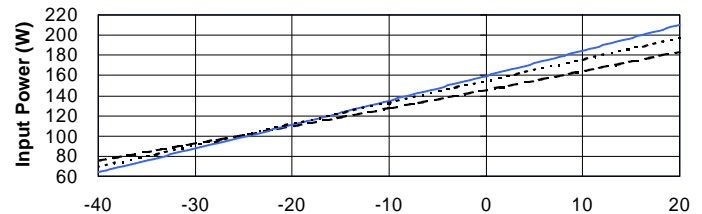
Nominal Operating Characteristics

Model Name	PTH490C-AS6R8	
Manufacturer	Murata Mfg.	
Base resistance		
@ 77°F(25°C) ±20%	6.8	Ohms
Power Consumption (max)	3.5	Watts
Operation time	1.0 to 2.7	seconds
Recovery time (max)	65	seconds

Run Capacitor — μF — V

†Although these accessories are listed by UL/CSA for use with this compressor, Matsushita assumes no responsibility whatsoever for these or any other components sourced by the refrigeration system manufacturer from third parties.

Performance Curves

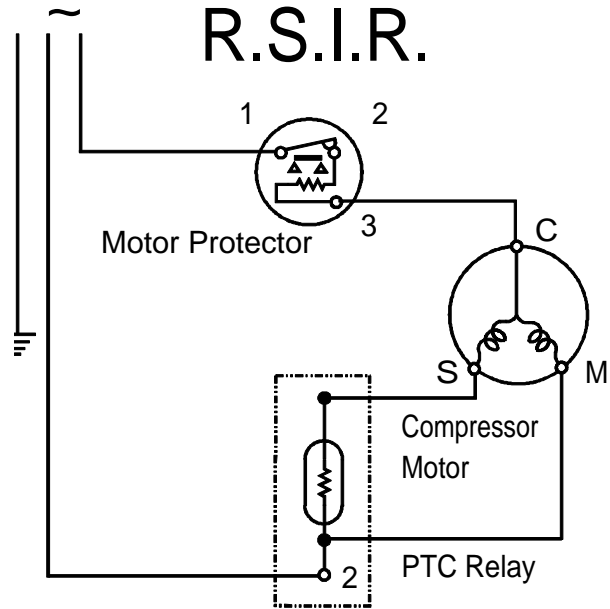
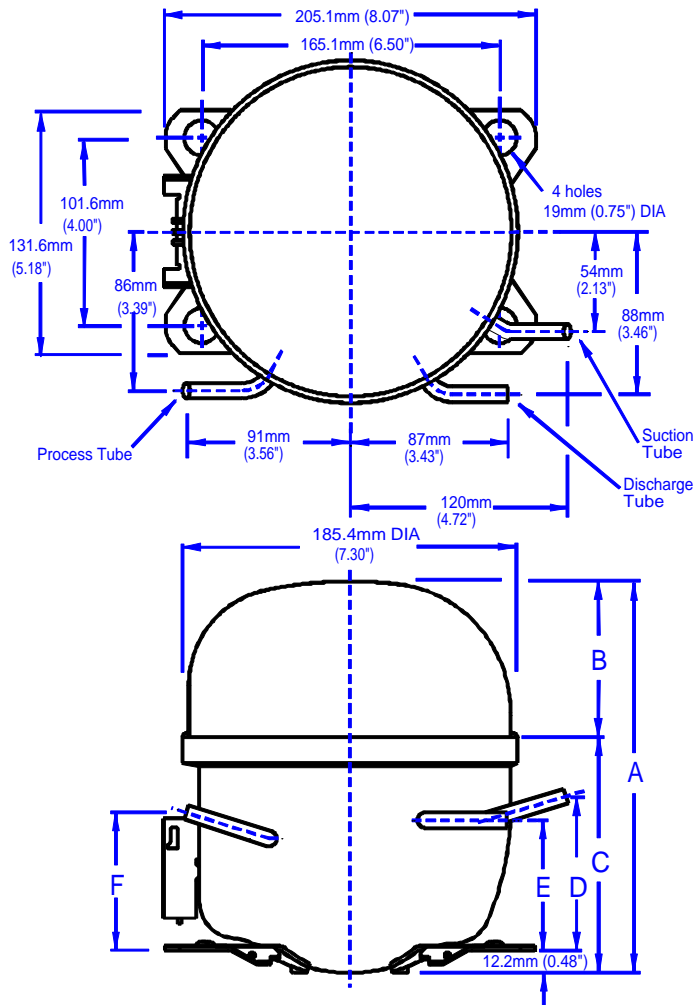


9 - Point Data

		Evaporating Temp.		
Condensing Temp.	Rating	-30°F	-10°F	+10°F
130°F	Btu/h	259	604	1,086
	Watts	87	135	185
	Amps	1.35	1.64	2.00
	E.E.R.	2.96	4.48	5.89
120°F	Btu/h	304	638	1,099
	Watts	90	133	176
	Amps	1.37	1.62	1.93
	E.E.R.	3.37	4.79	6.25
110°F	Btu/h	338	662	1,127
	Watts	92	127	164
	Amps	1.37	1.59	1.85
	E.E.R.	3.66	5.20	6.87

Panasonic Industrial Company
Refrigeration Products Department
Tel: 201 - 392 - 4249
Fax: 201 - 392 - 4315

Rev#1-5/9



Dimensions*

	mm	inches
A	201.0	7.91
B	73.4	2.89
C	127.6	5.02
D	83.9	3.30
E	70.4	2.77
F	75.2	2.96

* All dimensions are for reference only

This document sets forth certain operational parameters and conditions for operation of this product. If this product is operated outside of the parameters and conditions stated herein, buyer assumes sole and full responsibility and shall indemnify seller with respect to all product failures and all consequences thereof. Operation of the product outside of the parameters and conditions specified herein shall serve to invalidate all seller warranties, if any, with respect to the product. This document is for reference only. For specifications, please contact Panasonic's engineering department.

Tubes	Tube O.D.	Wall	Material
Suction	0.33 in. / 8.3 mm	0.035 in. / 0.9 mm	Copper
Process	0.33 in. / 8.3 mm	0.035 in. / 0.9 mm	Copper
Discharge	0.33 in. / 8.3 mm	0.035 in. / 0.9 mm	Copper

U.L. File # SA 4615

C.S.A. File #'s LR - 36593

General Data Oil Charge . . 250 cc ± 5 cc / 15.3 cu.in. ± 0.3 cu.in.

Net Weight With Oil 18.3 lbs, 8.3 kg

Approved Oils:

FREOL . . α 10, α 10E, α 15, α 15E, α 22, α 22E

ICI RL10H, RL15H, RL22H

HENKEL ProEco 10S, 15S, 22S

Residual Moisture 120 mg max.

Impurities 10 mg max.

Displacement 5.10 cc. / 0.311 cu. in.

Free Manuals Download Website

<http://myh66.com>

<http://usermanuals.us>

<http://www.somanuals.com>

<http://www.4manuals.cc>

<http://www.manual-lib.com>

<http://www.404manual.com>

<http://www.luxmanual.com>

<http://aubethermostatmanual.com>

Golf course search by state

<http://golfingnear.com>

Email search by domain

<http://emailbydomain.com>

Auto manuals search

<http://auto.somanuals.com>

TV manuals search

<http://tv.somanuals.com>