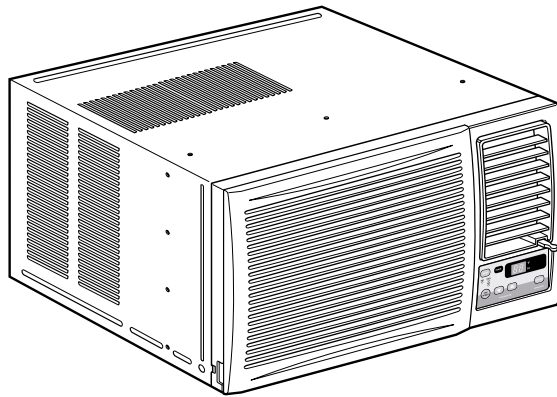


Panasonic®

Room Air Conditioner

INSTALLATION AND OPERATING INSTRUCTIONS

Models: **CW-XC100HU, CW-XC120HU**



Please read these operating instructions thoroughly before using your air conditioner and keep for future reference.

For U.S. customers:

For assistance, please call: 1-800-211-PANA(7262) or

Register your product at : <http://www.panasonic.com/register>

Safety Precautions

Safety Precautions3

About the Controls on the Air Conditioner

Controls5
 Ventilation7
 Air Direction7
 How to Secure Drain Pipe..7

Care and Maintenance

Air Filter Cleaning.....8
 How to Insert Batteries.....8

Features

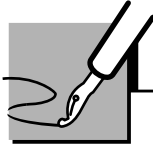
Features9

Installation

How to Install the Unit10
 Window Requirements10
 Installation Kit Contents.....11
 Suggested Tool Requirements.....11
 Cabinet Installation.....12
 Electrical Data14
 Electrical Safety15

Before you call for service...

Normal Operation16
 Abnormal Operation16



FOR YOUR RECORDS

Write the model and serial numbers here:

Model #

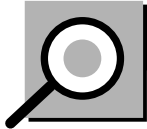
Serial #

You can find them on a label on the side of the unit.

Dealer's Name

Date Purchased

Staple your receipt here for proof of purchase.



READ THIS MANUAL

Inside you will find many helpful hints on how to use and maintain your air conditioner properly. Just a little preventive care on your part can save you a great deal of time and money over the life of your air conditioner.

You'll find many answers to common problems in the chart of troubleshooting tips. If you review our chart of **Troubleshooting Tips** first, you may not need to call for service at all.



CAUTION



- Contact the authorized Service technician for repair or maintenance of this unit.
- The air conditioner is not intended for use by young children or infirm persons without supervision.
- Young children should be supervised to ensure that they do not play with the air conditioner.





Safety Precautions

To prevent injury to the user or other people and property damage, the following instructions must be followed.

■ Incorrect operation due to ignoring of instruction will cause harm or damage. The seriousness is classified by the following indications.

	WARNING : This symbol indicates the possibility of death or serious injury.
	CAUTION : This symbol indicates the possibility of injury or damage to property only.

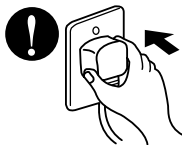
■ Meanings of symbols used in this manual are as shown below.

	Be sure not to do this.
	Be sure to follow the instructions.

WARNING

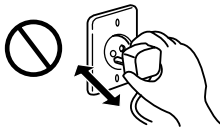
Plug in the power plug properly.

- Otherwise, it will cause electric shock or fire due to heat generation.



Do not operate or stop the unit by inserting or pulling out the power plug.

- It will cause electric shock or fire due to heat generation.



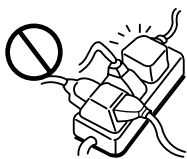
Do not damage or use an unspecified power cord.

- It will cause electric shock or fire.
- If the power cord is damaged, it must be replaced by the manufacturer or an authorized service center or a similarly qualified person in order to avoid a hazard.



Do not modify power cord length or share the outlet with other appliances.

- It will cause electric shock or fire due to heat generation.



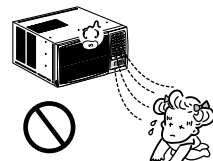
Do not operate with wet hands or in a damp environment.

- It will cause electric shock.



Do not direct airflow at room occupants.

- This could damage your health.

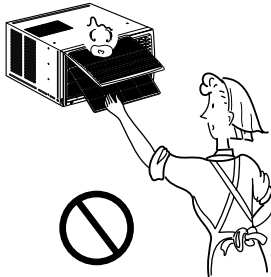




CAUTION

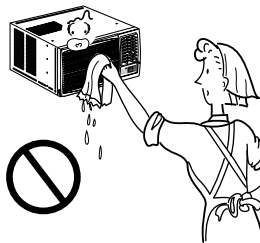
When the air filter is to be removed, do not touch the metal parts of the unit.

- It may cause an injury.



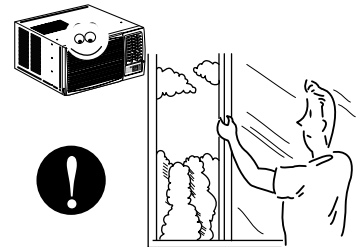
Do not clean the air conditioner with water.

- Water may enter the unit and degrade the insulation. It may cause an electric shock.



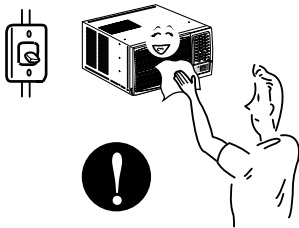
Ventilate well when used together with a stove, etc.

- An oxygen shortage may occur.



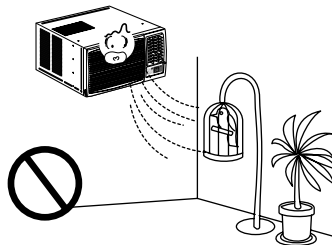
When the unit is to be cleaned, switch off, and turn off the breaker.

- Since the fan rotates at high speed during operation, it may cause an injury.



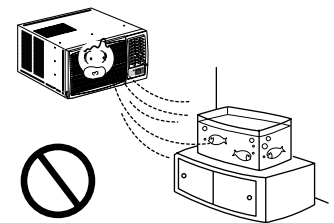
Do not put a pet or house plant where it will be exposed to direct air flow.

- This could injure the pets or plants.



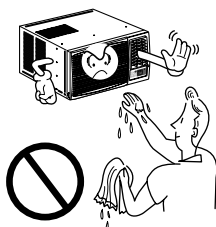
Do not use for special purposes.

- Do not use this air conditioner to preserve precision devices, food, pets, plants, and art objects. It may cause deterioration of quality, etc.



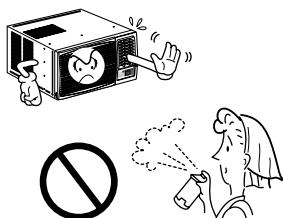
Do not operate switches with wet hands.

- It may cause an electric shock.



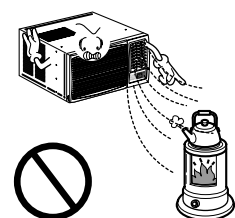
Do not apply an insecticide or flammable spray.

- It may cause a fire or deformation of the cabinet.



Do not put a heater, etc. where it is exposed to direct air flow.

- It may cause imperfect combustion.

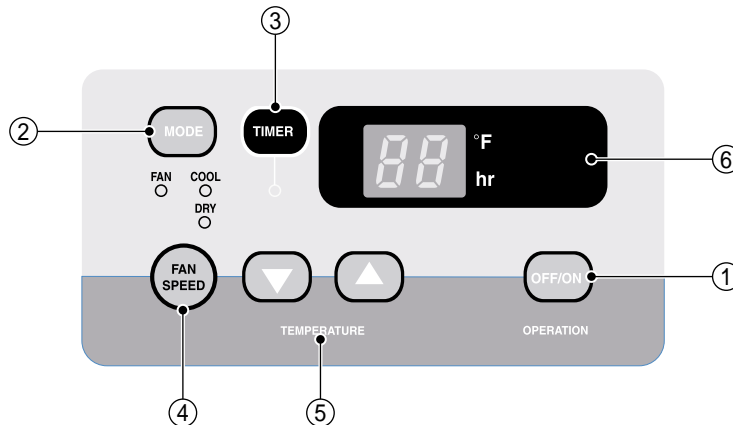


About the Controls on the Air Conditioner



Controls

Models: CW-XC100HU
CW-XC120HU



① OPERATION

- To turn the air conditioner ON, push the OFF/ON button.
To turn the air conditioner OFF, push the button again.
- This button takes priority over any other buttons.
- When you first turn it on, the air conditioner is on the High cool mode and the temp. at 72°F (22°C).

② MODE

- Every time you push this button, it will toggle between COOL, FAN and DRY.

③ ON/OFF TIMER

- Every time you push the TIMER button, timer is set as follows. (1Hour → 2Hours → 3Hours → 4Hours → 5Hours → 6Hours → 7Hours → 8Hours → 9Hours → 10Hours → 11Hours → 12Hours → 0)
- The Setting Temperature will be raised by 2°F (1°C) 30 min. later and by 2°F (1°C) after another 30 min.

④ FAN SPEED

- Every time you push this button it is set as follows. {High(F3) → Low(F1) → Med(F2) → High(F3)...}.

⑤ TEMPERATURE SETTING

- This button can automatically control the temperature of the room. The temperature can be set within a range of 60°F to 86°F by 1°F (16°C to 30°C by 1°C). Select the lower number for lower temperature of the room.

⑥ REMOTE CONTROL SIGNAL RECEIVER

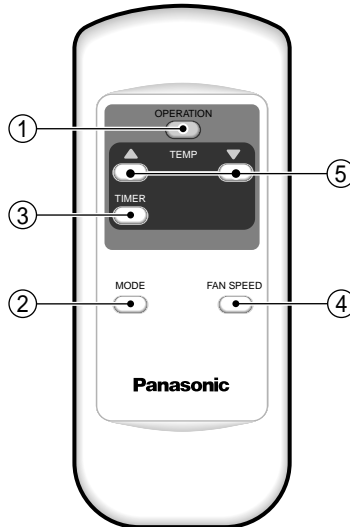
⑦ DRY

- When this unit is in dry mode, the fan rotates in low speed. The fan stops when the compressor stops cooling. Approximately every 3 minutes the fan will turn on and the unit checks the room air temperature to set itself.

Remote controller

Precaution: The Remote Controller will not function properly if strong light strikes the sensor window of the air conditioner or if there are obstacles between the Remote Controller and the air conditioner.

Models: CW-XC100HU, CW-XC120HU



① OPERATION

- To turn the air conditioner ON, push the button. To turn the air conditioner OFF, push the button again.
- This button takes priority over any other buttons.
- When you first turn it on, the air conditioner is on the High cool mode and the temp. at 72°F(22°C).

② MODE

- Every time you push this button, it will toggle between COOL, FAN and DRY.

③ ON/OFF TIMER

- STOPPING OPERATION
- Every time you push this button, when the air conditioner is operating, timer is set as follows. (1Hour → 2Hours → 3Hours → 4Hours → 5Hours → 6Hours → 7Hours → 8Hours → 9Hours → 10Hours → 11Hours → 12Hours → O).
- The Setting Temperature will be raised by 2°F (1°C) 30 min. later and by 2°F (1°C) after another 30 min.

- STARTING OPERATION

- Every time you push this button, when the air conditioner is not operating, timer is set as follows. (1Hour → 2Hours → 3Hours → 4Hours → 5Hours → 6Hours → 7Hours → 8Hours → 9Hours → 10Hours → 11Hours → 12Hours → O)

④ FAN SPEED

- Every time you push this button it is set as follows. {High(F3) → Low(F1) → Med(F2) → High(F3)...}.

⑤ TEMPERATURE SETTING

- This button can automatically control the temperature of the room. The temperature can be set within a range of 60°F to 86°F by 1°F(16°C to 30°C by 1°C). Select the lower number for lower temperature of the room.

Additional controls and important information.

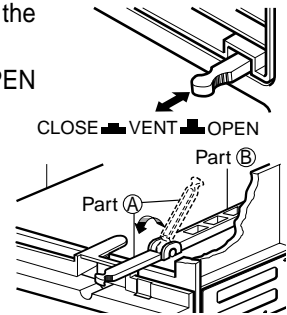
Ventilation

The ventilation lever must be in the CLOSE position in order to maintain the best cooling conditions.

When fresh air is necessary in the room, set the ventilation lever to the OPEN position.

The damper is opened and room air is drawn out.

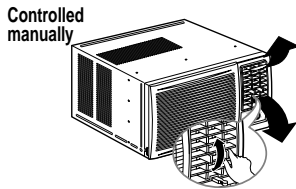
NOTE: Before using the ventilation feature, and prior to installing the front grille, pull down part (A) until level with part (B).



Air Direction

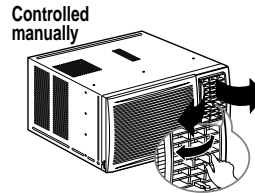
The direction of air can be controlled wherever you want to cool by adjusting the horizontal louver and the vertical louver.

• VERTICAL AIR-DIRECTION CONTROL



The vertical air direction is adjusted by rotating the horizontal louver forward or backward manually.

• HORIZONTAL AIR-DIRECTION CONTROL



The horizontal air direction is adjusted by rotating the vertical louver right or left manually or by Remote Controller.

How to Secure the Drain Pipe

In humid weather, excess water may cause the BASE PAN to overflow. To drain the water, remove the DRAIN CAP and secure the DRAIN PIPE to the rear hole of the BASE PAN. Press the drain pipe into the hole by pushing down and away from the fins to avoid injury. (See Fig.1)

Optional (CW3H02502B)

1. Remove the rubber plug and slide the chassis out from the cabinet. (See Fig. 2)
2. Install the drain pan over the corner of the cabinet where you removed the plug with 4 (or 2) screws. (See Fig.3)
3. Connect the drain hose to the outlet located at the bottom of the drain pan. You can purchase the drain hose or tubing locally to satisfy your particular needs. (Drain hose is not supplied). (See Fig.3)
4. Select the most appropriate connection from among the figures to the right (by considering the hole of the unit) to fit drain pan to your own unit. (See Fig.3)
5. Slide the chassis back into the cabinet. Reinstall the cabinet screws. Secure the cabinet to chassis by using screws. (See Fig.4)

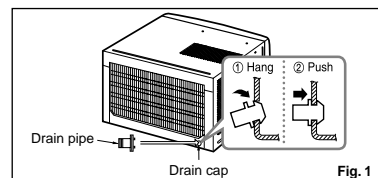


Fig. 1

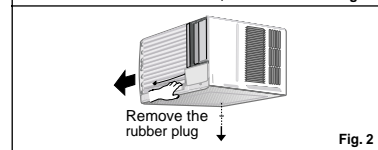


Fig. 2

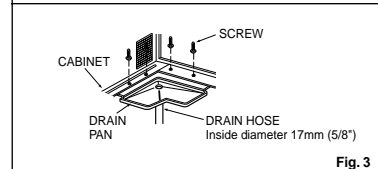


Fig. 3

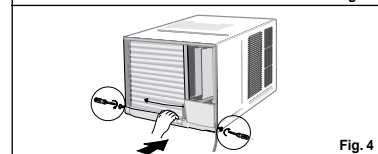


Fig. 4

Care and Maintenance

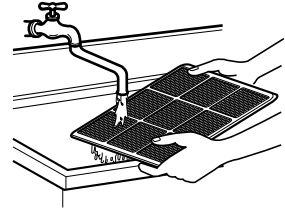
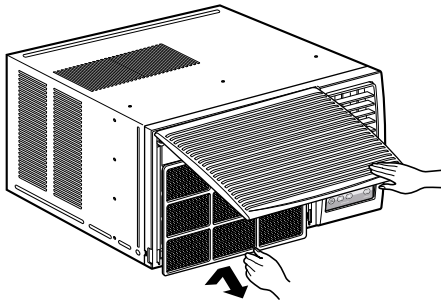
TURN THE AIR CONDITIONER OFF AND REMOVE THE PLUG FROM THE POWER OUTLET.

Air Filter Cleaning

The air filter behind the front grille should be checked and cleaned at least once every 2 weeks or more often if necessary.

TO REMOVE:

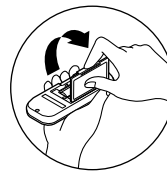
1. Open the inlet grille upward by pulling out the bottom of the inlet grille or downward by pulling out the top of the inlet grille.
2. Using the tab, pull up slightly on the filter to release it and pull it down or up.
3. Clean the filter with warm, soapy water under 40°C (104°F).
4. Rinse and gently shake the water from the filter and let it dry before replacing it.



CAUTION: DO NOT operate the air conditioner without a filter because dirt and lint will clog it and reduce performance.

HOW TO INSERT BATTERIES

1. Remove the cover from the back of the remote controller.
2. Insert two AAA dry cell batteries.
 - Be sure that the (+) and (-) directions are correct.
 - Be sure that both batteries are new.
3. Re-attach the cover.

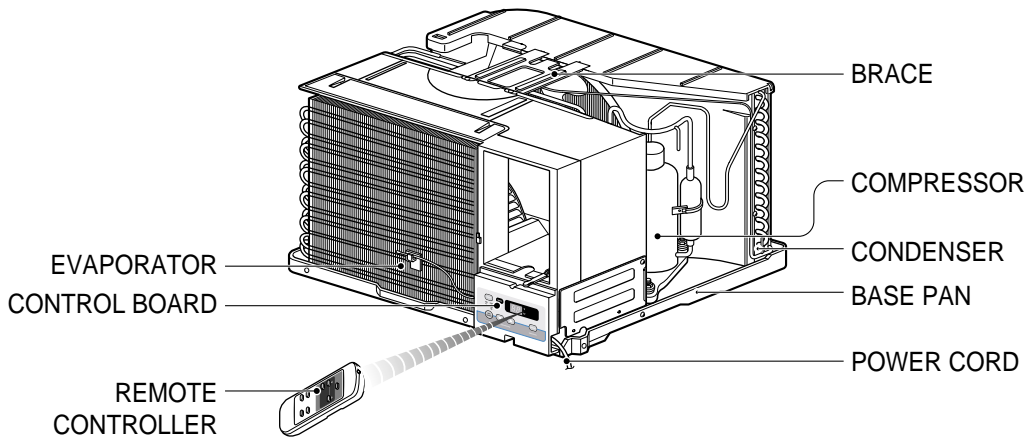
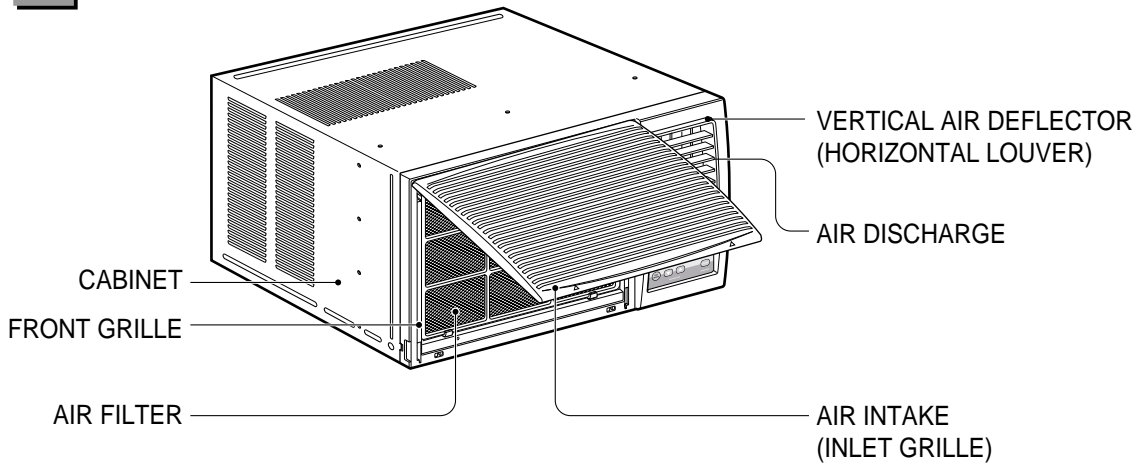


- Do not use rechargeable batteries. Such batteries differ from standard dry cells in shape, dimensions, and performance.
- Remove the batteries from the remote controller if the air conditioner is not going to be used for an extended length of time.

Features

Learning parts name prior to installation will help you understand the installation procedure.

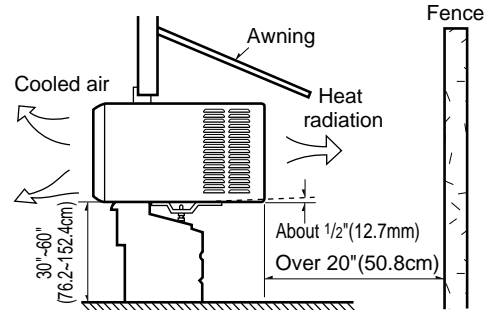
Features



Installation

How to Install the Unit

1. To prevent vibration and noise, make sure the unit is installed securely and firmly
2. Install the unit where the sunlight does not shine directly on the unit.
3. The outside of the cabinet must extend outward for at least 12" (30.5cm) and there should be no obstacles, such as a fence or wall, within 20" (50.8cm) from the back of the cabinet because it will prevent heat radiation of the condenser. Restriction of outside air will greatly reduce the cooling efficiency of the air conditioner.



CAUTION: All side louvers of the cabinet must remain exposed to the outside of the structure.

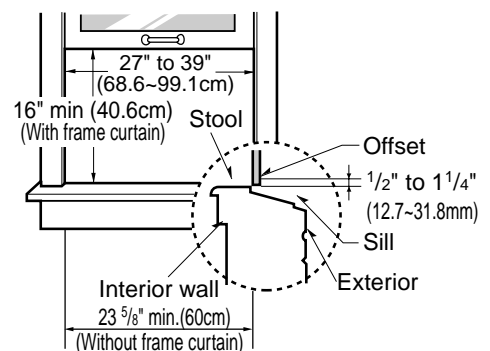
4. Install the unit a little slanted so the back is slightly lower than the front (about 1/2" (12.7mm)). This will force condensed water to flow to the outside.
5. Install the unit with the bottom about 30"~60" (76.2~152.4cm) above the floor level.

Window Requirements

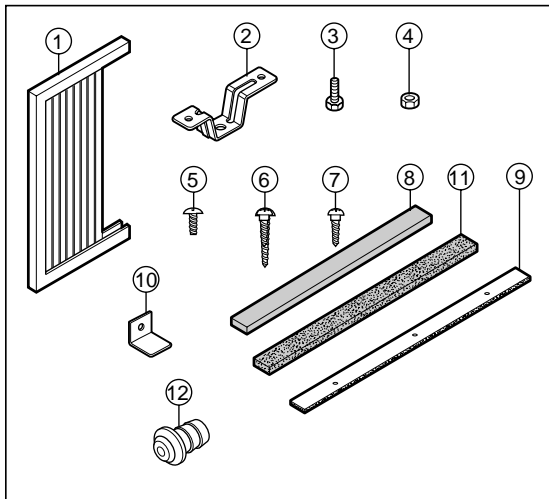
NOTE: All supporting parts should be secured to firm wood, masonry, or metal.

This unit is designed for installation in standard double hung windows with actual opening widths from 27" to 39" (68.6~99.1cm).

The top and bottom window sash must open sufficiently to allow a clear vertical opening of 16" (40.6cm) from the bottom of the upper sash to the window stool.

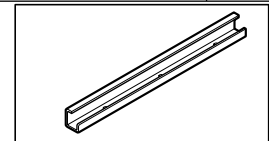


Installation Kits Contents



NO.	NAME OF PARTS	Q'TY
1	FRAME CURTAIN	2
2	SILL SUPPORT	2
3	BOLT	2
4	NUT	2
5	SCREW(TYPE A) (10mm (25/64"))	16
6	SCREW(TYPE B) D5.1mm (3/16")/16mm (5/8")	3
7	SCREW(TYPE C) D4.1mm (5/32")/16mm (5/8")	5
8	FOAM-STRIP	1
9	FOAM-PE (600mm x 25mm x 2mm)	1
10	WINDOW LOCKING BRACKET	1
11	FOAM-PE (920mm x 30mm x 2mm)	1
12	DRAIN PIPE	1

■ Top retainer bar is in the product package.

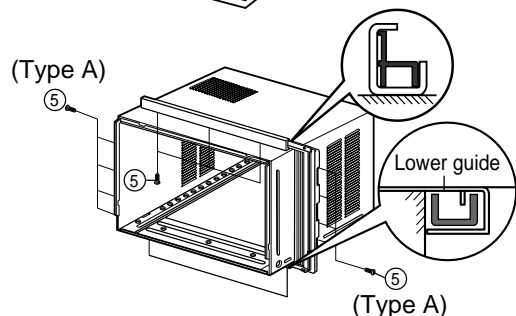
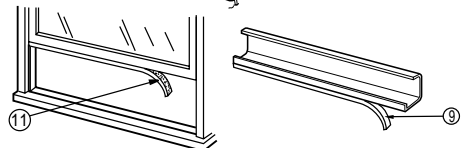
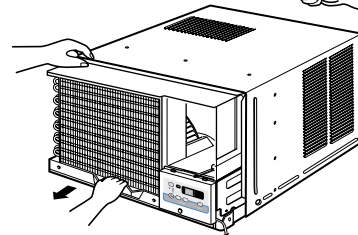
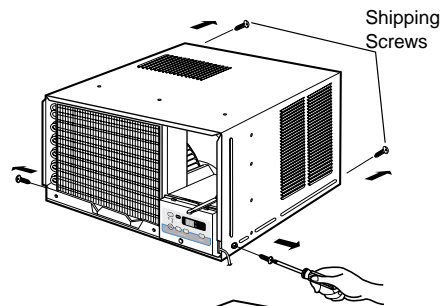


Suggested Tool Requirements

SCREWDRIVER(+, -), RULER, KNIFE, HAMMER, PENCIL, LEVEL

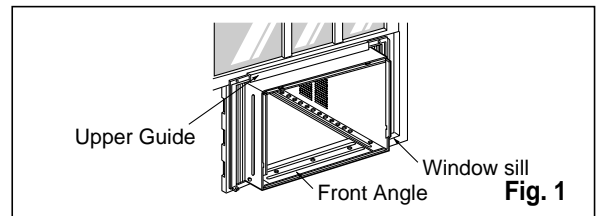
PREPARATION OF CHASSIS

1. Remove the screws which fasten the cabinet at both sides and at the back.
2. Slide the unit from the cabinet by gripping the base pan handle and pulling while bracing the cabinet.
3. Cut the window sash seal to the proper length.
Peel off the backing and attach the FOAM-PE ⑪ to the underside of the window sash.
4. Remove the backing from the top upper guide FOAM-PE ⑨ and attach it to the bottom of the upper guide.
5. Attach the upper guide onto the top of the cabinet with 3 type A screws.
6. Insert the Frame Curtain ① into the upper guide.
7. Fasten the curtains to the unit with 4 Type A screws.

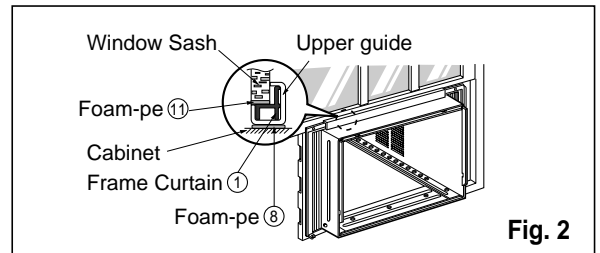


Cabinet Installation

1. Open the window. Mark a line on center of the window sill (or desired air conditioner location). Carefully place the cabinet on the window sill and align the center mark on the bottom front with the center line marked in the window sill. (See Fig.1)



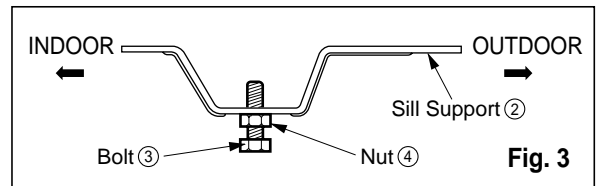
2. Pull the bottom window sash down behind the upper guide until it meets. (See Fig.2)



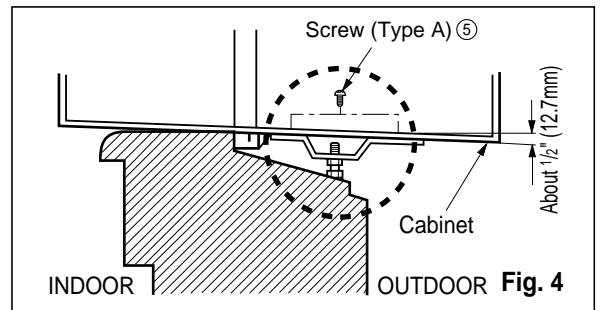
NOTE:

- Do not pull the window sash down so tightly that the movement of Frame Curtain is restricted.

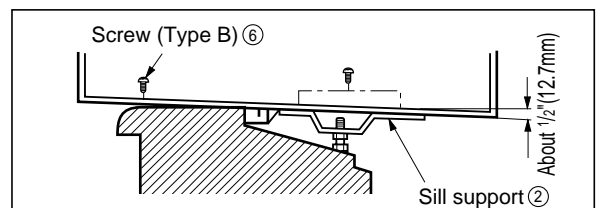
3. Loosely assemble the sill support using the parts in Fig. 3.
4. Select the position that will place the sill support near the outer most point on sill (See Fig. 4)



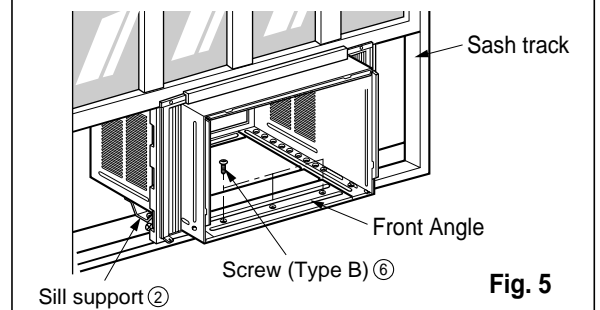
5. Attach the sill support to the cabinet track hole in relation to the selected position using 2 Type A screws in each support (See Fig. 4).



6. The cabinet should be installed with a very **slight tilt (about 1/2" (12.7mm)) downward** toward the outside (See Fig. 5). Adjust the bolt and the nut of sill support for balancing the cabinet.



7. Attach the cabinet to the window sill by driving the screws ⑥ (Type B) through the front angle into window sill.
8. Pull each Frame curtain fully to each window sash track, and repeat step 2.



9. Attach each Frame curtain to the window sash using screws ⑦ (Type C). (See Fig. 6)

CAUTION: DO NOT DRILL A HOLE IN THE BOTTOM PAN.

The unit is designed to operate with approximately 1/2" (12.7mm) of water in bottom pan.

10. Slide the unit into the cabinet. (See Fig. 7)

CAUTION: For security purpose, reinstall screws at cabinet's sides.

11. Cut the foam-strip ⑧ to the proper length and insert between the upper window sash and the lower window sash. (See Fig. 8)

12. Attach the window locking bracket ⑩ with a type C screw. (See Fig. 9)

13. Attach the front grille to the cabinet by inserting the tabs on the grille into the tabs on the front of the cabinet. Push the grille in until it snaps into place. (See Fig.10)

NOTE: Please refer page 7 for setting the ventilation knob.

14. Lift the inlet grille and secure it with two type A screw through the front grille. (See Fig. 11)

15. **Window installation of room air conditioner is now completed. See ELECTRICAL DATA for attaching power cord to electrical outlet.**

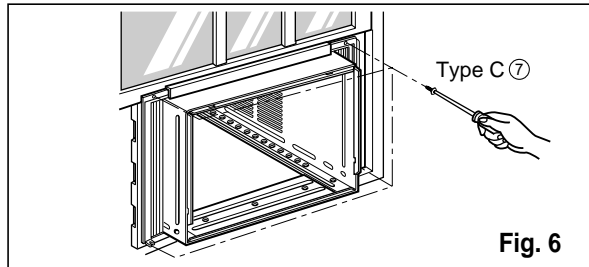


Fig. 6

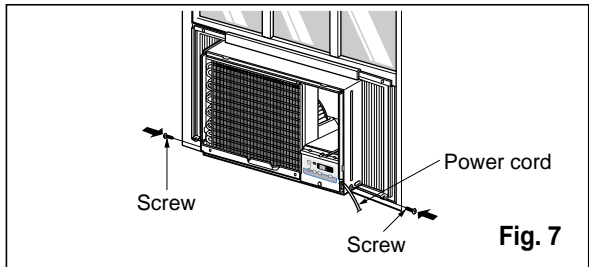


Fig. 7

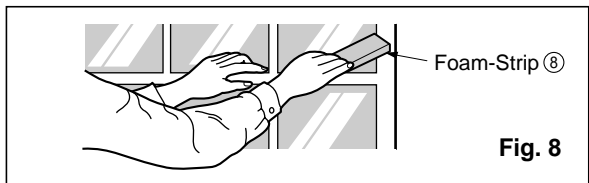


Fig. 8

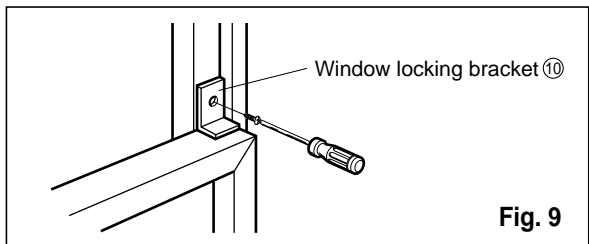


Fig. 9

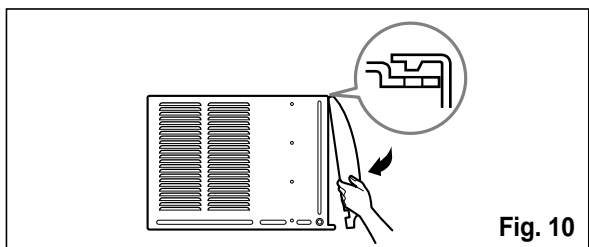


Fig. 10

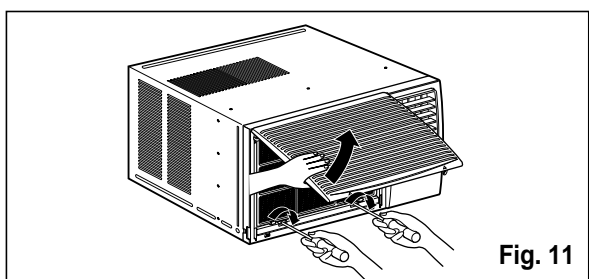
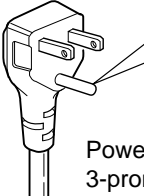



Fig. 11

Electrical Data

Line Cord Plug	Use Wall Receptacle	Power Supply
 <p data-bbox="434 411 602 529">Do not under any circumstances cut or remove the grounding prong from the plug.</p> <p data-bbox="364 539 616 597">Power supply cord with 3-prong grounding plug</p>	 <p data-bbox="679 539 1036 597">Standard 125V, 3-wire grounding receptacle rated 15A, 125V AC</p>	<p data-bbox="1064 450 1281 539">Use 15 AMP, time delay fuse or circuit breaker.</p>

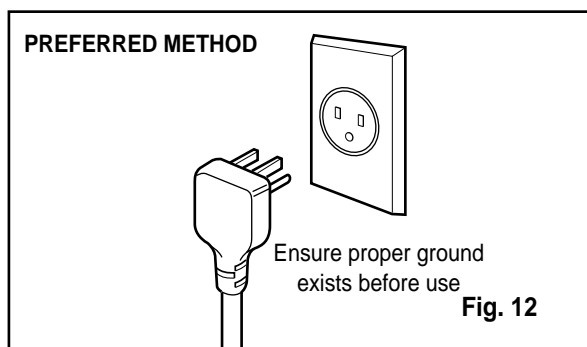
USE OF EXTENSION CORDS

Because of potential safety hazards, we strongly discourage the use of an extension cord. However, if you wish to use an extension cord, use a CSA certified/UL-listed 3-wire (grounding) extension cord, rated 15A, 125V.

IMPORTANT (PLEASE READ CAREFULLY)

FOR THE USER'S PERSONAL SAFETY, THIS APPLIANCE MUST BE PROPERLY GROUNDED

The power cord of this appliance is equipped with a three-prong (grounding) plug. Use this with a standard three-slot (grounding) wall power outlet (Fig. 12) to minimize the hazard of electric shock. The customer should have the wall receptacle and circuit checked by a qualified electrician to make sure the receptacle is properly grounded.



DO NOT CUT OR REMOVE THE THIRD (GROUND) PRONG FROM THE POWER PLUG.

A. SITUATIONS WHERE THE APPLIANCE WILL BE DISCONNECTED ONLY OCCASIONALLY:

Because of potential safety hazards, we strongly discourage the use of an adapter plug. However, if you wish to use an adapter, a **TEMPORARY CONNECTION** may be made. Use UL-listed adapter, available from most local hardware stores (Fig. 13). The large slot in the adapter must be aligned with the large slot in the receptacle to assure a proper polarity connection.

CAUTION: Attaching the adapter ground terminal to the wall receptacle cover screw does not ground the appliance unless the cover screw is metal, and not insulated, and the wall receptacle is grounded through the house wiring.

The customer should have the circuit checked by a qualified electrician to make sure the receptacle is properly grounded.

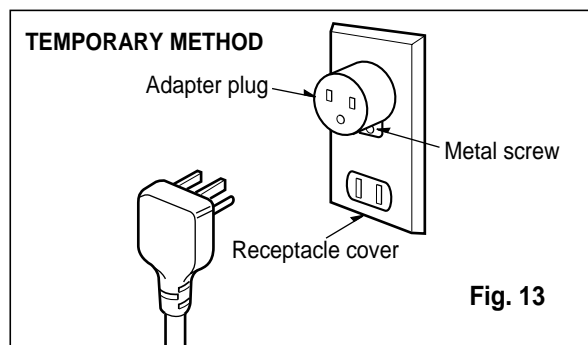
Disconnect the power cord from the adapter, using one hand on each. Otherwise, the adapter ground terminal might break. **DO NOT USE** the appliance with a broken adapter plug.

B. SITUATIONS WHERE THE APPLIANCE WILL BE DISCONNECTED OFTEN.

Do not use an adapter plug in these situations. Unplugging the power cord frequently can lead to an eventual breakage of the ground terminal. The wall power outlet should be replaced by a three-slot (grounding) outlet instead.

USE OF EXTENSION CORDS

Because of potential safety hazards, we strongly discourage the use of an extension cord. However, if you wish to use an extension cord, use a CSA certified/UL-listed 3-wire (grounding) extension cord, rated 15A, 125V.



Before you call for service...

Troubleshooting Tips Save time and money!
Review the chart below first and you may not need to call for service.

Normal Operation

- You may hear a pinging noise caused by water being picked up and thrown against the condenser on rainy days or when the humidity is high. This design feature helps remove moisture and improve efficiency.
- You may hear the relay click when the compressor cycles on and off.
- Water will collect in the base pan during high humidity or on rainy days. The water may overflow and drip from the outdoor side of the unit.
- The fan may run even when the compressor does not.

Abnormal Operation

Problem	Possible Causes	What To Do
Air conditioner does not start	■ <i>The air conditioner is unplugged.</i>	• Make sure the air conditioner plug is pushed completely into the outlet.
	■ <i>The fuse is blown/circuit breaker is tripped.</i>	• Check the house fuse/circuit breaker box and replace the fuse or reset the breaker.
	■ <i>Power failure.</i>	• When power is restored, wait 3 minutes to restart the air conditioner to prevent tripping of the compressor overload.
Air conditioner does not cool as it should	■ <i>Airflow is restricted.</i>	• Make sure there are no curtains, blinds, or furniture blocking the front of the air conditioner.
	■ <i>TEMP Control set to a higher number.</i>	• Set the TEMP Control to a lower number.
	■ <i>The air filter is dirty.</i>	• Clean the filter at least every 2 weeks. See the operating instructions section.
	■ <i>The room may have been hot.</i>	• When the air conditioner is first turned on you need to allow time for the room to cool down.
	■ <i>Cold air is escaping.</i>	• Check for open furnace floor registers and cold air returns. • Set the air conditioner's vent to the closed position.
	■ <i>Cooling coils have iced up.</i>	• See Air Conditioner Freezing Up below.
Air conditioner freezing up	■ <i>Ice blocks the air flow and stops the air conditioner from cooling the room.</i>	• Set the mode control at High Fan at a high temperature.

Memo

A series of horizontal dotted lines for writing.

Precauciones Importantes de Seguridad

Precauciones Importantes de seguridad19

Instrucciones de Funcionamiento

Controles21
Ventilación.....23
Como controlar la dirección del aire23
Como instalar el Tubo de Desagüe23

Cuidado y Mantenimiento

Limpieza de filtro de aire.....24
Cómo poner las Baterías24

Características

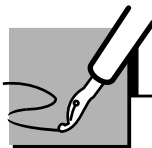
Características25

Instrucciones de instalación

Elija el mejor lugar26
Requisitos de ventana.....26
Contenido del juego de instalación27
Requisitos de las herramientas sugeridas.....27
Instalación del Gabinete....28
Datos Electricos30
Información Eléctrica.....31

Antes de avisar al Servicio Técnico

Operación normal32
Operación anormal32



PARA SU INFORMACION

Escriba aquí los números de serie y modelo de las unidades exterior e interior:

Nº de Modelo

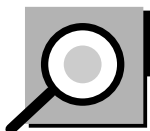
Nº Serie

Los números figuran en una etiqueta en el lateral de cada unidad.

Distribuidor

Fecha de compra

Adjunte su recibo aquí para probar que lo adquirió.



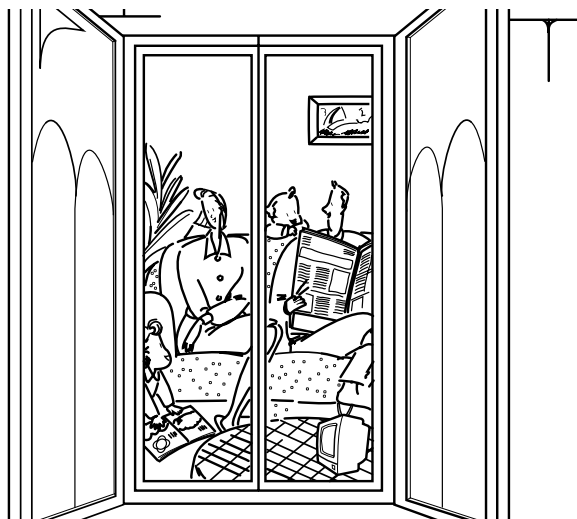
LEA ESTE MANUAL

- Aquí encontrará numerosas sugerencias sobre cómo utilizar y mantener adecuadamente su acondicionador de aire. Con unos cuantos cuidados preventivos se puede ahorrar mucho tiempo y dinero a lo largo de la vida útil de su acondicionador de aire.
- En la tabla de sugerencias para la resolución de problemas encontrará respuestas a la mayoría de los problemas más comunes. Si consulta primero la tabla de **Sugerencias para la resolución de problemas**, quizá ni siquiera necesite avisar al servicio técnico.



PRECAUCION



- Consulte con el servicio técnico autorizado sobre la reparación o el mantenimiento de esta unidad.
- El acondicionador de aire no debe ser utilizado por niños pequeños o personas inestables sin supervisión.
- Es preciso vigilar a los niños pequeños para asegurarse de que no juegan con el acondicionador de aire.







Precauciones Importantes de Seguridad

Para prevenir tanto lesiones al usuario u otras personas como daños materiales, es preciso seguir estas instrucciones.


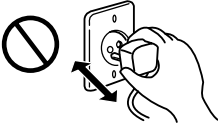
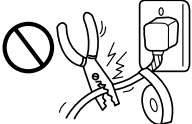
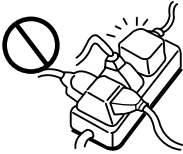

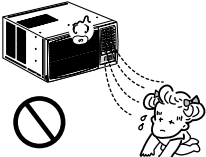
- El manejo incorrecto debido a la inobservancia de estas instrucciones puede causar lesiones o daños cuya gravedad está clasificada en las siguientes indicaciones.

	ADVERTENCIA	Este símbolo indica la posibilidad de lesiones mortales o graves.
	PRECAUCION	Este símbolo indica la posibilidad de lesiones o daños materiales.

- El significado de los símbolos utilizados en este manual se indica a continuación.

	Asegúrese de no hacerlo.
  	Asegúrese de seguir las instrucciones.

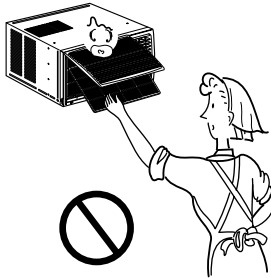
ADVERTENCIA

Conecte correctamente el enchufe	No opere o pare la unidad insertando o tirando del enchufe	No dañe o utilice un cable eléctrico inadecuado
<ul style="list-style-type: none"> • De otra forma, ello ocasionaría una descarga eléctrica o incendio a causa de la generación de calor. 	<ul style="list-style-type: none"> • Ello ocasionaría una descarga eléctrica o incendio a causa de la generación de calor. 	<ul style="list-style-type: none"> • Ello ocasionaría una descarga eléctrica o incendio.
		
No modifique el largo del cable eléctrico, y tampoco comparta el tomacorriente con otros aparatos	No lo maneje con las manos húmedas	No exponga durante mucho tiempo la piel al aire frío procedente directamente del acondicionador.
<ul style="list-style-type: none"> • Ello ocasionaría una descarga eléctrica o incendio a causa de la generación de calor. 	<ul style="list-style-type: none"> • Puede ocasionar una descarga eléctrica. 	<ul style="list-style-type: none"> • Esto podría dañar su salud.
		

⚠ PRECAUCION

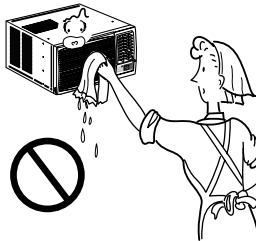
Cuando se vaya a quitar el filtro de aire no toque las partes metálicas de la unidad interior.

- Esto podría causar heridas.



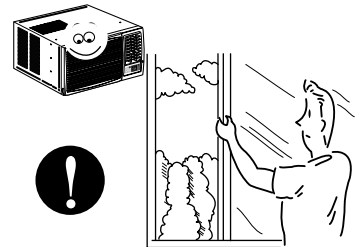
No limpie el acondicionador de aire con agua.

- El agua podría entrar en la unidad y degradar el aislamiento. También podría causar una sacudida eléctrica.



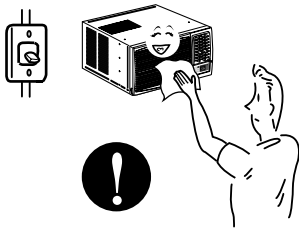
Ventile bien cuando utilice el acondicionador junto con una estufa, etc.

- En este caso tal vez se produzca una falta de oxígeno.



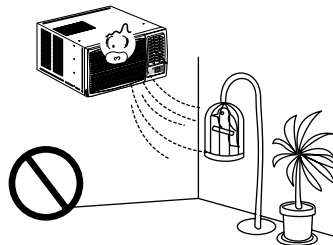
Cuando limpie la unidad, desconecte la alimentación y desconecte también el disyuntor.

- Puesto que el ventilador gira a alta velocidad durante la operación, podría ocasionar heridas.



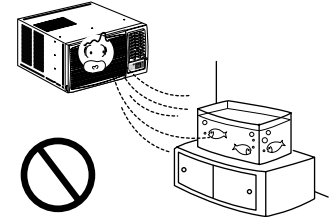
NO ponga un animal doméstico ni una planta donde quede directamente expuesto al flujo de aire.

- Esto podría dañar al animal o a la planta.



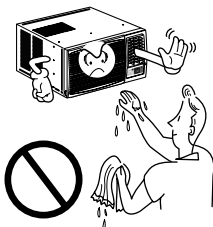
No lo utilice para propósitos especiales.

- No utilice este acondicionador de aire para conservar dispositivos de precisión, alimentos y objetos de arte; no ponga tampoco animales y plantas cerca de él. Esto podría deteriorar la calidad, etc.



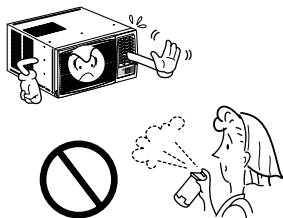
No manipule los interruptores con las manos mojadas.

- Esto podría causar una sacudida eléctrica.



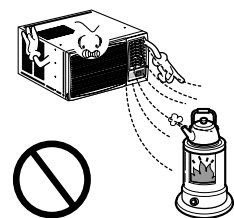
No aplique aerosoles con insecticida o productos inflamables.

- Esto podría causar un incendio o deformar la caja.



No ponga una estufa, etc. donde quede expuesta al flujo de aire directo.

- Esto podría causar una combustión imperfecta.

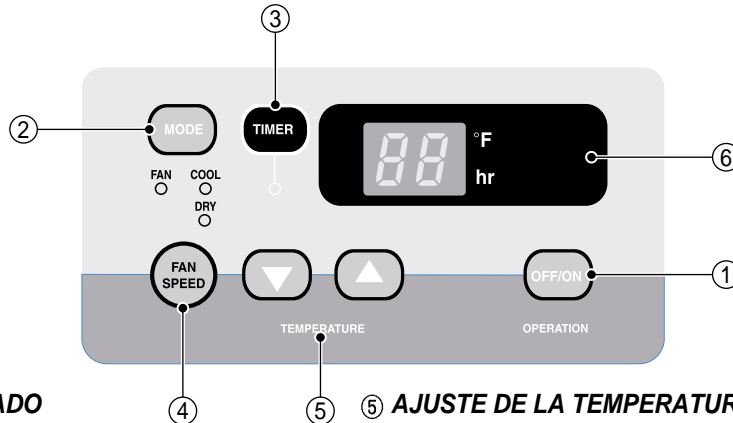


Instructions de Fonctionnement



Controles

Modelos: CW-XC100HU
CW-XC120HU



① ENCENDIDO/APAGADO

- Para ENCENDER el sistema presione el botón, y para APAGARLO presione el botón otra vez.
- Este botón tiene prioridad sobre todos los otros botones.
- Cuando Ud. lo enciende por primera vez, el sistema está en el y la temperatura es de 72°F (22°C).

② FRÍO/VENTILADOR

- Cada vez que presione este botón, las palabras COOL, FAN y DRY aparecerán alternadamente.

③ MARCADOR DE ENCENDIDO/APAGADO

- Cada vez que presione este botón, el marcador de tiempo se ajustará de la siguiente manera: (1 Hora → 2 Horas → 3 Horas → 4 Horas → 5 Horas → 6 Horas → 7 Horas → 8 Horas → 9 Horas → 10 Horas → 11 Horas → 12 Horas → Cancelar).
- La temperatura de ajuste se elevará 2°F (1°C), 30 minutos después, y otros 2°F (1°C) media hora después.

④ VELOCIDAD DEL VENTILADOR

- Cada vez que presione este botón, el ajuste es como sigue {Alto(F3) → Bajo(F1) → Medio(F2) → Alto(F3)...}

⑤ AJUSTE DE LA TEMPERATURA

- Este botón puede controlar la temperatura del cuarto automáticamente. La temperatura se puede ajustar de grado en grado, desde 60°F hasta 86°F cada 1°F (16°C hasta 30°C cada 1°C). Seleccione el número más bajo para la temperatura más baja en el cuarto.

⑥ RECEPTOR DE SEÑAL

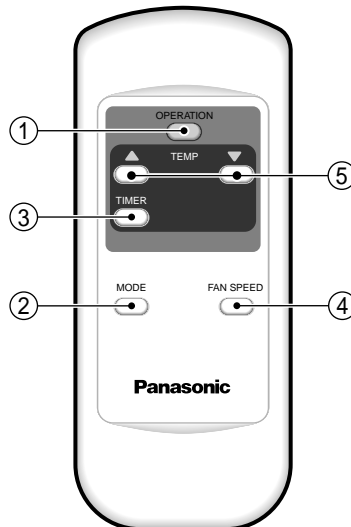
⑦ MODO SECO

- Cuando esta unidad se torna al modo seco, el ventilador gira en velocidad lenta. El ventilador se detiene cuando el compresor se para de enfriar. Aproximadamente cada 3 minutos se encenderá el ventilador y la unidad comprueba la temperatura del aire de la habitación para ajustarse a si mismo.

Control remoto

Precaución: El dispositivo de control remoto no funcionará adecuadamente si la ventana sensora del acondicionador de aire es expuesta a luz fuerte, o si hay obstáculos entre el dispositivo de control remoto y el acondicionador de aire.

Modelos: CW-XC100HU, CW-XC120HU



① ENCENDIDO/APAGADO

- Para ENCENDER el sistema presione el botón, y para APAGARLO presione el botón otra vez.
- Este botón tiene prioridad sobre todos los otros botones.
- Cuando Ud. lo enciende por primera vez, el sistema está en el y la temperatura es de 72°F (22°C).

② FRÍO/VENTILADOR

- Cada vez que presione este botón, las palabras COOL, FAN y DRY aparecerán alternadamente.

③ MARCADOR DE ENCENDIDO/APAGADO

- OPERACIÓN DE PARADA:

- Cada vez que presione este botón, cuando el sistema esté operando, el marcador de tiempo se ajustará de la siguiente manera: (1Hora → 2 Horas → 3 Horas → 4 Horas → 5 Horas → 6 Horas → 7 Horas → 8 Horas → 9 Horas → 10 Horas → 11 Horas → 12 Horas → 0).
- La temperatura de ajuste se elevará 2°F(1°C), 30 minutos después, y otros 2°F(1°C) media hora después.

- OPERACIÓN DE INICIACIÓN:

- Cada vez que presione este botón, cuando el sistema esté operando, el marcador de tiempo se ajustará de la siguiente manera: (1Hora → 2 Horas → 3 Horas → 4 Horas → 5 Horas → 6 Horas → 7 Horas → 8 Horas → 9 Horas → 10 Horas → 11 Horas → 12 Horas → 0).

④ VELOCIDAD DEL VENTILADOR

- Cada vez que presione este botón, el ajuste es como sigue. {Alto(F3) → Bajo(F1) → Medio(F2) → Alto(F3)...}

⑤ AJUSTE DE LA TEMPERATURA

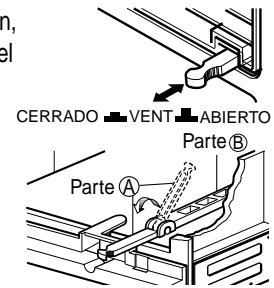
- Este botón puede controlar la temperatura del cuarto automáticamente. La temperatura se puede ajustar de grado en grado, desde 60°F hasta 86°F cada 1°F (16°C hasta 30°C cada 1°C). Seleccione el número más bajo para la temperatura más baja en el cuarto.

Controles adicionales e información importante.

Ventilación

La palanca de ventilación debe estar en posición CERRADA para poder mantener las mejores condiciones de enfriamiento. Cuando se necesite aire fresco en la habitación, coloque la palanca de ventilación en posición ABIERTA. La Compuerta es abierta y el aire de la habitación es expulsado.

NOTA: Antes de utilizar la característica de ventilación, haga un kit de ventilación.
Primero, hale hacia abajo la parte (A) hasta que quede horizontal con la parte (B).

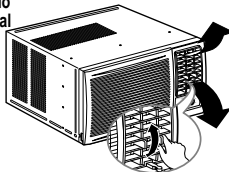


Como controlar la direccion del aire

La dirección del aire puede ser controlada cuando usted desee enfriar, ajustando la palanca vertical y la palanca horizontal.

• CONTROL DE LA DIRECCIÓN VERTICAL DEL AIRE

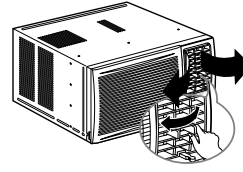
Controlado por manual



La dirección vertical del aire es ajustada rotando la palanca horizontal hacia adelante o hacia atrás.

• CONTROL DE LA DIRECCIÓN HORIZONTAL DEL AIRE

Controlado por Director Remoto



La dirección horizontal del aire es ajustada rotando la palanca vertical hacia la derecha o hacia la izquierda manualmente o por Director Remoto.

Como Instalar el Tubo de Desagüe

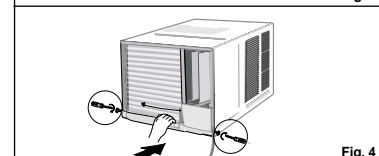
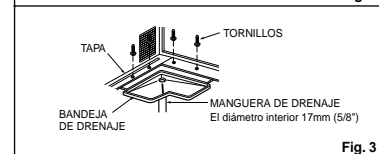
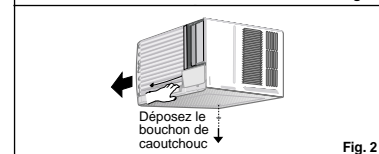
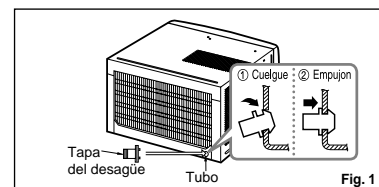
En climas húmedos, es posible que la BANDEJA EVAPORADORA se llene de agua.

Para quitar el agua acumulado, es preciso conectar el tubo de desagüe.

Quite la TAPA DEL DESAGÜE y conecte el TUBO a la BANDEJA EVAPORADORA..(Ver Fig.1)

Opcional(CW3H02502B)

1. Retire el tapón de plástico y deslice el chasis fuera del armario. (Ver Fig.2)
2. Instale la bandeja de drenaje por encima de la esquina de la tapa de donde retiró el tapón con 4 (o 2) tornillos.(Ver Fig.3)
3. Conecte la manguera de drenaje a la salida situada en la parte inferior de la bandeja de drenaje. Puede adquirir una manguera de drenaje o una tubería apropiada en su localidad que satisfaga sus necesidades particulares (la manguera no se suministra).(Ver Fig.3)
4. Seleccione la conexión más apropiada entre las figuras siguientes (teniendo en cuenta el orificio de la unidad) para acoplar la bandeja de drenaje en su unidad.(Ver Fig.3)
5. Deslice el chasis en el interior del armario. Vuelva a apretar los tornillos del armario. Fije el armario al chasis con tornillos.(Ver Fig.4)



Cuidado y Mantenimiento

APAGUE EL AIRE ACONDICIONADO Y SAQUE EL ENCHUFE DEL TOMA CORRIENTE DE LA PARED.

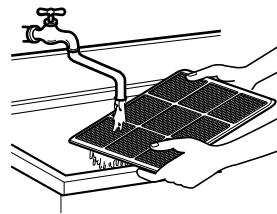
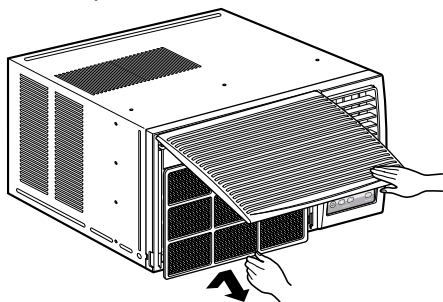
Limpeza de filtro de Aire

El filtro de aire detrás de la rejilla frontal debe ser revisado y limpiado por lo menos una vez por cada dos semanas o más frecuentemente si es necesario.

La rejilla es diseñado para limpiar el filtro tanto hacia arriba como hacia abajo.

PARA REMOVER:

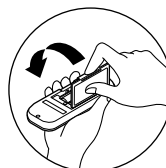
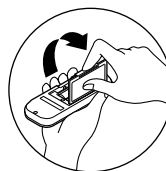
1. Abra la rejilla hacia arriba tirando la parte inferior de la rejilla o hacia abajo tirando la parte superior de la rejilla.
2. Usando una lengüeta, tire el filtro ligeramente hacia arriba para sacarlo por abajo o arriba.
3. Limpie el filtro con agua tibia y jabonosa bajo 40°C (104°F).
4. Enjuague y sacuda el filtro suavemente bajo la corriente de agua y déjelo secar antes de reponerlo.



PRECAUCION: NO OPERE el aire acondicionado sin filtro ya que la suciedad y el tamo obstruirá el filtro y reducirá la eficiencia del funcionamiento.

Cómo poner las baterías

1. Quite la tapa de la parte posterior del telemando. Para ello haga deslizar la tapa según la dirección de la flecha.
2. Introduzca las dos AAA célula seca baterías, asegurándose de que las direcciones (+) y (-) estén colocadas correctament. Use baterías nuevas.
3. Volver a cerrar, resbalando la tapa hasta la posición inicial.



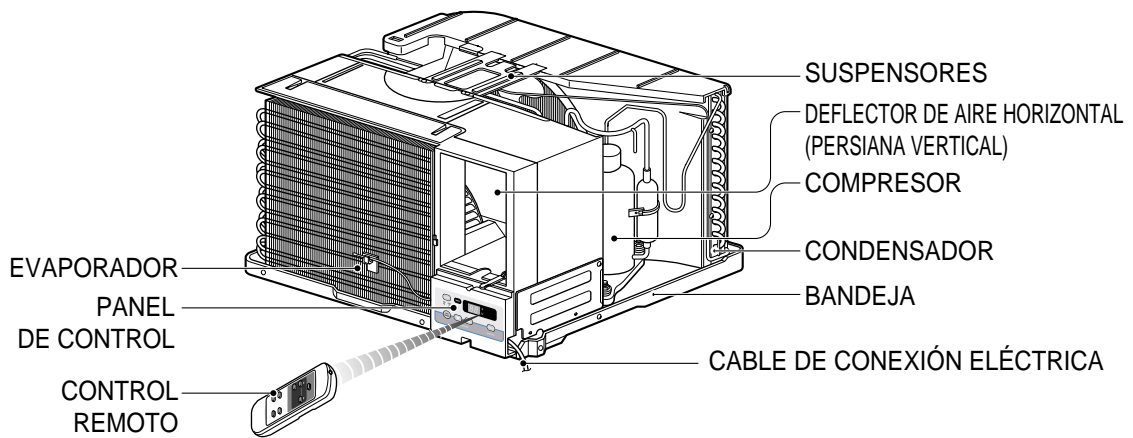
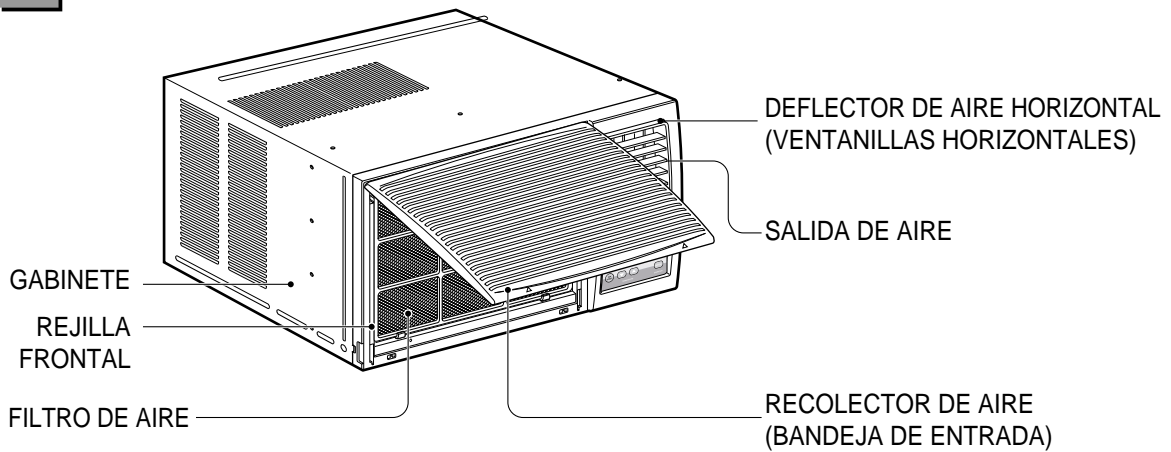
- No utilice baterías recargables, éstas son diferentes de forma, de dimensión y uso respecto a las baterías secas usuales.

- Seque las baterías del telemando cuando el acondicionador no vaya a ser usado durante un largo período.

Características

Aprender el nombre de las partes antes de la instalación le ayudará a entender el proceso de instalación.

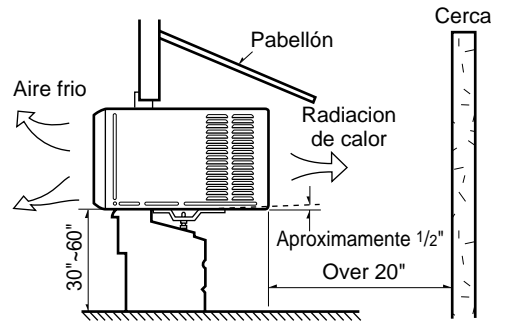
Características



Instrucciones de Instalación

Elija el mejor lugar

1. Para prevenir la vibración y el ruido, asegure de que la unidad esté instalada segura y firmemente.
2. Instale la unidad donde el sol no refleje directamente en la unidad.
3. La salida debe extenderse hacia afuera por lo menos 12" y no debe haber obstáculos, como cercas o paredes, en 20" de la parte de atrás del gabinete porque va a prevenir la radiación de calor del condensador. Restricciones del aire de afuera reducirá grandemente la eficiencia del aire acondicionado.



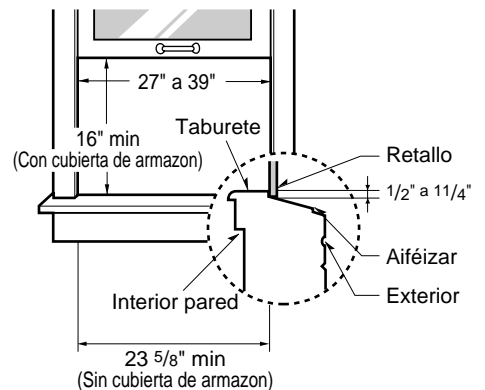
CUIDADO: Todas las ventanillas de los lados del gabinete deben mantenerse expuestas hacia afuera de la estructura.

4. Instale la unidad un poco inclinada de tal forma que la parte trasera esté ligeramente más baja que el frente (cerca de 1/2"). Esto forzará el agua del condensador hacia afuera.
5. Instale la unidad con la parte inferior cerca de 30"~60" arriba nivel de suelo.

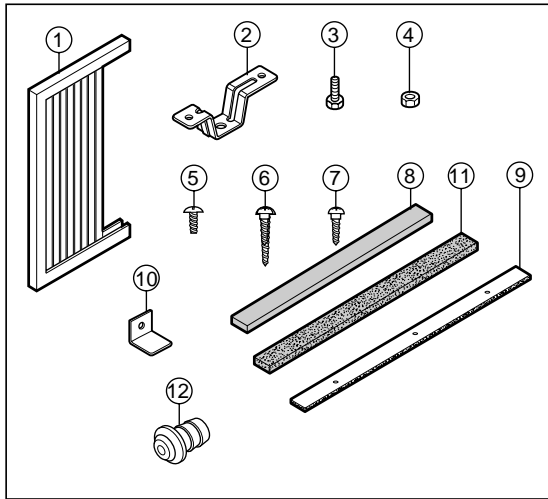
Requistios de ventana

Esta unidad está diseñada para que sea instalada en ventanas dobles estándares con una abertura actual de ancho desde 27" a 39".

La parte superior e inferior de la ventana debe abrir lo suficiente para permitir una abertura vertical libre de 16" desde la parte inferior de la ventana hasta la base de la misma.

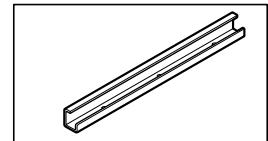


Contenido del Juego de Instalación



NO.	NOMBRE LA PARTE	CANTIDAD
1	PANEL GUÍA	2
2	SOPORTE DE ALFÉIZAR	2
3	TORNILLO	2
4	TUERCA	2
5	TORNILLO(TIPO A) 10mm (25/64")	16
6	TORNILLO(TIPO B) D5.1mm (3/16")/16mm (5/8")	3
7	TORNILLO(TIPO C) D4.1mm (5/32")/16mm(5/8")	5
8	TIRA DE GOMA	1
9	BANDA ADHESIVA (600mm x 25mm x 2mm)	1
10	CHAPA DE SOPORTE PARALA VENTANA	1
11	BANDA ADHESIVA (920mm x 30mm x 2mm)	1
12	TAPA DEL DESAGÜE	1

■ La barra de retención superior está en el empaque del producto.

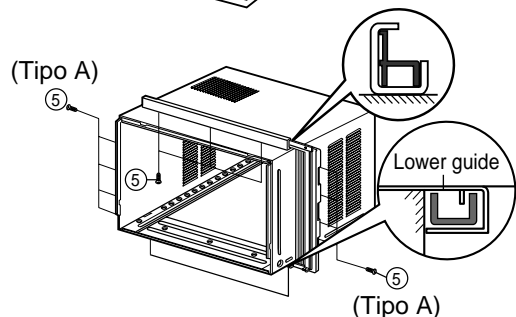
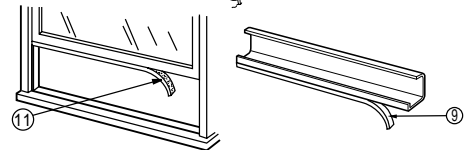
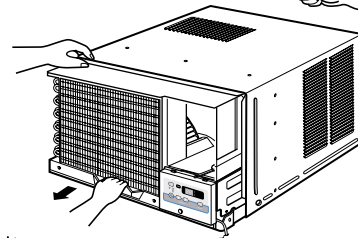
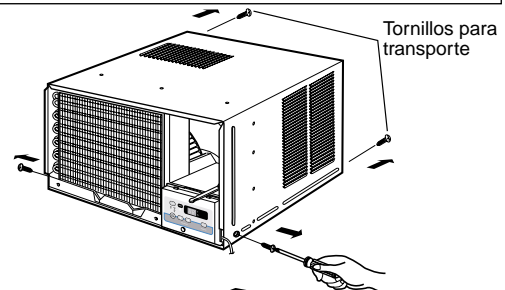


Requisitos de las herra mientas sugeridas

DESARMADOR (+, -), REGLA, CUCHILLO, MARTILLO, LAPIZ, NIVEL

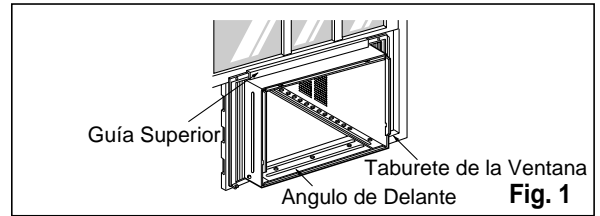
PREPARACION DEL CHASIS

1. Remueva los tornillos cuales sujetan el gabinete a ambos lados y en la parte de atrás.
2. Deslice la unidad fuera del gabinete tomando el agarradero de la bandeja y hale hacia el frente mientras mantiene el gabinete.
3. Corte el marco de la ventana con el largo apropiado. Desprenda la parte de atrás y sujete el FOAM-PE ⑪ en la parte inferior del marco de la ventana.
4. Remueva el empaque desde el sello de la guía superior ⑨ y péguelo al fondo de la guía superior.
5. Sujete la guía superior en la parte de arriba del gabinete con 3 tornillos tipo A.
6. Inserte los paneles guías ① en la guía superior.
7. Sujete el armazon a la unidad con 4 tornillos. (Tipo A)

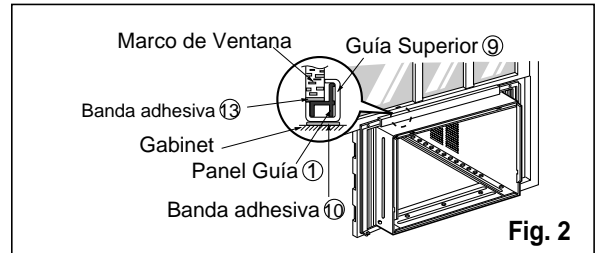


Instalación del Gabinete

1. Abra la ventana. Marque una línea en el centro del banqueta de la ventana (o la ubicación deseada del aire acondicionado). Cuidadosamente ubique el gabinete en la banqueta de la ventana y alinee la marca central en el frente inferior con el centro de la línea marcada en la banqueta de la ventana. (Ver Fig.1)



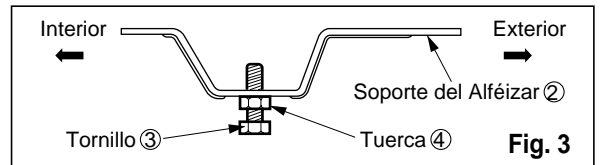
2. Hale hacia abajo la parte inferior de la ventana hasta que se una detrás de la guía superior. (Ver Fig.2)



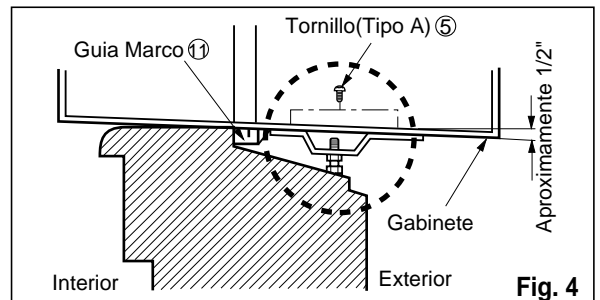
NOTA:

- No hale la ventana hacia abajo tan apretadamente que el movimiento del panel guía sea restringido.

3. Ligeramente ensamble el soporte del alféizar usando las partes de la fig. 3.

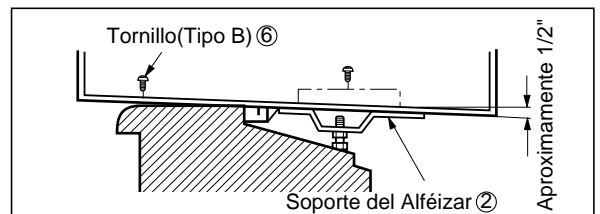


4. Seleccione la posición que ubicará el soporte del alféizar cerca del punto más exterior del alféizar. (Ver Fig. 4)

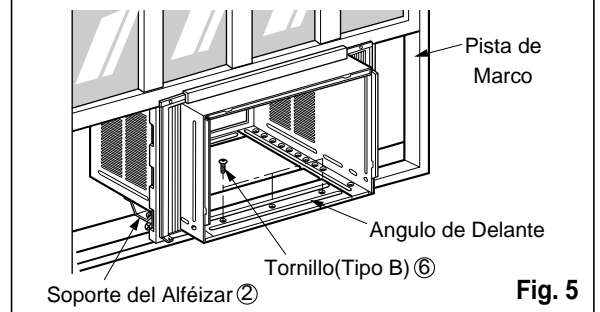


5. Pegue el soporte antepecho a los rieles de la caja en relación a la posición deseada usando dos tornillos Tipo A en cada soporte. (Ver Fig. 4)

6. El gabinete debe ser instalado con una **pequeña caída (cerca de 1/2") hacia abajo hacia afuera** (Ver Fig. 5).



7. Adjunte el gabinete al banquete de la ventana atornillando los tornillos ⑥ (Tipo B: Largo dieciséis milímetros y menos.) a través del ángulo frontal en la banqueta de la ventana.



8. Hale cada panel guía completamente a cada lado de la ventana y repita del paso 2.

9. Adjunte cada panel guía a cada lado de la ventana usando tornillos ⑦(Tipo C).
(Ver Fig. 6)

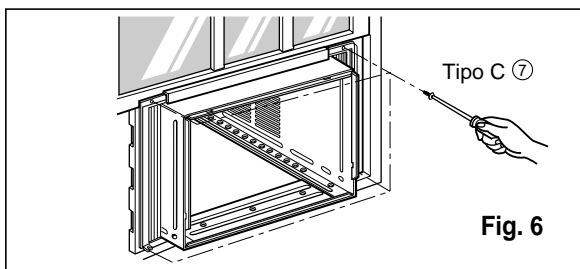


Fig. 6

PRECAUCION: No perforo la charola del fondo. La unidad está diseñada para operar con aproximadamente 1/2" de agua en la charola del fondo.

10. Deslice el chasis dentro del gabinete.
(Ver Fig. 7)

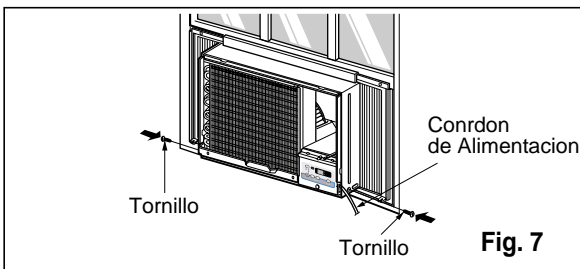


Fig. 7

CUIDADO: Por razones de seguridad, re instale los tornillos en los lados del gabinete.

11. Corte la tira de goma ⑧ a la medida apropiada e introdúzcala entre la parte superior e inferior de la ventana.
(Ver Fig. 8)

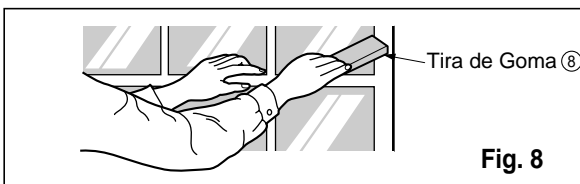


Fig. 8

12. Sujete la chapade soporte en el marco de la ventana ⑩ con untornillo tipo C.
(Ver Fig. 9)

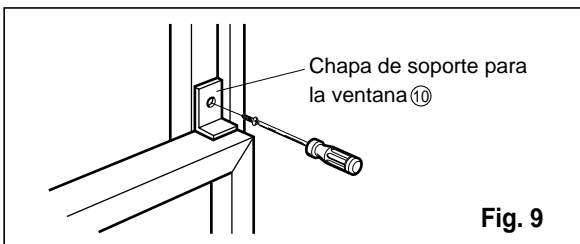


Fig. 9

13. Pegue el panel frontal a la caja insertando los fijadores en el panel adentro los del panel de la caja. (Ver Fig. 10)

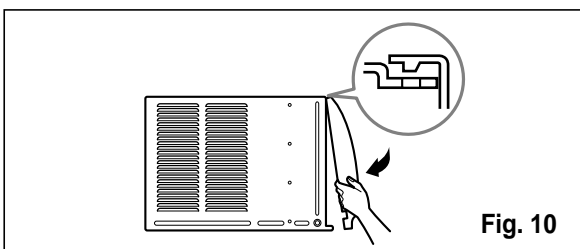


Fig. 10

NOTA : Por favor refiérase a la página 23 para ajustar el mando de ventilación

14. Levante la parrilla de entrada y ajústela con tornillos Tipo A, através de la parrilla frontal. (Ver Fig. 11)

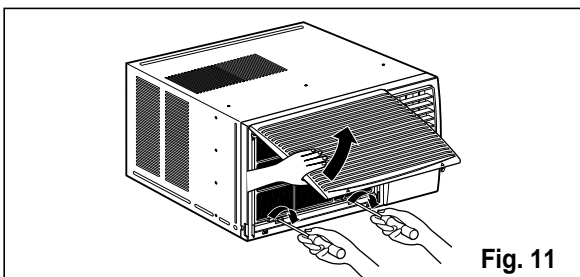
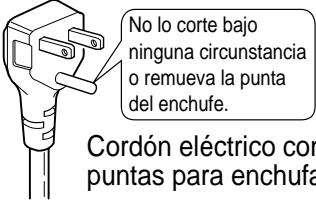



Fig. 11

15. **Ahora la instalación del aire acondicionado en la ventana es completada. Vea los DATOS ELECTRICOS para instalar el cable de alimentación en la toma de corriente.**

Datos Electricos

Corc6n El6ctrico	Utilice el enchufe de la pared	Consumo de Energ3a
 <p>No lo corte bajo ninguna circunstancia o remueva la punta del enchufe.</p> <p>Cord6n el6ctrico con puntas para enchufar</p>	 <p>Standard 125V, enchufe de 3 L3neas de 15A, 125V AC</p>	<p>Utilice un fusible de 15AMP o un Interruptor</p>

USO DE CORDONES DE EXTENSION

Debido al potencial de peligro a su seguridad bajo ciertas circunstancias recomendamos encarecidamente no utilizar cordones de extensi6n. Sin embargo, si usted decide usar un cord6n de extensi6n, es absolutamente necesario que este sea un cord6n listado bajo UL de tres espigas con conexi6n a tierra calificado 15 A, 125 V.

IMPORTANTE (FAVORLEA CON ATENCIÓN)

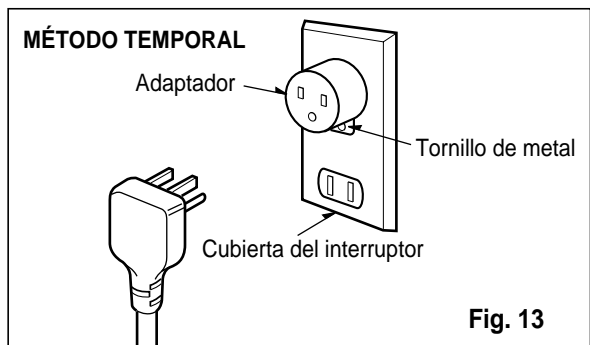
POR LA SEGURIDAD PERSONAL DEL USUARIO, ESTE APARATO DEBE SER DEBIDAMENTE NEUTRALIZADO.

El cordón de energía de éste aparato está equipado con tres patas (cable a tierra). Utilice éste con un enchufe de pared de tres salidas (a tierra) (Fig. 12) para minimizar el peligro de choque eléctrico. El cliente debe revisar el receptor de pared y el circuito por un electricista calificado para asegurarse que la recepción está debidamente neutralizada.



NO CORTE O REMUEVA LA TERCERA PATA (GROUND) DEL ENCHUFE.

A. SITUACIONES EN LAS CUALES EL APARATO ES DESCONECTADO OCASIONALMENTE:



Debido al peligro potencial, nosotros no recomendamos el uso de adaptadores. Sin embargo, si usted desea utilizar un adaptador, una CONEXIÓN TEMPORAL, puede ser efectuada. Utilice adaptadores UL, disponibles en la mayoría de los establecimientos de herramientas (Fig. 13). La pata más grande del adaptador debe ser alineada con la pata más grande del interruptor para asegurarse una polarización adecuada.

CUIDADO: Adaptar la terminal del ground del adaptador a la cubierta de la pared con un tornillo no neutraliza el aparato a menos que la cubierta del tornillo sea de metal, u no sea aislada, y el receptor de pared este neutralizado a través del alambreado de la casa. El cliente debe hacer verificar el circuito por un electricista calificado para asegurarse que el receptor está debidamente neutralizado.

Desconecte el cordón de energía del adaptador, utilizando una mano en cada uno. De lo contrario, la terminal del adaptador puede romperse. NO UTILICE el aparato con un enchufe roto.

B. SITUACIONES EN LAS CUALES EL APARATO ES DESCONECTADO CON FRECUENCIA.

No utilice un adaptador en estas circunstancias. Desconectar el cordón de energía con frecuencia lo llevará al eventual rompimiento de la terminal de neutralización. La salud de energía de la pared debe ser reemplazada por una salida de tres patas (neutralizada).

USO DE EXTENSIONES

Debido al peligro potencial, no recomendamos la utilización de extensiones. Sin embargo, si usted desea utilizar una extensión, utilice una certificada por CSA/UL de tres alambres, catalogada 15A, 125V.

Antes de avisar al Servicio Técnico

*Tips para solucionar problemas
(Ahorre tiempo y dinero) Cuando tenga algún problema primero consulte el cuadro que se encuentra abajo y tal vez no necesite llamar para solicitar servicio técnico.*

Operación normal

- Durar te días lluviosos o cuando la humedad es alta usted puede escuchar un ruido metálico causa do por agua recogida y arrojada contra el condensador. Esta característica ayuda a remover la humedad y mejorar la eficiencia.
- Usted puede escuchar que el relevo hace un click cuando se enciende o apaga el ciclo del comp esor.
- Durar te días lluviosos o cuando la humedad es alta el agua será recolectada on la base del aparato. Esta agua podrá fluir y será eliminada por el lado externo de la unidad.
- El ventilador podrá correr aún cuando el compresor no esté encendido.

Operación anormal

Probama	Causas posibles	Que hacer
El aire acondicionado no enciende	<ul style="list-style-type: none"> ■ El aire acondicionado está desconectado. ■ El fusible está quemado/el interruptor de energía se ha bloqueado. ■ Falta de energía. 	<ul style="list-style-type: none"> • Asegúrese que el aire acondicionado está conectado completamente a la fuente de energía. • Cheque los fusibles/interruptor de la casa y reemplace los fusibles o reestablezca el interruptor de energía. • Cuando la energía se reestablezca, espere 3 minutos para encender de nuevo el aire acondicionado. Con esto evitará que se produzca una sobrecarga en el compresor.
El aire acondicionado no enfría como debiera	<ul style="list-style-type: none"> ■ El flujo de aire esta restringido. ■ Coloque el control de TEMPERATURA en un número más alto. ■ El filtro de aire está sucio. ■ El cuarto aún está caliente. ■ El aire frío se está escapando. ■ El serpentín de refrigeración se ha congelado. 	<ul style="list-style-type: none"> • Asegúrese que no haya cortinas, persianas o muebles bloqueando el frente del aire acondicionado. • Gire el control de TEMPERATURA a un número más bajo. • Limpie el filtro por lo menos cada dos semanas. Vea la sección de instrucciones de operación. • Cuando usted enciende el aire acondicionado debe esperar un momento para que la habitación se enfríe. • Asegúrese que todas las salidas de aire estén cerradas para que el aire regrese. • Coloque la ventana del aire acondicionado en la posición más cercana. • Establezca una temperatura más alta.
El aire acondicionado enfría demasiado	<ul style="list-style-type: none"> ■ El hielo bloquea el flujo de aire y detiene el enfriamiento del cuarto. 	<ul style="list-style-type: none"> • Ajustar el control de modo en 'Ventilación Alta' o 'Erfriamiento Alto' con la temperatura alta.

**PRODUCT SPECIFICATION
ESPECIFICACIONES DEL PRODUCTO**

Model Modelo			CW- XC100HU	CW- XC120HU
COOLING CAPACITY CAPACIDAD DE ENFRIAMIENTO		Btu/h	9,750	11,800
ELECTRICAL RATING CLASIFICACION DE LA ELECTRICIDAD	Phase Fase		Single Monofasico	Single Monofasico
	Frequency Frecuencia	(Hz)	60	60
	Voltage Voltaja	(V)	115	115
	Current Corriente	(Amps) (Amps)	8.3	10.0
	Input Potencia	(W)	900	1,090
EER EER			10.8	10.8
MOISTURE REMOVAL DESHUMIDIFICACION		(Pints/h) (Tinta/h)	3.3	3.0
ROOM CIRCULATION CIRCULACION DE AIRE		(Cf/min) (pie/min)	265	290
DIMENSIONS DIMENSIONES	Height Alto	cm (inches) cm (pulgadas)	38.0 (14 ³¹ / ₃₂)	38.0 (14 ³¹ / ₃₂)
	Width Ancho	cm (inches) cm (pulgadas)	60.0 (23 ⁵ / ₈)	60.0 (23 ⁵ / ₈)
	Depth Profundidad	cm (inches) cm (pulgadas)	56.7 (22 ⁵ / ₁₆)	56.7 (22 ⁵ / ₁₆)
NET WEIGHT PESO NETO		kg (lb) kb (libras)	43 (95)	45(100)
GROSS WEIGHT PESO BRUTO		kg (lb) kb (libras)	45 (100)	47 (105)

* Specifications are subject to change without notice for improvement.

* Las especificaciones están sujetas a cambios por mejoras sin previo aviso.

**Panasonic Consumer Electronics Company,
Division of Matsushita Electric Corporation
of America**

One Panasonic Way
Secaucus, New Jersey 07094

**Panasonic Sales Company,
Division of Matsushita Electric of Puerto Rico, Inc.,**
Ave. 65 de Infanteria, Km. 9.5
San Gabriel Industrial Park
Carolina, Puerto Rico 00985

Panasonic Room Air Conditioner Limited Warranty

Panasonic Consumer Electronics Company or Panasonic Sales Company (collectively referred to as "the Warrantor") will repair this product with new or refurbished parts in case of defects in material or workmanship, free of charge, in the USA or Puerto Rico in accordance to the following (All time periods start from the date of the original purchase).

SEALED REFRIGERATING SYSTEM (compressor and interconnecting tube): FIVE (5) YEARS - PARTS AND LABOR

ALL OTHER COMPONENTS: ONE (1) YEAR - PARTS AND LABOR

In-home service in the USA can be obtained during the warranty period by contacting a Panasonic Service Company (PASC) Factory Servicenter listed in the Servicenter Directory. Or call toll free, 1-800-211-PANA(7262), to locate a PASC authorized Servicenter. In-home service in Puerto Rico can be obtained during the warranty period by calling the Panasonic Sales Company telephone number listed in the Servicenter Directory.

Note: If the unit is installed at the other than normal window height and/or has been custom-installed (e.g., through the wall), the customer is responsible for removing the unit from its installation prior to the performance of in-home service.

This warranty is extended only to the original purchaser. A purchase receipt or other proof of date of the original purchase is required for service and parts replacement under this warranty.

This warranty only covers failures due to defects in materials and workmanship and does not cover normal wear or cosmetic damage. The warranty does not cover damages which occur in shipment, or failures which are caused by products not supplied by the warrantor, or failures which result from accident, misuse, abuse, neglect, mishandling, misapplication, faulty installation, maladjustment of customer controls, improper maintenance, alteration, modification, power line surge, lightning damage, improper voltage supply, commercial use such as hotel, office, restaurant, or other business or rental use of the product, or service by anyone other than a PASC Factory Servicenter or a PASC authorized Servicenter, or damage that is attributable to acts of God.

LIMITS AND EXCLUSIONS

There are no express warranties except as listed above.

THE WARRANTOR SHALL NOT BE LIABLE FOR INCIDENTAL OR CONSEQUENTIAL DAMAGES RESULTING FROM THE USE OF THIS PRODUCT, OR ARISING OUT OF ANY BREACH OF THIS WARRANTY ALL EXPRESS AND IMPLIED WARRANTIES, INCLUDING THE WARRANTIES OF MERCHANTABILITY, ARE LIMITED TO THE APPLICABLE WARRANTY PERIOD SET FORTH ABOVE.

Some states do not allow the exclusion or limitation of incidental or consequential damages or limitations on how long an implied warranty lasts, so the above exclusions or limitations may not apply to you.

This warranty gives you specific legal rights and you may also have other rights which vary from state to state. If a problem with this product develops during or after the warranty period, you may contact your dealer or Servicenter. If the problem is not handled to your satisfaction, then write to the Consumer Affairs Department at the company address indicated above.

SERVICE CALLS WHICH DO NOT INVOLVE DEFECTIVE MATERIALS OR WORKMANSHIP AS DETERMINED BY THE WARRANTOR, IN ITS SOLE DISCRETION, ARE NOT COVERED. COSTS OF SUCH SERVICE CALLS ARE THE RESPONSIBILITY OF THE PURCHASER.

[For assistance, please call: 1-800-211-PANA (7262) or send e-mail to consumerproducts@panasonic.com]

Printed in Korea

Free Manuals Download Website

<http://myh66.com>

<http://usermanuals.us>

<http://www.somanuals.com>

<http://www.4manuals.cc>

<http://www.manual-lib.com>

<http://www.404manual.com>

<http://www.luxmanual.com>

<http://aubethermostatmanual.com>

Golf course search by state

<http://golfingnear.com>

Email search by domain

<http://emailbydomain.com>

Auto manuals search

<http://auto.somanuals.com>

TV manuals search

<http://tv.somanuals.com>