

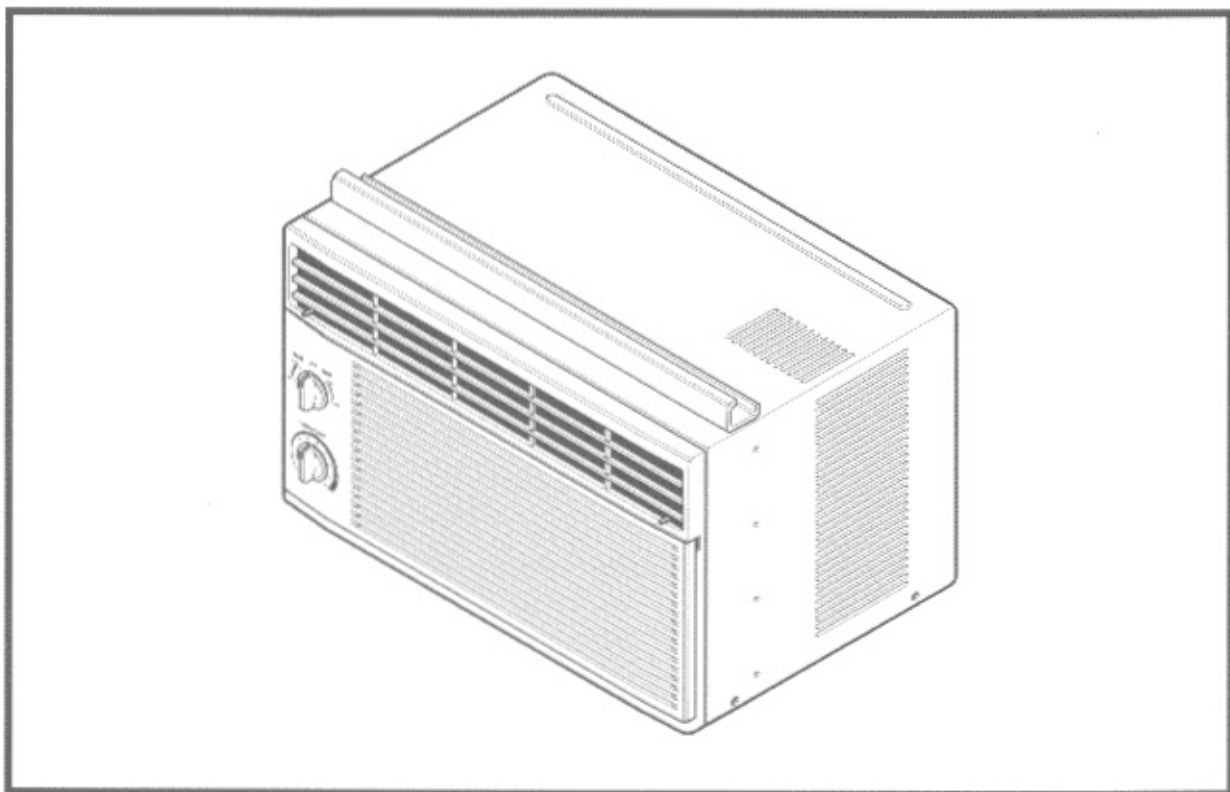
Panasonic[®]

Room Air Conditioner
Climatiseur de fenêtre

INSTALLATION AND OPERATING INSTRUCTIONS

MANUEL D'INSTALLATION ET D'UTILISATION

Model, Modèle : **CW-C50GU**



Please read these operating instructions thoroughly before using your air conditioner and keep for future reference.

Il est recommandé de lire attentivement ce manuel avant d'utiliser l'appareil. Conservez ce manuel.

Safety Precautions

Safety Precautions3

About the Controls on the Air Conditioner

Controls5

Air direction6

Care and Maintenance6

Features and Installation

Features7

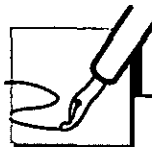
Window Requirements8

Electrical Data10

Before you call for service...

Normal Operation11

Abnormal Operation11



FOR YOUR RECORDS

Write the model and serial numbers here:

Model #

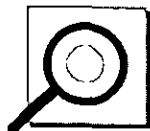
Serial #

You can find them on a label on the side of the unit.

Dealer's Name

Date Purchased

Staple your receipt here for proof of purchase.



READ THIS MANUAL

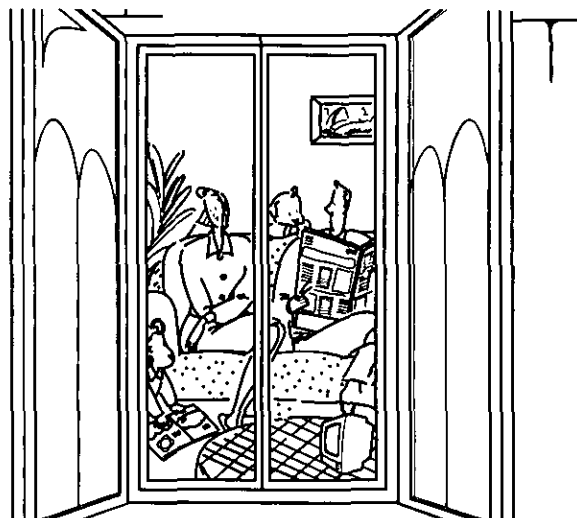
Inside you will find many helpful hints on how to use and maintain your air conditioner properly. Just a little preventive care on your part can save you a great deal of time and money over the life of your air conditioner.

You'll find many answers to common problems in the chart of troubleshooting tips. If you review our chart of **Troubleshooting Tips** first, you may not need to call for service at all.



CAUTION

- Contact an Authorized Service Center for repair or maintenance of this unit.
- The air conditioner is not intended for use by young children or invalids without supervision.
- Young children should be supervised to ensure that they do not play with the air conditioner.




Safety Precautions

To prevent injury to the user or other people and property damage, follow these instructions.

- Incorrect operation due to ignoring of instruction will cause harm or damage. The seriousness is classified by the following indications.
- Because of the heavy weight of the product, it is recommended that you have a helper to assist in the installation.

 **WARNING** : This symbol indicates the possibility of death or serious injury.

 **CAUTION** : This symbol indicates the possibility of injury or damage to properties only.

- Meanings of symbols used in this manual are as shown below.



Be sure not do this.

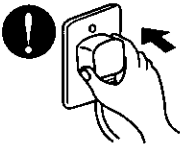


Be sure to follow the instruction.

WARNING

Plug in the power plug properly.

- Otherwise, it will cause electric shock or fire due to heat generation.



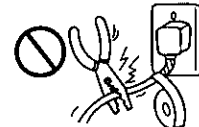
Do not operate or stop the unit by inserting or pulling out the power plug.

- It will cause electric shock or fire due to heat generation.



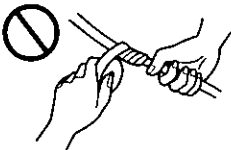
Do not damage or use an unspecified power cord.

- It will cause electric shock or fire.
- If the power cord is damaged, it must be replaced by the manufacturer or its service agent or a similarly qualified person in order to avoid a hazard.



Do not modify power cord length.

- It will cause electric shock or fire due to heat generation.



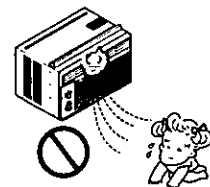
Do not operate with wet hands or in damp environment.

- It will cause electric shock.



Do not direct air flow at room occupants only.

- This could lead to health problem.

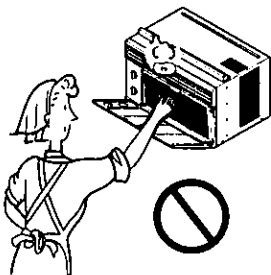




CAUTION

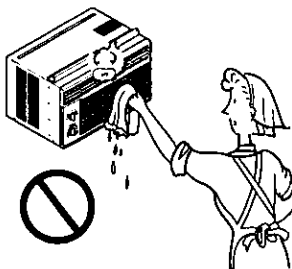
When the air filter is to be removed, do not touch the metal parts of the unit.

- They are sharp and may cause an injury.



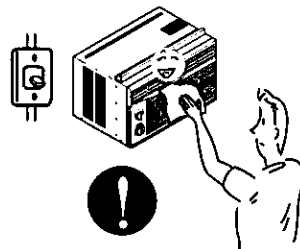
Do not clean the air conditioner with water.

- Water may enter the unit and degrade the insulation. It may cause an electric shock.



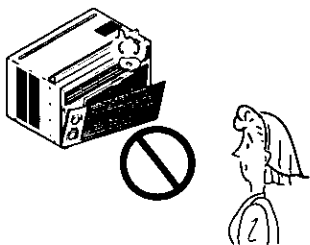
When the unit is to be cleaned, switch the unit off, and turn off the breaker.

- Since the fan rotates at high speed during operation, it may cause an injury.



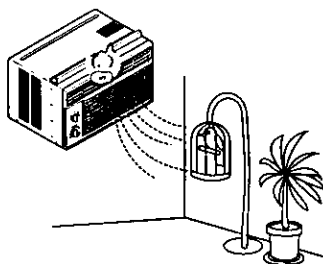
Do not operate the unit without the air filter or when the front intake grille has been removed.

- It could cause dust to accumulate on the heat exchanger.



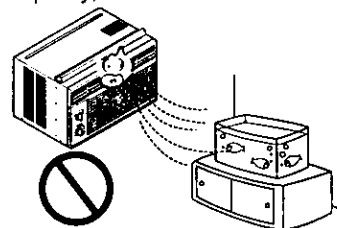
Do not put a pet or house plant where it will be exposed to direct air flow.

- This could injure the pets or plants.



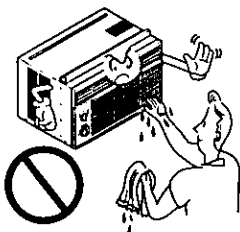
Do not use for special purposes.

- Do not use this air conditioner to preserve precision devices, food, pets, plants, and art objects. It may cause deterioration of quality, etc.



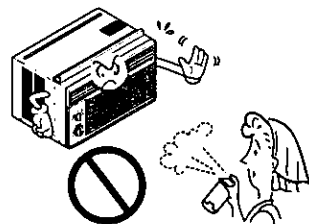
Do not operate switches with wet hands.

- It may cause an electric shock.



Do not apply an insecticide or flammable spray.

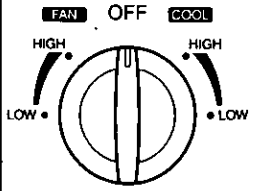
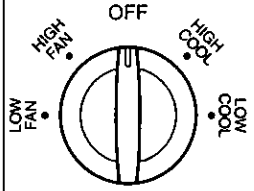
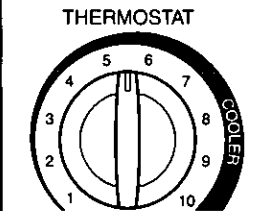
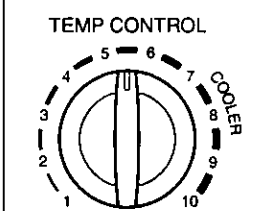
- It may cause a fire or deformation of the cabinet.



About the Controls on the Air Conditioner

The controls will look like one of the following:

Controls

		<p>Off - Turns air conditioner off. High Fan - High speed fan operation without cooling. Low Fan - Low speed fan operation without cooling. High Cool - Cooling with high speed fan operation. Low Cool - Cooling with low speed fan operation.</p>
		<p>This automatically controls the temperature of the indoor air. Turn the knob so that arrow points to the larger marks for greater cooling. Point the arrow to the smaller marks for more moderate cooling. (i.e. the higher the number, the greater the cooling)</p>

About the Controls on the Air Conditioner

• FOR NORMAL COOLING

1. Turn the operation switch to the **High Cool** or the **Low Cool** setting.
2. Set the thermostat control to the desired temperature mark $\frac{5}{10}$ (the mid-point is a good starting position). If the room temperature is not satisfactory after a reasonable time, adjust the control to a cooler or warmer setting, as appropriate.

• FOR MAXIMUM COOLING

1. Turn the operation switch to the High Cool setting.
2. Set the thermostat control to the largest $\frac{10}{10}$ temperature mark.

• FOR QUIETER OPERATION

1. Turn the operation switch to the Low Cool setting.
2. Set the thermostat control as needed.

• CAUTION

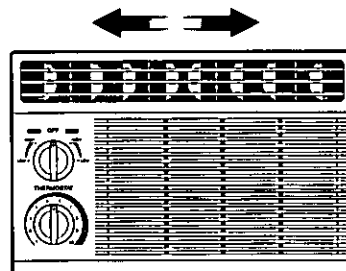
When the air conditioner has performed its cooling operation and is turned off or set to the fan position, wait at least 3 minutes before resetting to the cooling operation again.

Additional controls and important information.

Air Direction

• ADJUSTING THE AIR DIRECTION USING THE HORIZONTAL AIR-DEFLECTOR CONTROL

Using the control tabs, the air flow can be directed to the left, right, straight ahead, or any combination of these directions.



Care and Maintenance

TURN THE AIR CONDITIONER OFF AND REMOVE THE PLUG FROM THE POWER OUTLET.

• TO CLEAN FILTER

The air filter will become dirty as it removes dust from the inside air. It should be washed at least every 2 weeks. If the air filter remains full of dust, the air flow will decrease and the cooling capacity will be reduced, possibly damaging the unit.

1. Pull the inlet grille forward and pull out the air filter. (Fig. 1)
2. Wash the air filter in warm 104°F (40°C) water. Be sure to shake off all the water before replacing the filter.

Do not force open or open too far (about 56°)

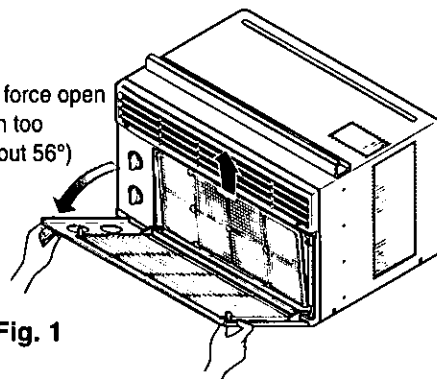


Fig. 1

• CLEANING THE AIR CONDITIONER

The front grille and inlet grille may be wiped with a cloth dampened in a mild detergent solution. (Fig. 2) The cabinet may be washed with mild soap or detergent and lukewarm water, then polished with Liquid Wax for Appliances.

To ensure continued peak efficiency, the condenser coils (outside of unit) should be checked periodically and cleaned if clogged with soot or dirt from the atmosphere.

• HOW TO REMOVE THE FRONT GRILLE

1. Remove the thermostat knob and the operation knob by pulling.
2. Remove the screw securing the front grille. (Fig. 3)
3. Push the grille up from the bottom and pull the top of the grille away from the case as the top tabs lift out of their slots. (Fig. 4)

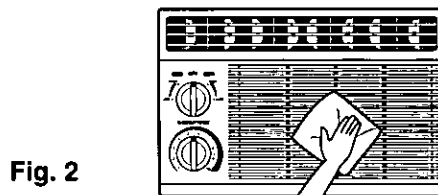


Fig. 2

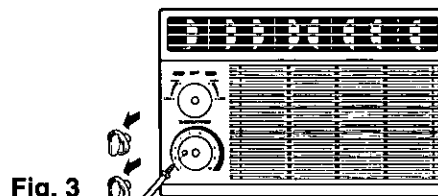


Fig. 3

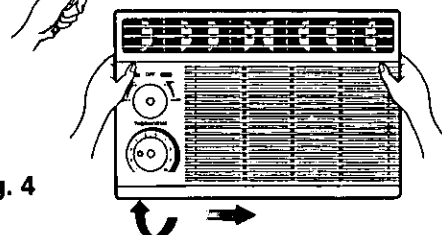
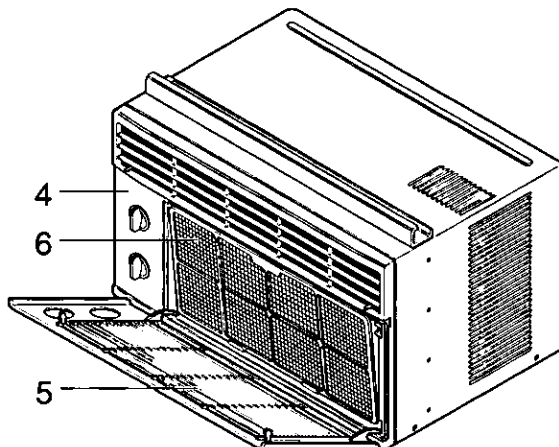
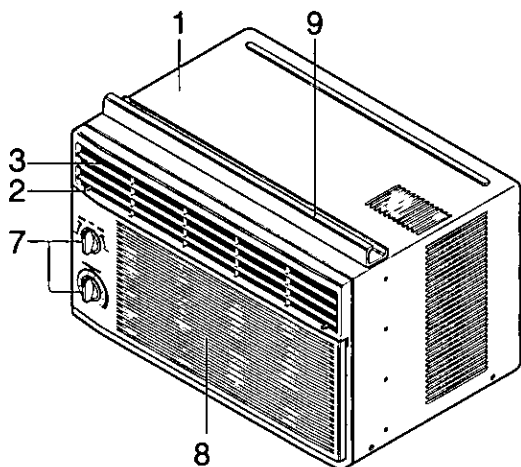


Fig. 4

Features and Installation

Learning parts name prior to installation will help you understand the installation procedure.

Features



- 1. CABINET
- 2. HORIZONTAL AIR DEFLECTOR
- 3. COOL AIR DISCHARGE
- 4. FRONT GRILLE
- 5. INLET GRILLE

- 6. AIR FILTER
- 7. KNOBS
- 8. AIR INTAKE
- 9. UPPER GUIDE

Window Requirements

NOTE: All supporting parts should be secured to firm wood, masonry, or metal.

1. This unit is designed for installation in standard double hung windows with actual opening widths of 22" to 36". The upper and lower sash must open sufficiently to allow a clear vertical opening of 13" from the bottom of the sash to the window stool.
2. If storm window presents interference, fasten a 2" wide wood strip to the inner window sill across the full width of the sill. The wood strip should be thick enough to raise the height of the window sill so that the unit can be installed without interference by the storm window frame. See Fig. 5-2. Top of wood strip should be approximately 3/4" higher than the storm window frame (STORM WINDOW FRAME) or wood strip (OUTDOORS) to help condensation to drain properly to the outside.
3. Install a second wood strip (approximately 6" long by 1 1/2" wide and same thickness as first strip) in the center of the outer sill flush against the back off the inner sill. This will raise the L bracket as shown Fig. 5-2.
4. If the distance between STORM WINDOW FRAME and WOOD STRIP MOUNTED ON TOP OF INNER SILL is more than 1", two of wood strips are not necessary.

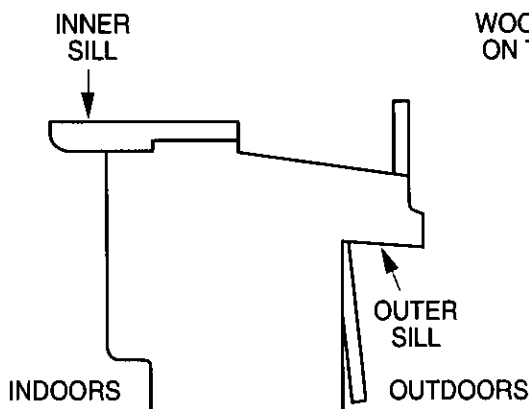


Fig. 5-1

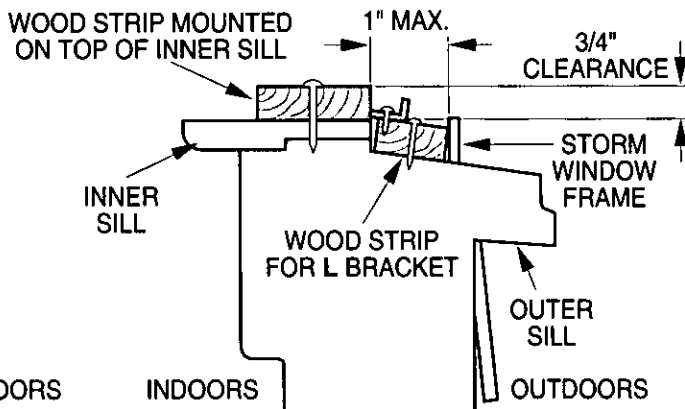
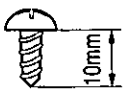
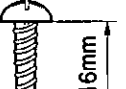




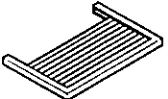


Fig. 5-2

Installation

HARDWARE			DRAIN PIPE
TYPE A: 11EA (SHORT SCREW)	TYPE B: 4EA (WOOD SCREW)	TYPE C: 3EA ("L" BRACKET)	
			
TYPE D: 1EA (SEAL STRIP) (Adhesive backed)	TYPE E: 1EA (SASH SEAL) (Not adhesive backed)	TYPE F: 2EA (GUIDE PANEL)	
			

A. BEFORE INSTALLATION

1. Insert the guide panels into the guides of the air conditioner. Fasten the curtains to the unit with screws (TYPE A) as shown Fig. 6.
2. Cut the adhesive-backed seal strip (TYPE D) to the window width.
Remove the backing from the seal strip and attach the seal strip to the underside of the bottom window. (Fig. 7)

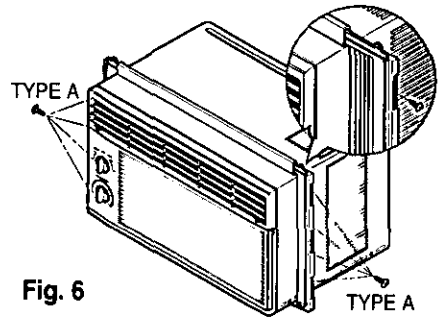


Fig. 6

B. NOW START INSTALLATION

1. LOCATING UNIT IN WINDOW

Open the window and mark the center line on the center of the inner sill, as shown in Fig. 8.

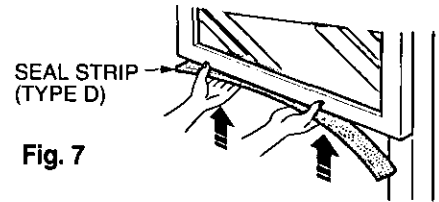


Fig. 7

2. ATTACH "L" BRACKET

- a. Install the "L" brackets behind the inner window sill, with the short side of bracket as shown. Use the 2 screws (TYPE A) provided.
- b. The bracket helps to hold unit securely in place. Be sure to place bracket edge flush against back of inner sill. See Fig. 9.

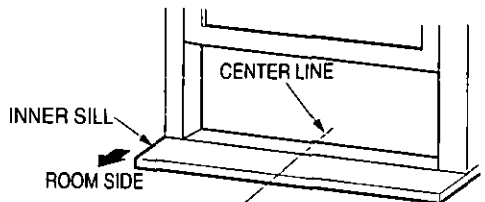


Fig. 8

CAUTION

During the following step, hold unit firmly until window sash is lowered to top channel behind side panel frames. Personal injury or property damage may result if unit falls from window.

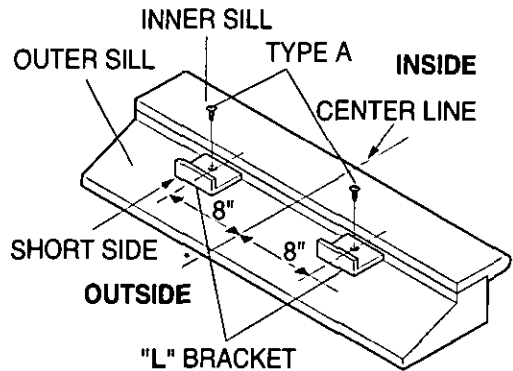


Fig. 9

3. INSTALL THE AIR CONDITIONER IN THE WINDOW

- a. Carefully lift the air conditioner and slide it into the open window. Make sure the bottom guide of the air conditioner drops into the notches of the "L" bracket. See Fig. 9.

IMPORTANT :

When the air conditioner drops into the "L" bracket, the air conditioner will be centered in window opening as shown in Fig. 10.

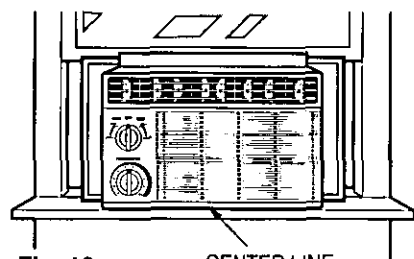


Fig. 10

b. While steadying the air conditioner, carefully bring the window sash down behind the upper guide of the air conditioner, as shown in Fig. 11.

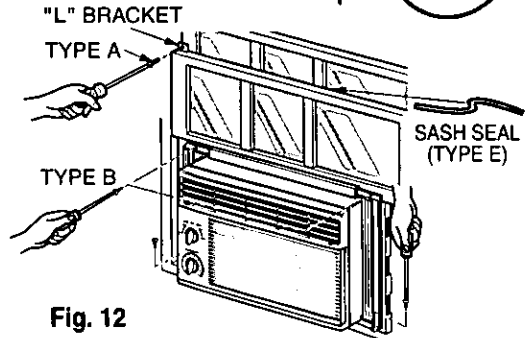
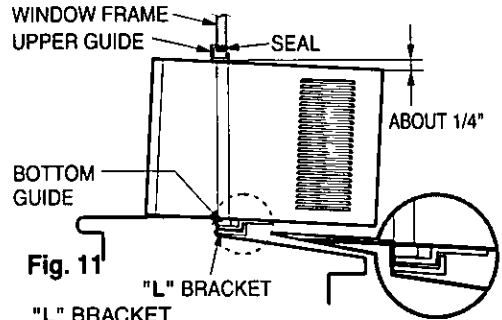
4. SECURE THE GUIDE PANELS

Extend the guide panels (TYPE F) to fill the window opening using 4 screws (TYPE B) to secure them, as shown in Fig. 12.

5. INSTALL THE SASH SEAL AND SASH LOCK

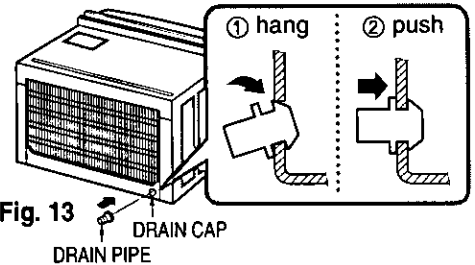
- a. Cut the sash seal (TYPE E) to the window width. Stuff the sash seal between the glass and the window to prevent air and insects from getting into the room, as shown in Fig. 12.
- b. Fasten the "L" bracket using a (TYPE A) screw, as shown in Fig. 12.

6. Window installation of room air conditioner is now completed. See ELECTRICAL DATA for attaching power cord to electrical outlet.



C. HOW TO SECURE THE DRAIN PIPE

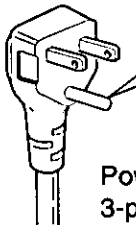

In humid weather, excess water may cause the BASE PAN to overflow. To drain the water, remove the DRAIN CAP and secure the DRAIN PIPE to the rear hole of the BASE PAN. (Fig. 13)



REMOVAL FROM WINDOW

Turn the air conditioner off, disconnect the power cord, remove the "L" bracket and the screws installed through the top and bottom of the guide panels, and save for reinstallation later. Close the guide panels. Keeping a firm grip on the air conditioner, raise the sash, and carefully tilt the air conditioner backward, draining any condensate water. Lift the air conditioner from the window and remove the sash seal from between the windows.

Electrical Data

Line Cord Plug	Use Wall Receptacle	Power Supply
 <p>Do not under any circumstances cut or remove the grounding prong from the plug.</p> <p>Power supply cord with 3-prong grounding plug</p>	 <p>Standard 125V, 3-wire grounding receptacle rated 15A, 125V AC</p>	<p>Use 15 AMP time delay fuse or circuit breaker.</p>

USE OF EXTENSION CORDS

Because of potential safety hazards, we strongly discourage the use of an extension cord. However, if you wish to use an extension cord, use a CSA certified/UL-listed 3-wire (grounding) extension cord, rated 15A, 125V.

Before you call for service...

Troubleshooting Tips save time and money!
Review the chart below first and you may not need to call for service.

Normal Operation

- You may hear a pinging noise caused by water being picked up and thrown against the condenser on rainy days or when the humidity is high. This design feature helps remove moisture and improve efficiency.
- You may hear the thermostat click when the compressor cycles on and off.
- Water will collect in the base pan during high humidity or on rainy days. The water may overflow and drip from the outdoor side of the unit.
- The fan may run even when the compressor does not.

Abnormal Operation

Problem	Possible Causes	What To Do
Air conditioner does not start	■ The air conditioner is unplugged.	• Make sure the air conditioner plug is pushed completely into the outlet.
	■ The fuse is blown/circuit breaker is tripped.	• Check the house fuse/circuit breaker box and replace the fuse or reset the breaker.
	■ Power failure.	• If power failure occurs, turn the mode control to Off . When power is restored, wait 3 minutes to restart the air conditioner to prevent tripping of the compressor overload.
Air conditioner does not cool as it should	■ Airflow is restricted.	• Make sure there are no curtains, blinds, or furniture blocking the front of the air conditioner.
	■ The THERMOSTAT may not be set high enough.	• Turn the knob to a higher number. The highest setting provides maximum cooling.
	■ The air filter is dirty.	• Clean the filter at least every 2 weeks. See the care and Maintenance section.
	■ The room may have been hot.	• When the air conditioner is first turned on, you need to allow time for the room to cool down.
	■ Cold air is escaping.	• Check for open furnace floor registers and cold air returns.
Air conditioner freezing up	■ Cooling coils have iced up.	• See Air Conditioner Freezing Up below.
	■ Ice blocks the air flow and stops the air conditioner from cooling the room.	• Set the mode control at High Fan or High Cool with thermostat at 1 or 2.

Before you call for service...

Mesures de sécurité

Mesures de sécurité13

Instructions de fonctionnement

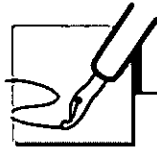
Commandes.....15
Direction de l'air.....16
Nettoyage et entretien.....16

Instructions d'installation

Caractéristiques17
Dimensions de la fenêtre.....18
Données sur Mesures de sécurité électrique20

Avant de placer un appel de service...

Fonctionnement normal ...21
Fonctionnement anormal .21



ENREGISTREMENT

Reportez ici les numéros de modèle et de série :

N° de modèle

N° de série

Ces numéros sont inscrits sur l'étiquette apposée sur le flanc de l'appareil.

Raison sociale du vendeur

Date d'achat

Agrafez votre reçu ici pour la preuve d'achat.



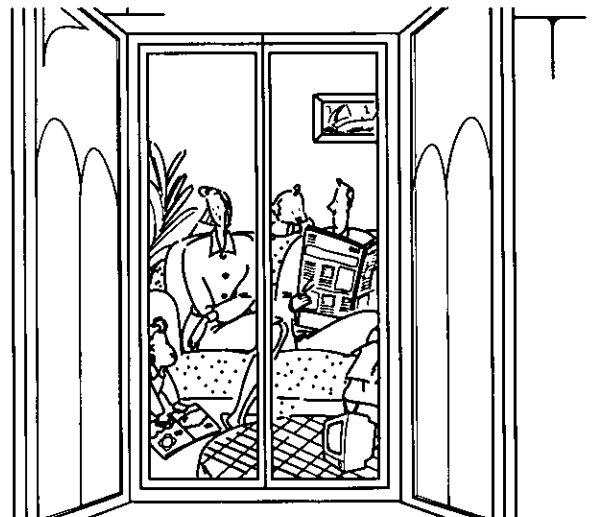
LISEZ CE MANUEL

- Le présent manuel communique de nombreuses et précieuses informations quant à l'utilisation et à la maintenance de ce climatiseur. Un entretien préventif simple se traduit par une longévité accrue du climatiseur, d'où une importante économie de temps et d'argent.
- Les conseils de dépannage permettent de résoudre les problèmes les plus courants. La consultation préalable des **Conseils de dépannage** peut éviter le recours à un technicien de réparation.



ATTENTION

- Toute intervention (réparation ou maintenance) de cet appareil doit être confiée à un centre de service agréé.
- Ce climatiseur n'est pas destiné à être utilisé sans surveillance par de jeunes enfants ou des personnes handicapées.
- Veiller à ne pas laisser de jeunes enfants jouer avec le climatiseur.



Mesures de sécurité

Les instructions ci-après doivent être observées dans le but de prévenir tout risque de dommages corporels ou matériels.

- L'utilisation non conforme, résultant de la négligence des instructions, est susceptible de provoquer des dommages corporels ou matériels dont la gravité est signalée par les indications suivantes :
- À cause du poids lourd du produit, il est recommandé que vous ayez recours à de l'aide pour l'installation.



AVERTISSEMENT : Ce symbole signale un risque de blessure grave, voire mortelle.



ATTENTION : Ce symbole signale un risque limité aux dommages matériels.

- Les significations respectives des symboles utilisés dans ce manuel sont indiquées ci-dessous.



Pratique à éviter impérativement



Instruction à observer impérativement



AVERTISSEMENT

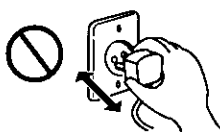
Veillez à brancher correctement votre appareil

- Tout mauvais branchement peut entraîner une surchauffe de votre appareil et causer électrocution ou incendie.



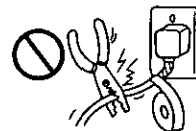
Veillez ne pas mettre en marche ou éteindre votre appareil en branchant ou débranchant votre appareil

- Ceci provoquera une surchauffe et un risque d'électrocution ou d'incendie.



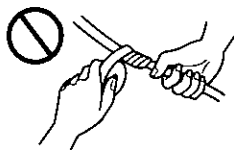
Évitez d'endommager le cordon d'alimentation électrique ou d'utiliser un cordon non recommandé

- Ceci pourrait causer électrocution ou incendie.



Ne modifiez pas la longueur du cordon d'alimentation.

- Ceci pourrait provoquer un choc électrique ou un incendie, dû à une surchauffe.



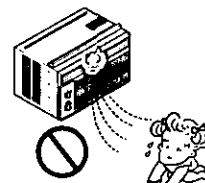
Ne faites pas fonctionner l'appareil les mains mouillées ou dans un endroit humide.

- Il y a risque d'électrocution.



Ne pas diriger l'air sur les personnes seules.

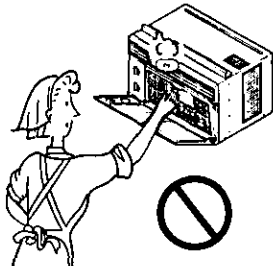
- Ceci pourrait causer des problèmes de santé.



ATTENTION

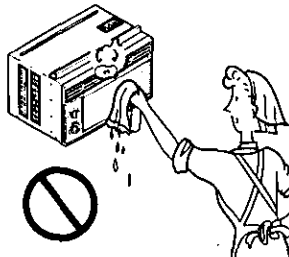
Lorsque le filtre à air doit être retiré, ne pas toucher les parties métalliques de l'appareil.

- Vous risquez de vous blesser.



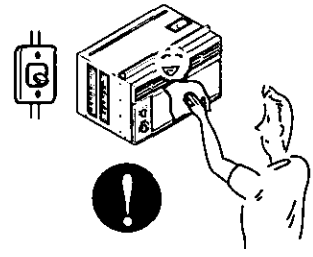
Ne pas nettoyer le climatiseur avec de l'eau.

- L'eau peut s'infiltrer dans l'appareil et affecter l'isolement. Cela peut également provoquer un choc électrique.



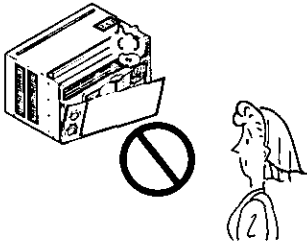
Lorsque l'appareil doit être nettoyé, couper l'alimentation et débrancher la prise d'alimentation ou couper le disjoncteur.

- Le ventilateur de refroidissement tournant à grande vitesse dans l'appareil, cela peut provoquer un accident.



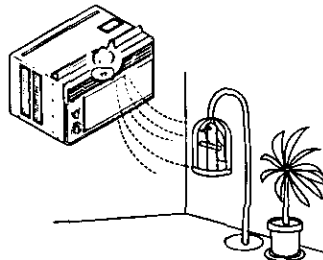
Ne pas opérer l'unité sans le filtre à air ou quand le grillage frontal a été enlevé.

- De la poussière pourrait s'accumuler sur l'échangeur thermique.



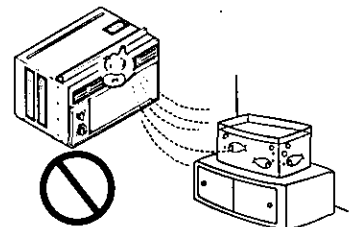
Ne pas placer une plante d'intérieur ou un animal domestique près de l'appareil en risquant de l'exposer directement à l'air froid.

- L'animal comme la plante peuvent en souffrir.



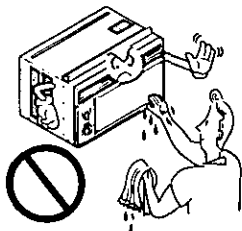
Ne pas se servir de l'appareil à des fins spéciales.

- Le climatiseur ne doit pas être utilisé pour protéger certains appareils de précision, des aliments, des animaux, des plantes et des objets d'art. La qualité risque d'en souffrir.



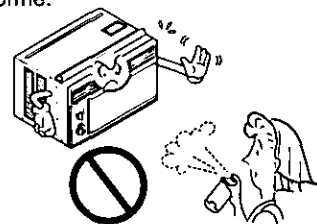
Ne pas actionner les dispositifs de commande les mains mouillées.

- Il y a risque de choc électrique.



Ne pas utiliser d'insecticide à proximité de l'appareil ni de produits inflammables.

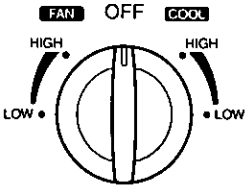
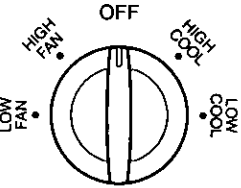
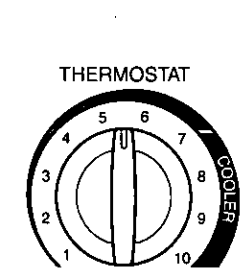
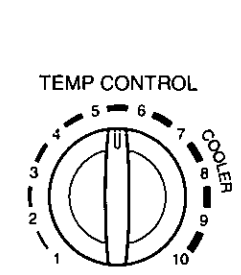
- L'appareil risque de prendre feu ou le coffret risque d'être déformé.



Instructions de fonctionnement

Les commandes ressembleront à l'une des suivantes.

Commandes

		<p>Off - Met le climatiseur hors tension.</p> <p>High Fan - Fait fonctionner le ventilateur à haute vitesse sans refroidissement.</p> <p>Low Fan - Fait fonctionner le ventilateur à basse vitesse sans refroidissement.</p> <p>High Cool - Refroidit tout en ventilant à haute vitesse.</p> <p>Low Cool - Refroidit tout en ventilant à basse vitesse.</p>
		<p>Cette fonction contrôle automatiquement la température de l'air ambiant. Tournez le bouton en direction des chiffres les plus grands pour un refroidissement plus puissant. Faites-le pointer vers les petits chiffres si vous désirez une ambiance moins fraîche. Plus le chiffre est élevé, plus le refroidissement est puissant.</p>

Instructions d'utilisation

• POUR UN REFROIDISSEMENT NORMAL

1. Tournez le bouton des fonctions à la position de refroidissement élevé **High Cool** ou de refroidissement faible **Low Cool**.
2. Réglez le thermostat à la température désirée ⁵ (la position du milieu est un bon point de départ). Si la température ambiante n'est pas satisfaisante après un certain temps, ajustez la position à un degré plus froid ou plus chaud, au besoin.

• POUR UN REFROIDISSEMENT MAXIMAL

1. Tournez le bouton des fonctions à la position de refroidissement élevé **High Cool**.
2. Réglez le thermostat à la position la plus froide, représentée par le plus grand ₁₀ des chiffres.

• POUR UN FONCTIONNEMENT PLUS SILENCIEUX

1. Tournez le bouton des fonctions au réglage de refroidissement faible **Low Cool**.
2. Réglez le thermostat à la température voulue.

• MISE EN GARDE

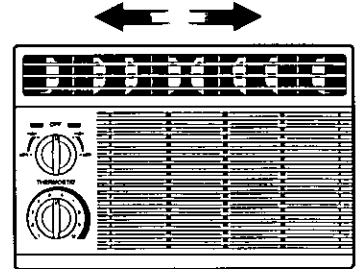
Après avoir changé la position du climatiseur de "Cool" (froid) à "Off" (fermé) ou "Fan" (ventilateur), attendez au moins 3 minutes avant de le remettre à la position "Cool".

Commandes supplémentaires et renseignements importants.

Direction de l'air

• POUR AJUSTER LA DIRECTION DE L'AIR À L'AIDE DE LA COMMANDE DE DIRECTION HORIZONTALE DE L'AIR

En vous servant des languettes de contrôle, vous pouvez diriger la circulation d'air vers la gauche, la droite, droit devant ou n'importe quelle combinaison de ces directions.



Nettoyage et entretien

FERMEZ LE CLIMATISEUR ET DÉBRANCHEZ LA FICHE DE LA PRISE DE COURANT.

• NETTOYER LE FILTRE

Le filtre à air se salira inévitablement puisqu'il retire les particules de poussière de l'air ambiant. Vous devriez le nettoyer à toutes les 2 semaines. Si le filtre demeure sale, la circulation d'air diminuera et la capacité de refroidissement en sera sérieusement diminuée, pouvant même endommager l'appareil.

1. Tirez sur le grillage d'admission d'air vers vous; retirez le filtre à air (Schéma 1).
2. Nettoyez le filtre dans de l'eau tiède (environ 104°F-40°C). Assurez-vous de bien secouer le filtre et de retirer toute l'eau avant de le remettre en place.

• NETTOYER LE CLIMATISEUR

Vous pouvez nettoyer le grillage frontal et le grillage d'admission d'air à l'aide d'un chiffon humecté d'un détergent doux (Schéma 2).

Vous pouvez également nettoyer le boîtier en utilisant un savon ou détergent doux et de l'eau tiède, puis faites-le briller à l'aide de cire liquide pour appareils électroménagers.

Afin de maintenir une performance constante de l'appareil, les bobines de condensateur (du côté extérieur) doivent être vérifiées régulièrement; nettoyez-les si elles sont bloquées par la suie ou par les saletés provenant du dehors.

• COMMENT ENLEVER LE GRILLAGE FRONTAL

1. Retirez les boutons du thermostat et des fonctions en tirant dessus.
2. Retirez la vis qui tient le grillage frontal (Schéma 3).
3. Poussez sur le grillage vers le haut, à partir du bas, et tirez sur le dessus de façon à l'éloigner du boîtier; les languettes supérieures sortiront de leurs fentes (Schéma 4).

Ne forcez pas pour ouvrir et ne l'ouvrez pas trop bas (environ 56°)

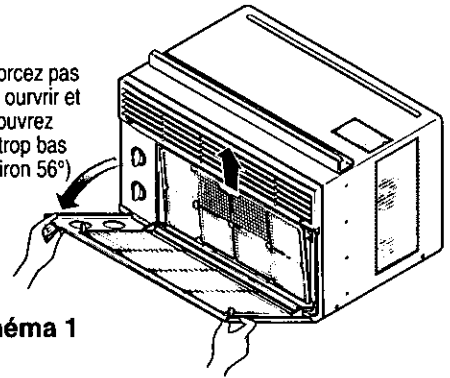


Schéma 1

Schéma 2

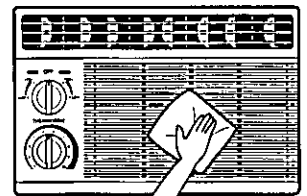


Schéma 3

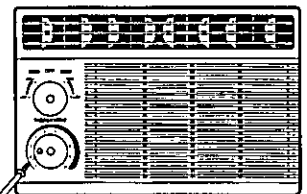
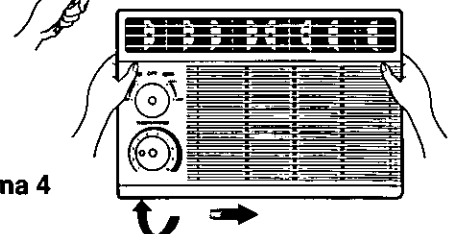


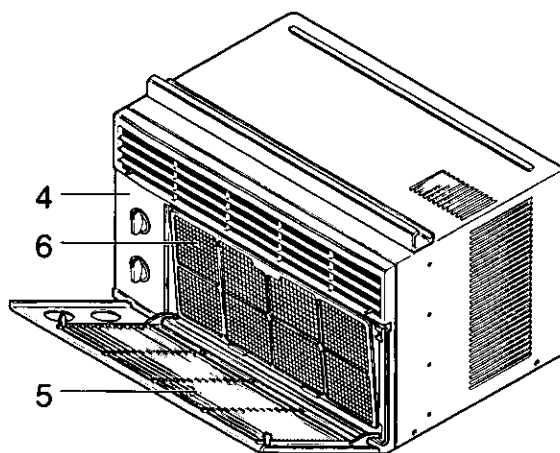
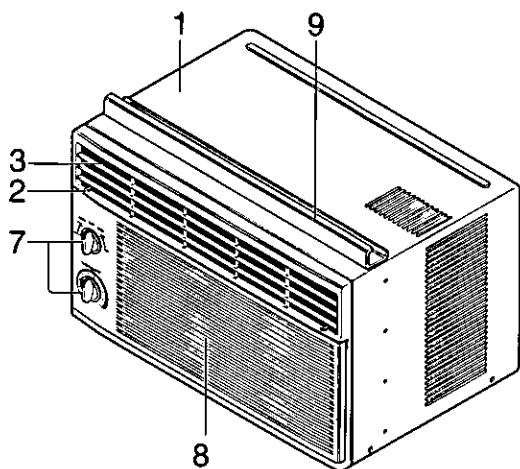
Schéma 4



Instructions d'installation

Apprendre le nom des pièces avant l'installation vous aidera à mieux comprendre le processus d'installation

Caractéristiques



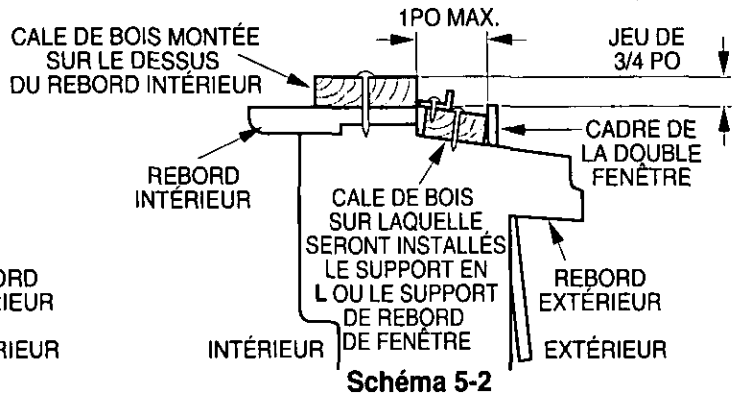
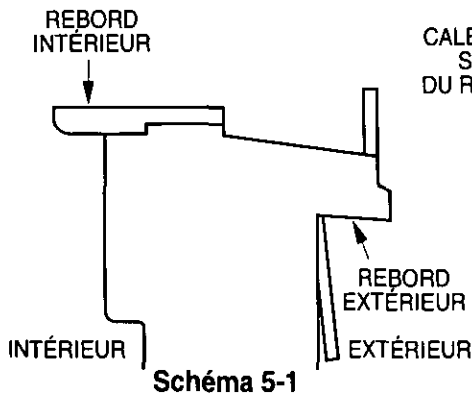
1. BOÎTIER
2. DÉFLECTEUR D'AIR HORIZONTAL
3. DÉCHARGE D'AIR FROID
4. GRILLAGE FRONTAL
5. GRILLAGE D'ADMISSION D'AIR

6. FILTRE À AIR
7. BOUTONS
8. PRISE D'ADMISSION D'AIR
9. GUIDE SUPÉRIEUR

Dimensions de la fenêtre

REMARQUE: Toutes les pièces de support doivent être ancrées solidement dans du bois franc, de la maçonnerie ou du métal.

1. Cet appareil a été conçu pour être installé dans des fenêtres doubles à guillotine dont la largeur d'ouverture varie entre 22 po et 36 po . Le châssis du haut et celui du bas doivent s'ouvrir suffisamment pour permettre une ouverture verticale de 13 po à partir du bas du châssis jusqu'au rebord de la fenêtre.
2. Si le cadre de la fenêtre extérieure gêne l'installation en n'offrant pas une pente de drainage suffisante, fixez une cale de bois de 2 po/50mm de large sur toute la largeur du rebord intérieur de la fenêtre. La cale de bois doit être assez épaisse pour remonter la hauteur du rebord intérieur de la fenêtre, de manière à ce que le climatiseur puisse être installé sans problème. Voir le schéma 5-2. Le dessus de la cale de bois doit dépasser le cadre de la fenêtre d'environ 3/4 po afin de créer une pente qui facilitera le drainage de la condensation vers l'extérieur.
3. Fixez une deuxième cale de bois (de 6 po/150mm de long, 1 1/2 po/38 mm de large et de la même épaisseur que la première) au centre du rebord extérieur de la fenêtre, en la coinçant contre l'arrière du rebord intérieur. Vous soulèverez ainsi le support en L ou celui pour le rebord de la fenêtre selon le cas, tel qu'illustré au schéma 5-2.
4. Si la distance entre "CALE DE BOIS MONTÉE SUR LE DESSUS DU REBORD INTÉRIEUR" et "CADRE DE LA DOUBLE FENÊTRE" est plus de 1 po, deux bandes en bois ne sont pas nécessaires.



Installation

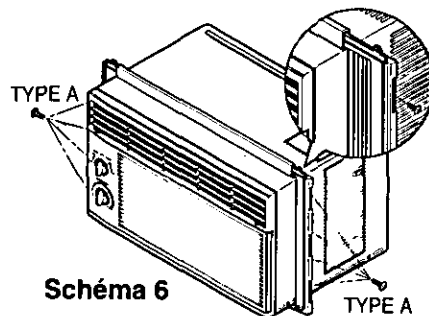
MATÉRIEL REQUIS POUR L'INSTALLATION

TYPE A: Qté:11 (Vis courte)	TYPE B: Qté:4 (Vis à bois)	TYPE C: Qté:3 (Support en L)	TUYAU D'ÉVAUATION
TYPE D: Qté:1 (Bande d'étanchéité) (Endos adhésif)	TYPE E: Qté:1 (Bande d'étanchéité) (Sans endos adhésif)	TYPE F: Qté:2 (Panneaux coulissants)	

Instructions d'installation

A. AVANT L'INSTALLATION

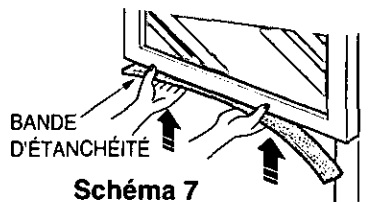
1. Insérez les panneaux coulissants dans les guides du climatiseur, Fixez les panneaux coulissants à l'appareil en vous servant des vis de type A, tel qu'illustré au schéma 6.
2. Coupez la bande d'étanchéité autocollante (Type D) selon la largeur de la fenêtre. Retirez l'endos autocollant de la bande et collez-la sur le dessous de la fenêtre du bas. (Voir le schéma 7)



B. COMMENCEZ L'INSTALLATION MAINTENANT

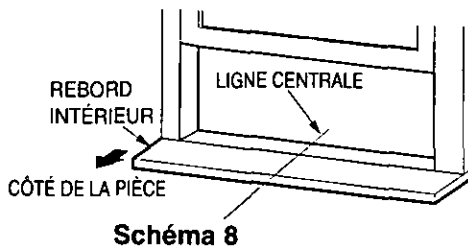
1.EMPLACEMENT DE L'APPAREIL DANS LA FENÊTRE

Ouvrez la fenêtre et faites une marque au centre du rebord intérieur, tel qu'illustré au schéma 8.



2. ATTACHEZ LES SUPPORTS EN L

- a. Installez les supports en L derrière le seuil de la fenêtre intérieure, avec le côté court des console somme montré. Utilisez les 2 vis (Type A) fournis. Le support sert à maintenir l'appareil en place de façon plus sécuritaire.
- b. Assurez-vous de le fixer contre l'arrière du rebord intérieur. Voir schéma 9.

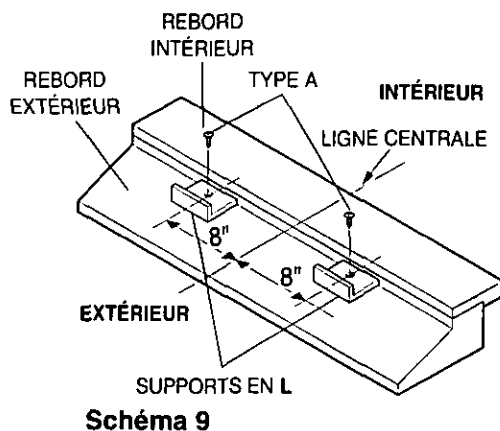


ATTENTION

Durant les étapes qui suivent, tenez le climatiseur fermement jusqu'à ce que le châssis de la fenêtre soit descendu et fermement appuyé sur la rainure supérieure, qui se trouve derrière les panneaux latéraux. La chute de l'appareil pourrait causer des blessures ou des dommages à la propriété.

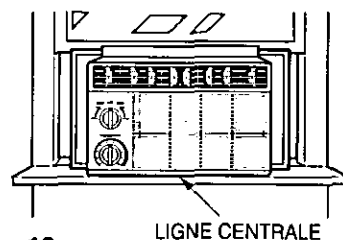
3. INSTALLEZ LE CLIMATISEUR À LA FENÊTRE

- a. Levez doucement le climatiseur et glissez-le dans la fenêtre ouverte. Assurez-vous que le guide sous le climatiseur tombe dans les coches des supports en L. Voir le Schéma 9.



IMPORTANT :

Lorsque le climatiseur tombe dans les supports en L, le climatiseur sera maintenant centré dans la fenêtre, tel qu'illustré au schéma 10.



- b. Pendant que vous stabilisez le climatiseur, descendez tranquillement le châssis de la fenêtre en arrière du guide supérieur du climatiseur, tel qu'illustré au schéma 11.

4. ATTACHEZ LES PANNEAUX COULISSANTS

Étirez les panneaux coulissants de façon à ce qu'ils occupent toute l'ouverture de la fenêtre et attachez-les à l'aide des 4 vis (Type B), tel qu'illustré au schéma 12.

5. INSTALLEZ LA BANDE ET LE SUPPORT DU CHÂSSIS

- a. Coupez la bande d'étanchéité du châssis selon la largeur de la fenêtre. Bourrez l'espace entre la fenêtre et le verre avec la bande d'étanchéité de façon à empêcher l'air et les insectes d'entrer dans la pièce, tel qu'illustré au schéma 12.
- b. Vissez le support du châssis en vous servant d'une vis de type A, tel qu'illustré au schéma 12.

6. Vous avez maintenant complété l'installation de votre climatiseur. Consultez la section sur les MESURES DE SÉCURITÉ ÉLECTRIQUE pour tous les détails du branchement du fil d'alimentation à la prise de courant.

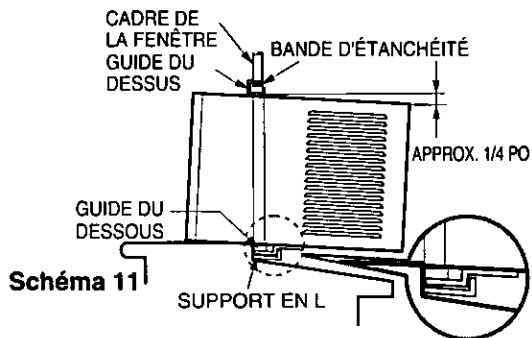


Schéma 11

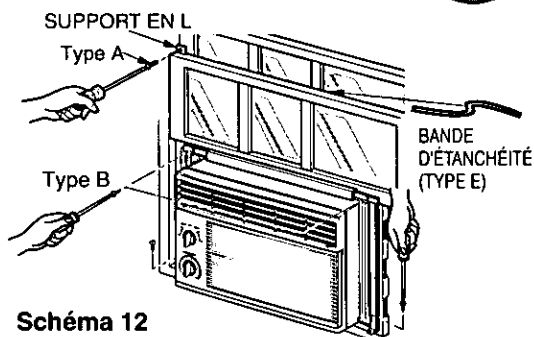


Schéma 12

C. COMMENT FIXER LE TUYAU D'ÉVACUATION

En temps humide, l'eau peut causer le débordement du BAC DE LA BASE. Pour évacuer l'eau, enlevez le capuchon d'évacuation et fixez le tuyau d'évacuation à l'orifice arrière du BAC DE LA BASE. (Schéma 13)

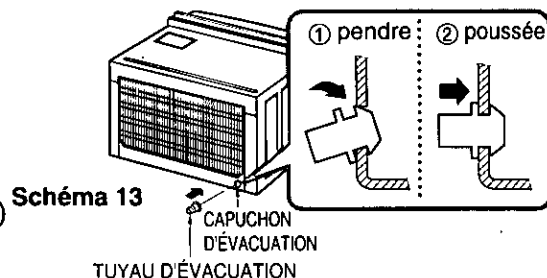


Schéma 13

RETRAIT DE LA FENÊTRE

Tournez le bouton des fonctions à la position "Off" (hors tension), débranchez le fil d'alimentation et retirez le support en L du châssis et les vis installées au haut et au bas des panneaux coulissants. Conservez ces vis pour toute installation ultérieure. Refermez les panneaux coulissants. En tenant solidement le climatiseur, soulevez le châssis de la fenêtre à guillotine et penchez lentement l'appareil par en arrière en prenant soin de récolter d'eau qui pourrait couler. Sortez le climatiseur de la fenêtre; retirez ensuite la bande d'étanchéité du châssis qui se trouve entre les fenêtres.

Mesures de sécurité électrique

Fiche du cordon d'alimentation	Utilisez ce type de prise murale	Source d'alimentation
<p>Ne coupez ni n'enlevez en aucun cas la broche de mise à la masse de la fiche.</p> <p>Fil d'alimentation avec fiche à 3 broches de type mise à la masse</p>	<p>Réceptacle standard de 125V à 3 fils avec mise à la masse, capacité de 15A, 125V CA</p>	<p>Utilisez un fusible à retardement de 15 A ou un disjoncteur</p>

UTILISATION DE CORDONS PROLONGATEUR

À cause des dangers potentiels nous vous déconseillons fortement l'utilisation de cordons prolongateur. Toutefois, si vous tenez à les utiliser, servez-vous d'un cordon prolongateur à 3 fils homologué par l'ACNOR, dont la capacité est de 15A, 125V.

Avant de placer un appel de service...

Quelques conseils pour vous dépanner:
Épargnez temps et argent! Révisez le tableau ci-dessous et vous éviterez peut-être un appel de service.

Fonctionnement normal

- Il se peut que vous entendiez un cliquettement causé par l'eau qui est soulevée et projetée contre le condensateur lors des jours de pluie ou lorsque le taux d'humidité est élevé. Cette caractéristique sert à réduire l'humidité et améliorer l'efficacité de l'appareil.
- Il se peut que vous entendiez le thermostat émettre des déclics lorsque le compresseur se met en/hors fonction.
- L'eau s'accumulera dans le bac de la base lors des jours très humides ou des jours de pluie. L'eau peut déborder et s'égoutter à l'extérieur de l'appareil.
- Le ventilateur peut fonctionner même si le compresseur est inactif.

Fonctionnement anormal

PROBLÈME	CAUSES POSSIBLES	SOLUTION
Le climatiseur ne part pas.	<ul style="list-style-type: none"> ■ Le climatiseur est débranché ■ Le fusible est sauté ou le disjoncteur, déclenché dans la boîte électrique. ■ En cas de panne de courant 	<ul style="list-style-type: none"> • Assurez-vous de bien enfoncer la fiche du climatiseur dans la prise de courant. • Vérifiez le fusible ou le disjoncteur, remplacez le fusible ou remettez le disjoncteur en fonction. • S'il y a eu panne de courant, tournez la commande des fonctions à la position hors circuit Off. Après avoir ramené le courant, attendez 3 minutes avant de repartir le climatiseur, ce qui empêchera de déclencher la surcharge du compresseur.
Le climatiseur ne refroidit pas de manière efficace.	<ul style="list-style-type: none"> ■ Il y a blocage de la circulation d'air. ■ Le réglage du thermostat n'est peut-être pas suffisamment élevé. ■ Le filtre à air est sale. ■ Il se peut que la pièce ait été excessivement chaude avant de partir le climatiseur. ■ Il y a de l'air froid qui s'échappe. ■ Les bobines de refroidissement sont recouvertes de glace. 	<ul style="list-style-type: none"> • Assurez-vous d'éloigner tout rideau, store ou meuble pouvant obstruer l'avant du climatiseur. • Tournez le bouton de réglage à un numéro plus élevé. Le chiffre le plus élevé procure un refroidissement maximum. • Nettoyez régulièrement le filtre (au moins à toutes les deux semaines). Consultez la section des instructions de fonctionnement à ce sujet. • Lorsque vous mettez le climatiseur en marche pour la première fois, vous devez lui laisser suffisamment de temps pour refroidir la pièce. • Vérifiez si les registres du système de chauffage au plancher et les retours d'air froid sont fermés. • Consultez la rubrique "Le climatiseur est gelé" ci-dessous.
Le climatiseur est gelé	<ul style="list-style-type: none"> ■ Le givre bloque la circulation d'air et empêche le climatiseur de refroidir la pièce 	<ul style="list-style-type: none"> • Réglez la commande des fonction à la position élevée du ventilateur "High Fan" ou de refroidissement élevé "High Cool" en ajustant le thermostat à 1 ou 2.

Precauciones Importantes de Seguridad

Precauciones Importantes de seguridad23

Instrucciones de Funcionamiento

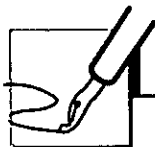
Instrucciones de Funcionamiento25
 La dirección del aire26
 Cuidado y Mantenimiento.....26

Requerimientos de la Ventana

Características27
 Requerimientos de la Ventana28
 Información Eléctrica.....30

Antes de avisar al Servicio Técnico

Operación normal31
 Operación anormal31



PARA SU INFORMACION

Escriba aquí los números de serie y modelo de las unidades exterior e interior:

Nº de Modelo _____

Nº Serie _____

Los números figuran en una etiqueta en el lateral de cada unidad.

Distribuidor _____

Fecha de compra _____

Adjunte su recibo aquí para probar que lo adquirió.



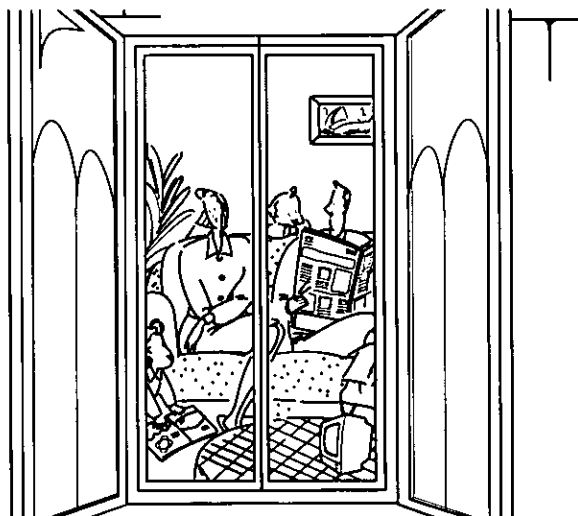
LEA ESTE MANUAL

- Aquí encontrará numerosas sugerencias sobre cómo utilizar y mantener adecuadamente su acondicionador de aire. Con unos cuantos cuidados preventivos se puede ahorrar mucho tiempo y dinero a lo largo de la vida útil de su acondicionador de aire.
- En la tabla de sugerencias para la resolución de problemas encontrará respuestas a la mayoría de los problemas más comunes. Si consulta primero la tabla de **Sugerencias para la resolución de problemas**, quizá ni siquiera necesite avisar al servicio técnico.



PRECAUCION

- Consulte con el servicio técnico autorizado sobre la reparación o el mantenimiento de esta unidad.
- El acondicionador de aire no debe ser utilizado por niños pequeños o personas inestables sin supervisión.
- Es preciso vigilar a los niños pequeños para asegurarse de que no juegan con el acondicionador de aire.



Precauciones Importantes de Seguridad

Para prevenir tanto lesiones al usuario u otras personas como daños materiales, es preciso seguir estas instrucciones.

- El manejo incorrecto debido a la inobservancia de estas instrucciones puede causar lesiones o daños cuya gravedad está clasificada en las siguientes indicaciones.
- A causa del peso pesado del producto, se recomienda que usted tenga a un ayudante a participa en la instalación.



ADVERTENCIA

Este símbolo indica la posibilidad de lesiones mortales o graves.



PRECAUCION

Este símbolo indica la posibilidad de lesiones o daños materiales.

- El significado de los símbolos utilizados en este manual se indica a continuación.



Asegúrese de no hacerlo.



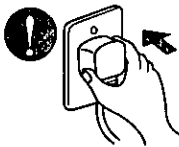
Asegúrese de seguir las instrucciones.



WARNING

Conecte correctamente el enchufe

- De otra forma, ello ocasionaría una descarga eléctrica o incendio a causa de la generación de calor.



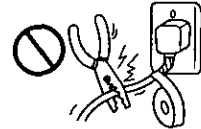
No opere o pare la unidad insertando o tirando del enchufe

- Ello ocasionaría una descarga eléctrica o incendio a causa de la generación de calor.



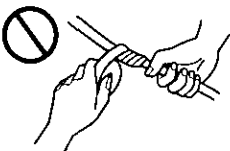
No dañe o utilice un cable eléctrico inadecuado

- Ello ocasionaría una descarga eléctrica o incendio.



No modifique el largo del cable eléctrico.

- Ello ocasionaría una descarga eléctrica o incendio a causa de la generación de calor.



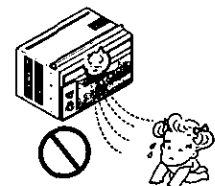
No lo maneje con las manos húmedas

- Puede ocasionar una descarga eléctrica.



No exponga durante mucho tiempo la piel al aire frío procedente directamente del acondicionador.

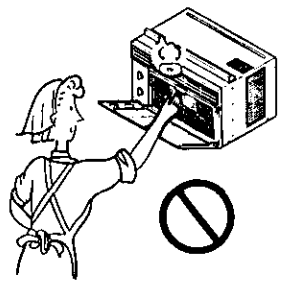
- Esto podría dirigir al problema de la salud.



⚠ CAUTION

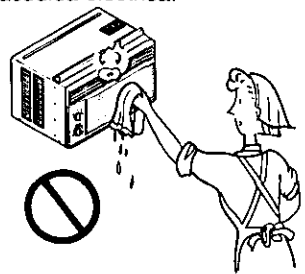
Quando se vaya a quitar el filtro de aire no toque las partes metálicas de la unidad interior.

- Esto podría causar heridas.



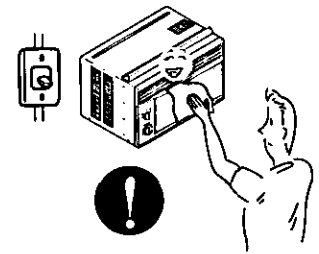
No limpie el acondicionador de aire con agua.

- El agua podría entrar en la unidad y degradar el aislamiento. También podría causar una sacudida eléctrica.



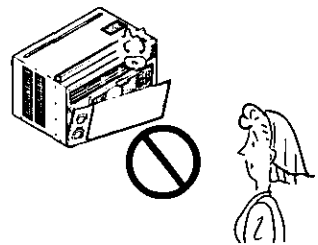
Quando limpie la unidad, desconecte la alimentación y desconecte también el disyuntor.

- Puesto que el ventilador gira a alta velocidad durante la operación, podría ocasionar heridas.



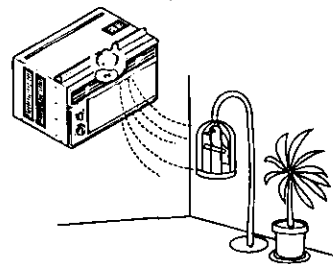
No opere sin el filtro de aire o cuando la rejilla frontal de toma de aire haya sido removida.

- Podría causar acumulación de polvo en el intercambiador de calor.



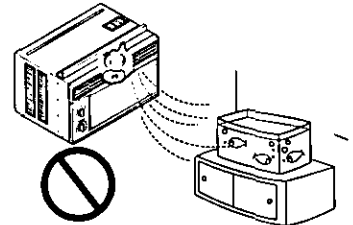
No ponga un animal doméstico ni una planta donde quede directamente expuesto al flujo de aire.

- Esto podría dañar al animal o a la planta.



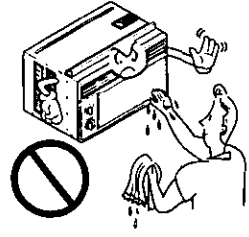
No lo utilice para propósitos especiales.

- No utilice este acondicionador de aire para conservar dispositivos de precisión, alimentos y objetos de arte; no ponga tampoco animales y plantas cerca de él. Esto podría deteriorar la calidad, etc.



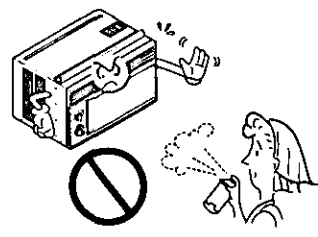
No manipule los interruptores con las manos mojadas.

- Esto podría causar una sacudida eléctrica.



No aplique aerosoles con insecticida o productos inflamables.

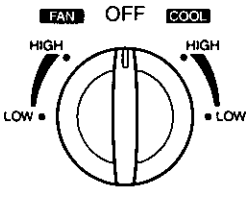
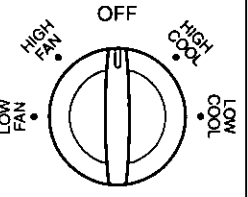
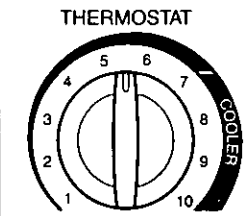
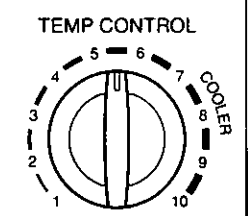
- Esto podría causar un incendio o deformar la caja.



Instrucciones de Funcionamiento

La apariencia de los controles será como uno de los siguientes.

Controles

		<p>Off - Apaga el acondicionador.</p> <p>High Fan - Permite la velocidad rápida del ventilador.</p> <p>Low Fan - Permite la velocidad lenta del ventilador.</p> <p>High Cool - Permite el enfriamiento con el ventilador en alta velocidad.</p> <p>Low Cool - Permite el enfriamiento con el ventilador en baja velocidad.</p>
		<p>La temperatura del aire interno será controlada automáticamente. Mientras más alta sea la marca más frío estará el aire interno. La temperatura se selecciona posicionando el control en la marca deseada.</p>

• PARA UN ENFRIAMIENTO NORMAL

1. Ponga el botón de operation en **High Cool** o **Low Cool**.
2. Ajuste el control del Termostat en la marca deseada 5 (usualmente el punto medio es un buen punto para comenzar). Si la temperatura del cuarto no es satisfactoria después de un período de tiempo razonable, ajuste el control de temperatura a una marca más grande (para una temperatura interna más fría) o a una marca más pequeña (para que la temperatura interna sea menos fría).

• PARA UN ENFRIAMIENTO MAXIMO

1. Ponga el botón de operation en la marca más grande.
2. Ponga el control del Termostat en la marca 10 más grande.

• PARA UNA OPERACIÓN SILENCIOSA

1. Ponga el botón de operation en la marca más pequeña.
2. Ponga el termostat en la temperatura interior deseada.

• ADVERTENCIA

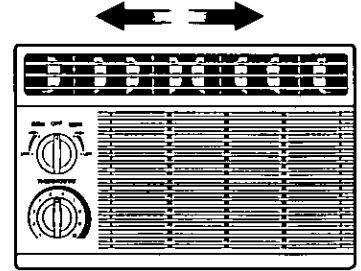
Cuando el aire acondicionado ha estado operando bajo la fase de enfriamiento y se apaga o se ajusta la posición de ventilación, espere por lo menos 3 minutos, antes de reiniciar la operación de enfriamiento.

Controles adicionales e información importante.

La dirección del aire

• PARA AJUSTAR LA DIRECCION DEL AIRE USANDO CONTROL DE LA DIRECCION DEL AIRE

Las dos lengüetas horizontales para el control de las rejillas le permiten descargar el aire hacia la izquierda, o algo de aire a la izquierda y otro a la derecha, o todo el aire hacia el frente, o cualquier combinación de las posiciones mencionadas.



Cuidado y Mantenimiento

APAGUE EL AIRE ACONDICIONADO Y SAQUE EL ENCHUFE DEL TOMA CORRIENTE DE LA PARED.

• PARA LIMPIAR EL FILTRO

Limpie el Filtro del Aire, que extrae el polvo interior del cuarto.

Debe ser lavado por lo menos cada dos semanas. Un filtro de Aire sucio disminuye el flujo de aire y la capacidad de enfriamiento se reduce.

1. Saque el Filtro de Aire de la parrilla frontal halando hacia la izquierda (ver Fig. 1).
2. Lave el Filtro de Aire con agua tibia. Sacúdalo bien cuando esté limpio para sacar la humedad completamente. Colóquelo en su lugar.

No debe forzar a abrir o abrir a lo lejos. (aproximadamente 56°)

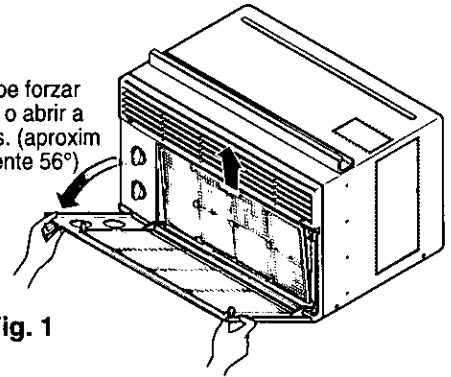


Fig. 1

• LIMPIEZA DEL AIRE ACONDICINADO

La parrilla frontal puede ser limpiada con un trapo húmedo mojado en un detergente suave (ver Fig. 2).

El gabinete puede ser lavado con jabón suave o detergente y agua tibia, entonces pulido Cera Liquida para aparatos.

Para asegurarse una eficiencia continua, las bobinas del condensador (del lado expuesto al exterior) debe ser revisado y lavado periódicamente sea por que se tranque con basura o polvo de la atmosférico.

• COMO REMOVER LA PARRILLA FRONTAL

1. Saque el Filtro de Aire halando hacia la izquierda.
2. Saque el tornillo que asegura la Parrilla Frontal (ver Fig. 4)
3. Suelte el lado izquierdo primero. Después cuidadosamente hale desde la parte de arriba y empuje hacia la derecha. Las lengüetas están aseguradas.

Fig. 2

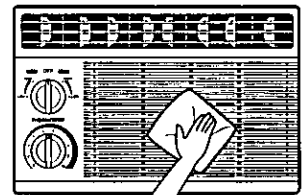


Fig. 3

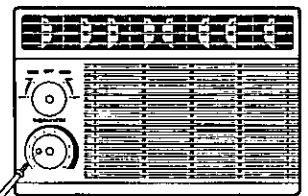
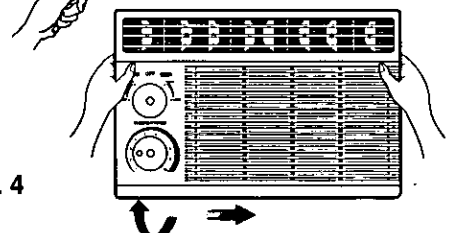
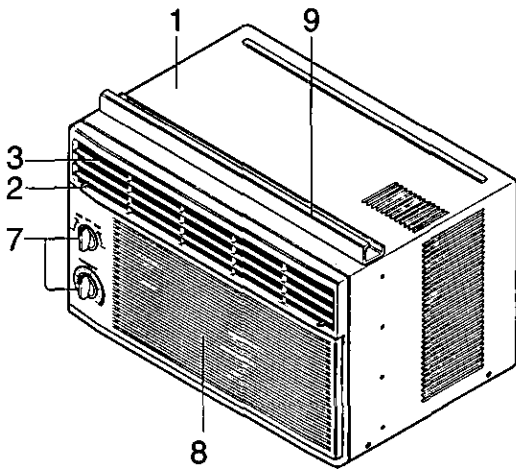


Fig. 4

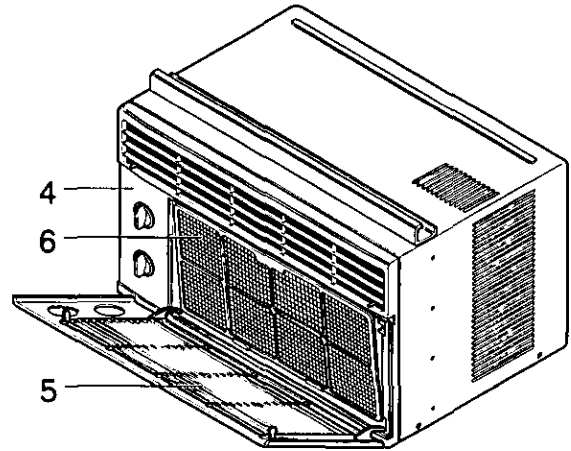


Aprender el nombre de las partes antes de la instalación le ayudará a entender el proceso de instalación.

Características



1. GABINETE
2. DEFLECTOR HORIZONTAL DE AIRE (VENTANILLAS VERTICAKLES)
3. SALIDA DE AIRE
4. REJILLA FRONTAL
5. RECOLECTOR DE AIRE



6. FILTRO DE AIRE
7. PANEL DE CONTROL
8. TOMA DE AIRE
9. GUÍA SUPERIOR

Requerimientos de la Ventana

Requerimientos de la ventana

NOTA: Todas las partes que soportan la ventana deben de estar bien fijas a madera, metal, o cemento.

1. La unidad está diseñada para ser instalada en una ventana doble con anchos entre 22" y 36". El borde superior e inferior deben de estar lo suficientemente abierto para permitir un espacio vertical de por lo menos 13" de la parte inferior de la ventana hasta la parte superior de la ventana.
2. Si la sobre-ventana estorba colóquese una tira de madera de 2 pulg de ancho a lo largo del descanso de la ventana por la parte que de internamente al cuarto, y en toda su extensión. La tira de madera debe ser lo suficientemente gruesa para elevar el descanso de la ventana, de tal manera que la unidad de aire acondicionado pueda ser instalada sin interferencia del marco de la sobre-ventana (storm window). Ver Fig. 5-2. La parte superior de la tira de madera debe estar aproximadamente a 3/4 de pulg más alta que el marco de la sobre ventana, (storm window) para ayudar a que el agua de condensación de la unidad fluya hacia afuera.
3. Instale una segunda tira de madera (aproximadamente 6 pulg. de largo, 1-1/2 pulg de ancho y mismo espesor que la primeratira de madera) en el centro del descanso exterior, póngala contra la parte posterior del descanso interior. Esto elevará la ménsula L como en la Fig. 5-2.
4. Si la distancia entre "FRANJA DE MADERA MONTADA SOBRE LA PARTE SUPERIOR DEL DESCANSO INTERIOR" y "TIRA DE MADERA PARA LA MENSULA L Y MENSULA DE ANTEPECHO" es mas que 1", dos tiras de modetra no son necesarias.

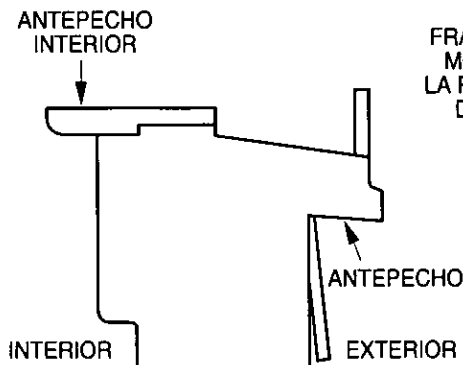


Fig. 5-1

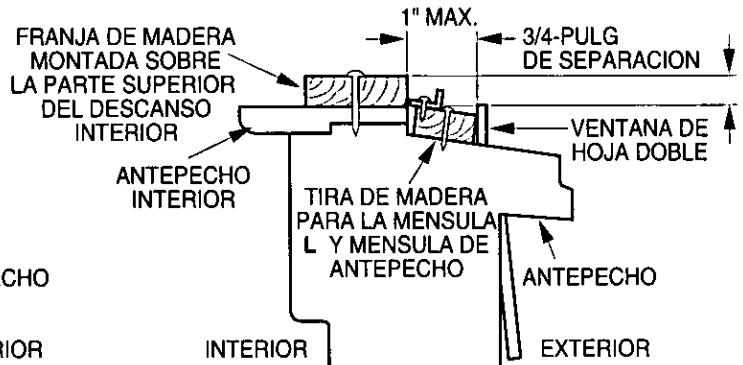


Fig. 5-2

Instalacion

MATERIALES			
TIPO A: 11 (TORNILLO CORTO)	TIPO B: 4 (TORNILLO MEDIANO)	TIPO C: 3 (SUPPORT EN L)	TUBO DE PURGA
TIPO D: 1 (BANDA ADHESIVA)	TIPO E: 1 (BANDA DEL MARCO)	TIPO F: 2 (PANEL GUÍA)	
(Adhesivo posterior)	(No adhesivo posterior)		

A. ANTES DE INSTALAR

1. Introduzca los paneles en los guías del aire acondicionado. Las cortinas atorníllelas con los tornillos (TIPO A), como en la Fig. 6.
2. Corte la banda adhesiva (TIPO D) y colóquela del ancho de la ventana.
Remueva el plástico de la banda adhesiva y colóquela en la parte superior de el marco inferior de la ventana. (Ver Fig. 7)

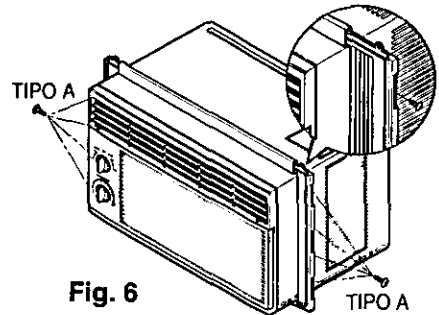


Fig. 6

B. EMPIEZE LA INSTALACION

1. COLOCANDO LA UNIDAD EN LA VENTANA

Abra la ventana y marque LINEA en el centro esta.

2. COLOQUE EL MÉNSULA EN L

- a. Instale los soportes L detrás de alféizar interno de la ventana, con el lado corto del soporte como está ilustrado. Utilice 2 tornillos (TIPO A) proveidos.
- b. La ménsula ayuda a que la unidad se encuentre firme. Asegúrese de poner la ménsula en L contra la parte posterior del descanso interior.

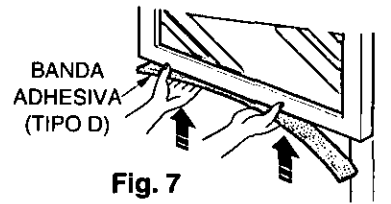


Fig. 7

PELIGRO

En las siguientes instrucciones, sostenga la unidad firmemente hasta que la parte corrediza de la ventana descansa sobre la parte superior del canal y por detrás del marco de los paneles corredizos. Puede haber lesiones o daños si la unidad se cae de la ventana.

3. INSTALE EL AIRE ACONDICIONADO A LA VENTANA

- a. Cuidadosamente levante el aire acondicionado y colóquelo en el hoyo de la ventana. Asegúrese de que la guía inferior del aire acondicionado caiga en lugar correcto del ménsula en L. Ver Fig. 9.

IMPORTANTE :

Cuando el aire acondicionado sea fijado en el support en L, el aire acondicionado será centrado como pueden observar en la Fig. 10.

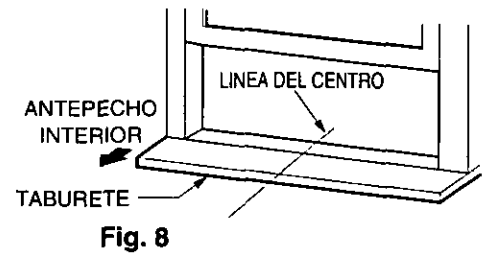


Fig. 8

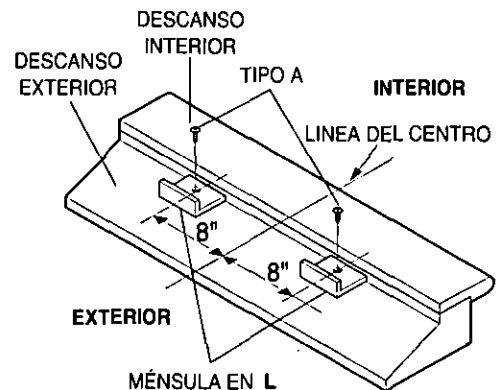


Fig. 9

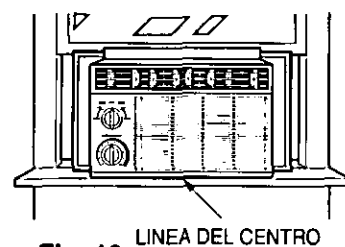


Fig. 10

Requerimientos de la Ventana

b. Mientras mantiene el aire acondicionado en posición, cuidadosamente baje el borde de la ventana superior hasta la guía superior del aire acondicionado, como en la Fig. 11.

4. ASEGURE LOS PANELES

Extienda los paneles para rellenar los orificios de la ventana usando los 4 tornillos (TIPO B) como en la Fig. 12.

5. INSTALE LA BANDA DEL MARCO

a. Corte la banda del marco del mismo ancho de la ventana. Coloque la banda del marco entre el vidrio y la ventana para prevenir la penetración al cuarto de insectos y aire, como en la Fig. 12.

b. Atornille la cerradura del marco usando un tornillo TIPO A, como en la Fig. 12.

6. La instalación del aire acondicionado de ventana no estará completa. Vea SEGURIDAD ELECTRICA para conectar la extensión eléctrica al toma corriente.

C: COMO INSTALAR EL TUBO DE DESAGÜE

En climas húmedos, es posible que la BANDEJA EVAPORADORA se llene de agua. Para quitar el agua acumulado, es preciso conectar el tubo de desagüe. Quite la TAPA DEL DESAGÜE y conecte el TUBO a la BANDEJA EVAPORADORA. (Fig. 13)

REMOVERLO DE LA VENTANA

Apague el aire acondicionado, desconecte el cordón eléctrico del toma corriente, remueva la cerradura del marco y los tornillos instalados en la parte superior e inferior de los paneles, y guárdelos para reinstalación. Cierre los paneles. Manteniendo el aire acondicionado fuertemente, levante el marco de la ventana, y cuidadosamente, incline el aire acondicionado hacia atrás, botando cualquier agua condensada. Deslice el aire acondicionado 1" a la derecha, luego levántelo de la ventana y remuévale la banda del marco de la ventana.

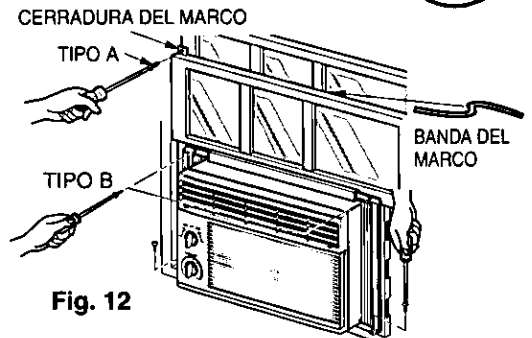
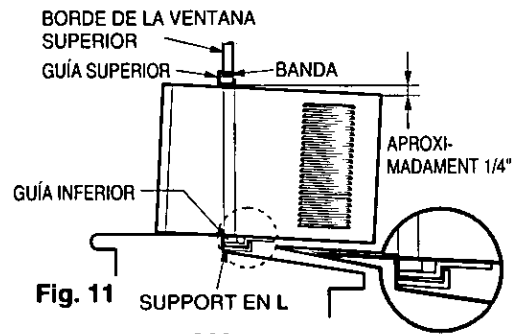


Fig. 12

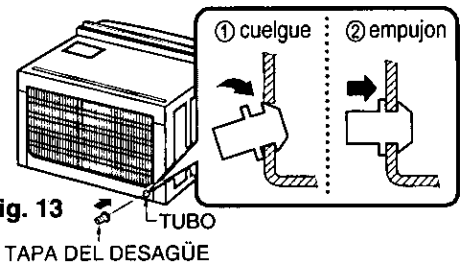


Fig. 13

Informacion Electrica

Corcón Eléctrico	Utilice el enchufe de la pared	Consumo de Energía
<p>Cordón eléctrico con puntas para enchufar</p>	<p>Standard 125V, enchufe de 3 Líneas de 15A, 125V AC</p>	<p>Utilice un fusible de 15AMP o un Interruptor</p>

USO DE CORDONES DE EXTENSION

Debido al potencial de peligro a su seguridad bajo ciertas circunstancias recomendamos encarecidamente no utilizar cordones de extensión. Sin embargo, si usted decide usar un cordón de extensión, es absolutamente necesario que este sea un cordón listado bajo UL de tres espigas con conexión a tierra calificado 15A, 125V.

Requerimientos de la Ventana

Antes de avisar al Servicio Técnico

Tips para solucionar problemas

(Ahorre tiempo y dinero) Cuando tenga algún problema primero consulte el cuadro que se encuentra abajo y tal vez no necesite llamar para solicitar servicio técnico.

Operación normal

- Durar te días lluviosos o cuando la humedad es alta usted puede escuchar un ruido metálico causado por agua recogida y arrojada contra el condensador. Esta característica ayuda a remover la humedad y mejorar la eficiencia.
- Usted puede escuchar que el termostato hace un click cuando se enciende o apaga el ciclo del compesor.
- Durar te días lluviosos o cuando la humedad es alta el agua será recolectada on la base del aparato. Esta agua podrá fluir y será eliminada por el lado externo de la unidad.
- El ventilador podrá correr aún cuando el compresor no esté encendido.

Operación anormal

<i>Problema</i>	<i>Causas posibles</i>	<i>Que hacer</i>
<i>El aire acondicionado no enciende</i>	<ul style="list-style-type: none"> ■ <i>El aire acondicionado está desconectado.</i> ■ <i>El fusible está quemado/el interruptor de energía se ha bloqueado.</i> ■ <i>Falta de energía.</i> 	<ul style="list-style-type: none"> • Asegúrese que el aire acondicionado está conectado completamente a la fuente de energía. • Cheque los fusibles/interruptor de la casa y reemplace los fusibles o reestablezca el interruptor de energía. • Si hay una falta en el suministro de energía apague su aparato(Off). Cuando la energía se reestablezca, espere 3 minutos para encender de nuevo el aire acondicionado. Con esto evitará que se produzca una sobrecarga en el compresor.
<i>El aire acondicionado no enfría como debiera</i>	<ul style="list-style-type: none"> ■ <i>El flujo de aire esta restringido.</i> ■ <i>Se ha elegido una temperatura mas caliente de lo deseada.</i> ■ <i>El filtro de aire está sucio.</i> ■ <i>El cuarto aún está caliente.</i> ■ <i>El aire frio se está escapando.</i> ■ <i>El serpentín de refrigeración se ha congelado.</i> 	<ul style="list-style-type: none"> • Asegúrese que no haya cortinas, persianas o muebles bloqueando el frente del aire acondicionado. • Elija una temperatura mas fria. Entre más baja sea la temperatura elegida mas fria sera la zona acondicionada. • Limpie el filtro por lo menos cada dos semanas. Vea la sección de instrucciones de operación. • Cuando usted enciende el aire acondicionado debe esperar un momento para que la habitación se enfrie. • Asegúrese que todas las salidas de aire estén cerradas para que el aire regrese. • Establezca una temperatura más alta.
<i>El aire acondicionado enfría demasiado</i>	<ul style="list-style-type: none"> ■ <i>El hielo bloquea el flujo de aire y detiene el enfriamiento del cuarto.</i> 	<ul style="list-style-type: none"> • Elija el modo alto del ventilador (High Fan) o enfriado alto (High Cool) con el termostato en el número 1 o 2.

**PRODUCT SPECIFICATION
SPÉCIFICATIONS DE L'APPAREIL
ESPECIFICACIONES DEL PRODUCTO**

Model Modèle Modelo			CW-C50GU
COOLING CAPACITY CAPACITÉ DE REFROIDISSEMENT CAPACIDAD DE ENFRIAMIENTO	Btu/h		5,200
ELECTRICAL RATING CARACTÉRISTIQUES ÉLECTRIQUES CLASIFICACION DE LA ELECTRICIDAD	Phase Phase Fase		Single Simple Monofasico
	Frequency Fréquence Frecuencia	(Hz)	60
	Voltage Tension Voltaja	(V)	115
	Current Courant Corriente	(Amps) (A) (Amps)	4.8
	Input Consommation Potencia	(W)	535
EER RENDEMENT ÉNERGÉTIQUE EER			9.7
MOISTURE REMOVAL SUPPRESSION D'HUMIDITÉ DESHUMIDIFICACION	(Pints/h) (pinte/h) (Tinta/h)		1.4
ROOM CIRCULATION CIRCULATION D'AIR CIRCULACION DE AIRE	(Cf/min) (pi/min) (pie/min)		4.0
DIMENSIONS DIMENSIONS DIMENSIONES	Height Hauteur Alto	cm(inches) cm(pouces) cm(pulgadas)	31.2(12 9/32")
	Width Largeur Ancho	cm(inches) cm(pouces) cm(pulgadas)	47.2(18 9/16")
	Depth Profondeur Profundidad	cm(inches) cm(pouces) cm(pulgadas)	370(14 9/16")
NET WEIGHT POIDS NET PESO NETO	kg(lb) kg(livres) kb(libras)		20.7(46)
GROSS WEIGHT POIDS BRUT PESO BRUTO	kg(lb) kg(livres) kb(libras)		22.5(50)

* Specification are subject to change without notice for improvement.

* Les spécifications ci-dessus peuvent être changées sans préavis.

* Las especificaciones están sujetas a cambios por mejoras sin previo aviso.

PANASONIC CANADA INC.

5770 Ambler Drive, Mississauga, Ontario L4W 2T3

CERTIFICAT DE GARANTIE LIMITÉE PANASONIC

Panasonic Canada mc. garantit cet appareil contre tout vice de fabrication et accepte, le cas échéant, de remédier à toute défectuosité pendant la période indiquée ci-dessous et commençant à partir de la date d'achat original.

Climatiseur de fenêtre - Réparation à domicile

- 1) Unité scellée de réfrigération (compresseur et tube de raccordement) : Cinq (5) ans, pièces et main-d'oeuvre
2) Tous les autres composants : Un (1) an, pièces et main-d'oeuvre

LIMITATIONS ET EXCLUSIONS

Cette garantie n'est valide que pour les appareils achetés au Canada et ne couvre pas les dommages résultant d'une installation incorrecte, d'un usage abusif ou impropre ainsi que ceux découlant d'un accident en transit ou de manipulation. De plus, si l'appareil a été altéré ou transformé de façon à modifier l'usage pour lequel il a été conçu ou utilisé à des fins commerciales, cette garantie devient nulle et sans effet. Les piles sèches ne sont pas couvertes sous cette garantie.

Cette garantie est octroyée à l'utilisateur original seulement. La facture ou autre preuve de la date d'achat original sera exigée pour toute réparation sous le couvert de cette garantie.

CETTE GARANTIE LIMITÉE ET EXPRESSE REMPLACE TOUTE AUTRE GARANTIE, EXPRESSE OU IMPLICITE, EXCLUANT LES GARANTIES IMPLICITES DU CARACTÈRE ADÉQUAT POUR LA COMMERCIALISATION OU UN USAGE PARTICULIER.

PANASONIC N'AURA D'OBLIGATION EN AUCUNE CIRCONSTANCE POUR TOUT DOMMAGE DIRECT, INDIRECT OU CONSÉCUTIF.

Certaines juridictions ne reconnaissent pas les exclusions ou limitations de dommages indirects ou consécutifs, ou les exclusions de garanties implicites. Dans de tels cas, les limitations stipulées ci-dessus peuvent ne pas être applicables.

RÉPARATION SOUS GARANTIE

Pour de l'aide sur le fonctionnement de l'appareil ou pour toute demande d'information : Veuillez contacter votre détaillant ou notre service à la clientèle au

N° de téléphone : (905) 624-5505

N° de télécopieur : (905) 238-2360

Site internet : www.panasonic.ca

Pour la réparation des appareils : Veuillez consulter

- votre détaillant, lequel pourra vous renseigner sur le centre de service agréé le plus près de votre domicile;
- notre service à la clientèle au (905) 624-5505 ou www.panasonic.ca
- un de nos centres de service de la liste ci-dessous :

Richmond, Colombie-Britannique

Panasonic Canada Inc.
13131 Bathgate Place
Richmond, BC V6V 1Z3
Tél. : (604) 278-4211
Télec. : (604) 278-5627

Calgary, Alberta

Panasonic Canada Inc.
6835-8th St. N.E.
Calgary, AB T2E 7H7
Tél. : (403) 295-3955
Télec. : (403) 274-5493

Mississauga, Ontario

Panasonic Canada Inc.
5770 Ambler Dr.
Mississauga, ON L4W 2T3
Tél. : (905) 624-8447
Télec. : (905) 238-2418

Lachine, Québec

Panasonic Canada Inc.
3075 rue Louis A. Amos
Lachine, QC H8T 1C4
Tél. : (514) 633-8684
Télec. : (514) 633-8020

Pour vos dossiers - Nom de l'utilisateur :

N° de modèle: _____ N° de série: _____

Date d'achat : _____

Nom du détaillant: _____

Adresse: _____ N° de téléphone: _____

Expédition de l'appareil à un centre de service

Emballer soigneusement l'appareil, de préférence dans le carton d'origine, et l'expédier port payé et assuré au centre de service. Inclure la description détaillée de la panne et la preuve de la date d'achat original.

Imprimé en Corée

PANASONIC CANADA INC.
5770 Ambler Drive, Mississauga, Ontario L4W 2T3
PANASONIC PRODUCT - LIMITED WARRANTY

Panasonic Canada Inc. warrants this product to be free from defects in material and workmanship and agrees to remedy any such defect for a period as stated below from the date of original purchase.

Room Air Conditioner - In-home service

1) Sealed Refrigeration Unit (compressor & interconnecting tube) : Five (5) years, parts and labour

2) All Other Components : One (1) year, parts and labour

LIMITATIONS AND EXCLUSIONS

This warranty does not apply to products purchased outside the boundaries of Canada or to any product which has been improperly installed, subjected to usage for which the product was not designed, misuse or abuse, shipping damage, or which has been altered or repaired in any way that affects the reliability or detracts from the performance, nor does it cover any product which is used commercially. Dry cell batteries are also excluded from coverage under this warranty.

This warranty is extended to the original end user purchaser only. A purchase receipt or other proof of date of original purchase is required before warranty service is performed.

THIS EXPRESS, LIMITED WARRANTY IS IN LIEU OF ALL OTHER WARRANTIES, EXPRESS OR IMPLIED, EXCLUDING ANY IMPLIED WARRANTIES OF MERCHANTABILITY OR FITNESS FOR A PARTICULAR PURPOSE.

IN NO EVENT WILL PANASONIC CANADA INC. BE LIABLE FOR ANY SPECIAL, INDIRECT OR CONSEQUENTIAL DAMAGES.

In certain instances, some jurisdictions do not allow the exclusion or limitation of incidental or consequential damages, or the exclusion of implied warranties, so the above limitations and exclusions may not be applicable.

WARRANTY SERVICE

For product operation and information assistance: Please contact your Dealer or our Customer Care Centre at:

Telephone # : (905) 624-5505

Fax# : (905)238-2360

Web : www.panasonic.ca

For product repairs: Please contact one of the following:

- Your Dealer who will inform you of an authorized Servicentre nearest you
- Our Customer Care Centre at (905) 624-5505 or www.panasonic.ca
- A Panasonic Factory Servicentre listed below:

Richmond, British Columbia

Panasonic Canada Inc.
13131 Bathgate Place
Richmond, BC V6V 1Z3
Tel : (604) 278-4211
Fax : (604) 278-5627

Calgary Alberta

Panasonic Canada Inc.
6835~8th St. N.E.
Calgary, AB T2E 7H7
Tel : (403) 295-3955
Fax : (403) 274-5493

Mississauga Ontario

Panasonic Canada Inc.
5770 Ambler Dr.
Mississauga, ON L4W 2T3
Tel : (905) 624-8447
Fax : (905) 238-2418

Lachine Quebec

Panasonic Canada Inc. 3075
rue Louis A. Amos
Lachine, QC H8T 1C4
Tel : (514) 633-8684
Fax : (514) 633-8020

CUSTOMER'S RECORD: Customer Name:

Model Number: _____ Serial Number: _____

Date of Purchase: _____

Dealer's Name: _____

Address: _____ Phone Number: _____

IF YOU SHIP THE PRODUCT TO A SERVICENTRE

Carefully pack and send prepaid, adequately insured and preferably in the original carton.
Include details of the defect claimed, and proof of date of original purchase.

Printed in Korea

**Panasonic Consumer Electronics Company,
Division of Matsushita Electric Corporation
of America**
One Panasonic Way
Secaucus, New Jersey 07094

**Panasonic Sales Company,
Division of Matsushita Electric of Puerto Rico, Inc.,**
Ave. 65 de Infanteria, Km. 9.5
San Gabriel Industrial Park
Carolina, Puerto Rico 00985

Panasonic Room Air Conditioner Limited Warranty

Panasonic Consumer Electronics Company or Panasonic Sales Company (collectively referred to as "the Warrantor") will repair this product with new or refurbished parts in case of defects in material or workmanship, free of charge, in the USA or Puerto Rico in accordance to the following (All time periods start from the date of the original purchase).

SEALED REFRIGERATING SYSTEM (compressor and interconnecting tube): FIVE (5) YEARS - PARTS AND LABOR

ALL OTHER COMPONENTS: ONE (1) YEAR - PARTS AND LABOR

In-home service in the USA can be obtained during the warranty period by contacting a Panasonic Service Company (PASC) Factory Servicenter listed in the Servicenter Directory. Or call toll free, 1-800-211-PANA(7262), to locate a PASC authorized Servicenter. In-home service in Puerto Rico can be obtained during the warranty period by calling the Panasonic Sales Company telephone number listed in the Servicenter Directory.

Note: If the unit is installed at the other than normal window height and/or has been custom-installed (e.g., through the wall), the customer is responsible for removing the unit from its installation prior to the performance of in-home service.

This warranty is extended only to the original purchaser. A purchase receipt or other proof of date of the original purchase is required for service and parts replacement under this warranty.

This warranty only covers failures due to defects in materials and workmanship and does not cover normal wear or cosmetic damage. The warranty does not cover damages which occur in shipment, or failures which are caused by products not supplied by the warrantor, or failures which result from accident, misuse, abuse, neglect, mishandling, misapplication, faulty installation, maladjustment of customer controls, improper maintenance, alteration, modification, power line surge, lightning damage, improper voltage supply, commercial use such as hotel, office, restaurant, or other business or rental use of the product, or service by anyone other than a PASC Factory Servicenter or a PASC authorized Servicenter, or damage that is attributable to acts of God.

LIMITS AND EXCLUSIONS

There are no express warranties except as listed above.

THE WARRANTOR SHALL NOT BE LIABLE FOR INCIDENTAL OR CONSEQUENTIAL DAMAGES RESULTING FROM THE USE OF THIS PRODUCT, OR ARISING OUT OF ANY BREACH OF THIS WARRANTY ALL EXPRESS AND IMPLIED WARRANTIES, INCLUDING THE WARRANTIES OF MERCHANTABILITY, ARE LIMITED TO THE APPLICABLE WARRANTY PERIOD SET FORTH ABOVE.

Some states do not allow the exclusion or limitation of incidental or consequential damages or limitations on how long an implied warranty lasts, so the above exclusions or limitations may not apply to you.

This warranty gives you specific legal rights and you may also have other rights which vary from state to state. If a problem with this product develops during or after the warranty period, you may contact your dealer or Servicenter. If the problem is not handled to your satisfaction, then write to the Consumer Affairs Department at the company address indicated above.

SERVICE CALLS WHICH DO NOT INVOLVE DEFECTIVE MATERIALS OR WORKMANSHIP AS DETERMINED BY THE WARRANTOR. IN ITS SOLE DISCRETION, ARE NOT COVERED. COSTS OF SUCH SERVICE CALLS ARE THE RESPONSIBILITY OF THE PURCHASER.

[For assistance, please call: 1-800-211-PANA (7262) or send e-mail to consumerproducts@panasonic.com]

Printed in Korea

F0008-4 P/No.: 3828A20051L

F50467

Free Manuals Download Website

<http://myh66.com>

<http://usermanuals.us>

<http://www.somanuals.com>

<http://www.4manuals.cc>

<http://www.manual-lib.com>

<http://www.404manual.com>

<http://www.luxmanual.com>

<http://aubethermostatmanual.com>

Golf course search by state

<http://golfingnear.com>

Email search by domain

<http://emailbydomain.com>

Auto manuals search

<http://auto.somanuals.com>

TV manuals search

<http://tv.somanuals.com>