

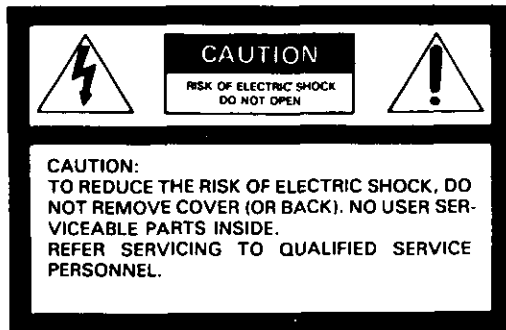
Rear View Camera
GP-RV201

Operating Instructions



Panasonic®

Before attempting to connect or operate this product,
please read these instructions completely.



SA 1965

The lightning flash with arrowhead symbol, within an equilateral triangle, is intended to alert the user to the presence of uninsulated "dangerous voltage" within the product's enclosure that may be of sufficient magnitude to constitute a risk of electric shock to persons.



SA 1966

The exclamation point within an equilateral triangle is intended to alert the user to the presence of important operating and maintenance (servicing) instructions in the literature accompanying the appliance.

The serial number of this product may be found on the bottom of the unit.

You should note the serial number of this unit in the space provided and retain this book as a permanent record of your purchase to aid identification in the event of theft.

Model No. _____

Serial No. _____

CONTENTS

PREFACE	2
FEATURES	2
PRECAUTION	3
MAJOR OPERATING CONTROLS AND THEIR FUNCTIONS	4
INSTALLATION	6
VIEW RANGE	10
SYSTEM CONNECTION	11
TECHNICAL DATA	12
SPECIFICATIONS	13
STANDARD ACCESSORY	14
OPTIONAL ACCESSORIES	14

PREFACE

Panasonic's Rear View Camera, GP-RV201, significantly reduces dangerous blind spots. This rear view camera has been developed exclusively for large trucks, buses and other commercial vehicles.

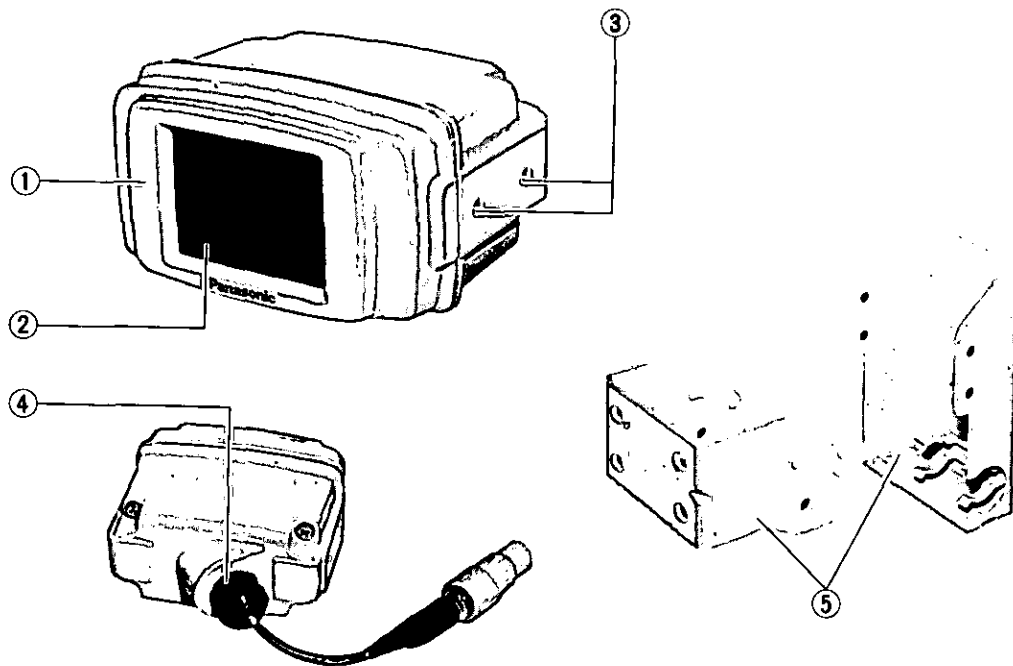
FEATURES

1. 1/3" Interline Transfer CCD Image Sensor with 512 (H) × 492 (V) pixels.
2. 380 lines of horizontal resolution.
3. 0.05 footcandles (0.5 lux) of minimum illumination at F1.4.
4. 46dB of signal to noise ratio.
5. Wide field of view by newly developed wide angle lens $f=2.2\text{mm}$, F1.4.
6. High resistance to shocks and vibration.
7. Single coaxial cable connection enables easy installation.

PRECAUTION

1. Do not attempt to disassemble the camera.
To prevent electric shock, do not remove screws or cover.
There are no user-serviceable parts inside.
Refer servicing to qualified service personnel.
2. Handle the camera with care.
Do not abuse the camera. Avoid striking or shaking it.
The camera could be damaged by improper handling or storage.
3. Keep the face of the camera lens glass clean.
Whenever cleaning the camera body, clean the lens glass of the camera by using a soft dry cloth. In case the dirt is hard to wipe off, use a mild detergent and wipe gently.
4. Pay attention to obstacles located at the same height as the rear view camera since they are out of view of the rear view camera.
5. Do not operate the camera beyond its temperature range.
Do not use the camera in an extreme environment where high temperature or high humidity exist. Use the camera under conditions where temperatures are within $-22^{\circ}\text{F} - 140^{\circ}\text{F}$ ($-30^{\circ}\text{C} - +60^{\circ}\text{C}$).

MAJOR OPERATING CONTROLS AND THEIR FUNCTIONS



1 Camera Unit

The 1/3" CCD B/W camera is inside

Caution

Even though the camera unit is installed in the water-proof housing, do not spray a water jet directly at the camera unit for cleaning purposes

2 Lens

The auto iris wide angle lens is installed

The focal length is 22mm

Note

Keep the lens glass always clean

3 Camera Angle Adjusting Screws

These 4 screws are used to secure the camera unit

By changing the fixing position of these screws, the vertical field of view angle of the camera can be changed approx 70°

4 Camera Cable Connector

This connector is a drip-proof type connector and is used to connect the optional camera cable GP-CA40 (33ft/10m) or GP-CA41 (66ft/20m)

Caution

Whenever disconnecting the camera cable from this connector for maintenance, turn the vehicle's ignition switch to the LOCK position to turn off the power

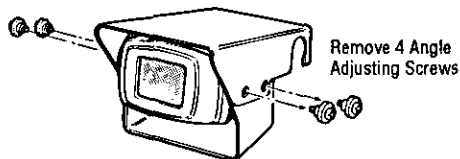
5 Bracket

This bracket is used to secure the camera onto the vehicle

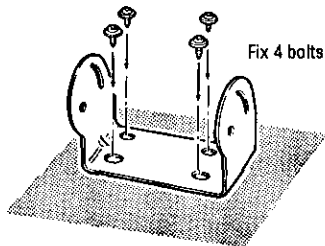
INSTALLATION

■ Mounting the camera onto the top of the roof of the vehicle.

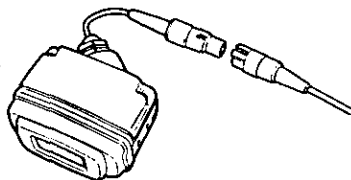
1. Remove 4 Camera Angle Adjusting Screws and remove the Camera Unit from the Bracket.



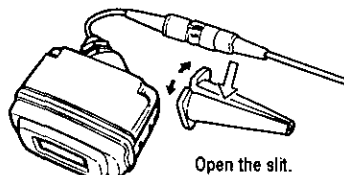
2. Secure the Bracket into the top of the roof by using 4 bolts (obtained locally (6 mm/diameter bolt)).



3. Connect the Optional Camera Cable to the Camera Cable Connector (4).



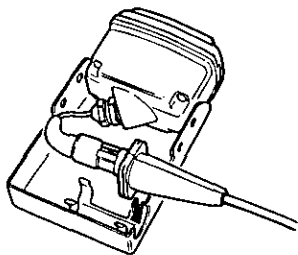
4. Open the slit on the Connector Cover, and cover the optional Camera Cable and Camera Cable Connector.



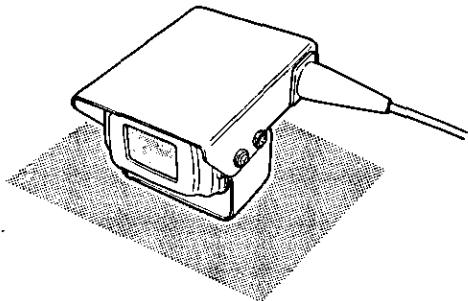
Note:

Set the Connector Cover so that the slit is in the up position.

5. Install the Connector Cover into the chassis of the Bracket.

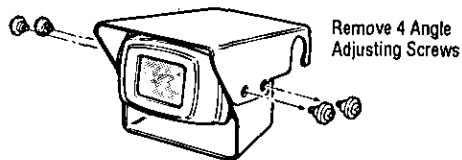


6. Adjust the camera to the desired angle and fix the Camera Unit into the Bracket using 4 Camera Angle Adjusting Screws.

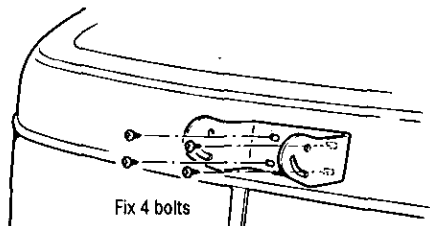


- **Mounting the camera onto the top of the rear panel of the vehicle.**

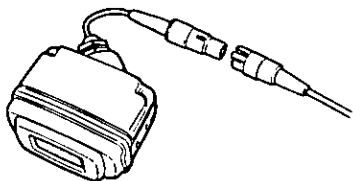
1. Remove 4 Camera Angle Adjusting Screws and remove the Camera Unit from the Bracket.



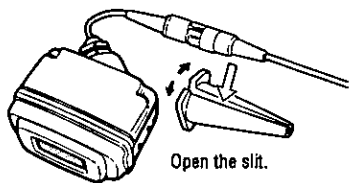
2. Secure the Bracket on the top of the rear panel of the vehicle by using 4 bolts (obtained locally (6 mm/diameter bolt)).



3. Connect the Optional Camera Cable to the Camera Cable Connector (4).



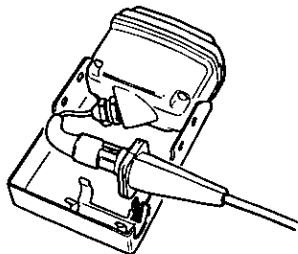
4. Open the slit on the Connector Cover, and cover the optional Camera Cable and Camera Cable Connector.



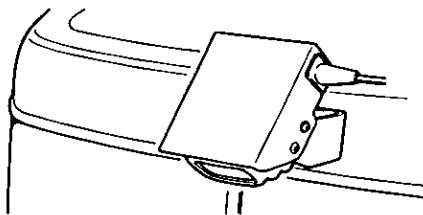
Note:

Set the Connector Cover so that the slit is in the up position.

5. Install the Connector Cover into the chassis of the Bracket.

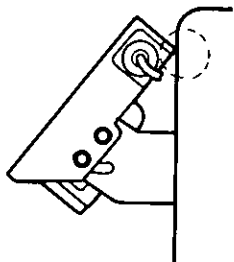


6. Fix the Camera Unit into the Bracket using 4 Camera Angle Adjusting Screws.



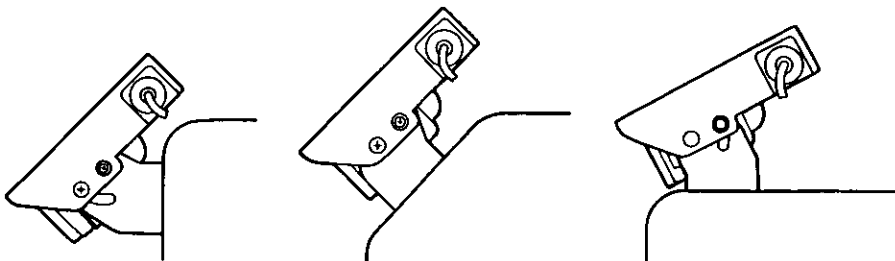
Note

When using this camera with the following angle, adjust the camera angle not to touch to the vehicle

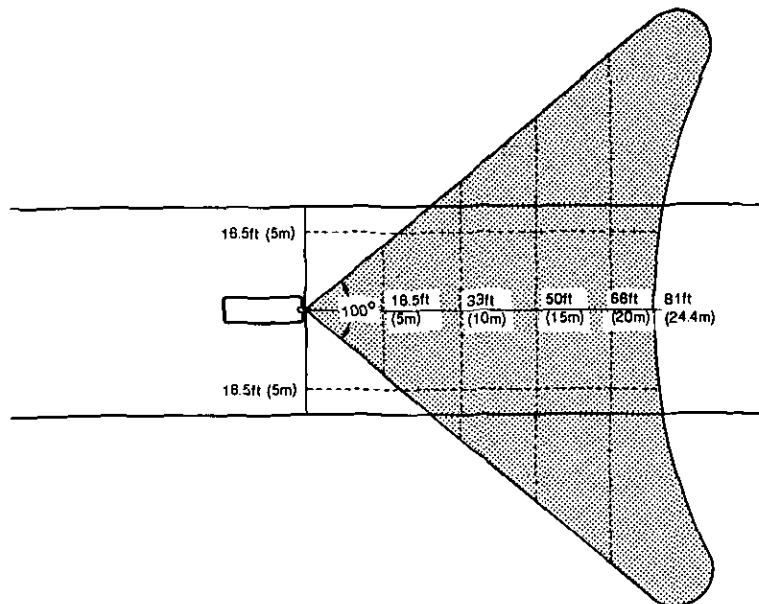
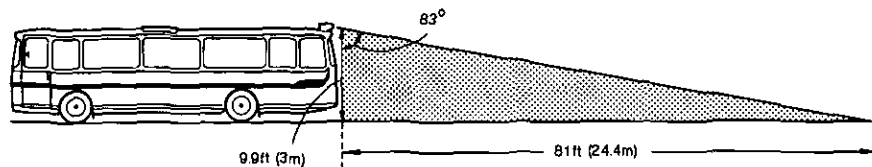


■ Angle Adjustment

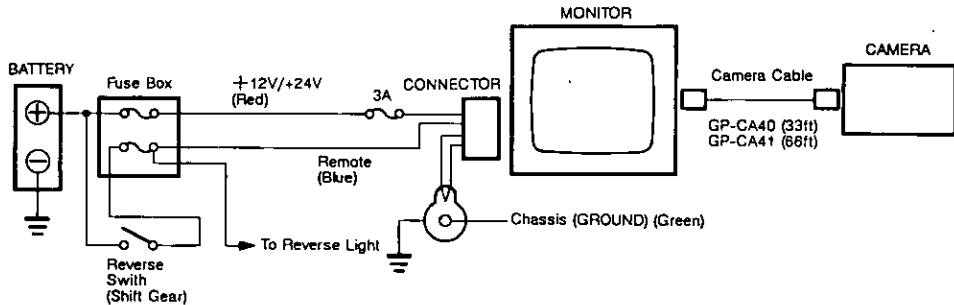
Change the direction of camera as follows



VIEW RANGE

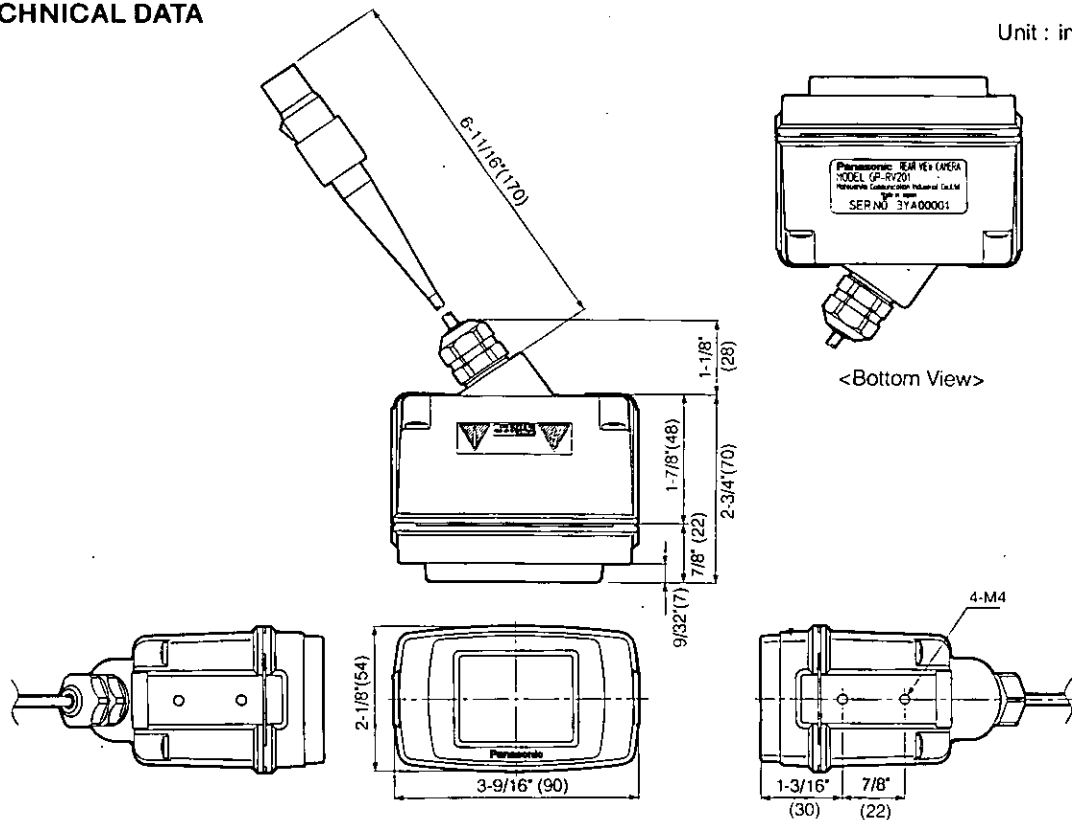


SYSTEM CONNECTION



TECHNICAL DATA

Unit : inch (mm)



SPECIFICATIONS

Power Source :	Supplied from specified monitor GP-RV202/GP-RV112, Approx. DC12V, 200mA
Pick-up Device :	1/3" Interline Transfer CCD with 512 (H) × 492 (V) pixels
Scanning System :	2:1 Interlace
Scanning :	525 lines/60 fields/30 frames Horizontal: 15.734KHz, Vertical: 59.94Hz
Synchronization :	Internal
Horizontal Resolution :	380 lines
Video Output :	1.0Vp-p, 75ohms
Signal to Noise Ratio :	46dB
Minimum Illumination :	0.05 footcandle (0.5 lux) at F1.4, AGC ON
Lens :	F1.4, f=2.2mm, Auto Iris Control Lens
Angular Field of View :	100° (H) × 83° (V)
Vibration Resistance :	4.4G (10Hz - 100Hz)
Ambient Operating Temperature :	-22°F - 140°F (-30°C - +60°C)
Dimensions :	3-9/16" (W) × 2-1/8" (H) × 2-3/4" (D)
(Excluding Cover and Bracket)	90 (W) × 54 (H) × 70 (D) mm
Weight (Excluding Cover and Bracket) :	0.93 lbs. (0.42Kg)

Weight and Dimensions indicated are approximate.
Specifications are subject to change without notice.

STANDARD ACCESSORY

Connector Cover

1pc

OPTIONAL ACCESSORIES

Monitor GP-RV202

Camera Cable GP-CA40 (33ft/10m)

Driver's Monitor GP-RV112

Camera Cable GP-CA41 (66ft/20m)

Panasonic

Broadcast & Television Systems Company

Division of Matsushita Electric Corporation of America

INDUSTRIAL CAMERA DIVISION

Executive Office One Panasonic Way 4H 2 Secaucus New Jersey 07094 (201) 392 6674

MATSUSHITA ELECTRIC OF CANADA LIMITED

5770 Ambler Drive Mississauga Ontario Canada L4W 2T3 (416) 624-5010

PANASONIC SALES COMPANY

DIVISION OF MATSUSHITA ELECTRIC OF PUERTO RICO, INC

San Gabriel Industrial Park 65th Infantry Ave KM 9 5 Carolina Puerto Rico 00630 (809) 750-4300

N0593-0

YWV8QA3057AN

Printed in Japan

Ⓝ 13

Free Manuals Download Website

<http://myh66.com>

<http://usermanuals.us>

<http://www.somanuals.com>

<http://www.4manuals.cc>

<http://www.manual-lib.com>

<http://www.404manual.com>

<http://www.luxmanual.com>

<http://aubethermostatmanual.com>

Golf course search by state

<http://golfingnear.com>

Email search by domain

<http://emailbydomain.com>

Auto manuals search

<http://auto.somanuals.com>

TV manuals search

<http://tv.somanuals.com>