



### General Specifications

#### Allowable Ambient Temperature Range:

- 10°C ~ +60°C (Operating)
- 40°C ~ +60°C (Storage)
- (non-condensing environment)

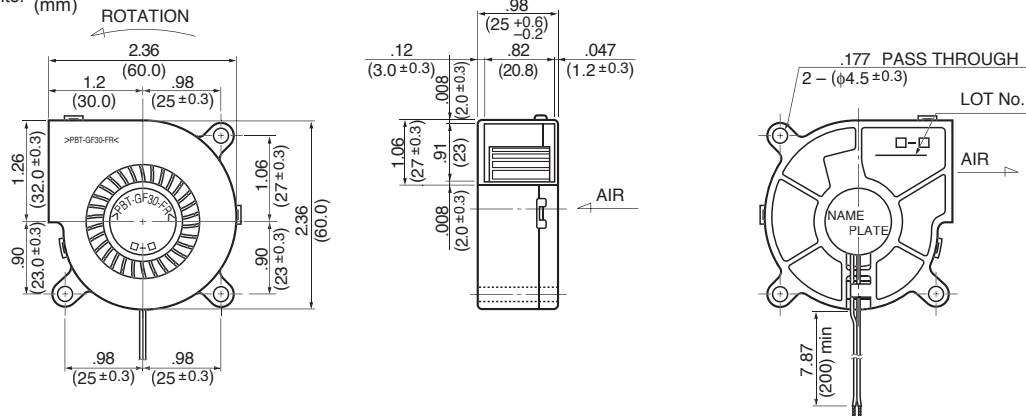
### Expected Life

#### Failure Rate: 10%

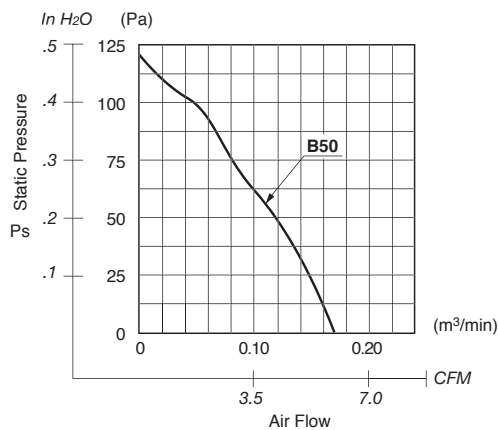
- 25°C 40,000 Hours (T00)

### Outline

Units:  $\frac{\text{inch}}{\text{mm}}$



### Characteristic Curves



### Material

- Casing : Plastic (Black) 94V-0
- Impeller : Plastic (Black) 94V-0
- Bearing : Ball Bearing
- Lead Wire : UL1061, AWG26, +Red, -Black

### Specifications

MODEL	Product No.	Rated Voltage	Operating Voltage	Current	Input Power	Speed	Max. Air Flow		Max. Static Pressure		Noise	Mass
		(V)	(V)	(A) <sup>*1</sup>	(W) <sup>*1</sup>	( $\text{min}^{-1}$ ) <sup>*1</sup>	CFM <sup>*1</sup>	( $\text{m}^3/\text{min}$ ) <sup>*1</sup>	in $\text{H}_2\text{O}$	(Pa) <sup>*1</sup>	(dB) <sup>*1</sup>	(g)
BM6025-04W-B50-	T00	12	10.0 ~ 13.0	0.32	3.84	3500	6.0	0.17	0.48	121.9	31	35

Rotation: Counterclockwise

\*1: Average Values in Free Air

## Free Manuals Download Website

<http://myh66.com>

<http://usermanuals.us>

<http://www.somanuals.com>

<http://www.4manuals.cc>

<http://www.manual-lib.com>

<http://www.404manual.com>

<http://www.luxmanual.com>

<http://aubethermostatmanual.com>

Golf course search by state

<http://golfingnear.com>

Email search by domain

<http://emailbydomain.com>

Auto manuals search

<http://auto.somanuals.com>

TV manuals search

<http://tv.somanuals.com>