

# Panasonic®

Removable Full Front MP3 WMA CD Player/Receiver with CD Changer Control

## CQ-C5410/C5310U

Removable Full Front CD Player/Receiver with CD Changer Control

## CQ-C5210/C5110U



(CQ-C5410U)

### Operating Instructions Manuel d'instructions Manual de instrucciones



**MP3 WMA**

- Please read these instructions carefully before using this product and save this manual for future use.
- Prière de lire ces instructions attentivement avant d'utiliser le produit et garder ce manuel pour l'utilisation ultérieure.
- Lea con atención estas instrucciones antes de utilizar el producto y guarde este manual para poderlo consultar en el futuro.

## Safety Information

### WARNING:

TO REDUCE THE RISK OF FIRE OR ELECTRIC SHOCK, DO NOT EXPOSE THIS PRODUCT TO RAIN OR MOISTURE.

TO REDUCE THE RISK OF FIRE OR ELECTRIC SHOCK, AND ANNOYING INTERFERENCE, USE ONLY THE INCLUDED COMPONENTS.

### CAUTION:

THIS PRODUCT IS A CLASS I LASER PRODUCT. USE OF CONTROLS OR ADJUSTMENTS OR PERFORMANCE OF PROCEDURES OTHER THAN THOSE SPECIFIED HEREIN MAY RESULT IN HAZARDOUS RADIATION EXPOSURE. DO NOT OPEN COVERS AND DO NOT REPAIR YOURSELF. REFER SERVICING TO QUALIFIED PERSONNEL.

The following applies only in the U.S.A.

### Part 15 of the FCC Rules

#### FCC Warning:

Any unauthorized changes or modifications to this equipment would void the user's authority to operate this device.

### NOTICE:

This product has a fluorescent lamp that contains a small amount of mercury. It also contains lead in some components. Disposal of these materials may be regulated in your community due to environmental considerations.

For disposal or recycling information please contact your local authorities, or the Electronics Industries Alliance: <<http://www.eiae.org>>

## Precautions

### When Driving

Keep the volume level low enough to be aware of road and traffic conditions.

### When Washing Your Car

Do not expose the product, including the speakers and CDs, to water or excessive moisture. This could cause electrical shorts, fire, or other damage.

### When Parked

Parking in direct sunlight can produce very high temperatures inside your car. Give the interior a chance to cool down before switching the unit on.

### Use the Proper Power Supply

This product is designed to operate with a 12 V DC, negative ground battery system (the normal system in a North American car).

### Disc Mechanism

Do not insert coins or any small objects. Keep screwdrivers and other metallic objects away from the disc mechanism and disc.

### Use Authorized Servicenters

This product is made of precision parts. Do not attempt to disassemble or adjust any parts. Please refer to the Servicenter list including with this product for service assistance.

### For Installation

This product should be installed in a horizontal position with the front end up at a convenient angle, but not more than 30°.

#### Note:

- The preset memory is cleared to return to the original factory setting when the power connector or battery is disconnected.

Panasonic welcomes you to our ever growing family of electronic product owners. We know that this product will bring you many hours of enjoyment. Our reputation is built on precise electronic and mechanical engineering, manufactured with carefully selected components and assembled by people who take pride in their work. Once you discover the quality, reliability, and value we have built into this product, you too will be proud to be a member of our family.

## CQ-C5410/C5310U

Removable Full Front MP3 WMA CD Player/Receiver with CD Changer Control


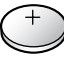


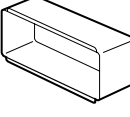
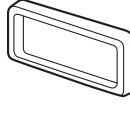
## CQ-C5210/C5110U








Removable Full Front CD Player/Receiver with CD Changer Control

#### Note:

- Please refer to page 9 for information on differences in each model.

## Accessories

Item	Diagram	Q'ty
Remote Control Unit (YEFX9992663)		1
Lithium Battery <CR2025>		1
Instruction Kit		
• Operating Instructions (YEFM284142)		1
• Warranty Card, etc.		1 set
Mounting Collar (YEFX0216165)		1
Trim Plate (YEFC05605)		1

Item	Diagram	Q'ty
Screw Kit (YEP0FZ3315)		
• Hex. Nut (5 mmφ)		1
• Tapping Screw (5 mmφ×16 mm)		1
• Mounting Bolt (5 mmφ)		1
• Lock Cancel Plate		2
Rear Support Strap (YEFG04024)		1
Removable Face Plate Case (YEFA131839)		1
Power Connector (YEAJ02871)		1

#### Note:

- The number in parenthesis underneath each accessory part name is the part number for maintenance and service.
- Accessories and their parts numbers are subject to modification without prior notice due to improvements.
- Mounting collar ① and trim plate ⑦ are mounted on the main unit at shipment (page 50).

Find the model number and serial number on either the back or bottom of the unit. Please record them in the space below and retain this booklet as a permanent record of your purchase to help with identification in case of theft.

MODEL NUMBER	CQ-C5410U / CQ-C5310U / CQ-C5210U / CQ-C5110U
SERIAL NUMBER	
DATE PURCHASED	
FROM	

# Features

## MP3/WMA Playback from CD-R/RW

**CQ-C5410U** **CQ-C5310U**

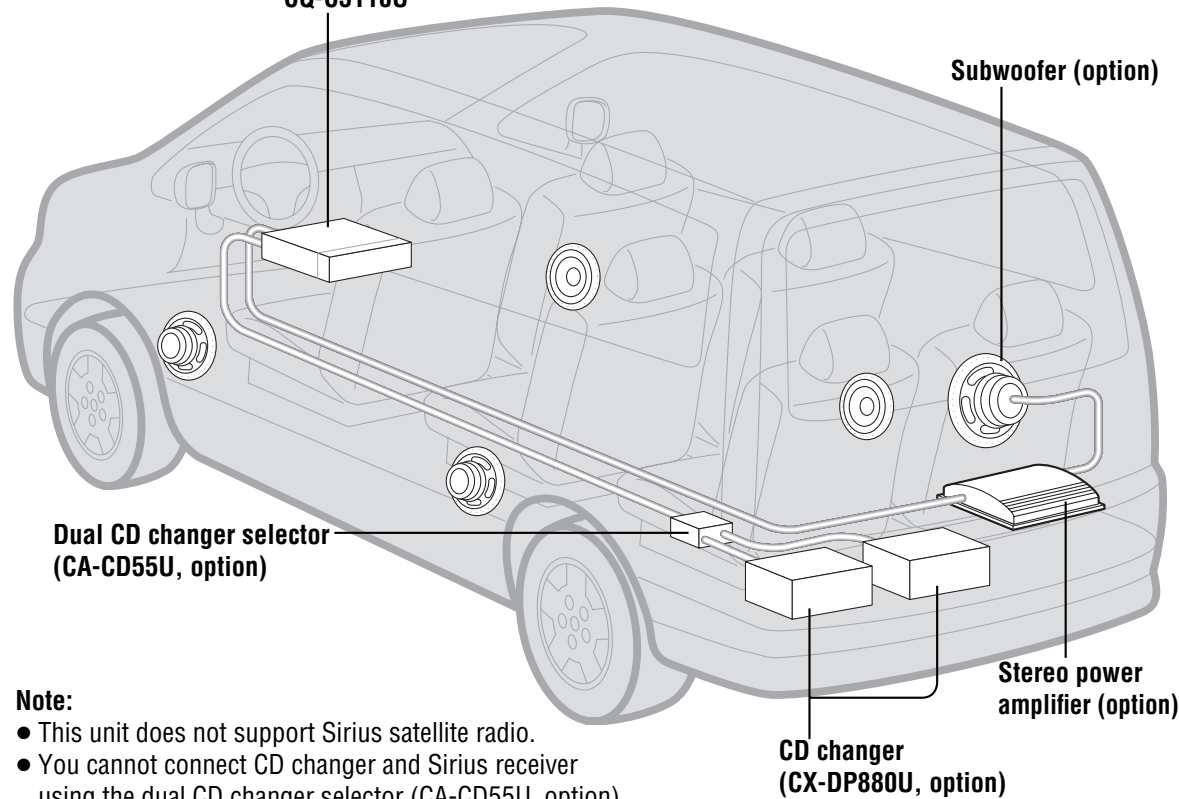
You can play your MP3/WMA (Windows Media Audio) files as well as regular CDs. With up to 10 to 12 times\* the capacity of a conventional CD, a single MP3/WMA-encoded disc can keep you entertained throughout your entire journey.  
\*Depending on bit rate.

## SQ7 (7 bands Sound Quality)

SQ is a function that can call up various sound types at the touch of button in accordance with your listening music type. At SQ7, SQ presets P2 to P6 can also be finely adjusted as desired (page 36).

## System Upgrade

**CQ-C5410U**  
**CQ-C5310U**  
**CQ-C5210U**  
**CQ-C5110U**



### Note:

- This unit does not support Sirius satellite radio.
- You cannot connect CD changer and Sirius receiver using the dual CD changer selector (CA-CD55U, option).

## HPF (High Pass Filter)/LPF(Low Pass Filter)

Genuine subwoofer system achieved thanks to HPF (High Pass Filter) and LPF (Low Pass Filter)

## Electronic Switch Front Panel

The front panel opens and closes automatically by pressing a button once.

## CD Changer Control

You can connect the optional CD changer unit. For details, refer to the operating instructions on the CD changer unit.

- 2 CD changers (option) can be controlled with this unit. To connect 2 CD changers to it, the dual CD changer selector CA-CD55U (option) is necessary.

## Large-sized Volume Control

A large-sized rotary volume control that looks like one belonging to a Hi-Fi audio system is featured.

# Before Reading these Instructions

- This operating instruction manual applies to the following models. The differences among these models are mentioned below.
- All illustrations represent model CQ-C5410U unless otherwise specified.

Features	Models			
	<b>CQ-C5410U</b>	<b>CQ-C5310U</b>	<b>CQ-C5210U</b>	<b>CQ-C5110U</b>
MP3/WMA playback	Yes	Yes	None	None
CD text display	Yes	Yes	None	None
AUX-IN	Yes	Yes	None	None
SBC-SW (Super Base Control Sub-Woofer)	Yes	None	Yes	None
Pre-amp output voltage	5 V	2.5 V	5 V	2.5 V



This can only be controlled through the **main unit**.



This can only be controlled through the **remote control unit**.

Operations with neither mark can be performed either by the main unit or the remote control unit.

**CQ-C5410U**

Indicates features applicable to CQ-C5410U only.

**CQ-C5310U**

CQ-C5310U only.

**CQ-C5210U**

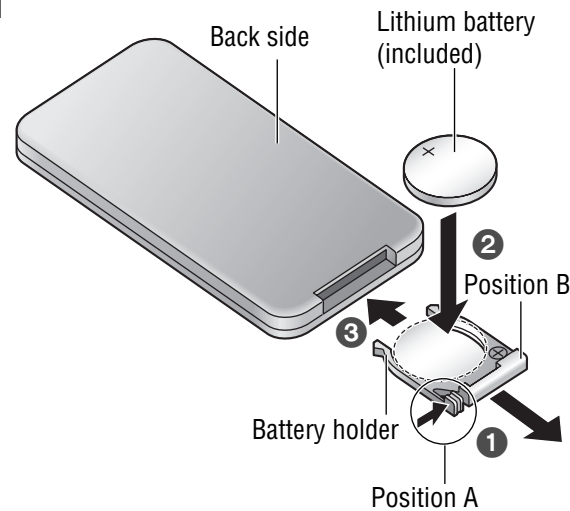
CQ-C5210U only.

**CQ-C5110U**

CQ-C5110U only.

# Preparation

## Remote Control Unit



## Battery Installation

- 1 **Remove the battery holder.**  
Pull the holder out at position B while pushing position A as indicated.
- 2 **Install the battery on the battery holder.**
- 3 **Insert the battery holder back into its original position.**

## Battery Notes

- Battery type: Panasonic lithium battery (CR2025) (included)
- Battery life: Approximately 6 months under normal use (at room temperature)

### Caution:

- Improper use of the battery may cause overheating, an explosion or ignition, resulting in injury or a fire.

- Remove and dispose of an old battery immediately.
- Do not disassemble or short the battery. Do not throw a battery into a fire.
- Keep the battery away from children to avoid the risk of accidents.
- Follow local regulations when disposing of the battery.

## Subwoofer

### Preparation:

- Connect the subwoofer (option). (page 60)

### Subwoofer level setting:

- You can change the subwoofer level. (page 38)

### Subwoofer low pass filter setting:

- You can select the upper limit frequency of the sound from subwoofer. (page 38)

# Clock Setting

The 12-hour system is used for the clock.

- Turn your car's ignition key to the ACC or ON position.
- Press [SOURCE] (PWR).
- When the power is switched on for the first time, a demonstration appears on the display. Press [DISP] (display) to change to regular mode. (page 22)

- 1 Press [DISP] (display).

ADJUST Clock display

- 2 Press and hold [DISP] (display) again for more than 2 seconds.

FM | ADJ | 12:30 Hours blink

### Hours:

- 3 Press [<] or [>].

FM | ADJ | 8:30 Hours set

- 4 Press [DISP] (display).

FM | ADJ | 8:00 Minutes blink

### Minutes:

- 5 Press [<] or [>].

FM | ADJ | 8:37 Minutes set

- 6 Press [DISP] (display).

FM | 8:37 Complete

### Note:

- "ADJUST" is displayed before adjusting the clock.
- Press and hold [<] or [>] to change numbers rapidly.

## Display Change

Press [DISP] (display).

When the power is off:

8:37 Clock display (default)



Display off



# Contents

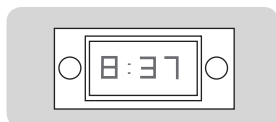
Safety Information ..... Page 2  
 Precautions ..... 2  
**Accessories** ..... 3

**Features** ..... 8

**Before Reading these Instructions** ..... 9



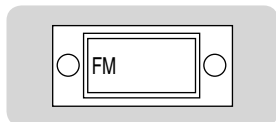
**Preparation** ..... 10  
 Remote control unit, subwoofer



**Clock Setting** ..... 11

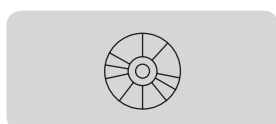


**General** ..... 22  
 Power, source, volume, mute/attenuation, rear speakers as Sub-Woofers (Super Bass Control Subwoofer/SBC-SW), open/close the front panel, panel angle (tilt), dimmer, SQ (Sound Quality)



**Radio** ..... 26  
 Radio mode, band, tuning, display change, Direct Memory (D-M), station preset, preset station calling

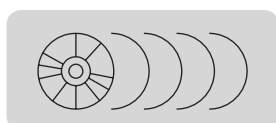
**Before Disc Playback** ..... 28  
 Available discs, disc insert, when CD is in the player, disc eject



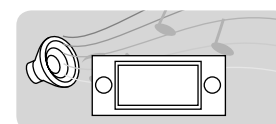
**CD Player** ..... 29  
 Display change, track selection, fast forward/fast reverse, pause, random play, scan play, repeat play, direct track selection



**MP3/WMA Player** ..... 30  
 Display change, folder selection, file selection, fast forward/fast reverse, pause, random play, folder random play, scan play, folder scan play, repeat play, folder repeat play, direct file selection, direct folder selection, notes on MP3/WMA



**CD Changer Control** ..... 34  
 CD changer mode, display change, disc selection, track selection, fast forward/fast reverse, random play, disc random play, scan play, disc scan play, repeat play, disc repeat play, CD changer selection, direct disc selection



**Audio Settings** ..... 36  
 Volume, bass/treble, SQ setting, balance/fader, subwoofer level, subwoofer low pass filter (LPF), high pass filter (HPF)



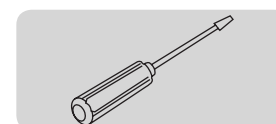
**Function Settings** ..... 40  
 Spectrum analyzer display pattern, mute/attenuation, security function



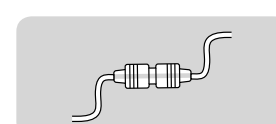
**Troubleshooting** ..... 42  
 Preliminary steps, if you suspect something wrong, troubleshooting tips, error display messages, maintenance, product servicing, fuse

**Notes on Discs** ..... 48  
 Notes on CD/CD media (CD-R, CD-RW, CD-ROM), notes on CD-Rs/RWs

**Anti-Theft System** ..... 49  
 Remove the removable face plate, install removable face plate, security indicator, panel removal alarm

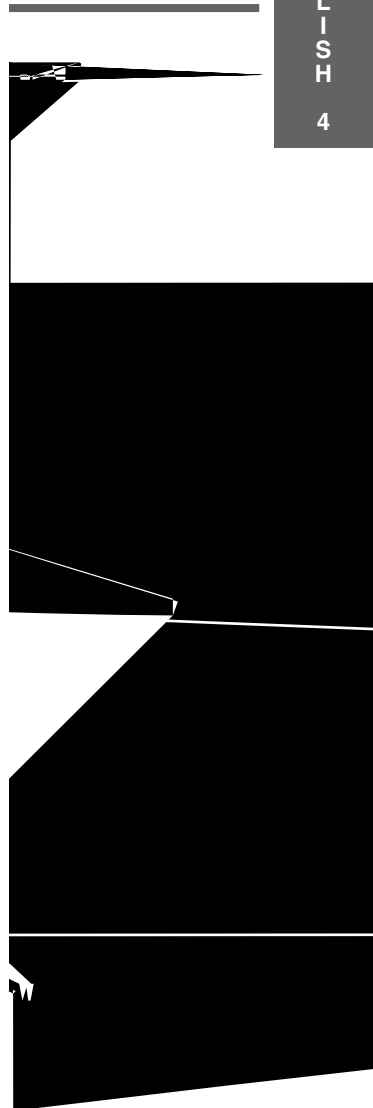
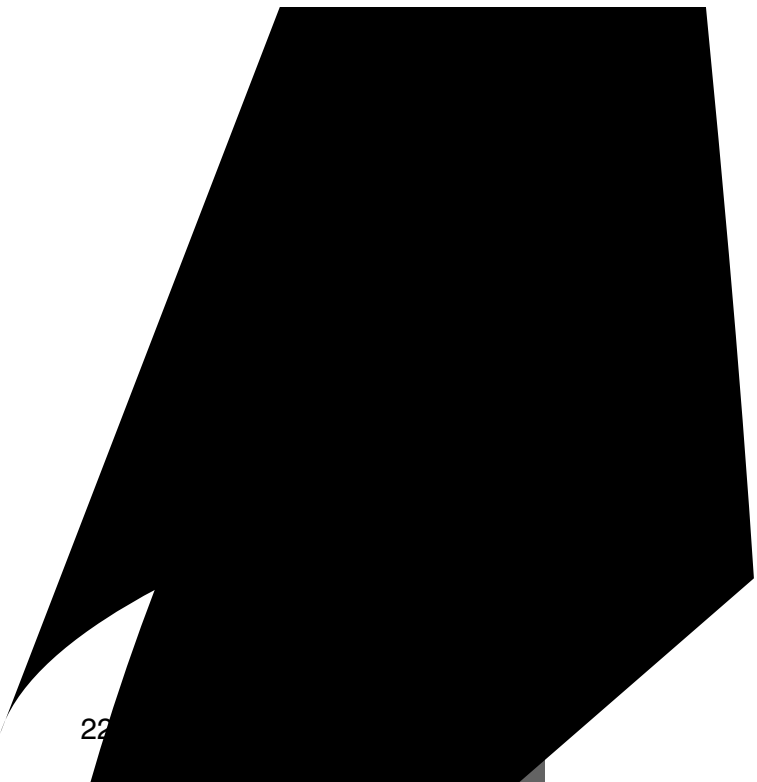


**Installation Guide** ..... 50



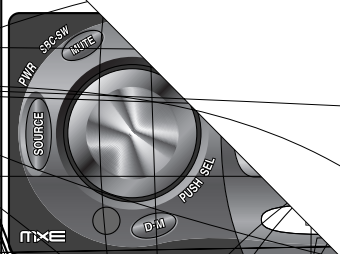
**Electrical Connections** ..... 56  
 Wiring diagram, upgrading the system 1, upgrading the system 2, speaker system connection

**Specifications** ..... 61



...ge: 0 to  
... 18)

...t independently for  
...olume setting for  
...Ms)



(default)



## Station Preset

Up to 6 stations can be stored in each of the FM1, FM2, FM3 and AM band selections.

### Auto Preset Memory (APM)

Automatically save stations with good reception in the preset memory.

- 1 Select a band. (previous page)
- 2 Press and hold **[BAND]** (**APM**: Auto Preset Memory) for more than 2 seconds.
  - The 6 stations with good reception will be automatically saved in the memory under preset number **1** to **6**.
  - Once set, the preset stations are sequentially scanned for 5 seconds each. (scanning)

### Manual Preset Memory

Manually save a station in the preset memory.

- 1 Select a band and frequency. (previous page)
- 2 Press and hold one of the buttons from **[1]** to **[6]** until the display blinks once.

---

#### Note:

- To stop scanning, press one of the buttons from **[1]** to **[6]**.
- New stations overwrite existing saved stations after this procedure.

## Preset Station Calling

- 1 Select a band. (previous page)
- 2 Press one of the preset buttons from **[1]** to **[6]**.

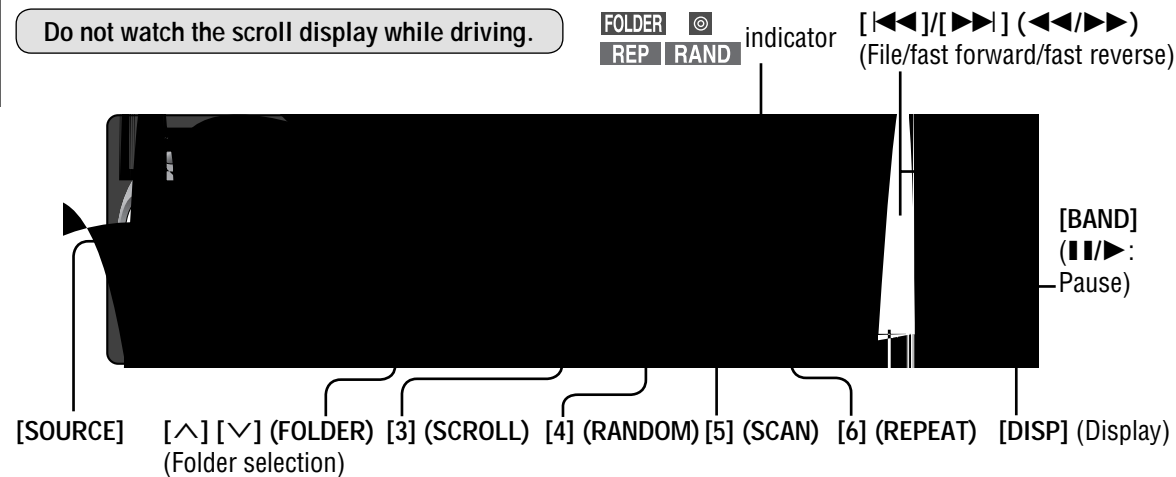




# MP3/WMA Player

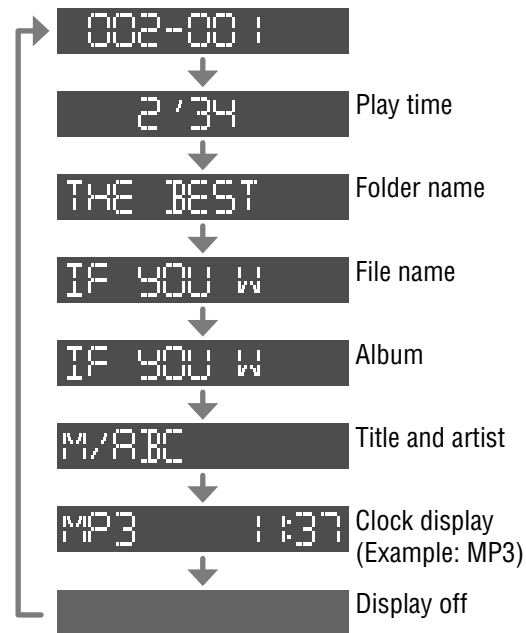
CQ-C5410U CQ-C5310U

Do not watch the scroll display while driving.



## Display Change

Press [DISP] (display).



**Note:**

- "NO TEXT" is displayed when there is no information on the disc.
- Press [3] (SCROLL) to have another circle scroll while a title is displayed. If the number of displayed characters is 8 or less, the characters do not scroll.

## Folder Selection

[^]: Next folder  
[v]: Previous folder

## File Selection

[>>>]: Next file  
[<<<]: Beginning of the current file  
For the previous file, press twice.

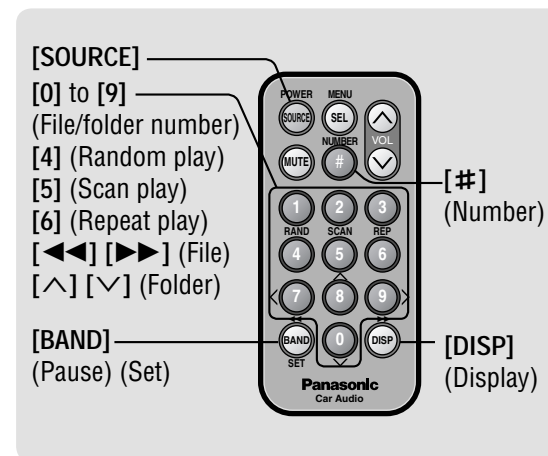
## Fast Forward/Fast Reverse

Press and hold  
[>>>] (>>>): Fast forward  
[<<<] (<<<): Fast reverse  
Release to resume the playback.

## Pause

Press [||>].  
Press [||>] again to cancel.

CQ-C5210U/CQ-C5110U cannot play MP3/WMA files.



## Random Play **RAND**

All the available files are played in a random sequence.

Press [4] (RANDOM). (**RAND** lights.)  
Press [4] (RANDOM) again to cancel.

## Folder Random Play **FOLDER RAND**

All the files on the current folder are played in a random sequence.

Press and hold [4] (RANDOM) for more than 2 seconds. (**FOLDER RAND** lights.)  
Press and hold [4] (RANDOM) again for more than 2 seconds to cancel.

## Scan Play

The first 10 seconds of each files is played in sequence.

Press [5] (SCAN).

Press [5] (SCAN) again to cancel.

## Folder Scan Play

From the next folder, the first 10 seconds of the first file on each folder is played in sequence.

Press and hold [5] (SCAN) for more than 2 seconds.

Press and hold [5] (SCAN) again for more than 2 seconds to cancel.

## Repeat Play **REP**

The current file is repeated

**REP**

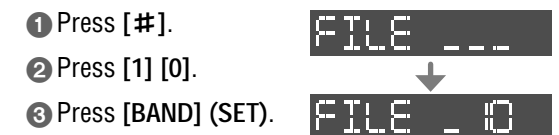
**FOLDER REP**

2 seconds. (**FOLDER REP** lights.)

Press and hold [6] (REPEAT) again for more than 2 seconds to cancel.

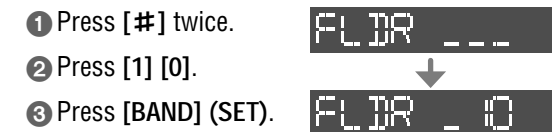
## Direct File Selection

Example: file number 10



## Direct Folder Selection

Example: folder number 10



**Note:**

- To suspend direct selection, press [DISP] (display).
- Random, scan and repeat play are canceled once [#] is pressed.
- Operation returns to the start of the disc when a folder with no MP3 or WMA format files is selected.

## Notes on MP3/WMA

### What is MP3/WMA?

MP3 (MPEG audio layer 3) and WMA (Windows Media™ Audio) are the compression formats of digital audio. The former is developed by MPEG (Motion Picture Experts Group), and the latter is developed by Microsoft Corporation. Using these compression formats, you can record the contents of about 10 music CDs on a single CD media. (This figures refer to data recorded on a 650 MB CD-R or CD-RW at a fixed bit rate of 128 kbps and a sampling frequency of 44.1 kHz.)

**Note:**

- MP3/WMA encoding and writing software is not supplied with this unit.
- CD writing software is not supplied with this unit.

### Points to Remember When Making MP3/WMA Files

**Common:**

- High bit rate and high sampling frequency are recommended for high quality sounds.
- Selecting VBR (Variable Bit Rate) is not recommended because playing time is not displayed properly and sound may be skipped.
- The playback sound quality differs depending on the encoding circumstances. For details, refer to the user manual of your own encoding software and writing software.

**MP3:**

- It is recommended to set the bit rate to “128 kbps or more” and “fixed”.

**WMA:**

- It is recommended to set the bit rate to “64 kbps or more” and “fixed”.
- Do not set the copy protect attribute on the WMA file to enable this unit to playback.

**Caution:**

- Never assign the “.mp3”, or “.wma” file name extension to a file that is not in the MP3/WMA format. This may not only produce noise from the speaker damage, but also damage your hearing.

### Display Information

■ **Displayed Items**

- |                |                      |
|----------------|----------------------|
| <b>CD-TEXT</b> | <b>MP3 (ID3 tag)</b> |
| • Disc title   | • Album title        |
| • Track title  | • Title and artist   |
| <b>MP3/WMA</b> | <b>WMA (WMA tag)</b> |
| • Folder name  | • Album title        |
| • File name    | • Title and artist   |

■ **Displayable Characters**

- Displayable length of file name/folder name: within 128 characters
- Name files and folders in accordance with the standard of each file system. Refer to the instructions of writing software for details.
- ASCII character set and special characters in each language can be displayed.

**ASCII character set:**

A to Z, a to z, digits 0 to 9, and the following symbols:  
(space) ! " # \$ % & ( ) \* + , - . / : ; < = > ? @ [ \ ] ^ \_ ` { | } ~

**Special characters:**

À Á Â Ã Ä Å à á â ã ä å  
Ò Ó Ô Õ Ö ö ò ó ô õ ö  
Ù Ú Û Ü Ù ú û ü

**Note:**

- With some software in which MP3/WMA format files have been encoded, the character information may not be displayed properly.
- Undisplayable characters and symbols will be converted into an asterisk.

Windows Media, and the Windows logo are trademarks, or registered trademarks of Microsoft Corporation in the United States and/or other countries.



### Recording MP3/WMA Files on a CD-Media

- You are recommended to minimize the chances of making a disc that contains both CD-DA files and MP3/WMA files.
- If CD-DA files are on the same disc as MP3 or WMA files, the songs may not play in the intended order, or some songs may not play at all.
- When storing MP3 data and WMA data on the same disc, use different folders for each data.
- Do not record files other than MP3/WMA files and unnecessary folder on a disc.
- The name of MP3/WMA file should be added by rules as shown in the following descriptions and also comply with the rules of each file system.
- You may encounter trouble in playing MP3/WMA files or displaying the information of MP3/WMA files recorded with certain writing software or CD recorders.
- The file extension “.mp3” or “.wma” should be assigned to each file depending on the file format.
- This unit does not have the play list function.
- Although Multi-session recording is supported, the use of Disc-at-Once is recommended.

**Supported file systems:**

ISO 9660 Level 1/Level 2, Apple Extension to ISO 9660, Joliet, Romeo

**Note:**

- Apple HFS, UDF 1.50, Mix CD, CD Extra are not supported.

**Compression formats:**

(Recommendation: “Points to Remember When Making MP3/WMA Files” on the previous page)

Compression method	Bit rate	VBR	Sampling frequency
MPEG 1 audio layer 3 (MP3)	32 kbps–320 kbps	Yes	32, 44.1, 48 kHz
MPEG 2 audio layer 3 (MP3)	8 kbps–160 kbps	Yes	16, 22.05, 24 kHz
Windows Media Audio Ver. 2/Ver. 8/Ver.9*	64 kbps–192 kbps	No	32, 44.1, 48 kHz

\* WMApro, Loss-less: Not available  
64 kbps at 48 kHz: Not available

**Copyright:**

It is prohibited by copyright laws to copy, distribute and deliver copyrighted materials such as music without the approval of copyright holder except enjoying yourself personally.

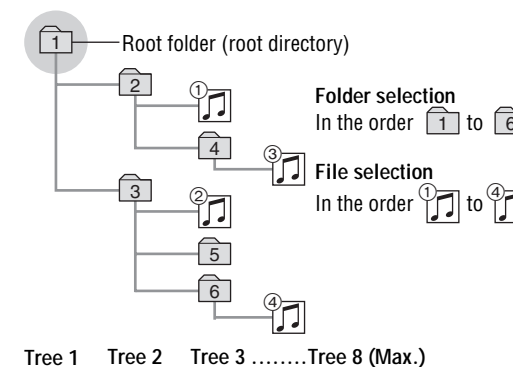
### Folder Selection Order/File Playback Order

**Maximum number of files/folders:**

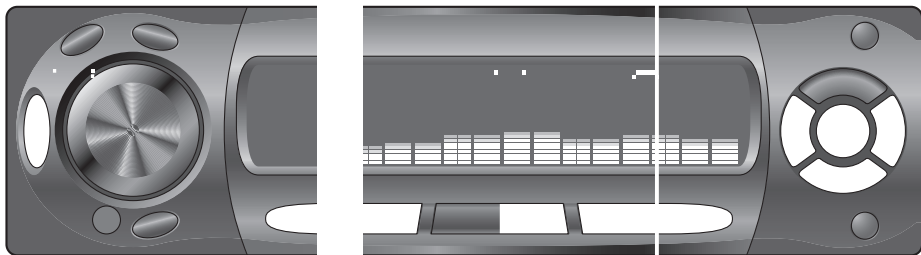
- Maximum number of files: 999
- Maximum number of files in one folder: 255
- Maximum depth of trees: 8
- Maximum number of folders: 255 (Root folder is included.)

**Note:**

- This unit counts the number of folders irrespective of the presence or absence of MP3/WMA file.
- If the selected folder does not contain any MP3/WMA files, the nearest MP3/WMA files in the order of playback will be played.
- Playback order may be different from other MP3/WMA players even if the same disc is used.
- “ROOT” appears when displaying the root folder name.



# CD Changer Control



CD changer functions are designed for optional Panasonic CD changer unit.

- Connect the CD changer, and load the magazine (CDs).

**Note:**

- The power will be turned on automatically when a magazine is loaded.
- This unit does not support the following through the CD changer.
  - CD-RW playback (except when CX-DP880U is connected.)
  - CD text display
  - MP3/WMA playback
- Pausing does not function in the CD changer mode.

or optional

magazine

atically

wing

ected.)

anger

## Display Change

Press [DISP] (display).

## Disc Selection

[^]: Next disc  
[v]: Previous disc

## Track Selection

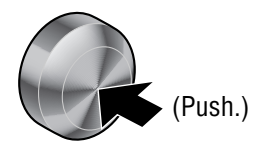
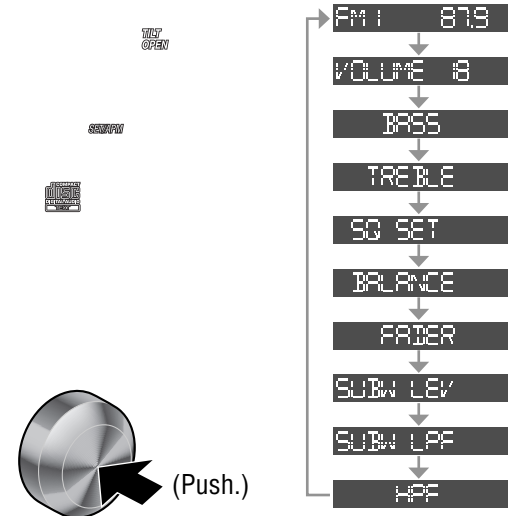
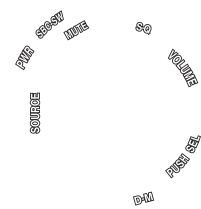
[>>>]: Next track  
[<<<]: Beginning of the current track  
For the previous track, press twice.

## Fast Forward/Fast Reverse

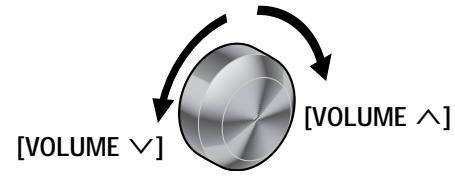
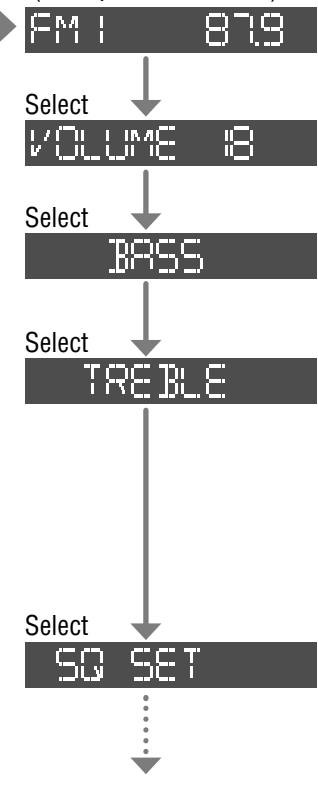
Press and hold  
[>>>] (>>>): Fast forward  
[<<<] (<<<): Fast reverse  
Release to resume the playback.

## Random Play

All the available tracks are played in a random sequence.  
Press [4] (RANDOM). ( lights.)  
Press [4] (RANDOM) again to cancel.



(Example: Radio mode)



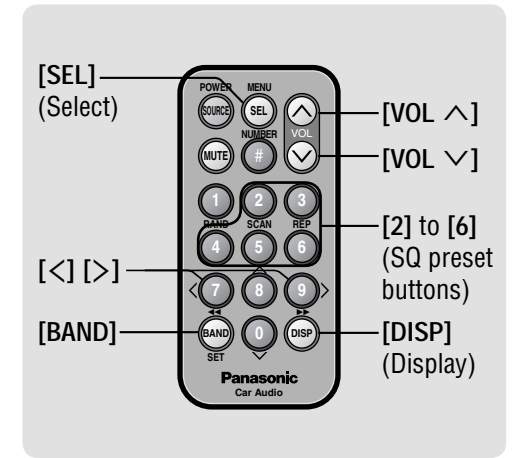
VOLUME 18

BASS 0dB

TRE 0dB

80HZ/+ 6 (SQ adjustment mode)

- 1 Press [>] or [<] to select a frequency.  
[>]: Increased  
[<]: Decreased
  - 2 Turn [VOLUME ∧∨].  
[VOLUME ∧]: Increased  
[VOLUME ∨]: Decreased
  - 3 Press and hold one of the buttons from [2] to [6] for more than 2 seconds.
    - The adjusted SQ is preset in the number of the selected button, and the regular display is restored.
- To return an adjusted SQ to the default setting
- 1 Press [SQ], and select the SQ which is to be returned to the default setting.
  - 2 Press and hold [BAND] for more than 2 seconds.



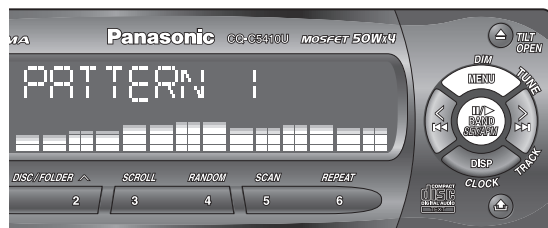
**Note:**

- Only buttons [2] to [6] can be used to preset the adjusted SQ. An adjusted SQ cannot be preset in button [1].
- To call a preset SQ, refer to page 25.
- While the SQ adjustment mode is established, only adjustments are performed, and even if the adjustment mode is exited without presetting an adjusted effect, what has been set will be reflected as the current SQ until another SQ is selected.
- Even when the SQ presets are adjusted, the display which appears when the settings are called remains unchanged.
- The SQ adjustment mode can be established also by pressing [SQ] for more than 2 seconds.





# Function Settings



The only items which can be set using [MENU] on this unit are the Function Settings (Spectrum Analyzer Display Pattern, Mute/Attenuation and Security Function).

## Spectrum Analyzer Display Pattern

Default: Pattern 1  
Variety: 6 types + OFF

## Mute/Attenuation

You can select mute or attenuation when [MUTE] is pressed (page 23).

Default: MUTE

## Security Function

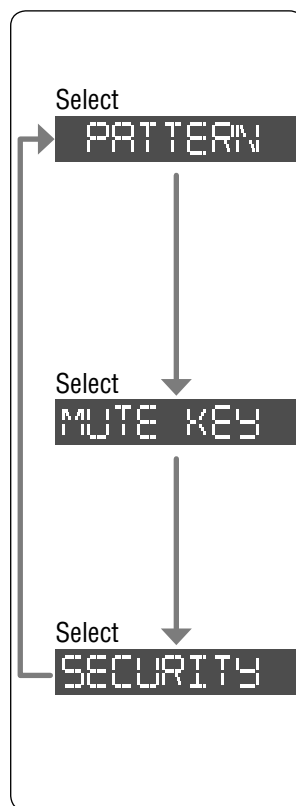
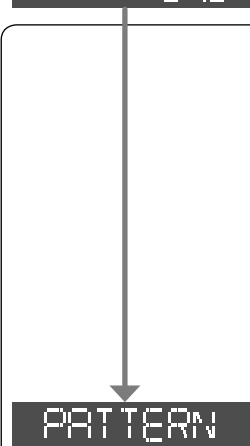
Allows you to activate the anti-theft function when leaving your car.

Default: ON

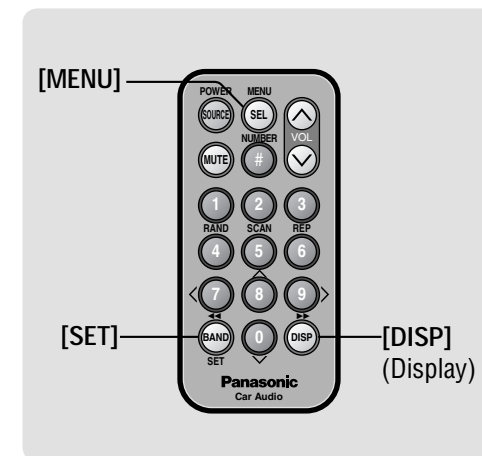
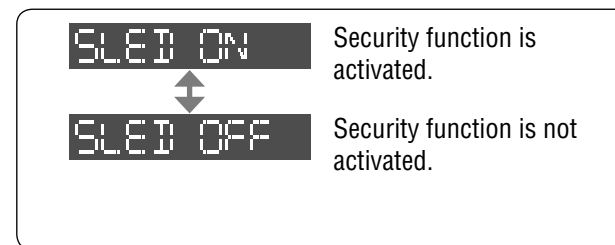
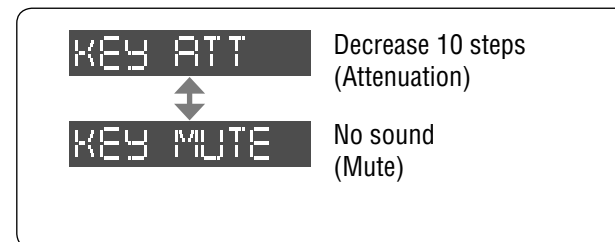
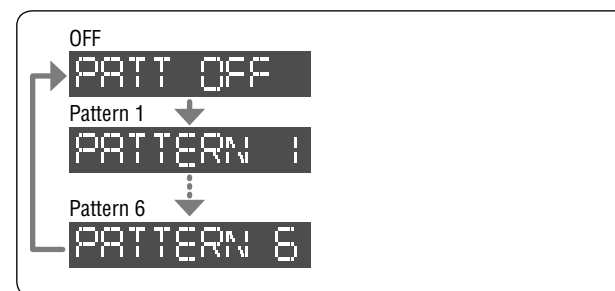
- 1 Press [MENU].
- 2 Press [MENU].

(Press and hold [MENU] for more than 2 seconds on the remote control unit.)

(Example: Radio mode)



- 3 Press [SET].



Note:

- No settings can be performed while "NO DISC" appears on the display.
- Press [DISP] (display) to return to the regular mode.

## Security Function

When the key in the ignition is turned OFF

- Security message will be displayed.



- The panel removal alarm will be active. (page 49)

When the front panel is removed

- The security indicator blinks. (page 49)

# Troubleshooting

## Preliminary Steps

Check and take steps as described in the tables below.

## If You Suspect Something Wrong

Immediately switch the power off. Disconnect the power connector and check that there is neither smoke nor heat from the unit before asking for repairs. Never try to repair the unit by yourself because it is dangerous to do so.

### Caution:

Do not use the unit if it malfunctions or if there is something wrong. Do not use the unit in abnormal condition, for example, without sound, or with smoke or foul smell, which can cause ignition or electric shock. Immediately stop using it and call the store where you purchased it.

## Troubleshooting Tips

### Common

Problem	Possible cause	Possible solution
No power to the unit	The power cord (battery, ACC and ground) is connected in the wrong way.	<b>Check the wiring.</b>
	Fuse blow out.	<b>Eliminate the cause of fuse blow out and replace the fuse with new one. Consult your dealer.</b>
The Power fails unintentionally	The safety device works.	<b>Call the store where you purchased the unit, or your nearest Panasonic Servicenter.</b>
Sound is not generated.	MUTE is set to ON.	<b>Set MUTE to OFF.</b>
	The wiring of the speaker lines are not correct, or a break or poor contact arises.	<b>Check the wiring in accordance with the wiring diagram.</b>
The demonstration screen displayed and no operable.	You cannot operate the unit while the demonstration screen appears.	<b>Press [DISP] (display) to end the demonstration screen.</b>
	If the demonstration screen appears frequently, there is a possibility that poor contact or wrong wiring arises between the battery lead of the unit and the battery cable of the car. (The battery lead should be always powered.)	<b>Check the battery wiring in accordance with the wiring diagram.</b>
Some operations are not executable.	Some operations are not executable in particular modes such as menu mode.	<b>Read the operating instructions carefully and cancel the mode. In case the unit is still out of order, consult the dealer.</b>

Problem	Possible cause	Possible solution
Noise	There is an electromagnetic-wave generator such as a cellular phone near the unit or its electrical lines.	<b>Keep an electromagnetic-wave generator such as a cellular phone away from the unit and the wiring of the unit. In case the noise cannot be eliminated due to the wiring harness of the car, consult your dealer.</b>
	The contact of the ground lead is poor.	<b>Make sure that the ground lead is connected to an unpainted part of the chassis securely.</b>
Noise is made in step with engine revolutions.	Alternator noise comes from the car.	<b>Change the wiring position of the ground lead. Mount a noise filter on the power supply.</b>
No sound from speaker (s)	Balance/fader setting is not appropriate.	<b>Readjust balance/fader.</b>
	There is a break, a short circuit, poor contact or wrong wiring regarding the speaker wiring.	<b>Check the speaker wiring.</b>
	Some speakers are out of order.	<b>Replace the speaker with new one.</b>
The speaker channels are reversed between right and left.	The speaker wiring is confused between right and left.	<b>Perform the speaker wiring in accordance with the wiring diagram.</b>
<b>Radio</b>		
Poor reception or noise	Antenna installation or wiring of antenna cable is faulty.	<b>Check whether the antenna mounting position and its wiring are correct. In addition, check to see whether the antenna ground is securely connected to the chassis.</b>
	No power is supplied to the antenna amplifier (when using a film antenna, etc.).	<b>Check the wiring of the antenna battery lead.</b>
The number of auto preset stations are less than 6.	The number of receivable stations are less than 6.	<b>Move to an area where receivable stations number is maximum, and try presetting.</b>
Preset stations cannot be stored.	The contact of the battery lead is poor, or the battery lead is not always powered.	<b>Make sure that the battery lead is connected securely, and preset stations again.</b>

# Troubleshooting (continued)

CD/MP3/WMA **CQ-C5410U** **CQ-C5310U**

CD **CQ-C5210U** **CQ-C5110U**

Problem	Possible cause	Possible solution
No playback or disc ejected	The disc is inserted upside down.	Insert a disc correctly.
	There is a flaw or foreign objects on the disc.	Remove the foreign objects, or use a flawless disc.
	The disc has unplayable formatted data.	Refer to the description about MP3/WMA for playable sound data except CD-DA (i.e. music CD).
	The unit plays back the ROM track of a mix mode CD.	Skip the ROM track.
The CD-R/RWs that are playable on other devices are not playable on this unit.	The playability of some CD-R/RWs may depend on the combination of media, recording software and recorder to be used even if these CD-R/RWs are playable on other devices such as a personal computer.	Make CD-R/RWs in different combination of media, recording software and recorder after referring to the description about MP3/WMA.
Sound skipping or noise	There is a flaw or foreign objects on the disc.	Remove the foreign objects, or use a flawless disc. For MP3/WMA, refer to the description about MP3/WMA.
Sound skipping due to vibration	The unit is not sufficiently secured.	Secure the unit to the console box with the rear support strap, etc.
	The unit is tilted at over 30° in the front-to-end direction.	Make the angle 30° or less.
Disc unejectable	Something such as a peeled obstructs the disc coming out.	Press and hold [ <b>&lt;</b> : eject] (OPEN) for more than 4 seconds when the front panel is open (disc forced ejection). In case that the disc forced ejection does not work, consult the dealer.
	The microcontroller in the unit operates abnormally due to noise or other factors.	Unplug the power cord and plug it again. In case the unit is still out of order, consult the dealer.

**Note:**  
Refer to the section on "Notes on MP3/WMA" (page 32).

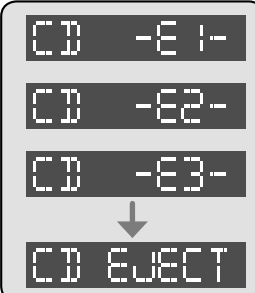



Remote Control Unit

Problem	Possible cause	Possible solution
No response to pressing buttons	The battery is inserted in the wrong direction. A wrong battery is inserted.	Insert a correct battery in the correct direction.
	The battery is weak.	Replace the battery with new one.
	The aiming direction of the remote control unit is wrong.	Aim the remote control unit at the sensor of the unit and press buttons.
	The sensor is exposed to direct sunlight. (The remote control unit may not be operable when the sensor is exposed to direct sunlight. In such a case, the system is not faulty.)	Block off sunlight to the sensor.

## Error Display Messages

CD/MP3/WMA **CQ-C5410U** **CQ-C5310U**

CD **CQ-C5210U** **CQ-C5110U**

Display	Possible cause	Possible solution
	Disc is dirty, or is upside down.	Check the disc.
	Disc has scratches.	Check the disc.
	No operation by some cause.	If normal operation is not restored, call the store where you purchased the unit or the nearest Servicerenter to ask for repairs.
	MP3/WMA § 	The player cannot read the file you are trying to play for some reasons. (File recorded in an unsupported file system, compression scheme, data format, file name extension, damaged data, etc.)
WMA § 	An attempt has been made to play a copy-protected WMA file.	Play WMA files which are not copy-protected.
	No disc in the player.	Insert a disc into the player.

§ If all the files cannot be played, E4 or E5 remains on the display.

# Troubleshooting (continued)

## □ CD Changer Control

Display	Possible cause	Possible solution
	Disc is dirty, or is upside down. A disc other than a music CD (CD-DA type) is loaded.	<b>Check the disc.</b> (The changer automatically switches to the next disc.)
	Disc has scratches.	<b>Check the disc.</b> (The changer automatically switches to the next disc.)
	No operation by some cause.	<b>If normal operation is not restored, call the store where you purchased the unit or the nearest Servicenter to ask for repairs.</b> The display continues if you cannot switch off the power.
	No disc is in the changer (magazine).	<b>Insert discs into the changer (magazine).</b>
	The dual CD changer selector is connected but the changers are not connected. The changer has become disconnected from this unit in the changer mode.	<b>Verify that correct connections have been made.</b>

**Note:**

Messages in the action and display sections of the error chart vary with changers. Refer to the operating instructions of the CD changer for details.

## Maintenance

Your product is designed and manufactured to ensure a minimum of maintenance. Use a dry and soft cloth for routine exterior cleaning. Never use benzene, thinner or other solvents.

## Product Servicing

If the suggestions in the charts do not solve the problem, we recommend that you take it to your nearest authorized Panasonic Servicenter. The product should be serviced only by a qualified technician.

## Fuse

Use fuses of the same specified rating (15 A). Using different substitutes or fuses with higher ratings, or connecting the unit directly without a fuse, could cause fire or damage to the unit.

**If the replacement fuse fails, contact your nearest Panasonic Servicenter for service.**

# Notes on Discs

## Notes on CD/CD Media (CD-R, CD-RW, CD-ROM)

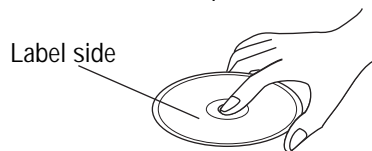
If you use commercial CDs, they must have either of these labels below.



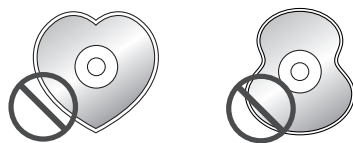
(Only for CQ-C5410U/CQ-C5310U)

### How to hold the disc

- Do not touch the underside of the disc.
- Do not scratch the disc.
- Do not bend the disc.
- When not in use, keep the disc in the case.



### Do not use irregularly shaped discs.

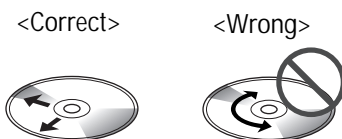


### Do not leave discs on the following places:

- Direct sunlight
- Near car heaters
- Dirty, dusty and damp areas
- Seats and dashboards

### Disc cleaning

Use a dry, soft cloth to wipe from the center outward.



### Do not attach any seals or labels to your discs.

Do not write anything on the disc label with a pointed pen or hard-point pen.

## Notes on CD-Rs/RWs

- You may have trouble playing back some CD-R/RW discs recorded on CD recorders (CD-R/RW drives), either due to their recording characteristics or dirt, fingerprints, scratches, etc. on the disc surface.
- CD-R/RW discs are less resistant to high temperatures and high humidity than ordinary music CDs. Leaving them inside a car for extended periods may damage them and make playback impossible.
- Some CD-R/RWs cannot be played back successfully thanks to incompatibility among writing software, a CD recorder (CD-R/RW drive) and the discs.
- This player cannot play the CD-R/RW discs if the session is not closed.
- This player cannot play the CD-R/RW discs which contains other than CD-DA (or MP3/WMA data **CQ-C5410U CQ-C5310U**).
- Be sure to observe the instructions of CD-R/RW disc for handling it.

# Anti-Theft System

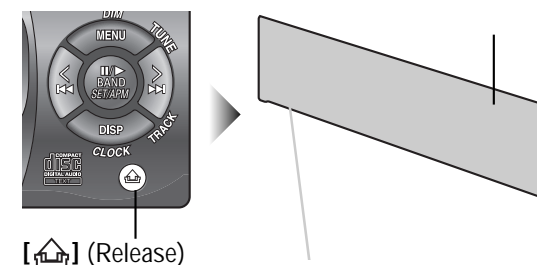
### Caution:

- This face plate is not waterproof. Do not expose it to water or excessive moisture.
- Do not remove the face plate while driving your car.
- Do not place the face plate on the dashboard or nearby areas where the temperature rises to high level.
- Do not touch the contacts on the face plate or on the main unit, since this may result in poor electrical contacts.

- If dirt or other foreign substances get on the contacts, wipe them off with a clean and dry cloth.
- To avoid damaging the face plate, do not push it down or place objects on it while it is open.
- The front panel will automatically close about 5 seconds after [Release] (release) is pressed while the front panel is tilted or open, so take care to ensure that your fingers will not be pinched by the closing panel.

## Remove the Removable Face Plate

- 1 Switch off the power of the unit (page 22).
- 2 Press [Release] (release) to remove the removable face plate. (The face plate disengages with a click when it is removed.)



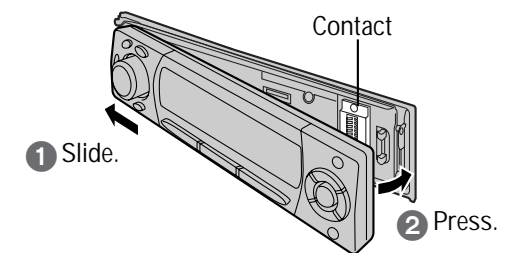
### Note:

- Be absolutely sure to turn off the main unit's power before removing the removable face plate.
  - Do not install or remove the removable face plate while it is moving.
- 3 Gently press the bottom of the case and open the cover. Place the face plate into the case and take it with you when you leave the car.

Removable face plate case

## Install Removable Face Plate

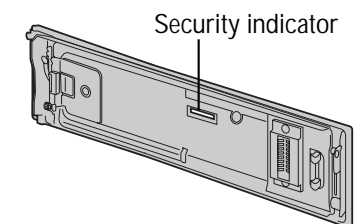
- 1 Slide the left side of the removable face plate in place.
- 2 Press the right end of removable face plate until "click" is heard.



## Security Indicator

The security indicator blinks when the face plate is removed from the unit.

This function is activated when the security function is on. (page 40)



## Panel Removal Alarm

This alarm sounds to warn you not to forget to remove the panel before leaving your car.

This function is activated when the security function is on. (page 40)

# Installation Guide



## WARNING

This installation information is designed for experienced installers and is not intended for non-technical individuals. It does not contain warnings or cautions of potential dangers involved in attempting to install this product.

Any attempt to install this product in a motor car by anyone other than a qualified installer could cause damage to the electrical system and could result in serious personal injury or death.

If your car is equipped with air bags and/or anti-theft systems specific procedures may be required for connection and disconnection of the battery to install this product.

Before attempting installation of this electronic component contact your car dealer or manufacturer to determine the required procedure and strictly follow their instructions.

**FAILURE TO FOLLOW THE PROCEDURE MAY RESULT IN THE UNINTENDED DEPLOYMENT OF AIR BAGS OR ACTIVATION OF THE ANTI-THEFT SYSTEM RESULTING IN DAMAGE TO THE VEHICLE AND PERSONAL INJURY.**

### Caution:

- This unit operates with a 12 V DC negative ground auto battery system only. Do not attempt to use it in any other system. Doing so could cause serious damage.

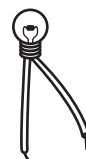
## Installation Hardware

No.	Item	Diagram	Q'ty
①	Mounting collar		1
②	Hex. nut (5 mmφ)		1
③	Rear support strap		1
④	Tapping screw (5 mmφ×16 mm)		1
⑤	Mounting bolt (5 mmφ)		1
⑥	Power connector		1
⑦	Trim plate		1
⑧	Lock cancel plate		2

## Required Tools

You'll need a screwdriver, a 1.5 V AA battery, and the following:

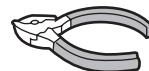
12 V DC  
Test bulb



Electrical tape



Side-cut  
pliers



## Overview

This product should be installed by a professional. However, if you plan to install this product yourself, your first step is to decide where to install it. The instructions in these pages will guide you through the remaining steps:

**(Please refer to the "WARNING" statement.)**

- Identify and label the car wires.
- Connect the car wires to the wires of the power connector.
- Install the unit in the dashboard.
- Check the operation of the unit.

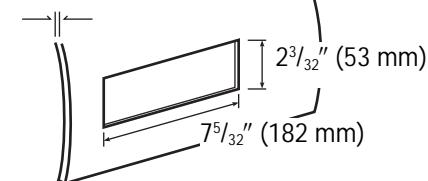
If you encounter problems, please consult your nearest professional installer.

Before you begin installation, look for the items which are packed with your unit.

- **Warranty Card**... Fill this out promptly.
- **Panasonic Servicenter List for Service Directory**... Keep for future reference in case the product needs servicing.
- **Installation Hardware**... Needed for in-dash installation.

## Dashboard Specifications

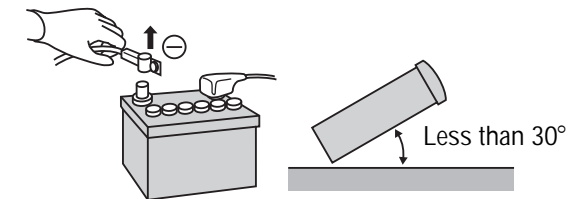
Thickness Min.  $\frac{3}{16}$ " (4.75 mm)  
Max.  $\frac{7}{32}$ " (5.56 mm)



## Preparation

- We strongly recommend that you wear gloves for installation work to protect yourself from injuries.
- When bending the mounting tabs of the mounting collar with a screwdriver, be careful not to injure your hands and fingers.

- Disconnect the cable from the negative ⊖ battery terminal (see caution below).
- Unit should be installed in a horizontal position with the front end up at a convenient angle, but not more than 30°.



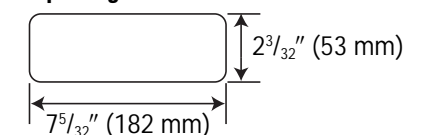
### Caution:

- If your car is equipped with air bags and/or anti-theft systems specific procedures may be required for connection and disconnection of the battery to install this product.
- Before attempting installation of this electronic component contact your car dealer or manufacturer to determine the required procedure and strictly follow their instructions.
- **FAILURE TO FOLLOW THE PROCEDURE MAY RESULT IN THE UNINTENDED DEPLOYMENT OF AIR BAGS OR ACTIVATION OF THE ANTI-THEFT SYSTEM RESULTING IN DAMAGE TO THE VEHICLE AND PERSONAL INJURY.**

### Note:

- Various settings that have been stored in the memory in other on-board equipment (car navigation etc.) may be lost if the battery terminals are disconnected. Therefore, we recommend to make a record of or to back up the settings before disconnecting the terminals. After completing installation of the main unit, set the equipment again according to the record.

## Dashboard Installation Installation Opening



This unit can be installed in any dashboard having an opening as shown above. The dashboard should be  $\frac{3}{16}$ " (4.75 mm)– $\frac{7}{32}$ " (5.56 mm) thick in order to be able to support the unit.



## Identify All Leads

The first step in installation is to identify all the car wires you'll use when hooking up your sound system.

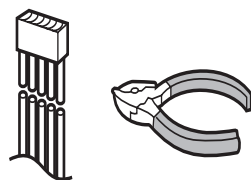
As you identify each wire, we suggest that you label it using masking tape and a permanent marker. This will help avoid confusion when making connections later.

### Note:

- Do not connect the power connector to the stereo unit until you have made all connections. If there are no plastic caps on the stereo hooking wires, insulate all exposed leads with electrical tape until you are ready to use them. Identify the leads in the following order.

### Power Lead

If your car has a radio or is pre-wired for one: Cut the connector wires one at a time from the plug (leaving the leads as long as possible) so that you can work with individual leads.



Turn the ignition on to the accessory position, and ground one lead of the test bulb to the chassis.

Touch the other lead of the test bulb to each of the exposed wires from the cut radio connector plug. Touch one wire at a time until you find the outlet that causes the test bulb to light.

Now turn the ignition off and then on. If the bulb also turns off and on, that outlet is the car power lead.

If your car is not wired for an audio unit: Go to the fuse block and find the fuse port for radio (RADIO), accessory (ACC), or ignition (IGN).

### Battery Lead

If your stereo unit has a yellow lead, you will need to locate the car's battery lead. Otherwise you may ignore this procedure. (The yellow battery lead provides continuous power to maintain a clock, memory storage, or other function.)

If your car has a radio or is pre-wired for one: With the ignition and headlights off, identify the car battery lead by grounding one lead of the test bulb to the chassis and checking the remaining exposed wires from the cut radio connector plug.

If your car is not wired for an audio unit: Go to the fuse block and find the fuse port for the battery, usually marked BAT.

### Speakers

Identify the car speaker leads. There are two leads for each speaker which are usually color coded. A handy way to identify the speaker leads and the speaker they are connected with is to test the leads using a 1.5 V AA battery as follows.

Hold one lead against one pole of the battery and stroke the other lead across the other pole. You will hear a scraping sound in one of the speakers if you are holding a speaker lead.

If not, keep testing different lead combinations until you have located all the speaker leads. When you label them, include the speaker location for each.

### Antenna Motor

If your car is equipped with an automatic power antenna, identify the car motor antenna lead by connecting one bulb tester lead to the car battery lead and touching the remaining exposed wires from the cut radio connector plug one at a time. You will hear the antenna motor activate when you touch the correct wire.

### Antenna

The antenna lead is a thick, black wire with a metal plug at the end.

## Connect All Leads

Now that you have identified all the wires in the car, you are ready to begin connecting them to the stereo unit wires. The wiring diagram (page 56) shows the proper connections and color coding of the leads.

We strongly recommend that you test the unit before making a final installation.

You can set the unit on the floor and make temporary connections to test the unit. Use electrical tape to cover all exposed wires.

### Important:

- Connect the red power lead last, after you have made and insulated all other connections.

### Ground

Connect the black ground lead of the power connector to the metal car chassis.

### Speakers

Connect the speaker wires. See the wiring diagram (page 56) for the proper hookups. Follow the diagram carefully to avoid damaging the speakers and the stereo unit.

The speakers used must be able to handle more than 50 W of audio power. If using an optional audio amplifier, the speakers should be able to handle the maximum amplifier output power.

Speakers with low input ratings can be damaged. Speaker impedance should measure 4–8  $\Omega$ , which is typically marked on most speakers. Lower or higher impedance speakers will affect output and can cause both speaker and stereo unit damage.

### Motor Antenna

Connect the car motor antenna lead to the dark blue motor antenna relay control lead. (Do not confuse the antenna lead with blue/white stripe lead for a power amplifier.)

### Battery

Connect the yellow battery lead to the correct radio wire or to the battery fuse port on the fuse block.

### Antenna

Connect the antenna by plugging the antenna lead into the antenna receptacle.

### Equipment

Connect any optional equipment such as an amplifier, according to the instructions furnished with the equipment. Leave about 12" (30 cm) of distance between the speaker leads/amplifier unit and the antenna/antenna extension cord. Read the operating and installation instructions of any equipment you will connect to this unit.

### Power

Connect the red power lead to the correct car radio wire or to the appropriate fuse port on the fuse block.

If the stereo unit functions properly with all these connections made, disconnect the wires and proceed to the final installation.

## Final Installation

### Lead Connections

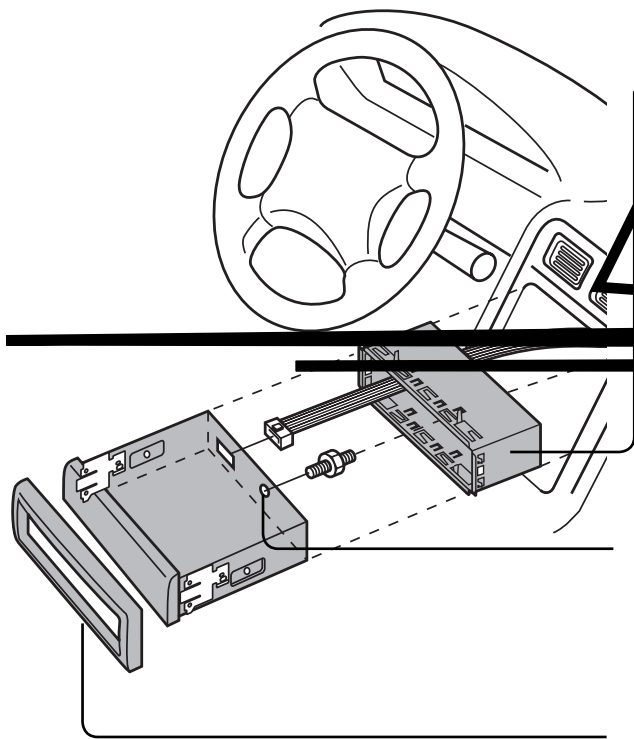
Connect all wires, making sure that each connection is insulated and secure. Bundle all loose wires and fasten them with tape so they will not fall down later. Now insert the stereo unit into the mounting collar.

Congratulations! After making a few final checks, you're ready to enjoy your new auto stereo system.

## Final Checks

- Make sure that all wires are properly connected and insulated.
- Make sure that the stereo unit is securely held in the mounting collar.
- Turn on the ignition to check the unit for proper operation.

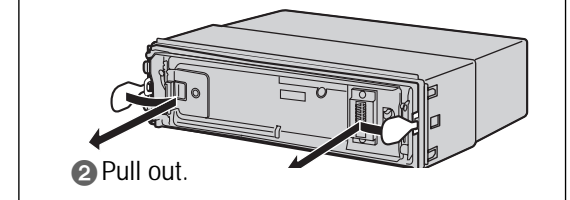
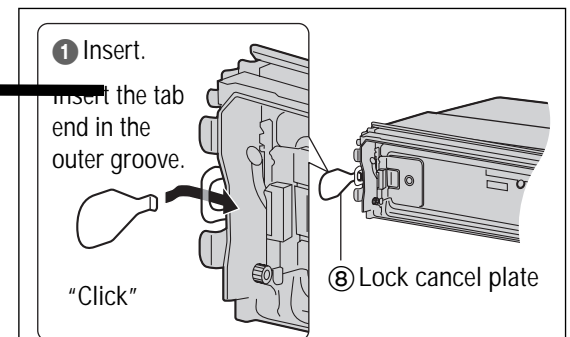
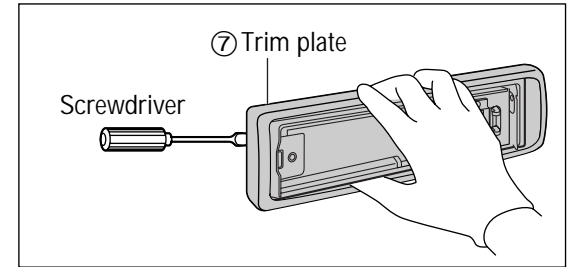
If you have difficulties, consult your nearest authorized professional installer for assistance.



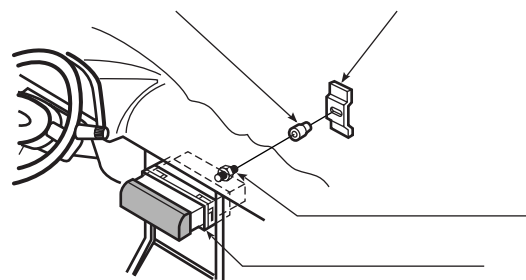
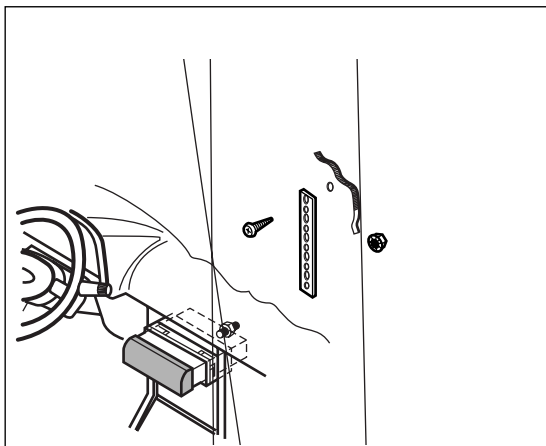
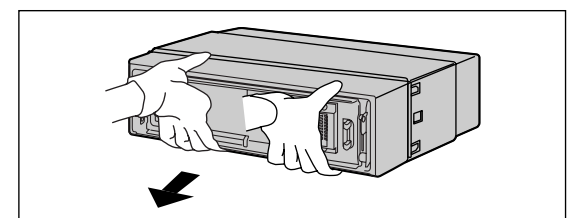
## Remove the Unit

Switch off the power of the unit.

- 1 Remove the removable face plate. (page 49)
- 2 Remove the trim plate ⑦ with a screwdriver.
- 3 ① Insert the lock cancel plates ⑧ along the grooves on both sides of the main unit until "click" is heard.  
② Pull out the unit while pushing the plates further inside.



- 4 Remove the unit pulling with both hands.



# Electrical Connections

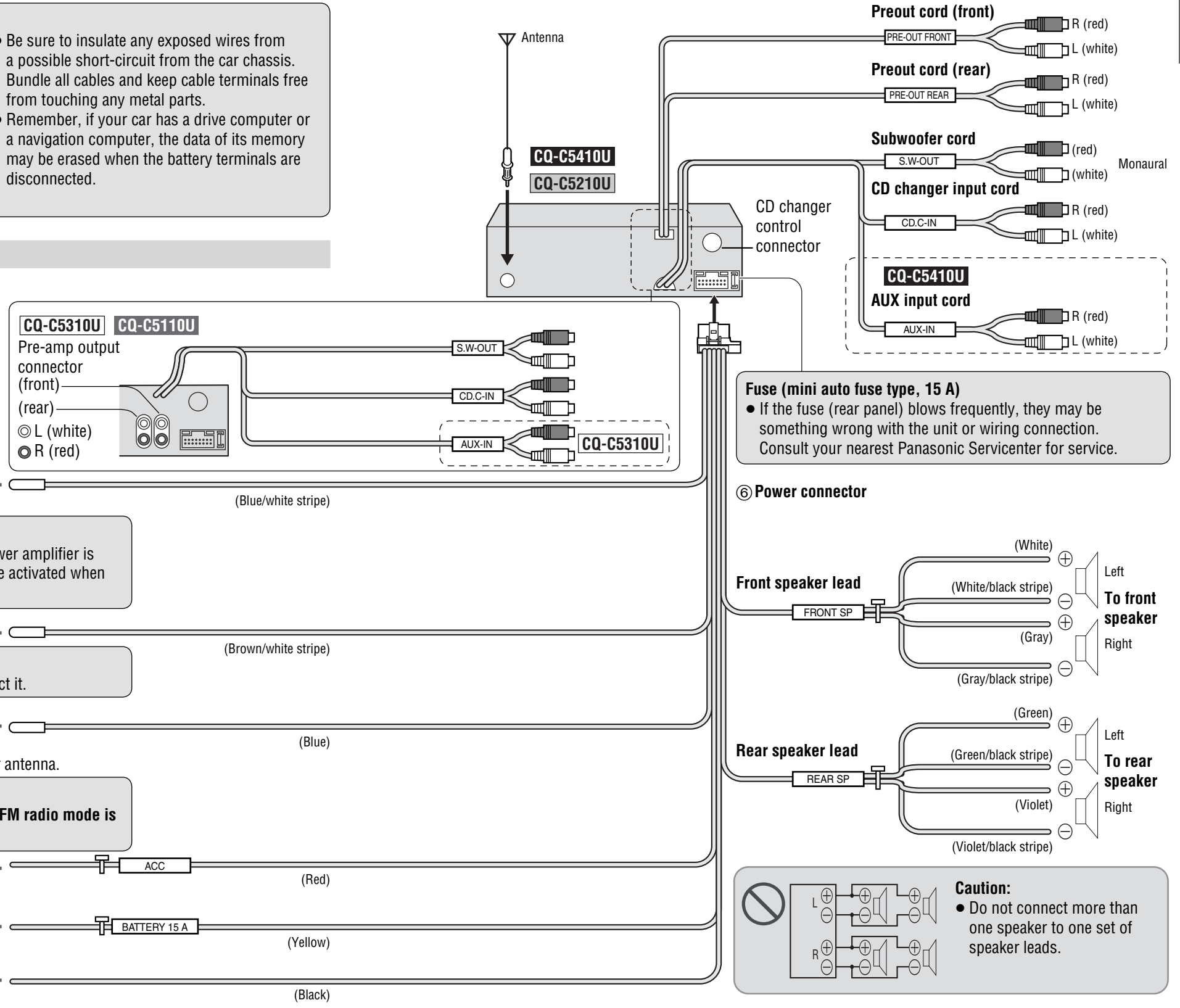
**Caution:**

- This product is designed to operate with a 12 V DC, negative ground battery system.
- To prevent damage to the unit, be sure to follow the connection diagram below.
- Remove approximately 1/4" (5 mm) of protective covering from the ends of the leads before connecting.
- Do not insert the power connector into the unit until the wiring is completed.
- Be sure to insulate any exposed wires from a possible short-circuit from the car chassis. Bundle all cables and keep cable terminals free from touching any metal parts.
- Remember, if your car has a drive computer or a navigation computer, the data of its memory may be erased when the battery terminals are disconnected.

## Wiring Diagram

**Accessory used for wiring**

No.	Item	Q'ty
⑥	Power connector	1



**External amplifier control power lead** (max. 500 mA)  
This lead is for connection to the power amplifier.

**Note:**  
• This lead is used for power control when an external power amplifier is connected. The power supply of a power amplifier will be activated when turning on the power of this unit.

**Dual CD changer control lead**

**Note:**  
• Insulate this lead with vinyl tape when you do not connect it.

**Antenna control lead**

(to motor antenna) (max. 500 mA)  
This lead is not intended for use with switch actuated power antenna.

**Note:**  
• The power antenna extends automatically when the AM/FM radio mode is selected.

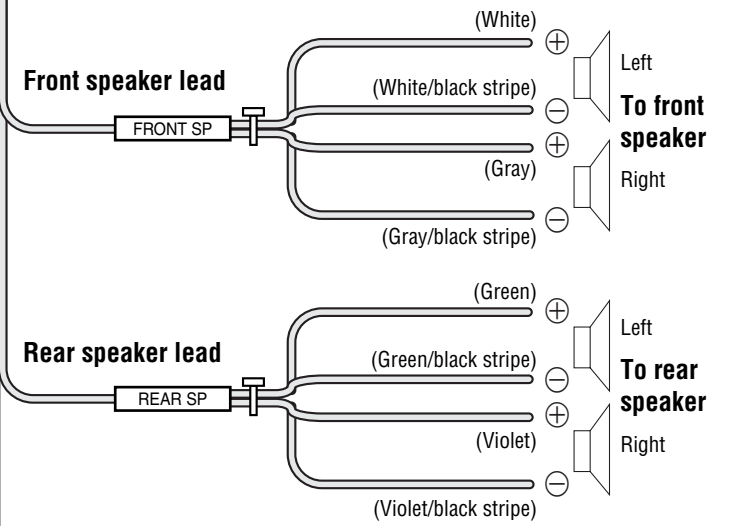
**ACC power lead**  
To ACC power, +12 V DC.

**Battery lead**  
To the car battery, continuous +12 V DC.

**Ground lead**  
To a clean, bare metallic part of the car chassis.

**Fuse (mini auto fuse type, 15 A)**  
• If the fuse (rear panel) blows frequently, they may be something wrong with the unit or wiring connection. Consult your nearest Panasonic Servicenter for service.

⑥ **Power connector**



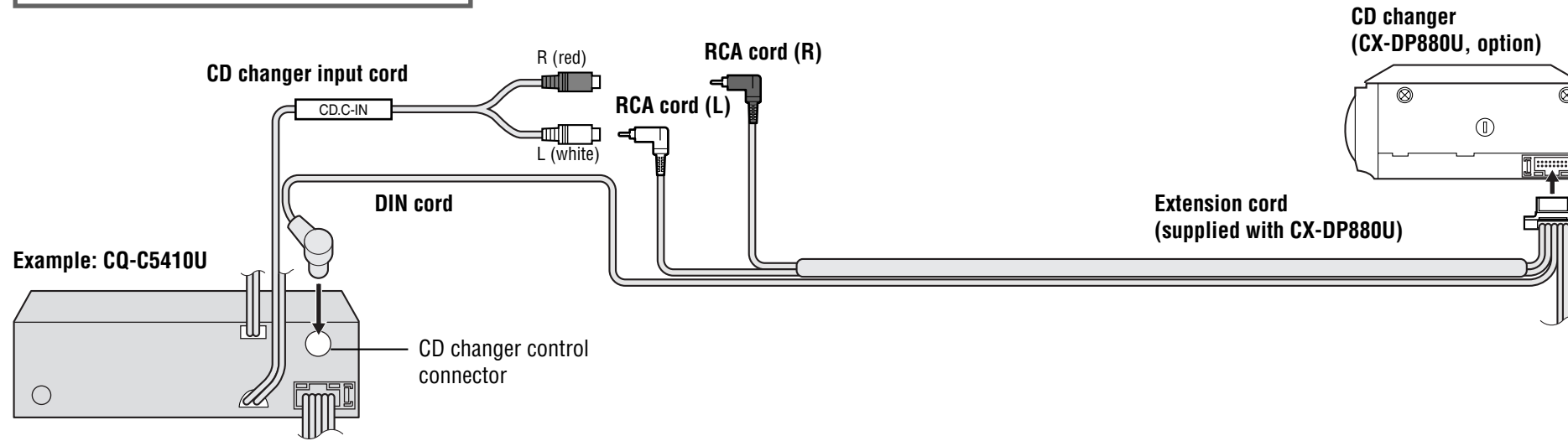
**Caution:**  
• Do not connect more than one speaker to one set of speaker leads.

# Electrical Connections (continued)

## Upgrading the System 1

### Example combination

- CD changer (CX-DP880U, option)



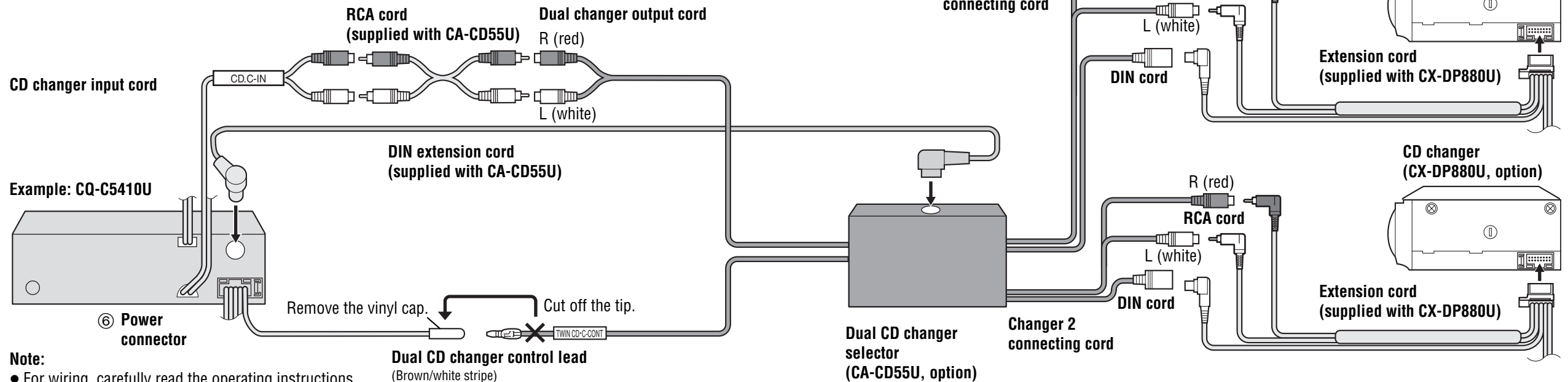
### Note:

- For wiring, carefully read the operating instructions for the devices connected.

## Upgrading the System 2

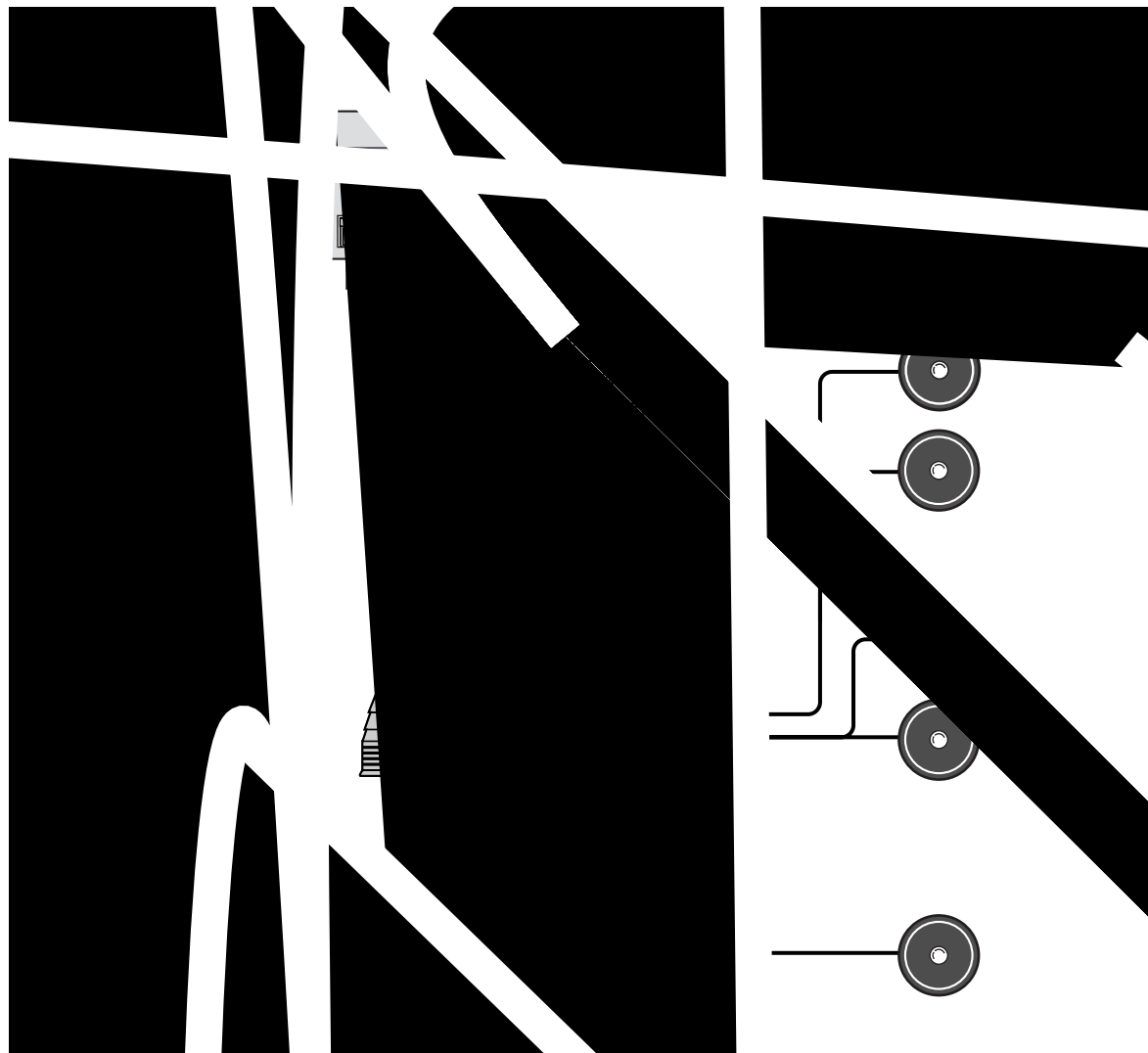
### Example combination

- CD changer (CX-DP880U, option)
- Dual CD changer selector (CA-CD55U, option)



### Note:

- For wiring, carefully read the operating instructions for the devices connected.
- This unit does not support Sirius satellite radio.
- You cannot connect CD changer and Sirius receiver using the dual CD changer selector (CA-CD55U, option).



**Panasonic Consumer  
Electronics Company,  
Division of Matsushita Electric  
Corporation of America**  
One Panasonic Way, Secaucus,  
New Jersey 07094  
<http://www.panasonic.com>

**Panasonic Sales Company.  
Division of Matsushita Electric  
of Puerto Rico, Inc. ("PSC")**  
Ave. 65 de Infantería, Km. 9.5  
San Gabriel Industrial Park,  
Carolina, Puerto Rico 00985  
<http://www.panasonic.com>

**Panasonic Canada Inc.**  
5770 Ambler Drive,  
Mississauga, Ontario  
L4W 2T3  
<http://www.panasonic.ca>

YEFM284142

FT1003-2113

Printed in China  
Imprimé en Chine  
Impreso en China



## Free Manuals Download Website

<http://myh66.com>

<http://usermanuals.us>

<http://www.somanuals.com>

<http://www.4manuals.cc>

<http://www.manual-lib.com>

<http://www.404manual.com>

<http://www.luxmanual.com>

<http://aubethermostatmanual.com>

Golf course search by state

<http://golfingnear.com>

Email search by domain

<http://emailbydomain.com>

Auto manuals search

<http://auto.somanuals.com>

TV manuals search

<http://tv.somanuals.com>