

Panasonic®

Operating Instructions for Car Mounter Handheld Computer

Model No. **CF-P2 Series**

TOUGHBOOK

Please read this instructions manual carefully before using this product and save this manual for future use.

Contents

Introduction	2
Installation	3
Operating Instructions	6

Introduction

Thank you for purchasing the car mounter. Read these instructions carefully in conjunction with CF-P2 operating instructions.

Illustrations and Terminology in this Manual

NOTE:

NOTE provides a useful fact or helpful information.

CAUTION:

CAUTION indicates a condition that may result in minor or moderate injury.



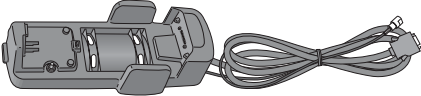
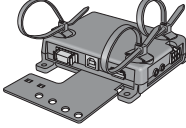






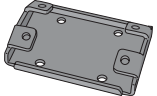
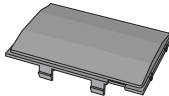

- [Programs]: This illustration means to tap  at the top of the screen, then to tap [Programs].



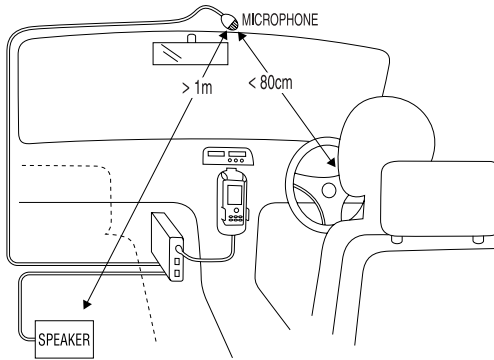
Where to go for referred information.

Confirm the inclusion of all parts.

Make sure the parts shown in the figure have been supplied. If any of these items is missing or is not working properly, contact Panasonic Technical Support.

Cradle 1	Car Kit 1	
		
Car Cable 1	Speaker 1	
		
Microphone 1	Safety Precautions 1	
		
Screw A 2 • Washer A 2	Screw B 4 • Washer B 4	
(For Speaker) 	(For Cradle) 	
Bracket 1	Cover 1	Binder 3
		

Installation

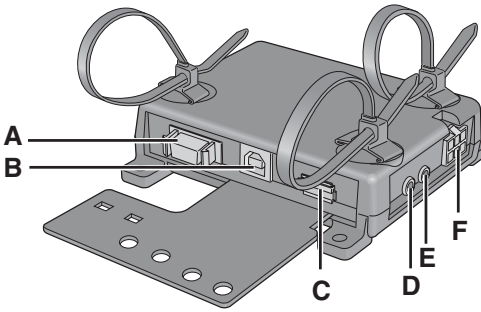


Take the following into account when installing the microphone and the antenna.

- Distance from microphone to the speaker $> 1m$
- Distance from microphone to the user's mouse $< 80cm$
- Avoid installing directly in the air flow of the sunroof, window or ventilation.
- Distance from microphone to the GSM/GPRS antenna $> 50cm$

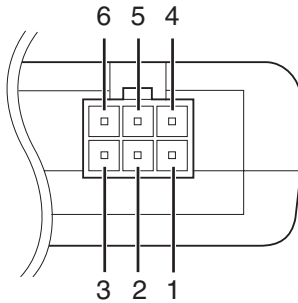
Installation

● Connector



A	Connected to Cradle
B	Connected to PC
C	Connected to USB Device
D	Connected to Speaker
E	Connected to Microphone
F	Connected to Car cables (👉 below)

● Car Cable Connections



	Color	Connections	Fuse
1	Red	Battery (+) DC12.0V	3A ^{*1}
2	Blue	Ignition	1A ^{*2}
3	Yellow	Radio Mute/Ground	1A ^{*2}
4	———	———	—
5	———	———	—
6	Black	Ground	—

^{*1} Use iMaxx's fuse (Parts No. FB3).

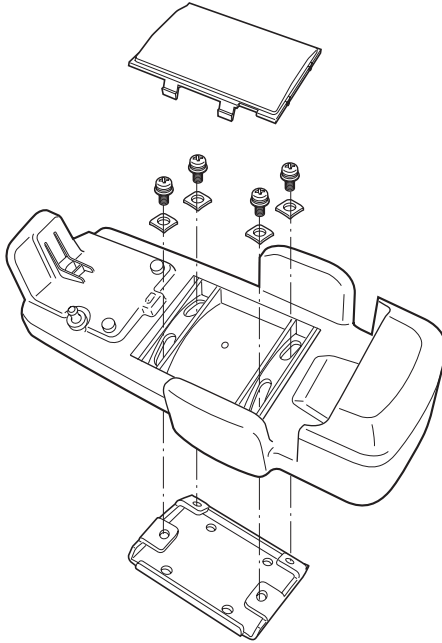
^{*2} Use iMaxx's fuse (Parts No. FB1).

CAUTION

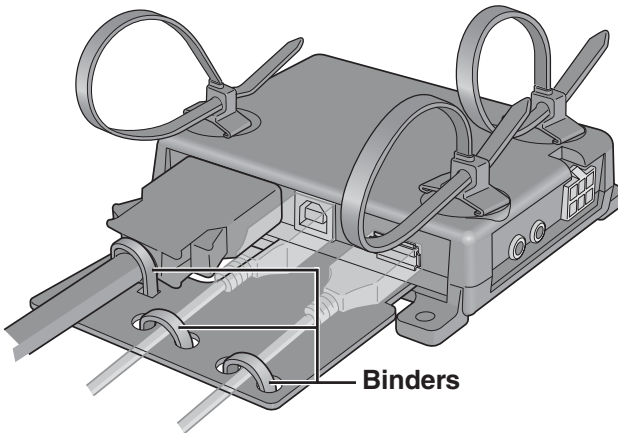
- Ensure to use the fuse.

Installation

● Cradle



● Binders

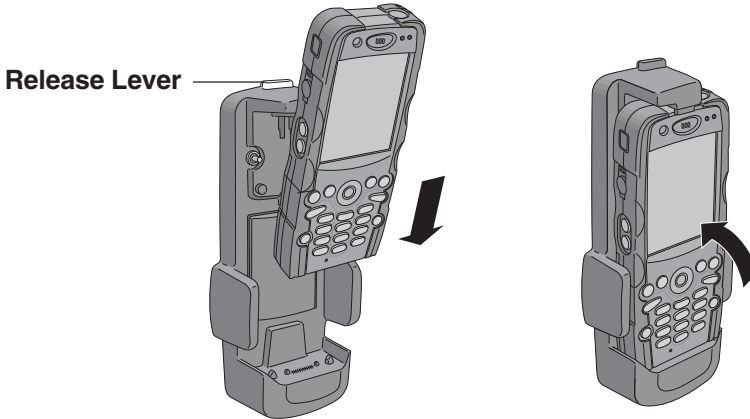


Operating Instructions

Inserting CF-P2

Insert CF-P2 into the cradle as shown below.

If the hook is hanging down, press the release lever, and insert CF-P2 after lifting up the hook. Insert CF-P2 firmly until the hook “clicks”.



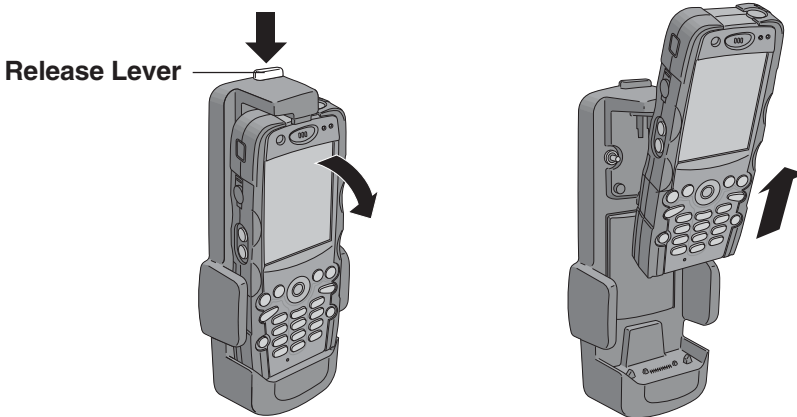
CAUTION

- When inserting CF-P2, do not force it or strike it.
- Inserting CF-P2 forcefully while the hook is down may result in damage to CF-P2 or cradle.

Operating Instructions

Removing CF-P2

Press the release lever firmly and lift CF-P2 up.





CAUTION

- Do not try to remove CF-P2 forcefully without pressing the release lever, as this may result in damage to CF-P2 or cradle.

Using CF-P2 handsfree

CF-P2 phone function can be used without having to remove CF-P2 from the car cradle, by speaking into the microphone and listening to the speaker.

- If power is being supplied to the Car kit (when the vehicle's engine is turned on), when CF-P2 is inserted into the car cradle, the following functions will work automatically.
 - Handsfree
 - Output from CF-P2 speaker and headset will switch to the output from the speaker connected to the Car kit. The microphone will also switch from CF-P2 microphone connected to the Car kit.
- If you add a check mark for [Mute Car audio when playing sound] in  - [Settings] - [System] tab - [Audio] - [Car Audio and Mic] tab, the car audio will be muted when playing sound.
- If you add a check mark for [Automatic Pickup] in  - [Settings] - [Personal] tab - [Phone] - [More] tab, you can select time before answering incoming calls automatically.

PCE0158A_PPC

Free Manuals Download Website

<http://myh66.com>

<http://usermanuals.us>

<http://www.somanuals.com>

<http://www.4manuals.cc>

<http://www.manual-lib.com>

<http://www.404manual.com>

<http://www.luxmanual.com>

<http://aubethermostatmanual.com>

Golf course search by state

<http://golfingnear.com>

Email search by domain

<http://emailbydomain.com>

Auto manuals search

<http://auto.somanuals.com>

TV manuals search

<http://tv.somanuals.com>