

Panasonic®

WMA MP3 CD Player/Receiver

Model: CQ-RX450W Operating Instructions



WMA MP3

• Please read these instructions carefully before using this product and keep this manual for future reference.

Safety Information

■ Read the operating instructions for the unit and all other components of your car audio system carefully before using the system. They contain instructions about how to use the system in a safe and effective manner. Panasonic assumes no responsibility for any problems resulting from failure to observe the instructions given in this manual.

■ This manual uses pictographs to show you how to use the product safely and to alert you to potential dangers resulting from improper connections and operations. The meanings of the pictographs are explained below. It is important that you fully understand the meanings of the pictographs in order to use this manual and the system properly.



Warning

This pictograph intends to alert you to the presence of important operating instructions and installation instructions. Failure to heed the instructions may result in severe injury or death.



Caution

This pictograph intends to alert you to the presence of important operating instructions and installation instructions. Failure to heed the instructions may result in injury or material damage.



Warning

Observe the following warnings when using this unit.

- ❑ **The driver should neither watch the display nor operate the system while driving.**
Watching the display or operating the system will distract the driver from looking ahead of the vehicle and can cause accidents.
Always stop the vehicle in a safe location and use the parking brake before watching the display or operating the system.
- ❑ **Use the proper power supply.**
This product is designed for operation with a negative grounded 12 V DC battery system. Never operate this product with other battery systems, especially a 24 V DC battery system.
- ❑ **Keep batteries and insulation film out of reach of infants.**
Batteries and insulation film can be ingested, so keep them out of the reach of infants. If an infant ingests a battery or insulation film, please seek immediate medical attention.
- ❑ **Protect the Deck Mechanism.**
Do not insert any foreign objects into the slot of this unit.
- ❑ **Do not disassemble or modify the unit.**
Do not disassemble, modify the unit or attempt to repair the product yourself. If the product needs to be repaired, consult your dealer or an authorized Panasonic Service Center.
- ❑ **Do not use the unit when it is out of order.**
If the unit is out of order (no power, no sound) or in an abnormal state (has foreign objects in it, is exposed to water, is smoking, or smells), turn it off immediately and consult your dealer or an authorized Panasonic Service Center.
- ❑ **The remote control unit should not lie about in the car.**
If the remote control unit lies about, it could fall on the floor while driving, get wedged under the brake pedal, and lead to a traffic accident.
- ❑ **Refer fuse replacement to qualified service personnel.**
When the fuse blows out, eliminate the cause and have it replaced with the fuse prescribed for this unit by a qualified service engineer. Incorrect replacement of the fuse may lead to smoke, fire, and damage to the product.

Observe the following warnings when installing.

- ❑ **Disconnect the lead from the negative (-) battery terminal before installation.**
Wiring and installation with the negative (-) battery terminal connected may cause electrical shock and injury due to a short circuit. Some cars equipped with the electrical safety system have specific procedures of battery terminal disconnection.
FAILURE TO FOLLOW THE PROCEDURE MAY LEAD TO THE UNINTENDED ACTIVATION OF THE ELECTRICAL SAFETY SYSTEM RESULTING IN DAMAGE TO THE VEHICLE AND PERSONAL INJURY OR DEATH.
- ❑ **Never use safety-related components for installation, grounding, and other such functions.**
Do not use safety-related vehicle components (fuel tank, brake, suspension, steering wheel, pedals, airbag, etc.) for wiring or fixing the product or its accessories.
- ❑ **Installing the product on the air bag cover or in a location where it interferes with airbag operation is prohibited.**
- ❑ **Check for piping, gasoline tank, electric wiring, and other items before installing the product.**
If you need to open a hole in the vehicle chassis to attach or wire the product, first check where the wire harness, gasoline tank, and electric wiring are located. Then open the hole from outside if possible.
- ❑ **Never install the product in a location where it interferes with your field of vision.**
- ❑ **Never have the power cord branched to supply other equipment with power.**
- ❑ **After installation and wiring, you should check the normal operation of other electrical equipment.**
The continuation of their using in abnormal conditions may cause fire, electrical shock or a traffic accident.
- ❑ **In the case of installation to an airbag-equipped car, confirm warnings and cautions of the vehicle manufacturer before installation.**
- ❑ **Make sure the leads do not interfere with driving or getting in and out of the vehicle.**
- ❑ **Insulate all exposed wires to prevent short circuiting.**
- ❑ **Keep accessories out of reach of infants.**
Accessories can be ingested, so keep them out of the reach of infants. If an infant ingests accessories, please seek immediate medical attention.

Caution

Observe the following cautions when using this unit.

- ❑ **Keep the sound volume at an appropriate level.**
Keep the volume level low enough to be aware of road and traffic conditions while driving.
- ❑ **This unit is designed for use exclusively in automobiles.**
- ❑ **Do not operate the unit for a prolonged period with the engine turned off.**
Operating the audio system for a long period of time with the engine turned off will drain the battery.
- ❑ **Do not expose the unit to direct sunlight or excessive heat.**
Otherwise these will raise the interior temperature of the unit, and it may lead to smoke, fire, or other damage to the unit.
- ❑ **Do not use the product where it is exposed to water, moisture, or dust.**
Exposure of the unit to water, moisture, or dust may lead to smoke, fire, or other damage to the unit. Make especially sure that the unit does not get wet in car washes or on rainy days.
- ❑ **Set the volume level to low enough before the AUX connection is completed.**
Failure to observe this, the loud noise may come out and damage your speakers and your hearing. Direct connection of the speaker/headphone output of an external device without any attenuator may distort sound or damage the connected external device.

Observe the following cautions when installing.

- ❑ **Refer wiring and installation to qualified service personnel.**
Installation of this unit requires special skills and experience. For maximum safety, have it installed by your dealer. Panasonic is not liable for any problems resulting from your own installation of the unit.
- ❑ **Follow the instructions to install and wire the product.**
Not following the instructions to properly install and wire the product could cause an accident or fire.
- ❑ **Take care not to damage the leads.**
When wiring, take care not to damage the leads. Prevent them from getting caught in the vehicle chassis, screws, and moving parts such as seat rails. Do not scratch, pull, bend or twist the leads. Do not run them near heat sources or place heavy objects on them. If leads must be run over sharp metal edges, protect the leads by winding them with vinyl tape or similar protection.
- ❑ **Use the designated parts and tools for installation.**
Use the supplied or designated parts and appropriate tools to install the product. The use of parts other than those supplied or designated may result in internal damage to the unit. Faulty installation may lead to an accident, a malfunction or fire.
- ❑ **Do not block the air vent or the cooling plate of the unit.**
Blocking these parts will cause the interior of the unit to overheat and will result in fire or other damage.

- ❑ **Do not install the product where it is exposed to strong vibrations or is unstable.**
Avoid slanted or strongly curved surfaces for installation. If the installation is not stable, the unit may fall down while driving and this can lead to an accident or injury.
- ❑ **Installation Angle**
The product should be installed in a horizontal position with the front end up at a convenient angle, but not more than 30°. The user should bear in mind that in some areas there may be restrictions on how and where this unit must be installed. Consult your dealer for further details.
- ❑ **Wear gloves for safety. Make sure that wiring is completed before installation.**
- ❑ **To prevent damage to the unit, do not connect the power connector until the whole wiring is completed.**
- ❑ **Do not connect more than one speaker to one set of speaker leads. (except for connecting to a tweeter)**

Observe the following cautions when handling the battery for the remote control unit.

- Use only specified battery (CR2025).
- Match the polarity of the battery with the (+) and (-) marks in the battery case.
- Replace a dead battery as soon as possible.
- Remove the battery from the remote control unit when not using it for an extended period of time.
- Insulate the battery (by placing them in a plastic bag or covering them with vinyl tape) before disposal or storage.
- Dispose of the battery according to the local regulations.
- Do not disassemble, recharge, heat or short the battery. Do not throw a battery into a fire or water.

In case of battery leakage

- Thoroughly wipe the battery liquid off the battery case and insert new battery.
- If any part of your body or clothing comes into contact with battery liquid, wash it with plenty of water.
- If battery liquid comes into contact with your eyes, wash them with plenty of water and get immediate medical attention.

Observe the following cautions when using USB device.

- Do not connect a USB device directly to this unit. If the USB device is connected directly to this unit and an accident occurs, or if the brakes are applied suddenly, the driver or passenger may bump into the USB device and may get injured.
- Position the USB device and USB extension cable so that they do not obstruct your driving.
- Do not connect any USB device other than USB memory or a USB audio player. Do not connect multiple USB devices to the USB connector. Drawing power for multiple USB devices from the connector could cause overheating and smoking.

Notes on Discs

How to hold the disc

- Do not touch the underside of the disc.
- Do not scratch the disc.
- Do not bend disc.
- When not in use, keep disc in the case.



Unusable discs

Do not use discs that fit any of the descriptions given below. Using these discs may damage the discs or cause the unit to malfunction.

- Special discs in a shape which is not round



- Partly or wholly transparent disc



Wholly transparent disc*

Partly transparent disc

*Wholly semi-transparent disc may not be played back.

- Discs with adhered labels, etc. on them



Disc with adhered stickers or tape

Labels created by a printer or tape



Protective films or sheets

Disc accessories (stabilizers, etc.)

- Damaged or deformed discs



Shoddily made discs

Discs with cracks, scratches or parts missing



Discs with burrs

Please remove the burrs before use.

Disc insert

The surfaces of new discs tend to be slippery. Therefore, when using such a disc for the first time, it may not load satisfactorily even when it has been inserted into the unit. At a time like this, insert the disc into the unit as far as it will go until it is loaded properly.

- **When inserting a disc into or ejecting and removing it from the unit, insert it straight in or eject and remove it straight out in parallel with the unit. Otherwise, the disc may be scratched or marked in the process.**
- **When inserting a disc, do not put one disc on another. Failure to observe this may cause the discs to be jammed.**

Do not leave discs in the following places:

- Direct sunlight
- Near heaters
- Dirty, dusty and damp areas
- On seats and dashboards

Disc cleaning

Use a dry, soft cloth to wipe from the center outward. Do not attach any seals or labels to your discs. Do not write on the disc label in a heavy pen or ballpoint pen.



<Correct>



<Wrong>

Notes on CD-Rs/RWs

- You may have trouble playing back some CD-R/RW discs recorded on CD recorders (CD-R/RW drives), either due to their recording characteristics or dirt, fingerprints, scratches, etc. on the disc surface.
- CD-R/RW discs are less resistant to high temperatures and high humidity than ordinary music CDs. Leaving them inside a vehicle for extended periods may damage and make playback impossible.
- The unit may not successfully playback a CD-R/RW that was made by the combination of writing software, a CD recorder (CD-R/RW drives) and a disc if they are incompatible with one another.
- This player does not play CD-R/RW discs if the session is not closed.
- Be sure to observe the handling instructions of CD-R/RW discs.
- This player does not play CD-R/RW discs which contain other than CD-DA or MP3/WMA data.

Caution

**THIS PRODUCT IS A CLASS I LASER PRODUCT.
USE OF CONTROLS OR ADJUSTMENTS OR PERFORMANCE OF PROCEDURES OTHER THAN THOSE SPECIFIED HEREIN
MAY RESULT IN HAZARDOUS RADIATION EXPOSURE.
DO NOT OPEN COVERS AND DO NOT REPAIR BY YOURSELF. REFER SERVICING TO QUALIFIED PERSONNEL.**

Notes on MP3/WMA

Both of MP3 (MPEG Audio Layer-3) and WMA (Windows Media™ Audio) is a format for compressed audio file. These formats allow users to save all the files contained in approximately 10 pieces of existing CDs on one piece of CD-R/RW.

Note: Each of encoding software is not included with this unit.

*MPEG Layer-3 audio coding technology licensed from Fraunhofer IIS and Thomson.

Cautions as to compressed audio files

Common

- High bit rate and high sampling frequency are recommended for high quality sounds.
- Selecting VBR (Variable Bit Rate) is not recommended because playing time is not displayed properly and sound may be skipped.
- The playback sound quality differs depending on the encoding circumstances. For details, refer to the user manual of your own encoding software and writing software.
- Be sure to put an extension compatible with the format.

MP3

- It is recommended to set the bit rate to "128 kbps or more" and "fixed".

WMA

- It is recommended to set the bit rate to "64 kbps or more" and "fixed".
- Do not set the copy protect attribute on the WMA file to enable this unit to play back.

Compression formats

Compression method	Bit rate	VBR	Sampling frequency
MPEG 1 audio layer 3 (MP3)	32 k – 320 kbps	Yes	32, 44.1, 48 kHz
MPEG 2 audio layer 3 (MP3)	8 k – 160 kbps	Yes	16, 22.05, 24 kHz
MPEG 2.5 audio layer 3 (MP3)	8 k – 160 kbps	Yes	8, 11.025, 12 kHz
Windows Media Audio Ver. 2, 7, 8, 9*	64 k – 160 kbps	Yes	32, 44.1, 48 kHz

* WMA 9 Professional/LossLess/Voice are not supported.

Caution

Never put an extension indicating compressed audio (such as ".mp3" and ".wma") to files other than compressed audio files. This may not only produce noise from the speaker damage, but also damage your hearing.

Cautions as to the display of this unit

Display Information

- **CD-TEXT**
Disc title
Track title
- **MP3 (ID3 tag)**
Album name,
Title name/artist name
- **MP3/WMA**
Folder name,
File name
- **WMA (WMA tag)**
Album name,
Title name/artist name

Displayable characters

- Displayable length of file name/folder name: within 64 characters. (Unicoded file and folder names are reduced by half in the number of displayable characters.)
- Name files and folders in accordance with the standard of each file system. Refer to the instructions of writing software for details.
- ASCII character set and special characters in each language can be displayed.

ASCII character set

A to Z, digits 0 to 9, and the following symbols:
(space) ! " # \$ % & ' () * + , - . / : ; < = > ? @ [\] ^ _ ` { | } ~

Notes:

- Characters may be garbled depending on encoding software to be used.
- Undisplayable characters and symbols will be converted into an asterisk (*).

Recording MP3/WMA Files on a CD-Media/USB-Device

Compressed audio file writing

- Do not save an audio file (CD-DA file) and a compressed audio file on the same disc. Failure to observe this may result in difficulty in playing.
- If compressed audio files formatted with two or more types are saved on the same disc, each format shall have a different folder.
- Do not write files other than compressed audio files.
- Playability may depend on the combination of writing software and disc writer to be used.
- This unit does not support the play list function.
- Write files in a disc-at-once manner unless otherwise needed.
- You can shorten the duration between data read and playback by decreasing the quantity of files or folders, or the depth of the hierarchy.

Supported file systems

CD-media

ISO 9660 Level 1/Level 2, Apple Extension to ISO 9660, Joliet, Romeo

Note: Apple HFS, UDF 1.50, Mix CD and CD Extra are not supported.

USB-device

File system is FAT12/16/32.

Maximum number of files/folders

- Maximum depth of trees: 8
- Maximum number of files
CD-media: 512
USB device: 65 535
- Maximum number of files in one folder
CD-media: 512
USB device: 999
- Maximum number of folders:
CD-media: 128 (Root folder is included.)
USB device: 256 (Root folder is included.)

Notes:

- You can shorten the duration between data read and playback by decreasing the quantity of files or folders, or the depth of the hierarchy.
- This unit counts the number of folders irrespective of the presence or absence of an MP3/WMA file.
- If the selected folder does not contain any MP3/WMA files, the nearest MP3/WMA files in the order of playback will be played.

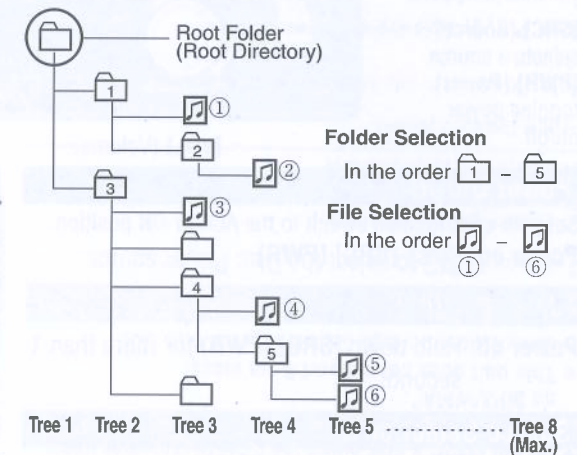
Copyright

It is prohibited by copyright laws to copy, distribute and deliver copyrighted materials such as music without the approval of copyright holder except enjoying yourself personally.

- Playback order may be different from other MP3/WMA players even if the same disc is used.
- "ROOT" appears when displaying the root folder name.
- Empty folders stored on the USB memory are not included in the folder count.
- Depending on the connected USB memory, the order in which the files are played back may differ to the order in which the files were stored.

Folder selection order/file playback order

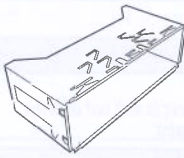
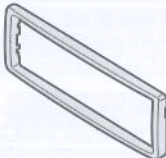
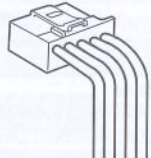

CD-media/USB-device

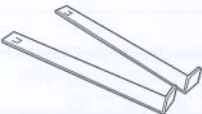

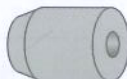

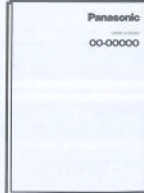


No warranty

Above description complies with our investigations as of January 2011. It has no warranty for reproducibility and displayability of MP3/WMA.

Accessories

			
Mounting Collar	Trim Plate	Power Connector	Remote Control Unit (a battery included)
Q'ty: 1	Q'ty: 1	Q'ty: 1	Q'ty: 1
(FX0214C384ZB)	(YFC054C079YA)	(YGAJ021012)	(YFX994C186CA)

				
Lock Cancel Plate	Mounting Bolt (5 mm ø)	Rubber Bushing	Operating Instructions	Installation Instructions
Installation kit			Instruction kit	
Q'ty: 1 set			Q'ty: 1	Q'ty: 1
(ZZBISC1101U-J)			(YFM264C252CB)	(YFM294C182CA)

- Notes:**
- The number in parentheses underneath each accessory part name is the part number for maintenance and service.
 - Accessories and their part numbers are subject to modification without prior notice due to improvements.
 - Mounting Collar and Trim Plate are mounted on the main unit at shipment.

Request for use of the Removable Face Plate Case

- To avoid trouble and ensure safety, use the optional Removable Face Plate Case (YFC054C061ZB).



Panasonic Corporation

Web Site: <http://panasonic.net>

YFM264C252CB PTW0211-2031 Printed in China

Before Reading These Instructions

Panasonic welcomes you to our constantly growing family of electronic products owners. We endeavor to give you the advantages of precise electronic and mechanical engineering, manufactured with carefully selected components, and assembled by people who are proud of the reputation their work has built for our company. We know this product will bring you many hours of enjoyment, and after you discover the quality, value and reliability we have built into it, you too will be proud to be a member of our family.

Features

File search function

A file in a USB device can be searched for as if folders in a PC are opened in order.

Front AUX terminal

Your mobile audio player and other devices are connectable to this unit without any difficulty.

Sound control

SQ (Sound Quality)
You have 6 preset modes (FLAT, ROCK, POP, VOCAL, JAZZ, CLUB). You can customize your setting for these (except FLAT) and save them for instant recall.

SQ3 (3-Band Sound Quality)

Center frequency and level are adjustable in each of 3 bands. This lets you fine-tune sound quality for each genre to suit car-interior acoustics and your personal preferences. (→ "Audio Settings")

USB connector

The USB connector is equipped on the front panel. By connecting a USB memory (not included) to the USB connector via a USB extension cable (USB 2.0, not included), you can enjoy MP3/WMA files stored on the USB memory (not included) in your vehicle. By connecting for iPod® devices/iPhone® models to USB connector via a USB extension cable for iPod devices and iPhone models (USB 2.0, not included), you can enjoy music files stored on the compatible with iPod devices and iPhone models in your vehicle. Further information about the compatible with iPod devices and iPhone models is described on back side of this sheet.

*iPhone, iPod, iPod classic, iPod nano, iPod shuffle, and iPod touch are trademarks of Apple Inc., registered in the U.S. and other countries. iPad is a trademark of Apple Inc.

"Made for iPod" and "Made for iPhone" mean that an electronic accessory has been designed to connect specifically to iPod or iPhone and has been certified by the developer to meet Apple performance standards. Apple is not responsible for the operation of this device or its compliance with safety and regulatory standards. Please note that the use of this accessory with iPod or iPhone may affect wireless performance.

Connectable devices

Compatible USB devices

- **USB Mass Storage Class**
For details as to whether your USB memory/USB Audio is compatible with USB Mass Storage Class, please contact the USB memory/USB Audio manufacturer.
- **USB Standard Compatibility 1.1/2.0 Full Speed**
- **File System FAT12/16/32**
- **Maximum current less than 1 A**
- **Capacity less than 4 GB (1 partition) is recommended.**

Compatible with iPod devices/software version (USB connector)

This unit is capable of controlling and playing music for iPod. (video playback is not feasible)

Made for.

- iPod touch (4th generation)/ver. 4.2.1
- iPod touch (3rd generation)/ver. 4.2.1
- iPod touch (2nd generation)/ver. 4.2.1
- iPod touch (1st generation)/ver. 3.1.3
- iPod classic (160 GB only)/ver. 2.0.4
- iPod classic (120 GB only)/ver. 2.0.1
- iPod classic/ver. 1.1.2
- iPod with video/ver. 1.3
- iPod nano (6th generation)/ver. 1.0
- iPod nano (5th generation)/ver. 1.0.2
- iPod nano (4th generation)/ver. 1.0.4
- iPod nano (3rd generation)/ver. 1.1.3
- iPod nano (2nd generation)/ver. 1.1.3
- iPod nano (1st generation)/ver. 1.3.1

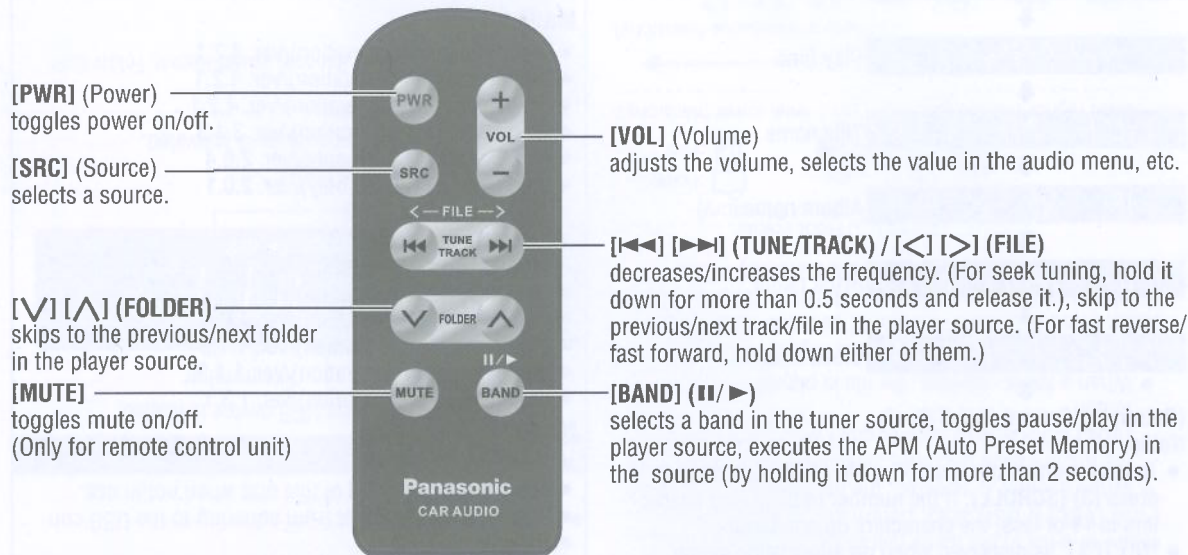
Made for.

- iPhone 4/ver. 4.2.1
- iPhone 3GS/ver. 4.2.1
- iPhone 3G/ver. 4.2.1
- iPhone/ver. 3.1.3

* Operation check has been completed with software available at the end of January, 2011. We do not guarantee the operation with our future products or upgraded software.

Remote Control Unit

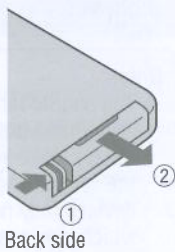
- Notes:**
- This instruction manual explains operations for use with the buttons on the main unit. (Different operations excluded)
 - When using the remote control unit, aim the remote control unit at the remote sensor and operate it.



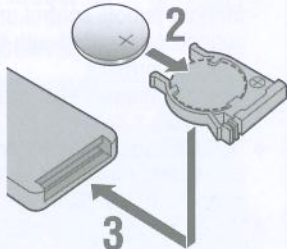
Battery replacement

- 1 Remove the battery holder from the remote control unit placed on a flat surface.

- 1 Stick your thumbnail into the groove, and push the holder in the direction of the arrow.
- 2 Pull it out in the direction of the arrow using your thumbnail and another finger.



- 2 Insert a battery in the case with (+) side facing up.



- 3 Put the case back.

Warning

Keep batteries and insulation film out of reach of infants. Batteries and insulation film can be ingested, so keep them out of the reach of infants. If an infant ingests a battery or insulation film, please seek immediate medical attention.

Caution

- Remove and dispose of the discharged battery immediately.
- Do not disassemble, heat or short a battery. Do not throw a battery into a fire or water.
- Follow local regulations when disposing of a battery.
- Improper use of batteries may cause overheating, an explosion or ignition, resulting in injury or a fire.

Notes: Battery Information:
 Battery Type: Lithium battery (CR2025) (Included in the remote control unit)
 Battery Life: Approximately 6 months under normal use (at room temperature)

Preparation

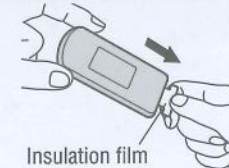
First Time Power On

- 1 Set your car's ignition switch to the ACC or ON position.
- 2 Press **[SRC]** (PWR: Power).



Battery Installation

Pull the insulation film out from the backside of the remote control unit gently.



Note: Battery Information:
 Battery Type: Lithium battery (CR2025) (Included in the remote control unit)
 Battery Life: Approximately 6 months under normal use (at room temperature)

Clock Setting

- 1 Press **[DISP]** (Display).
 CLK ADJUST (clock display)
- 2 Hold down **[DISP]** for more than 2 seconds.
 FM 0:00 Hour blinks.
- 3 Adjust the hour.
 FM 10:00 Hour entered
 [▶▶]: sets the hour ahead.
 [◀◀]: sets the hour back.
- 4 Press **[DISP]**.
 FM 10:00 Minute blinks.
- 5 Adjust the minute.
 FM 10:15 Minute entered
 [▶▶]: sets the minute ahead.
 [◀◀]: sets the minute back.
- 6 Press **[DISP]**.
 FM 10:15 Completed

Notes:

- "CLK ADJUST" is displayed before adjusting the clock.
- Hold down [◀◀] or [▶▶] to change numbers rapidly.
- When "NO DISC" or "NO USB" is displayed, the clock cannot be adjusted.
- When you want to readjust the clock, repeat steps 2 to 6.

Clock Display at Power Off

Press **[DISP]** to change the display.

Display off

8:15 Clock display (Default)

Clock Display Setting

- 1 Hold down **[VOL]** (PUSH SEL: Select) for more than 2 seconds to open the clock display setting display.

CLK SET

Note: If no operation takes place for more than 5 seconds in the clock display setting, the display returns to the regular mode.

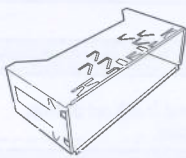
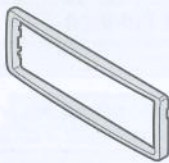
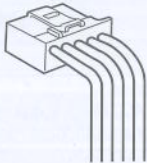

- 2 Turn **[VOL]** clockwise or counterclockwise to adjust.






CLK 24HR the 24-hour system used (default)

CLK 12HR the 12-hour system used

Note: Selection of the 12-hour system displays "AM" during AM hours and "PM" during PM hours.

Accessories

			
Mounting Collar	Trim Plate	Power Connector	Remote Control Unit (a battery included)
Q'ty: 1	Q'ty: 1	Q'ty: 1	Q'ty: 1
(FX0214C384ZB)	(YFC054C079YA)	(YGAJ021012)	(YFX994C186CA)

				
Lock Cancel Plate	Mounting Bolt (5 mm ø)	Rubber Bushing	Operating Instructions	Installation Instructions
Installation kit			Instruction kit	
Q'ty: 1 set			Q'ty: 1	Q'ty: 1
(ZZBISC1101U-J)			(YFM264C252CB)	(YFM294C182CA)

Notes:

- The number in parentheses underneath each accessory part name is the part number for maintenance and service.
- Accessories and their part numbers are subject to modification without prior notice due to improvements.
- Mounting Collar and Trim Plate are mounted on the main unit at shipment.

Request for use of the Removable Face Plate Case

- To avoid trouble and ensure safety, use the optional Removable Face Plate Case (YFC054C061ZB).



Panasonic Corporation

Web Site: <http://panasonic.net>

YFM264C252CB PTW0211-2031 Printed in China

Before Reading These Instructions

Panasonic welcomes you to our constantly growing family of electronic products owners.

We endeavor to give you the advantages of precise electronic and mechanical engineering, manufactured with carefully selected components, and assembled by people who are proud of the reputation their work has built for our company. We know this product will bring you many hours of enjoyment, and after you discover the quality, value and reliability we have built into it, you too will be proud to be a member of our family.

Features

File search function

A file in a USB device can be searched for as if folders in a PC are opened in order.

Front AUX terminal

Your mobile audio player and other devices are connectable to this unit without any difficulty.

Sound control

SQ (Sound Quality)

You have 6 preset modes (FLAT, ROCK, POP, VOCAL, JAZZ, CLUB). You can customize your setting for these (except FLAT) and save them for instant recall.

SQ3 (3-Band Sound Quality)

Center frequency and level are adjustable in each of 3 bands. This lets you fine-tune sound quality for each genre to suit car-interior acoustics and your personal preferences. (➔ "Audio Settings")

USB connector

The USB connector is equipped on the front panel.

By connecting a USB memory (not included) to the USB connector via a USB extension cable (USB 2.0, not included), you can enjoy MP3/WMA files stored on the USB memory (not included) in your vehicle.

By connecting for iPod® devices/iPhone® models to USB connector via a USB extension cable for iPod devices and iPhone models (USB 2.0, not included), you can enjoy music files stored on the compatible with iPod devices and iPhone models in your vehicle. Further information about the compatible with iPod devices and iPhone models is described on back side of this sheet.

*iPhone, iPod, iPod classic, iPod nano, iPod shuffle, and iPod touch are trademarks of Apple Inc., registered in the U.S. and other countries. iPad is a trademark of Apple Inc.

"Made for iPod" and "Made for iPhone" mean that an electronic accessory has been designed to connect specifically to iPod or iPhone and has been certified by the developer to meet Apple performance standards. Apple is not responsible for the operation of this device or its compliance with safety and regulatory standards. Please note that the use of this accessory with iPod or iPhone may affect wireless performance.

Connectable devices

Compatible USB devices

• USB Mass Storage Class

For details as to whether your USB memory/USB Audio is compatible with USB Mass Storage Class, please contact the USB memory/USB Audio manufacturer.

• USB Standard Compatibility 1.1/2.0 Full Speed

• File System FAT12/16/32

• Maximum current less than 1 A

• Capacity less than 4 GB (1 partition) is recommended.

Compatible with iPod devices/software version (USB connector)

This unit is capable of controlling and playing music for iPod. (video playback is not feasible)

Made for.

- iPod touch (4th generation)/ver. 4.2.1
- iPod touch (3rd generation)/ver. 4.2.1
- iPod touch (2nd generation)/ver. 4.2.1
- iPod touch (1st generation)/ver. 3.1.3
- iPod classic (160 GB only)/ver. 2.0.4
- iPod classic (120 GB only)/ver. 2.0.1
- iPod classic/ver. 1.1.2
- iPod with video/ver. 1.3
- iPod nano (6th generation)/ver. 1.0
- iPod nano (5th generation)/ver. 1.0.2
- iPod nano (4th generation)/ver. 1.0.4
- iPod nano (3rd generation)/ver. 1.1.3
- iPod nano (2nd generation)/ver. 1.1.3
- iPod nano (1st generation)/ver. 1.3.1

Made for.

- iPhone 4/ver. 4.2.1
- iPhone 3GS/ver. 4.2.1
- iPhone 3G/ver. 4.2.1
- iPhone/ver. 3.1.3

* Operation check has been completed with software available at the end of January, 2011. We do not guarantee the operation with our future products or upgraded software.

General

Caution

Set the volume level to low enough before the AUX connection is completed. Failure to observe this may generate loud noise and accordingly damage your speakers and your hearing.

AUX Connector (3.5 mm ø stereo)
From line output of external sound/audio device
(ex. Silicon audio player, HDD player, etc.)

Remote Control Sensor

[SRC] (Source) selects a source.
[PWR] (Power) toggles power on/off.



[VOL] (Volume)

Power On/Off

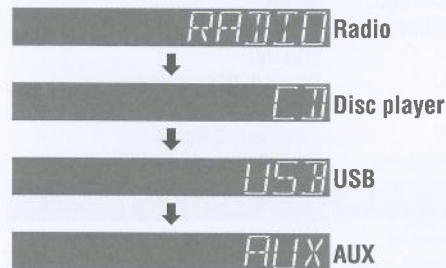
Set your car's ignition switch to the ACC or ON position.
Power on: Press **[SRC]** (**PWR**).

WELCOME

Power off: Hold down **[SRC]** (**PWR**) for more than 1 second.

Source Selection

Press **[SRC]** to change the source.



When a device connected to the front AUX terminal of this unit

(Return to "RADIO")

Volume Adjustment

(Setting Range: 0 to 40, Default: 18)
Turn **[VOL]** clockwise to increase the volume, and counterclockwise to decrease the volume.

VOL 18

Volume level (0 to 40) (default: 18)

Note: To mute the sound, set the volume level to 0 on the main unit or press **[MUTE]** on the remote control unit.

Radio (AM/FM)

Caution

To ensure safety, never attempt to preset stations while you are driving.

[◀▶] decreases/increases the frequency. (For seek tuning, hold it down for more than 0.5 seconds and release it.)

[SRC] (Source) selects a source.

[BAND] selects a band in the radio source.
(APM) (Auto Preset Memory) executes APM in the radio source (by holding it down for more than 2 seconds).

[DISP] (Display) switches the information on the display.

Preset buttons [1] through [6] select a preset station in the radio source, preset the current station (by holding it down for more than 2 seconds).



Operation Flow

1 Press **[SRC]** to select the radio source.

2 Press **[BAND]** to select a band.



3 Select a station.

Frequency Adjustment

[◀▶]: Lower

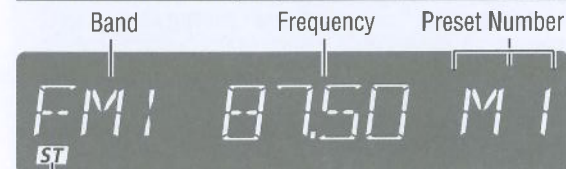
[▶▶]: Higher

Note: For station search, hold down either of the buttons for more than 0.5 seconds and release it.

Preset Station Selection

Press the corresponding preset button from **[1]** through **[6]** to tune in a preset station.

Radio Source Display



lights while receiving an FM stereo signal.

Display Change

Press **[DISP]** to change the display.

FM1 87.50 Radio mode display (Default)

FM1 18:15 Clock display

Station Preset

Up to 6 stations can be preset in each of AM, FM1, FM2, and FM3.

Preset stations can be simply called up by pressing **[1]** through **[6]**.

Auto Preset Memory (APM)

With this operation, stations with good receiving conditions can be automatically stored in the preset memory.

- 1 Select a band.
- 2 Hold down **[BAND]** (**APM**) for more than 2 seconds.

The preset stations under best receiving conditions are received for 5 seconds each after presetting the stations (SCAN). To stop scanning, press one of the buttons from **[1]** through **[6]**.

Note: New stations overwrite existing saved stations.

Manual Station Preset

- 1 Tune into a station.
- 2 Hold down one of the preset buttons from **[1]** through **[6]** for more than 2 seconds.

FM1 87.50 M1 (blinks once)

Note: New stations overwrite existing saved stations.

USB (MP3/WMA)

Notes for USB device

- This unit plays back MP3/WMA files stored on a USB memory.
- Back up any important data beforehand. We cannot accept responsibility for any lost data.
- Refer to the section on "Compatible USB devices" (➔ below).
- Refer to the section on "Notes on MP3/WMA".
- Connect your USB device to your car audio using a standard USB extension cable. Use of a 2 m or shorter USB 2.0 cable is recommended.

Caution for USB Device

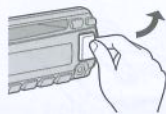
- Do not connect a USB device directly to this unit. If the USB device is connected directly to this unit and an accident occurs, or if the brakes are applied suddenly, the driver or passenger may bump into the USB device and may get injured.
- Position the USB device and USB extension cable/optional adaptor so that they do not obstruct your driving.
- Do not connect any USB device other than a USB memory or a USB audio player. Do not connect multiple USB devices to the USB connector. Drawing power for multiple USB devices from the connector could cause overheating and smoking.

Compatible USB devices

- **USB Mass Storage Class**
This refers to a type of USB device, which when connected to a PC can be used as a storage device without the need for specialized drivers or software. For details as to whether your USB memory/USB Audio is compatible with USB Mass Storage Class, please contact the USB memory/USB Audio manufacturer.
 - **USB Standard Compatibility 1.1/2.0 Full Speed**
 - File system is FAT12/16/32
 - Maximum current less than 1 A
 - Capacity less than 4 GB (1 partition) is recommended.
- Notes:**
- The use of USB devices that contain data files other than MP3/WMA stored is not recommended.
 - Playback or display may not be possible depending on the type of the USB device or the condition of the recording.
 - Even if PC playback is possible, it may not be possible on this product, because some USB devices are not compliant with the USB standard.
 - Even with a USB device in the Mass Storage Class, playback may not be possible in some cases.

Operation Flow

- 1 Press **[SRC]** to select the USB mode.
- 2 Open the USB connector cover.

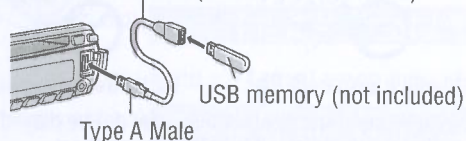


- 3 Using a USB extension cable, connect the USB memory to this unit.

Notes:

- When connecting (disconnecting) the USB memory, turn down the volume of the unit.
- When connecting the cables, make sure the connector is pushed all the way into the socket.
- This unit may not operate correctly, depending on USB cable's quality and length. Use of a 2 m or shorter USB 2.0 cable is recommended.

USB extension cable (USB 2.0, not included)



Note: MP3/WMA files recognized by the unit are played back automatically.

- 4 Select a desired portion.

Folder Selection

[^] (FOLDER): Next folder

[v] (FOLDER): Preceding folder

File Selection

[>>>]: Next file

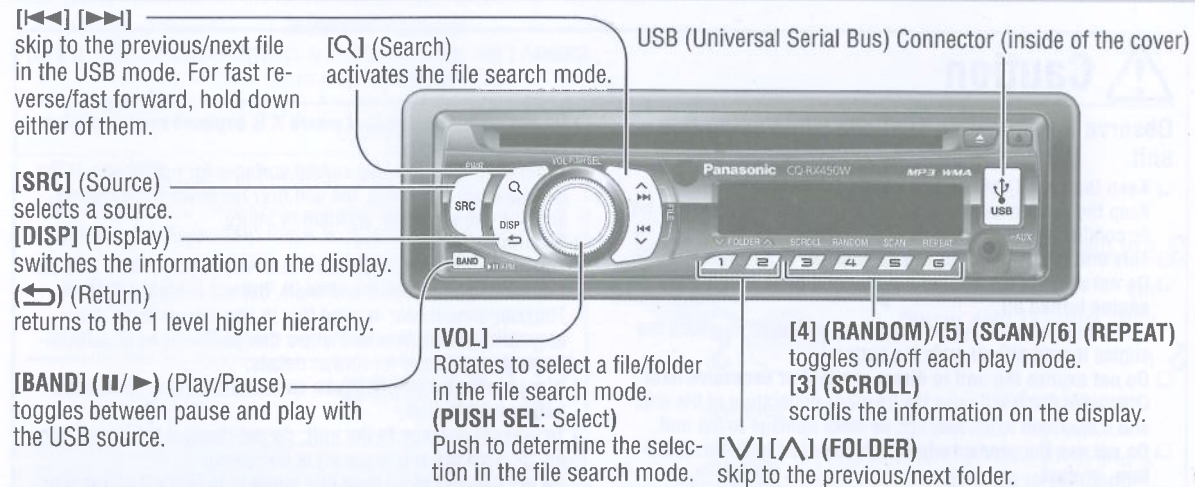
[<<<]: Preceding file (press twice)

Note: For fast forward/reverse, hold down either of them.

Pause

Press **[BAND] (||/▶)**.

Press again to cancel.



File search

- 1 Press **[Q]** to activate the file search mode.

ROOT (root folder displayed)

Press again to exit from the file search mode.

- 2 Select a file for play.

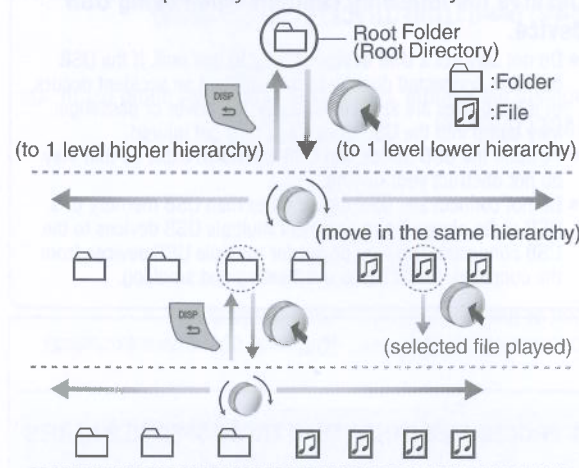
Turn **[VOL]** clockwise or counterclockwise: Selects a folder or a file in the same hierarchy.

Push **[VOL] (PUSH SEL)**: Determines the selection.

- When a folder is selected, the folder is opened and a file/folder inside becomes selectable. Proceed to turn **[VOL]** clockwise or counterclockwise to select a file/folder.
- When a file is selected, the file is played.

Press **[↶]**: Returns to the 1 level higher hierarchy.

Note: Press **[Q]** for more than 2 seconds to active the quick return function, selection returns to the 1st file or 1st folder respectively within same hierarchy.



USB Disconnect

Disconnect the USB memory and USB extension cable.

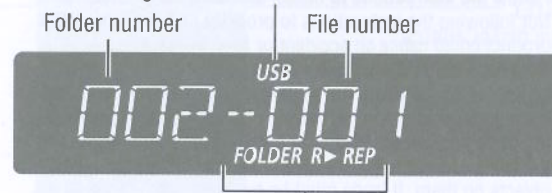
NO USB

Notes:

- Do not leave the USB device for long periods of time in places inside the car where temperature becomes excessively high
- To prevent dirt and dust from adhering to the USB connector, close the cover of this unit when not in use.

USB Mode Display

Lights when the USB device is loaded.



Play Mode indicators

Lights when each mode is activated.

R> Random play

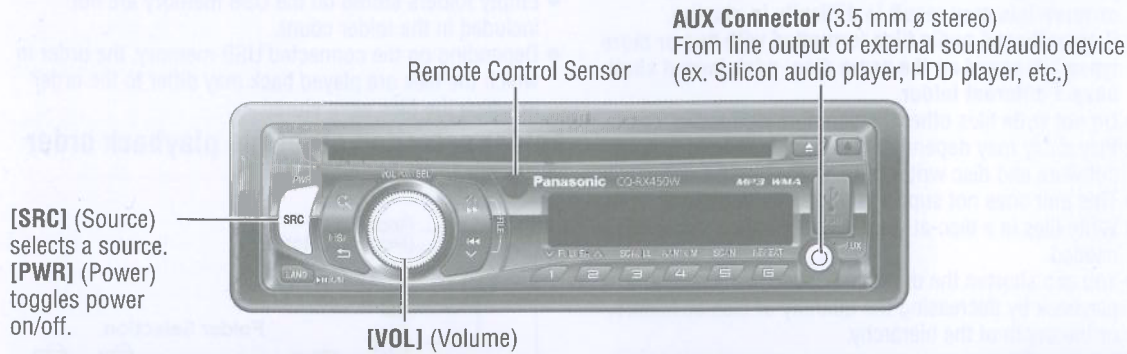
REP Repeat play

FOLDER Folder Random, Folder Repeat, Folder Scan

General

Caution

Set the volume level to low enough before the AUX connection is completed. Failure to observe this may generate loud noise and accordingly damage your speakers and your hearing.



Power On/Off

Set your car's ignition switch to the ACC or ON position.

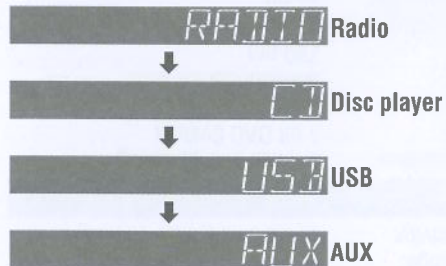
Power on: Press **[SRC] (PWR)**.

WELCOME ♪

Power off: Hold down **[SRC] (PWR)** for more than 1 second.

Source Selection

Press **[SRC]** to change the source.



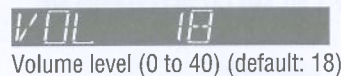
When a device connected to the front AUX terminal of this unit

(Return to "RADIO")

Volume Adjustment

(Setting Range: 0 to 40, Default: 18)

Turn **[VOL]** clockwise to increase the volume, and counterclockwise to decrease the volume.



Note: To mute the sound, set the volume level to 0 on the main unit or press **[MUTE]** on the remote control unit.

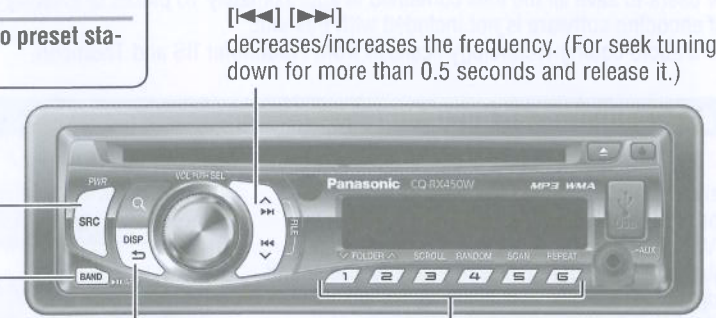
Radio (AM/FM)

Caution

To ensure safety, never attempt to preset stations while you are driving.

[SRC] (Source) selects a source.

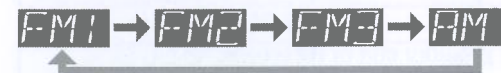
[BAND] selects a band in the radio source. **(APM) (Auto Preset Memory)** executes APM in the radio source (by holding it down for more than 2 seconds).



Operation Flow

1 Press **[SRC]** to select the radio source.

2 Press **[BAND]** to select a band.



3 Select a station.

Frequency Adjustment

[<<<]: Lower

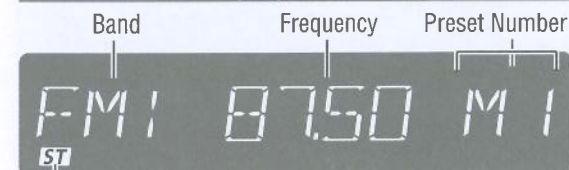
[>>>]: Higher

Note: For station search, hold down either of the buttons for more than 0.5 seconds and release it.

Preset Station Selection

Press the corresponding preset button from **[1]** through **[6]** to tune in a preset station.

Radio Source Display



lights while receiving an FM stereo signal.

Display Change

Press **[DISP]** to change the display.



Station Preset

Up to 6 stations can be preset in each of AM, FM1, FM2, and FM3.

Preset stations can be simply called up by pressing **[1]** through **[6]**.

Auto Preset Memory (APM)

With this operation, stations with good receiving conditions can be automatically stored in the preset memory.

1 Select a band.

2 Hold down **[BAND] (APM)** for more than 2 seconds.

The preset stations under best receiving conditions are received for 5 seconds each after presetting the stations (SCAN). To stop scanning, press one of the buttons from **[1]** through **[6]**.

Note: New stations overwrite existing saved stations.

Manual Station Preset

1 Tune into a station.

2 Hold down one of the preset buttons from **[1]** through **[6]** for more than 2 seconds.

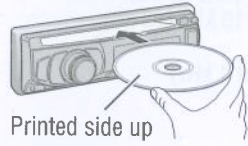


Note: New stations overwrite existing saved stations.

Disc Player

Notes:

- The power will be turned on automatically when a disc is loaded.
- A disc which has both CD-DA data and MP3/WMA data on it may not be reproduced normally.



Disc slot

takes a disc in with the printed side facing up.

[V] [^] (FOLDER)

skip to the previous/next folder.

[▲] (Eject)

ejects the disc.

[SRC] (Source) selects a source.

[DISP] (Display) switches the information on the display.

[BAND] (II/▶) (Play/Pause) toggles between pause and play with the player source.

[◀◀] [▶▶]

skip to the previous/next track/file in the player mode. For fast reverse/fast forward, hold down either of them.

Notes:

- Do not insert a disc when the **DISC** indicator lights.
- Refer to the sections of "Notes on Discs" and "Notes on MP3/WMA".
- This unit does not support 8 cm discs.
- Do not insert foreign objects into the disc slot.

Operation Flow

- 1 Press [SRC] to select the Disc Player source.
- 2 Select a desired portion.

Track/File Selection

Press [◀◀] / [▶▶].

Note: To perform fast forward/reverse, hold down either of them.

Disc Player (CD-DA disc):

Previous/next track

Disc Player (MP3/WMA disc):

Previous/next file

Folder Selection (MP3/WMA)

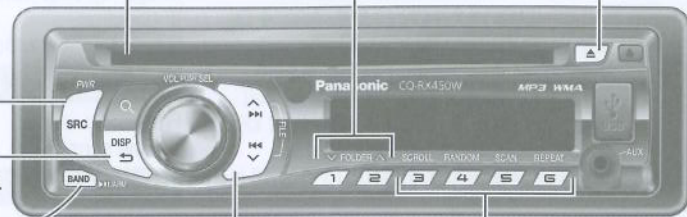
[^] (FOLDER): Next folder

[V] (FOLDER): Preceding folder

Pause

Press [BAND] (II/▶).

Press again to cancel.



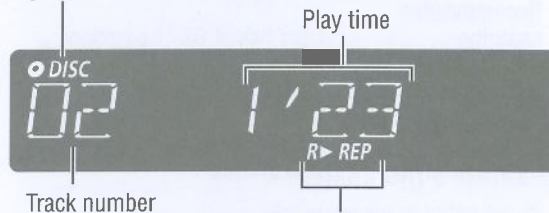
[4] (RANDOM)/[5] (SCAN)/[6] (REPEAT) toggles on/off each play mode.

[3] (SCROLL) scrolls the information on the display.

Player Source Display

CD-DA Mode Display

Lights when a disc is loaded.



Track number

Play time

Play Mode indicators

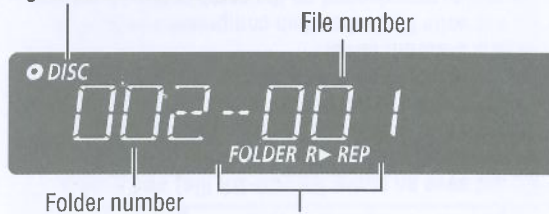
Lights when each mode is activated.

R▶ Random play

REP Repeat play

MP3/WMA Mode Display

Lights when a disc is loaded.



Folder number

File number

Play Mode indicators

Lights when each mode is activated.

R▶ Random play

REP Repeat play

FOLDER Folder Random, Folder Repeat, Folder Scan

Display Change

Press [DISP].

Disc Player (CD-DA disc):

02 1:23 Track/Play time

THE BEST OF Disc title

LOVE ME FOR Track title

CD 8:15 Clock time

(Return to "Track/Play time")

Disc Player (MP3/WMA disc):

002-001 Folder/File

2:35 Play time

THE BEST OF Folder name/ Album*

LOVE ME FOR File name/Title, artist*

MP3 8:15 Clock time

(Return to "Folder/File")

*ID3/WMA Tag Setting

Hold down [3] (SCROLL) for more than 2 seconds.

TAG ON
TAG OFF (Default)

When a folder name is displayed:

TAG ON: The album title is displayed.

TAG OFF: The folder name is displayed.

When a file name is displayed:

TAG ON: The title/artist name is displayed.

TAG OFF: The file name is displayed.

Notes:

- To have another circle scroll while a text is displayed, press [3] (SCROLL). If the number of displayed characters is 11 or less, the characters do not scroll.
- "NO TEXT" is displayed when no information exists on the disc.
- ID3/WMA tag information is displayed for the album name and title/artist name.

Random, Scan, Repeat Play

Random Play Setting

Press [4] (RANDOM) to select the random play setting.

RAND ON Random play

All the available songs (tracks/files) are played in a random sequence. (R lights.)

F-RAND ON Folder random play

(only for MP3/WMA)

All the available files in the current folder are played in a random sequence. (FOLDER R lights.)

RAND OFF Random off

Return to regular play.

Scan Play Setting

Press [5] (SCAN) to select the scan play setting.

SCAN ON Scan play

The first 10 seconds of each song (each track/file) is played in sequence.

F-SCAN ON Folder scan play

(only for MP3/WMA)

From the next folder, the first 10 seconds of the first file in each folder is played in sequence. (FOLDER lights.)

SCAN OFF Scan off

Return to regular play.

Repeat Play Setting

Press [6] (REPEAT) to select the repeat play setting.

REP ON Repeat play

The current song (track/file) is repeated. (REP lights.)

F-REP ON Folder repeat play

(only for MP3/WMA)

The current folder is repeated. (FOLDER REP lights.)

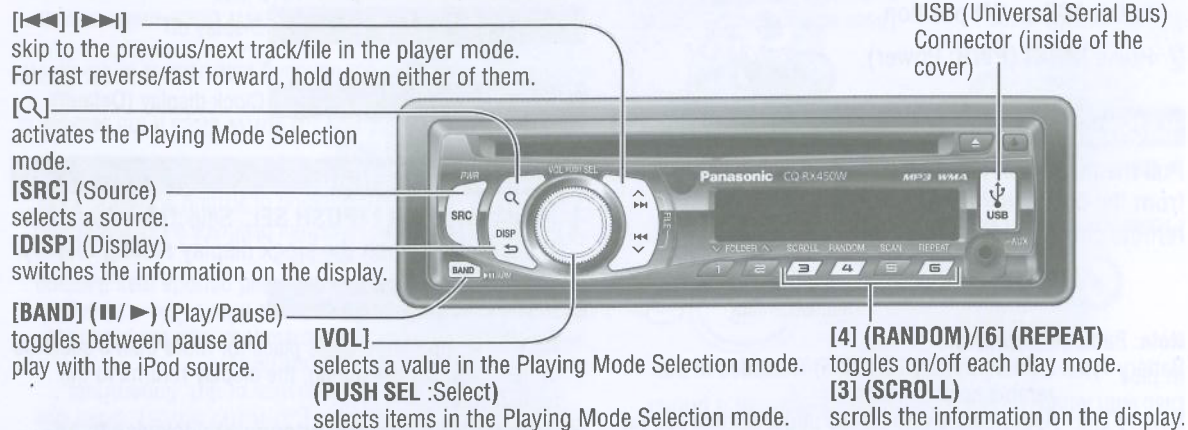
REP OFF Repeat off

Return to regular play.

For use with iPod

By connecting compatible with iPod devices to USB connector via a USB extension cable for iPod (USB 2.0, not included), you can enjoy music files stored on the compatible with iPod devices in your vehicle.

Note: Refer to the section on "USB (MP3/WMA)" for connection.



Operation Flow

- 1 Connect a iPod.
- 2 Press **[SRC]** to select the iPod (USB) mode. Playback starts.

Note: If playback does not start, press **[BAND]** (III/▶).

File Selection

- [▶▶]**: Next file
- [◀◀]**: Beginning of the current file

For the preceding file, press twice.

Notes:

- Hold down for fast forward/reverse.
- When fast forward comes to the end of a file or fast reverse comes to the beginning of a file, regular playback starts even if the fast forward or reverse button is pressed.

Pause

- Press **[BAND]** (III/▶).
- Press again to cancel.

Playing Mode Selection

- 1 Press **[Q]** to activate the Playing Mode Selection mode.
- 2 Turn **[VOL]** clockwise or counterclockwise to adjust.

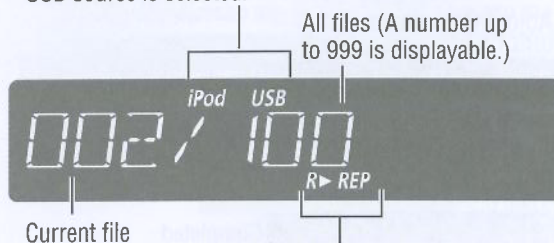
- PLAYLIST:** Playback by playlist (Default)
- ARTIST:** Playback by artist
- ALBUM:** Playback by album
- GENRE:** Playback by genre

- 3 Press **[VOL]** (**PUSH SEL**) to determine the selection.
- 4 Turn **[VOL]** clockwise or counterclockwise to select a portion to be played.
- 5 Press **[VOL]** (**PUSH SEL**) to determine the selection.

- Note:** To select a playing mode in step 2, press **[Q]**.
- Notes:**
- To return to the previous screen, press **[DISP]**.
 - Files without an album name or an artist name are not playable in the playing mode of the album or artist display respectively.

iPod Mode Display

lights when a USB extension cable for iPod and iPod devices is connected with USB connector and the USB source is selected.



Play Mode indicators

- Lights when each mode is activated.
- REP** Repeat play
- R▶** Shuffle play (songs)
- R▶** Shuffle play (albums)

Display Change

- Press **[DISP]**.
- 002/100** Current file/all files (Default)
 - 2'35** Play time
 - LOVE ME FOR** Title name
 - THE BEST OF** Album name
 - THE BIG ART** Artist name
 - IPOD 8:15** Clock time

(Return to "Current file/all files")

Notes:

- To have another circle scroll while a text is displayed, press **[3] (SCROLL)**. If the number of displayed characters is 11 or less, the characters do not scroll.
- "NO TEXT" is displayed when no information exists.

Repeat, Shuffle Play

One Song Repeat Play Setting

Press **[6] (REPEAT)** to select the repeat play setting.

- REP ON** One song repeat play
- The current file is repeated. (**REP** lights.)

- REP OFF** One song repeat play off

Note: The "Repeat All Songs" function of an iPod is always activated and cannot be canceled from this unit.

Shuffle Play Setting

The shuffle function of an iPod corresponds to the RANDOM function of this unit.

Press **[4] (RANDOM)** to select the shuffle play setting.

- RAND ON** Songs
- All the available files are played in a random sequence. (**R▶** lights.)

- A-RAND ON** Albums
- All the playable albums are played in a random sequence. (**R▶** blinks.)

- RAND OFF** Shuffle off
- Return to regular play.

Compatible with iPod devices/software version (USB connector)

This unit is capable of controlling and playing music for iPod. (video playback is not feasible)

Made for.

- iPod touch (4th generation)/ver. 4.2.1
- iPod touch (3rd generation)/ver. 4.2.1
- iPod touch (2nd generation)/ver. 4.2.1
- iPod touch (1st generation)/ver. 3.1.3
- iPod classic (160 GB only)/ver. 2.0.4
- iPod classic (120 GB only)/ver. 2.0.1
- iPod classic/ver. 1.1.2
- iPod with video/ver. 1.3
- iPod nano (6th generation)/ver. 1.0
- iPod nano (5th generation)/ver. 1.0.2
- iPod nano (4th generation)/ver. 1.0.4
- iPod nano (3rd generation)/ver. 1.1.3
- iPod nano (2nd generation)/ver. 1.1.3
- iPod nano (1st generation)/ver. 1.3.1

Made for.

- iPhone 4/ver. 4.2.1
- iPhone 3GS/ver. 4.2.1
- iPhone 3G/ver. 4.2.1
- iPhone/ver. 3.1.3

* Operation check has been completed with software available at the end of January, 2011. We do not guarantee the operation with our future products or upgraded software.

Notes:

- The shuffle function for iPod corresponds to the RANDOM function of this unit.
- Please make sure to detach the iPod after turning off the vehicle engine (turning the ACC to OFF). The iPod devices may not shut down while still connected, which may result in battery depletion.
- Please do not connect for iPod accessories such as for iPod remote control unit or headphones while connecting for iPod with the unit. The unit may not operate correctly.
- Connect this unit after turning down the volume for the iPod.
- "PAUSE" appears until for iPod is recognized after connecting for iPod. This indicates there is nothing wrong with the main unit.
- We do not guarantee all the operations of connectable devices.
- The SCAN function of this unit is not feasible to operate for iPod. (Because of the SCAN function is not capable of iPod). This indicates there is nothing wrong with this unit.

Troubleshooting

If You Suspect Something Wrong

Check and take steps as described below.

If the described suggestions do not solve the problem, it is recommended to take the unit to your nearest authorized Panasonic Service Center. The product should be serviced only by qualified personnel. Please refer the checking and the repair to professionals.

Panasonic shall not be liable for any accidents arising out of neglect of checking the unit or your own repair after your checking.

Never take measures especially those other than indicated by *italic* letters in "Possible Solution" described below because those are too dangerous for users to handle themselves.



Warning

- Do not use the unit in an irregular condition, for example, without sound, or with smoke or a foul smell, which can cause ignition or electric shock. Immediately stop using the unit and consult your dealer.
- Never try to repair the unit by yourself because it is dangerous to do so.

Trouble	Possible Solution
Common	
No power	<ul style="list-style-type: none"> • <i>Start the engine. (Alternatively, turn the ignition switch to the ACC position.)</i> • Verify the wiring. (Battery lead, power lead, ground lead, etc.) • <i>Fuse blown (Consult your dealer or an authorized Panasonic Service Center.)</i> • <i>Ask a professional for fuse replacement.</i> • Be sure to use the same rated fuse.
No sound	<ul style="list-style-type: none"> • <i>Disable the mute function.</i> • Verify the wiring. • <i>Wait until the dew disappears before turning on the unit.</i>
Noise	<ul style="list-style-type: none"> • Make sure that grounding is established properly.
No sound from left, right, front, or rear speaker	<ul style="list-style-type: none"> • <i>Adjust the balance and fader.</i> • Verify the wiring.
Left and right sounds are reversed	<ul style="list-style-type: none"> • Connect the speaker lead correctly.
Disc Player	
No sound, or disc is automatically ejected	<ul style="list-style-type: none"> • <i>Load the disc correctly.</i> • <i>Clean the disc.</i>
Sound skip, poor sound quality	<ul style="list-style-type: none"> • <i>Clean the disc.</i>
Sound skip due to vibration	<ul style="list-style-type: none"> • The maximum permissible tilt angle is 30°. • Secure the unit.
Disc not ejectable	<ul style="list-style-type: none"> • <i>Press [▲]. If the disc is still not ejected, consult your dealer or an authorized Panasonic Service Center.</i>
Radio	
Frequent noise	<ul style="list-style-type: none"> • <i>Tune in to another station of high-intensity waves.</i> • Make sure that the antenna mounted point is grounded properly.
Preset data deleted	<ul style="list-style-type: none"> • <i>The preset memory is cleared to return to the original factory setting when the power connector or battery is disconnected.</i>
USB (MP3/WMA)	
Music is not played back even if a USB device is connected.	<ul style="list-style-type: none"> • <i>Connect the USB device and USB extension cable correctly.</i> • <i>Check if there is any music data that can be played stored on the USB device.</i> • <i>Use a USB device with a FAT12/16/32 file system.</i> • <i>Use a USB device with a current consumption lower than 1 A.</i>
"READING" is displayed but music is not played back.	<ul style="list-style-type: none"> • <i>Do not use a USB Hub.</i> • When the USB device contains a number of folders/files, a long time may be taken to read all the files.

Error Display Messages

Display	Possible Solution
Radio	
TUNER --E3--	No operation by some cause. <ul style="list-style-type: none"> • <i>Switch the power or ACC ON/OFF. If this does not solve the problem or the unit is still out of order, consult your dealer or an authorized Panasonic Service Center to ask for repairs.</i>
Disc Player	
CD --E1--	(The disc is ejected automatically.) The disc is dirty or upside down. <ul style="list-style-type: none"> • <i>Check the disc.</i>
CD --E2--	(The disc is ejected automatically.) The disc has scratches. <ul style="list-style-type: none"> • <i>Check the disc.</i>
CD --E3--	No operation by some cause <ul style="list-style-type: none"> • <i>If normal operation is not restored, consult your dealer or an authorized Panasonic Service Center to ask for repairs.</i>
CD --E4--	Cannot read the file <ul style="list-style-type: none"> • <i>Check the disc.</i>
CD --E5--	The WMA file can be copyrighted. <ul style="list-style-type: none"> • The file protected by copyright is not playable.
USB (MP3/WMA)	
NO USB	A USB device is not connected or the connected device cannot be recognized. <ul style="list-style-type: none"> • <i>Use a USB memory that is suitable for this unit.</i>
USB --E1--	No playable files exist. An unsupported USB device is connected. <ul style="list-style-type: none"> • <i>Use a USB memory that is suitable for this unit.</i> • <i>Record files that can be played back on this unit onto the USB memory.</i>
USB --E2--	A USB device that exceeds the current capacity that can be supplied is connected. For some reason, an over-current was detected. <ul style="list-style-type: none"> • <i>Use a USB memory that has a consumption current of less than 1 A.</i> • <i>Switch the Source, and select the USB (MP3/WMA) mode again.</i> • <i>Switch the power off/on, and select the USB (MP3/WMA) mode again.</i> • <i>Check that the USB connector section is not dirty, and that there is no foreign objects.</i>
USB --E3--	No operation by some cause <ul style="list-style-type: none"> • <i>Switch the power on or set ACC to ON. If this does not solve the problem, unplug the power cord and plug it in again (► Installation Instructions). In case the unit is still out of order, consult your dealer or an authorized Panasonic Service Center.</i>
USB --E4--	The player cannot read the file you are trying to play for some reason. (File recorded in an unsupported file system, compression scheme, data format, file name extension, damaged data, etc.) <ul style="list-style-type: none"> • <i>Confirm that the USB extension cable is firmly connected, and reconnect if not. Select a file that the player can read. Check the type of data stored in the USB memory. Format the USB memory if necessary.</i>
USB --E5--	The WMA file can be copyrighted. <ul style="list-style-type: none"> • The file protected by copyright is not playable.
(After 5 seconds) ➔ To next file automatically	
(After 5 seconds) ➔ To next file automatically	
For use with iPod	
NO IPOD	The iPod is not recognized correctly. <ul style="list-style-type: none"> • Some time could be taken for the iPod to be recognized. • <i>Check the connection.</i> • <i>Reset the iPod, and then connect it again.</i>
NO SONGS	Your iPod has no playable music. <ul style="list-style-type: none"> • <i>Download playable music to your iPod.</i>

Note: When iPod device is connected to this unit, then put an unsupported disc (ex. DVD/VCD disc) into disc player, the disc player will take a long time on recognize the unsupported disc and display the proper error messages. At the same time, the iPod device occurs with temporary disconnection and reconnection interruptions (display blinks) several times. Please notice this phenomenon indicate there is nothing wrong with the main unit and your iPod device. When above phenomenon occurs, please wait a while for operation.

Free Manuals Download Website

<http://myh66.com>

<http://usermanuals.us>

<http://www.somanuals.com>

<http://www.4manuals.cc>

<http://www.manual-lib.com>

<http://www.404manual.com>

<http://www.luxmanual.com>

<http://aubethermostatmanual.com>

Golf course search by state

<http://golfingnear.com>

Email search by domain

<http://emailbydomain.com>

Auto manuals search

<http://auto.somanuals.com>

TV manuals search

<http://tv.somanuals.com>