

Operating Instructions Bedienungsanleitung Manuel d'instructions Gebruiksaanwijzing Bruksanvisning Manuale di istruzioni Manual de Instrucciones

4/3/2-Channel Bridgeable Power Amplifier

4/3/2-Kanal-Brückenleistungsverstärker

Ampli 4/3/2 canaux powart être monté en pont

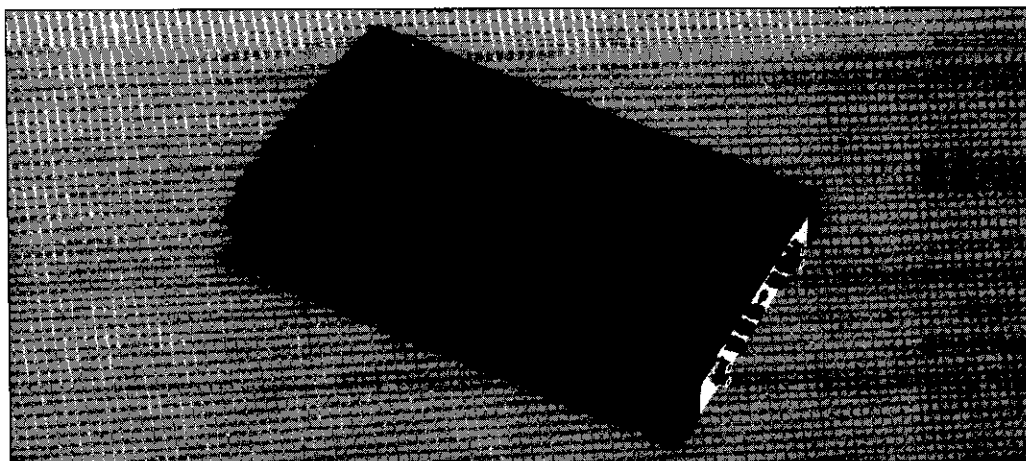
4/3/2-Kanaals eindversterker met bruginstelling

4/3/2-Kanals bryggkopplad effektförstärkare

Amplificatore di potenza a 4/3/2 canali collegabili con ponte (AMPLIFICATORE DI POTENZA)

Amplificador de potencia puenteable de 4/3/2 canales

CY-M9054EN



Panasonic

Before operating this set, please read these instructions completely.

Bitte lesen Sie diese Bedienungsanleitung vor der Inbetriebnahme aufmerksam durch.

Nous vous recommandons de lire attentivement ces instructions avant d'utiliser cet appareil.

Lees deze gebruiksaanwijzing in zijn geheel door alvorens dit apparaat in gebruik te nemen.

Läs noga dessa anvisningar före apparatens användning.

Prima di adoperare l'apparecchio, vogliate leggere attentamente le istruzioni.

Antes de poner en marcha el aparato, sírvase leer atentamente estas instrucciones.

Download from www.Sommanuals.com. All Manuals Search And Download

Table of Contents

	Page		Page
Precautions	3	Installation	10
Location of Controls	7	Electrical Connection	11
Operating Procedures	8	Fuse	13
System Diagram	9	Maintenance	13
Cautions on Proper Handling	10	Specifications	13

Inhaltsverzeichnis

	Seite		Seite
Vorsichtsmaßnahmen	4	Einbau	17
Lage der Kontrollfunktionen	14	Elektrischer Anschluß	18
Grundlegende Gerätebedienung	15	Sicherung	20
Systemschema	16	Pflege	20
Vorsichtsmaßnahmen bei der Handhabung	17	Technische Daten	20

Sommaire

	Page		Page
Précautions	4	Installation	24
Emplacement des commandes	21	Connexion électrique	25
Procédures de fonctionnement	22	Fusible	27
Schéma général	23	Entretien	27
Précautions pour la manutention adéquate	24	Spécifications	27

Inhoudsopgave

	Bladzijde		Bladzijde
Voorzorgsmaatregelen	5	Inbouwen	31
Plaatsing van de bedieningselementen	28	Bedradingsschema	32
Bediening	29	Zekering	34
Systeemschema	30	Onderhoud	34
Maatregelen voor een juist gebruik	31	Technische gegevens	34

Innehåll

	Sida		Sida
Observera	5	Montering	38
Delarne och deras placering	35	Electriska anslutningar	39
Handhavande	36	Säkring	41
Kopplingschema	37	Underhåll	41
Försiktighet gällande korrekt hantering	38	Tekniska data	41

Contenuto

	Pag.		Pag.
Precauzioni	6	Installazione	45
Posizione dei comandi	42	Collegamenti elettrici.....	46
Procedure di funzionamento	43	Fusibile.....	48
Schema di collegamento.....	44	Manutenzione	48
Precauzioni per il maneggiamento corretto	45	Dati tecnici	48

Indice

	Pag.		Pag.
Precauciones	6	Instalación	52
Ubicación de los controles	49	Conexiones eléctricas	53
Procedimientos de operación	50	Fusible	55
Diagrama del sistema	51	Mantenimiento	55
Precauciones sobre la manipulación correcta.....	52	Especificaciones	55

Panasonic welcomes you to their constantly growing family of electronic products owners.

We endeavor to give you the advantages of precise electronic and mechanical engineering, manufactured with carefully selected components, and assembled by people who are proud of the reputation their work has built for our company. We know this product will bring you many hours of enjoyment, and after you discover the quality, value and reliability we have built into it, you too will be proud to be a member of our family.

Precautions

Volume Level

For your driving safety, keep the volume level low enough to be aware of road and traffic conditions.

Car Washing

To avoid electrical shorts which may cause fire or other damage, do not expose this equipment (including the speakers and tape) to water or excessive moisture.

Car Ventilation

If your car is parked for several hours in direct sunlight, the temperature inside the car may become very high. It is advisable to drive the car and give the interior a chance to cool down before switching the unit on.

Power Supply

This equipment is designed to be used in a car having 12-Volt negative ground battery system.

Service

This unit is made of precision parts. Do not attempt to disassemble or adjust any parts. For repair, please consult your nearest authorized Panasonic Service Center.

Lieber Panasonic-Kunde

Wir möchten Ihnen dafür danken, daß Sie sich für dieses Gerät entschieden haben. Wir heißen Sie hiermit herzlich willkommen in der ständig wachsenden Familie zufriedener Besitzer von Panasonic-Geräten in der ganzen Welt.

Wir sind sicher, daß mit dieser Neuerwerbung alle ihre Ansprüche befriedigt werden.

Lesen Sie bitte diese Bedienungsanleitung sorgfältig durch, und halten Sie sie immer griffbereit. Denn sie enthält eine Anzahl wichtiger Hinweise, die gewährleisten, daß Sie die Möglichkeiten ihres Gerätes voll ausnutzen können.

Vorsichtsmaßnahmen

Lautstärkepegel

Aus Gründen der Fahrsicherheit ist der Lautstärkepegel so einzustellen, daß auch andere Verkehrsgereusche (Hupen, Warnsignale, usw.) vernommen werden können.

Autowäsche

Dieses Gerät (einschließlich Lautsprecher und Tonbänder) ist vor Wasser und übermäßiger Feuchtigkeit zu schützen, um elektrische Kurzschlüsse zu vermeiden, da dieses zu Beschädigungen führen könnte.

Belüftung

Falls Ihr Wagen für längere Zeit in direktem Sonnenlicht geparkt war, kann sich das Innere sehr stark erwärmen. In einem solchen Fall sollte das Fahrzeug mit geöffneten Fenstern für einige Zeit gefahren werden, damit sich das Wageninnere abkühlen kann. Erst danach sollte das Gerät eingeschaltet werden.

Stromversorgung

Dieses Gerät darf nur in Fahrzeuge mit 12 V-Batterie und negativer Batterieklemme an Masse eingebaut werden.

Kundendienst

Dieses Gerät ist aus Präzisionsteilen zusammengebaut. Niemals selbst das Gerät zerlegen bzw. einzelne Teile einstellen. Für Reparaturen wenden Sie sich bitte an den Panasonic-Kundendienst.

Panasonic vous souhaite la bienvenue parmi la famille toujours croissante des possesseurs de nos appareils électroniques. Nous avons fait de notre mieux pour vous apporter les avantages de la précision mécanique et électronique de pointe, étant donné que l'appareil a été composé avec des pièces soigneusement choisies et montées par des gens qui sont fiers de la renommée de leur Société que leur travail consciencieux lui a valu. Nous sommes sûrs que cet appareil vous permettra de profiter de nombreuses heures d'écoute, et après avoir découvert la qualité intrinsèque et la fiabilité de l'appareil, vous serez vous aussi fier d'appartenir à la famille **Panasonic**.

Précautions

Niveau du volume

Par mesure de sécurité routière, maintenez le niveau de volume assez bas pour pouvoir entendre les bruits de la rue.

Nettoyage de la voiture

Pour éviter les court-circuits électriques qui peuvent provoquer un incendie ou autre dommage, n'exposez pas l'appareil (y compris les hautparleurs, les cassettes) à l'eau ou à une humidité excessive.

Ventilation de la voiture

Si votre véhicule est stationné pendant plusieurs heures au soleil, la température intérieure peut être très élevée. Pour revenir au mode de température normal, il est recommandé de conduire un certain temps avant de mettre l'appareil sous tension.

Alimentation

Cet équipement est conçu pour fonctionner avec du 12 V cc, masse négative.

Entretien

Cet appareil est conçu à partir d'éléments de précision. N'essayez pas de démonter ces éléments. Pour l'entretien, adressez-vous à votre service d'entretien Panasonic le plus proche.

Het doet ons veel plezier dat u hebt gekozen voor een Panasonic product. Door continu onderzoek en ontwikkeling streeft Panasonic ernaar haar elektronische producten verder te verbeteren voor nog meer gebruiksgemak en kwaliteit. Wij zijn ervan overtuigd dat dit product aan uw verwachtingen voldoet. Zoals vele andere gebruikers van Panasonic apparatuur over de gehele wereld, zult u ook enthousiast zijn over onze producten. Wij wensen u veel luisterplezier.

Voorzorgsmaatregelen

Volume-niveau

Houdt, voor de verkeersveiligheid, het volume laag genoeg om bewust van weg- en verkeerscondities te kunnen zijn.

Wassen van de auto

Stel deze apparatuur (inclusief autoradio luidsprekers en de tapes) niet bloot aan water of overmatig vocht om kortsluiting, wat brand kan veroorzaken, te voorkomen.

Auto-ventilatie

De temperatuur in de auto stijgt als de auto verschillende uren Laat geparkeerd wordt. Het is ter aanbeveling om het interieur van de auto af koelen alvorens de audio-instelling in te schakelen.

Netspanning

Dit apparaat is ontworpen voor gebruik met een 12 volts gelijkstroom accusysteem (auto-accu) met negatieve aarding.

Service

Dit apparaat is gemaakt van precisie onderdelen. Voer reparaties of bijstellingen niet zelf uit. Raadpleeg voor service het dichtstbijzijnde Panasonic servicecentrum.

Välkommen till den ständigt växande gruppen av ägare till **Panasonic** elektroniska produkter. Varje produkt tillverkas av noggrant utvalda komponenter och sammansätts av välutbildad personal under sträng kvalitetskontroll.

Läs bruksanvisningen noga och lär apparaten väl innan den används.

Observera

Volym

Anpassa ljudvolymen så att säker bilkörning ej hindras.

Biltvättning

Se till att apparaten och högtalarna ej utsätts för vatten eller fukt. Det kan förorsaka kortslutning och brand.

Ventilation inom bilen

Är det mycket varmt i bilen, kör den då en stund för att sänka temperaturen innan apparaten kopplas på.

Strömförsörjning

Apparaten får enbart anslutas till ett fordon vars elektriska system är 12V likspänning och negativ jordning.

Service

Apparaten är tillverkad av precisionsdelar. Tag aldrig isär eller justera någonting själv. För reparation, lämna apparaten till en Panasonic-återförsäljare.

Panasonic Vi dà il benvenuto nella famiglia in costante aumento dei proprietari dei suoi prodotti elettronici. Noi cerchiamo sempre di offrirvi i vantaggi di una tecnica elettronica e di una meccanica perfetta nei nostri prodotti fabbricati con componenti altamente selezionati e lavorati da persone che godono di piena fiducia presso la nostra compagnia. Noi siamo sicuri che questo prodotto Vi offrirà molte ore piacevoli e che dopo averne scoperto la qualità, il valore e l'affidabilità, anche Voi sarete orgogliosi di essere un membro della nostra famiglia.

Precauzioni

Livello del volume

Per la vostra sicurezza quando portate l'automobile, tenete il volume su un livello abbastanza basso per poter sentire i suoni di avvertimento del traffico.

Lavaggio dell'automobile

Per evitare cortocircuiti, che potrebbero causare incendi o altri danni, non esponete quest'unità (inclusi gli altoparlanti, i nastri) all'acqua o ad eccessive quantità di umidità.

Ventilazione dell'automobile

Nel caso in cui lasciate l'automobile parcheggiata per parecchie ore nella luce diretta del sole, la temperatura all'interno dell'automobile può diventare molto alta. Per far ritornare la temperatura interna ad un livello normale, è consigliabile guidare l'automobile un po' di tempo prima di accendere l'unità.

Alimentazione

Quest'unità è stata disegnata per essere alimentata con 12 V di corrente continua, massa negativa.

Servizio

Quest'unità è stata costruita con parti di precisione. Non cercate di smontare o aggiustare queste parti. Per lavori di servizio, consultate il più vicino centro assistenza della Panasonic.

Panasonic le da la bienvenida a la familia constantemente en aumento de poseedores de productos electrónicos. Nos esforzamos en proporcionarles las ventajas de la ingeniería mecánica y electrónica de precisión, de una fabricación con componentes cuidadosamente seleccionados, y de un montaje realizado por personas orgullosas de la reputación que su trabajo ha cimentado para nuestra empresa. Estamos seguros de que este producto le proporcionará muchas horas de distracción y, una vez comprobada la calidad, el valor y la fiabilidad incorporados, usted también se sentirá orgulloso de pertenecer a nuestra familia.

Precauciones

Nivel de volumen

Para su seguridad en la conducción, mantenga el nivel de volumen suficientemente bajo para estar atento a la carretera y las condiciones del tráfico.

Lavado del automovil

Procure no exponer este equipo (incluidos los altavoces y la cinta) al agua o a excesiva humedad, a fin de evitar cortocircuitos que podrían causar un incendio u otros daños.

Ventilacion del automovil

Si su coche está estacionado durante varias horas a plena luz del sol, la temperatura interior del mismo puede aumentar considerablemente. Por ello, es recomendable poner el vehículo en marcha y dejar que se enfríe el interior antes de utilizar el aparato.

Alimentacion

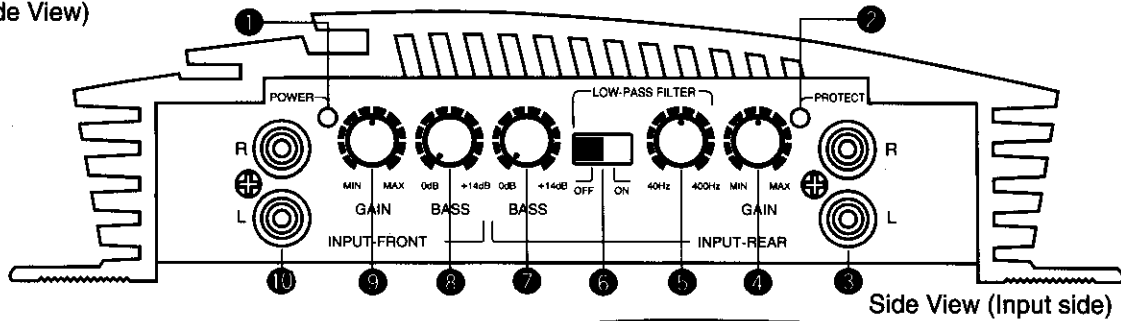
Este equipo ha sido diseñado para su uso en automóviles con una tensión de 12 V mediante sistema de batería con negativo a tierra.

Servicio

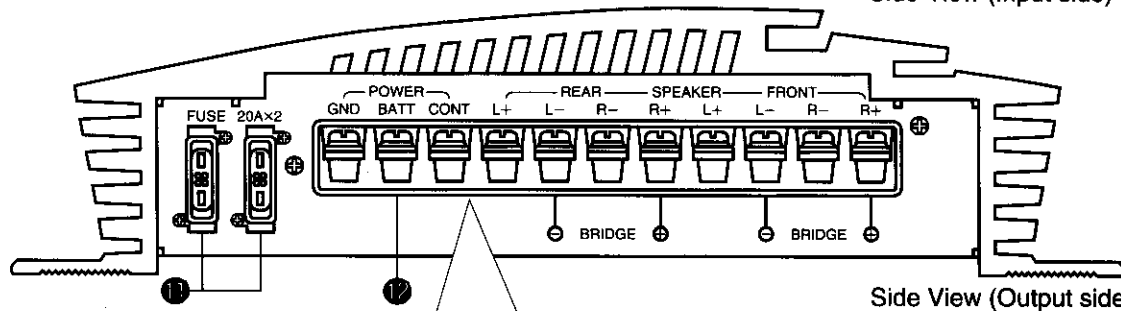
Este aparato ha sido fabricado con piezas de alta precisión. No intente desmontarlo ni ajustar ninguna pieza. Para la reparación, consulte al Servicio Técnico de Panasonic más próximo.

Location of Controls

(Side View)



Side View (Input side)



Side View (Output side)

13

For use in a 4-channel system:	For use in a 3-channel system:	For use in a 2-channel system:
Ⓐ : Rear Channel Left Side (+)	Ⓑ : Rear Channel (Bridge) (-)	Ⓑ : Rear Channel (Bridge) (-)
Ⓑ : Rear Channel Left Side (-)	Ⓓ : Rear Channel (Bridge) (+)	Ⓓ : Rear Channel (Bridge) (+)
Ⓒ : Rear Channel Right Side (-)	Ⓔ : Front Channel Left Side (+)	Ⓔ : Front Channel (Bridge) (-)
Ⓓ : Rear Channel Right Side (+)	Ⓕ : Front Channel Left Side (-)	Ⓕ : Front Channel (Bridge) (+)
Ⓔ : Front Channel Left Side (+)	Ⓖ : Front Channel Right Side (-)	
Ⓕ : Front Channel Left Side (-)	Ⓗ : Front Channel Right Side (+)	
Ⓖ : Front Channel Right Side (-)		
Ⓗ : Front Channel Right Side (+)		

Even if the connection is bridged, both left and right channel of the input connector should be connected. Otherwise the amplifier will not work.

- 1 Power Indicator**
Lights up when the power of the cassette/CD player connected to this unit is switched on.
- 2 Protect Indicator**
Lights up when the protect circuit of the amplifier is activated.
- 3 Input Connector (For Rear Channels) (RCA Terminal)**
For connection with the cassette/CD player's output.
- 4 Level Adjust Volume (For Rear Channels)**
Used for adjusting the amplifier output level for rear channel.
- 5 Bass Level Adjust Volume (For Rear Channels)**
Used for adjusting the bass output level for rear channels.
- 6 Bass Level Adjust Volume (For Front Channels)**
Used for adjusting the bass output level for front channels.
- 7 Level Adjust Volume (For Front Channels)**
Used for adjusting the amplifier output level for front channel.
- 8 Input Connector (For Front Channels) (RCA Terminal)**
For connection with the cassette/CD player's output.
- 9 Fuse (20A×2)**
This fuse is for circuit protection.
- 10 Power Supply Terminal**
For connection with the power supply.
- 11 Speaker Output Terminal**
For connection with the speakers.

Operating Procedures

For your driving safety, keep the volume level low enough to be aware of road and traffic conditions.

Precautions:

- This unit is designed to be used with a Panasonic cassette/CD player model.
- This unit is automatically switched on and off if the power switch of the cassette/CD player is turned on and off. The power indicator lights up when the cassette/CD player is turned on.
- Due to its large output, the current consumption of the unit is also large; therefore, the unit should not be used when the engine is turned off. Otherwise, the battery may deteriorate so that starting of the engine may become impossible.

Level Adjustment:

In some instances, the acoustical output from each speaker may not be balanced properly depending upon the type of speakers or cassette/CD player unit to be used. If this occurs, try to adjust the volume level by turning the level adjust volume ④ and ⑨ to the left or right until the output from each amplifier is balanced by using the Level Adjust Volume as shown in the illustration.

Level Adjust Volume
(Side of the unit)



Bass Level Adjustment :

The bass output level from the speakers can be increased by using the Bass Level Adjust Volume ⑦ and ⑧. You can adjust the middle frequency 60 Hz within the range of 0 dB to 14 dB. For some speakers, the sound may be distorted because of the excessive data input for them. In that case, turn down the bass level until the distortion stops.

Bass Level Adjust Volume
(Side of the unit)

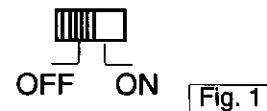


Note: Before connecting the speaker code or RCA code to this unit, the power to the unit must be switched off.

Low-pass filter Cutoff Frequency Switching (Only for rear channels)

The cutoff frequency of low-pass filter for each rear channel can be set within the range of 40 to 400Hz using the filter selector switch ⑥ and filter frequency adjust volume ⑤.

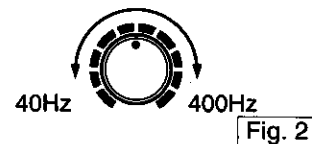
Filter Selector Switch
(Side of the unit)



<Filter Selector Switch>

When the switch ⑥ is set to ON, the filter is connected to the amplifier circuit for rear channels. When it is set to OFF, the filter is disconnected from it. (See Fig. 1 at right.)

Filter Adjust Frequency
(Side of the unit)



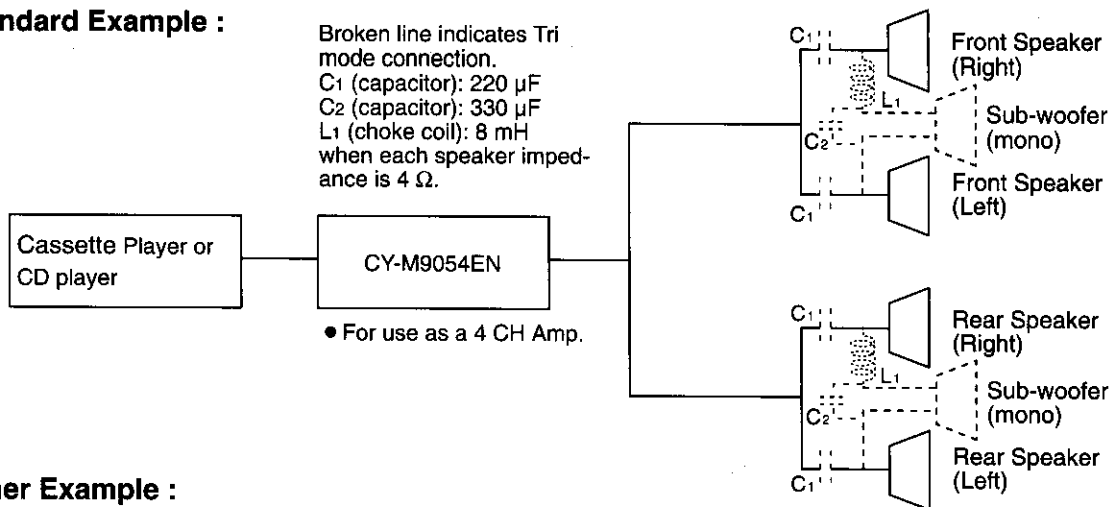
<Filter Adjust Frequency>

The low-pass filter cutoff frequency can be adjusted within the range of 40 to 400 Hz by using the filter frequency adjust volume ⑤. (See Fig. 2 at right.)

System Diagram

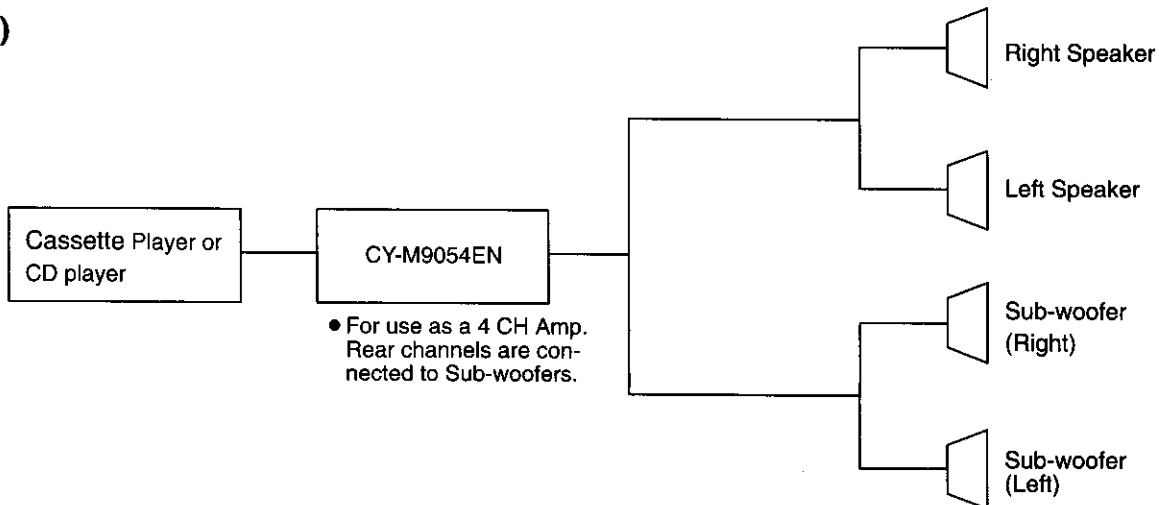
- Use this unit with Panasonic car audio products for best results.
- Various types of speakers are available from your nearest authorized dealer.
Select the speakers that are suitable for your system's requirement.

Standard Example :

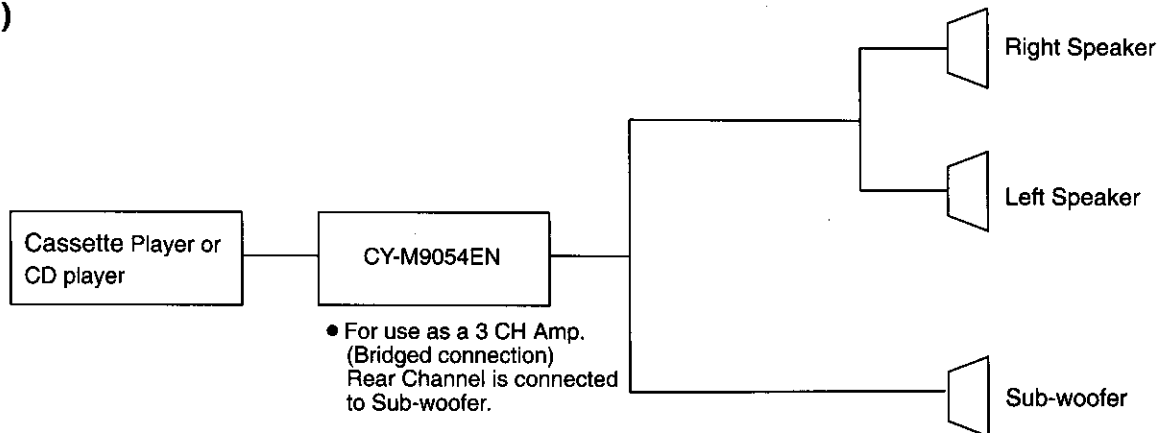


Other Example :

(1)



(2)



■ For additional system diagrams, please consult your nearest authorized dealer.

Cautions on Proper Handling

1. Since this unit is quite heavy, be sure to grip both sides securely before attempting to move it.
2. If this unit is operated at a high output continuously, the upper side of the unit will get very hot. Do not touch it nor place anything on top of the unit.
When the temperature becomes abnormally hot, the heat protection circuit operates and the operation will temporarily stop. In this case, switch off the unit and allow the unit to cool down. Decrease the volume level before turning the unit on again.
3. When a short circuit occurs, such as in the speaker output terminal, etc. the overload protection circuit will operate. This circuit protects the power amplifier from further damage when a short circuit occurs. Operation will temporarily stop. In this case, check the cause of the short-circuit and if the problem is fixed, normal operation will resume.

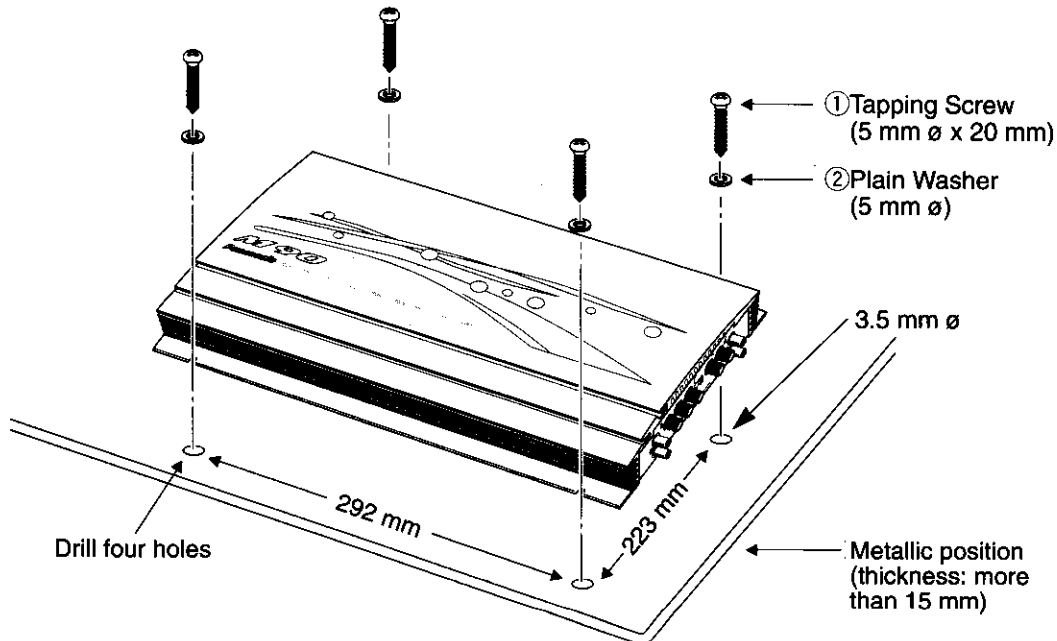
Installation

- This equipment, if possible, should be installed by a professional installer.
- In case of difficulty please consult your nearest professional installer.
- The speakers to be used with the amplifier should be able to handle more than 100W.
Use of speakers with small input ratings can result in damage to the speakers.
- Since the 4-Channel Power Amplifier has a very large output, the unit should be installed in the trunk of your car.
- The speaker cords and the power amplifier unit should be kept away from the antenna and antenna extension cord.
- When using the RCA cords, keep them away from the speaker cords.

Supplied Hardwares

No.	Description	Q'ty.
①	Tapping Screw (5mm ϕ x 20 mm)	4
②	Plain Washer (5mm ϕ)	4
③	Terminal cover for short-circuit prevention	Large 1

Installing the unit to a metallic portion of the car:



Electrical Connection

Before wiring:

- This unit is to be used only in a 12-Volt, DC battery system (Car) with negative ground.
- Disconnect the cable from the negative (-) battery terminal (see note below).

Note:

For installation in cars with trip or navigational computers, all electronic memory settings previously registered in the computer will be lost when the battery terminal is disconnected. For this type of car, battery should not be disconnected. Therefore, extra care should be taken to prevent short circuiting.

Please read the operating and installation instructions for your car audio carefully before connecting to this unit.

For 4-Channel System:

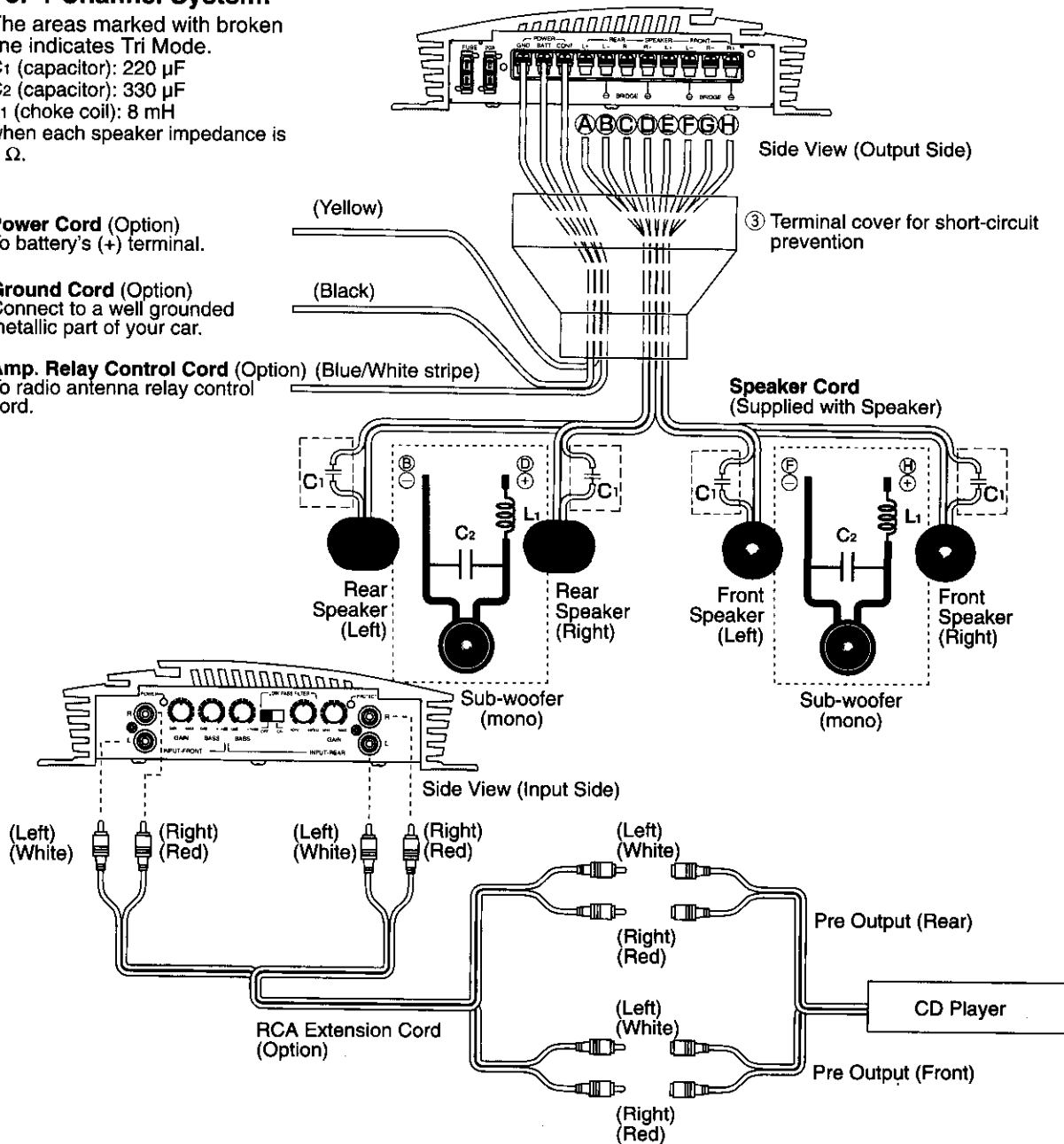
The areas marked with broken line indicates Tri Mode.

- C₁ (capacitor): 220 μ F
 - C₂ (capacitor): 330 μ F
 - L₁ (choke coil): 8 mH
- when each speaker impedance is 4 Ω .

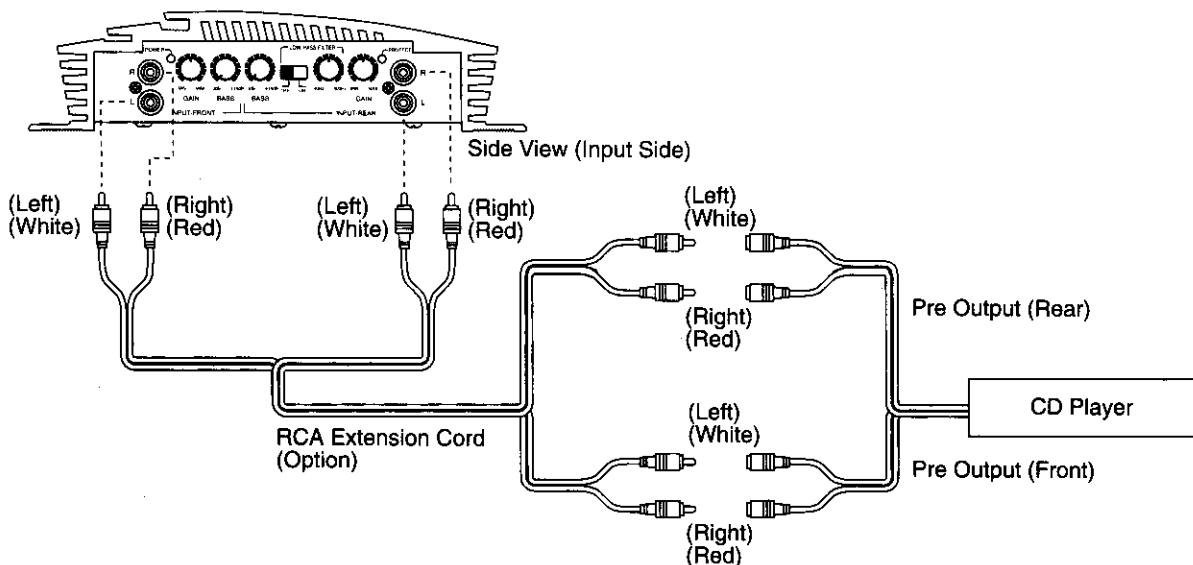
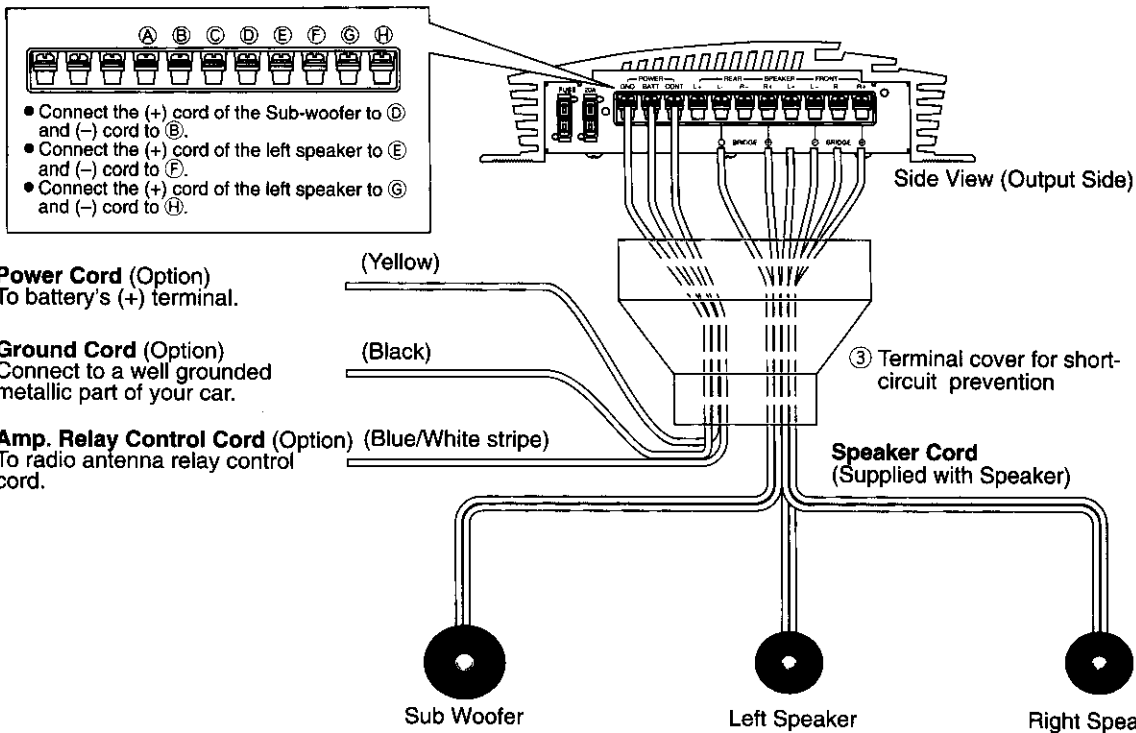
Power Cord (Option)
To battery's (+) terminal.

Ground Cord (Option)
Connect to a well grounded metallic part of your car.

Amp. Relay Control Cord (Option) (Blue/White stripe)
To radio antenna relay control cord.



For 3-Channel System:

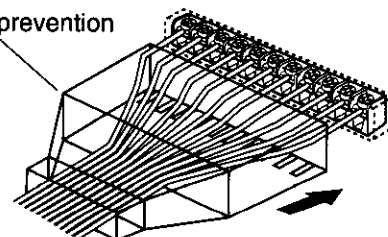


Both of left and right channel of the input connector should be connected for front and rear side. The amplifier will not work if both connections are not made properly.

Terminal cover for short-circuit prevention

This terminal cover is for preventing short-circuit between adjacent terminals. Before connecting each lead, pass it through the terminal cover. After connecting the leads to the terminals, cover the speaker output terminals and power terminals with this cover. Make sure that the projections to prevent slipping out are facing down.

Terminal cover for short-circuit prevention



Fuse

Be sure to use a fuse of the specified rating (20A x 2) when replacing a blown fuse. Fuses with higher capacity ratings, use of any substitute, or connection without a fuse may result in a fire hazard or damage to the unit. If the replacement fuse fails, consult your nearest authorized Panasonic Service Center.

Maintenance

To clean the exterior of this unit, use a soft cloth to wipe the surface. Do not use benzine, thinner, or any other type of solvents.

Specifications

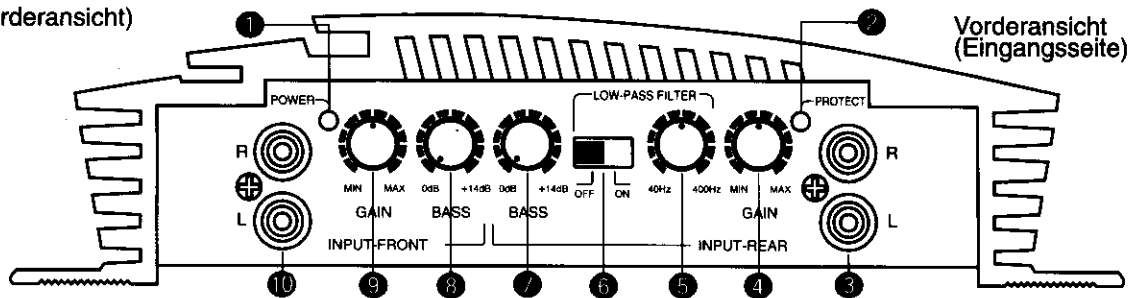
Power Supply	: DC 12 V (11 - 16 V) Test Voltage 14.4 V Negative Ground
Current Consumption	: 24 A (at 45 W x 4)
Speaker Impedance	: 4 Ω
Power Output ("EIA" Power)	: 2-CH; 90 W x 2 (20 Hz - 20,000 Hz, 0.08 %) 3-CH; 45 W x 2 + 90 W (20 Hz - 20,000 Hz, 0.08 %) 4-CH; 45 W x 4 (20 Hz - 20,000 Hz, 0.08 %)
Maximum Power Output	: 2-CH; 200 W x 2 3-CH; 100 W x 2 + 200 W 4-CH; 100 W x 4
Total Harmonic Distortion	: 0.08% (1,000 Hz, at 45 W)
Low Pass Filter	: 40 Hz - 400 Hz
BASS Boost	: 0 dB - 14 dB (Middle Frequency : 60 Hz)
Signal to Noise Ratio	: 105 dB (IHF, A)
Frequency Response	: 10 Hz - 40 k Hz
Input Sensitivity (Pre)	: 0.15 - 4 V
Input Impedance	: More than 10 k Ω
Dimensions(W x H x D)	: 234 x 55.5 x 352 mm
Weight	: 3.7 kg

Note:

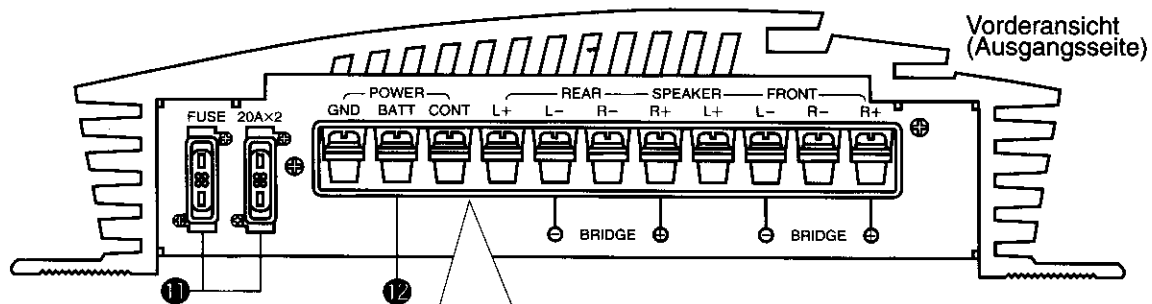
Specifications and the design are subject to possible modification without notice due to improvements.

Lage der Kontrollfunktionen

(Vorderansicht)



Vorderansicht
(Eingangsseite)



Vorderansicht
(Ausgangsseite)

13

Für 4-Kanal-system:		Für 3-Kanal-system:		Für 2-Kanal-system:	
Ⓐ : Hinterer Kanal, linke Seite (+)	Ⓑ : Hinterer Kanal (Brücke) (-)	Ⓐ : Hinterer Kanal (Brücke) (-)	Ⓒ : Hinterer Kanal (Brücke) (+)	Ⓑ : Hinterer Kanal (Brücke) (-)	Ⓓ : Hinterer Kanal (Brücke) (+)
Ⓑ : Hinterer Kanal, linke Seite (-)	Ⓒ : Hinterer Kanal, rechte Seite (-)	Ⓓ : Vorderer Kanal, linke Seite (+)	Ⓔ : Vorderer Kanal, linke Seite (-)	Ⓔ : Vorderer Kanal (Brücke) (-)	Ⓕ : Vorderer Kanal (Brücke) (+)
Ⓒ : Hinterer Kanal, rechte Seite (+)	Ⓓ : Vorderer Kanal, linke Seite (+)	Ⓕ : Vorderer Kanal, rechte Seite (-)	Ⓖ : Vorderer Kanal, rechte Seite (-)		
Ⓓ : Vorderer Kanal, linke Seite (-)	Ⓖ : Vorderer Kanal, rechte Seite (+)				
Ⓔ : Vorderer Kanal, rechte Seite (-)					
Ⓕ : Vorderer Kanal, rechte Seite (+)					

Auch wenn die Anschlüsse überbrückt werden, sollten sowohl der linke als auch der rechte Kanal des Eingangssteckers angeschlossen werden. Anderenfalls arbeitet der Leistungsverstärker nicht.

1 Betriebsanzeige

Leuchtet auf, wenn das Autoradio, das an dieses Gerät angeschlossen ist, eingeschaltet wird.

2 Schutzanzeige

Leuchtet auf, wenn die Schutzschaltung des Verstärkers aktiviert ist.

3 Cinch-Eingang (für hintere Kanäle)

Für den Anluß an den Ausgang des Cassetten/CD-spielers.

4 Pegelregler (für hintere Kanäle)

Wird benutzt, um den Ausgangspegel des Verstärkers für den hinteren Kanal einzustellen.

5 Filterfrequenz-Einstellregler

Wird benutzt, um die Grenzfrequenz des Tiefpaßfilters innerhalb eines Bereichs von 40 bis 400 Hz einzustellen (wenn der Filterwahlschalter eingeschaltet ist).

6 Filterwahlschalter

Wird benutzt, um das Tiefpaßfilter für die hinteren Kanäle zu aktivieren.

7 Baßregler (für hintere Kanäle)

Wird benutzt, um den Baßpegel für die hinteren Kanäle einzustellen.

8 Baßregler (für vordere Kanäle)

Wird benutzt, um den Baßpegel für die vorderen Kanäle einzustellen.

9 Pegelregler (für vordere Kanäle)

Wird benutzt, um den Ausgangspegel des Verstärkers für den vorderen Kanal einzustellen.

10 Cinch-Eingang (für vordere Kanäle)

Für den Anluß an den Ausgang des Cassetten/CD-spielers.

11 Sicherung (20A X 2)

Diese Sicherung schützt den Stromkreis.

12 Stromversorgungsklemme

Zum Anluß an die Stromversorgung

13 Lautsprecherausgangsklemme

Zum Anluß an die Lautsprecher.

Free Manuals Download Website

<http://myh66.com>

<http://usermanuals.us>

<http://www.somanuals.com>

<http://www.4manuals.cc>

<http://www.manual-lib.com>

<http://www.404manual.com>

<http://www.luxmanual.com>

<http://aubethermostatmanual.com>

Golf course search by state

<http://golfingnear.com>

Email search by domain

<http://emailbydomain.com>

Auto manuals search

<http://auto.somanuals.com>

TV manuals search

<http://tv.somanuals.com>