

Panasonic®

6-Disc CD Changer
Changeur CD à 6 disques

CX-DP610EUC

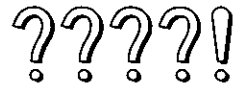
Operating Instructions
Manuel d'utilisation



Please read these instructions completely before operating this unit.
Il est recommandé de lire attentivement ce manuel avant d'utiliser l'appareil.

Contents

Before Use, Use This Equipment Safely	Page 2
<hr/>	
<input type="checkbox"/> Laser Products	6
<hr/>	
<input type="checkbox"/> Location of Controls	7
<hr/>	
<input type="checkbox"/> Preparations	8
How to insert a disc and how to remove a disc	
<hr/>	
<input type="checkbox"/> How to Use the CD Changer Unit and Disc Magazine	9
How to load, and remove a CD Magazine	
<hr/>	
<input type="checkbox"/> Troubleshooting	10
Helpful hints, troubleshooting guide, where to get service help	
<hr/>	
<input type="checkbox"/> System Diagram	12
Basic and another example of system configuration	
<hr/>	
<input type="checkbox"/> Installation	13
Precautions, V-H Screw setting, horizontal and vertical installation	
<hr/>	
<input type="checkbox"/> Electrical Connection	18
<hr/>	
<input type="checkbox"/> Special Notes	19
Notes on compact discs, caution on new discs, in case of malfunction	
<hr/>	
Accessories	20
Specifications	20



Panasonic est heureuse de vous compter parmi les utilisateurs de ses appareils électroniques. Nous pouvons vous assurer que cet appareil vous procurera de longues heures d'agrément. Notre réputation est fondée sur une ingénierie électronique et mécanique de haute précision laquelle préside à la fabrication d'appareils ne comportant que des composants de choix assemblés par un personnel soucieux de la bonne réputation acquise par la qualité de son travail. Après avoir découvert la qualité, la valeur et la fiabilité de cet appareil, vous aussi serez fier d'être un client **Panasonic**.

Préparatifs

L'utilisation d'une unité de contrôle (modèle CQ-FX35EUC, CQ-DF88EUC etc.) vendue séparément est nécessaire au fonctionnement de cet appareil.

Précautions à prendre

Au volant

Régler le volume à un niveau qui ne risque pas de masquer les bruits ambiants.

Lavage de la voiture

Afin de prévenir tout risque de court-circuit ou d'incendie, ne pas exposer l'équipement, y compris les haut-parleurs et les disques, à l'eau ni à une humidité excessive.

Voiture stationnée

L'habitacle d'une voiture immobile exposée au soleil toutes vitres fermées devient rapidement très chaud. Laisser rafraîchir l'intérieur du véhicule avant d'utiliser l'appareil.

Source d'alimentation

Cet appareil est conçu pour fonctionner sur un système d'alimentation avec batterie de 12V avec négatif à la masse (système standard sur les voitures de construction nord-américaine).

Mécanisme du lecteur audionumérique

Ne pas insérer d'objet dans le logement du disque. Autrement, le mécanisme ultra-précis du lecteur pourrait être irrémédiablement endommagé.

Réparation

Ne pas tenter de démonter ou d'ajuster l'appareil soi-même. Confier toute réparation à un centre de service agréé.

Il est recommandé de noter, dans l'espace prévu ci-dessous, les numéros de modèle et de série inscrits soit à l'arrière soit sous le fond de l'appareil, et de conserver ce manuel comme mémorandum de l'achat afin de permettre l'identification de l'appareil en cas de vol.

Numéro de modèle: **CX-DP610EUC** Numéro de série: _____

Date de l'achat: _____ Vendeur: _____

Table des matières

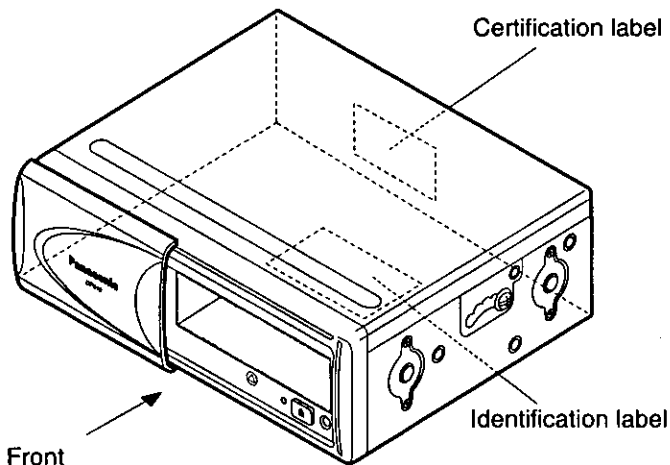
Préparatifs, précautions à prendre	Page 4	
<hr/>		
<input type="checkbox"/> Emplacement des commandes	21	
<hr/>		
<input type="checkbox"/> Préparatifs	22	
Insertion et retrait des disques		
<hr/>		
<input type="checkbox"/> Utilisation du lecteur/changeur et du magasin de disques	23	
Chargement et retrait des magasins de disques		
<hr/>		
<input type="checkbox"/> En cas de difficulté	24	?????
Conseils pratiques, Guide de dépannage, service après-vente		
<hr/>		
<input type="checkbox"/> Schéma synoptique	26	
Configuration de base et autres exemples		
<hr/>		
<input type="checkbox"/> Installation	27	
Précautions à prendre, réglage de la vis V-H, installation à l'horizontale et à la verticale		
<hr/>		
<input type="checkbox"/> Connexions électriques	32	
<hr/>		
<input type="checkbox"/> Généralités	33	
Remarques sur les disques audionumériques, précautions à prendre avec des disques neufs, en cas de problème de fonctionnement		
<hr/>		
Accessoires	34	
Données techniques	34	

☐ Laser Products (The standard described on this page is for U.S.A. only.)

Caution:
 This product utilizes a laser.
 Use of controls or adjustments or performance of procedures other than those specified herein may result in hazardous radiation exposure.

Laser products:
 Wave Length 780 nm
 Laser Power No hazardous radiation is emitted with safety protection.

• **Label indications and their locations**



Certification Label

Product complies with DHHS Rules 21 CFR, Subchapter J in effect as of date of manufacture.
 Matsushita Communication Industrial Co., Ltd.
 Yokohama, Japan

MANUFACTURED

Identification Label

Panasonic
 Model No. **CX-DP610EUC**
 N° De Modèle

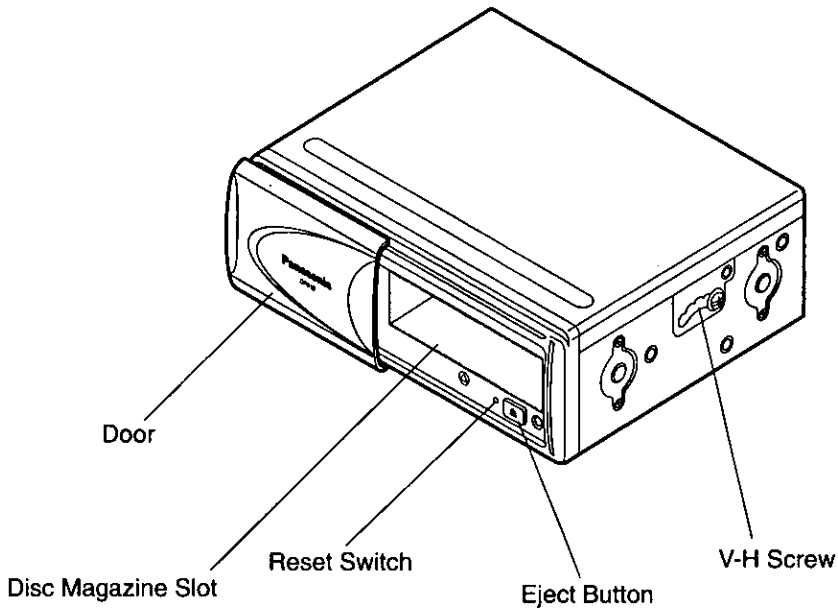
12 V		3 A	

Manufactured by Matsushita
 Communication Industrial Co., Ltd.
 Yokohama Japan Made in Japan

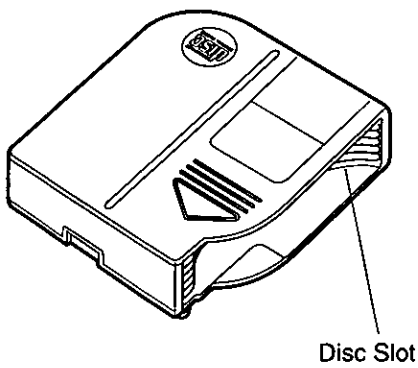
Serial No.
 N° De Série

Location of Controls

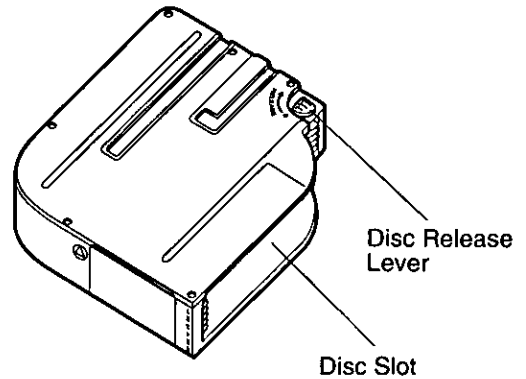
□ CD Changer Unit



□ Disc Magazine



<Top>



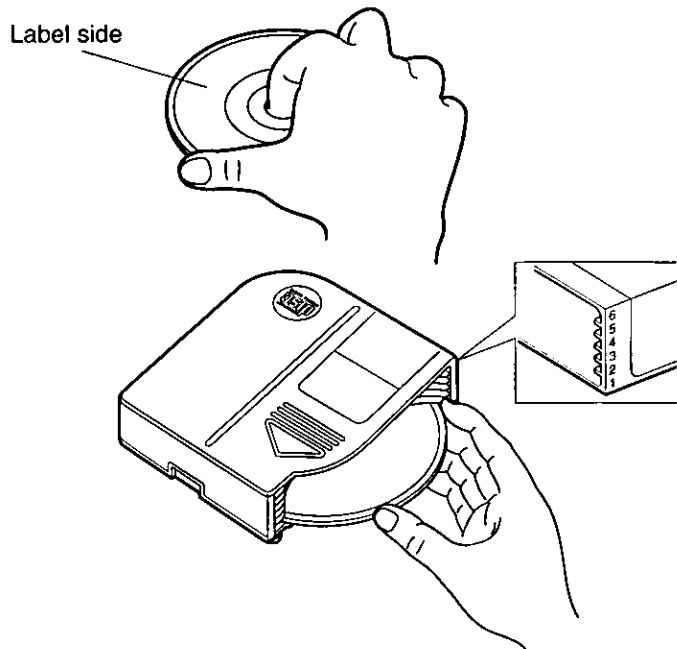
<Bottom>

Note:
Do not use a 3" (8 cm) compact disc.

Preparations

❑ To Insert a Disc

- ① Be sure to hold a disc with the label (the side where titles are printed) up, as shown.



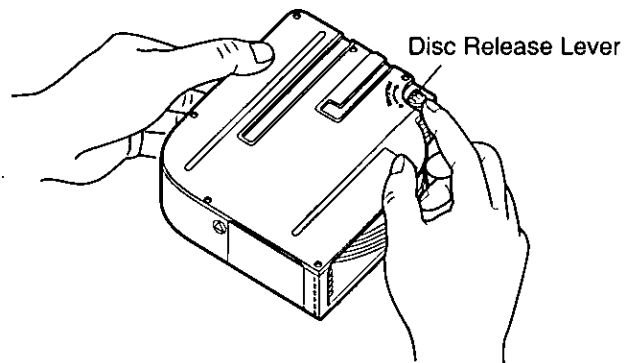
- ② With the disc mark on the magazine up, insert discs straight into the disc slot of the magazine until it is locked with a click.

Caution

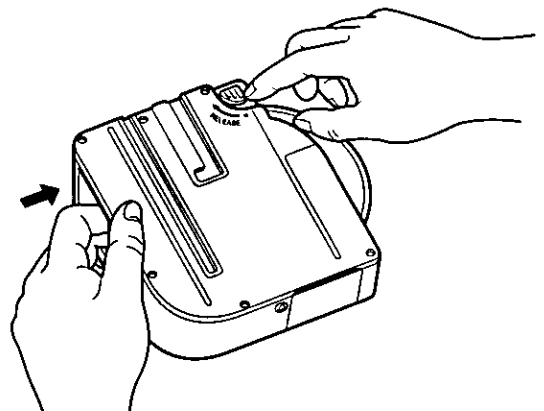
Insert each disc straight and level, not tilted, into a slot to avoid trouble.

❑ To Remove a Disc

- ① Turn the magazine upside down, hold it level, and turn the disc release lever in the direction of release to unlock.



- ② The discs can now be removed from the magazine by lightly pushing them through the opening. Be careful not to drop the discs.



Caution

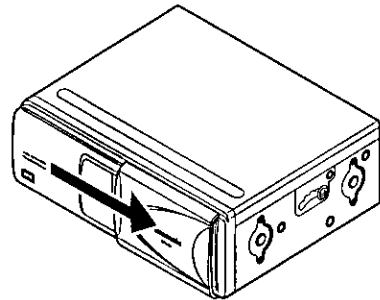
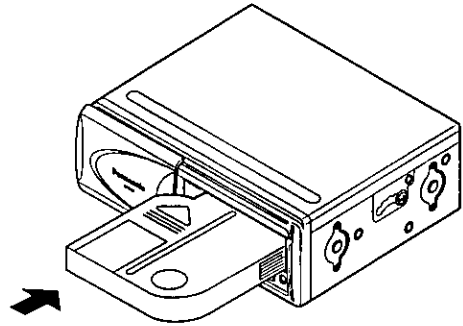
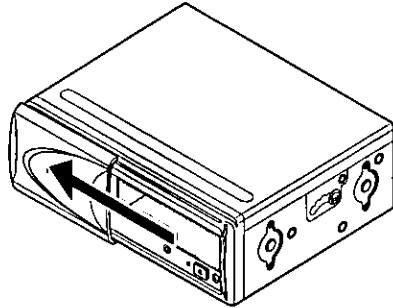
- Be sure to use the magazine supplied with the unit as an accessory, or the optional magazine CAM-P600D. Any other magazines can not be used.
- Never use protect film or stabilizer, commercially available as a CD accessory, for the unit because it may cause trouble.

How to Use the CD Changer Unit and Disc Magazine

To operate the unit, refer to the operating instructions for your system.

□ To Load a CD Magazine

- ① Slide the door to the left until it is fully open and a click is heard.
- ② Check the unit for its top and magazine inserting direction, and carefully push the magazine into it until you hear a click.
- ③ Close the slide door fully until you hear a click.

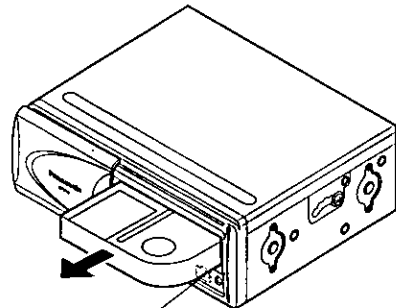


Caution

Be sure to keep the CD unit door closed to prevent dirt and dust from getting into the unit and causing possible malfunctions.

□ To Remove a CD Magazine

- ① Open the slide door.
- ② Press the eject button (▲).
The magazine will be ejected automatically.
- ③ Pull the magazine straight in the direction of the arrow until it comes out of the unit.



For a description of the functions, refer to the operating instructions for CD/Cassette Receiver.

Troubleshooting

□ Helpful Hints

- The CD changer operates in a temperature range of from 14°F (-10°C) to 131°F (55°C).
- Improper installation or driving on rough roads may cause the CD changer to skip while playing. This will not damage the disc or the unit.
- Please fill out and mail the Panasonic Purchase Information Card (attached to the Limited Warranty Card). It will help us serve you better and enable us to contact you should it be necessary.
- Please read your Limited Warranty Card.

□ Maintenance

Your product is designed and manufactured to ensure a minimum of maintenance. Use a soft cloth for routine exterior cleaning. Never use benzine, thinner, or other solvent.

□ When Something Doesn't Work

Check the charts on next page for possible causes and solutions to any problem you might be experiencing. Some simple checks or minor adjustments may eliminate the problem.

□ Product Servicing

If you are in doubt about the check point, or if the remedies indicated on the chart don't solve the problem, refer to the enclosed directory of MSC (in Canada:Panasonic) authorized Servicenters.

□ Replacing the Fuse

Use fuses of the same specified rating (3 amps). Using different substitutes or fuses with higher ratings, or connecting the unit directly without a fuse, could cause fire or damage to the CD Changer unit.

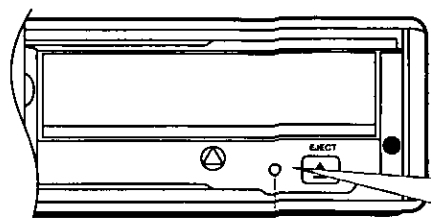
If the replacement fuse fails, contact your nearest Panasonic Servicenter for service.

□ Error Display Messages

Display	Description
FULL	Displays if more than 35 numbers are memorized. This only applies when the CD Changer control Receiver/Cassette Player has a memory function.
E1	Displays when the compact disc is dirty or when it is inverted. Next compact disc is automatically selected.
E2	Displays when the compact disc has a scratch on it. Next compact disc is automatically selected.
E3	Displays when the unit stops operating for some reason. Press the eject button of changer unit.
0000	Displays when there is no disc in the disc magazine.

Numbers before E1, E2 are error disc numbers.

□ Reset Switch



Reset Switch

If you hear an irregular noise or if the disc operating buttons do not function normally, press the Reset Switch using a pointed object, such as a pencil point.

❑ Troubleshooting Guide

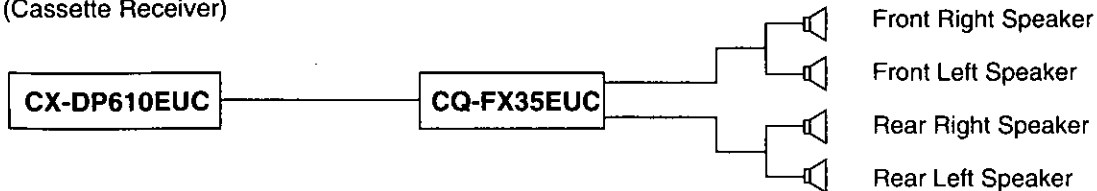
PROBLEM	POSSIBLE CAUSE	PROBABLE SOLUTION
No sound can be heard even if the disc magazine (with compact disc inserted) is properly loaded.	The compact disc is inverted.	Insert the disc with label side facing up.
	The compact disc is very dirty.	Try to clean the compact disc by following instructions on page 19.
	The temperature inside the car is more than 131°F (55°C).	Give the interior a chance to cool down before using the unit.
	Excessive moisture.	Wait for a while before using the unit.
	Wiring connection is not properly done.	Confirm all wiring connection such as power cord, speaker cords, etc.
	Volume control is at "minimum" position.	Adjust the volume control to the proper level.
	Battery or radio fuse was blown out.	Replace the fuse with the correct rating.
Sound distorted due to vibration.	Installation method is bad. V-H screw position (V-22.5° -45° - 67.5° -H) is wrong. .	Fix the unit securely. Check the V-H screws position. (See page 23.) Set the V-H screw by mounting angle (V,22.5° ,45° ,67.5° , H).
Inverted sound (Left/Right connections)	The speaker cords or RCA extension cords are inverted.	Check the speaker cords or RCA extension cords.
Sound distorted sometimes.	The compact disc may be defective.	Try replacing the disc with another one.
	The compact disc is dirty.	Try to clean the compact disc by following instructions on page 19.
The disc magazine is not ejected.	The disc magazine may be defective.	Contact your nearest authorized dealer.
No sound can be heard when CD Play button of CD Changer Control Receiver/Cassette Player is pressed.	CD magazine is not inserted correctly.	Insert CD magazine again.

System Diagram

Various types of speakers are available from your dealer. Select the speakers that suit your CD Changer Unit.

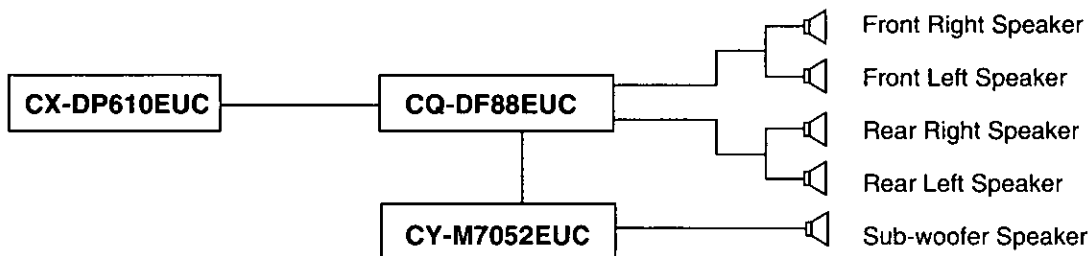
□ Basic Example of System Configuration

(Cassette Receiver)



□ Another Example of System Configuration

(CD Receiver)



Note: In addition to the above system diagrams, please consult your dealer.

Installation

❑ Precautions

If possible, this equipment should be professionally installed. In case of difficulty, please consult with your nearest professional installer.

1. This unit operates only in a 12-volt DC negative ground system.
2. Before performing installation and wiring, remove the negative (-) terminal of the battery. (See Note Below.)

Note: Do not disconnect the negative battery terminal in vehicles with trip or navigational computers. All electronic memory settings previously registered will be lost. Take extra care to avoid short circuiting when installing the unit.

3. Insulate all exposed wires to prevent short circuiting.
4. Secure all loose wires after installing the unit.
5. **First, connect the extension cord ① (supplied) (See page 18) to the CD changer and then, connect the RCA pin connectors and the extension cord 8p DIN connector to the CD/Cassette Receiver. Finally, connect the battery cord to a constant power supply.**
6. Please carefully read the operating and installation instructions of any equipment connected to this unit.
7. If the unit doesn't work after pressing other buttons, press the reset switch. If pressing the reset switch doesn't restore regular operation, please consult your nearest professional installer.

❑ Installation Hardware

	Description	Q'ty
①	Hex. Bolt with Double Washers (M5 x 10)	4
②	Base Bracket	2
③	Hex. Nut (M5)	4
④	Mounting Bracket (L)	1
⑤	Mounting Bracket (R)	1
⑥	Double-Faced Adhesive Tape	2

Installation (Continued)

Installation Location



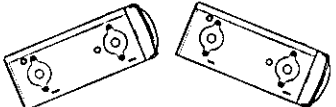
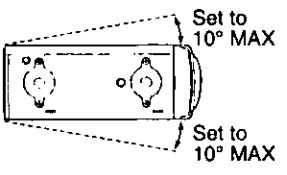
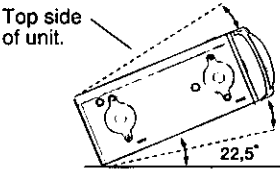
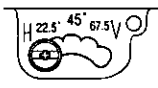
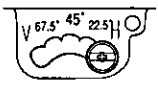
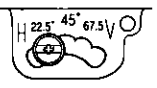
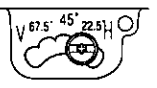
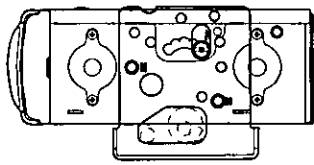
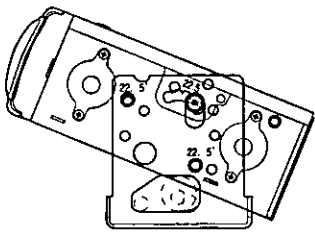
Do not install this unit on the rear tray of a car where the internal temperature can rise to high levels. Failure to comply with these instructions may cause problems. Also avoid installing the unit in the following locations.

- In areas hit by direct sunlight, hot air from the heater, or any other high-temperature location.
- In an area where you cannot firmly secure the unit, or in high-vibration areas.
- In areas with high humidity or high dirt and dust levels.

Note:

Be sure to tighten the screws after setting. Be sure to set the screws on **both the left and right sides**.

Installation and the Mounting Angle

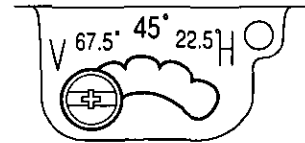
	Horizontal mounting		Mounting at 22.5°	
Installation	<p>CORRECT</p>  <p>Normal Position</p>	<p>WRONG</p>  <p>Inverted Position</p>	<p>CORRECT</p> 	
Angle	 <p>Set to 10° MAX</p> <p>Set to 10° MAX</p>		 <p>Top side of unit.</p> <p>22.5°</p>	
V-H Screw Position	 <p>Left side</p>	 <p>Right side</p>	 <p>Left side</p>	 <p>Right side</p>
Position of screw holes of mounting bracket				

You can install this unit either horizontally, at 22.5°, 45°, 67.5° or vertically. See the figure below for mounting angle.

□ V-H Screw Setting

Loosen two V-H screws, one on the right side and the other on the left of the CD changer unit, and slide them to position V, H, 22.5°, 45°, or 67.5°. (The V-H screws are originally set to position H before shipment from the factory.)

- **Horizontal mounting** : Slide the V-H screws to position H.
- **Mounting at 22.5°** : Slide the V-H screws to position 22.5°.
- **Mounting at 45°** : Slide the V-H screws to position 45°.
- **Mounting at 67.5°** : Slide the V-H screws to position 67.5°.
- **Vertical mounting** : Slide the V-H screws to position V.



For Right side

Mounting at 45°		Mounting at 67.5°		Vertical mounting	
CORRECT	WRONG	CORRECT	WRONG	CORRECT	WRONG
<p>Set to 10° MAX</p> <p>Top side of unit.</p> <p>Set to 10° MAX</p> <p>45°</p>		<p>Set to 10° MAX</p> <p>Top side of unit.</p> <p>Set to 10° MAX</p> <p>67.5°</p>		<p>Do not slope in this direction</p> <p>Top side of unit.</p> <p>Set to 10° MAX</p>	
Left side	Right side	Left side	Right side	Left side	Right side

Installation (Continued)

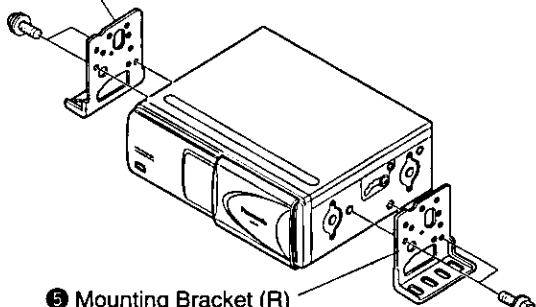
□ Mounting Options

Horizontal installation

If the unit is installed at 22.5°, attach the dust seal to the same position as in horizontal installation. If the unit is installed at 67.5°, attach it to the same position as in vertical installation.

1 Fasten the mounting brackets to both sides of the unit with hex bolts with double washers (M5 x 10).

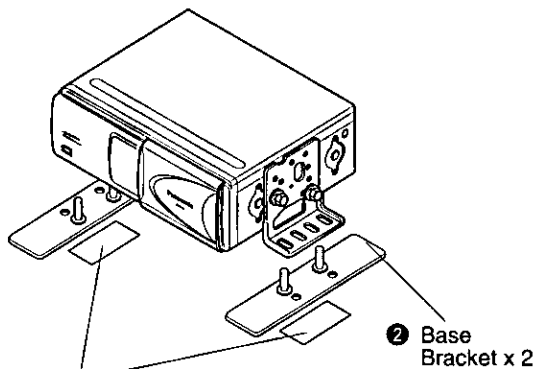
4 Mounting Bracket (L)



5 Mounting Bracket (R)

1 Hex.Bolt with Double Washers (M5 x 10) x 4

2 Select a location to install the unit on the carpet.

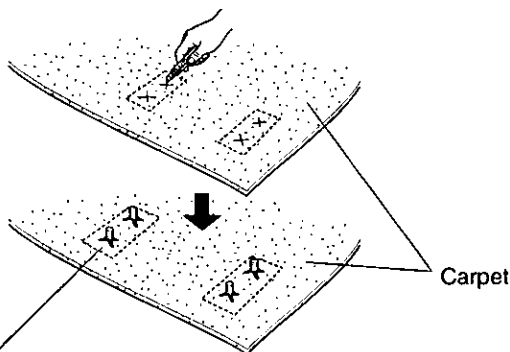


2 Base Bracket x 2

6 Double-Faced Adhesive Tape x 2

• Install the unit with 2 double-faced adhesive tapes **6**.

3 Cut the carpet in a cross where the bracket bolts are to pass through.

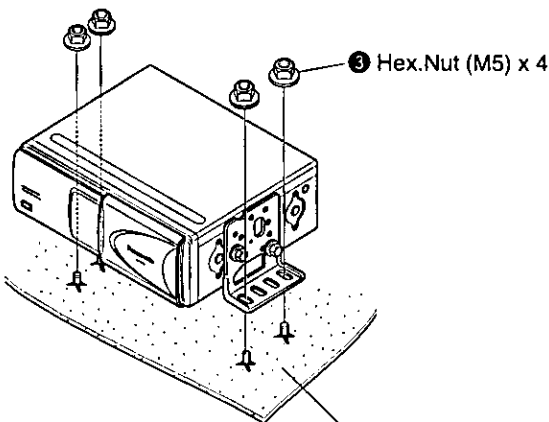


2 Base Bracket

Carpet

• Install the base brackets and double-faced adhesive tapes under the carpet.

4 Install the unit with 4 hex.nuts **3**.

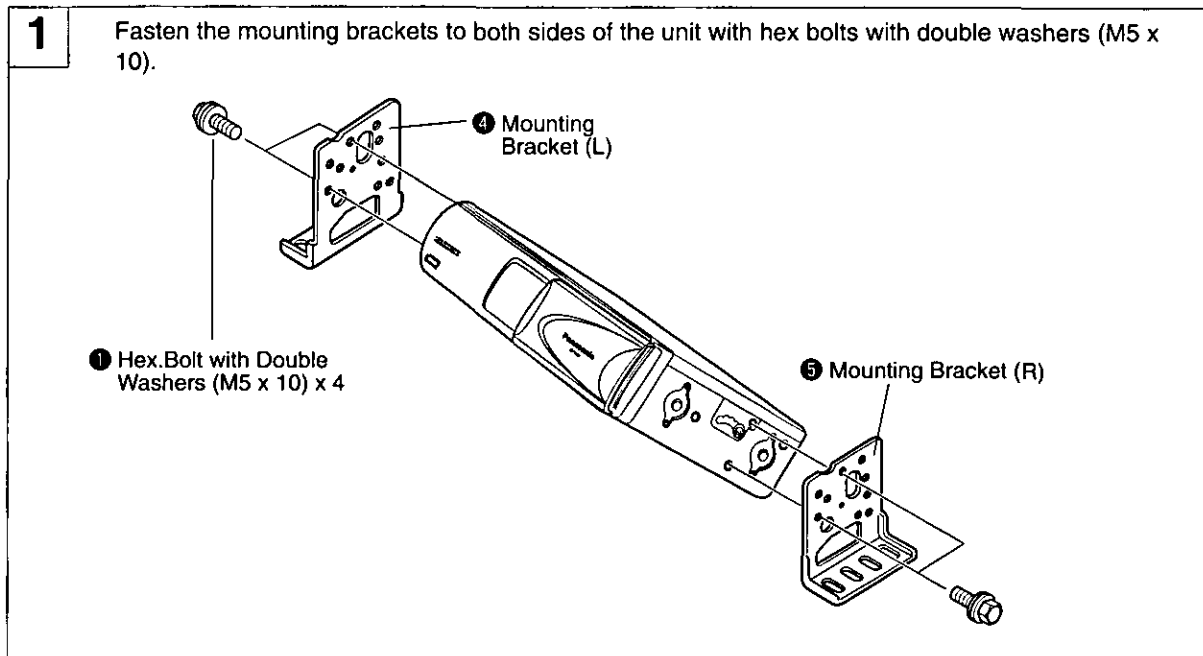


3 Hex.Nut (M5) x 4

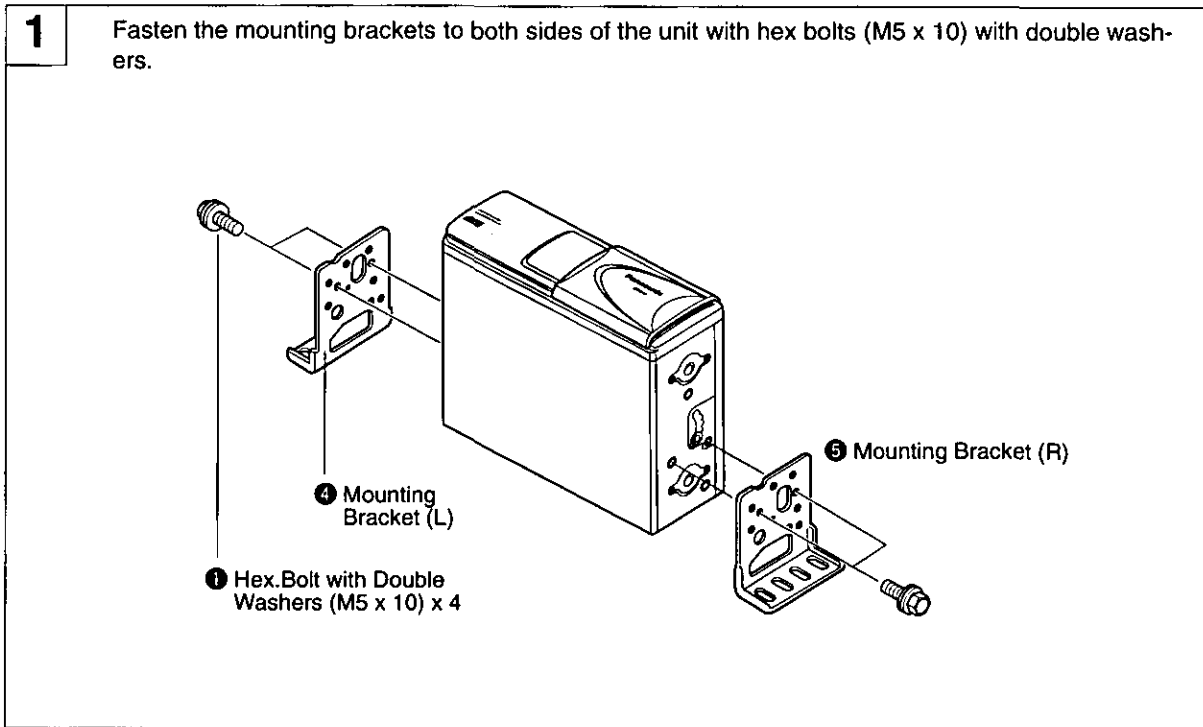
Carpet

45° Installation

At whichever angle, 22.5° or 67.5°, the unit is installed, use the holes in the mounting brackets that suit the mounting angle.



Vertical installation



Steps 2, 3, and 4 for mounting the unit at 22.5°, 45°, 67.5° or vertically are similar to those for horizontal installation.

Electrical Connection

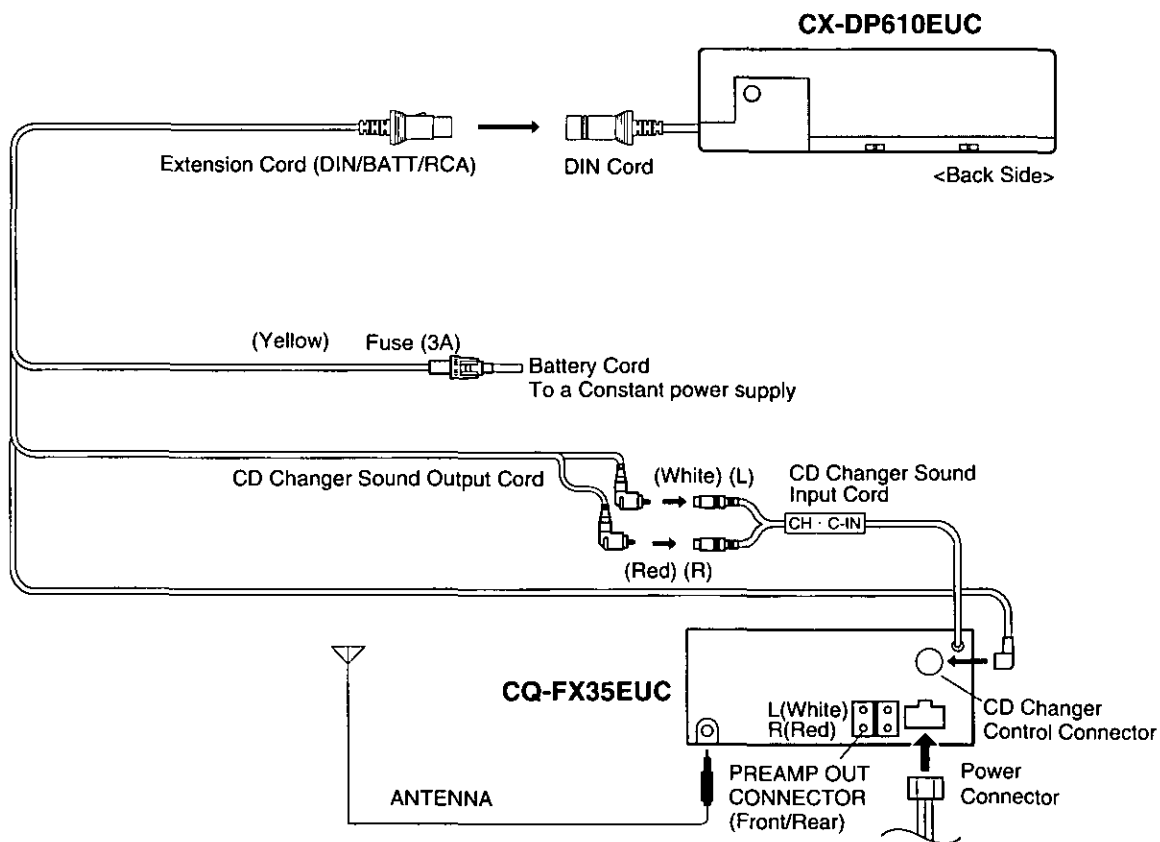
- This system is to be used only in a 12-volt DC Battery system (car) with negative ground.
- Follow the electrical connection diagram, or the unit may be damaged.
- First, connect the extension cord ① to the CD changer and then, connect the RCA pin connectors and the extension cord 8p DIN connector to the tuner deck amplifier. Finally, connect the battery cord to a constant power supply.
- Please carefully read the operating and installation instructions of the respective equipment before connecting it to this unit.

For details, please consult your nearest Panasonic dealer.

In combination with Changer Control Receiver/Cassette Player (CQ-FX35EUC)

Wiring Accessory

	Description	Q'ty
①	Extension Cord (DIN/BATT/RCA)	1



Caution

This CD changer has no ground lead. Connect the ground lead of the main unit (such as CQ-FX35EUC, etc.) to a grounded metallic part of your car.

Special Notes

Notes on Compact Discs

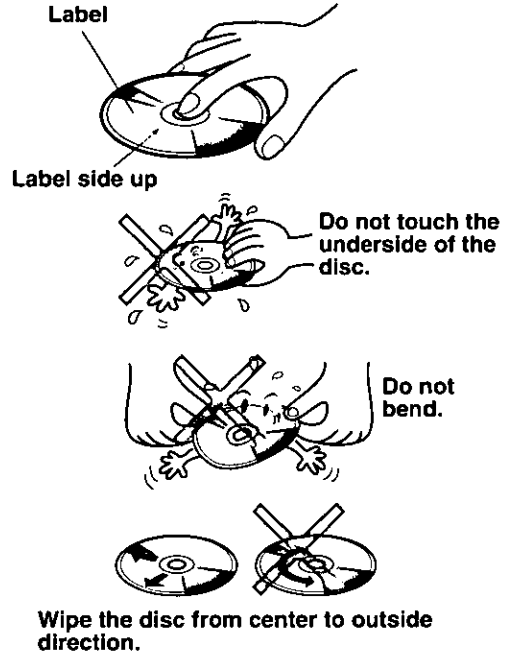
USE ONLY DISCS CARRYING THIS LABEL



- Handle discs carefully.
- Keep discs clean.
- Do not scratch or place stickers on discs.
- Do not bend discs.
- Keep discs in their cases when not using them.
- Do not place discs:
 1. In direct sunlight.
 2. In dirty, dusty or damp areas.
 3. Near the vehicle heater.
 4. On the seats or dashboard.

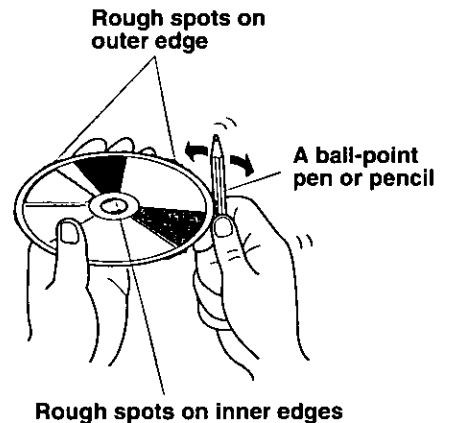
Disc Cleaning

Use a dry, soft cloth to wipe the surface. If the disc is soiled, use a soft cloth slightly dampened with isopropyl (rubbing) alcohol. Never use solvents such as benzene, thinner, conventional record cleaner, or household cleaners as they may mar the surface of the disc.



A Caution on New Discs

A new disc may have rough spots on its inner and outer edges. These rough edges may cause the CD player to reject the disc. Remove these rough edges by rubbing the inner and outer edges with a pen or pencil as shown at right.



Accessories

- 1 disc magazine (CA-MP600D).
- Operating and installation instructions.
- Warranty card.
- Panasonic Servicenter for service Directory.
- Installation hardware (1 set)
- Additional magazines are available from your nearest Panasonic dealer.

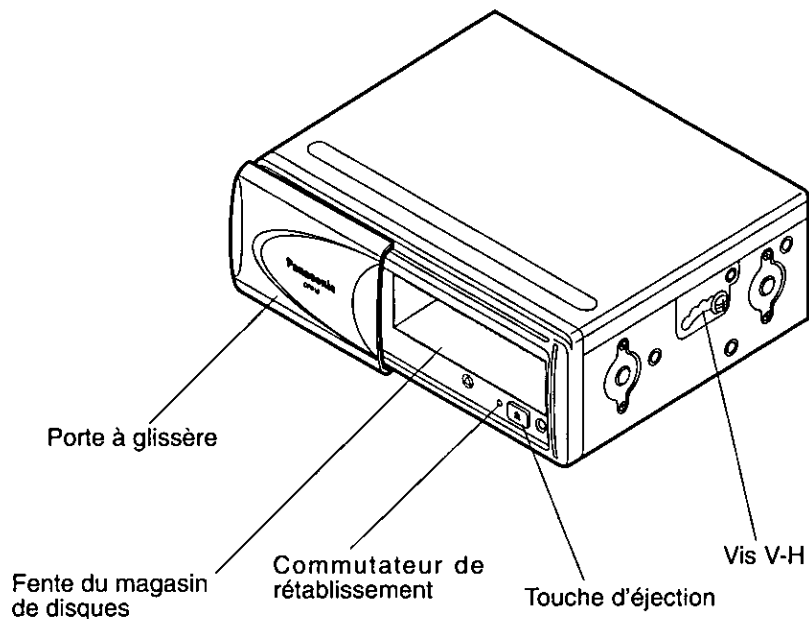
Specifications

General	
Power Supply	12V DC (11V - 16V) Test Voltage 14.4V Negative Ground
Current Consumption	Less than 1.0A (play mode)
Dimensions(W x H x D)	
CD Changer Unit	9-7/16"x2-5/8"x6-9/16" (240 x 67 x 166 mm)
Disc Magazine Unit	4-5/16"x1-3/16"x5-3/16" (121.5 x 30 x 131 mm)
Weight	
CD Changer Unit	4 lbs, 14 oz (2.2kg)
Disc Magazine Unit	6 oz (0.15kg)
Disc Magazine Unit	CA-MP600D (included)
CD Changer Unit	
Load Impedance	More than 10 kilohms
Output Voltage	2V rms (1 kHz, 0 dB)
Output Impedance	600 Ω
Channel	2 channels
Frequency Response	5 - 20,000Hz ± 1dB
Signal to Noise Ratio	96dB
Total Harmonic Distortion	0.006% (at 1kHz)
Wow and Flutter	Below measurable limit
Sampling Frequency	8 times oversampling
Correct System	Panasonic Super Decoding Algorithm
DA Converter	MASH-1 bit
Pick-Up Type	Astigma 1-beam
Light Source	Semiconductor laser
Wavelength	780 nm

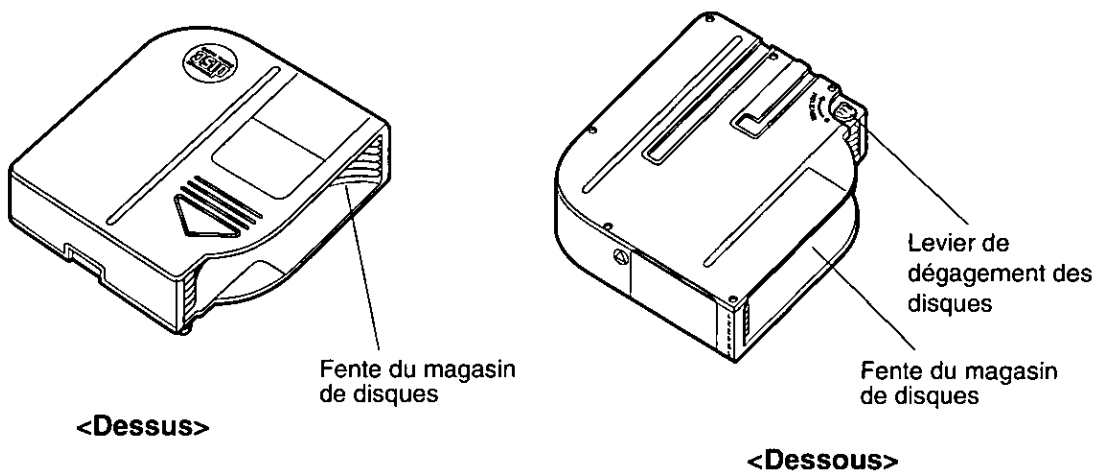
Note: Specifications and design are subject to modification without notice due to improvements in technology.

Emplacement des commandes

□ Lecteur/changeur de disques numériques



□ Magasin



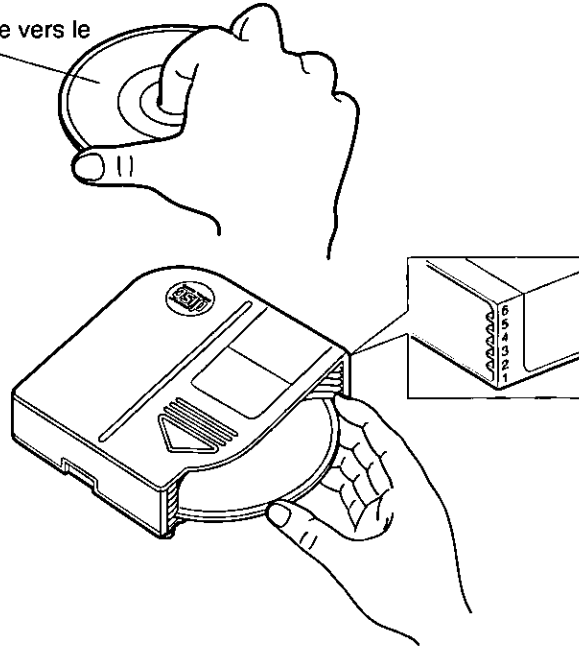
Remarque : Ne pas utiliser de disque de 8 cm (3po).

Préparatifs

□ Insertion des disques

- ① Tenir le disque avec l'étiquette vers le haut de la manière illustrée.

Étiquette vers le haut



- ② Prendre soin que le repère sur le magasin soit vers le haut, puis insérer les disques un à la fois dans les fentes jusqu'à ce qu'un déclic se fasse entendre.

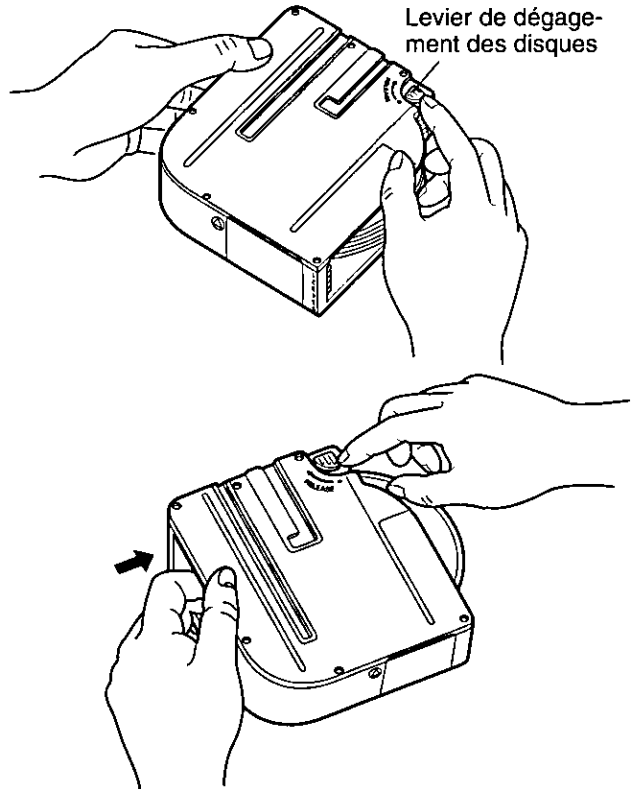
Attention

Afin de prévenir tout blocage, insérer le disque bien droit dans la fente.

□ Retrait des disques

- ① Mettre le magasin sens dessus dessous, le tenir droit, puis tourner le levier de dégagement des disques dans le sens indiqué par l'inscription "RELEASE".

Levier de dégagement des disques



- ② Il est alors possible de retirer les disques du magasin en les poussant quelque peu à travers l'ouverture. Prendre garde à ne pas échapper les disques.

Attention

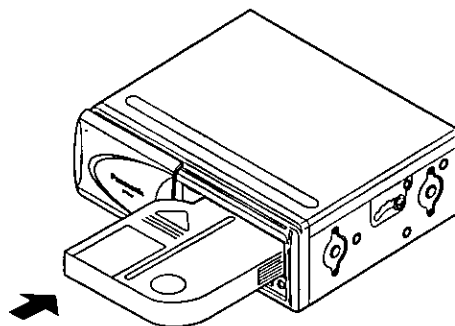
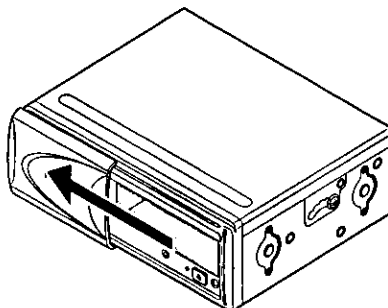
- S'assurer d'utiliser le magasin fourni avec l'appareil ou le magasin offert en option, modèle CA-MP600D. Aucun autre magasin ne peut être utilisé.
- Afin d'éviter tout problème de fonctionnement, ne jamais utiliser de pellicule protectrice ou de stabilisateur de disque avec cet appareil.

Utilisation du lecteur/changeur et du magasin de disques

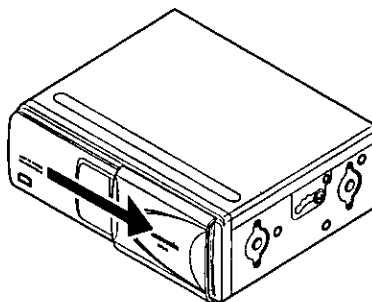
Pour le fonctionnement de l'appareil, consulter le manuel d'utilisation du système.

□ Chargement d'un magasin

- ① Faire glisser la porte vers la gauche jusqu'à ce qu'un déclic se fasse entendre.
- ② Vérifier que l'appareil est placé dans le bon sens, puis y insérer délicatement le magasin jusqu'à ce qu'un déclic se fasse entendre.
- ③ Refermer la porte jusqu'à ce qu'un déclic se fasse entendre.



- ③ Refermer la porte jusqu'à ce qu'un déclic se fasse entendre.

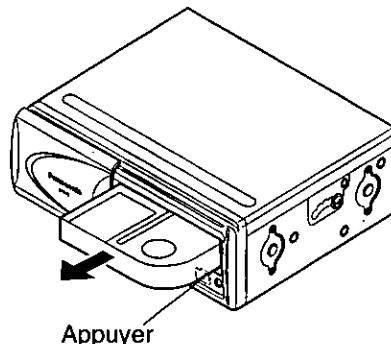


Attention

S'assurer de garder la porte fermée de manière à protéger l'appareil contre la poussière et les saletés, lesquelles pourraient causer des problèmes de fonctionnement.

□ Retrait d'un magasin

- ① Ouvrir la porte.
- ② Appuyer sur la touche d'éjection (▲). Le magasin est automatiquement éjecté.
- ③ Tirer le magasin dans le sens de la flèche de manière à le sortir complètement de l'appareil..



Pour une description détaillée des fonctions, se reporter au manuel d'utilisation afférent à l'autoradio utilisé.

En cas de difficulté

❑ Conseils pratiques

- La plage de température à laquelle il est recommandé d'utiliser l'appareil s'étend de -10°C (14°F) à $+55^{\circ}\text{C}$ (131°F).
- L'installation incorrecte de l'appareil et/ou la conduite sur des routes en mauvais état peut entraîner des sautilllements pendant la lecture. (Il est à noter que l'appareil ne peut être endommagé malgré de telles conditions difficiles.)
- Détacher la carte d'homologation de la garantie. La remplir et la poster dès que possible. Cela nous permettra de vous offrir un meilleur service et de communiquer avec vous dans l'éventualité où cela deviendrait nécessaire.
- Il est recommandé de lire attentivement la carte d'homologation de la garantie.

❑ Entretien

Nettoyer le coffret avec un linge doux. Ne jamais utiliser de solvant d'aucune sorte.

❑ En cas de difficulté

Vérifier le tableau explicatif des messages d'erreur ci-contre qui donne les solutions aux problèmes les plus courants. Une simple vérification ou un réglage mineur suffit dans la plupart des cas.






❑ Service après-vente

Si, après quelques tentatives, le problème persiste, il est recommandé de confier l'appareil à un centre de service Panasonic agréé. Confier toute réparation à un technicien qualifié.

❑ Remplacement du fusible

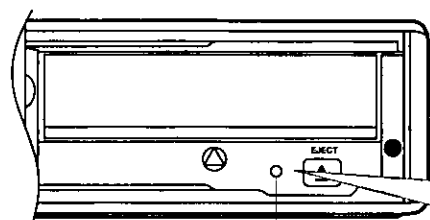
Utiliser un fusible de même ampérage (3A). L'utilisation de substituts ou de fusibles d'un ampérage supérieur ou le raccordement de l'appareil sans fusible en place peuvent entraîner un risque d'incendie et endommager l'appareil. Si le fusible de remplacement saute, consulter un centre de service Panasonic agréé.

❑ Indication d'erreur

Affichage	Description
	Ce message s'affiche si plus de 35 plages sont en mémoire. Cet affichage ne peut apparaître que si l'unité de contrôle utilisée est muni d'une fonction mémoire.
	S'allume si le disque est sale ou est sur le mauvais côté. Dans un tel cas, le disque suivant dans le magasin est automatiquement sélectionné.
	S'allume pour indiquer que le disque est rayé. Dans un tel cas, le disque suivant dans le magasin est automatiquement sélectionné.
	S'allume lorsque, pour une raison ou une autre, le fonctionnement de l'appareil est interrompu. Appuyer sur la touche d'éjection du changeur.
	Cette indication apparaît lorsqu'il n'y a pas de disque dans le magasin.

Les numéros précédant E1, E2 sont des codes d'erreur de disque.

❑ Commutateur de rétablissement



Commutateur de rétablissement

Appuyer sur ce commutateur en présence de bruits anormaux ou lorsque l'appareil ne répond à aucune des commandes. Utiliser un objet pointu pour enfoncer le commutateur.

□ Guide de dépannage

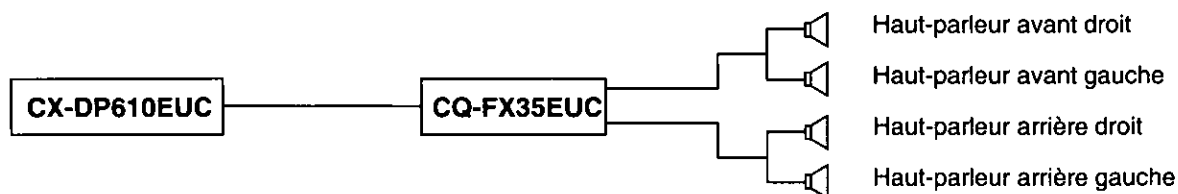
Problème	Cause probable	Remède suggéré
Aucun son ne peut être entendu même si le magasin de disque (avec disque en place) a été correctement inséré.	Le disque est sens dessus dessous.	Insérer le disque, étiquette sur le dessus.
	Le disque est sale.	Essayer de nettoyer le disque en suivant les instructions de la page 33.
	La température à l'intérieur de la voiture est supérieure à 55°C (131°F).	Attendre que l'habitacle se soit rafraîchi.
	Humidité excessive.	Attendre avant d'utiliser l'appareil.
	Les raccordements n'ont pas été faits correctement.	Vérifier le raccordement des fils tels que le fil d'alimentation, les fils des haut-parleurs, etc.
	La commande de volume est au niveau minimum.	Régler le volume à un niveau approprié.
	Le fusible de batterie a sauté.	Remplacer par un fusible dont l'ampérage est approprié.
Distorsion du son due aux vibrations	Le mode d'installation est incorrect. La position de la vis V-H (V-22,5°-45°-67,5°-H) est mauvaise.	Fixer l'appareil solidement. Vérifier la position de la vis V-H. (Se reporter à la page 28) Ajuster l'angle de la vis V-H (V-22,5°-45°-67,5°-H).
Le son est inversé. (Connexions des canaux droit et gauche)	Les fils de haut-parleurs ou les fils de rallongement RCA sont intervertis entre les canaux droit et gauche.	Vérifier les fils de haut-parleurs ou les fils de rallongement RCA.
Présence intermittente de distorsion.	Le disque compact est défectueux.	Remplacer le disque compact par un autre.
	Le disque compact est sale.	Essayer de nettoyer le disque compact en suivant les instructions de la page 33.
Le magasin de disques ne peut être éjecté.	Le magasin pourrait être défectueux.	Communiquer avec un détaillant Panasonic.
Aucun son n'est entendu sur pression de la touche CD de l'unité de contrôle.	Le magasin n'est pas inséré correctement.	Insérer le magasin correctement.

Schéma synoptique

Plusieurs modèles de haut-parleurs sont disponibles dans le commerce. Sélectionner ceux qui sont les plus appropriés au modèle de lecteur/changeur.

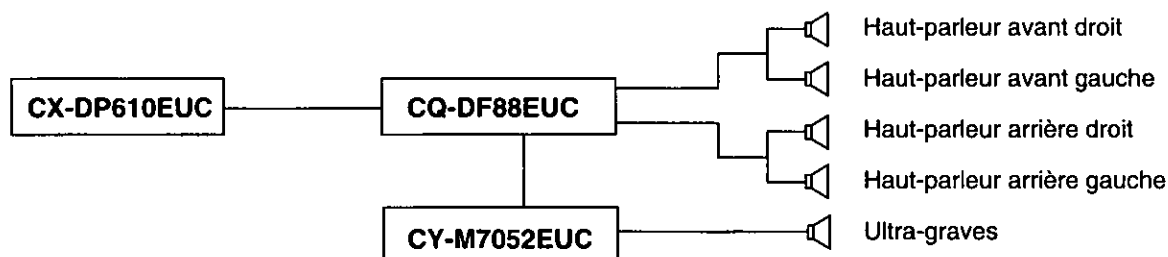
☐ Exemple d'une configuration

(Autoradio avec lecteur de cassettes)



☐ Autre configuration possible

(Autoradio avec lecteur CD)



NOTA: Consulter un détaillant Panasonic pour plus de renseignements sur d'autres configurations possibles.

Installation

❑ Précautions à prendre

Confier, si possible, l'installation à un installateur professionnel.

En cas de difficulté, consulter un installateur professionnel.

1. Cet appareil doit fonctionner sur une batterie de voiture de 12 V c.c. avec négatif à la masse.
2. Avant d'effectuer l'installation et de faire les raccordements, débrancher la borne négative (-) de la batterie (voir Nota ci-dessous).

NOTA: Si le véhicule est muni d'un ordinateur de navigation, toutes les données enregistrées en mémoire seront effacées lorsque la borne négative de la batterie sera débranchée. Aussi, est-il recommandé dans ce cas de ne pas débrancher la batterie et de redoubler de vigilance afin de ne pas provoquer un court-circuit.

3. Afin de prévenir tout risque de court-circuit isoler tous les fils dénudés.
4. Fixer tous les fils lâches après installation de l'appareil.
5. **Premièrement, raccorder le cordon prolongateur ① (fourni)(Voir à la page 32.) au changeur, puis raccorder les connecteurs RCA et le connecteur DIN à 8 broches du cordon prolongateur au récepteur/lecteur de cassettes. Enfin, raccorder le câble de la batterie à une source d'alimentation stable.**
6. Lire attentivement les manuels d'utilisation et d'installation afférents à chaque appareil avant d'effectuer les raccordements.
7. N'utiliser la touche de rétablissement que si l'appareil ne répond à aucune autre commande. Si l'anomalie persiste, communiquer avec un installateur professionnel.

❑ Quincaillerie

	Description	Qté
①	Boulon hexagonal avec rondelles doubles (M5 x 10)	4
②	Support de base	2
③	Écrou hexagonal (M5)	4
④	Plaque de montage (G)	1
⑤	Plaque de montage (D)	1
⑥	Bande adhésive double face	2

Installation (suite)

☐ Choix de l'emplacement


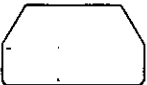
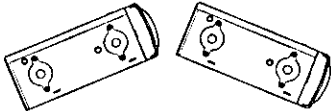
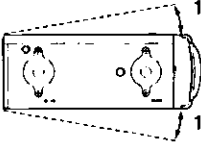
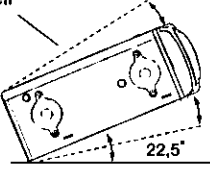
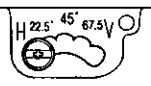
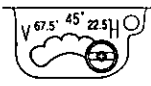
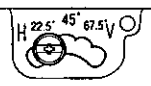
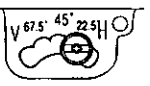
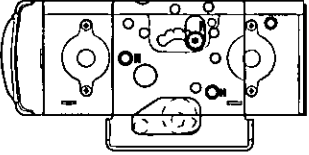
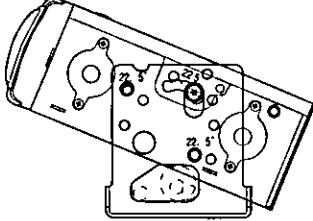
Ne pas installer l'appareil sur la plage arrière de la voiture où la température peut devenir excessivement élevée. Se conformer aux instructions de montage afin de prévenir tout problème de fonctionnement. Il est également recommandé de ne pas installer l'appareil dans les endroits suivants.

- Là où l'appareil serait susceptible d'être exposé aux rayons directs du soleil ou à proximité d'une source de chaleur.
- Là où l'appareil serait instable ou soumis à des vibrations.
- Là où l'humidité est élevée ou dans un endroit où la saleté et la poussière pourraient s'accumuler.

NOTA

S'assurer de bien serrer les vis après l'installation. S'assurer que les vis des côtés gauche et droit sont bien en place.

Installation et angle de montage

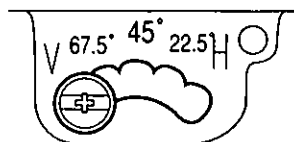
	À l'horizontale		Inclinaison de 22,5°	
Installation	<p>CORRECTE</p>  <p>Position normale</p>	<p>INCORRECTE</p>  <p>Position inversée</p>	<p>CORRECTE</p> 	
Angle	 <p>10° maximum</p> <p>10° maximum</p>		<p>Dessus de l'appareil</p>  <p>22,5°</p>	
Position de la vis V-H	 <p>22,5°</p>	 <p>22,5°</p>	 <p>22,5°</p>	 <p>22,5°</p>
Position des orifices des vis de la plaque de montage				

L'appareil peut être installé à l'horizontale, incliné à 22,5°, 45°, 67,5° ou verticalement. Se reporter aux illustrations ci-dessous pour les angles de montage.

□ Ajustement de la vis angulaire V-H

Desserrer les deux vis V-H, sur les côtés droit et gauche du changeur, puis les faire glisser à la position V, H, 22,5°, 45° ou 67,5°. (Ces vis sont réglées à la position H avant livraison.)

- À l'horizontale : Faire glisser les vis à la position H.
- Inclinaison de 22,5° : Faire glisser les vis à la position 22,5°.
- Inclinaison de 45° : Faire glisser les vis à la position 45°.
- Inclinaison de 67,5° : Faire glisser les vis à la position 67,5°.
- À la verticale : Faire glisser les vis à la position V.



Sur le côté droit

Inclinaison de 45°		Inclinaison de 67,5°		À la verticale	
CORRECTE	INCORRECTE	CORRECTE	INCORRECTE	CORRECTE	INCORRECTE
<p>10° maximum</p> <p>Dessus de l'appareil</p> <p>10° maximum</p> <p>45°</p>		<p>10° maximum</p> <p>Dessus de l'appareil</p> <p>10° maximum</p> <p>67,5°</p>		<p>Ne pas incliner</p> <p>Dessus de l'appareil</p> <p>10° maximum</p>	
Côté gauche	Côté droit	Côté gauche	Côté droit	Côté gauche	Côté droit

Installation (suite)

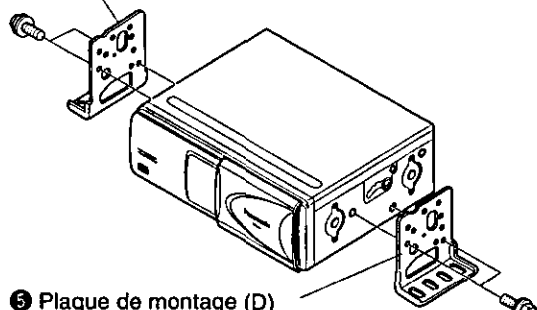
Options de montage

Installation à l'horizontale

Si l'appareil est installé à un angle de 22,5°, mettre les capuchons protecteurs à la même position que pour le montage à l'horizontale. Si l'appareil est installé à un angle de 67,5°, les mettre à la même position que pour le montage à la verticale.

- 1** Fixer les plaques de montage sur les deux côtés de l'appareil avec des boulons hexagonaux avec rondelles doubles (M5 x 10).

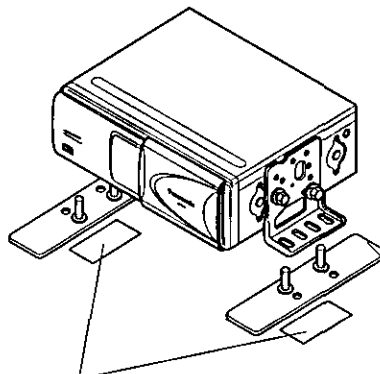
④ Plaque de montage (G)



⑤ Plaque de montage (D)

① Boulon hexagonal avec rondelles doubles (M5 x 10) x 4

- 2** Sélectionner un emplacement pour installer l'appareil sur la moquette.

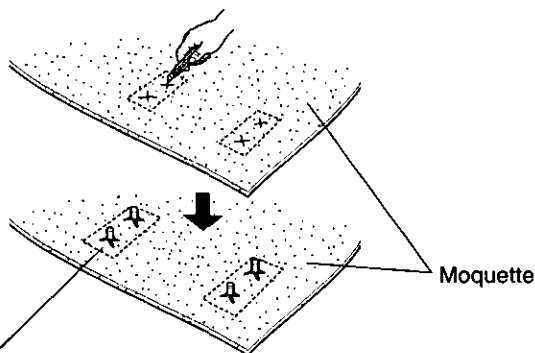


② Support de base x 2

⑥ Bande adhésive double face x 2

- Installer l'appareil avec 2 bandes adhésives à double face ⑥.

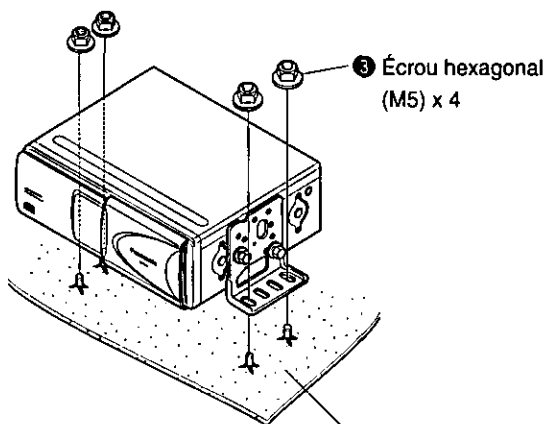
- 3** Découper la moquette en croix avec le couteau.



② Support de base

- Installer les supports de base et les bandes adhésives à double face sous la moquette.

- 4** Installer l'appareil avec 4 écrous hexagonaux ④.

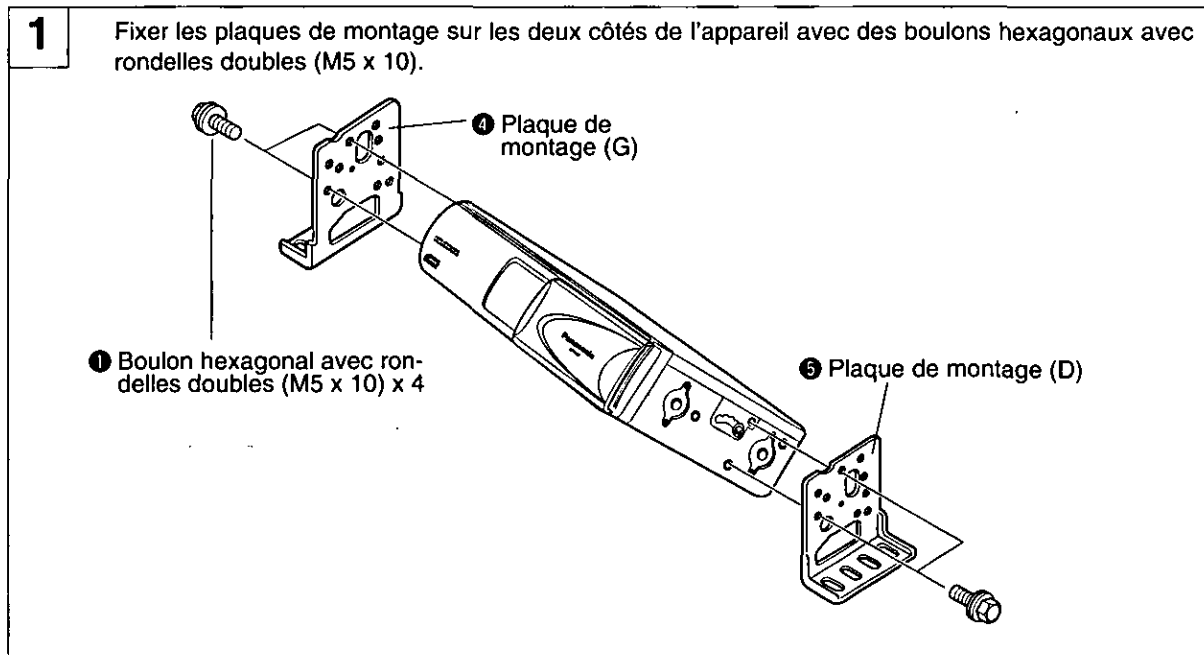


④ Écrou hexagonal (M5) x 4

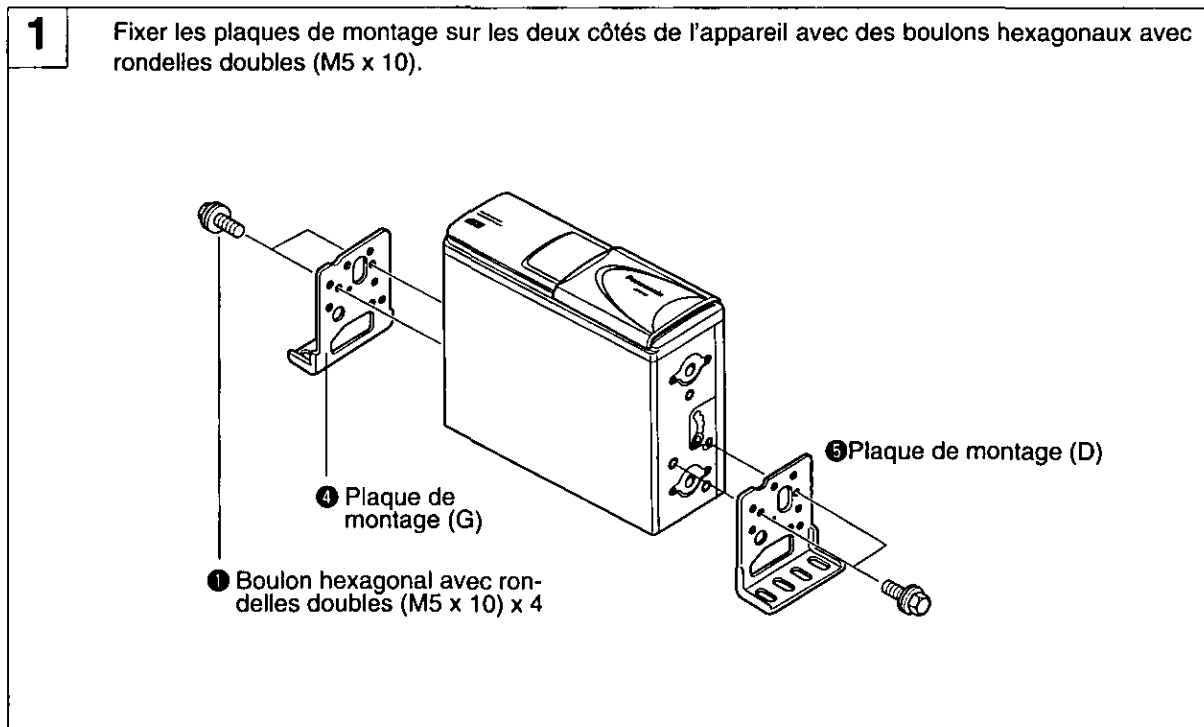
Moquette

Inclinaison de 45°

Que l'appareil soit installé à un angle de 22,5° ou 67,5°, utiliser les orifices des plaques de montage convenant le mieux à l'angle choisi.



Installation à la verticale



Les étapes 2, 3 et 4 de l'installation à l'angle ou à la verticale sont presque identiques à celles de l'installation à l'horizontale.

Connexions électriques

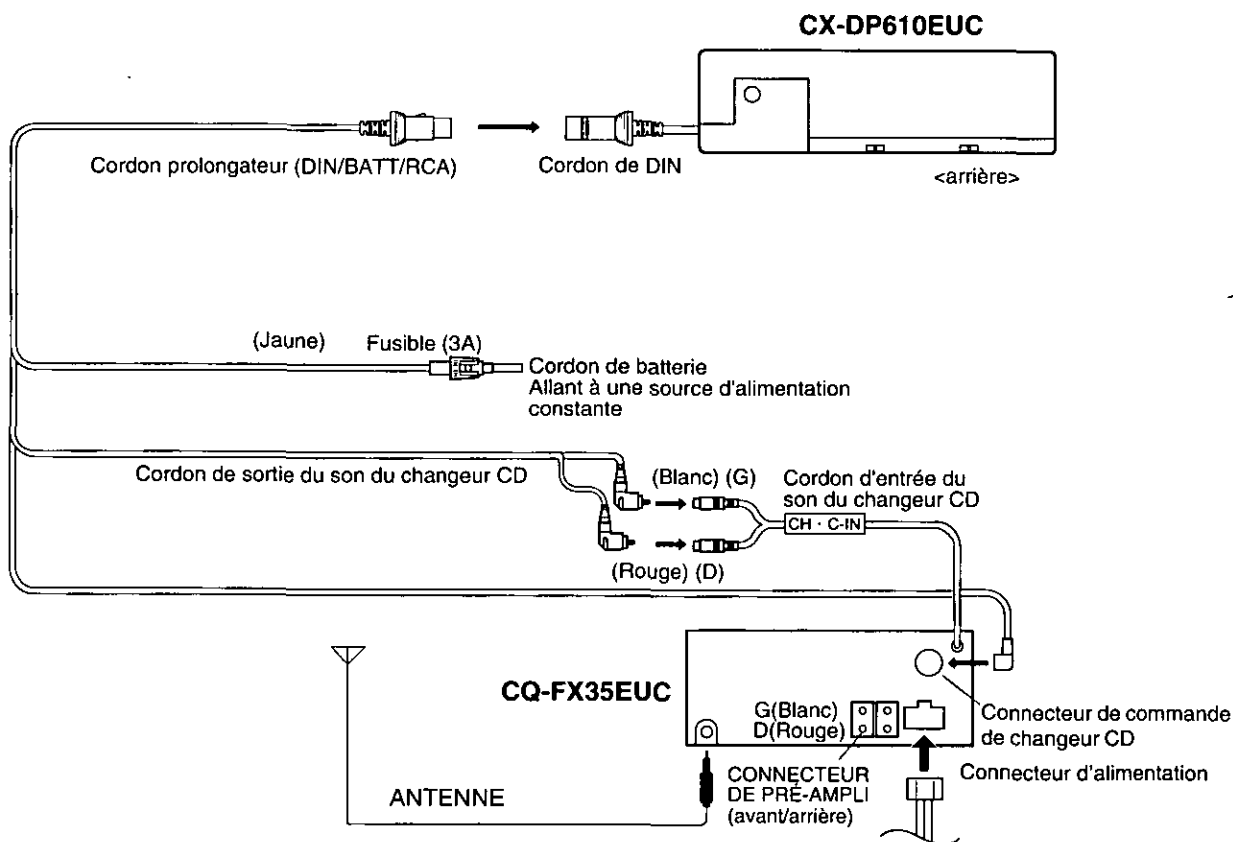
- Cet appareil ne doit être utilisé qu'avec un système de batterie (de voiture) 12 volts c.c. avec masse négative.
- Suivre les indications données par le schéma de câblage. Sinon, l'appareil peut être endommagé.
- Brancher d'abord le cordon ① avec le changeur CD et connecter ensuite les connecteurs RCA et le connecteur DIN à 8 broches du cordon aux prises correspondantes du récepteur/lecteur de cassettes. Brancher enfin le cordon de la batterie avec une source d'alimentation constante.
- Lire attentivement les instructions d'utilisation et d'installation des équipements respectifs avant de les connecter à cet appareil.

Pour de plus amples détails, consulter un détaillant Panasonic.

Avec récepteur /lecteur de cassettes avec unité de contrôle de changeur (CQ-FX35EUC).

Accessoires de câblage

	Description	Qté
①	Cordon prolongateur (DIN/BATT/RCA)	1



Attention

Ce changeur CD n'est pas muni d'un fil de terre. Raccorder le fil de terre de l'appareil principal (tel que CQ-FX35EUC, etc.) à la partie métallique mise à la terre du véhicule.

Généralités

☐ Remarques sur les disques numériques

N'utiliser que des disques sur lesquels est apposée cette étiquette

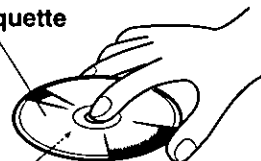


- Manipuler les disques avec soin.
- Conserver les disques propres.
- Ne pas rayer ni placer de collants sur les disques.
- Ne pas plier les disques.
- Après usage, remettre les disques dans leur coffret.
- Ne pas placer les disques :
 1. au soleil ;
 2. dans un endroit sale, poussiéreux ou humide ;
 3. près d'une source de chaleur ;
 4. sur les banquettes ou le tableau de bord.

Nettoyage des disques

Nettoyer les disques avec un chiffon doux et sec. Si le disque est très sale, le nettoyer avec un chiffon doux humecté d'alcool à friction. Ne jamais utiliser de solvants d'aucune sorte.

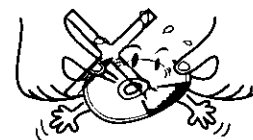
Étiquette



Étiquette vers le haut



Ne pas toucher le dessous du disque.



Ne pas tordre le disque.

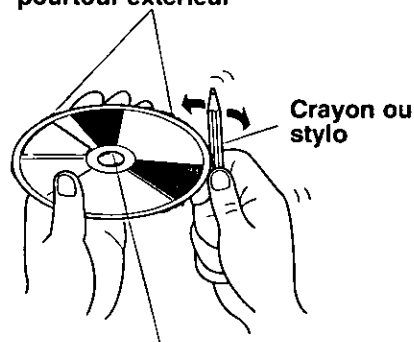


Essuyer le disque en partant du centre vers les bords extérieurs

☐ Précautions à prendre avec des disques neufs

Les pourtours intérieur et extérieur de certains disques neufs peuvent être quelque peu rugueux. La présence de telles rugosités peut amener le lecteur à éjecter les disques. Éliminer ces rugosités en frottant les pourtours avec un crayon ou un stylo de la manière illustrée.

Rugosités sur pourtour extérieur



Rugosités sur pourtour intérieur

Accessoires

- 1 magasin de disques (CA-MP600D)
- Manuel d'utilisation et d'installation
- Carte d'homologation de la garantie
- Liste des centres de service Panasonic agréés.
- Nécessaire d'installation (1).
- Magasins supplémentaires disponibles auprès des détaillants de Panasonic.

Données techniques

Divers	
Alimentation	12 V c.c. (11 - 16 V), tension d'essai 14,4 V négatif à la masse
Consommation du courant	Moins de 1 A (mode lecture)
Dimensions (approx.)	
Changeur	240 x 67 x 166 mm (9-7/16 po x 2-5/8 po x 6-9/16 po)
Magasin	121,5 x 30 x 131 mm (4-5/16 po x 1-3/16 po x 5-3/16 po)
Poids (approx.)	
Changeur	2,2 kg (4 lb, 14 oz)
Magasin	0,15 kg (6 oz)
Magasin à disques	CA-MP600D (fourni)
Changeur de disques audionumériques	
Impédance en charge	Plus de 10 kilohms
Tension de sortie	2 V eff. (1 kHz, 0 dB)
Impédance de sortie	600 ohms
Canaux	2 canaux
Réponse de fréquence	5 Hz à 20 000 Hz \pm 1 dB
Rapport signal/bruit	96 dB
Distorsion harmonique totale	0,006% (1 kHz)
Pleurage/scintillement	Incommensurable
Fréquence d'échantillonnage	Échantillonnage 8 fois
Système de correction d'erreur	Super algorithme de décodage Panasonic
Convertisseur n-a	Système MASH à 1 bit
Système de lecture	Astigmatique à 1 faisceau
Source du faisceau	Laser à semi-conducteur
Longueur d'onde	780 nm

Remarque: Aux fins d'améliorations, les caractéristiques et la conception sont susceptibles à des modifications sans préavis.

**Matsushita Consumer Electronics
Company, Division of Matsushita
Electric Corporation of America**
One Panasonic Way, Secaucus,
New Jersey 07094

**Panasonic Sales Company.
Division of Matsushita Electric of
Puerto Rico, Inc. ("PSC")**
Ave. 65 de Infanteria, Km. 9.5
San Gabriel Industrial Park, Carolina,
Puerto Rico 00985

Panasonic Canada Inc.
5770 Ambler Drive,
Mississauga, Ontario L4W 2T3

YEFM283367

B0499-1059

Printed in Japan
Imprimé au Japon

Free Manuals Download Website

<http://myh66.com>

<http://usermanuals.us>

<http://www.somanuals.com>

<http://www.4manuals.cc>

<http://www.manual-lib.com>

<http://www.404manual.com>

<http://www.luxmanual.com>

<http://aubethermostatmanual.com>

Golf course search by state

<http://golfingnear.com>

Email search by domain

<http://emailbydomain.com>

Auto manuals search

<http://auto.somanuals.com>

TV manuals search

<http://tv.somanuals.com>