

Service Manual

Cordless Drill & Driver

EY6101

Simplified

Please file and use this manual together with the service manual for Model No. EY6100-EY6181, Order No. MEW/PTD 9309-6100.

SPECIFICATIONS

DRILL/DRIVER

Motor voltage	: 12V DC
No load speed	LOW : 50 ~ 350 min ⁻¹ (RPM) HIGH : 180 ~ 1,300 min ⁻¹ (RPM)
Chuck capacity	: 1.0 ~ 13.0 mm
Maximum torque	LOW : 199in. lbs (230kg-cm, 22.5Nm) HIGH : 52in. lbs (60kg-cm, 5.9Nm)
Maximum clutch torque	: 39in. lbs. (45kg-cm, 4.4Nm)
Overall length	: 229mm
Mass (Weight)	: 1.95kg

BATTERY PACK

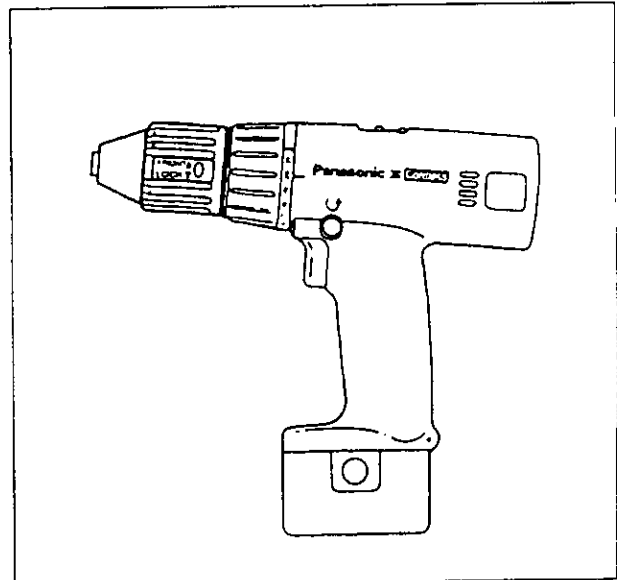
Storage battery	: Ni-Cd battery
Battery voltage	: 12V DC (1.2V × 10 cells)

BATTERY CHARGER

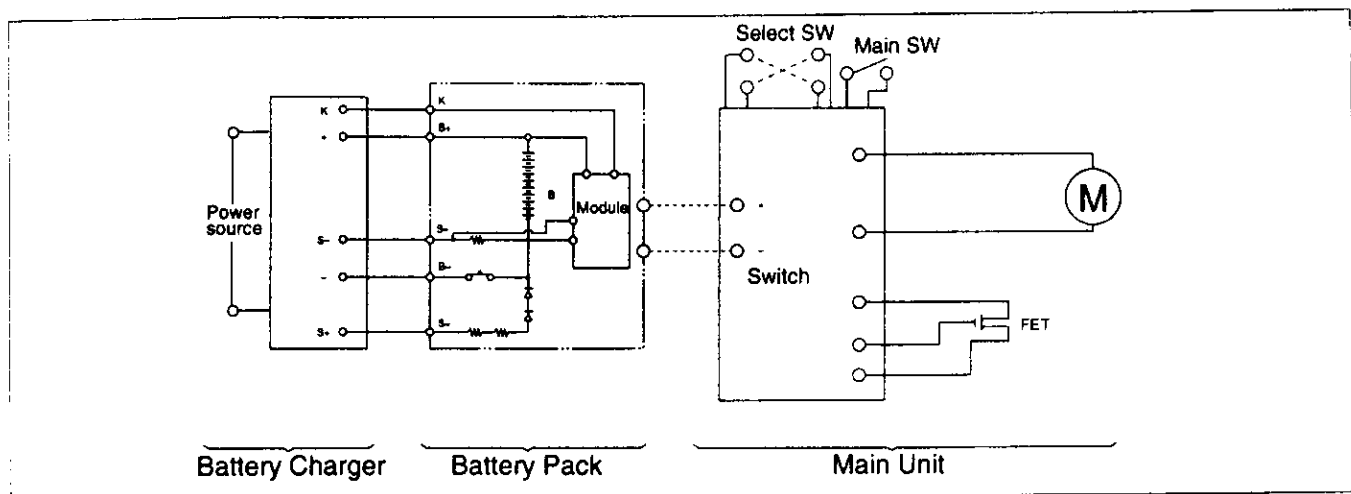
Input	: 120, 230, 240V AC	separately available
Mass (Weight)	: 0.66kg (1.45lbs.)	

STANDARD EQUIPMENT

Battery charger , Battery pack



SCHEMATIC DIAGRAM



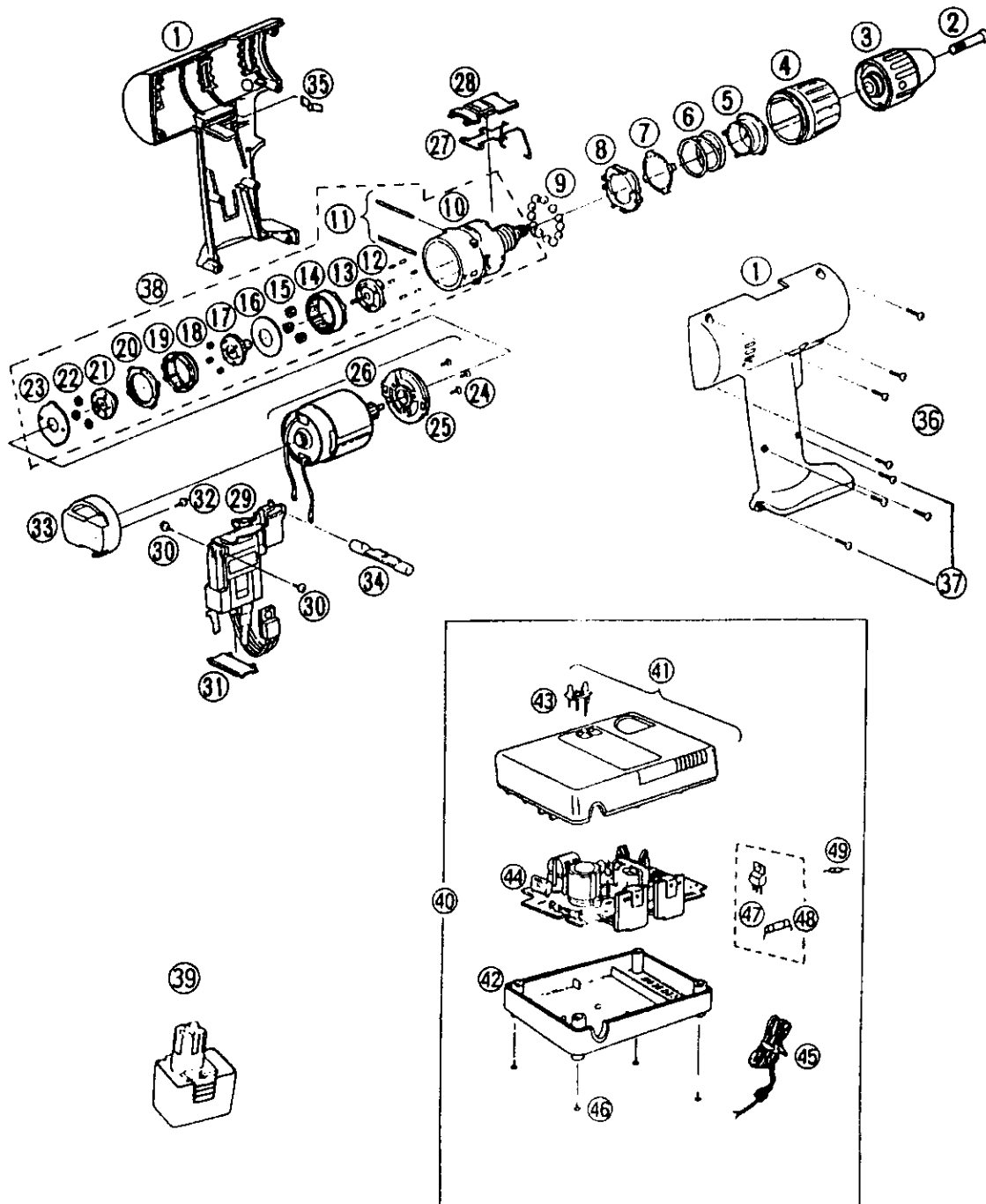
© 1995 Matsushita Electric Works, Ltd.
All rights reserved. Unauthorized copying and distribution is a violation of law.

Panasonic

⚠ WARNING

This service literature is designed for experienced repair technicians only and is not designed for use by the general public. It does not contain warnings or cautions to advise non-technical individuals of potential dangers in attempting to service a product. Products powered by electricity should be serviced or repaired only by experienced professional technicians. Any attempt to service or repair the product or products dealt with in this service information by anyone else could result in serious injury or death.

EXPLODED VIEW



REPLACEMENT PARTS LIST

Note : *A ... available as an optional accessory
 *B ... only available as set

*C ... available individually

Ref No.	Parts No.	Parts Name & Descriptions	Per set	Remarks
1	EY6101K3079	HOUSING AB SET	1	
2	EY6207B6807	CHUCK FASTENING SCREW	1	
3	EY6207B7917	KEYLESS DRILL CHUCK	1	
4	EY6481H3227	CLUTCH HANDLE	1	
5	EY6481L0637	ADJUSTING SCREW	1	
6	EY6100L0168	SPRING FOR CLUTCH	1	
7	EY6481L0457	CLICK PLATE	1	
8	EYT184L0577	CLUTCH PLATE	1	
9	EY560B6967	STEEL BALL	12	*B
10	EY6481L1067	DRIVING BLOCK	1	
11	EY6481L0357	THRUST PIN SET	2	*B
12	EY6283L0377	ROLLER PIN	6	*B
13	EY6207B1117	CARRIER	1	
14	EY560B1457	RING GEAR A	1	
15	EY6207B1347	PLANET GEAR SET	3	*B
16	EY6200B0857	THRUST PLATE	1	
17	EY6401L1357	CARRIER	1	
18	EY6200B1357	PLANET GEAR A	3	*B
19	EY6101L1457	RING GEAR A	1	
20	EY6481L1467	RING GEAR B	1	
21	EY6401B1107	CARRIER A	1	
22	EY6200B1367	PLANET GEAR B	3	*B
23	EY6481L0887	THRUST PLATE	1	
24	EY6261B6027	SCREW FOR MOTOR	3	*C
25	EY6481L0027	MOTOR MOUNTING PLATE	1	
26	EY6101L1008	MOTOR	1	
27	EY6481L0187	CHANGE-GEAR SPRING	1	
28	EY6481H3237	CHANGE-GEAR HANDLE	1	
29	EY6100Y2008	SWITCH BLOCK	1	
30	EY6207Y6027	SCREW	2	*C
31	EY6481L0207	DUST PREVENTIVE PLATE	1	
32	EY6780L6027	TAPPING SCREW	1	
33	EY6101L2567	RADIATING PLATE (W/SCREW)	1	
34	EY6481H3247	SELECTOR HANDLE	1	
35	EY6481L0177	CLICK SPRING	1	
36	EY6100K9068	TAPPING SCREW	6	*C
37	EY6101K9618	TAPPING SCREW	2	*C
38	EY6100L1458	GEAR BOX BLOCK	1	
39	EY9103	BATTERY PACK	1	*A
40	EY0202	BATTERY CHARGER	1	*A
41	EY0202B3098	HOUSING A FOR CHARGER	1	
42	EY0202B3028	HOUSING B FOR CHARGER	1	
43	EY0200C0547	LAMP COVER	1	
44	EY0202B2128	MODULE	1	
45	EY0202B2058	POWER CORD	1	
46	EY0001B6237	TAPPING SCREW FOR CHARGER	4	
47	EY0202B5258	FUSE	1	
48	EY0202B5028	FUSE & FET SET	1	
49	EY0202B5098	ZENER DIODE	1	
-	EY95928	TOOL CASE	1	

Free Manuals Download Website

<http://myh66.com>

<http://usermanuals.us>

<http://www.somanuals.com>

<http://www.4manuals.cc>

<http://www.manual-lib.com>

<http://www.404manual.com>

<http://www.luxmanual.com>

<http://aubethermostatmanual.com>

Golf course search by state

<http://golfingnear.com>

Email search by domain

<http://emailbydomain.com>

Auto manuals search

<http://auto.somanuals.com>

TV manuals search

<http://tv.somanuals.com>