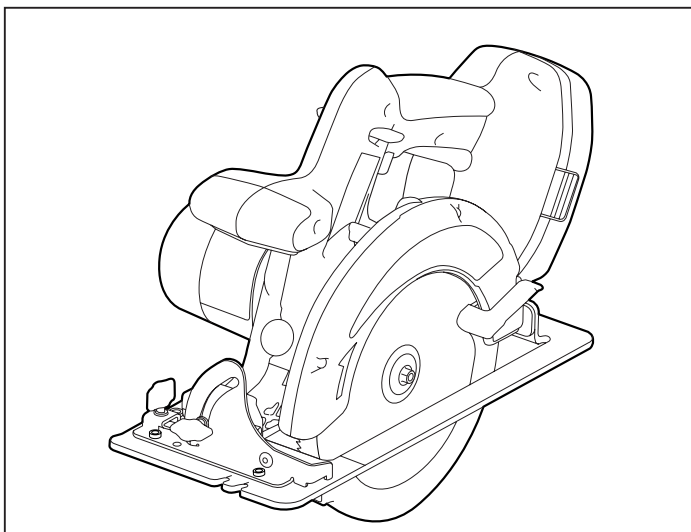


# Panasonic®

**Cordless Wood Saw**  
**Scie circulaire à bois rechargeable**  
**Sierra inalámbrica para madera**

**Operating Instructions**  
**Instructions d'utilisation**  
**Manual de instrucciones**

**Model No : EY3551**



## **IMPORTANT**

This manual contains safety information. Read manual completely before first using this product and save this manual for future use.

## **IMPORTANT**

Ce mode d'emploi contient des informations sur la sécurité. Lisez-le en entier avant d'utiliser le produit et conservez-le pour référence.

## **IMPORTANTE**

Este manual contiene información de seguridad. Lea completamente este manual antes de utilizar por primera vez este producto, y guárdelo para poder consultarlo en el futuro.

## Index/Index/Indice

English: Page 3

Français: Page 17

Español: Página 31

# FUNCTIONAL DESCRIPTION DESCRIPTION DES FONCTIONS DESCRIPCIÓN FUNCIONAL

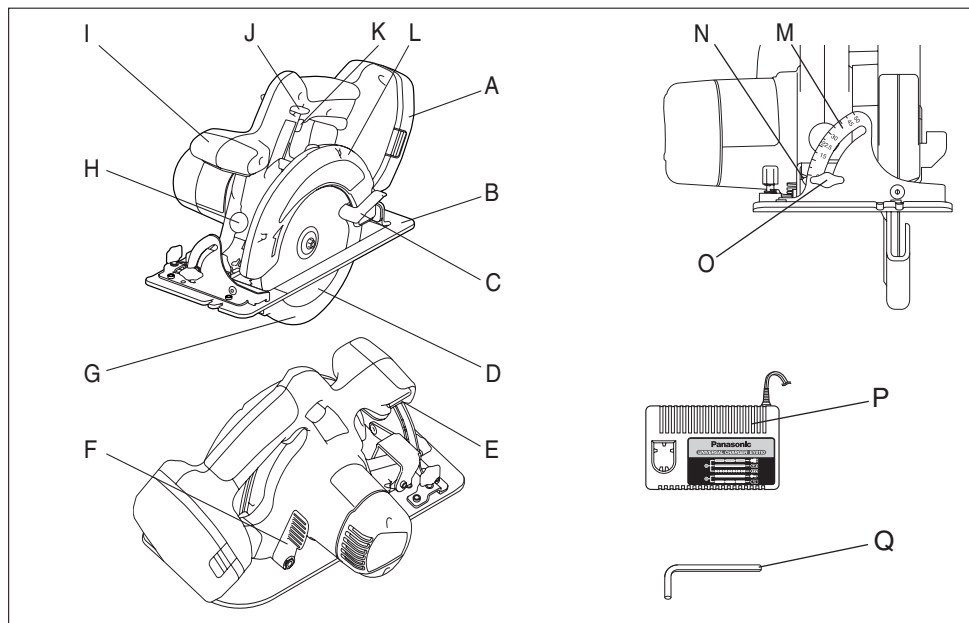


Fig. 1

A	Battery pack (EY9251)	Batterie autonome (EY9251)	Batería (EY9251)
B	Shoe	Sabot	Zapata
C	Lower guard lift lever	Levier de relevage de protège-lame inférieur	Palanca de elevación del protector inferior
D	Blade (EY9PW17A)	Lame de scie (EY9PW17A)	Cuchilla (EY9PW17A)
E	Storage slot for hex wrench	Fente de rangement de clé hexagonale	Ranura para guardar la llave hexagonal
F	Depth adjustment lever	Levier d'ajustement de la profondeur	Palanca de ajuste de profundidad
G	Lower guard	Protège-lame inférieur	Protector inferior
H	Spindle lock button	Bouton de verrouillage de broche	Botón de bloqueo del husillo
I	Front grip	Poignée avant	Empuñadura frontal
J	Switch lock lever	Levier de verrouillage d'interrupteur	Palanca de bloqueo del interruptor
K	Power switch	Interrupteur d'alimentation	Interruptor de alimentación
L	Upper blade cover	Couvercle de lame supérieur	Cubierta superior de la cuchilla
M	Bevel scale	Échelle de biseau	Escala biselada
N	Bevel pointer	Pointeur de biseau	Aguja de biselado
O	Bevel adjusting knob	Bouton d'ajustement de biseau	Perilla de ajuste de biselado
P	Battery charger (EY0110)	Chargeur de batterie (EY0110)	Cargador de batería (EY0110)
Q	Hex wrench	Clé hexagonale	Llave hexagonal

# I INTRODUCTION

Thank you for purchasing the Panasonic Wood Saw. The powerful cutting action of this saw, combined with the convenience of its rechargeable battery pack, provides you with great wood cutting performance.

This Wood Saw is only to be used for cutting wood.

## DANGER

This product is a cutting tool, designed to cut through wood. It has a rotating blade which is capable of cutting you deeply, causing serious injury or death. As a result, please read this manual and the cautionary markings on the tool carefully, and obey all of the Safety Instructions to avoid such injury.

## WARNING

To avoid injury, never insert your finger or any other object into any opening of the wood saw.

## How to Use This Manual

- Please read this manual completely before starting to cut with your wood saw. If you let someone else use the wood saw, make sure they either read this manual or are fully instructed in the proper use and all safety precautions concerning the wood saw.
- Please keep this manual for future reference. It contains important safety information that you must follow to use the wood saw safely.
- This manual and product use the following signal words:

### NOTE

Notes provide additional information that you should know about the wood saw.

### CAUTION

Caution indicates a potentially hazardous situation, which could result in minor or moderate injury if not avoided. Cautions also alert you to unsafe practices to be avoided.

### WARNING

Warning indicates a potentially hazardous situation, which could result in serious injury or death if not avoided.

### DANGER

Danger indicates a imminent hazard which will result in serious injury or death if not avoided.

# II SAFETY INSTRUCTIONS

## General Safety Rules

### WARNING! Read all instructions

Failure to follow all instructions listed below may result in electric shock, fire and/or serious injury. The term "power tool" in all of the warnings listed below refers to your mains operated (corded) power tool and battery operated (cordless) power tool.

## SAVE THESE INSTRUCTIONS

### Work Area Safety

- 1) **Keep work area clean and well lit.**  
Cluttered and dark areas invite accidents.
- 2) **Do not operate power tools in explosive atmospheres, such as in the presence of flammable liquids, gases or dust.**  
Power tools create sparks which may ignite the dust or fumes.
- 3) **Keep children and bystanders away while operating a power tool.**  
Distractions can cause you to lose control.

### Electrical Safety

- 1) **Power tool plugs must match the outlet. Never modify the plug in any way. Do not use any adapter plugs with earthed (grounded) power tools.**  
Unmodified plugs and matching outlets will reduce risk of electric shock.
- 2) **Avoid body contact with earthed or grounded surfaces such as pipes, radiators, ranges and refrigerators.**  
There is an increased risk of electric shock if your body is earthed or grounded.
- 3) **Do not expose power tools to rain or wet conditions.**  
Water entering a power tool will increase the risk of electric shock.
- 4) **Do not abuse the cord. Never use the cord for carrying, pulling or unplugging the power tool. Keep cord away from heat, oil, sharp edges or moving parts.**  
Damaged or entangled cords increase the risk of electric shock.
- 5) **When operating a power tool outdoors, use an extension cord suitable for outdoor use.**  
Use of a cord suitable for outdoor use reduces the risk of electric shock.

## Personal safety

- 1) **Stay alert, watch what you are doing and use common sense when operating a power tool. Do not use a power tool while you are tired or under the influence of drugs, alcohol or medication.**  
A moment of inattention while operating power tools may result in personal injury.
- 2) **Use safety equipment. Always wear eye protection.**  
Safety equipment such as dust mask, non-skid safety shoes, hard hat, or hearing protection used for appropriate conditions will reduce personal injuries.
- 3) **Avoid accidental starting. Ensure the switch is in the off position before plugging in.**  
Carrying power tools with your finger on the switch or plugging in the power tools that have the switch on invites accidents.
- 4) **Remove any adjusting key or wrench before turning the power tool on.**  
A wrench or a key left attached to a rotating part of the power tool may result in personal injury.
- 5) **Do not overreach. Keep proper footing and balance at all times.**  
This enables better control of the power tool in unexpected situations.
- 6) **Dress properly. Do not wear loose clothing or jewellery. Keep your hair, clothing and gloves away from moving parts.**  
Loose clothes, jewellery or long hair can be caught in moving parts.
- 7) **If devices are provided for the connection of dust extraction and collection facilities, ensure these are connected and properly used.**  
Use of these devices can reduce dust related hazards.

## Power tool use and care

- 1) **Do not force the power tool. Use the correct power tool for your application.**  
The correct power tool will do the job better and safer at the rate for which it was designed.
- 2) **Do not use the power tool if the switch does not turn it on and off.**  
Any power tool that cannot be controlled with the switch is dangerous and must be repaired.
- 3) **Disconnect the plug from the power source and/or the battery pack from the power tool before making any adjustments, changing accessories, or storing power tools.**  
Such preventive safety measures reduce the risk of starting the power tool accidentally.
- 4) **Store idle power tools out of the reach of children and do not allow persons unfamiliar with the power tool or these instructions to operate the power tool.**  
Power tools are dangerous in the hands of untrained users.

- 5) **Maintain power tools. Check for misalignment or binding of moving parts, breakage of parts and any other condition that may affect the power tools operation. If damaged, have the power tool repaired before use.**  
Many accidents are caused by poorly maintained power tools.
- 6) **Keep cutting tools sharp and clean.**  
Properly maintained cutting tools with sharp cutting edges are less likely to bind and are easier to control.
- 7) **Use the power tool, accessories and tool bits etc. in accordance with these instructions and in the manner intended for the particular type of power tool, taking into account the working conditions and the work to be performed.**  
Use of the power tool for operations different from those intended could result in a hazardous situation.

## Battery tool use and care

- 1) **Ensure the switch is in the off position before inserting battery pack.**  
Inserting battery pack into power tools that have the switch on invites accidents.
- 2) **Recharge only with the charger specified by the manufacturer.**  
A charger that is suitable for one type of battery pack may create a risk of fire when used with another battery pack.
- 3) **Use power tools only with specifically designated battery packs.**  
Use of any other battery packs may create a risk of injury and fire.
- 4) **When battery pack is not in use, keep it away from other metal objects like paper clips, coins, keys, nails, screws, or other small metal objects that can make a connection from one terminal to another.**  
Shorting the battery terminals together may cause burns, or a fire.
- 5) **Under abusive conditions, liquid may be ejected from battery; avoid contact. If contact accidentally occurs, flush with water. If liquid contacts eyes, additionally seek medical help.**  
Liquid ejected from the battery may cause irritation or burns.

## Service

- 1) **Have your power tool serviced by a qualified repair person using only identical replacement parts.**  
This will ensure that the safety of power tool is maintained.

## **WARNING**

To reduce the risk of injury, user must read instruction manual.

# Safety Instructions for All Saws

## **DANGER**

- **Keep hands away from cutting area and the blade. Keep your second hand on auxiliary handle, or motor housing.** If both hands are holding the saw, they cannot be cut by the blade.
- **Do not reach underneath the workpiece.** The guard cannot protect you from the blade below the workpiece.
- **Adjust the cutting depth to the thickness of the workpiece.** Less than a full tooth of the blade teeth should be visible below the workpiece.
- **Never hold piece being cut in your hands or across your leg. Secure the workpiece to a stable platform.** It is important to support the work properly to minimize body exposure, blade binding, or loss of control.
- **Hold power tool by insulated gripping surfaces when performing an operation where the cutting tool may contact hidden wiring or its own cord.** Contact with a "live" wire will also make exposed metal parts of the power tool "live" and shock the operator.
- **When ripping always use a rip fence or straight edge guide.** This improves the accuracy of cut and reduces the chance of blade binding.
- **Always use blades with correct size and shape (diamond versus round) of arbour holes.** Blades that do not match the mounting hardware of the saw will run eccentrically, causing loss of control.
- **Never use damaged or incorrect blade washers or bolt.** The blade washers and bolt were specially designed for your saw, for optimum performance and safety of operation.

# Further Safety Instructions for All Saws

## Causes and operator prevention of kickback:

- kickback is a sudden reaction to a pinched, bound or misaligned saw blade, causing an uncontrolled saw to lift up and out of the workpiece toward the operator;
- when the blade is pinched or bound tightly by the kerf closing down, the blade stalls and the motor reaction drives the unit rapidly back toward the operator;
- if the blade becomes twisted or misaligned in the cut, the teeth at the back edge of the blade can dig into the top surface of the wood causing the blade to climb out of the kerf and jump back toward the operator.

Kickback is the result of saw misuse and/or incorrect operating procedures or conditions and can be avoided by taking proper precautions as given below.

- 1) **Maintain a firm grip with both hands on the saw and position your arms to resist kickback forces. Position your body to either side of the blade, but not in line with the blade.**  
Kickback could cause the saw to jump backwards, but kickback forces can be controlled by the operator, if proper precautions are taken.
- 2) **When blade is binding, or when interrupting a cut for any reason, release the trigger and hold the saw motionless in the material until the blade comes to a complete stop. Never attempt to remove the saw from the work or pull the saw backward while the blade is in motion or kickback may occur.**  
Investigate and take corrective actions to eliminate the cause of blade binding.
- 3) **When restarting a saw in the workpiece, center the saw blade in the kerf and check that saw teeth are not engaged into the material.**  
If saw blade is binding, it may walk up or kickback from the workpiece as the saw is restarted.
- 4) **Support large panels to minimize the risk of blade pinching and kickback.**  
Large panels tend to sag under their own weight. Supports must be placed under the panel on both sides, near the line of cut and near the edge of the panel.
- 5) **Do not use dull or damaged blades.**  
Unsharpened or improperly set blades produce narrow kerf causing excessive friction, blade binding and kickback.


- 6) **Blade depth and bevel adjusting locking levers must be tight and secure before making cut.**  
If blade adjustment shifts while cutting, it may cause binding and kickback.
- 7) **Use extra caution when making a “plunge cut” into existing walls or other blind areas.**  
The protruding blade may cut objects that can cause kickback.

## Safety Instructions for This Saw

- 1) **Check lower guard for proper closing before each use. Do not operate the saw if lower guard does not move freely and close instantly. Never clamp or tie the lower guard into the open position.**  
If saw is accidentally dropped, lower guard may be bent. Raise the lower guard with the Lower Guard Lift Lever and make sure it moves freely and does not touch the blade or any other part, in all angles and depths of cut.
- 2) **Check the operation of the lower guard spring. If the guard and the spring are not operating properly, they must be serviced before use.**  
Lower guard may operate sluggishly due to damaged parts, gummy deposits, or a build-up of debris.
- 3) **Lower guard should be retracted manually only for special cuts such as “plunge cuts” and “compound cuts.” Raise lower guard by Lower Guard Lift Lever and as soon as blade enters the material, the lower guard must be released.**  
For all other sawing, the lower guard should operate automatically.
- 4) **Always observe that the lower guard is covering the blade before placing saw down on bench or floor.**  
An unprotected, coasting blade will cause the saw to walk backwards, cutting whatever is in its path. Be aware of the time it takes for the blade to stop after switch is released.
- 5) **Do not use any abrasive wheels.**
- 6) **Wear a dust mask, if the work causes dust.**
- 7) **Use saw blades recommended by Manufacturer.**
- 8) **Wear ear protectors when using the tool for extended periods.**
- 9) **The risk of kickback increases as the battery pack discharges.**
- 10) **Be sure to inspect material. Avoid cutting bolts, nails or other different material.**
- 11) **Be careful not to drop Wood Saw.**
- 12) **Never swing Wood Saw.**

- 13) **Never cover the ventilation slots, and keep them free from dust or other material.**
- 14) **Do not clamp Wood Saw in a vise. Never cut with Wood Saw held upside down in a vise. This is extremely dangerous and can lead to serious accidents.**
- 15) **Never wear knitted gloves.**
- 16) **Be sure no one is below when using Wood Saw in high locations.**
- 17) **Do not touch the blade immediately after operation. It may be hot and could burn your skin.**
- 18) **Do not remove the lower guards. If the lower guards is damaged or missing, return tool to authorized service center for replacement.**
- 19) **Do not start the blade when in contact with workpiece. Wait for blade to reach full speed before beginning cut.**

## Symbol

Symbol	Meaning
V	Volts
	Direct current
$n_0$	No load speed
... / min	Revolutions or reciprocations per minute
A	Amperes

### **⚠ WARNING:**

Some dust created by power sanding, sawing, grinding, drilling, and other construction activities contains chemicals known to the State of California to cause cancer, birth defects or other reproductive harm.

Some examples of these chemicals are:

- \* Lead from lead-based paints
- \* Crystalline silica from bricks and cement and other masonry products
- \* Arsenic and chromium from chemically-treated lumber.

To reduce your exposure to these chemicals: work in a well ventilated area, and work with approved safety equipment, such as dust masks that are specially designed to filter out microscopic particles.

## **For Battery Charger & Battery Pack**

### **Important Safety Instructions**

#### **1) SAVE THESE INSTRUCTIONS-**

This manual contains important safety and operating instructions for battery charger EY0110.

2) Before using battery charger, read all instructions and cautionary markings on battery charger, battery pack, and product using battery pack.

3) **CAUTION-**To reduce the risk of injury, charge only Panasonic Battery Pack as shown in last page. Other types of batteries may burst causing personal injury and damage.

4) Do not expose charger and battery pack to rain or snow.

5) To reduce risk of damaging the electric plug and cord, pull by plug rather than cord when disconnecting charger.

6) Make sure cord is located so that it will not be stepped on, tripped over, or otherwise subjected to damage or stress.

7) An extension cord should not be used unless absolutely necessary.

Use of improper extension cord could result in a risk of fire and electric shock. If extension cord must be used, make sure:

- a. that pins on plug of extension cord are the same number, size and shape as those of plug on charger.
- b. that extension cord is properly wired and

in good electrical condition.

- c. that wire size is large enough for ampere rating of charger as specified below.

#### **RECOMMENDED MINIMUM AWG SIZE OF EXTENSION CORDS FOR BATTERY CHARGERS**

AC Input Rating.	Amperes	AWG Size of Cord			
Equal to or greater than	But less than	Length of Cord, Feet			
0	2	18	18	18	16

- 8) Do not operate charger with damaged cord or plug — replace them immediately.
- 9) Do not operate charger if it has received a sharp blow, been dropped, or otherwise damaged in any way; take it to a qualified service personnel.
- 10) Do not disassemble charger; take it to a qualified service personnel when service or repair is required. Incorrect reassembly may result in a risk of electric shock or fire.
- 11) To reduce the risk of electric shock, unplug charger from outlet before attempting any maintenance or cleaning.
- 12) The charger and battery pack are specifically designed to work together.  
Do not attempt to charge any other cordless tool or battery pack with this charger.
- 13) Do not attempt to charge the battery pack with any other charger.
- 14) Do not attempt to disassemble the battery pack housing.
- 15) Do not store the tool and battery pack in locations where the temperature may reach or exceed 50°C (122°F) (such as a metal tool shed, or a car in the summer), which can lead to deterioration of the storage battery.
- 16) Do not charge battery pack when the temperature is BELOW 0°C (32°F) or ABOVE 40°C (104°F). This is very important in order to maintain optimal condition of the battery pack.
- 17) Do not incinerate the battery pack. It can explode in a fire.
- 18) Avoid dangerous environment. Do not use charger in damp or wet locations.
- 19) The charger is designed to operate on standard household electrical power only. Do not attempt to use it on any other voltage!
- 20) Do not abuse cord. Never carry charger by cord or yank it to disconnect from outlet. Keep cord away from heat, oil and sharp edges.
- 21) Charge the battery pack in a well ventilated place, do not cover the charger and bat-

tery pack with a cloth, etc., while charging.

22) Use of an attachment not recommended may result in a risk of fire, electric shock, or personal injury.

23) Do not short the battery pack. A battery short can cause a large current flow, over heating and create the risk of fire or personal injury.

24) NOTE: If the supply cord of this appliance is damaged, it must only be replaced by a repair shop authorized by the manufacturer, because special purpose tools are required.

25) TO REDUCE THE RISK OF ELECTRIC SHOCK, THIS APPLIANCE HAS A POLARIZED PLUG (ONE BLADE IS WIDER THAN THE OTHER).

This plug will fit in a polarized outlet only one way. If the plug does not fit fully in the outlet, reverse the plug. If it still does not fit, contact a qualified electrician to install the proper outlet.

Do not change the plug in any way.

### III. SETTING UP

#### Charging Battery Pack EY9251

Charge the battery pack when the cutting speed becomes too slow for effective cutting.

If you have two battery packs, you can use one to continue working while charging the other one.

#### NOTE:

When you charge the battery pack for the first time, or after prolonged storage, charge it for about 24 hours to bring the battery up to full capacity.

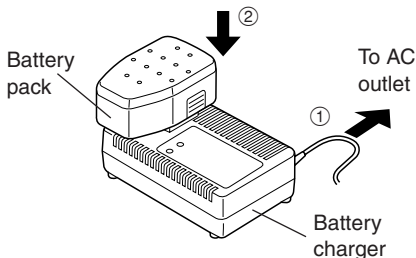
#### Battery charger (EY0110)

1. Plug the charger into the AC outlet.

#### NOTE:

Sparks may be produced when the plug is inserted into the AC power supply, but this is not a problem in terms of safety.

2. Insert the battery pack firmly into the charger.



3. During charging, the charging lamp will be lit. When charging is completed, an internal electronic switch will automatically be triggered to prevent overcharging.

- Charging will not start if the battery pack is warm (for example, immediately after heavy-duty operation).

The orange standby lamp will be lit until the battery cools down. Charging will then begin automatically.

4. When charging is completed, the charging lamp will start flashing quickly in green color.

5. When in any of the conditions that battery pack is too cool, or the battery pack has not been used for a long time, the charging lamp is lit. In this case, charging takes longer to fully charge the battery pack, than the standard charging time.

- If a fully charged battery pack is inserted into the charger again, the charging lamp lights up. After several minutes, the charging lamp may flash quickly to indicate the charging is completed.

6. If the charging lamp does not light immediately after the charger is plugged in, or if after the standard charging time the lamp does not go off, consult an authorized dealer.

#### NOTE:

- When charging a cool battery pack (below 5°C (41°F)) in a warm place, leave the battery pack at the place and wait for more than one hour to warm up the battery to the level of the ambient temperature. Otherwise battery pack may not be fully charged.

- Cool down the charger when charging more than two battery packs consecutively.

- Do not insert your fingers into contact hole, when holding charger or any other occasions.

#### CAUTION:

To prevent damage or risk of fire:

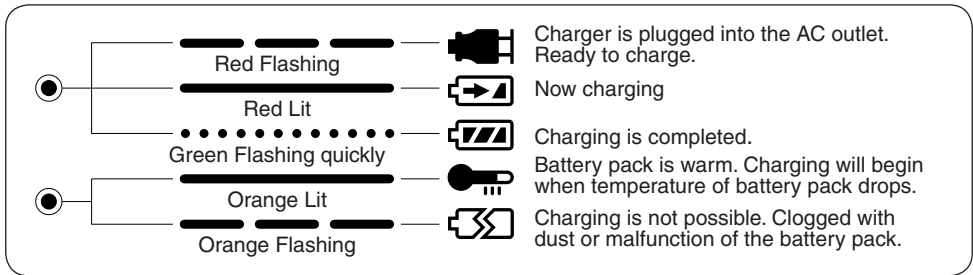
- Do not use power source from an engine generator.

- Do not cover vent holes on the charger and the battery pack.

- Unplug the charger when not in use.



## Lamp Indications



## Inserting Battery Pack

### CAUTION:

Before inserting battery pack, check that the power switch in the Wood Saw actuates properly and returns to the "OFF" position when released.

#### 1. To insert the battery pack: (See Fig.2)

Slide the battery pack in place at the rear of the wood saw. The battery should snap into place. If the battery is loose, it has not been properly connected.

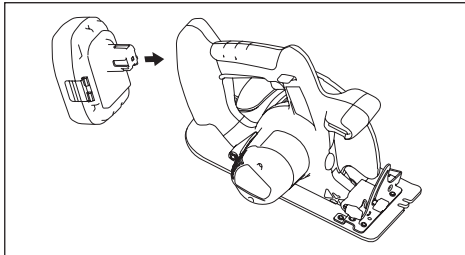


Fig. 2

#### 2. To remove the battery pack:

Press the two tabs on the sides of the battery pack. Slide the battery pack out of the wood saw body.

## IV. OPERATION

### Before Using Wood Saw

This tool is intended for cutting wood. Refer to the "Accessories" section for a list of blades to be used for the proper applications of this tool. The following precautions must be followed to reduce the risk of injury;

- Do not cut stacked materials. Cut one piece at a time.
- Do not cut metals.

- Cut materials with the wider edge of the shoe over the clamped side of the material.
- Do not touch the saw blade with bare hands immediately after cutting; it may be hot and could burn skin.

Each time you use the wood saw, you must make sure it is in good operating condition.

Use the following checklist:

1. Is the blade installed in the correct direction?  
The arrow on the blade must point in the same direction as the arrow on the upper blade cover.
2. Is the blade installed properly?  
Make sure the hex bolt is tightened securely. (See Fig.14)
3. Does the blade look alright?  
Replace the blade immediately if there are any cracks in it or if any teeth are broken.
4. Does the lower guard close properly?

### WARNING

To avoid injury, do not use the wood saw if the lower guard does not close quickly over the blade.

5. Is the battery pack charged and inserted firmly to the wood saw?
6. Is the depth adjustment lever for cutting securely tightened?
7. Is the bevel adjusting knob for cutting securely tightened?
8. Is the workpiece securely clamped on a saw horse or bench?

# Using Wood Saw

## CAUTION:

To reduce the risk of injury read the Safety Instructions at the front of this manual before using the wood saw.

## ⚠ WARNING

To reduce the risk of injury, wear safety goggles or glasses with side shields.

Follow these steps:

Hold the wood saw with both hands. (See Fig. 4) Do not attempt to remove cut material when blade is moving.

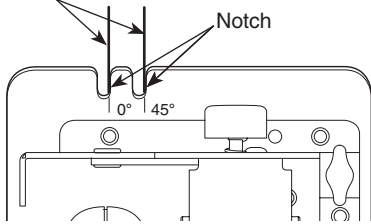
1. Line up the sight line on shoe with your cutting line. (See Fig.3)

## Alignment with cutting line

•Use the notch as guide to establish cutting position. Align the notch with cutting line.

As the cutting position may differ depending on the blade, do a trial cut beforehand.

Cutting line



Guide line of blade front

Fig. 3

2. Press the switch lock lever down, then squeeze the power switch to start the motor, and then release the switch lock lever.

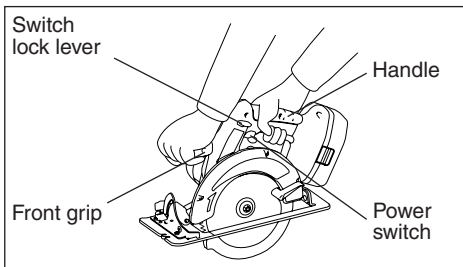


Fig. 4

## CAUTION:

- Check that the switch lock lever works. If power switch can be activated without depressing the switch lock lever, discontinue use immediately. Take the tool to an authorized service center.
  - Always hold the handle with one hand and the front grip with the other. (See Fig.4) Maintain a firm grip and depress the switch fully.
  - The blade should not touch the cutting material before you start the motor. Wait until the blade reaches full speed before starting a cut.
  - This tool has no provision to lock the power switch in the "ON" position, and you must not attempt to secure it in the "ON" position.
3. Start cutting when the blade reaches full speed.
  4. During cutting, keep your cutting line straight. Move the wood saw forward at a steady speed.

## ⚠ WARNING

- To prevent dangerous kickback, keep the shoe of the wood saw flat on the surface of the material being cut.
  - Never force the saw. Use light and continuous pressure.
5. If the motor starts to feel too warm, stop cutting. Let the wood saw cool down before continuing work.
  6. It is always a safe practice to remove the battery pack after use and before storing the wood saw.

## Cutting depth adjustment

- Remove battery pack.
- Loosen the depth adjustment lever by pushing it and adjust the cutting depth.(See Fig.5)  
Tighten the depth adjustment lever securely by lifting it up towards the motor housing at the desired cutting depth.

\* When material is 10mm (3/8") or less thick, adjust the cutting depth so that the blade protrudes approx. 5mm (3/16") from the bottom of material

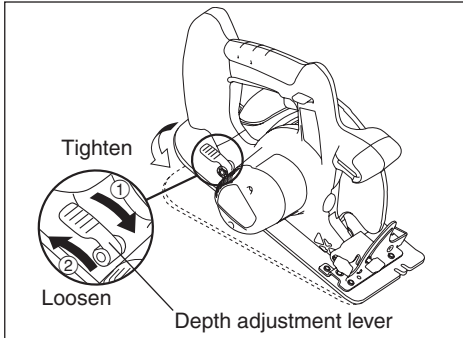


Fig. 5

## Bevel cutting adjustment

- Remove battery pack.
- To adjust the bevel of cut setting, loose the bevel adjusting knob. Turn the bevel adjusting knob counterclockwise.(See Fig.6) Adjust the bevel of cut.  
To set the bevel of cut at 90 degree, use a triangle. To have fine bevel adjustment, use the bevel adjustment screw on the base. (See Fig.7)
- Tighten the bevel adjusting knob securely.

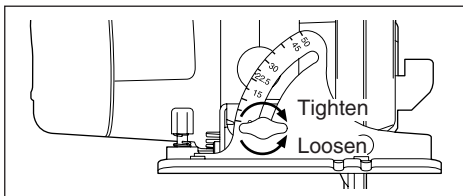


Fig. 6

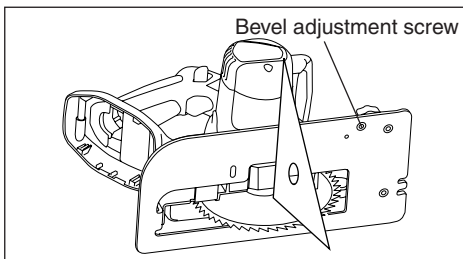


Fig. 7

## Rip fence (EY3500B7727)

(Available as an optional accessory, not included)  
Rip fence is convenient for rip cuts and repeated cuts of same width.

- Remove battery pack.
- Insert rip fence and adjust cutting width. (See fig. 8)
- Fasten screw securely to fix rip fence.

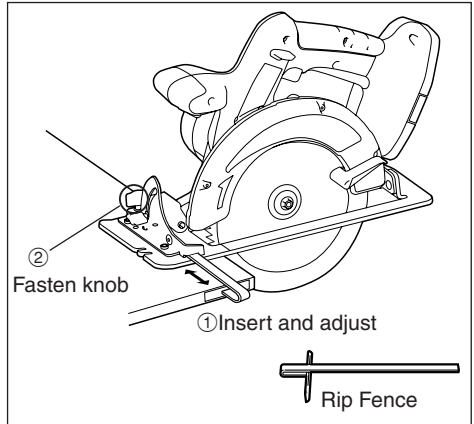


Fig. 8

## For Proper Use (Further Detail)

### **⚠ WARNING**

To prevent the risk of serious personal injury:

- It is important to use an appropriate device to hold the material being cut properly, and to hold the saw firmly with both hands to prevent loss of control which could cause personal injury.
- Figure 9 shows proper cutting position.
- Note that hands are kept away from cutting area.
- Make sure bystanders are away from work area and from underneath of workpiece.
- When cutting, do not try to hold the material with your hand.

### **Cutting large sheets;**

Support large sheets. Be sure to set the depth of the cut so that you only cut through the workpiece, not through the supports. (See Fig.10)

Large sheets sag or bend if they are not correctly supported. If you attempt to cut without leveling and properly supporting the workpiece, the blade will tend to bind, causing kickback. (See Fig.11)

- Don't support the material away from the cut.

### **Cutting thin material;**

Avoid injury or damage caused by cut thin strips material.

- Use sharp blades only. Clean and sharp blades minimize stalling and kickback.

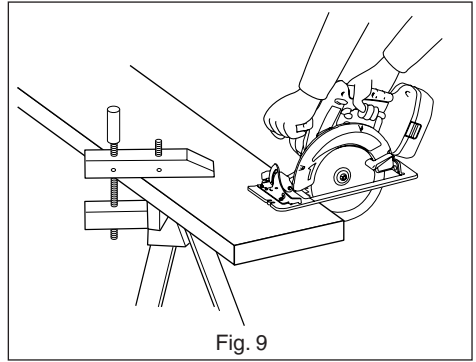


Fig. 9

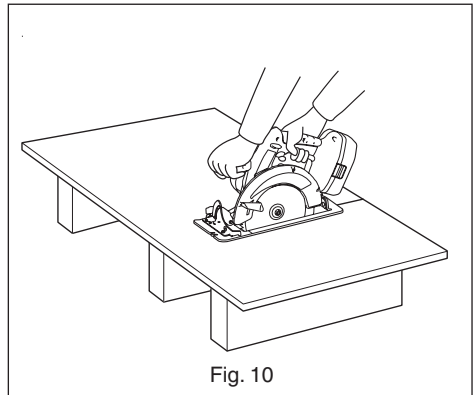


Fig. 10

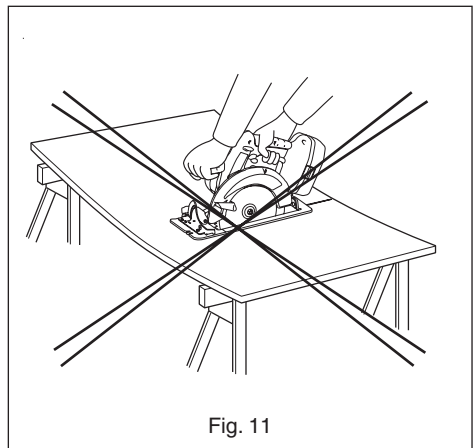


Fig. 11

## **⚠ WARNING**

To prevent the risk of serious personal injury:

- When making an incomplete cut or cutting is interrupted, or blade is binding or saw is stalling; release the power switch immediately and hold the saw motionless in the material until the blade comes to a complete stop.
- To avoid kickback, never attempt to remove the saw from the work or pull the saw backward while the blade is in motion. Make sure the blade has come to a complete stop, then remove saw from cut.
- To resume cutting, start wood saw, allow the blade to reach full speed, reenter the cut slowly and resume cutting.

1. Place the wider part of the shoe on the part of the work piece which is solidly supported, (See Fig. 12) never on the section that will fall off when the cut is made. (See Fig.13)

Hold the saw firmly to prevent loss of control. Working carelessly can cause severe personal injury.

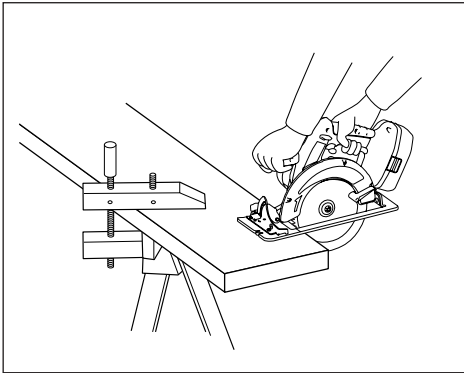


Fig. 12

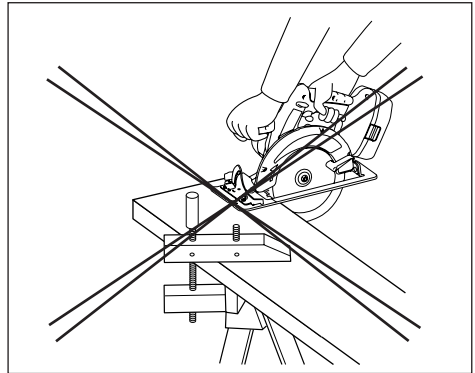


Fig. 13

2. Make sure the blade stops.

Even though your wood saw has an automatic brake, before setting the wood saw down, make sure the blade has come to a complete stop and the lower guard has closed.

3. Do not use if anything seems unusual. Remove battery pack immediately.

If the wood saw body becomes very hot, or does not work properly, remove the battery pack and do not use. Have it checked by an authorized service center.

## **⚠ WARNING**

To prevent the risk of serious personal injury or fire, do not try to repair the wood saw by yourself. Never disassemble or modify the wood saw body. There are no user-repairable parts inside.

4. NEVER ALLOW THE SAW TO COME IN CONTACT WITH YOUR BODY.

After completing a cut, do not allow the saw to brush against your leg or side.

Since the lower guard is retractable, it could catch on your clothing and expose the blade. Keep clothing away from wood saw. Be aware of the exposed blade sections that exist in both the upper and lower guard areas.

## **⚠ WARNING**

- Always use safety goggles.

- Do not use wood saw near any flammable substance or in an area where flammable substances are used. Fire and burn injury could result.

5. Never engage the spindle lock while blade is running, or engage in an effort to stop the tool. Never turn the switch on when the spindle lock is engaged. Serious damage to your wood saw will result.

## V. MAINTENANCE

### **⚠ WARNING**

To avoid severe personal injury, always remove the battery pack from the wood saw before starting any maintenance procedure.

### **CAUTION:**

To assure product SAFETY and RELIABILITY, servicing should be performed by an authorized service center. Always insist on genuine Panasonic replacement parts.

## Removing Blade

### **CAUTION:**

The blade will be hot right after cutting. Be sure to let the blade cool down before removing it.

Follow these steps: (See. Fig.14)

- 1.Remove the battery pack from the wood saw.
- 2.Hold the spindle lock button down. This prevents the blade from rotating.
- 3.Use the provided hex wrench to loosen the hex bolt.

### **NOTE:**

Keep the hex wrench in the storage slot on the wood saw's body when not using it.

- 4.Remove the hex bolt and outer washer.
- 5.Use the lower guard lift lever to retract (open) the lower guard.
- 6.Carefully remove the blade.
- 7.Clean the wood saw if necessary.

### **CAUTION:**

Be careful to avoid cutting your hands on the blade.

- When disposing of a blade, secure it inside heavy or corrugated paper. This will help prevent anyone from being cut by the discarded blade.

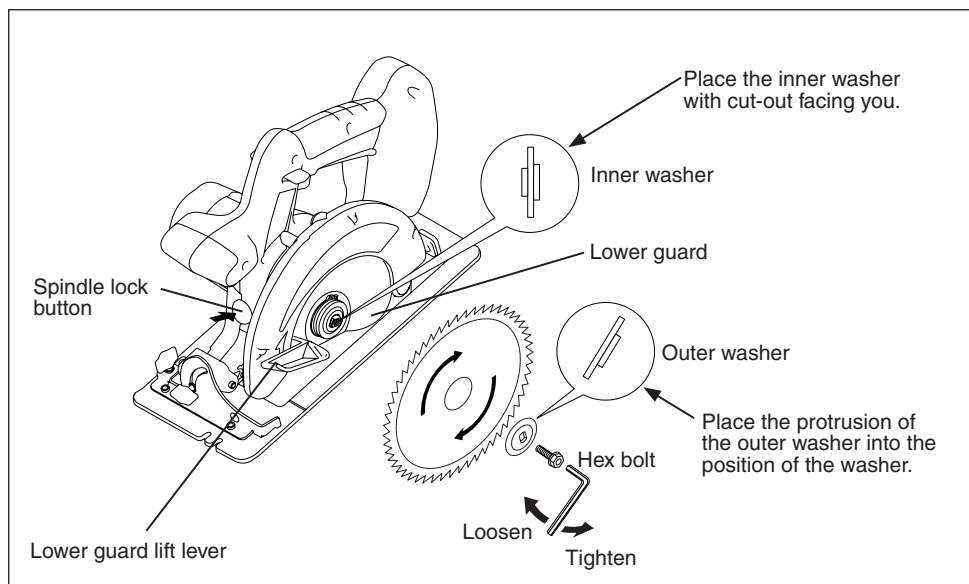


Fig. 14

## Installing Blade

Follow these steps:

1. Remove the battery pack from the wood saw.
2. Remove any cutting debris from blade area.
3. Use the lower guard lift lever to retract (open) the lower guard.
4. Install the blade as illustrated. (See Fig.14)  
Make sure that both the direction arrow on the blade and the direction arrow on the upper blade cover point in the same direction.
5. Set the outer washer in place.
6. Insert the hex bolt.
7. Hold the spindle lock button down. This prevents the blade from rotating.
8. Tighten the hex bolt securely with the provided hex wrench. Store the hex wrench.

### NOTE:

Keep the hex wrench in the storage slot on the wood saw's body when not using it.

### WARNING

Failure to follow these instructions can result in serious personal injury.

## For Appropriate use of Battery pack

Ni-MH Battery pack (EY9251)

- Charge the Ni-MH battery fully before storage in order to ensure a longer service life.
- The ambient temperature range is between 0°C (32°F) and 40°C (104°F).

If the battery pack is used when the battery temperature is below 0°C (32°F), the tool may fail to function properly. In that case, charge the battery until charging is completed for appropriate functioning of the battery.

- When battery pack is not in use, keep it away from other metal objects like: paper clips, coins, keys, nails, screws, or other small metal objects that can make a connection from one terminal to another.

Shorting the battery terminals together may cause sparks, burns or a fire.

- When operating with a Ni-MH battery pack, make sure the place is well ventilated.

## Battery Pack Life

The rechargeable batteries have a limited life. If operation time becomes extremely short after recharging, replace the battery pack with a new one.

### NOTE:

- Use under extremely hot or cold conditions will reduce operating capacity per charge.
- Even if you don't use the Wood saw, charge the

battery pack at least once every six months.

## Battery Recycling

### ATTENTION:

A nickel metal hydride battery that is recyclable powers the product you have purchased.

Please call 1-800-8-BATTERY for information on how to recycle this battery.



## Cleaning Wood Saw

Keep your wood saw clean for good cutting performance, and to help keep it safe to use.

Follow these steps:

1. Remove the battery pack from the wood saw.
2. Wipe the wood saw with a dry, soft cloth. Do not use a wet cloth or cleaning liquids.  
They could damage the wood saw's finish.
3. Be sure to rub off any oil or grease which could make the wood saw slippery or hard to handle.
4. Remove the blade and brush off any dust.

### CAUTION:

To avoid injury or damage to the unit, never immerse any part of the tool in a liquid.

## VI ACCESSORIES

### WARNING

- The use of any accessories not specified in this manual may result in fire, electric shock, or personal injury. Use recommended accessories only.
- Use of a blade on material that is thicker or thinner than that recommended for that blade will result in a rough cut, and could increase the risk of "kickback" or other injury.

Blade for wood material

- EY9PW17A

For cutting wood in general

Rip Fence (Optional accessory)

- EY3500B7727

For convenience of rip cuts and repeated cut of same width

Battery Pack

- EY9251

Battery Charger

- EY0110

## VII SPECIFICATIONS

### Wood Saw (EY3551)

Motor voltage	18 V DC	
Blade Speed	2900 /min (rpm)	
Blade Size	Outside diameter	165 mm (6-1/2")
	Arbor size	20 mm (25/32")
Maximum cutting depth	3-56 mm (1/8"-2-7/32") ( $\phi$ 165 mm blade) ※ 50° angle cutting ..... 32 mm (1-9/32")	
Dimensions (L × W × H)	375 × 200 × 264 mm (14-3/4" × 7-7/8" × 10-13/32")	
Cutting angle adjustment	0 - 50°	
Weight (with battery pack)	4 kg (8.82 lbs)	

### Battery Pack (EY9251)

Storage Battery	Ni-MH Battery
Voltage	18 V DC (1.2 V × 15 cells)

### Battery Charger (EY0110)

Model	EY0110
Electrical rating	See the rating plate on the bottom of the charger.
Weight	0.78 kg (1.72 lbs)
Charging time	65 minutes (EY9251)

#### NOTE:

- Do not charge "Y" type Ni-Cd battery packs.
- For applicable battery packs to this charger, see the label on the charger or the latest general catalog. The instruction label on the battery packs also shows the applicable charger.



# I INTRODUCTION

Nous vous remercions de faire l'achat de la scie circulaire à bois Panasonic. L'impressionnante puissance de coupe de cette scie circulaire à bois associée à la commodité de sa batterie autonome rechargeable mettent à votre disposition de remarquables performances de coupe du bois.

Cette scie circulaire à bois a été conçue uniquement pour la coupe du bois.

## DANGER

Cet engin est un appareil de coupe qui est notamment conçu pour couper le bois. Sa lame circulaire rotative a une puissance de coupe extrêmement forte de sorte qu'une utilisation inappropriée peut se traduire par de très graves blessures voire entraîner la mort. C'est la raison pour laquelle nous vous demandons de lire attentivement cette notice d'utilisation et les marques d'avertissement sur l'outil, et de vous conformer rigoureusement à toutes les instructions de sécurité afin d'éviter de vous blesser.

## AVERTISSEMENT

Afin d'éviter de vous blesser, ne mettez pas votre doigt ou n'importe quel autre objet dans une des ouvertures de la scie circulaire à bois.

## Comment se servir de cette notice

- Veuillez lire entièrement la présente notice avant de commencer à utiliser votre scie circulaire à bois. Si vous laissez une autre personne utiliser la scie circulaire à bois, veillez à ce que cette personne ait lu cette notice ou ait été complètement informée de la méthode d'utilisation correcte et de toutes les précautions de sécurité relatives à la scie circulaire à bois.
- Veuillez conserver cette notice pour consultation ultérieure. Elle contient des consignes de sécurité importantes que vous devez suivre absolument pour utiliser la scie circulaire à bois en toute sécurité.
- Dans cette notice et sur l'outil figurent les termes de signalisation suivants:

### REMARQUE

Les remarques fournissent des renseignements complémentaires utiles qu'il est important de savoir à propos de la scie circulaire à bois.

### MISE EN GARDE

Les mises en garde signalent des situations présentant un danger réel pouvant se traduire par des blessures superficielles ou moyennes si elles ne sont pas abandonnées. Les mises en garde rappellent aussi que les pratiques envisagées ne sont pas sûres et doivent être abandonnées.

### AVERTISSEMENT

Les avertissements signalent des situations présentant un danger réel pouvant se traduire par des accidents graves voire entraîner la mort si

elles ne sont pas abandonnées.

### DANGER

Les rappels de danger signalent un risque imminent pouvant se traduire par des accidents graves voire entraîner la mort s'il n'est pas évité.

## II. INSTRUCTIONS DE SÉCURITÉ

### Consignes de sécurité générales

#### AVERTISSEMENT! Veuillez lire toutes les instructions.

Si les instructions détaillées ci-dessous ne sont pas observées, cela peut entraîner une électrocution, un incendie et/ou des blessures graves. Le terme "outil mécanique" utilisé dans tous les avertissements ci-dessous se réfère aux outils mécaniques opérés par cordons d'alimentation et par batterie (sans fil).

## CONSERVEZ CES INSTRUCTIONS

### Sécurité de la zone de travail

- 1) **Gardez la zone de travail propre et bien aérée.**  
Les endroits encombrés et sombres invitent les accidents.
- 2) **Ne faites pas fonctionner les outils mécaniques dans des atmosphères explosives, comme en présence de liquides inflammables, de gaz ou de poussière.**  
Les outils mécaniques génèrent des étincelles qui peuvent enflammer la poussière ou les vapeurs.
- 3) **Gardez les enfants et les spectateurs éloignés lors du fonctionnement d'un outil mécanique.**  
Les distractions peuvent faire perdre le contrôle.

### Sécurité électrique

- 1) **La fiche des outils mécanique doit correspondre aux prises secteur. Ne modifiez la fiche sous aucun prétexte. N'utilisez pas de fiche adaptatrice avec les outils mécaniques mis à la terre.**  
Des fiches non modifiées et des prises secteur correspondant réduisent les risques d'électrocution.
- 2) **Évitez tout contact physique avec les surfaces mises à la terre telles que tuyaux, radiateurs, micro-ondes et réfrigérateurs.**  
Il y a un risque d'électrocution supplémentaire si votre corps est mis à la terre.
- 3) **N'exposez pas les outils mécaniques à la pluie ou à des conditions humides.**  
De l'eau pénétrant dans un outil mécanique augmente le risque d'électrocution.
- 4) **Ne malmenez pas le cordon. N'utiliser jamais le cordon pour transporter, pour tirer ou pour débrancher l'outil mécanique. Gardez le cordon éloigné de la chaleur, de**

**l'huile, d'objets aux bords coupants ou de pièces en mouvement.**

Les cordons endommagés ou emmêlés augmentent le risque d'électrocution.

**5) Lors du fonctionnement des outils mécaniques à l'extérieur, utilisez une rallonge adaptée à l'utilisation à l'extérieur.**

L'utilisation d'un cordon adapté à l'utilisation à l'extérieur réduit les risques d'électrocution.

## **Sécurité personnelle**

**1) Restez alerte, regardez ce que vous faites et faites preuve de bon sens lorsque vous utilisez un outil mécanique. N'utilisez pas un outil mécanique alors que vous êtes fatigué ou sous les effets de drogue, d'alcool ou de médicaments.**

Un moment d'inattention pendant que vous faites fonctionner l'outil mécanique peut entraîner des blessures graves.

**2) Utilisez des équipements de sécurité. Portez toujours des protection pour vos yeux.**

Des équipements de sécurité comme masque antipoussière, chaussures de sécurité non glissantes, casque de protection ou protections d'oreilles, utilisés dans des conditions appropriées réduisent les blessures corporelles.

**3) Évitez tout démarrage accidentel. Assurez-vous que l'interrupteur est en position d'arrêt avant de brancher l'outil.**

Le transport d'outils mécaniques avec le doigt sur l'interrupteur ou le branchement d'outils mécaniques dont l'interrupteur est sur la position de marche invite les accidents.

**4) Retirez toute clé d'ajustement ou clé de serrage avant de mettre l'outil mécanique en marche.**

Une clé de serrage ou une clé d'ajustement laissée attachée à une pièce tournante de l'outil mécanique peut entraîner des blessures corporelles.

**5) Ne vous mettez pas en déséquilibre. Gardez une bonne prise au sol et votre équilibre à tout moment.**

Ceci permet un meilleur contrôle de l'outil mécanique dans des situations inattendues.

**6) Habillez-vous correctement. Ne portez pas de vêtements lâches ou de bijoux. Gardez vos cheveux, vêtements et gants éloignés des pièces en mouvement.**

Des vêtements lâches, des bijoux ou des cheveux longs peuvent se faire prendre dans les pièces en mouvement.

**7) Si des dispositifs pour la connexion d'appareils d'extraction et de ramassage de la poussière sont fournis, assurez-vous qu'ils sont connectés et correctement utilisés.**

L'utilisation de ces dispositifs peut réduire les risques concernés.

## **Utilisation et soins de l'outil mécanique**

**1) Ne forcez pas l'outil mécanique. Utilisez l'outil mécanique correct pour votre application.**

L'outil mécanique correct exécute mieux le travail dans de meilleures conditions de sécurité s'il est utilisé à l'allure pour laquelle il a été conçu.

**2) N'utilisez pas l'outil mécanique si l'interrupteur ne le met pas en marche ou ne l'arrête pas.**

Tout outil mécanique qui ne peut pas être contrôlé par son interrupteur est dangereux et doit être réparé.

**3) Débranchez le cordon d'alimentation de la prise secteur et/ou la batterie autonome de l'outil mécanique avant d'effectuer des réglages, de changer des accessoires ou de ranger les outils électriques.**

De telles mesures de sécurité préventives réduisent les risques de faire démarrer l'outil mécanique accidentellement.

**4) Ranger les outils mécaniques inutilisés hors de la portée des enfants et ne laissez personne qui n'est pas familiarisé avec l'outil mécanique ou ses instructions faire fonctionner l'outil mécanique.**

Les outils mécaniques sont dangereux dans les mains des utilisateurs manquant d'entraînement.

**5) Entretenez bien les outils mécaniques. Vérifiez l'alignement ou l'emboîtement des pièces en mouvement, l'intégrité des pièces et toute autre condition pouvant affecter le fonctionnement de l'outil mécanique. S'il est endommagé, faites réparer l'outil mécanique avant de l'utiliser.**

De nombreux accidents sont provoqués par des outils mécaniques mal entretenus.

**6) Maintenez les outils de coupe affûtés et propres.** Les outils de coupe bien entretenus avec des lames bien affûtées ont moins de chances de gripper et sont plus faciles à contrôler.

**7) Utilisez l'outil mécanique, les accessoires, les mèches, etc., conformément à ces instructions et de la façon pour laquelle l'outil particulier a été conçu en tenant compte des conditions de travail et de la tâche à exécuter.**

L'utilisation de l'outil mécanique à des fins autres que celles pour lesquelles il a été conçu peut présenter une situation à risque.

## **Utilisation et entretien de l'outil à batterie**

**1) Avant d'insérer la batterie autonome, assurez-vous que l'interrupteur d'alimentation est bien sur la position d'arrêt.**

Si vous insérez la batterie autonome dans des outils électriques dont l'interrupteur d'alimentation est sur la position de marche, vous risquerez de causer un accident.

**2) Effectuez la recharge en utilisant uniquement le chargeur spécifié par le fabricant.**

Un chargeur convenant à un certain type de bat-

terie autonome risque de causer un incendie s'il est utilisé avec un autre type de bloc-batterie.

**3) Utilisez les outils électriques uniquement avec les batteries autonomes indiqués spécifiquement.**

Si vous utilisez d'autres types de batterie autonome, vous risquez de vous blesser ou de causer un incendie.

**4) Lorsque vous n'utilisez pas la batterie autonome, gardez-la à distance des objets métalliques tels que des trombones, des pièces de monnaie, des clés, des clous, des vis et des autres petits objets métalliques risquant d'établir une connexion entre les bornes de la batterie.**

Si les bornes de la batterie sont court-circuitées, vous risquez de vous brûler ou de causer un incendie.

**5) En cas de manipulation brutale, de l'électrolyte risque d'être éjecté de la batterie; évitez tout contact avec l'électrolyte. Si un contact accidentel se produit avec l'électrolyte, rincez abondamment avec de l'eau. Si l'électrolyte entre en contact avec les yeux, consultez immédiatement un médecin.**

L'électrolyte éjecté de la batterie risque de causer des irritations ou des brûlures.

## Réparation

**1) Faites réparer votre outil mécanique par du personnel de réparation qualifié en n'utilisant que des pièces de rechange identiques.**

Ceci assure le maintien de la sécurité de l'outil mécanique.



### AVERTISSEMENT

Pour éviter de se blesser, l'utilisateur doit lire la notice d'utilisation.

## Instructions de sécurité pour toutes les scies circulaires



### DANGER

- **N'approchez pas les mains de la zone de sciage et de la lame de scie. Laissez votre deuxième main sur la poignée auxiliaire ou sur le carter du moteur.** Si vos deux mains tiennent la scie circulaire, elles ne risqueront pas d'être coupées par la lame de scie.
- **Ne touchez pas le dessous de la pièce ouvragée.** Le protège-lame ne peut pas vous protéger de la lame en-dessous de la pièce ouvragée.
- **Ajustez la profondeur de sciage de façon qu'elle corresponde à l'épaisseur de la pièce ouvragée.** Il faut que moins d'une dent entière des dents de la lame de scie soit visible audessous de la pièce ouvragée.

- **Ne tenez jamais la pièce que vous coupez avec les mains ou entre les jambes. Placez la pièce ouvragée sur une base bien stable.** Il est essentiel de bien soutenir la pièce ouvragée pour réduire les risques d'exposition du corps, de blocage de la lame ou de perte du contrôle de la scie.
- **Tenez l'outil mécanique par les surfaces de prise isolées lorsque vous effectuez des travaux lors desquels la scie circulaire risque d'entrer en contact avec des fils cachés ou avec son propre cordon.** Le contact avec un fil «sous tension» mettra aussi «sous tension» les parties métalliques exposées de l'outil mécanique, et l'opérateur risquera alors d'être électrocuté.
- **Lors d'un sciage en planches, utilisez toujours un guide de sciage ou un bord droit comme guide.** Ceci permettra d'obtenir une meilleure précision de sciage et de réduire les risques de blocage de la lame de scie.
- **Utilisez toujours des lames de scie de dimensions correctes et avec les trous d'arbre profilés correspondants (losange contre rond).** Les lames ne correspondant pas au système de montage de la scie circulaire tourneront excentriquement et provoqueront une perte de contrôle.
- **N'utilisez jamais de rondelles ou de boulons de lame endommagés ou inadéquats.** Les rondelles et les boulons de lame ont été conçus spécialement pour cette scie circulaire pour assurer les performances de fonctionnement et la sécurité d'utilisation optimales.

## Autres instructions de sécurité pour toutes les scies circulaires

### Causes et prévention par l'utilisateur d'un retour:

- Le retour est une réaction brusque à une lame de scie pincée, bloquée ou mal alignée, occasionnant un saut incontrôlé de la scie circulaire qui quitte soudainement la pièce ouvragée en direction de l'utilisateur.
- Lorsque la lame de scie est pincée ou bloquée par l'encoche qui se referme, la lame cale et la réaction du moteur projette rapidement l'outil en arrière vers l'opérateur.
- Si la lame se tord ou quitte l'alignement du sciage, les dents du bord arrière de la lame peuvent buter contre la surface supérieure du bois, faisant sortir la lame de l'encoche et projetant l'outil en arrière vers l'opérateur.

Le retour est la conséquence d'une mauvaise utilisation de l'outil et/ou de procédures ou de conditions d'utilisation inadéquates, et peut être évité en prenant les précautions suivantes.

**1) Tenez la scie circulaire fermement et positionnez vos bras de façon à pouvoir résister aux forces de retour de l'outil. Positionnez votre**

corps d'un côté ou de l'autre de la lame de scie, mais non dans le prolongement de la lame.

Le retour est susceptible de faire sauter l'outil vers l'arrière, mais les forces de retour de l'outil peuvent être contrôlées par l'opérateur si les précautions adéquates sont prises.

- 2) **Lorsque la lame de scie se bloque, ou en cas d'interruption du sciage pour quelque raison que ce soit, relâchez le déclencheur et maintenez la scie circulaire dans la matière sans bouger jusqu'à ce que la lame soit tout à fait arrêtée. N'essayez jamais de retirer la scie circulaire de la pièce ouvragée ou de la tirer vers l'arrière alors que la lame est encore en mouvement, sinon un retour en arrière risquera de se produire.**

Si la lame se bloque, recherchez la cause du blocage et prenez les dispositions nécessaires pour éliminer le blocage.

- 3) **Lorsque vous redémarrez la scie circulaire dans la pièce ouvragée, centrez la lame de scie dans l'encoche et vérifiez si les dents ne sont pas entrées dans la matière.**

Si la lame de scie se bloque, elle peut bondir hors de la pièce ouvragée ou effectuer un retour lors du redémarrage de la scie circulaire.

- 4) **Soutenez les panneaux de grande taille pour réduire les risques de pincement ou de retour de la lame de scie.**

Les grands panneaux ont tendance à fléchir sous leur propre poids. Des supports doivent être placés de chaque côté sous le panneau, près de la ligne de sciage et près du bord du panneau.

- 5) **N'utilisez pas de lames émoussées ou endommagées.**

Les lames non aiguisées ou mal fixées produisent une encoche étroite qui provoque un frottement excessif, un blocage de la lame et un retour en arrière.

- 6) **Les leviers de verrouillage de l'ajustement de la profondeur de la lame et du biseau doivent être serrés bien fermement avant de procéder au sciage.**

Si l'ajustement de la lame se modifie pendant le sciage, cela risque d'occasionner un blocage et un retour en arrière.

- 7) **Faites particulièrement attention pendant la réalisation d'«entailles de marquage» dans un mur existant ou dans d'autres zones masquées.**

La lame saillante risquerait de couper des objets, ce qui provoquerait un retour en arrière.

## Instructions de sécurité pour l'utilisation de cette scie circulaire

- 1) **Avant chaque utilisation, vérifiez le protège-lame inférieur. N'utilisez pas la scie circulaire si le protège-lame inférieur ne se déplace pas bien doucement et ne se ferme pas instantanément. N'attachez ou ne fixez jamais le pro-**

**tège-lame inférieur en position ouverte.**

Si vous laissez tomber accidentellement la scie circulaire, le protège-lame inférieur risquera d'être tordu. Relevez le protège-lame inférieur à l'aide du levier de relevage de protège-lame inférieur et assurez-vous qu'il se déplace bien doucement et qu'il n'entre pas en contact avec la lame ou un autre composant, dans tous les angles et dans toutes les profondeurs de sciage.

- 2) **Vérifiez le fonctionnement du ressort du protège-lame inférieur. Si le protège-lame et le ressort ne fonctionnent pas correctement, vous devez les réparer avant d'utiliser l'outil.**

Le protège-lame inférieur pourra fonctionner avec une certaine lourdeur en raison de l'usure des composants, de dépôts collants ou de l'accumulation de débris.

- 3) **Le protège-lame inférieur ne doit être rétracté manuellement que pour des sciages spéciaux tels que des «entailles de marquage» et des «découps composés». Relevez le protège-lame inférieur à l'aide du levier de relevage de protège-lame inférieur et dès que la lame pénètre dans la matière, le protège-lame inférieur doit être relâché.**

Pour tout autre sciage, le protège-lame inférieur devrait fonctionner automatiquement.

- 4) **Veillez toujours à ce que le protège-lame inférieur recouvre la lame avant de déposer la scie circulaire sur un établi ou sur le sol.**

Une lame non protégée et libre peut faire reculer la scie circulaire et couper tout ce qui se trouve sur son passage. Tenez compte du temps que la lame met pour s'arrêter après avoir relâché l'interrupteur.

- 5) **N'utilisez pas de roues abrasives.**

- 6) **Portez un masque antipoussière si les travaux produisent de la poussière.**

- 7) **Utilisez des lames de scie recommandées par le fabricant.**

- 8) **Mettez des protecteurs d'oreilles lorsque vous utilisez l'outil pendant de longues périodes.**

- 9) **Le risque de retour augmente à mesure que la batterie autonome se décharge.**

- 10) **Veillez à bien inspecter le matériel. Eviter de couper dans des écrous, clous ou autres matières étrangères.**

- 11) **Veillez à ne pas laisser tomber la scie circulaire à bois.**

- 12) **Ne faites jamais balancer la scie circulaire à bois.**

- 13) **Ne couvrez jamais les fentes de ventilation, et veillez à ce que celles-ci soient exemptes de saletés ou de corps étrangers.**

- 14) **Ne serrez jamais la scie circulaire à bois dans un étau. N'effectuez jamais le sciage en tenant la scie circulaire à bois sens dessus dessous dans un étau. Ceci est extrêmement dangereux et peut entraîner des accidents graves.**

- 15) Ne portez jamais de gants en tricot.
- 16) Lors de l'utilisation de la scie circulaire à bois en position élevée, veillez à ce qu'il n'y ait personne en dessous.
- 17) Ne touchez pas la lame juste après l'utilisation. Elle peut alors être très chaude et risque de vous brûler la peau.
- 18) N'introduisez pas les doigts et des corps étrangers dans le conduit de rassemblement de poussière.
- 19) Ne déposez pas le protège-lame inférieur. Si le protège-lame inférieur est endommagé ou manquant, rendez l'outil à un centre de service agréé pour le remplacer.
- 20) Ne faites pas démarrer la rotation de la lame de scie lorsqu'elle est en contact avec la pièce ouvragée. Attendez que la lame de scie tourne à la vitesse maximale avant de commencer à couper.

## Symbole

Symbole	Signification
V	Volts
— — — — — — — — — —	Courant direct
$n_0$	Vitesse sans charge
... / min	Rotation ou alternation par minute
A	Ampères

### AVERTISSEMENT:

Certaines particules de poussière produites lors de travaux de ponçage, de sciage, de meulage, de fraisage et d'autres travaux de construction contiennent des produits chimiques reconnus par l'état de Californie comme pouvant causer des cancers, des anomalies congénitales et d'autres anomalies de l'appareil de reproduction. Voici quelques exemples de ces produits chimiques:

\* Plomb contenu dans certaines peintures à base de plomb

\* Silicium cristallin contenu dans des briques, du ciment et certains autres produits de maçonnerie

\* Arsenic et chrome contenus dans certains bois de construction traités chimiquement

Pour réduire votre exposition à ces produits chimiques:

Travaillez dans un endroit bien ventilé, et portez des équipements de sécurité agréés tels que des masques antipoussière spécialement conçus pour filtrer les particules microscopiques.

# Chargeur de batterie et batterie autonome

## Instructions de sécurité importantes

1) **CONSERVEZ CES INSTRUCTIONS** - La présente notice contient des instructions de sécurité et d'utilisation importantes pour le chargeur de batterie EY0110.

2) Avant d'utiliser le chargeur de batterie, lisez toutes les instructions et les marques d'avertissement figurant sur le chargeur de batterie, la batterie autonome et le produit utilisant la batterie autonome.

3) **MISE EN GARDE** - Pour réduire le risque de blessures, chargez la batterie autonome Panasonic seulement comme indiqué à la dernière page.

Les autres types de batteries risquent d'exploser et de causer des blessures corporelles et des dommages matériels.

4) N'exposez pas le chargeur et la batterie autonome à la pluie ou à la neige.

5) Pour réduire les risques de dommages à la fiche et au cordon secteur, débranchez le chargeur en tirant la fiche et non le cordon.

6) Veillez à acheminer le cordon de façon que personne ne risque de le piétiner, de trébucher dessus, d'endommager ou d'étirer le cordon.

7) N'utilisez une rallonge qu'en cas de nécessité absolue.

Si vous utilisez une rallonge inadéquate, vous risquez de causer un incendie ou une électrocution. Si vous devez absolument utiliser une rallonge, veillez à respecter les points suivants:

- a. Le nombre, la taille et la forme des broches de la fiche de la rallonge doivent être identiques à ceux de la fiche du chargeur de batterie.
- b. La rallonge doit avoir des conducteurs en bon état et être elle-même en bon état d'utilisation.
- c. La taille des conducteurs doit être suffisante pour les normes d'intensité en ampères du chargeur, comme indiqué ci-dessous.

TAILLE AWG MINIMUM RECOMMANDÉE DES RALLONGES POUR CHARGEURS DE BATTERIES		
Norme d'entrée CA.	Ampères	Taille AWG du cordon
Egal ou supérieur à	Mais inférieur à	Longueur du cordon, pieds
0	2	25 50 100 150
		18 18 18 16

8) N'utilisez pas un chargeur dont la fiche ou le cordon est endommagé – remplacez-les immédiatement.

9) N'utilisez pas le chargeur s'il a reçu un choc violent, s'il a subi une chute ou s'il

a été endommagé de quelque manière que ce soit; confiez-le à un technicien qualifié.

- 10) Ne démontez pas le chargeur; si des travaux d'entretien ou de réparation sont nécessaires, confiez-le à un technicien qualifié. Si vous le remontez incorrectement, vous risquez de causer une électrocution ou un incendie.
- 11) Pour réduire le risque d'électrocution, débranchez le chargeur de la prise de courant avant d'entreprendre des travaux d'entretien ou de nettoyage.
- 12) Le chargeur et la batterie autonome ont été conçus spécifiquement pour fonctionner ensemble.  
Ne tentez pas de charger un autre outil à batterie ou une autre batterie autonome avec ce chargeur.
- 13) Ne tentez pas de charger la batterie autonome avec un autre chargeur.
- 14) Ne tentez pas de démonter le logement de la batterie autonome.
- 15) Ne rangez pas l'outil ou la batterie autonome à des endroits où la température est susceptible d'atteindre ou de dépasser 50°C (122°F) (par exemple dans une remise d'outils électriques, ou dans une voiture en été), car ceci risquerait d'abîmer la batterie stockée.
- 16) Ne chargez pas la batterie autonome lorsque la température est INFÉRIEURE À 0°C (32°F) ou SUPÉRIEURE À 40°C (104°F). Ceci est très important pour conserver le bon état de fonctionnement de la batterie autonome.
- 17) N'incinerez pas la batterie autonome. Elle risquerait d'exploser dans les flammes.
- 18) Évitez toute utilisation dans un environnement dangereux. N'utilisez pas le chargeur à un endroit humide ou mouillé.
- 19) Le chargeur a été conçu pour fonctionner uniquement sur des prises secteur domestiques standard. Ne l'utilisez pas sous des tensions différentes!
- 20) Ne manipulez pas brutalement le cordon secteur. Ne transportez jamais le chargeur en le tenant par le cordon, ou ne le tirez pas brutalement pour le débrancher de la prise. Gardez le cordon à l'abri de la chaleur, de l'huile et de bords coupants.
- 21) Chargez la batterie autonome à un endroit bien ventilé; ne couvrez pas le chargeur et la batterie autonome avec un chiffon, etc., pendant la charge.
- 22) Si vous utilisez un accessoire non recommandé, un incendie, une électrocution, des blessures risqueraient de s'ensuivre.
- 23) Ne court-circuitez pas la batterie autonome. Un court-circuit de la batterie risquerait de faire passer un courant de forte intensité, et une surchauffe, un incendie ou des blessu-

res risqueraient de s'ensuivre.

24) **REMARQUE:** Si le cordon secteur de cet appareil est endommagé, il doit être remplacé exclusivement dans un atelier agréé par le fabricant, car ces travaux exigent l'utilisation d'outils spéciaux.

25) **POUR REDUIRE LES RISQUES D'ELECTROCUTION, CET APPAREIL EST EQUIPE D'UNE FICHE POLARISEE (UNE LAME EST PLUS LARGE QUE L'AUTRE).**

Cette fiche ne pourra être insérée que d'une seule façon dans une prise polarisée. Si la fiche ne peut pas être insérée à fond dans la prise, insérez la fiche sens dessus dessous. Si vous ne parvenez toujours pas à insérer la fiche, adressez-vous à un électricien qualifié pour installer une prise de courant adéquate.

Ne modifiez la fiche en aucune façon.

### III. PRÉPARATIFS D'UTILISATION

#### Charge de la batterie autonome EY9251

Charger la batterie autonome lorsque la vitesse de coupe est plus lente que normale et ne permet pas d'effectuer une coupe efficace.

Si vous avez deux ensembles de batteries, vous pouvez en utiliser une pour continuer à travailler tandis que vous rechargez l'autre.

#### **REMARQUE:**

Chargez une nouvelle batterie, ou une batterie qui n'a pas été utilisée pendant une période prolongée, pendant 24 heures pour lui redonner sa pleine capacité.

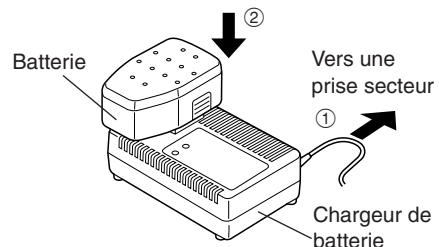
#### Chargeur de batterie (EY0110)

1. Branchez le cordon d'alimentation du chargeur dans une prise secteur.

#### **REMARQUE:**

Des étincelles peuvent être produites lorsque la fiche est introduite dans la prise d'alimentation secteur; toutefois, ceci ne pose aucun problème de sécurité.

2. Introduisez soigneusement la batterie dans le chargeur.



3. Pendant la charge, le témoin s'allume.  
Lorsque la charge est terminée, un interrupteur électronique s'actionne pour protéger la batterie.
  - La charge ne peut pas être réalisée si la batterie est chaude (par exemple, à la suite d'un long travail de perçage).  
Dans ce cas, le témoin d'attente, de couleur orange, reste allumé tant que la batterie n'est pas revenue à une température normale. La charge commence alors automatiquement.
4. Une fois la charge terminée, le témoin de charge clignote rapidement en vert.
5. Lorsque la batterie a subi pour quelque raison que ce soit une température trop basse, ou si la batterie n'a pas été utilisée pendant longtemps, le témoin de charge s'allume. Dans ce cas, il faudra un temps plus long que le temps de charge standard pour charger complètement la batterie.
  - Si une batterie complètement chargée est à nouveau insérée dans le chargeur, le témoin de charge s'allume. Après quelques minutes, le voyant de charge risque de clignoter rapidement pour indiquer que la charge est terminée.
6. Si le voyant de charge ne s'allume pas immédiatement après le branchement du chargeur

ou, si après la durée de charge standard, le voyant ne s'éteint pas, consultez un revendeur agréé pour de l'assistance technique.

#### REMARQUE:

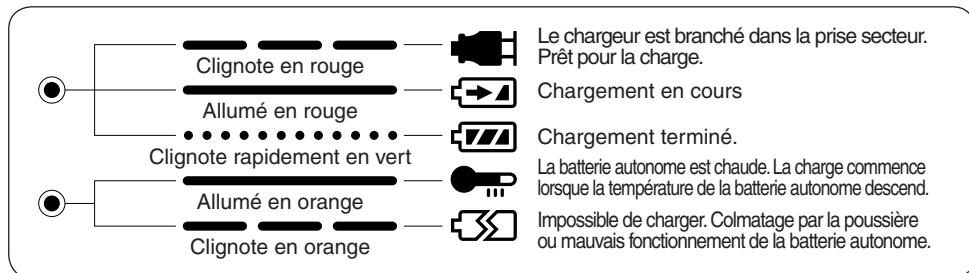
- Lorsqu'une batterie froide (en-dessous de 5°C (41°F)) doit être rechargée dans une pièce chaude, laissez la batterie dans la pièce pendant une heure au moins et rechargez-la quand elle a atteint la température ambiante. Sinon, il est possible que la batterie ne soit pas complètement chargée.
- Refroidissez le chargeur quand vous rechargez plus de deux ensembles à la suite.
- Ne mettez pas vos doigts dans les trous des connecteurs lorsque vous prenez les chargeurs ou à n'importe quelle occasion.

#### MISE EN GARDE:

Pour éviter tout dommage ou incendie:

- N'utilisez pas de source d'alimentation provenant d'un générateur de moteur.
- Ne bouchez pas les trous d'aération du chargeur et de la batterie autonome.
- Débrancher le chargeur lorsqu'il ne doit pas être utilisé.

## Indication du voyant



## Emboîtement de la batterie autonome

### MISE EN GARDE:

Avant d'accoupler la batterie autonome à la scie circulaire à bois, vérifier que l'interrupteur d'alimentation de la scie fonctionne normalement et revient bien en position d'arrêt quand il est relâché.

1. Comment emboîter la batterie autonome: (Voir la fig. 2)

Emboîter la batterie autonome dans la partie arrière de la scie circulaire à bois. La batterie doit s'encastrer parfaitement en place. Si elle présente du jeu, c'est qu'elle n'est pas correctement connectée.

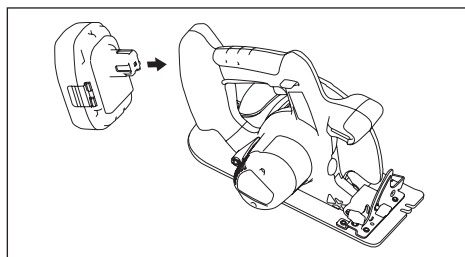


Fig. 2

2. Comment retirer la batterie autonome: Serrer les deux segments latéraux de la batterie autonome. Tirer tout droit la batterie autonome et en arrière pour la séparer de la scie circulaire à bois.

## IV. UTILISATION

### Avant d'utiliser la scie circulaire à bois

Cet outil a été conçu pour couper le bois. Dans la section «Accessoires» figure la liste des lames de scie à utiliser pour les applications adéquates de cet outil. Pour réduire les risques de blessures, vous devez prendre les précautions suivantes:

- Ne coupez pas des pièces empilées. Coupez-les l'une après l'autre.
- Ne coupez pas de pièces en métal.
- Coupez les pièces avec le bord le plus large du sabot sur le côté pincé de la pièce.
- Ne touchez pas la lame de scie avec les mains nues tout de suite après avoir effectué le sciage; elle peut être très chaude et risque de vous brûler la peau.

À chaque fois que la scie circulaire à bois doit être utilisée, il convient de s'assurer qu'elle fonctionne normalement.

Se servir de la liste de contrôle indiquée ci-après pour faire cette vérification:

1. La lame de scie est-elle montée dans le bon sens?

La flèche imprimée sur la lame de scie doit être dirigée dans le même sens que la flèche du protecteur supérieur de lame de scie.

2. La lame de scie est-elle fixée correctement?  
Vérifier que le boulon d'assemblage à six pans est bien bloqué (Voir la figure 14).

3. Un examen visuel révèle-t-il que la lame de scie est en bon état?

Remplacer immédiatement la lame de scie si des fissures sont détectées sur la lame ou si des dents sont cassées.

4. Le protecteur mobile inférieur de lame se ferme-t-il correctement?

### **⚠ AVERTISSEMENT**

Pour éviter tout risque d'accident corporel, ne pas se servir de la scie circulaire à bois si le protecteur mobile inférieur de lame se revient pas rapidement au-dessus de la lame.

5. La batterie autonome est-elle chargée et emboîtée correctement dans la scie circulaire à bois?

6. Le levier d'ajustement de la profondeur de sciage est-il bien serré?

7. Le bouton d'ajustement de biseau pour la coupe est-il bien serré?

8. La pièce ouvragée est-elle bien pincée sur le tréteau de la scie ou sur l'établi?

### Utilisation de la scie circulaire à bois

#### MISE EN GARDE:

Pour réduire le risque de blessures, veuillez lire les instructions de sécurité figurant en tête de cette notice avant d'utiliser la scie circulaire à bois.

### **⚠ AVERTISSEMENT**

Pour réduire le risque de blessures, portez des lunettes de sécurité ou des lunettes équipées de protecteurs latéraux.

Procéder suivant les étapes ci-après:

Saisir la scie circulaire à bois à deux mains (Voir la fig. 4).

Ne jamais essayer de retirer des particules issues de la coupe alors que la lame de scie tourne encore.

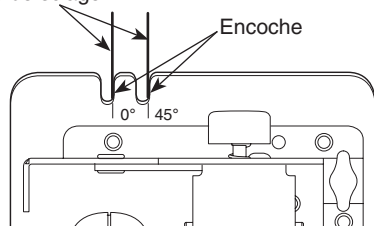
1. Alignez la ligne de mire du sabot sur votre ligne de sciage (Voir la fig. 3).

### Alignement sur la ligne de sciage

- Utilisez l'encoche comme guide pour déterminer la position de sciage. Alignez l'encoche sur la ligne de sciage.

La position de sciage pouvant être différente selon la lame de scie utilisée, faites un essai de sciage préalablement.

Ligne de sciage



Ligne-guide à l'avant de la lame de scie

Fig. 3

2. Abaissez le levier de verrouillage d'interrupteur, puis pressez l'interrupteur d'alimentation pour démarrer le moteur, et enfin relâchez le levier de verrouillage d'interrupteur.

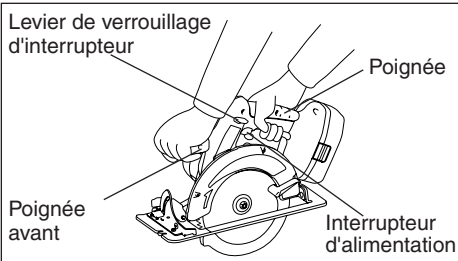


Fig. 4

#### MISE EN GARDE:

- Vérifiez que le levier de verrouillage d'interrupteur marche.

Si l'interrupteur d'alimentation peut être activé sans presser le levier de verrouillage d'interrupteur, arrêtez d'utiliser l'appareil. Portez l'outil à un centre de réparation autorisé.

- Tenez toujours la poignée dans une main et le bouton avant dans l'autre. (Voir figure 4).



Maintenez une pression ferme et presser complètement le commutateur.

- La lame de scie ne doit pas toucher le matériel à couper avant de démarrer le moteur. Attendez que la lame atteigne sa vitesse maximale avant de commencer le découpage.
- Cet outil ne possède aucun dispositif pour verrouiller l'interrupteur d'alimentation sur la position "ON", et vous ne devez absolument pas tenter de le fixer sur la position "ON".

3. Commencez à couper lorsque la lame tourne à la vitesse maximum.
4. Pendant la coupe, gardez une ligne de sciage ligne droite. Déplacez la scie circulaire à bois vers l'avant à vitesse bien uniforme.

### ⚠ AVERTISSEMENT

- Pour éviter tout retour dangereux, gardez le sabot de la scie circulaire à bois bien à plat sur la surface de la pièce que vous sciez.
- Ne forcez jamais lors de l'utilisation de la scie circulaire à bois. Appliquez une pression légère et continue.

5. Si la température du moteur de la scie devient particulièrement élevée, interrompre momentanément le travail de coupe. Laisser la scie circulaire à bois refroidir puis reprendre la coupe.
6. Il est toujours plus sûr d'enlever l'ensemble de la batterie après utilisation et avant de ranger la scie circulaire à bois.

### Ajustement de la profondeur de sciage

- Retirez la batterie autonome.
- Desserrez le levier d'ajustement de la profondeur en le poussant, et ajustez la profondeur de sciage (Voir la fig. 5). Serrez fermement le levier d'ajustement de la profondeur en le relevant vers le carter du moteur à la profondeur de sciage voulue.

\* Lorsque le matériau a une épaisseur de 10 mm (3/8") ou moins, régler la profondeur de sciage de façon que la lame dépasse d'environ 5 mm (3/16") du bas du matériau.

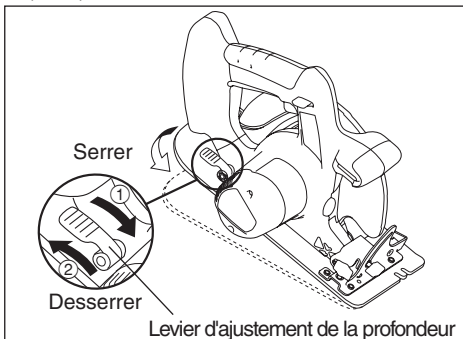


Fig. 5

### Ajustement de la coupe du biseau

- Retirez la batterie autonome
- Pour ajuster le biseau de coupe, desserrez le bouton d'ajustement du biseau. Tournez le bouton d'ajustement du biseau dans le sens inverse des aiguilles d'une montre (Voir la fig. 6). Ajustez le biseau de coupe. Pour régler le biseau de coupe à 90 degrés, utilisez un triangle. Pour effectuer un ajustement précis du biseau, utilisez la vis d'ajustement de biseau située sur la base (Voir la fig. 7).
- Serrez fermement le bouton d'ajustement de biseau.

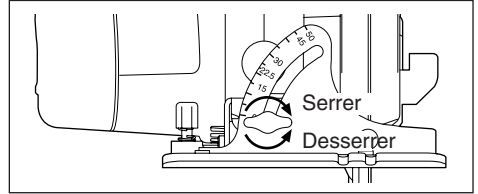


Fig. 6

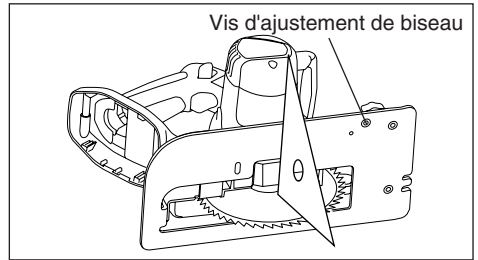


Fig. 7

### Guide de sciage (EY3500B7727)

(Disponible comme accessoire en option, non inclus)  
La barrière de refente est pratique pour les coupes de refentes et les coupes répétées d'une largeur uniforme.

- Retirez la batterie autonome.
- Insérez le guide de sciage et ajustez la largeur de sciage (Voir la fig. 8).
- Serrez bien fermement la vis pour fixer le guide de sciage.

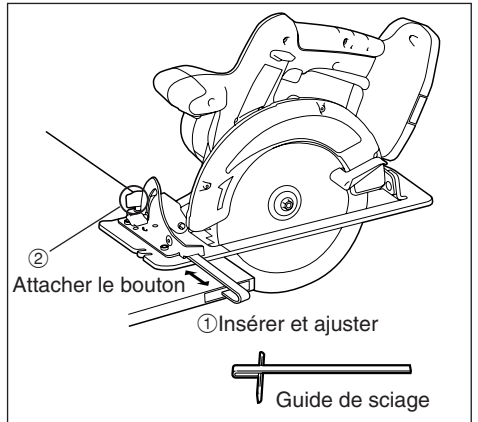


Fig. 8

## Comment faire un usage approprié de la scie (renseignements supplémentaires)

### **⚠ AVERTISSEMENT**

Pour éviter de se blesser gravement:

- Il est important d'utiliser un dispositif adéquat pour tenir bien en place la pièce ouvragée, et de tenir fermement la scie circulaire à bois avec les deux mains pour éviter d'en perdre le contrôle et de se blesser.
- La figure 9 montre la position de sciage correcte.
- Noter que les mains sont éloignées du secteur de coupe.
- Veillez à ce qu'il n'y ait personne à proximité de la zone de travail et en-dessous de la pièce ouvragée.
- Lorsque vous effectuez la coupe, ne tentez pas de tenir la pièce ouvragée avec la main.

### **Sciage de feuilles de grande taille:**

Soutenez les feuilles de grande taille. Veillez à ajuster la profondeur du sciage afin de ne couper qu'en travers de la pièce ouvragée et non à travers les supports (Voir la fig. 10).

Les feuilles de grande taille fléchissent ou plient si elles ne sont pas correctement supportées. Si vous tentez d'effectuer la coupe sans mettre la pièce ouvragée bien à niveau et sans la soutenir correctement, la lame de scie aura tendance à se bloquer, ce qui causera un retour (Voir la fig. 11).

- Ne supportez pas la pièce ouvragée loin de la ligne de sciage.

### **Sciage de matériau fin:**

Évitez toute blessure ou dommage causé par les petites ébarbures de sciage.

- Utiliser systématiquement des lames de scie parfaitement affûtées. En effet, les lames de scie propres et bien affûtées limitent au maximum les risques de blocage et de chocs de retour de lame.

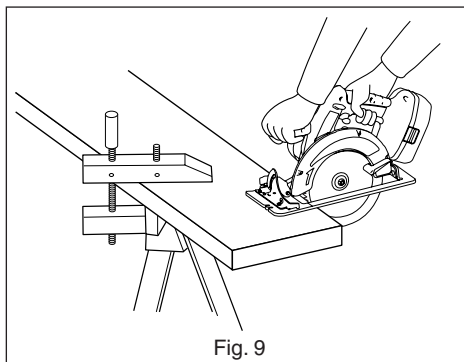


Fig. 9

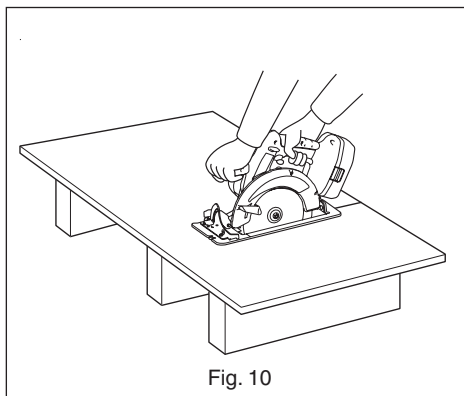


Fig. 10

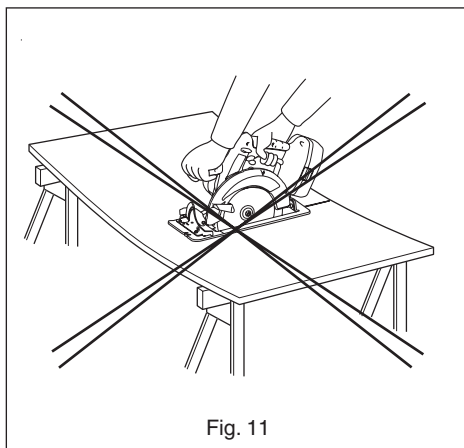


Fig. 11

## **⚠ AVERTISSEMENT**

Pour éviter de vous blesser gravement:

- Lorsque vous effectuez un sciage incomplet ou que vous interrompez le sciage, que la lame de scie est bloquée ou que la scie circulaire à bois cale, relâchez immédiatement l'interrupteur d'alimentation et tenez la scie circulaire sans bouger dans la pièce ouvragée jusqu'à ce que la lame de scie arrête complètement de tourner.
- Pour éviter les chocs de retour de lame, ne jamais essayer de retirer la scie circulaire de la pièce à couper ni ramener la scie circulaire en arrière pendant qu'elle tourne encore. S'assurer que la lame de scie est complètement arrêtée et retirer ensuite la scie circulaire à bois de la fente de coupe.
- Pour reprendre un travail de coupe qui a été interrompu, mettre la scie circulaire à bois en marche et attendre que la lame de scie ait atteint sa vitesse de rotation maximum pour entrer doucement dans la fente de coupe et poursuivre le travail de coupe.

1. Placez la partie la plus large du sabot sur la partie de la pièce ouvragée qui est solidement soutenue (Voir la fig. 12), et jamais sur la section qui s'affaîssera à la fin du sciage (Voir la fig. 13).  
Pour éviter tout risque de contrôle de l'outil, saisir fermement la scie circulaire. Une façon désinvolte de procéder peut se traduire par de graves accidents corporels.

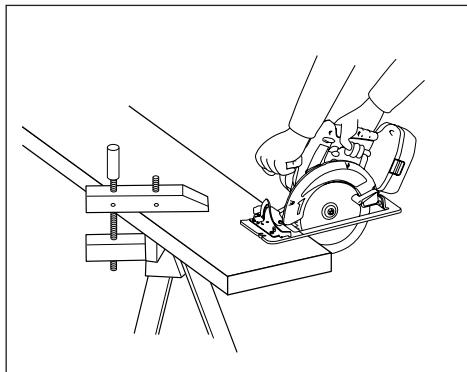


Fig. 12

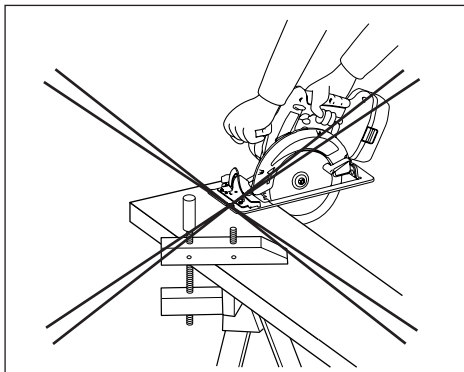


Fig. 13

2. S'assurer que la lame de scie s'arrête complètement.  
Bien que votre scie circulaire à bois soit équipée d'un frein automatique, assurez-vous, avant de poser la scie circulaire à bois, que la lame de scie soit complètement arrêtée et que le protège-lame inférieur soit fermé.
3. Séparer immédiatement la batterie autonome de la scie.  
Si la température de la scie circulaire à bois est particulièrement élevée ou qu'elle ne fonctionne pas normalement, séparer la batterie autonome et cesser d'utiliser la scie. La faire réviser dans un centre de service après-vente autorisé.

## **⚠ AVERTISSEMENT**

Pour éviter tout risque de blessures graves ou d'incendie, ne tentez pas de réparer vous-même la scie circulaire à bois. Ne démontez et ne modifiez jamais le corps de la scie circulaire à bois. Aucun des composants internes ne peut être réparé par l'utilisateur lui-même.

4. AUCUNE PARTIE DU CORPS NE DOIT VENIR DIRECTEMENT EN CONTACT AVEC LA SCIE CIRCULAIRE À BOIS.  
Lorsqu'une coupe est terminée, prendre toutes les précautions nécessaires pour que la scie ne frotte contre la jambe ou le flanc.  
Ne pas oublier que le protecteur mobile inférieur de lame est rétractable et peut se prendre dans votre tenue vestimentaire et donc exposer la lame de scie. Éloigner les vêtements de la scie circulaire à bois. Rester cependant vigilant quant aux parties exposées de la lame de scie autant que dans les secteurs du protecteur mobile inférieur de lame que du protecteur supérieur.

## **⚠ AVERTISSEMENT**

- Toujours porter des lunettes de sûreté.
- De ne jamais utiliser la scie circulaire à bois à proximité de matières inflammables ou dans un secteur où des matières inflammables sont utilisées. Des brûlures et des accidents corporels pourraient en être la conséquence.

5. N'enclenchez jamais le verrouillage de la broche pendant que la lame de scie tourne, ou ne l'enclenchez pas pour tenter d'arrêter l'outil. Ne mettez jamais l'interrupteur sur la position de marche lorsque le verrouillage de la broche est enclenché. Vous risqueriez d'endommager gravement votre scie circulaire à bois.

## V. ENTRETIEN

### ⚠ AVERTISSEMENT

Avant d'entreprendre la moindre opération d'entretien et pour éviter tout risque d'accidents corporels graves, il faut toujours retirer la batterie autonome de la scie circulaire à bois.

#### MISE EN GARDE:

Pour avoir la certitude de réunir en permanence les conditions de SÉCURITÉ et de FIABILITÉ nécessaires, les opérations d'entretien doivent être confiées à un centre de service après-vente autorisé. Il faut toujours exiger que le remplacement de pièces soit fait par des pièces d'origine Panasonic.

### Comment retirer la lame de scie

#### MISE EN GARDE:

Ne pas oublier que la lame de scie est bouillante après une opération de coupe. Il faut donc laisser refroidir suffisamment la lame de scie avant de la séparer de la scie.

Procéder suivant les étapes indiquées ci-dessous: (Voir la fig. 14)

1. Séparer la batterie autonome de la scie circulaire

à bois.

2. Maintenez le bouton de verrouillage de broche vers le bas. Ceci empêche la lame de scie de tourner.
3. Se servir de la clé hexagonale fournie pour desserrer le boulon hexagonal.

#### REMARQUE:

La clé hexagonale doit être rangée dans la fente de rangement du boîtier de scie circulaire à bois si elle n'est pas utilisée.

4. Retirer le boulon hexagonal et la rondelle extérieure.
5. Se servir du levier de relevage de protecteur mobile inférieur pour escamoter (ouvrir) le protège-lame inférieur.
6. Retirer délicatement la lame de scie.
7. Nettoyez la scie circulaire à bois si nécessaire.

#### MISE EN GARDE:

Veiller à ne pas se blesser les mains sur la lame au cours de cette opération.

- Lorsqu'une lame de scie est mise au rebut, l'envelopper d'une épaisse feuille de carton. Ceci permet d'éviter que d'autres personnes se blessent avec la lame jetée.

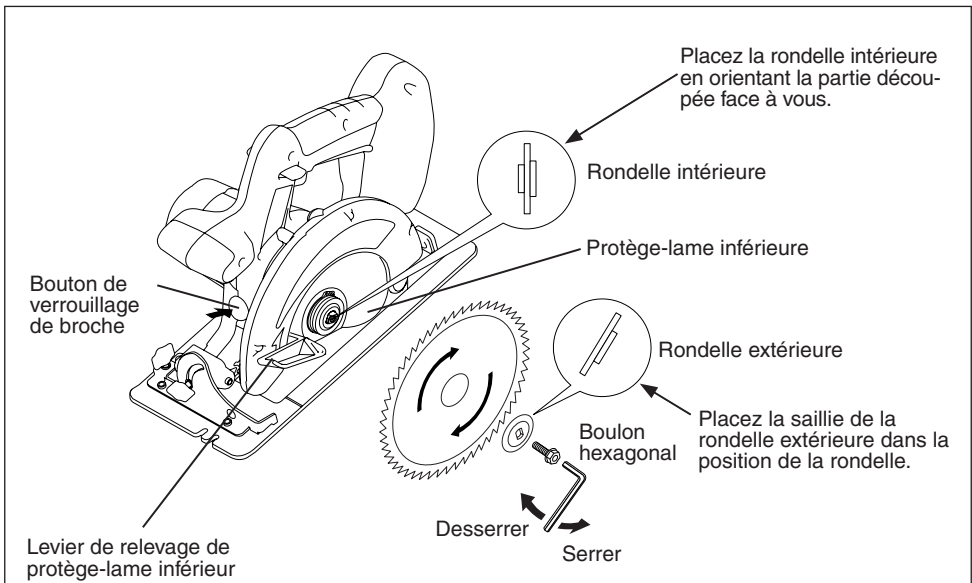


Fig. 14

## Comment remonter la lame de scie

Procéder suivant les étapes indiquées ci-dessous:

1. Séparer la batterie autonome de la scie circulaire à bois.
2. Retirer les particules issues de la coupe de la surface de la lame de scie.
3. Se servir du levier de relevage de protecteur mobile inférieur pour escamoter (ouvrir) le protecteur mobile inférieur.
4. Remonter la lame de scie en procédant de la façon illustrée (Voir la fig. 14). Veiller à ce que les deux flèches de sens de rotation de la lame et la flèche de sens de rotation du protecteur supérieur de lame de scie sont orientées dans la même direction.
5. Remonter la rondelle extérieure.
6. Remonter le boulon hexagonal.
7. Maintenez le bouton de verrouillage de broche vers le bas. Ceci empêche la lame de scie de tourner.
8. Serrer le boulon hexagonal avec la clé hexagonale fournie avec la scie. Ranger la clé hexagonale.

### REMARQUE:

La clé hexagonale doit être rangée dans la fente de rangement du boîtier de scie circulaire à bois si elle n'est pas utilisée.

### ⚠ AVERTISSEMENT

Si vous ne respectez pas ces instructions, vous risquez de vous blesser gravement.

## Pour utiliser correctement la batterie autonome

### Batterie autonome Ni-MH (EY9251)

- Rechargez la batterie Ni-MH complètement avant de la ranger, afin de lui assurer une durée de vie plus longue.
- Le niveau de température ambiante moyenne se situe entre 0°C (32°F) et 40°C (104°F). Si la batterie est utilisée alors que sa température est inférieure à 0°C (32°F), l'outil pourrait ne pas fonctionner correctement. Dans ce cas, rechargez complètement la batterie pour rétablir son fonctionnement normal.
- Lorsque vous n'utilisez pas la batterie, éloignez-la d'autres objets métalliques tels que: trombones, pièces de monnaie, clés, clous, vis et autres petits objets métalliques susceptibles de connecter les bornes entre elles. Si vous court-circuitez les bornes de la batterie, vous risquez de causer des étincelles, de vous brûler ou de provoquer un incendie.
- Lorsque vous utilisez l'outil avec une batterie Ni-MH, assurez-vous que la pièce soit bien ventilée.

## Longévité des batteries

Les batteries rechargeables ont une longévité limitée. Si le temps de fonctionnement devient très court après la recharge, remplacez la batterie par une neuve.

### REMARQUE:

- L'emploi en environnement très froid ou très chaud peut réduire la capacité de fonctionnement par charge.
- Même si vous n'utilisez pas la scie circulaire à bois, rechargez l'ensemble de la batterie au moins une fois tous les six mois.

## Recyclage de la batterie autonome

### ATTENTION:

Le produit que vous avez acheté fonctionne avec une batterie autonome à l'hydrure métallique de nickel qui est recyclable.

Pour plus de détails concernant le recyclage de cette batterie autonome, veuillez téléphoner au numéro 1-800-8-BATTERY.



## Nettoyage de la scie circulaire à bois

Pour avoir la certitude d'obtenir en permanence d'excellentes performances de votre scie circulaire à bois et de pouvoir l'utiliser en toute sécurité, l'entretenir régulièrement.

Procéder suivant les étapes indiquées ci-dessous:

1. Séparer la batterie autonome de la scie circulaire à bois.
2. Essuyer les surfaces extérieures de la scie circulaire à bois avec un chiffon sec et souple. Ne pas se servir d'un chiffon humide ou de produits d'entretien liquides. En effet, ils risquent d'abîmer la finition de la scie circulaire à bois.
3. Essuyer soigneusement toute trace d'huile ou de graisse risquant de rendre la scie circulaire à bois glissante ou d'empêcher une bonne saisie de la poignée.
4. Retirer la lame de scie de la scie et retirer les particules qui s'y sont déposées avec une brosse.

### MISE EN GARDE:

Pour éviter tout risque d'accident et pour ne pas endommager la scie circulaire à bois, ne jamais immerger tout ou partie de la scie dans un liquide.

## VI ACCESSORIES

### ⚠ AVERTISSEMENT

- L'utilisation d'accessoires ne figurant pas dans ce manuel peut causer un incendie, un choc électrique ou des blessures corporelles. N'utilisez que les accessoires recommandés.
- L'utilisation d'une lame sur des matériaux plus épais ou plus fins que recommandé aura pour conséquence une coupe grossière et pourrait aggraver le risque de «retour en arrière» ou d'autres dommages.

Lame pour les pièces en bois

•EY9PW17A

Pour scier le bois en général

Guide de sciage (Accessoire en option)

•EY3500B7727

Pour effectuer commodément des sciages en planches et des sciages répétés de largeur uniforme

Batterie autonome

•EY9251

Chargeur de batterie

•EY0110

## VII. FICHE TECHNIQUE

### Scie circulaire à bois (EY3551)

Tension de moteur	18 V de courant continu	
Vitesse de rotation de lame	2900 /min. (rpm)	
Taille de lame	Diamètre extérieur	165 mm (6-1/2")
	Dimension d'arbre	20 mm (25/32")
Profondeur maximum de coupe	3 - 56 mm (1/8" - 2-7/32") (lame de 165 mm de diamètre) ※ Coupe à angle de 50° .... 32 mm (1-9/32")	
Dimensions (L x l x H)	375 x 200 x 264 mm (14-3/4" x 7-7/8" x 10-13/32")	
Ajustement de l'angle de coupe	0 - 50°	
Poids (avec la batterie autonome)	4 kg (8,82 lbs)	

### Batterie autonome (EY9251)

Accumulateur	Batterie Ni-MH
Tension de batterie	18 V de courant continu (1,2 V x 15 éléments)

### Chargeur de batterie (EY0110)

Modèle	EY0110
Tension électrique	Voir la plaque signalétique se trouvant sur le côté inférieur du chargeur.
Poids	0,78 kg (1,72 lbs)
Durée de chargement	65 min (EY9251)

#### REMARQUE:

- Ne chargez pas de batteries Ni-Cd de type "Y".
- Pour les batteries applicables à ce chargeur, reportez-vous à l'étiquette apposée sur le chargeur ou au catalogue général actuel.  
L'étiquette d'instructions apposée sur les batteries indique aussi le chargeur applicable.

# I INTRODUCCIÓN

Muchas gracias por la adquisición de la sierra para madera Panasonic. La potente acción de corte de esta sierra, combinada con la comodidad de su batería recargable, le ofrecerá un gran rendimiento en el corte de madera.

Esta sierra para madera sólo debe utilizarse para cortar madera.

## PELIGRO

Este producto es una herramienta de corte, diseñada para cortar madera. Posee una cuchilla giratoria que es capaz de cortarle profundamente, causándole daños serios o la muerte. Por lo tanto, lea cuidadosamente este manual y las marcas de precaución en la herramienta y respete todas las instrucciones de seguridad para evitar heridas de este tipo.

## ADVERTENCIA

Para evitar lesiones, nunca introduzca sus dedos o algún otro objeto dentro de una apertura de la sierra para madera.

## Forma de utilizar este manual

- Lea completamente este manual antes de comenzar a cortar con su sierra para madera. Si deja que alguien utilice su sierra para madera, cerciéndose de que lea este manual o que reciba instrucción completa en el uso adecuado y todas las precauciones de seguridad relacionadas con esta sierra para madera.
- Guarde este manual para futuras referencias. Contiene información importante sobre seguridad que usted debe seguir para utilizar con seguridad la sierra para madera.
- Este manual y el producto utilizan las siguientes palabras clave:

### NOTA

Las notas proporcionan información adicional que usted deberá conocer sobre la sierra para madera.

### PRECAUCIÓN

La precaución indica una situación potencialmente peligrosa, que podría resultar en daños menores o moderados si no se evita. Las precauciones también le indicarán prácticas no seguras que tendrá que evitar.

### ADVERTENCIA

La advertencia le indica una situación potencialmente peligrosa, que podría resultar en daños serios o en la muerte, si no se evita.

### PELIGRO

Peligro indica un riesgo inminente, que podría resultar en daños serios o en la muerte si no se evita.

# II INSTRUCCIONES DE SEGURIDAD

## Reglas de seguridad generales

### ¡ADVERTENCIA! Lea todas las instrucciones.

Si no cumple con todas las siguientes instrucciones puede recibir una descarga eléctrica, incendio y/o heridas graves. El término "herramienta eléctrica" en todas las advertencias a continuación se refiere a su herramienta eléctrica conectada al tomacorriente (cableado) y a la herramienta eléctrica que funciona con batería (sin cable).

## GUARDE ESTAS INSTRUCCIONES

### Seguridad en el ambiente de trabajo

- 1) **Mantenga el lugar de trabajo limpio y bien iluminado.**  
Un área desprolija u oscura es una causa de accidentes.
- 2) **No haga funcionar herramientas eléctricas en un ambiente explosivo como en lugares donde hay líquidos inflamables, gases o polvo.**  
Las herramientas eléctricas producen chispas que pueden encender el polvo o el vapor.
- 3) **Mantenga a los niños y personal no relacionado lejos mientras haga funcionar la herramienta eléctrica.**  
Una distracción puede hacer que pierda el control.

### Seguridad eléctrica

- 1) **Los enchufes de herramientas eléctricas deben coincidir con el tomacorriente. Nunca modifique el enchufe. No utilice ningún adaptador de enchufe con herramientas eléctricas con tierra (conexión a tierra).**  
Un enchufe no modificado y tomacorrientes que coincidan reducirán el riesgo de descarga eléctrica.
- 2) **Evite el contacto de su cuerpo con una superficie de tierra o conectado a una tierra tales como tubos, radiadores, microondas y refrigeradores.**  
Existe un mayor riesgo de descarga eléctrica si su cuerpo queda conectado a una tierra.
- 3) **No exponga herramientas eléctricas a la lluvia o condiciones de humedad.**  
El agua que entra en una herramienta eléctrica aumentará el riesgo de descarga eléctrica.
- 4) **No abuse del cable. Nunca utilice el cable para transportar, tirar de o desenchufar la herramienta eléctrica. Mantenga el cable lejos de fuentes de calor, aceite, bordes afilados o piezas móviles.**  
Un cable dañado o enredado puede aumentar el riesgo de descarga eléctrica.

- 5) **Cuando haga funcionar una herramienta eléctrica en exteriores, utilice un cable de extensión adecuado para uso en exteriores.**  
El uso de un cable adecuado para uso en exteriores reduce el riesgo de descarga eléctrica.

## Seguridad personal

- 1) **Manténgase alerta, vigile lo que haga y utilice sentido común cuando haga funcionar la herramienta eléctrica. No utilice una herramienta eléctrica mientras está cansado o bajo la influencia de drogas, alcohol o medicamentos.**  
Un descuido instantáneo mientras hace funcionar las herramientas eléctricas puede provocar una herida personal de gravedad.
- 2) **Utilice equipo de seguridad. Utilice siempre gafas protectoras.**  
Un equipo de seguridad como máscara anti-polvo, zapatos antideslizamiento, casco duro o protección contra los oídos utilizado en condiciones adecuadas reducirá heridas personales.
- 3) **Evite un arranque por accidente. Asegúrese que el interruptor está en la posición de desconexión antes de enchufar.**  
El transporte de las herramientas eléctricas con su dedo en el interruptor o el desenchufado de las herramientas eléctricas que tengan el interruptor conectado puede provocar un accidente.
- 4) **Desmonte cualquier llave de ajuste o llave de cubo antes de conectar la herramienta eléctrica.**  
Una llave instalada en una pieza rotatoria de la herramienta eléctrica puede provocar una herida personal.
- 5) **No fuerce su cuerpo. Mantenga sus pies bien apoyados en el piso y su equilibrio en todo momento.**  
Esto permite un mejor control de la herramienta eléctrica en situaciones inesperadas.
- 6) **Vístase correctamente. No utilice ropa floja o joyas. Mantenga su cabello, ropa y guantes lejos de piezas móviles.**  
Una ropa floja, joyas o cabello largo puede quedar atrapado en piezas móviles.
- 7) **Si se entregan dispositivos para recolección y extracción de polvo, asegúrese que estén conectados y se utilicen bien.**  
El uso de estos dispositivos puede reducir los peligros relacionados con el polvo.

## Uso y cuidados de herramientas eléctricas

- 1) **No fuerce la herramienta eléctrica. Utilice la herramienta eléctrica correcta según su aplicación.**  
Una herramienta eléctrica correcta hará el trabajo mejor y más seguro a la velocidad para la que fue diseñada.
- 2) **No utilice la herramienta eléctrica si el interruptor no se conecta y desconecta.**  
Cualquier herramienta eléctrica que no pueda controlarse con el interruptor es peligroso y debe repararse.

- 3) **Desconecte el enchufe del tomacorriente y/o la batería de la herramienta eléctrica antes de hacer un ajuste, cambio de accesorios o guardado de herramientas eléctricas.**  
Estas medidas de seguridad preventiva reducen el riesgo de que la herramienta eléctrica arranque por accidente.
- 4) **Guarde las herramientas eléctricas apagadas en un lugar fuera del alcance de los niños y no permita que personas que no saben el uso de la herramienta eléctrica o estas instrucciones hagan funcionar la herramienta eléctrica.**  
Las herramientas eléctricas son peligrosas en manos de usuarios no entrenados.
- 5) **Mantenga las herramientas eléctricas. Verifique por mala alineación o atascado de piezas móviles, rotura de piezas y otras condiciones que puedan afectar el funcionamiento de las herramientas eléctricas. Si está dañado, haga reparar la herramienta eléctrica antes de utilizar.**  
Muchos accidentes se deben a herramientas eléctricas mal mantenidas.
- 6) **Mantenga las herramientas de corte afiladas y limpias.**  
Las herramientas de corte bien mantenidas con bordes de corte afilados tienen menos posibilidades de atascarse y son más fáciles de controlar.
- 7) **Utilice la herramienta eléctrica, accesorios y brocas de herramienta, etc. de acuerdo con estas instrucciones y la forma especificada para el tipo particular de herramienta eléctrica, teniendo en cuenta las condiciones de trabajo y el trabajo a hacer.**  
El uso de la herramienta eléctrica para un funcionamiento diferente del especificado puede traducirse en una situación peligrosa.

## Uso y cuidado de la herramienta a batería

- 1) **Cerciórese de que el interruptor está en la posición de desconexión antes de colocar la batería.**  
La colocación de una batería en herramientas eléctricas que tengan el interruptor conectado es una invitación a un accidente.
- 2) **Recargue sólo con el cargador especificado por el fabricante.**  
Un cargador adecuado para un tipo de batería puede provocar el riesgo de fuego cuando se utilice con otra batería.
- 3) **Utilice herramientas eléctricas sólo con las baterías diseñados específicamente.**  
El uso de otras baterías puede provocar el riesgo de heridas e incendio.
- 4) **Cuando no utilice la batería, manténgala lejos de otros objetos metálicos como ganchos para papel, monedas, llaves, clavos, tornillos u otros objetos de metal pequeños que pueden crear una conexión de un terminal con el otro.**  
Un cortocircuito de los terminales de batería



puede provocar quemaduras o fuego.

- 5) **En condiciones de uso continuo, el líquido puede salir de la batería, evite su contacto. Si se produce un contacto por accidente, lave con agua. Si el líquido entra en contacto con sus ojos, acuda al médico.**

El líquido que sale de la batería puede provocar irritación o quemaduras.

## Servicio

- 1) **Solicite el servicio de la herramienta eléctrica a un técnico cualificado utilizando sólo repuestos idénticos.**

Esto mantendrá la seguridad de la herramienta eléctrica.

### ⚠ ADVERTENCIA

Para reducir el riesgo de heridas, el usuario debe leer el manual de instrucciones.

## Instrucciones de seguridad para todas las sierras

### ⚠ PELIGRO

- **Mantenga las manos lejos del ambiente de corte y la cuchilla. Mantenga su segunda mano en el mango auxiliar o caja del motor.** Si ambas manos sujetan la sierra no pueden cortarse con la cuchilla.
- **No busque nada debajo de la pieza de trabajo.** El protector no puede protegerlo contra la cuchilla si está debajo de la pieza de trabajo.
- **Ajuste la profundidad del corte al espesor de la pieza de trabajo.** Debe verse menos de todo el diente por debajo de la pieza de trabajo.
- **Nunca sujete la pieza que está cortando con las manos o sobre sus piernas.** Asegure la pieza de trabajo en una plataforma estable. Es importante que soporte correctamente el trabajo para reducir la exposición del cuerpo, atasco de la cuchilla o pérdida de control.
- **Sujete la herramienta eléctrica por sus superficies de empuñadura aisladas cuando la herramienta de corte pueda entrar en contacto con cables ocultos o con su propio cable.** El contacto con un cable "con corriente" puede hacer que las piezas de metal expuestas de la herramienta eléctrica "tengan corriente" y el operador recibirá una descarga eléctrica.
- **Cuando se hace el aserrado al hilo, utilice una guía de corte al hilo o una guía de borde recto.** Esto mejora la precisión del corte y reduce la posibilidad de atasco de la cuchilla.
- **Utilice siempre cuchillas con el tamaño y forma correctos (diamante contra redondo) con agujeros para el eje.** Las cuchillas

que no coincidan con el herraje de montaje de la sierra tendrán excentricidad provocando una pérdida de control.

- **Nunca utilice arandelas o perno de cuchilla dañados o incorrectos.** Las arandelas y perno se diseñaron especialmente para sus sierras, para prestaciones óptimas y seguridad del funcionamiento.

## Instrucciones de seguridad adicionales para todas las sierras

### Causas y prevención de retroceso del operador:

- el retroceso es una reacción repentina de una cuchilla de sierra atrapada, adherida o mal alineada que hace que una sierra pierda el control y se levante y salga de la pieza de trabajo y retroceda al operador.
- cuando la cuchilla quede atrapada o atascada firmemente por el corte que se cierra, la cuchilla se detiene y la reacción del motor acciona la unidad rápidamente hacia atrás hacia el operador.
- si la cuchilla se dobla o queda mal alineada en el corte, los dientes en el borde trasero de la cuchilla pueden entrar en la superficie superior de la madera, haciendo que la cuchilla se salga del corte y salte atrás hacia el operador.

El retroceso es el resultado de un mal uso de la sierra y/o condiciones o procedimientos de funcionamiento incorrectos y puede evitarse adoptando precauciones adecuadas tal como se da a continuación.

- 1) **Apriete firmemente con ambas manos sobre la sierra y ponga sus brazos de forma de resistir la fuerza de retroceso. Ponga su cuerpo hacia un lado de la cuchilla pero no en línea con la cuchilla.**

El retroceso puede hacer que la sierra salte hacia atrás pero el operador puede controlar las fuerzas de retroceso si adopta precauciones adecuadas.

- 2) **Cuando se atasca la cuchilla o cuando se interrumpe el corte por cualquier razón, suelte el gatillo y mantenga la sierra sin mover en el material hasta que la cuchilla se detenga completamente. Nunca trate de retirar la sierra del trabajo o tire de la sierra hacia atrás cuando la cuchilla está en movimiento ya que puede producirse un retroceso.**

Investigue y tome acciones de corrección para eliminar las causas de un atasco de la cuchilla.

- 3) **Cuando vuelva a poner en marcha la sierra en la pieza de trabajo, coloque la cuchilla de la sierra en el centro del corte y cerciórese que los dientes de la sierra no están enganchados en el material.**

Si la cuchilla de la sierra está atascada puede salirse o retroceder de la pieza de trabajo cuando vuelva a poner en marcha la sierra.

- 4) **Sujete los paneles grandes para reducir el riesgo de atrapar la sierra y provocar un retroceso.**

Los paneles grandes tienden a doblarse por su propio peso. Debe colocar soportes debajo el panel en ambos lados, cerca de la línea de corte y cerca del borde del panel.

- 5) **No utilice cuchillas desafiladas o dañadas.** Una cuchilla desafilada o mal instalada produce un corte angosto, provocando una fricción excesiva, atasco de la cuchilla y retroceso.
- 6) **Las palancas de profundidad de la cuchilla y de bloqueo del ajuste de biselado deben estar apretadas y aseguradas antes de hacer el corte.** Si el ajuste de la cuchilla se desplaza durante el corte, puede provocar un atasco y retroceso.
- 7) **Tenga mucho cuidado cuando haga un "corte por penetración" en paredes existentes u otras áreas ciegas.**

La cuchilla sobresaliente puede cortar objetos que puedan provocar un retroceso.

## Instrucciones de seguridad para esta sierra

- 1) **Verifique el cierre correcto del protector inferior de la cuchilla antes de cada uso. No haga funcionar la sierra si el protector inferior de la cuchilla no se mueve libremente y se cierra instantáneamente. Nunca apriete o ate el protector inferior de la cuchilla en la posición abierta.**

Si se cae accidentalmente la sierra, el protector inferior de la cuchilla puede doblarse. Levante el protector inferior de la cuchilla con la palanca de elevación del protector inferior de la cuchilla y cerciórese que se mueve libremente y no toca la cuchilla o ninguna otra pieza, en todos los ángulos y profundidades del corte.

- 2) **Verifique el funcionamiento del resorte del protector inferior de la cuchilla. Si el protector y el resorte no funcionan correctamente, debe hacerse el servicio antes de su uso.**

El protector inferior de la cuchilla puede funcionar lentamente debido a que tiene piezas dañadas, depósitos pegajosos o acumulación de residuos.

- 3) **El protector inferior de la cuchilla debe retraerse manualmente sólo para cortes especiales tales como los "cortes por penetración" y "cortes compuestos". Levante el protector inferior de la cuchilla con la palanca de elevación del protector inferior de la cuchilla y en seguida de que la cuchilla entre en el material, debe soltar el protector inferior de la cuchilla.**

Para los demás cortes de sierra, el protector inferior de la cuchilla debe hacerse funcionar automáticamente.

- 4) **Vigile siempre que el protector inferior de la cuchilla cubre la cuchilla antes de apoyar la sierra en un banco o piso.**

Una cuchilla que gire al vacío sin protección hará que la sierra camine hacia atrás, cortan-

do lo que esté a su paso. Tenga en cuenta el tiempo que demora hasta que la cuchilla se cierre después de soltar el interruptor.

- 5) **No utilice ruedas abrasivas.**
- 6) **Utilice una máscara de polvo si el trabajo produce polvo.**
- 7) **Utilice cuchillas de sierra recomendadas por el fabricante.**
- 8) **Utilice protectores para el oído cuando utilice la herramienta durante largo tiempo.**
- 9) **El riesgo de retroceso aumenta a medida que se descargue la batería.**
- 10) **Asegúrese de inspeccionar el material. Evite cortar pernos, clavos o cualquier otro tipo de material.**
- 11) **Tenga cuidado de no dejar caer la sierra para madera.**
- 12) **Nunca haga péndulo con la sierra para madera.**
- 13) **Nunca cubra las ranuras de salida de aire y manténgalas libres de polvo u otro material.**
- 14) **No apriete la sierra para madera en una entena. Nunca corte con la sierra para madera invertida en una entena. Esto es muy peligroso y puede provocar accidentes de gravedad.**
- 15) **Nunca utilice guantes de lana tejidos.**
- 16) **Cerciórese de que no haya nadie debajo cuando utilice la sierra para madera en un lugar alto.**
- 17) **No toque la cuchilla inmediatamente después del funcionamiento. Puede estar caliente y quemar su piel.**
- 18) **No ponga sus dedos ni materias extrañas en el conducto de recolección de polvo.**
- 19) **No desmonte el protector inferior de la cuchilla. Si el protector inferior de la cuchilla está dañado o falta, envíe la herramienta al centro de servicio autorizado para su cambio.**
- 20) **No arranque la cuchilla cuando está en contacto con la pieza de trabajo. Espere hasta que la cuchilla alcance su velocidad máxima antes de empezar el corte.**

## Simbolo

Simbolo	Significado
V	Voltios
— — — —	Corriente continua
$n_0$	Velocidad sin carga
... / min	Revoluciones o recíproca-ción por minuto
A	Amperios

## **⚠ ADVERTENCIA:**

El polvo creado por el alijado eléctrico, corte con sierra, esmerillado, taladrado y otras actividades de la construcción contiene químicos determinados por el Estado de California como causantes de cáncer, defectos en recién nacidos y otros daños de la reproducción de seres humanos.

Algunos ejemplos de estos químicos son:

- \* Plomo de pinturas a base de plomo
  - \* Sílica cristalina de ladrillos y cemento y muchos productos de albañilería
  - \* Arsénico y cromo de leña tratada químicamente.
- Para reducir su exposición a estos químicos, trabaje en un lugar con buena circulación de aire y trabaje con un equipo de seguridad aprobado tales como máscaras de polvo diseñadas especialmente para filtrar partículas microscópicas.

# Para el cargador de batería y la batería

## Instrucciones de seguridad importantes

1) **GUARDE ESTAS INSTRUCCIONES** - Este manual contiene instrucciones de seguridad importantes y de funcionamiento para el cargador de batería EY0110.

2) Antes de utilizar el cargador de batería, lea todas las instrucciones y marcas de precaución en el cargador de batería, la batería y el producto que utilice la batería.

3) **PRECAUCIÓN** - Para reducir el riesgo de heridas, cargue sólo la batería de Panasonic indicado en la última página.

Los otros tipos de baterías pueden explotar provocando heridas personales y daños.

4) No exponga el cargador y la batería a la lluvia o nieve.

5) Para reducir el riesgo de dañar el enchufe y cable eléctrico, tire del enchufe y no del cable cuando desconecte el cargador.

6) Cerciórese que el cable está instalado de tal forma que nadie lo pise o enriede en los pies o esté expuesto a otros daños o tensión.

7) No debe utilizar un cable de extensión a menos que sea absolutamente necesario.

El uso de un cable de extensión incorrecto puede provocar un riesgo de fuego o descarga eléctrica. Si debe utilizar un cable de extensión, cerciórese de que:

- a. las patas en el enchufe del cable de extensión son del mismo número, tamaño y forma que los del enchufe en el cargador.
- b. el cable de extensión está bien enchufado y en buenas condiciones eléctricas.
- c. el tamaño del cable es lo suficientemente grande para las especificaciones de amperios del cargador, tal como se especifica a

continuación.

TAMAÑO PROMEDIO MÍNIMO RECOMENDADO PARA LOS CABLES DE EXTENSIÓN DE LOS CARGADORES DE BATERÍA			
Espec. entrada de CA. Amperios		AWG Size of Cord	
		Tamaño promedio de cable	
Igual o mayor que	Pero menos de	Longitud de cable Pies	
0	2	25	50 100 150
		18	18 18 16

- 8) No haga funcionar el cargador con un cable o enchufe dañado – cámbielos inmediatamente.
- 9) No haga funcionar el cargador si recibió un golpe fuerte, se cayó o está dañado de alguna otra forma; lleve al personal de servicio calificado.
- 10) No desarme el cargador, llévelo al personal de servicio calificado cuando sea necesario un servicio o reparación. Un rearmado incorrecto puede traducirse en un riesgo de descarga eléctrica o fuego.
- 11) Para reducir el riesgo de descarga eléctrica, desenchufe el cargador del tomacorriente antes de proceder a un mantenimiento o limpieza.
- 12) El cargador de batería y la batería fueron diseñados específicamente para funcionar uno con el otro.  
No trate de cargar cualquier otra herramienta inalámbrica o la batería con este cargador.
- 13) No trate de cargar la batería con ningún otro cargador.
- 14) No trate de desarmar la caja de la batería.
- 15) No guarde la herramienta y la batería en ambientes donde la temperatura pueda alcanzar o superar los 50°C (122°F) (tales como galpón de herramientas para metal o un coche en verano), ya que puede deteriorar la batería guardada.
- 16) No cargue la batería cuando la temperatura está por DEBAJO de 0°C (32°F) o por ENCIMA de 40°C (104°F). Esto es muy importante para mantener en condiciones óptimas la batería.
- 17) No incinere la batería. Puede explotar en el fuego.
- 18) Evite ambientes peligrosos. No utilice el cargador en lugares húmedos o mojados.
- 19) El cargador fue diseñado para funcionar sólo con la corriente eléctrica normal del hogar. ¡No trate de utilizar con otro voltaje!
- 20) No abuse del cable. Nunca transporte el cargador por el cable o tire del cable para desconectarlo del tomacorriente. Mantenga el cable lejos del calor, aceite y bordes agudos.
- 21) Cargue la batería en un lugar con buena circulación de aire, no cubra el cargador de batería y la batería con un paño, etc. durante la carga.

- 22) No se recomienda el uso de un enchufe triple ya que puede provocar el riesgo de fuego, descarga eléctrica o heridas personales.
- 23) No cortocircuite la batería. Una batería cortocircuitada puede provocar un gran flujo de corriente, calentamiento excesivo y el riesgo de fuego o heridas personales.
- 24) **NOTA:** Si el cable de alimentación de este aparato está dañado debe cambiarlo en un taller de reparaciones autorizado por el fabricante porque son necesarias herramientas de uso especial.
- 25) **ARA REDUCIR EL RIESGO DE DESCARGA ELÉCTRICA, ESTE APARATO TIENE UN ENCHUFE POLARIZADO (UNA PATA ES MÁS ANCHA QUE LA OTRA).** Este enchufe entrará en el tomacorriente polarizado sólo de una forma. Si el enchufe no entra completamente en el tomacorriente, invierta el enchufe. Si no entra incluso de esta forma, hable con un electricista calificado para que le instale un tomacorriente adecuado.

No cambie el enchufe de ninguna forma.

### III. PREPARATIVOS

#### Carga de la batería EY9251

Cargue la batería cuando la velocidad de corte sea demasiado lenta para cortar efectivamente. Si tiene dos baterías, puede usar una para seguir trabajando mientras recarga la otra.

#### **NOTA:**

Cargue una nueva batería, o una batería que no haya sido utilizada durante mucho tiempo durante 24 horas seguidas para que la batería se cargue totalmente.

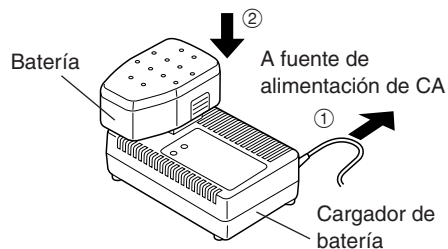
#### Cargador de batería (EY0110)

1. Enchufe el cargador en la fuente de alimentación de CA.

#### **NOTA:**

Se pueden producir chispas cuando se inserta el enchufe en la alimentación eléctrica de CA pero este no es un problema en términos de seguridad.

2. Meta firmemente la batería en el cargador.



3. La luz indicadora de carga permanecerá encendida durante la carga. Cuando haya terminado la carga, se accionará automáticamente un conmutador electrónico interno para

impedir cualquier sobrecarga.

- No podrá cargar la batería si ésta está todavía caliente (por ejemplo, inmediatamente después de haber trabajado mucho con la taladradora). La luz naranja de reserva se encenderá hasta que se enfríe suficientemente la batería y cuando esta luz se apague, la carga comenzará automáticamente.
4. Cuando la carga termina, la luz indicadora de carga empezará a parpadear rápidamente en color verde.
  5. Cuando se dé cualquiera de las condiciones que hacen que la batería se vuelva demasiado fría o no se utilizó la batería durante mucho tiempo, la luz indicadora de carga está encendida. En este caso, la carga demora más para cargar totalmente la batería que en el tiempo de carga normal.
    - Si se vuelve a colocar una batería totalmente cargada en el cargador, se encenderá la luz de carga. Luego de algunos minutos, la lámpara de carga destellará rápidamente para indicar que la carga se ha completado.
  6. Si la lámpara de carga no se enciende inmediatamente después de enchufar el cargador, o si después del tiempo de carga estándar, la lámpara no se apaga, consulte con un distribuidor autorizado.

#### **NOTA:**

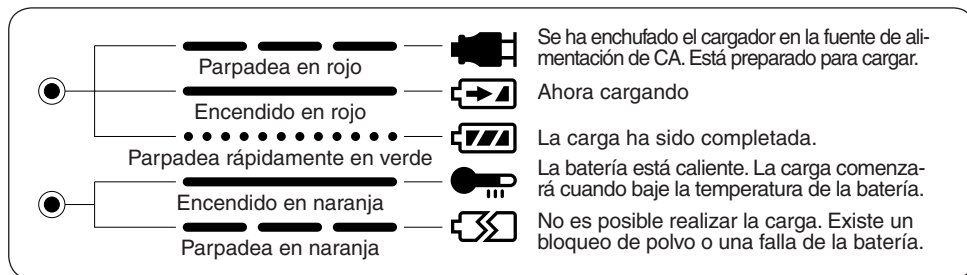
- Cuando se vaya a cargar una batería fría (unos 5°C (41°F) o menos) en un cuarto cálido, deje la batería en la habitación durante al menos una hora y cárguela cuando se haya calentado a la temperatura de la habitación. De lo contrario, la batería puede no cargarse totalmente.
- Deje que se enfríe el cargador al cargar más de dos baterías de forma consecutiva.
- No introduzca sus dedos dentro del hueco del contacto, cuando esté sujetando el cargador o en ninguna otra ocasión.

#### **PRECAUCIÓN:**

Para evitar daños o riesgo de fuego:

- No utilice una fuente de alimentación proveniente de un generador motorizado.
- No cubra las salidas de la ventilación del cargador y la batería.
- Desconecte el cargador cuando no esté en uso.

## Indicación de la lámpara



## Inserción de la batería

### PRECAUCIÓN:

Antes de insertar la batería, compruebe si el interruptor de alimentación de la sierra para madera funciona adecuadamente y vuelve a la posición "OFF" cuando lo suelte.

1. Para insertar la batería: (Consulte la Fig. 2)

Deslice la batería en la parte posterior de la sierra para madera. La batería debe entrar como un resorte en su lugar. Si la batería está floja, no está bien conectada.

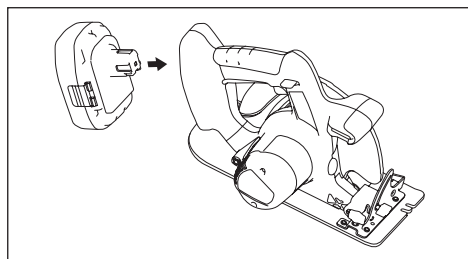


Fig. 2

2. Para quitar la batería:

Presione las dos lengüetas de los lados de la batería. Deslice la batería hacia afuera del cuerpo de la sierra para madera.

## IV. OPERACIÓN

### Antes de utilizar la sierra para madera

Esta herramienta es para cortar madera. Consulte la sección de "Accesorios" para la lista de cuchillas a utilizar para las aplicaciones adecuadas de esta herramienta. Deben respetarse las siguientes precauciones para reducir el riesgo de heridas;

- No corte materiales acumulados. Corte una pieza a la vez.
- No corte metal.
- Corte materiales con el borde más ancho de la zapata sobre el lado apretado del material.

- No toque la cuchilla de sierra con las manos desnudas inmediatamente después del corte; puede estar caliente y quemar su piel.

Cada vez que utilice la sierra para madera, cerciórese de que esté en buenas condiciones de funcionamiento.

Utilice la lista de comprobaciones siguiente:

1. ¿Está la cuchilla instalada en la dirección correcta? La flecha de la cuchilla deberá estar apuntando en la misma dirección que la flecha de la cubierta superior de la cuchilla.
2. ¿Está la cuchilla instalada adecuadamente? Cerciórese de que el perno hexagonal esté apretado con seguridad (Consulte la Fig. 14).
3. ¿Tiene la cuchilla buen aspecto? Si la cuchilla tiene rajaduras, o algún diente está roto, reemplácela inmediatamente.
4. ¿Se cierra adecuadamente el protector inferior de la cuchilla?

### ADVERTENCIA

Para evitar daños personales, no utilice la sierra para madera si el protector inferior de la cuchilla no se cierra rápidamente sobre la cuchilla.

5. ¿Está la batería cargada e insertada firmemente en la sierra para madera?
6. ¿Está bien apretada la palanca de ajuste de profundidad para el corte?
7. ¿Está bien apretada la perilla de ajuste de biselado para cortar de forma segura?
8. ¿Está la pieza de trabajo apretada firmemente en un caballo o banco de sierra?

## Utilización de la sierra para madera

### PRECAUCIÓN:

Para reducir el riesgo de heridas, lea las instrucciones de seguridad en el frente de este manual antes de utilizar la sierra para madera.

### ⚠ ADVERTENCIA

Para reducir el riesgo de heridas, utilice gafas o lentes de seguridad con protectores laterales.

Siga estos pasos:

Sujete la sierra para madera con ambas manos (Consulte la Fig. 4). No intente quitar el material cortado cuando la cuchilla esté moviéndose.

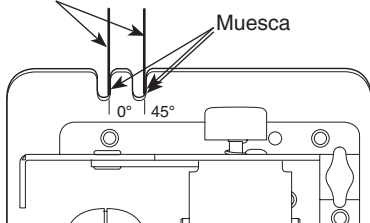
1. Alinee la línea de mira en la zapata con su línea de corte (Consulte la Fig. 3).

### Alineación con la línea de corte

• Utilice la muesca como guía para establecer la posición de corte. Alinee la muesca con la línea de corte.

Como la posición de corte puede ser diferente según la cuchilla, haga un corte de ensayo por adelantado.

Línea de corte



Línea guía del frente de la cuchilla

Fig. 3

2. Presione hacia abajo la palanca de bloqueo del interruptor y después apriete el interruptor de alimentación para poner el motor en funcionamiento y suelte la palanca de bloqueo del interruptor.

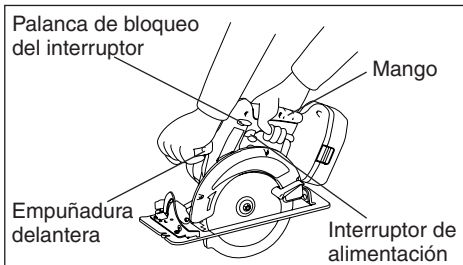


Fig. 4

### PRECAUCIÓN:

• Compruebe que funcione la palanca de bloqueo del interruptor. Si ocurriera que el interruptor de alimentación se activara sin necesidad de presionar su palanca de bloqueo, deje

de utilizar esta herramienta inmediatamente. Llévela de inmediato a un centro de servicio autorizado.

- Siempre sujete el asa con una mano y la asidera delantera con la otra (Consulte la Fig. 4). Mantenga el asa firme y presione el interruptor hasta el fondo.
  - La cuchilla no debe tocar el material que desea cortar antes de que arranque el motor. Espere hasta que la cuchilla alcance su velocidad máxima antes de comenzar a cortar.
  - Esta herramienta no tiene bloqueo del interruptor de alimentación en la posición "ON" y no debe tratar de asegurarlo en la posición "ON".
3. Comience a cortar cuando la cuchilla llega a su velocidad máxima.
  4. Durante el corte, mantenga la línea de corte en línea recta. Mueva la sierra para madera hacia adelante a una velocidad constante.

### ⚠ ADVERTENCIA

- Para evitar un retroceso peligroso, mantenga la zapata de la sierra para madera plana sobre la superficie del material que se está cortando.
- Nunca fuerce la sierra. Utilice una presión liviana y continua.

5. Si el motor comienza a calentarse, deje de serrar. Deje que la sierra para madera se enfríe antes de continuar trabajando.
6. Siempre es una buena práctica de seguridad el quitar la batería después de utilizar y antes de guardar la sierra para madera.

## Ajuste de la profundidad del corte

- Desmonte la batería.
  - Afloje la palanca de ajuste de profundidad empujándola y ajuste la profundidad del corte (Consulte la Fig. 5). Apriete firmemente la palanca de ajuste de profundidad levantándola hacia la caja del motor a la profundidad de corte deseada.
- \* Cuando el material tiene un espesor de 10 mm (3/8") o menos, ajuste la profundidad del corte de tal forma que la cuchilla sobresalga aprox. 5 mm (3/16") de la parte inferior del material.

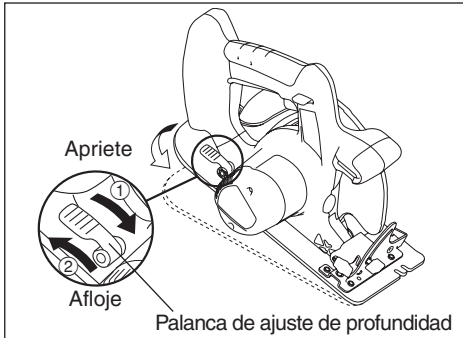


Fig. 5

## Ajuste de corte biselado

- Desmonte la batería.
- Para ajustar el biselado de corte, afloje la perilla de ajuste de biselado. Gire la perilla de ajuste de biselado en sentido antihorario (Consulte la Fig. 6). Ajuste el biselado del corte. Para ajustar el biselado del corte en 90 grados, utilice un triángulo. Para hacer un ajuste fino de biselado, utilice el tornillo de ajuste de biselado en la base (Consulte la Fig. 7).
- Apriete firmemente la perilla de ajuste de biselado.

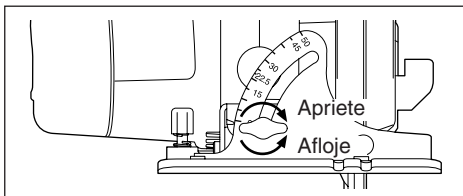


Fig. 6

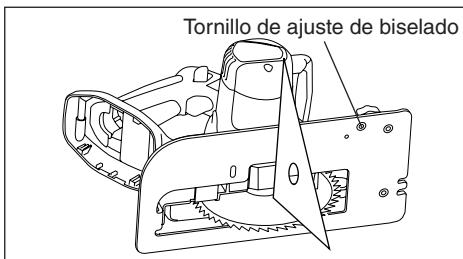


Fig. 7

## Guía de corte (EY3500B7727)

(Disponible como accesorio opcional, no viene incluido)  
La guía de corte es conveniente para realizar cortes desgarrados y repetidos cortes del mismo ancho.

- Desmonte la batería.
- Inserte la guía de corte al hilo y ajuste el ancho de corte (Consulte la Fig. 8).
- Apriete firmemente el tornillo para fijar la guía de corte.

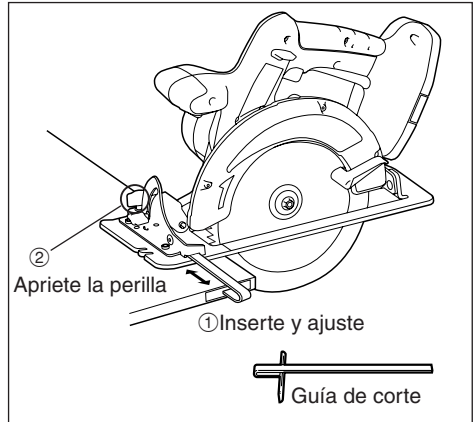


Fig. 8

## Utilización adecuada (detalles adicionales)

### ⚠ ADVERTENCIA

Para evitar el riesgo de heridas personales graves:

- Es importante utilizar un equipo adecuado para sujetar correctamente el material que se está cortando y sujete correctamente la sierra con ambas manos para evitar una pérdida de control que pudiera causar heridas personales.
- La figura 9 muestra la posición de corte correcta.
- Mantenga las manos alejadas del área de corte.
- Cerciórese de que las personas cercanas se alejen del ambiente de trabajo y de debajo de la pieza de trabajo.
- Cuando corte, no trate de sujetar el material con su mano.

### Corte de hojas grandes;

Sujete las hojas grandes. Asegúrese de ajustar la profundidad del corte para que sólo corte por la pieza de trabajo y no los soportes (Consulte la Fig. 10).

Las hojas grandes se doblan o curvan si no tienen soporte correcto. Si trata de cortar sin nivelar y soportar correctamente la pieza de trabajo, la cuchilla tendrá tendencia a atascarse, provocando un retroceso (Consulte la Fig. 11).

- No sujete el material lejos del corte.

### Corte de material fino;

Evite heridas o daños provocados por el corte de material de bandas finas.

- Utilice solamente cuchillas afiladas. Limpie y afile las cuchillas para evitar que se atasquen y el retroceso.

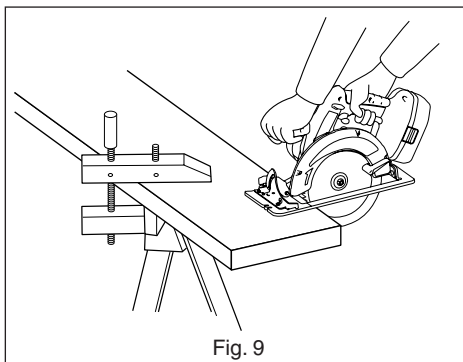


Fig. 9

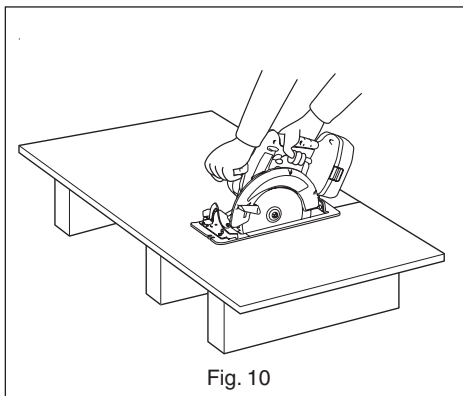


Fig. 10

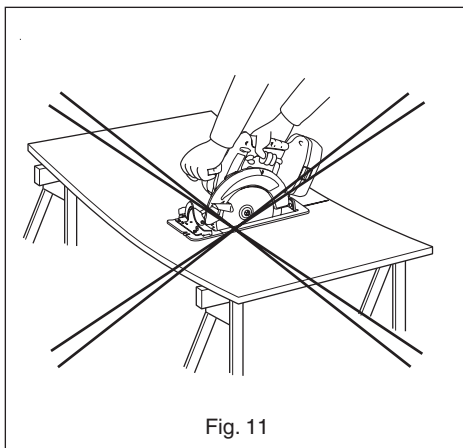


Fig. 11



## **⚠️ ADVERTENCIA**

Para evitar el riesgo de heridas personales graves:

- Cuando se haga un corte incompleto o se interrumpa el corte o la cuchilla está atascada o la sierra se para: suelte inmediatamente el interruptor de alimentación y mantenga la sierra sin mover en el material hasta que se pare completamente la cuchilla.
- Para evitar el retroceso, no intente nunca separar la sierra de la pieza de trabajo ni de moverla hacia atrás mientras la cuchilla esté en funcionamiento. Cerciórese de que la cuchilla se haya parado completamente, y después quite la sierra de la pieza serrada.
- Para reanudar el corte, ponga en funcionamiento la sierra, deje que la cuchilla alcance la velocidad plena, vuelva a introducir lentamente la sierra en la parte cortada, y reanude la operación de serrado.

1. Coloque la parte más ancha de la zapata en la parte de la pieza de trabajo que está soportada sólidamente (Consulte la Fig. 12), nunca en la sección que caiga cuando se haga el corte (Consulte la Fig. 13). Sujete firmemente la sierra para evitar perder su control. El trabajar sin cuidado podría causar daños personales serios.

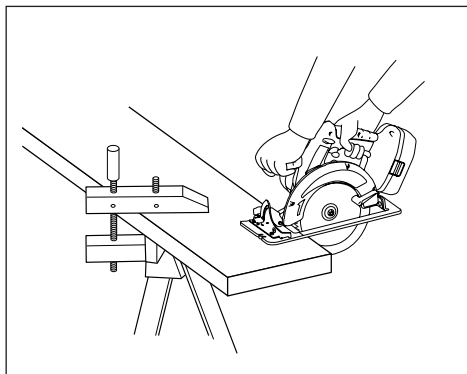


Fig. 12

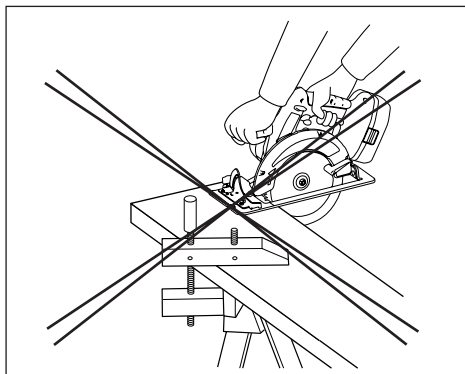


Fig. 13

2. Cerciórese de que la cuchilla esté parada.

Incluso aunque la sierra para madera tenga un freno automático, antes de bajar la sierra para madera, cerciórese de que la cuchilla se ha parado completamente y que el protector inferior de la cuchilla está cerrado.

3. No utilice la sierra si encuentra algo anormal. Quite inmediatamente la batería.

Si el cuerpo de la sierra para madera se calienta mucho, o si la sierra no trabaja adecuadamente, quítele la batería y no la utilice. Haga que sea comprobada en un centro de reparaciones autorizado.

## **⚠️ ADVERTENCIA**

Para evitar el riesgo de heridas personales graves o fuego, no trate de reparar la sierra para madera por su cuenta. Nunca desarme o modifique el cuerpo de la sierra para madera. No hay piezas en el interior que el usuario pueda reparar por su cuenta.

4. NO DEJE NUNCA QUE LA SIERRA ENTRE EN CONTACTO CON SU CUERPO.

Después de haber finalizado el corte, no deje que la sierra toque su pierna ni su costado. Como el protector inferior es retráctil, es posible que se enganche en su ropa y que deje la cuchilla al descubierto. Mantenga su ropa alejada de la sierra para madera. Tenga cuidado con las secciones al descubierto de la cuchilla, que existen en las áreas del protector superior e inferior.

## **⚠️ ADVERTENCIA**

• Utilice siempre gafas de seguridad.

• No utilice la sierra para madera cerca de sustancias inflamables, ni de áreas en las que se utilicen tales sustancias. Si lo hiciese podría producirse un incendio o usted podría recibir quemaduras.

5. Nunca enganche el bloqueo del husillo cuando la cuchilla está funcionando o enganche para tratar de parar la herramienta. Nunca conecte el interruptor cuando el bloqueo del husillo está enganchado. Se producirá un serio daño a su sierra para madera.

## V. MANTENIMIENTO

### ⚠ ADVERTENCIA

Para evitar daños personales severos, quite siempre la batería de la sierra para madera antes de iniciar cualquier procedimiento de mantenimiento.

### PRECAUCIÓN:

Para asegurar la SEGURIDAD y FIABILIDAD del producto, el mantenimiento deberá realizarlo un centro de reparaciones autorizado. Insista siempre en recurrir a piezas de recambio genuinas de Panasonic.

## Desmontaje de la cuchilla

### PRECAUCIÓN:

La cuchilla estará caliente inmediatamente después de haber serrado. Cerciórese de dejar que se enfríe antes de quitarla.

Siga estos pasos: (Consulte la Fig. 14)

1. Quite la batería de la sierra para madera.
2. Mantenga presionado el botón de bloqueo del husillo. Esto evita la rotación de la cuchilla.
3. Utilice la llave hexagonal suministrada para aflojar el perno hexagonal.

### NOTA:

Guarde la llave hexagonal en la ranura de almacenamiento del cuerpo de la sierra para madera cuando no vaya a utilizarla.

4. Quite el perno hexagonal y la arandela exterior.
5. Utilice la palanca de elevación del protector inferior para replegar (abrir) el protector inferior.
6. Quite cuidadosamente la cuchilla.
7. Limpie la sierra para madera si es necesario.

### PRECAUCIÓN:

Tenga cuidado de no cortarse las manos con la cuchilla.

- Para tirar una cuchilla, envuélvala en papel fuerte o en cartón ondulado. Esto evitará que nadie se corte con la cuchilla.

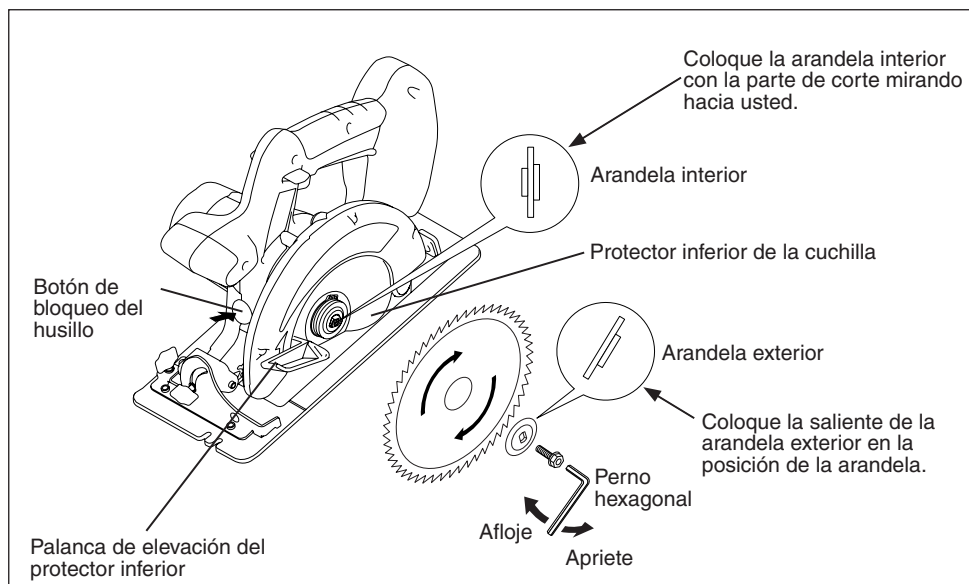


Fig. 14

## Instalación de la cuchilla

Siga estos pasos:

1. Quite la batería de la sierra para madera.
2. Quite los restos de material serrado del área de la cuchilla.
3. Utilice la palanca de elevación del protector inferior para replegar (abrir) el protector inferior.
4. Instale la cuchilla como se indica (Consulte la Fig. 14). Cerciórese de que la dirección de la flecha de la cuchilla y la de la flecha de la cubierta superior de la cuchilla sean iguales.
5. Coloque la arandela exterior en su lugar.
6. Inserte el perno hexagonal.
7. Mantenga presionado el botón de bloqueo del husillo. Esto evita la rotación de la cuchilla.
8. Apriete con seguridad el perno hexagonal con la llave hexagonal suministrada. Guarde la llave hexagonal.

### NOTA:

Guarde la llave hexagonal en la ranura de almacenamiento del cuerpo de la sierra para madera cuando no vaya a utilizarla.

### ⚠ ADVERTENCIA

Si no respeta estas instrucciones puede traducirse en heridas personales graves.

## Para un uso adecuado de la batería

### Batería Ni-MH (EY9251)

- Cargue completamente la batería Ni-MH antes de almacenarla para asegurar larga vida de servicio.
- La variación de temperatura ambiente es de entre 0 °C (32 °F) y 40 °C (104 °F).

Si se utiliza la batería cuando la temperatura de la batería es inferior a 0 °C (32 °F), la herramienta puede que no funcione debidamente. En tal caso, cargue la batería hasta que esté cargada completamente para su apropiado funcionamiento de la batería.

- Cuando no utilice la batería, manténgala alejada de otros objetos metálicos como ganchos de papel, monedas, llaves, clavos, tornillos y otros objetos de metal que puedan completar una conexión de un terminal a otro.

Un cortocircuito entre los terminales de la batería puede producir chispas, quemaduras o incendio.

- Cuando utilice una batería Ni-MH, verifique que el lugar esté bien ventilado.

## Vida útil de la batería

Las baterías recargables tienen una vida útil limitada. Si sólo funciona durante un corto período de tiempo después de cargar de la batería deberá cambiarla por una nueva.

### NOTA:

- El uso en condiciones extremas de calor o frío hará que disminuya la capacidad de funcionamiento por cada carga.
- Aunque no utilice la sierra para madera, cargue

la batería al menos una vez cada seis meses.

## Reciclado de la batería

### ATENCIÓN:

Una batería de níquel metal hidruido reciclable alimenta el producto comprado.

Llame al 1-800-8 BATTERY para información sobre la forma de reciclar esta batería.



## Limpieza de la sierra para madera

Mantenga limpia la sierra para madera a fin de lograr un buen rendimiento de serrado, y para que pueda utilizarse con seguridad.

Siga estos pasos:

1. Quite la batería de la sierra para madera.
2. Limpie la sierra para madera con un paño suave y seco. No utilice un paño húmedo ni líquidos de limpieza. Estos líquidos podrían dañar el acabado de la sierra para madera.
3. Cerciórese de eliminar el aceite y la grasa porque podrían hacer que la sierra para madera se deslize o fuese difícil de manejar.
4. Quite la cuchilla y cepille el polvo.

### PRECAUCIÓN:

Para evitar daños personales o de la unidad, no sumerja ninguna parte de la herramienta en ningún líquido.

## VI ACCESORIOS

### ⚠ ADVERTENCIA

- El uso de cualquier otro accesorio no especificado en este manual puede causar incendios, golpes eléctricos o lesiones personales. Utilice sólo los accesorios recomendados.
- Utilizar una cuchilla para cortar un material más grueso o más delgado de lo recomendado para la cuchilla causará un corte basto, y podría incrementar el riesgo de un "retroceso" u otro tipo de lesiones.

Cuchilla para el material de madera

- EY9PW17A

Para corte de madera en general

Guía de corte (Accesorio opcional)

- EY3500B7727

Para conveniencia de cortes al hilo y corte repetido de ancho uniforme

Batería

- EY9251

Cargador de batería

- EY0110

## VII. ESPECIFICACIONES

### Sierra para madera (EY3551)

Tensión del motor	18 voltios CC
Velocidad de la cuchilla	2900 /min (RPM)
Tamaño de la cuchilla	Diámetro exterior 165 mm (6-1/2") Tamaño del mandril 20 mm (25/32")
Profundidad máximo de serrado	3-56 mm (1/8"-2-7/32") (hoja de $\phi$ 165 mm) ※ Ángulo de corte de 50° .... 32 mm (1-9/32")
Dimensiones (L x An. x Al.)	375 x 200 x 264 mm (14-3/4" x 7-7/8" x 10-13/32")
Ajuste del ángulo de corte	0 - 50°
Peso (con batería)	4 kg (8.82 lbs)

### Batería (EY9251)

Batería incluida	Batería de Ni-MH
Tensión de la batería	18 voltios CC (1,2V x 15 elementos)

### Cargador de baterías (EY0110)

Modelo	EY0110
Capacidad eléctrica nominal	Vea la placa de especificaciones en la parte inferior del cargador.
Peso	0.78 kg (1.72 lbs)
Tiempo de carga	65 min. (EY9251)

#### NOTA:

- No cargue las baterías de Ni-Cd de tipo "Y".
- Para las baterías que pueden utilizarse en este cargador,vea la etiqueta en el cargador o catálogo general vigente. La etiqueta de instrucciones en la batería también indica el cargador que puede utilizar.







**PANASONIC CONSUMER ELECTRONICS COMPANY**

One Panasonic Way, Secaucus, New Jersey 07094

No.1 EN, FR, ES

EY981035511 H1701

Printed in Japan

Download from [Www.Somanuals.com](http://www.Somanuals.com). All Manuals Search And Download.



## Free Manuals Download Website

<http://myh66.com>

<http://usermanuals.us>

<http://www.somanuals.com>

<http://www.4manuals.cc>

<http://www.manual-lib.com>

<http://www.404manual.com>

<http://www.luxmanual.com>

<http://aubethermostatmanual.com>

Golf course search by state

<http://golfingnear.com>

Email search by domain

<http://emailbydomain.com>

Auto manuals search

<http://auto.somanuals.com>

TV manuals search

<http://tv.somanuals.com>