

TANDBERG

Edge 75/85/95 *MXP*

User Manual



Software version F5
D13947.01
June 2006

This document is not to be reproduced in whole or in part without permission in writing from:

TANDBERG

Trademarks and Copyright

All rights reserved. This document contains information that is proprietary to TANDBERG. No part of this publication may be reproduced, stored in a retrieval system, or transmitted, in any form, or by any means, electronically, mechanically, by photocopying, or otherwise, without the prior written permission of TANDBERG. Nationally and internationally recognized trademarks and trade names are the property of their respective holders and are hereby acknowledged.

Third Party Software

Amended / Expanded Copyright notices for third-party software on the TANDBERG MXP systems are listed below:

Full copies of the licenses and warranty statements are located on the product CD in the the license files directory.

The non-commercial third party code is distributed in binary form under the terms of non-copyleft style open source licenses such as BSD, Artistic or MIT/X Consortium.

The product also has some binary code distributed under the terms of the GNU public license with an exemption which allows static links to non-copyleft commercial code.

In accordance with section (3) of the GNU General Public License, copies of such code will be provided upon request by contacting TANDBERG. Please contact us by using the Online Support section at www.tandberg.net or the "contact us" section of this manual. Please provide USD 10.00 for media and shipping.

Agfa

Contains iType™ from Monotype Imaging Corporation.



CMU-SNMP

Copyright 1988, 1989, 1991, 1992 by Carnegie Mellon University All Rights Reserved

CMU-SNMP is distributed under the terms of the CMU SNMP license, which is an open source license similar to a BSD or X Consortium License.

Dropbear - an SSH2 server

Copyright (c) 2002,2003 Matt Johnston All rights reserved.

The Dropbear SSH2 server is distributed under the terms of the Dropbear License, which is a MIT/X Consortium style open source license.

eCos

eCos, the Embedded Configurable Operating System.

Copyright (C) 1998, 1999, 2000, 2001, 2002, 2003 Red Hat, Inc.

Copyright (C) 2002, 2003 John Dallaway

Copyright (C) 2002, 2003 Nick Garnett

Copyright (C) 2002, 2003 Jonathan Larmour Copyright (C) 2002, 2003 Andrew Lunn Copyright (C) 2002, 2003 Gary Thomas Copyright (C) 2002, 2003 Bart Veer

Copyright (c) 1982, 1986, 1991, 1993 The Regents of the University of California. All rights reserved.

(c) UNIX System Laboratories, Inc.

All or some portions of this file are derived from material licensed to the University of California by American Telephone and Telegraph Co. or Unix System Laboratories, Inc. and are reproduced herein with the permission of UNIX System Laboratories, Inc.

Copyright (C) 1995, 1996, 1997, and 1998 WIDE Project. * All rights reserved.

Copyright (c) 2000 Brian Somers <brian@Awfulhak.org>

Copyright (c) 1998 The NetBSD Foundation, Inc. * All rights reserved.

Copyright (c) 1997 Niklas Hallqvist. All rights reserved.

Copyright (c) 1988 Stephen Deering.

Copyright (c) 1992, 1993 The Regents of the University of California. All rights reserved.

This code is derived from software contributed to Berkeley by Stephen Deering of Stanford University.

Portions of eCos code are distributed under several BSD style licenses. Other portions of eCos code are distributed under the terms of the GNU General Public License with a non-copyleft exception which allows static links to non-copyleft programs.

ExPat XML Parser:

Copyright (c) 1998, 1999, 2000 Thai Open Source Software Center Ltd and Clark Cooper

Copyright (c) 2001, 2002, 2003, 2004, 2005, 2006 Expat maintainers.

The ExPat XML parser is distributed under the terms of the ExPat License which is a MIT/X Consortium style open source license

ICU

ICU License - ICU 1.8.1 Copyright (c) 1995-2003 International Business Machines Corporation and others All rights reserved.

ICU is distributed under the terms of the ICU license, which is a MIT/X Consortium style license.

OpenSSL

Copyright (c) 1998-2004 The OpenSSL Project. All rights reserved.

This product includes software developed by the OpenSSL Project for use in the OpenSSL Toolkit (<http://www.openssl.org/>)"

Copyright (C) 1995-1998 Eric Young (eay@cryptsoft.com) * All rights reserved.

OpenSSL is distributed under the terms of the OpenSSL and SSLeay licenses, which are both BSD style open source licenses.

snprintf

Copyright 1999, Mark Martinec. mark.martinec@ijs.si All rights reserved

Snprintf is distributed under the terms of the snprintf license, which is a Frontier Artistic style open source license.

A standard copy of snprintf can be located at the author's web site: <http://www.ijs.si/software/snprintf/>

xSupplicant (wpa_supplicant) 802.1x

Copyright (c) 2002-2005, Jouni Malinen jkmaline@cc.hut.fi

xSupplicant is distributed under the terms of the xSupplicant license, which is a BSD style open source license.

Disclaimer

The information in this document is furnished for informational purposes only, is subject to change without prior notice, and should not be construed as a commitment by TANDBERG. The information in this document is believed to be accurate and reliable; however TANDBERG assumes no responsibility or liability for any errors or inaccuracies that may appear in this document, nor for any infringements of patents or other rights of third parties resulting from its use. No license is granted under any patents or patent rights of TANDBERG.

This document was written by the Research and Development Department of TANDBERG, Norway. We are committed to maintain a high level of quality in all our documentation. Towards this effort, we welcome you to [Contact us](#) with comments and suggestions regarding the content and structure of this document.

Patent information

TANDBERG technology described in this manual is protected by one or more of the following U.S. Patent No. 5,584,077 - 5,838,664 - 5,600,646 - 7,010,119 - 7,034,860 and other patents are pending in the United States and/or other countries.

COPYRIGHT © 2005–2006, TANDBERG

Environmental Issues

Thank you for buying a product which contributes to a reduction in pollution, and thereby helps save the environment. Our products reduce the need for travel and transport and thereby reduce pollution. Our products have either none or few consumable parts (chemicals, toner, gas, paper). Our products are low energy consuming products.

TANDBERG's Environmental Policy

Environmental stewardship is important to TANDBERG's culture. As a global company with strong corporate values, TANDBERG is committed to being an environmental leader and embracing technologies that help companies, individuals and communities creatively address environmental challenges.

TANDBERG's environmental objectives are to:

- Develop products that reduce energy consumption, CO₂ emissions, and traffic congestion
- Provide products and services that improve quality of life for our customers
- Produce products that can be recycled or disposed of safely at the end of product life
- Comply with all relevant environmental legislation.

European Environmental Directives

As a manufacturer of electrical and electronic equipment TANDBERG is responsible for compliance with the requirements in the European Directives 2002/96/EC (WEEE) and 2002/95/EC (RoHS).

The primary aim of the WEEE Directive and RoHS Directive is to reduce the impact of disposal of electrical and electronic equipment at end-of-life. The WEEE Directive aims to reduce the amount of WEEE sent for disposal to landfill or incineration by requiring producers to arrange for collection and recycling. The RoHS Directive bans the use of certain heavy metals and brominated flame retardants to reduce the environmental impact of WEEE which is land filled or incinerated.

TANDBERG has implemented necessary process changes to comply with the European RoHS Directive (2002/95/EC) and the European WEEE Directive (2002/96/EC).

Waste Handling

In order to avoid the dissemination of hazardous substances in our environment and to diminish the pressure on natural resources, we encourage you to use the appropriate take-back systems in your area. Those systems will reuse or recycle most of the materials of your end of life equipment in a sound way.

TANDBERG products put on the market after August 2005 are marked with a crossed-out wheelie bin symbol that invites you to use those take-back systems.

Please contact your local supplier, the regional waste administration or <http://www.tandberg.net/recycling> if you need more information on the collection and recycling system in your area.



Information for Recyclers

As part of compliance with the European WEEE Directive, TANDBERG provides recycling information on request for all types of new equipment put on the market in Europe after August 13th 2005.

Please contact TANDBERG at recycling@tandberg.net and provide the following details for the product for which you would like to receive recycling information:

- Model number of TANDBERG product
- Your company's name
- Contact name
- Address
- Telephone number
- E-mail address

Digital User Guides

TANDBERG is pleased to announce that we have replaced the printed versions of our User Guides with a digital CD version. Instead of a range of different user manuals, there is now one CD – which can be used with all TANDBERG products – in a variety of languages. The environmental benefits of this are significant. The CDs are recyclable and the savings on paper are huge. A simple web-based search feature helps you directly access the information you need. In addition, the TANDBERG video systems now have an intuitive on-screen help function, which provides a range of useful features and tips. The contents of the CD can still be printed locally, whenever needed.

Operator Safety Summary

Operator Safety Summary

For your protection please read these safety instructions completely before you connect the equipment to the power source. Carefully observe all warnings, precautions and instructions both on the apparatus and in these operating instructions.

Keep this manual for future reference.

Water and Moisture

- Do not operate the apparatus under or near water - for example near a bathtub, kitchen sink, or laundry tub, in a wet basement, near a swimming pool or in other areas with high humidity.
- Never install jacks for communication cables in wet locations unless the jack is specifically designed for wet locations.
- Do not touch the product with wet hands.

Cleaning

- Unplug the apparatus from communication lines, mains power-outlet or any power source before cleaning or polishing. Do not use liquid cleaners or aerosol cleaners. Use a lint-free cloth lightly moistened with water for cleaning the exterior of the apparatus.
- Unplug the apparatus from communication lines before cleaning or polishing. Do not use liquid cleaners or aerosol cleaners. Use a lint-free cloth lightly moistened with water for cleaning the exterior of the apparatus.

Ventilation

- Do not block any of the ventilation openings of the apparatus. Never cover the slots and openings with a cloth or other material. Never install the apparatus near heat sources such as radiators, heat registers, stoves, or other apparatus (including amplifiers) that produce heat.
- Do not place the product in direct sunlight or close to a surface directly heated by the sun.

Lightning

- Never use this apparatus, or connect/disconnect communication cables or power cables during lightning storms.

Dust

- Do not operate the apparatus in areas with high concentration of dust

Vibration

- Do not operate the apparatus in areas with vibration or place it on an unstable surface.

Power connection and Hazardous voltage

- The product may have hazardous voltage inside. Never attempt to open this product, or any peripherals connected to the product, where this action requires a tool.
- This product should always be powered from an earthed power outlet.
- Never connect attached power supply cord to other products.
- In case any parts of the product has visual damage never attempt to connect mains power, or any other power source, before consulting service personnel
- The plug connecting the power cord to the product/power supply serves as the main disconnect device for this equipment. The power cord must always be easily accessible.

- Route the power cord so as to avoid it being walked on or pinched by items placed upon or against it. Pay particular attention to the plugs, receptacles and the point where the cord exits from the apparatus.
- Do not tug the power cord
- If the provided plug does not fit into your outlet, consult an electrician.
- Never install cables, or any peripherals, without first unplugging the device from its power source.
- *Always use the power supply (AC-DC adapter) provided with this product.
- *Replace only with power supply (AC-DC adapter) specified by TANDBERG.
- *Never connect attached power supply (AC-DC adapter) to other products.

Servicing

- Do not attempt to service the apparatus yourself as opening or removing covers may expose you to dangerous voltages or other hazards, and will void the warranty. Refer all servicing to qualified service personnel.
- Unplug the apparatus from its power source and refer servicing to qualified personnel under the following conditions:
 - If the power cord or plug is damaged or frayed.
 - If liquid has been spilled into the apparatus.
 - If objects have fallen into the apparatus.
 - If the apparatus has been exposed to rain or moisture
 - If the apparatus has been subjected to excessive shock by being dropped.
 - If the cabinet has been damaged.
 - If the apparatus seems to be overheated.
 - If the apparatus emits smoke or abnormal odor.
 - If the apparatus fails to operate in accordance with the operating instructions

Accessories

- Use only accessories specified by the manufacturer, or sold with the apparatus.

Communication lines

- Never touch uninstalled communication wires or terminals unless the telephone line has been disconnected at the network interface.
- Do not use communication equipment to report a gas leak in the vicinity of the leak.
- To reduce the risk of fire, use only No. 26 AWG or larger telecommunication line cord (ISDN cables).

* Applies to the following products: T150 MXP, T550 MXP, T770 MXP, T880 MXP, T990 MXP, T1500 MXP, T1000 MXP, T2000 MXP, T3000 MXP Profile, Tandberg Codec 3000 MXP, Tandberg Tactical MXP, Edge 75/85/95 MXP.

Contact us

If you have any questions, comments or suggestions, please see the [Online Support](#) section at www.tandberg.net.

It is also possible to send a fax or mail to the attention of:

Product and Sales Support
TANDBERG
P.O. Box 92
1325 Lysaker
Norway
Tel: +47 67 125 125
Fax: +47 67 125 234

Table of Contents

1	Introduction.....	1
1.1	At a Glance	5
1.2	Menu Structure	7
2	Installation	9
2.1	Unpacking and Mounting	10
2.2	Connecting Cables.....	11
2.3	Monitor Configuration.....	12
2.4	System Configuration.....	13
3	General Use	16
3.1	The Welcome Screen	17
3.2	Using the Remote Control.....	18
3.2.1	Navigation	22
3.2.2	Selfview.....	23
3.2.3	Picture Layout	25
3.2.4	Mic Off.....	26
3.2.5	Volume + and -.....	27
3.2.6	Number and Letter keys.....	28
3.2.7	Touch Tones	29
3.2.8	Presets and Extension Numbers	30
3.3	On-screen Indicators.....	31
3.4	Using the Menu	33
3.5	Make a Call	35
3.5.1	Place a Call.....	36
3.5.2	Add Call	38
3.5.3	Call Settings.....	39
3.5.4	SIP Services	40
3.5.5	Streaming.....	41
3.5.6	Dialing In From Outside the Enterprise.....	43
3.6	Answer an incoming call	44
3.7	End Call.....	45
3.8	Standby	46
3.8.1	Delay Standby for 1 hour	47
3.8.2	Delay Standby for 3 hours	48
3.8.3	Do Not Disturb	49
3.9	Phone Book	50
3.9.1	Call Log.....	52
3.9.2	My Contacts	53
3.9.3	Corporate Contacts / Global Contacts	60
3.10	Camera Control.....	64
3.10.1	Move Camera	65
3.10.2	Far End Control.....	66
3.10.3	Camera Presets	67
3.10.4	TANDBERG Tracker.....	68
3.10.5	Picture Control	69
3.10.6	Camera Tracking	71
3.11	Presentation.....	72
3.11.1	Presentation Key.....	73
3.11.2	Presentation Menu.....	74
3.11.3	PC Presenter (DVI/VGA Input)	75
3.11.4	PC Soft Presenter and VNC	76

3.11.5	Dual Stream (DuoVideo ^{TF} /H.239)	77
3.11.6	Take New Snapshot	78
3.11.7	Display Snapshot	79
3.12	Services	80
3.12.1	Request Floor and Release Floor	83
3.12.2	Conference Layout	84
3.12.3	Terminal Names	85
3.12.4	Chair Control	86
3.12.5	Assign Floor and Release Floor from Participant	87
3.12.6	View Site and End View	88
3.12.7	Disconnect Participant	89
3.12.8	Terminate Meeting	90
3.12.9	More about MultiSite (embedded MCU)	91
3.12.10	Text Chat	92
4	Control Panel	93
4.1	User Guide	94
4.2	Diagnostics	95
4.2.1	System Information	96
4.2.2	Channel Status	97
4.2.3	Call Status	98
4.2.4	System Selftest	99
4.2.5	View Settings	100
4.2.6	IP Address Conflict Check	105
4.2.7	Warnings	106
4.3	Audio Demo	108
4.4	Restart	109
5	System Settings	110
5.1	General Settings	111
5.1.1	Language	112
5.1.2	System Name	113
5.1.3	International Name	114
5.1.4	Auto Answer	115
5.1.5	Phone Book Settings	116
5.1.6	External Services Settings	117
5.1.7	Permissions	118
5.1.8	Screen Settings	120
5.1.9	Software Options	125
5.1.10	Date and Time Settings	126
5.2	Menu Settings	127
5.2.1	Input Editor Language	128
5.2.2	Menu Timeout In Call	129
5.2.3	Menu on TV	130
5.2.4	Menu on PC	131
5.2.5	Balloon Help	132
5.2.6	Number Key Mode	133
5.2.7	Administrator Password	136
5.2.8	Kiosk Mode Settings	137
5.2.9	Startup	140
5.2.10	Icons	142
5.3	Presentation Settings	143
5.3.1	Presentation Start	144
5.3.2	H.239	145
5.3.3	Startup Video Source	146
5.3.4	Presentation Source	147
5.3.5	Snapshot Source	148
5.3.6	Auto-Display Snapshot	149

5.3.7	PIP Placing	150
5.3.8	Presentation Rate	151
5.3.9	VNC Settings	152
5.4	Call Quality	153
5.4.1	Video Algorithm	154
5.4.2	Audio Algorithm	155
5.4.3	AAC-LD 128kbps (stereo audio)	156
5.4.4	Natural Video	157
5.4.5	Max Upstream Rate (kbps)	158
5.4.6	Video Quality	159
5.4.7	Default Call Settings	162
5.5	Audio	165
5.5.1	Inputs	166
5.5.2	Outputs	170
5.5.3	Echo Control	172
5.5.4	Stereo Settings	173
5.5.5	Audio Leveling (AGC)	175
5.5.6	Alert Tones and Volume	176
5.5.7	Graphical View	177
5.6	Video	178
5.6.1	Camera Tracking Mode	179
5.6.2	MCU Status Line	180
5.6.3	Floor to Full Screen	181
5.6.4	Web Snapshots	182
5.6.5	MultiSite Picture Mode	183
5.6.6	Video Name	185
5.7	Security	186
5.7.1	Encryption	187
5.7.2	Encryption Mode	188
5.7.3	Passwords	189
5.7.4	Camera Standby Mode	190
5.8	Network	191
5.8.1	ISDN-BRI Settings	192
5.8.2	LAN Settings	194
5.8.3	Network Profiles	213
5.8.4	Data Port	214
5.8.5	Restore Default Settings	215
6	Peripheral Equipment	216
6.1	Interfaces	217
6.1.1	Video	218
6.1.2	Audio	223
6.1.3	Network	225
6.1.4	Data port	226
6.1.5	Camera Port	227
6.2	Document Camera	228
6.3	DVD / VCR	229
6.4	Additional Cameras	231
6.5	Additional Microphones	232
6.6	Stereo Speaker Kit	233
6.7	Telephone Add-On	235
6.8	Dual Monitor	236
6.9	XGA Monitors and Projectors	237
6.10	VESA Display Power Management	238
6.11	Digital Monitor Power Management	239
6.12	Extended Display Identification Data (EDID)	240
7	Appendices	242

Appendix 1: Technical Specifications	243
Appendix 2: Bandwidth Information for TANDBERG Endpoints.....	247
Appendix 3: Environmental Considerations.....	249
Appendix 4: Guidelines for Setting up Rooms for Video Meetings.....	250
Appendix 5: Security	252
Appendix 6: Using the File System	255
Appendix 7: Web Interface.....	256
Appendix 8: Connecting the System to PRI/T1	257
Appendix 9: Connecting the System to the Switched 56 Network.....	258
Appendix 10: Connecting the System to ISDN Using NT1 Network Adapters	259
Appendix 11: TANDBERG Cameras	260
Appendix 12: Remote Control (TRC3 / TRC4)	265
Appendix 13: Cisco CallManager.....	268
Appendix 14: Diagnostics Tools for IP.....	269
Appendix 15: System Upgrade	271
Appendix 16: Declaration of Conformity	277
Appendix 17: Dimensions	278
Appendix 18: Protocols Supported	281
Appendix 19: Cable Specifications	283
8 Glossary	291
9 Index.....	300

1 Introduction

The TANDBERG Edge 75/85/95 MXP incorporates the features and functions of larger systems in a portable high performance set top unit. This creates a collaborative meeting environment for medium to small-sized meeting rooms.

TANDBERG Precision HD Camera

To provide customers with optimal video processing and picture perfect quality, TANDBERG has created the TANDBERG Precision HD Camera custom-designed for videoconferencing. Whether using high definition for detail or a 3G device for mobility, the optimal definition ensures the highest picture quality possible, letting video users enjoy the best resolution at the bandwidth available and for their situation.

NEW Precision High Definition Camera for selected TANDBERG MXP systems

TANDBERG Precision HD Camera:

- High Resolution, 1280x720p@30fps
- High quality colors and dynamic range
- Low noise in low light conditions
- 70° wide angle lens with 7x zoom
- High quality image sharpness
- Fully Automatic

Users can dial in from a video system outside the enterprise without being registered to a gatekeeper

The feature enhancement enables dialing through a TANDBERG Gatekeeper without being registered to it. This makes it easy to call in from a video system outside the enterprise.

To be able to make such a call, this feature must be enabled in your gatekeeper or border controller, and the called endpoint must be registered with the enterprise gatekeeper or border controller.

NEW Users can dial in from a video system outside the enterprise without being registered to a gatekeeper, i.e. dialing from/using a global IP address.

SIP Services

SIP Services enables the user to use the features Add Call and Transfer. To get the SIP Services available you select SIP as your Net when you make a call. You must have a SIP registrar/VoIP solution that supports this.

NEW Enhanced SIP services to enable rich services like call transfer and suspend. Enables integration into Video and Voice over IP (V²oIP) solutions from Microsoft, Nortel and Avaya.

Controllable Bandwidth

When setting up a call with H.323 the bandwidth can be controlled by the user by setting the Presentation Rate.

The Presentation Rate is expressed in percent of the Call Rate and shall reflect the H.323 Presentation Rate settings of the sender.

Graphical View of the Audio Streams

The graphical view gives a visual presentation of the active audio streams for the input sources and the output sources.

In addition the user can play a Test Tone for each audio input and output source.

Presets and Extension Numbers

While in a call, the user presses a number key on remote control to:

- add another call
- dial extension numbers
- use camera presets

The system can be configured to act automatic or to give the user a choice of what to do every time the user presses a number key on the remote control, when in a call.

Audio Quality

High-performance audio provides a richer, more complete visual communication experience. The MPEG4 AAC-LD standard is used to provide true standards-based CD-quality, stereo audio.

Users can record and send stereo audio from stereo presentation and playback sources using PCs, DVDs and VCRs using the proper cables.

Disturbance from GSM mobile phones and Blackberry devices is eliminated by a noise filter.

Video Quality

Features which ensure high quality video include:

- Precision HD Camera, 1280x720 progressive scan @ 30fps
- Support for H.264 in MultiSite, Dual Video and encryption.
- SXGA input and 2 x XGA, up to WXGA or 720p output through DVI-I (analog or digital).
- H.264 video compression up to 2Mbps.
- Support for native 16:9 and Wide XGA monitors (1280x768)

NEW High Definition (HD) Support on TANDBERG MXP systems with a DVI input and output

Network

The system supports video meetings via both IP and ISDN networks. The bandwidth capabilities are:

- up to 2Mbps* per call
- up to 2.3Mbps* total for a MultiSite conference.
- H320, H323 and SIP support, for both point-to-point and MultiSite*.

If channels are dropped during a video meeting session, downspeeding[™] automatically maintains connections without interruption.

Security

Secure Conference[™] provides embedded encryption for both Point-to-Point and MultiSite call and ensures both privacy and security.

The system is delivered with integrated Expressway[™] firewall traversal technology. When used together with a TANDBERG Border Controller it enables:

- Secure and seamless traversal of ANY firewall.
- No missing features when traversing the firewall – works with H.264, MPEG4 audio, encryption.
- H.460.18 and H.460.19 ITU Standardized firewall traversal, support.
- Outside systems, such as home offices, to be part of the enterprise dial plan.
- Dialing to systems by numbers or URI, e.g. user@company.com.

NEW Highest level of embedded encryption as well as H.235 and IEEE 802.1x authentication for security

MultiSite*

The embedded MultiSite[™] functionality can cater for up to 4 video sites and 3 audio sites and supports screen layouts such as VoiceSwitched, AutoSplit, 4 Split and 5+1 Split. The optional embedded MultiSite functionality supports any combination of ISDN and IP participants in a conference (up to the total).

Superior quality and reliability in MultiSite calls is ensured by the systems support for:

- DuoVideo/H.239 to provide for presenting full PC resolution information
- H235, 802.1x and AES and DES encryption to provide security
- H.264 video algorithm to provide the best video at all bandwidths
- Rate matching[™] to support different call rates for all sites in a MultiSite
- Transcoding[™] to support different protocols for all sites in a MultiSite.

The TANDBERG video communication system can also be used as an audio telephone bridge (assuming ISDN connection(s)).

Presentations

The Natural Presenter Package* (NPP) makes it possible to include PC presentations in videoconferences and comprises:

- Digital Clarity[™] which transmits exceptionally high-quality, native resolution video.
- Duo Video[™]/H.239 which allows participants at the far end to simultaneously watch a presenter on one screen and a live PC presentation in native resolution on a second monitor (up to SXGA on compatible monitors).
- PC Presenter[™] which allows a PC connection via standard DVI/VGA cable supporting up to SXGA resolution.
- PC SoftPresenter[™] which shows PC images via a LAN connection supporting XGA resolution.
- Auto Layout to automatically choose the best layout for the call.
- PC Zoom which allows the native resolution PC image to be zoomed in/out with the remote control to get SXGA resolution.

Users can display video and presentations in the best layout based on the situation. Supported screen layouts are:

TANDBERG Edge 75/85/95 MXP

- Picture in Picture (PiP)
- Picture outside Picture (PoP)
- Side by Side

User interfaces

A web-interface to the codec provides:

- System management, diagnostics and software uploads.
- Text chat/closed captioning.
- Unicast Streaming – which allows broadcasting of audio/video via an IP network to a single compatible client (RealMedia™ or Apple Quicktime™) or streaming server.

The On-Screen Menu:

- Provides an easy interface for first-time users with symbols and descriptions.
- Builds upon the familiar current interface.
- Enhanced language support with Asian and non-Latin character text input in the menu for local language system names
- Simplified on-screen menu, Kiosk Mode, for special purposes

The remote control has a simplified look and feel, an auto system wake-up when picked up, and large, easy-to-read keys.

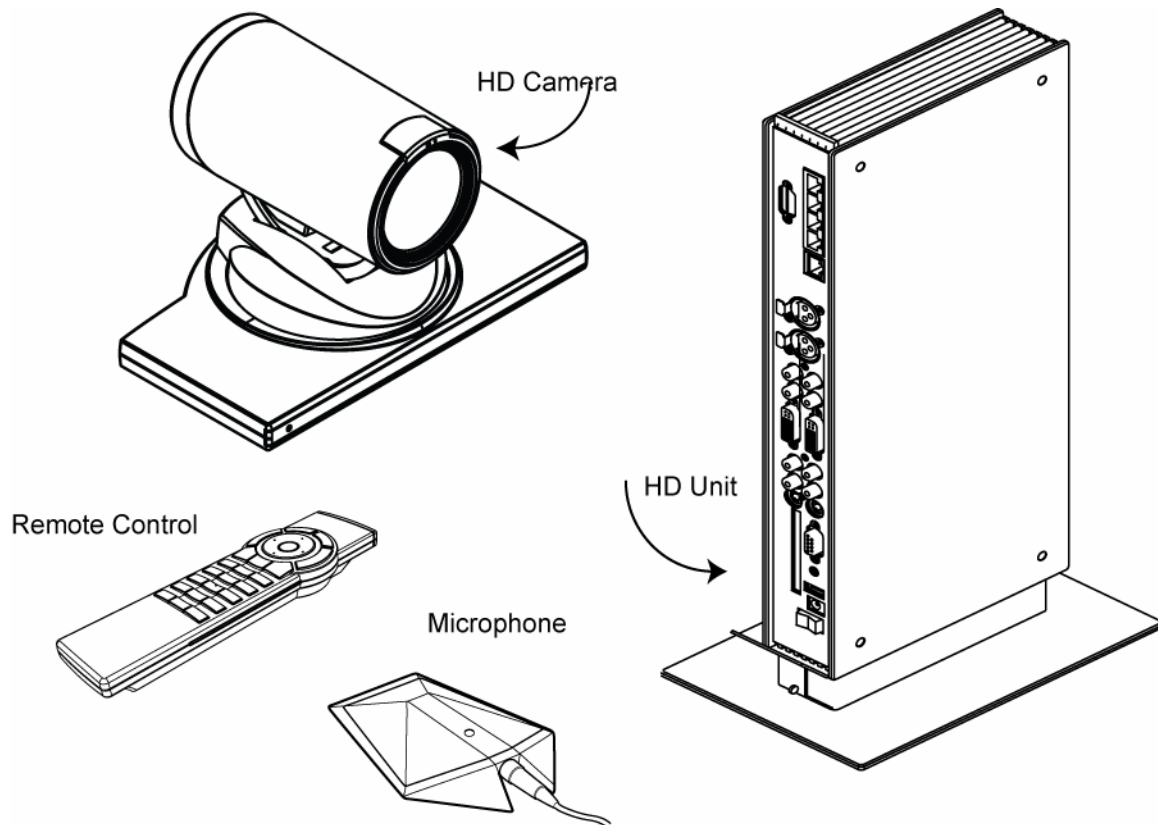
Interoperability

The TANDBERG Edge 75/85/95 MXP is worldwide compatible with other ITU standards-based videoconferencing systems from many other vendors worldwide.

** - optional feature. To check which options are installed, select Control Panel - Diagnostics - System Information in the menu.*

™ - TANDBERG First

1.1 At a Glance



TANDBERG Edge

TANDBERG Edge 75/85/95 MXP is delivered with TANDBERG Precision HD Camera and TANDBERG HD Unit with foot stand, which give a high definition video quality and are optimized for video meetings.

TANDBERG Precision HD Camera

The Precision HD Camera is a high resolution quality color camera with a fast pan/tilt/zoom/focus action. It is controlled by the system's remote control which operates pan, tilt, focus, zoom and backlight compensation. Up to fifteen camera positions can be pre-stored using Camera Presets.

TANDBERG HD Unit with Foot Stand

The TANDBERG HD Unit is the heart of the system. Its main task is the compression of outgoing video, audio and data, the transmission of this information to the far end and the decompression of the incoming information.

Remote Control

The remote control is used to control all functions of the system. If the screen saver is activated (black monitor), touching the remote control will automatically wake up the system. The remote control uses 4 AAA batteries. The system will tell you when batteries are running low. Change the

batteries at the back of the remote control. Please follow the guidelines on the packing material for handling and disposal instructions for the batteries.

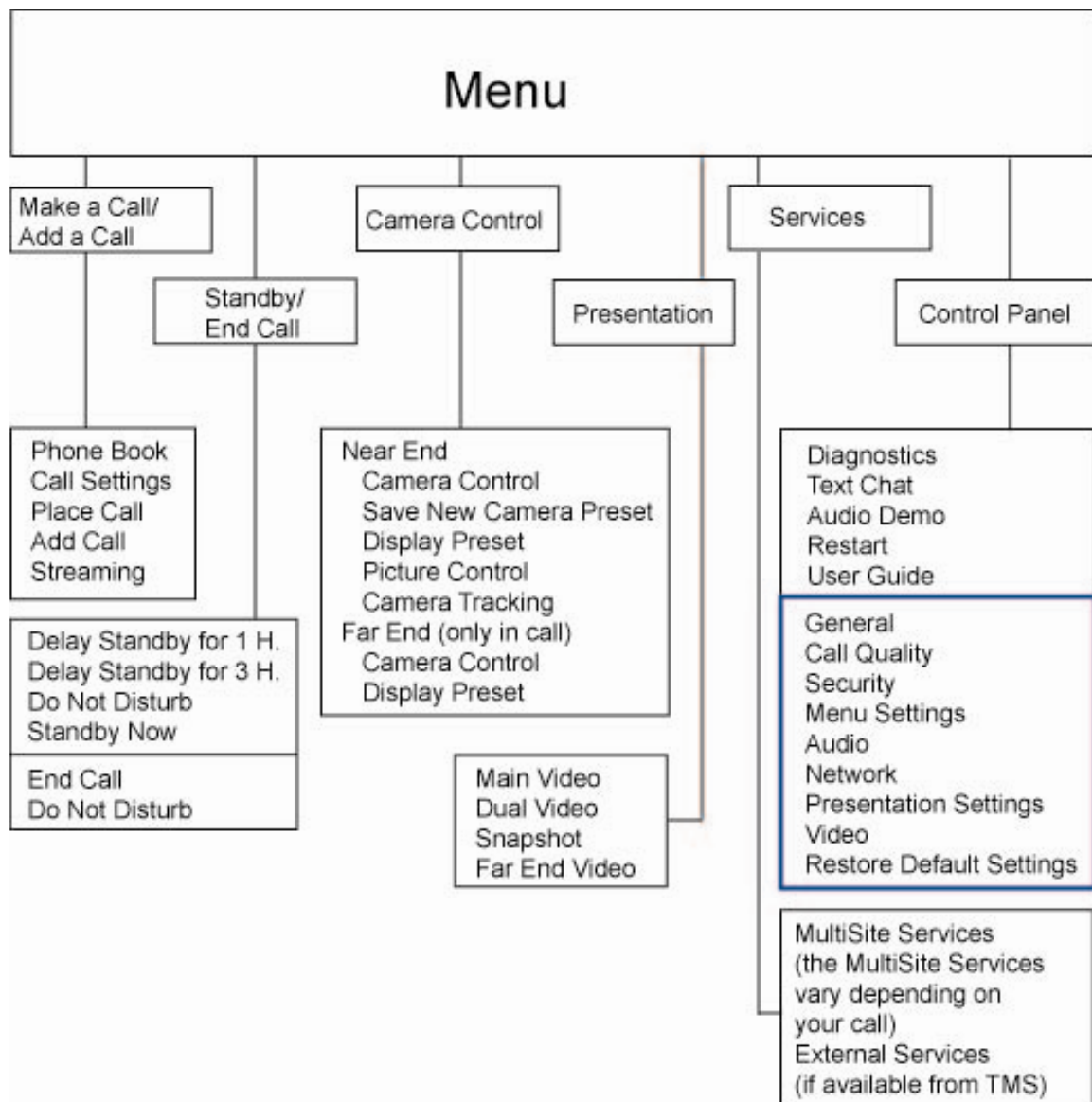
The reach of the remote control signal is 20 meters (65 ft). The remote control IR receiver is located on the camera. For users working in an open environment with multiple systems deployed, this can cause other systems to respond to your remote control. Use the little, white switch placed under the batteries to change the reach of the signal from 20 meters (65 ft) to 2 meters (6.5 ft). This will prevent you from unintentionally controlling another video system, when you control your own system.

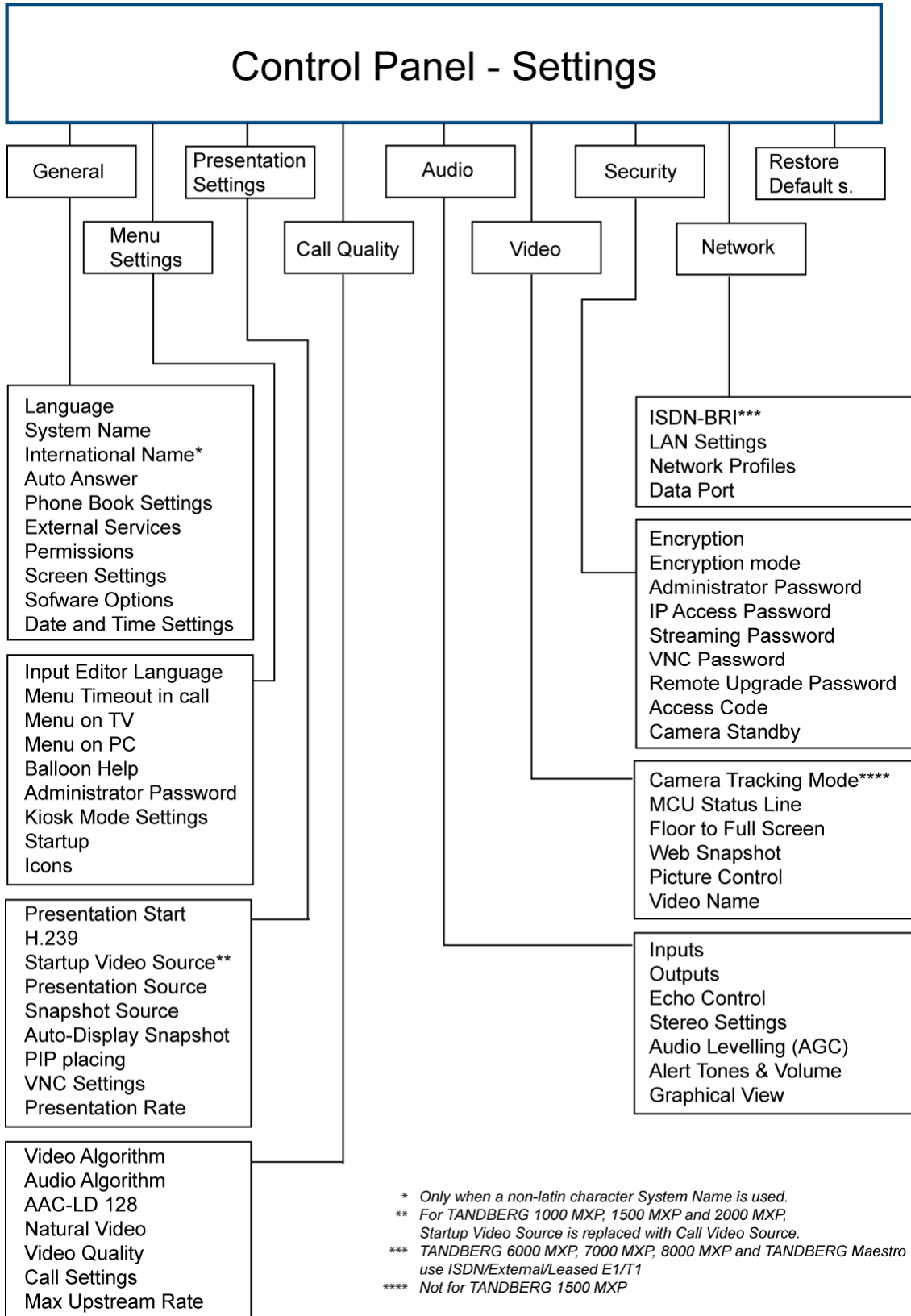
Microphone

The high quality table microphone is designed to be placed on a table during a video meeting. Up to two microphones can be connected. The ideal location for the microphone is on a flat surface at least 2m (6.5 ft) from the front of the system. The microphone cable should always point towards the system. The system will automatically equalize sound levels. Loud and soft voices are picked up and transmitted to the far end at approximately the same level.

1.2 Menu Structure

The Menu is available for all users and contains all the functionality of the system. The Control Panel contains all the settings of the system. Making changes to the settings will change the behavior of the system. The menu structure is shown below.





Note that the system features and menu settings may vary depending on network selection and software package.

2 Installation

Precautions:

- Never install communication wiring during a lightning storm.
- Never install jacks for communication cables in wet locations unless the jack is specifically designed for wet locations.
- Never touch uninstalled communication wires or terminals unless the telephone line has been disconnected at the network interface.
- Use caution when installing or modifying communication lines.
- Avoid using communication equipment (other than a cordless type) during an electrical storm. There may be a remote risk of electrical shock from lightning.
- Do not use the communication equipment to report a gas leak in the vicinity of the leak.
- Always connect the product to an earthed socket outlet.
- The socket outlet shall be installed near to the equipment and shall be easily accessible.
- Never install cables without first switching the power OFF.
- 1TR6 network type is not approved for connection directly to the telecommunications network. This network type is only to be used behind a PABX.

This product complies with directives: LVD 73/23/EC, EMC 89/366/EEC, R&TTE 99/5/EEC

2.1 Unpacking and Mounting

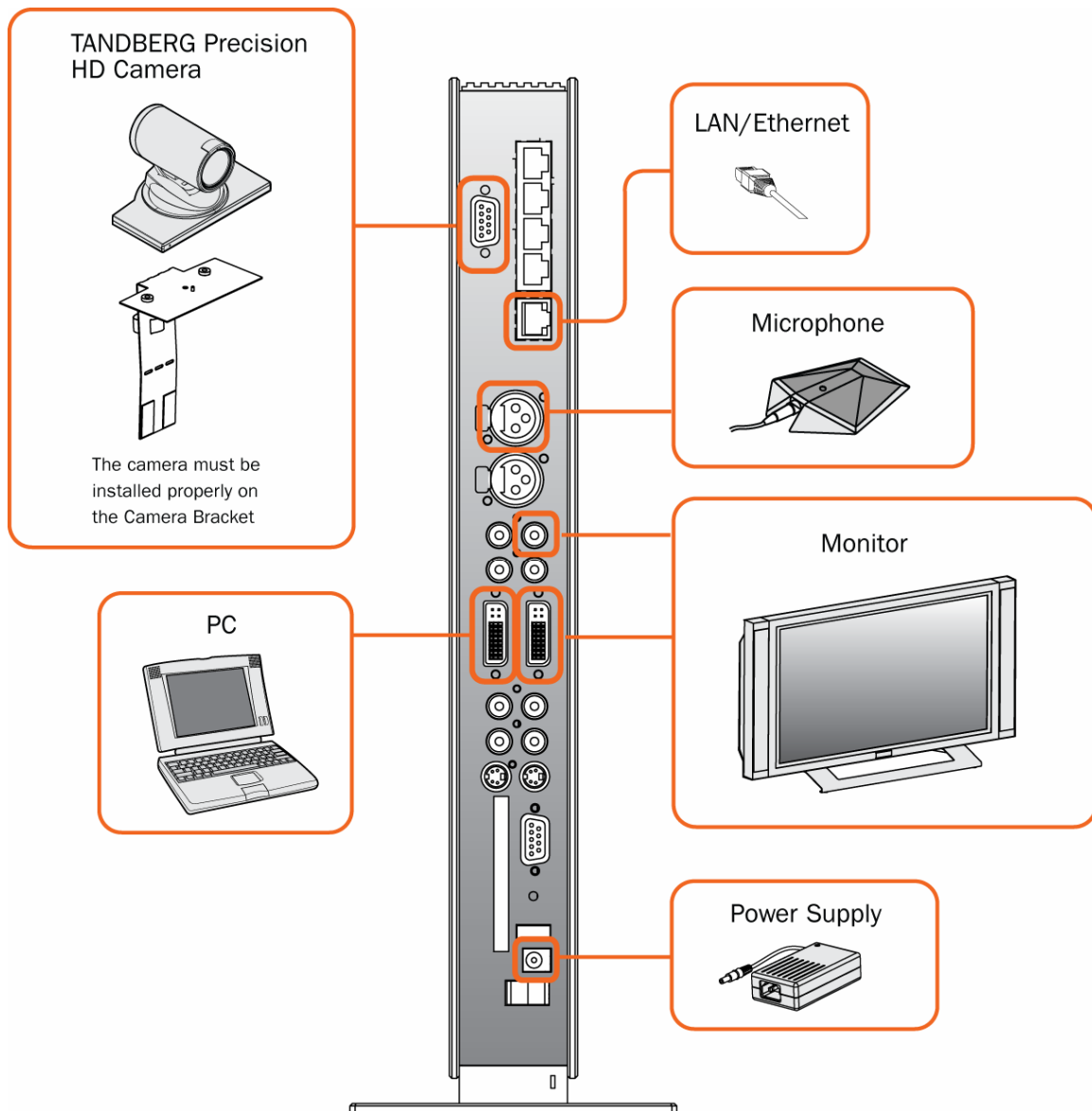
The TANDBERG Edge 75/85/95 MXP consists of the following items:

- TANDBERG Precision HD Camera
- TANDBERG HD Unit with foot stand
- Table Microphone
- Remote Control
- Batteries
- User Manual on CD
- Camera cable, LAN cable, ISDN cable, PC cable, microphone cable, monitor cable and power cable.
- Registration card

Place the system centrally, on top of the monitor, close to the front and ensure it is stable.

2.2 Connecting Cables

Connecting cables at TANDBERG Edge 75/85/95 MXP



Connect the cables in accordance to the description in the picture above.

2.3 Monitor Configuration

Power on

Power on the monitor and use the monitor remote control to select the Audio/Video input used (refer to the monitor manual). If using S-video from the system, remember to select S-Video input to avoid a black and white picture.

Select Audio/Video input on monitor

Selection of Audio/Video input used is generally performed by pressing the 0/AV button on the monitor remote control several times. Please refer to the monitor user manual for further information.

2.4 System Configuration

The system must be configured for each installation. Configuration settings can be made via the system menu.

Navigate through the menu system using the arrow keys and OK. Remember to press the Save button on the bottom of each menu to save the changes. Press Cancel (x) to return to the previous Menu. See [General Use](#) for more information about how to use the menus and the remote control.

General configuration:

1. Open the General Settings menu

Press OK/Menu to open the Menu, if not already displayed. Select Control Panel - General to open the General Settings menu.



2. Language

Press OK in the Language field and select the desired language from the list.

3. System Name / International Name*

Enter a name in the System Name field using the number keys on the remote control, in the same way as with a mobile or cellular phone. Hold down the # key for one second to switch back and forth from numbers to alpha characters.

4. Auto Answer, Phone Book Settings, External Services Settings and Permissions

These settings may be left unchanged if no special needs are required. See chapter [General Settings](#) for more information.

5. Screen Settings

When using wide screen (16:9) monitors, set TV Monitor Format to Wide (16:9). TANDBERG also recommends setting Picture Layout to Picture outside Picture when using 16:9 monitors. Picture outside Picture provides a display layout optimized for wide screen monitors. The display layout may be changed at any time using the Layout button on the remote control.

6. Software Options

To activate options for the system, a new option key must be entered in the Software Options menu (see paperwork accompanying the system). The Presenter option key should be entered under "New Option Key". Any bandwidth option key should be entered under "New Bandwidth Key". For more information on these options, please contact your TANDBERG representative.

7. Date and Time Settings

Select your preferred Date and Time Settings.

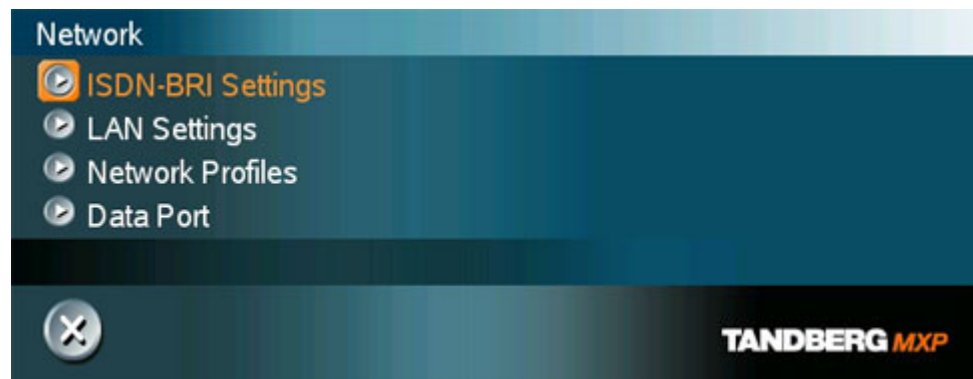
8. Save changes

Remember to save any changes made in a menu by selecting the Save button on the menu line and pressing OK.

Network configuration:

1. Open the Network menu

Press OK/Menu to open the Menu, if not already displayed. Select Control Panel - Network to open the Network menu.



2. ISDN configuration

Set the Network type to the desired network. Specify the settings for the selected network in the relevant menu. For details, follow the instructions in [ISDN-BRI Settings](#). See also the examples in [Appendix 9: Connecting the system to the Switched 56 network](#) and in [Appendix 10: Connecting the system to ISDN using NT1 network adapters](#).

3. LAN configuration

Select LAN Settings in the Network menu and specify the necessary LAN settings according to the instructions from your LAN administrator. For details, follow the instructions in [LAN Settings](#). If there is an H.323 Gatekeeper present on your LAN, refer to [H.323 Settings](#) as well.

4. Network Profiles

Please refer to [Network Profiles](#) for details

5. Data Port

Please refer to [Data Port](#) for details

6. Save changes

Remember to save any changes made in the menu by selecting the Save button on the Menu line and pressing OK.

** The International Name field is only visible if the system name contains Asian and non-Latin character text input.*

3 General Use

Wake up the system

When the system is not in use, it is in standby mode and the screen(s) are black. Wake up the system by picking up the remote control. An incoming call or pressing any key on the remote control will also wake up the system.

If the system does not respond:

- Make sure that the system is switched on by using the On/Off switch located at the rear of the Codec.
- Verify that your monitor is switched on. This is normally done by pushing the power button on the front of the monitor depending on monitor type.

3.1 The Welcome Screen

When the system is switched on, the welcome screen will be displayed. The welcome screen presents the menu and displays your main camera image in the background (display main camera is the default setting). The ISDN/IP numbers and the system name are displayed in the upper right corner. The ISDN Number and IP Number are the dial-in numbers of the system.

The welcome screen provides you with the most important system information:

- System Name
- Your ISDN Number
- Your IP Address or IP Number
- Indications of [Missed Calls](#) or [Warnings](#) if any

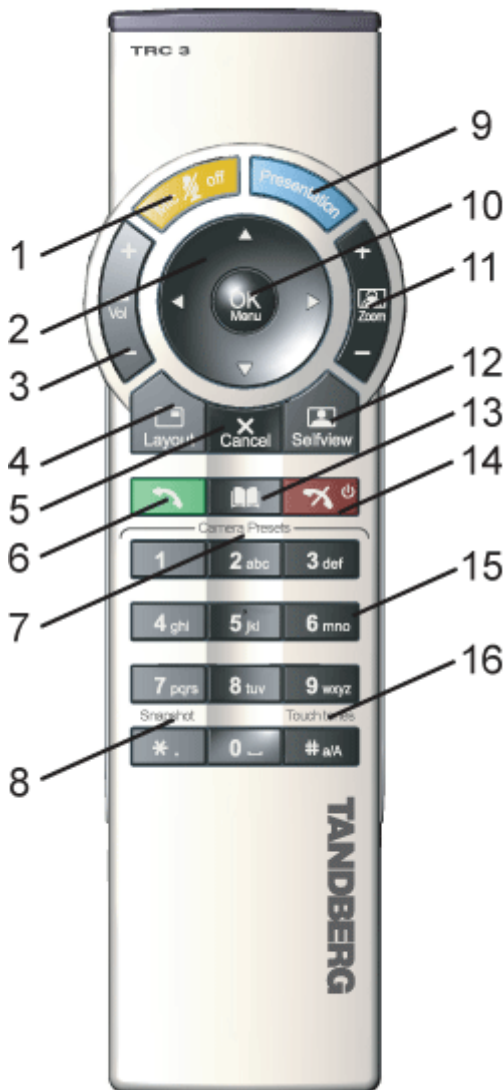
It is possible to customize the text on the welcome screen. See [Menu Settings](#) for how to edit the welcome text.



3.2 Using the Remote Control

The system is controlled with a remote control. Think of the remote control as a mobile phone with number keys and call keys. Use the arrow keys and press OK to navigate through the menus. The system's most commonly used functions are also accessible directly from the remote control. The Infra Red (IR) sensor for the remote control is located in front of the Camera. There is also a second IR-sensor located in the front of the Codec itself, which will be automatically enabled if the Camera is not connected.

The remote control (TRC 3)

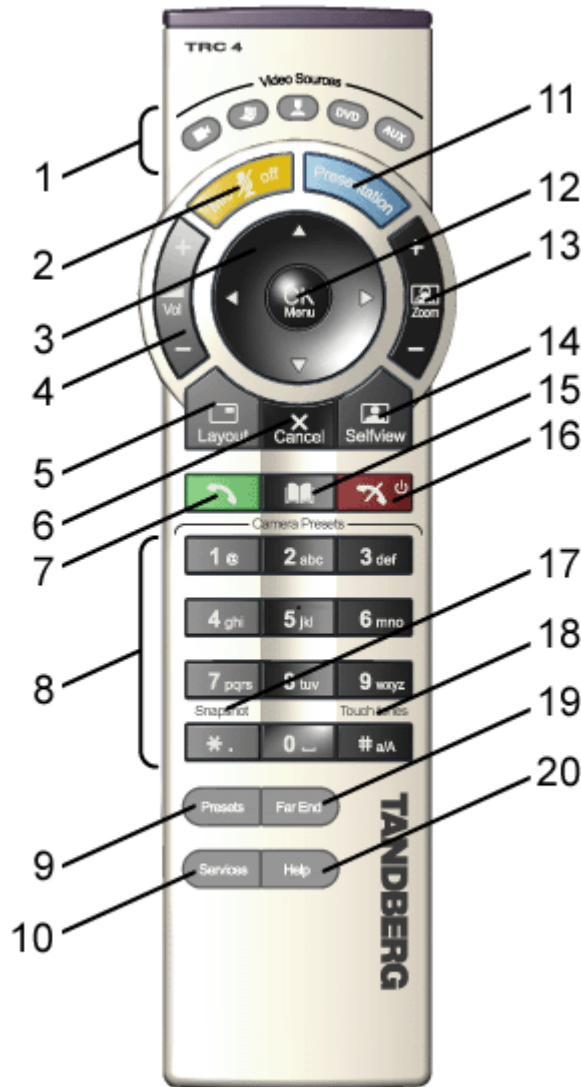


1. Mic Off turns your microphone on and off, see [Mic off](#).
2. Arrow keys are used for navigation in the menu and for moving the camera* when the menu is hidden, see [Navigation](#).
3. Volume + and - adjusts the Codec volume only and not the monitor's volume, see [Volume + and -](#).
4. The Layout key toggles between full screen and different display layouts, see [Layout](#).
5. Cancel takes you back one step in the menu system. Use Cancel to delete characters in an input field, see [Navigation](#). Press and hold the Cancel key for 1 second to close the menu.
6. Press the Call key to place a call, see [Make a Call](#).
7. Camera presets define specific camera positions. Move the camera to the desired position and press and hold a number key for 1 second to save the current camera position to that number key. To activate a preset whilst in a call, simply press and release that number key, see [Camera Presets](#).
8. Snapshot takes a snapshot of your video only while you are in a call, see [Take New Snapshot](#).
9. The Presentation key switches to a predefined presentation source. If the Presentation key is held down for 1 second then the Presentation video sources menu will appear, see [Presentation Key](#).
10. Press OK/Menu to show the menu and to select menu items, see [Navigation](#).

11. Use Zoom + and – to zoom the camera in and out.*
12. Selfview displays your outgoing video. Press Selfview again to turn selfview off, see [Selfview](#).
13. Use the Phone Book to store and recall video contacts for easy placement of calls, see [Phone Book](#).
14. Use the red End Call key to end the current call. Pressing this key when not in a call will place the system in Standby mode, see [End Call](#) and [Standby](#).
15. Number/Letter keys function in the same manner as with a mobile or cellular phone, see [Number and Letter keys](#).
16. Press Touch tones when you are in a call and need to dial extension numbers etc. (instead of presets). Press the OK/Menu button to exit Touch Tones, see [Touch tones](#).

*This does not apply to all systems with small integrated cameras.

The remote control (TRC 4):**



1. Change video source. If possible, you will start open a Dual Stream. Press the video source button again to stop the dual stream.
2. Mic Off turns your microphone on and off, see [Mic off](#).
3. Arrow keys are used for navigation in the menu and for moving the camera* when the menu is hidden, see [Navigation](#).
4. Volume + and – adjusts the Codec volume only and not the monitor's volume, see [Volume + and -](#).
5. The Layout key toggles between full screen and different display layouts, see [Layout](#).
6. Cancel takes you back one step in the menu system. Use Cancel to delete characters in an input field, see [Navigation](#). Press and hold the Cancel key for 1 second to close the menu.
7. Press the Call key to place a call, see [Make a Call](#).
8. Number/Letter keys function in the same manner as with a mobile or cellular phone, see [Number and Letter keys](#). Camera presets define specific camera positions. Move the camera to the desired position and press and hold a number key for 1 second to save the current camera position to that number key. To activate a preset whilst in a call, simply press and release that number key, see [Camera Presets](#).
9. Press Preset + a number to activate a preset.
10. Press the Services button to open the Services menu.
11. The Presentation key switches to a predefined

- presentation source. If the Presentation key is held down for 1 second then the Presentation video sources menu will appear, see [Presentation Key](#).
12. Press OK/Menu to show the menu and to select menu items, see [Navigation](#).
 13. Use Zoom + and – to zoom the camera in and out.*
 14. Selfview displays your outgoing video. Press Selfview again to turn selfview off, see [Selfview](#).
 15. Use the Phone Book to store and recall video contacts for easy placement of calls, see [Phone Book](#).
 16. Use the red End Call key to end the current call. Pressing this key when not in a call will place the system in Standby mode, see [End Call](#) and [Standby](#).
 17. Snapshot takes a snapshot of your video only while you are in a call, see [Take New Snapshot](#).
 18. Press Touch tones when you are in a call and need to dial extension numbers etc. (instead of presets). Press the OK/Menu button to exit Touch Tones, see [Touch tones](#).
 19. Pressing Far End turns Far End control on and off.
 20. Press the Help button to open the User Guide menu.

*This does not apply to all systems with small integrated cameras.

** Ordered separately

3.2.1 Navigation



Arrow keys and OK

Navigate in the menu with the arrow keys on the remote control. The orange selector on screen shows the selected item. Press OK to select.



Cancel key

In the Menu, pressing Cancel (X) will hide the menu. If the menu is hidden, bring it back with OK. In other menus, pressing Cancel (X) takes you one step back. In an input field, pressing Cancel (X) will delete characters/numbers to the left.



Back/Cancel button

The X button in the menu corresponds with the X key on the remote.

3.2.2 Selfview

The term “Selfview” means the outgoing image. In a normal call using the main camera, this is the image of yourself. The Selfview button toggles the images between Far End, Selfview and Dual Video (if any).

How to use Selfview:

1. Outside a call, pressing the Selfview button will switch between the near end video and a black screen/logo on the main monitor.
2. In a point to point call, press the Selfview button once to switch from far end video to near end video to see a full screen picture of the outgoing video. Press Selfview again to go back to normal.
3. In a point to point call with a dual video stream, the dual stream is displayed in the big picture. Press the Selfview button to toggle to the Near End picture, then the Far End picture, and finally back to the dual stream.

The above behavior is similar for both single monitor systems and dual monitor systems. Selfview applies to the main monitor.

3.2.2.1 Local PC Display

When using the screen as your PC screen, it is recommended to set Local PC Display to On, see [Screen Settings](#). That implies that you can display your PC locally while having a video meeting and you can keep on working without having the Far End participant viewing your PC screen.

Note that this applies to single monitor systems only.

It is also recommended to keep the Auto Layout setting On (default) to get a suitable layout when toggling from Local PC Display mode to standard conference mode.

Use the Selfview button to toggle between Local PC Display mode and standard videoconference mode. An indicator tells you that your PC image is displayed locally.

Example:

You are using the system as a PC and get an incoming call.

When the setting "Use Screen as Local PC monitor" is On, you will keep your PC image displayed locally and the incoming call pops up in a PIP or as smaller images in a 1+3 layout, depending on your system. You will see Local PC displayed in the big picture and Far End and/or Near End (your self) displayed in smaller pictures.

Press the Selfview button to switch to standard conference mode. The Local PC image is no longer displayed and Far End is displayed in the big picture or full screen. Press Selfview again to see Near End. Pressing Selfview a third time will bring back the Local PC display mode.

3.2.3 Picture Layout

The layout of the screen can either be shown as Picture in Picture (PIP) or Picture outside Picture (POP) when displaying more than one video image. The behavior of the Layout button is dependent on the Picture Layout setting in [Screen Settings](#).

3.2.3.1 Picture in Picture

When Picture Layout is set to PIP, the Layout button makes it possible to see a second image in a smaller view in one of the corners of the screen. The second image will be placed on top of the main image. The user can decide in which corner the second image is to be displayed.

3.2.3.2 Picture outside Picture

When Picture Layout is set to POP, the Layout button makes it possible to see up to three images in a composition optimized for wide screens. The second image can be displayed either as a side-by-side the main image (1+1) or smaller images next to the main image (1+2 and 1+3).

Press the Layout button once to get side-by-side view (1+1). Press again to get the layouts 1+2 and 1+3, and finally go back to full screen view. You can also go back to full screen directly by pressing and holding Layout for 1 second. It is recommended to use Picture outside Picture for wide screen monitor systems.

3.2.3.3 Auto Layout

The system will automatically choose the best layout for your call. The layouts vary depending on how many participants there are and if you use a dual video source or not. You can however always change layout manually with the Layout button. Auto Layout applies when you open or close a dual stream, or add or disconnect participants.

Auto Layout also includes the former automatic PIP. That implies that PIP will automatically be shown when suitable, e.g. to display selfview when you move your near end camera. The automatic PIP times out after a couple of seconds.

If Auto Layout is Off you will get no automatic layout changes during a call and the user must manually control the images with the Layout button. Auto Layout is default On. To turn Auto Layout Off, go to [Screen Settings](#).

3.2.4 Mic Off

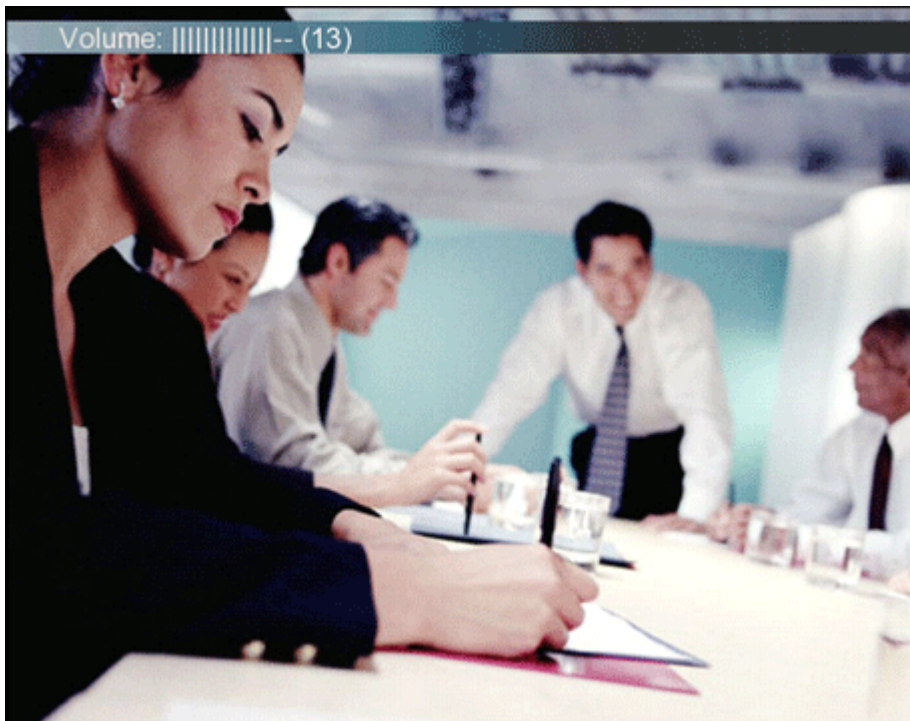
To mute the microphone during a call, press the Mic off button. An on-screen indicator appears in the upper right corner when the microphone is off. In a call, if audio is detected, the on-screen symbol will start to flash. Pressing the Mic off button one more time will activate the microphone again.

Note that Mic off will mute all microphone inputs, but will not mute audio from the AUX and VCR inputs.

When an incoming call is answered, the microphone may be in the off state because the Auto Answer setting is On+Mic off, see [Auto Answer](#). The icon will start to flash when you start speaking. Remember to turn the microphone on before a meeting.

3.2.5 Volume + and -

Press the Volume key to adjust the volume level of the codec only (not the monitor). An on-screen indicator will show the current level.



3.2.6 Number and Letter keys

Pressing a number key when outside a call will bring up the call menu. When in a call, the number keys are used for Camera Presets. Press a number and go to the corresponding Camera Preset (see [Camera Presets](#)). However, when accessing an input field where numbers are required, the system automatically goes to number mode and numbers can be dialed with the number keys as usual.

When accessing an input field where letters are required, the system automatically goes to letter mode. Writing letters works like on a mobile phone. Press the key that corresponds to your desired letter. Press the key as many times as needed to get the right letter. Change to lower or back to upper case letters with the a/A key, and space with the 0 _ key.

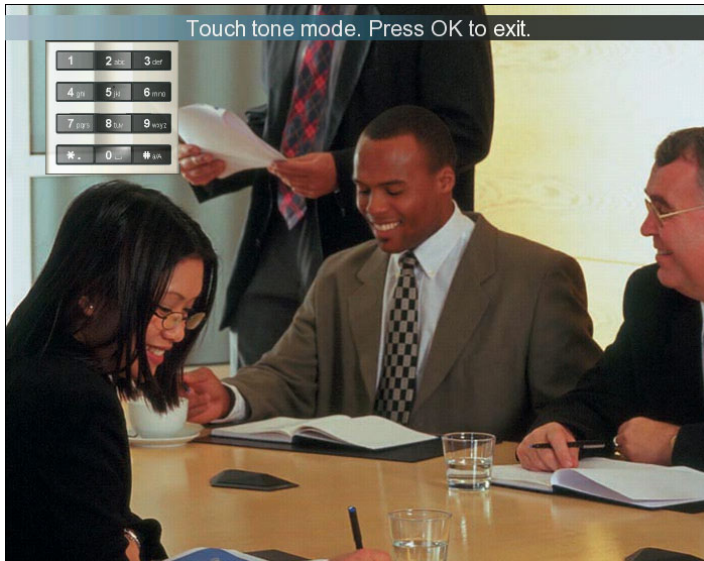
To write numbers in a text input field, press the button through all the letters. Press once more and the number will appear.

Example: How to write "System 123" in the System Name input field:

Press the 7-key four times to get an "S".
Press the #-key once to switch between upper case and lower case letters.
Press the 9-key three times to get a "y".
Press the 7-key four times to get an "s".
Press the 8-key once to get a "t".
Press the 3-key twice to get an "e".
Press the 6-key once to get an "m".
Press the 0-key once to get space.
Press the 1-key three times to get a "1".
Press the 2-key four times to get a "2".
Press the 3-key four times to get a "3".

3.2.7 Touch Tones

To activate dialing touch tones during a call, press the Touch tones button. Otherwise the number keys will work as configured in the Number Key Mode, see Control Panel – Menu Settings – Number Key Mode. An indicator will let you know that Touch tones are enabled. Press OK to exit Touch tone mode.



3.2.8 Presets and Extension Numbers

When pressing a number key on the remote control, while in a call, the user can decide what shall happen. The system can be configured to act automatic or manual.

While in a call, the user presses a number key to:

- add another call
- dial extension numbers
- use camera presets

Setting Number Key to Automatic:

Some users want the camera presets as the default action when pressing a number key, when in a call. The number keys can be configured to always act like this; or to act in accordance to any of the other available choices.

Setting Number Key to Manual:

Sometimes, when you are in a call, you need to switch between adding another call, dial extension numbers or use camera presets. Then you would want the system to give you a choice of what to do. If you configure the Number Key Mode to Manual you can select the preferred action when pressing a number key.

For more information about Number Key Mode, please see Control Panel - Menu Settings – Number Key Mode.

3.3 On-screen Indicators

The system has a number of icons signaling different settings:



Microphone Off

This indicator is shown when the microphone is turned off. Press the Mic off button again to turn the microphone back on, see [Mic Off](#) for details.



Volume Off

This indicator is shown when the volume is turned off. Press Volume + to turn the volume back on, see [Volume + and -](#) for details.



Secure Conference, AES

This double padlock indicator is shown when AES encryption (Secure Conference) is active, see [Security](#) for details.



Secure Conference, DES

This padlock indicator is shown when DES encryption (Secure Conference) is active, see [Security](#) for details.



Not Secure Conference

This open padlock indicator is shown during the initialization phase for AES or DES encryption. During this period the call is not secure, see [Security](#) for details.



Warning

This indicates that the system has detected a warning. Select the icon and press OK to see details on the warning. Please see [Warnings](#) for a list of possible warnings.



Bad Network

This indicator appears if the system detects network anomalies like packet loss (5%), jitter (200ms) etc., during a call. Open the menu by pressing the OK/Menu button and select the warnings icon too see details.



Floor

This indicator is shown when you are displayed in full screen in a multipoint conference, see [Request Floor and Release Floor](#) for details.



Telephone

This indicates that there is a telephone participant in the conference. The displayed number indicates how many telephone participants there are in the conference.



Duo Video / H.239

This indicates that there is a Dual Video Stream sent from you (near end). The feature Duo Video / H239 allows participants at the far end to simultaneously watch a presenter on one screen and a live presentation on the adjoining screen.

3.4 Using the Menu



Menu outside a call



Menu when in a call.

Press the Menu button on the remote control to display the menu. The menu contains all functions needed in order to control the system.

The menu contains the following items:

- [Make a Call/Add Another Call](#)
- [Standby/End Call](#)
- [Camera Control](#)
- [Presentation](#)
- [Conference Services](#)
- [Control Panel](#)
- Close

See [Menu Structure](#) for a full overview of the menu.

The functions of the menu are displayed as icons. The currently selected icon is marked by an orange square, and the name of the corresponding function is displayed on the line above, see the figure above.

Press the OK button to activate the currently selected function.

The menu automatically times out after 15 seconds if not used, see [Menu timeout](#). Press the Menu button to bring it back. It is also possible to hide the menu manually by pressing the Cancel button on the remote control or select the Close icon in the menu.

* Systems with no Camera Control icon available may have a Far End Control icon present when in a call and Far End Control is possible.

3.5 Make a Call

It is easy to make a call:

1. Press the green Call button on remote control and Dial Number
2. Press the green Call button again to initiate the call

Display the Call menu by either:

1. Select Make a Call from the menu, or
2. Press the green Call button on the remote control

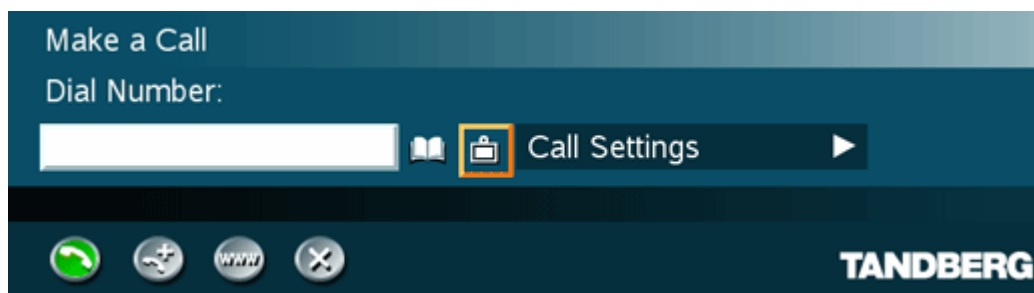
The TANDBERG system can make both [Video calls](#) and [Telephone calls](#).

[Call Settings](#) specifies the quality of the call. The Call Settings can be altered for the current call if required. The Call Settings are defined in Control Panel - Call Quality - Default Call Settings.

It is possible to start [Streaming](#) from this menu.

For setting up a conference, see [Add Call](#) for details.

- If the system has an embedded MCU (Multipoint Control Unit) you can set up a Multisite conference.



The Phonebook and Call Type Selector icons are placed to the right of the Dial Number entry field.

3.5.1 Place a Call

The TANDBERG system can make both [Video calls](#) and [Telephone calls](#). A Call Type selector button is placed to the right of the number entry field. The button shows if it is a video call (default) or a telephone call. Press the button to show a drop down list to select the type of call.

Display the Call menu by either:

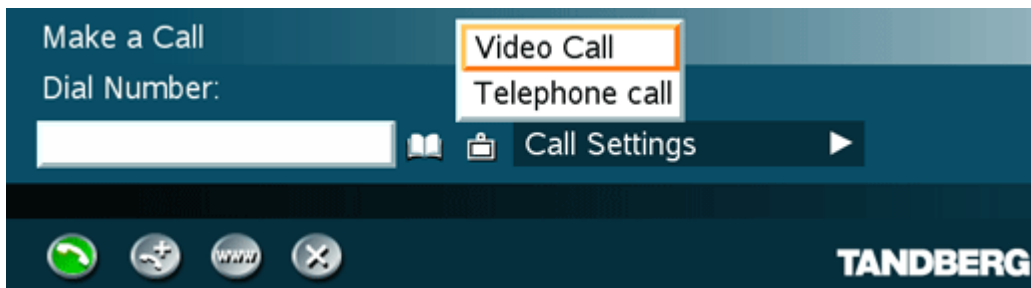
1. Select Make a Call from the menu, or
2. Press the green Call button on the remote control

In the Call menu enter the Dial Number either:

1. Manually, or
2. Select the book symbol in order to display the [Phone Book](#) and select a conference participant.

Select type of Call – Telephone Call or Video Call

1. If you are dialing manually you might need to change the type of call. A button to the right of the entry field shows if you have a telephone call or a video call. This button is called the Call Type Selector.
2. Click on the Call Type Selector to the left of the entry field and press OK to see the options. Select the type of call, Video Call or Telephone Call and press OK.



When dialing manually, toggle between ABC/abc by pressing the # button on the remote control and between abc/123 by holding the # button for one second. For IP addresses, use a star as separator in the IP address.

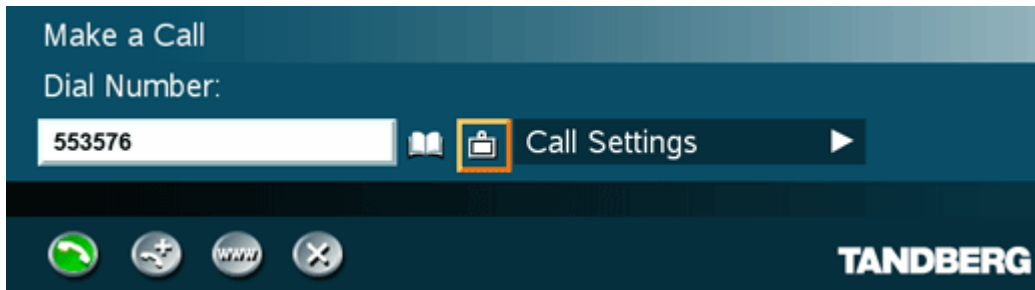
If you are making a video call and the system is registered on a gatekeeper or border controller with DNS support, there are several ways to call into the system:

- <IP address>
- <E.164>
- <H.323 ID>
- <H.323 ID>@<domain>
- <E.164>@<domain>
- <H.323 ID>@<IP address>
- <E.164 ID>@<IP address>

See [H.323 Settings](#) for details.

Place the call by either:

1. Use the arrow button on the remote control to select the Place Call icon and press OK, or
2. Press the green call button on the remote control.



TIP: When dialing a telephone number and pressing the green Call button on the remote control, the system will in most cases automatically interpret the number as a video number and not a telephone number. The interpretation can sometimes take a little while and it is faster to use the Call Type Selector button in the menu.

3.5.2 Add Call

(Optional feature)

Conference systems with built-in MultiSite can handle up to 4 video calls and 3 telephone calls simultaneously.

It is possible to both set up a conference with many participants and also add participants during a conference.

Set up a conference with two or more participants

Display the Call menu by either:

1. Select Make a Call from the menu, or
2. Press the green Call button on the remote control

Add participant(s) to the conference:

1. Select the Add Call icon and press OK.
2. Dial Number manually, or
3. Select the book symbol in order to display the Phone Book and select a conference participant, see [Phone Book](#) for details. It is also possible to select a predefined MultiSite entry, see [New MultiSite Contact](#). Press OK on the remote control.

TIP: Set up a list of all the wanted conference participants by selecting the Add Call the desired number of times, and enter their numbers afterwards.

Select the Call Type – Telephone Call or Video Call

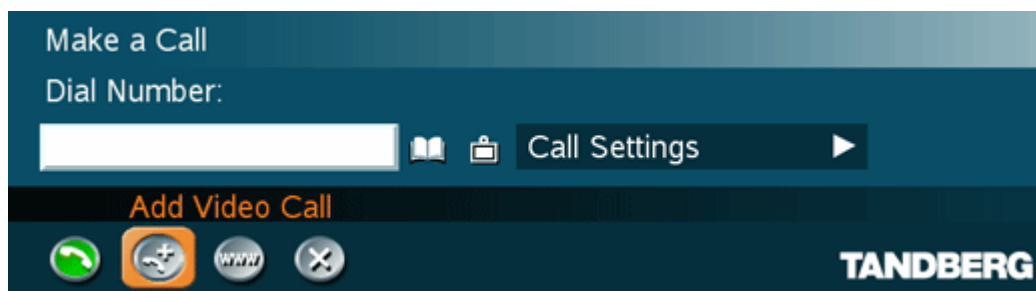
1. If you are dialing manually you might need to change the type of call. A button to the right of the entry field shows if you have a telephone call or a video call. This button is called the Call Type Selector.
2. Click on the Call Type Selector and press OK to see the options. Select the type of call, Video Call or Telephone Call and press OK.

Start Multisite conference:

1. When all participants have been added to the list, press OK button on remote control or select the Place Call icon on the menu to start the Multisite conference.

Add participant(s) during a conference:

1. Display the Call menu during a call and select Add Another Call from the menu, or the green Call button on the remote control.
2. Enter new participants in the same way as described above.



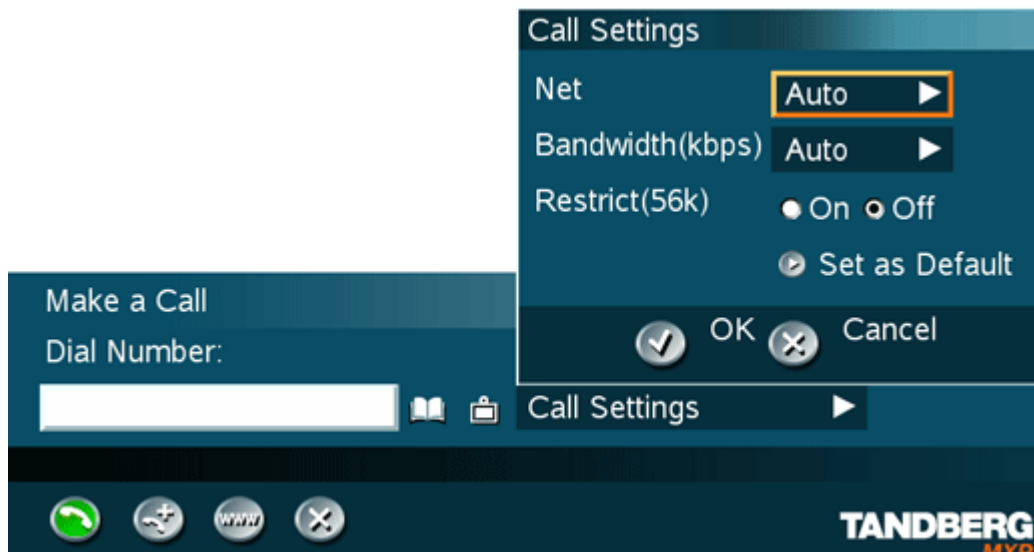
3.5.3 Call Settings

The Call Settings specifies the quality of the call. Each call will be set up with the Call Settings if the settings are not altered. Usually it is not necessary for the user to alter the settings.

The Call Settings are defined in Control Panel - Call Quality - Default Call Settings.

When setting up a call in the Make a Call menu:

1. Select the [Call Settings](#) field for the participant and press the OK button on the remote control.
2. Make desired changes to Network, Bandwidth and Restrict (56k). If this is to be the new default call settings, select Set as Default in the menu.
3. Select the OK icon and press the OK button on the remote control.



It is possible to make the changes made to the [Call Settings](#) default by selecting Set as Default and OK. These settings will now be the default settings for all future manually dialed calls.

These settings are also available in the menu Control Panel - Call Quality - Default Call Settings.

3.5.4 SIP Services

SIP enables you to use the features Add Call and Transfer even if your system doesn't have multipoint capabilities. To get the SIP Services available, you have to make a call using SIP as your Net. (See Call Settings)

3.5.4.1 Add Call

You can add another call to your existing SIP call.

How to Add another Call:

- 1) Open the menu by pressing OK (if it is not already open).
- 2) Press Add another Call or press the green button on the remote to open the Call menu.
- 3) Dial number of your next call. Press Place Call or press the green key on the remote control to connect the call.
- 4) The second call connects. The menu displays an icon below the menu line to indicate that you have a call waiting.

3.5.4.2 Transfer

It is possible to transfer your call to another number.

How to Transfer a point to point call:

- 1) Open the menu by pressing OK (if it is not already open).
- 2) Press Add another Call or press the green button on the remote control to open the Call menu.
- 3) Dial the number of the person you would like to transfer your call to.
- 4) Choose the Transfer Call button and press OK. Your call is transferred.

3.5.5 Streaming

Streaming lets you broadcast your meeting to participants on the web. The web participants can listen to the meeting, see snapshots, but not participate themselves. Snapshots of current stream (if MultiSite), selfview, far end and DuoVideo streams are accessible via http. See [Appendix 6](#) for descriptions of the possible snapshot files.

How to use Streaming:

1. Choose Streaming from the Call Menu to open the Streaming menu.
2. Press Start Streaming from the menu line. An indicator will appear on the screen when streaming is activated.
3. Press Stop Streaming to end streaming. Streaming will also end when you disconnect the call.
4. Press Streaming Settings if you want to change streaming settings (see Streaming Settings below)

How to view streaming from a PC:

1. After streaming is started, an easy way to view the streamed audio/video is to start your Web browser and enter the IP-address of the streaming system.
2. After the Web page of the system is shown, click on Streaming. Alternatively, enter `http://<codec/ip-address>/showstream.ssi`

Streaming Settings

Address	Address is defined as the IP-address of a streaming client, streaming server or a multicast address. Giving an address in the range 224.0.0.1-239.255.255.255 will broadcast the stream to any host that has joined the specified multicast group. Specifying normal broadcast address 255.255.255.255 will broadcast to any members on the LAN.
Address Port	If several codec's are streaming to the same IP-address, different ports have to be used in order for the client to know which stream to receive. If the first codec streams on port 2240 and the second codec on port 2250, the client has to specify which port to listen to. Video is transmitted on the specified port; audio is transmitted on the port number 4 greater than the specified video port, in this case 2244 and 2254.
TTL/Router Hops	This is used for streaming data to limit how many routers the data should pass before it is rejected. If TTL is set to 2, data will not traverse more than 2 router hops.
Streaming	<ul style="list-style-type: none"> ▪ Auto: Enables streaming of both local and far end video.

Source*	<p>Selection of which site to be streamed is done using voice switching (the site that speaks is streamed).</p> <ul style="list-style-type: none"> ▪ Local: Only the local video will be streamed. ▪ Remote: Only the far end video will be streamed. <p>Local and far end audio is always streamed.</p>
Allow Remote Start	<ul style="list-style-type: none"> ▪ On: Streaming can be started from external user interfaces like the Web-browser or Telnet session. ▪ Off: Streaming can only be started from the Video System User Interface using the remote control, or by using the Data port. This will prevent activation of streaming using Web browser or Telnet sessions. See also Password section below
Announcements	<ul style="list-style-type: none"> ▪ On: The codec will send announcement packets to the network that it is streaming. This enables a streaming client (e.g. a PC) to connect to the codec's streaming session. Used by Cisco IP/TV. ▪ Off: No announcement packets will be transmitted.
Video Rate	<p>Defines the Video streaming rate from the system. Range is 16 kbps - 320 kbps. In addition, audio (G.711) streaming rate is 64 kbps, providing a maximum streaming rate of 384 kbps.</p>
Streaming Password	<p>Set password so that only participants entering correct password will be able to view the streaming session. Entering a password will prevent unauthorized people from accessing the streaming session.</p>

*The streaming source setting is not available when streaming only is supported outside a call.

3.5.6 Dialing In From Outside the Enterprise

Dialing in Without Being Registered to a TANDBERG Gatekeeper

The feature enhancement enables dialing through a TANDBERG Gatekeeper without being registered to it. This makes it easy to call in from a video system outside the enterprise.

It's done by dialing: `EndPointAlias@GatekeeperAddress[:Port]` where:

- **EndPointAlias:** is the alias of the endpoint you want to call, the endpoint you call must be registered with this alias on the gatekeeper
- **GatekeeperAddress:** is either the IP-address of the gatekeeper in the form a.b.c.d (or IPv6 a:b:c:d:a:b:c:d) or the DNS name (A/AAAA or SRV record) of the gatekeeper.
- **Port:** is optional and gives the Q.931 port to initiate the call. The port default is 1720 and can in most cases be left out.

Currently the SRV records `_h323cs._tcp.` and `_h323ts._tcp.` are supported.

If using an IP-address, or if not specifying the port, the default is using the normal Q.931 with port 1720.

NOTE! To be able to make such a call, this feature must be enabled in your gatekeeper or border controller, and the called endpoint must be registered with the enterprise gatekeeper or border controller.

3.6 Answer an incoming call

How to answer an incoming call:

- To accept an incoming call, press the OK button or the green Call button on the remote control.

How to reject an incoming call:

- To reject an incoming call, select the Reject icon and press the OK button, or press the End Call button on the remote control.



Incoming calls will connect automatically if Auto Answer is set to On, see [Auto Answer](#) for details.

When idle, the system will accept all incoming calls as long as Incoming MCU Calls and Incoming Telephone Calls are set to On, see [Permissions](#) for details. Also, Do Not Disturb must not be activated, see [Do Not Disturb](#) for more details.

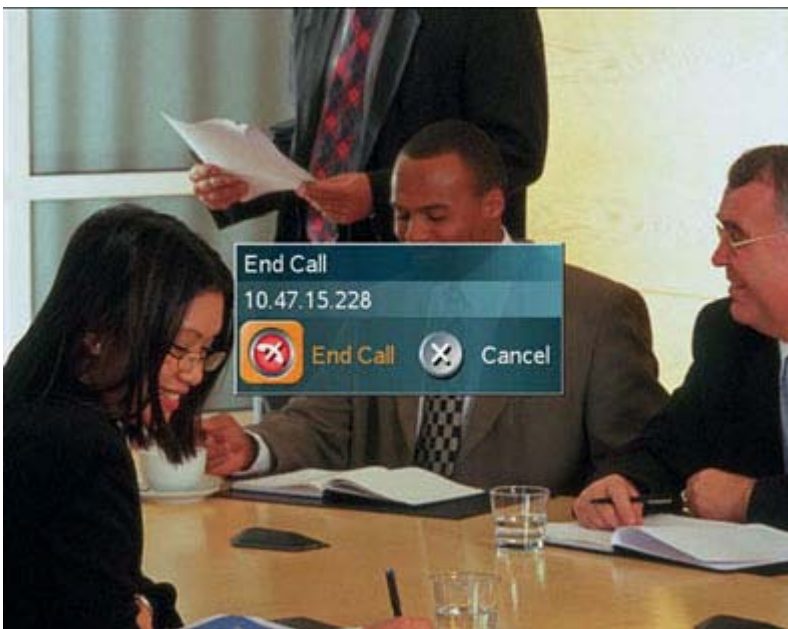
3.7 End Call

How to end a call:

- Press the red End Call button on the remote control, or
- Press the Menu button on the remote control to display the menu and select End Call.

When the End Call dialog box is displayed either:

- Press the red End Call button on the remote control again, or
- Press the OK button to confirm that the call is to be ended.



How to end a MultiSite call:

In the list of participants:



Note that switching off the monitor(s), using the power button on the monitor, will not end a call. Some systems come with monitors that are not possible to switch off.

3.8 Standby

The system will automatically go to Standby mode when it is not in use. In standby mode, the screen(s) are black. It is however still possible to receive incoming calls.

How to enter standby mode manually:

- Select Standby from the menu and select Standby Now, or
- Press the End Call button on the remote control twice.

How to exit standby mode:

- When the system is in standby, pick up the remote control, or press any of its keys to activate the system again.

The standby mode of the system should be enabled if the system is to be left idle.

Note! Standby is not activated by switching off the power to the monitor(s) (some systems come with monitors that are not possible to switch off.).

When Camera Standby Mode is On

When Camera Standby mode is On, the camera turns away when standby is activated. When the system is activated the camera turns back to normal position.

If the system is set for Use screen as Local PC monitor, see [Screen Settings](#), the Standby mode will be disabled when the codec detects a video signal from the PC. If the PC video signal is not detected, the standby mode will be re-enabled.

It is possible to postpone the system from entering standby mode for 1 hour or 3 hours, see [Delay Standby for 1 hour](#) and [Delay Standby for 3 hours](#).

3.8.1 Delay Standby for 1 hour

Delay Standby for 1 hour postpones the system from entering standby mode for 1 hour.

This function is useful when using the monitors for a local presentation to prevent the system from automatically blanking the monitors.

It is also possible to postpone the system from entering standby mode for 3 hours, see [Delay Standby for 3 hours](#).

3.8.2 Delay Standby for 3 hours

Delay Standby for 3 hours postpones the automatic standby mode for 3 hours.

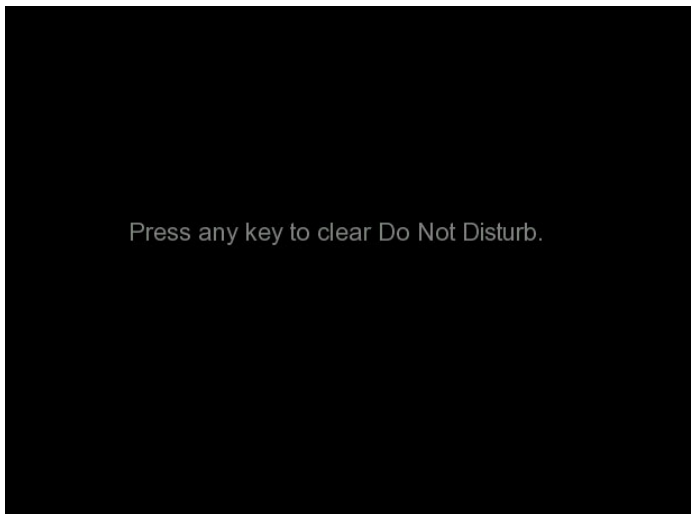
This function is useful when using the monitors for a local presentation to prevent the system from automatically blanking the monitors.

It is also possible to postpone the system from entering standby mode for 1 hour, see [Delay Standby for 1 hour](#).

3.8.3 Do Not Disturb

To prevent the system from accepting any incoming calls, activate the Do Not Disturb function. The caller will hear a busy tone when calling the system. The monitor will be black when Do Not Disturb is active, see figure below. This is useful when using the display for a presentation as a local PC monitor and you do not wish any incoming calls during the presentation.

End Do Not Disturb by pressing any key on the remote control.



3.9 Phone Book

The Phone Book is available via the Phone Book button on the remote control or from the Make a Call menu.

Using the Phone Book is time saving and prevents the user from inadvertently calling the wrong number. The contacts are sorted alphabetically. The contact names are displayed in the list and the telephone or video numbers, bandwidth and net profiles of the selected contact are displayed at the bottom line.

Navigate up and down in the Phone Book with the arrow keys on the remote control. Use the letter keys to search through the contacts beginning with the typed letter.

Find names starting with a "C":

- Press the 2-key three times to get a "C".

*Find the name **Charlie**:*

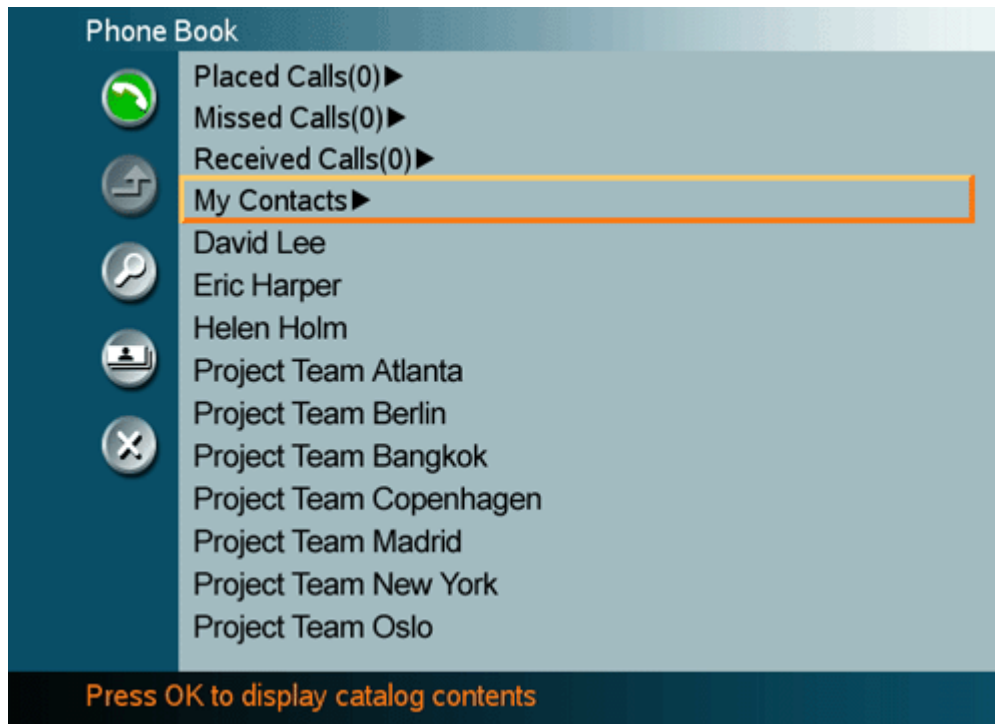
- Press the 2-key three times to get a "C".
- Press the 4-key two times to continue with a "h".

Remove letters by pressing the Cancel button on the remote control.

The Up One Level button brings you to the top of list and clears all letters typed.

The functions in the Phone Book are available when pressing the left arrow key on the remote control, and then the up and down arrow keys. Note that the last selected contact will be marked.

When selecting Phone Book the phone book opens showing the folders Placed Calls, Missed Calls, Received Calls and My Contacts. Global Contacts are listed below these folders.



The following information is available from the Phone Book:


- [Placed Calls](#)
- [Missed Calls](#)
- [Received Calls](#)
- [My Contacts](#)
- [Corporate Contacts / Global Contacts](#)

3.9.1 Call Log

The Call Log lists Placed Calls, Missed Calls and Received Calls. That allows the user to see which calls that are made in the past. The lists contain a maximum of 30 numbers and the numbers are stored in these lists until the system is restarted. If the contacts listed are available in the phone book, the names will be displayed instead of the numbers.

Placed Calls lists all outgoing calls, Missed Calls lists the calls that are not accepted and Received Calls lists all incoming calls. The calls in the lists are marked with these icons:

 outgoing calls

 incoming calls

 missed calls

The following buttons are available from these folders :

- Call Now
- [Copy to My Contacts](#)
- Delete
- Delete All
- Cancel

How to make a call using the call lists:

1. Select a number from the list.
2. Press the green Call button on the remote control, or press the left arrow key to select the Call Now icon, followed by OK. The call will be set up as a video call or a telephone call depending on the selected contact. Alternatively, press the OK button when the contact is selected. The Make a Call menu will then be displayed with the name of the contact in the Dial Number field, and the Call Settings field will reflect the call settings for this contact. It is possible to alter the call settings before placing the call. The call will be set up as a video call or a telephone call as described in Make a Call.
3. Wait for the call to connect.

How to delete numbers in the call lists do one of the following:

- Choose the Delete button to delete a selected contact from the call list.
- Choose the Delete All button to delete all contacts listed in the call list.

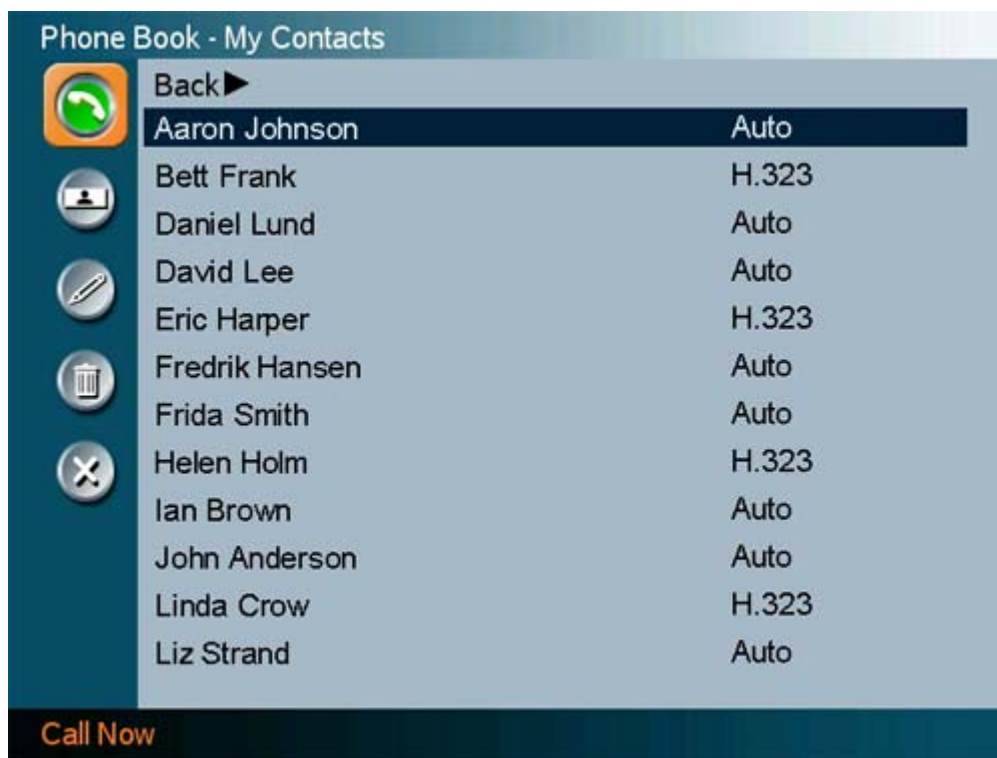
Note that you will not delete contacts from the Phone Book if you delete them from the call lists.

3.9.2 My Contacts

My Contacts are the locally stored contacts on the system. This means that it is possible to add new contacts and edit or delete existing contacts. My Contacts can store up to 200 contacts.

How to make a call using My Contacts:

1. Find the desired contact using the arrow keys or searching on the first letters with the letter keys.
2. Press the green Call button on the remote control, or press the left arrow key to select the Call Now icon, followed by OK. The call will be set up as a video call or a telephone call depending on the settings made when storing the contact. Alternatively, press the OK button when the contact is selected. The Make a Call menu will then be displayed with the name of the contact in the Dial Number field, and the Call Settings field will reflect the call settings for this contact. It is possible to alter the call settings before placing the call. The call will be set up as a video call or a telephone call as described in [Make a Call](#).
3. Wait for the call to connect.



Note that the telephone or video number and profile of the selected contact are displayed on the bottom line.

The following functions are available from My Contacts:

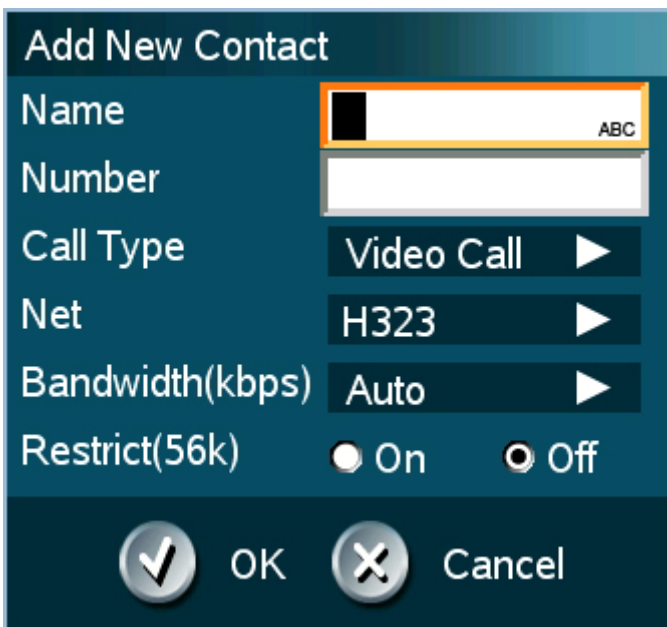
- Call Now
- [New Contact](#)
- [New MultiSite Contact](#)
- [Edit Contact](#)
- [Delete Contact](#)
- Close

3.9.2.1 Add New Contact

The New Contact function is available from [My Contacts](#).

Add a new contact to My Contacts by:

1. Select the New Contacts button to open the New Contacts dialog box.
2. Enter Name by using the letter keys on the remote control. Input will automatically be interpreted as letters. Toggle between capital letters and small letters by pressing the # button on the remote control. The maximum name length is 30 characters. For numbers, press the # button for one second.
3. Enter Number by using the number keys on the remote control. Input will automatically be interpreted as numbers. The maximum number length is 60 numbers. Use a star as separator in IP addresses. For letters, press the # button for one second.
4. Alter the default setting of Call Type if necessary.
5. Alter the default setting of Network if necessary.
6. Alter the default setting of Bandwidth if necessary. For bandwidth 2x64 kbps or 2x56 kbps, two numbers are required, see Default Call Settings for more details.
7. Alter the default setting of Restrict (56k) if necessary.
8. Press OK to save.



Add New Contact

Name

Number

Call Type **Video Call** ▶

Net **H323** ▶

Bandwidth(kbps) **Auto** ▶

Restrict(56k) On Off

OK Cancel

3.9.2.2 New MultiSite Contact

(Optional feature*)

The New MultiSite Contact function is available from [My Contacts](#).

It is possible to pre-define the participants of a conference meeting as a MultiSite Contact. All participants in the MultiSite Contact will then be connected automatically instead of having to call the participants one by one.

My Contacts can hold up to 50 MultiSites Contacts. The MultiSite Contacts consist of participants that are already stored in My Contacts.

It is possible to have up to a total of 4 video participants and 3 telephone participants in a meeting.

How to define a New MultiSite Contact:

1. Open the Phone Book via the Phone Book button on the remote control or in the Make a Call menu.
2. Select the New MultiSite Contact icon. The New MultiSite Contact dialogue box is displayed.
3. Enter a name of the MultiSite Contact, and press OK on the remote control.
4. Select Add Participant. The content of the Local Phone Book is displayed. Find the desired contact and press the OK button on the remote control. Repeat until all the desired participants are selected.
5. Press OK to save the MultiSite Contact.

MultiSite

Name ABC

Add Participant ▶

Add Participant ▶

Add Participant ▶

Add Participant ▶

Add Participant ▶

Add Participant ▶

Add Participant ▶

Add Participant ▶

Add Participant ▶

Add Participant ▶

OK Cancel

Bandwidth for a MultiSite Contact call

When calling a MultiSite Contact, the system will try to call the participants with their specified bandwidths. If the total bandwidth exceeds the system's maximum bandwidth the system will downspeed and distribute the available bandwidth equally among all the participants.

Example: In a MultiSite Contact there is one participant with bandwidth 256kbps and one participant with bandwidth 384kbps. 512kbps is the maximum bandwidth of the system.

The two participants' bandwidth exceeds the maximum bandwidth. The system will then downspeed so that each participant connects with equal bandwidth, i.e. $512\text{kbps}/2 = 256\text{kbps}$.

* The MultiSite option is not available on the TANDBERG 550 MXP, TANDBERG 770 MXP and TANDBERG 1000 MXP

3.9.2.3 Edit Contact

The Edit Contact function is available from [My Contacts](#).

How to edit a contact in the Local Phone Book:

1. Select the contact that is to be edited.
2. Press the left arrow on the remote control, followed by the down arrow until the Edit Contact icon is selected.
3. The current settings for this contact is displayed in a dialogue box. Alter the wanted settings.
4. Press OK to save.

If the altered contact is part of a MultiSite Contact*, the contact will be updated in the MultiSite Contact automatically.



The screenshot shows a dark blue dialog box titled "Edit Contact". It contains several fields and controls:

- Name:** Helen Holm
- Number:** 45678
- Call Type:** Video Call (with a right-pointing arrow)
- Net:** H323 (with a right-pointing arrow)
- Bandwidth(kbps):** Auto (with a right-pointing arrow)
- Restrict(56k):** On (selected with a radio button) and Off (unselected with a radio button)
- Buttons:** An orange "OK" button with a checkmark icon and a grey "Cancel" button with an "X" icon.

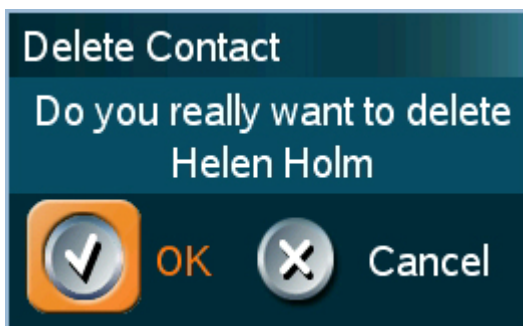
* The MultiSite option is not available on all systems.

3.9.2.4 Delete Contact

The Delete Contact function is available from [My Contacts](#).

How to delete a contact:

1. Select the contact that is to be deleted.
2. Press the left arrow on the remote control, followed by the down arrow until the Delete Contact icon is selected. The Delete Contact dialogue box is displayed.
3. Confirm by pressing the OK button again.



3.9.3 Corporate Contacts / Global Contacts

When selecting Phone Book the phone book opens showing the Global Contacts* or the Corporate Directory** below the folders: Placed Calls, Missed Calls, Received Calls and My Contacts.

These contacts cannot be changed locally by the system, only from the management system. If there is a need to modify the number or any settings of a contact before making a call, select the contact and press OK on the remote control. The Make a Call menu is displayed and the settings can be altered before placing the call. The changes are not saved.

How to make a call using Global Contacts:

1. Find the desired contact using the arrow keys or searching on the first letter with the letter keys or use the search function described in [Search](#).
2. Press the green Call button on the remote control, or press the left arrow key to select the Call Now icon, followed by OK. The call will be set up as a video call or a telephone call depending on the settings made when storing the contact. Alternatively, press the OK button when the contact is selected. The Make a Call menu will then be displayed with the name of the contact in the Dial Number field, and the Call Settings field will reflect the call settings for this contact. It is possible to alter the call settings before placing the call. The call will be set up as a video call or a telephone call as described in Make a Call.
3. Wait for the call to connect.

From Global Contacts the following functions are available:

- Call Now
- [Up one Level](#)
- [Search](#)
- [Copy to My Contacts](#)
- Close

* The Global Contacts are stored locally on the ftp-server of the system. This will include the first 400 entries of the Corporate Directory, and will not contain any folders. This directory is hidden from the user as long as the system is able to fetch the Corporate Directory, otherwise the Global Contacts will be displayed.

** The Corporate Directory is available if the system is connected to an external management system like the TANDBERG Management Suite (TMS) and if it is enabled in Phone Book Settings.

3.9.3.1 Up one Level

Global Contacts can be arranged in a tree structure with several sub folders. Use the Up one Level button to navigate up in the tree structure.

When a search in the Global Phone Book is made by using the Search function, only contacts matching the search text are displayed. Select the Up one Level button to return back to the alphabetical list.

3.9.3.2 Search

The phone book can contain an unlimited amount of global contacts. Using search makes it easier to find the wanted contact.

How to search in the Global Phone Book:

1. Select the Search icon.
2. Enter search text in the dialogue box that appears and press the OK button on the remote control. The system will list all entries that contain the entered letter combination.
3. It is also possible to search on first letter in the Phone Book with the letter keys on the remote control.

3.9.3.3 Copy Contact to My Contacts

The Copy Contact to My Contacts function is available from the Placed Calls, Missed Calls, Received Calls and Global Contacts folders, see [Phone Book](#) for details.

It may be wise to copy contacts that are often used to My Contacts. Note that the local copy will not be updated if the Global Contacts are updated from the management system.

How to copy a contact from the Global Phone Book to the Local Phone Book:

1. Select the contact to be copied to My Contacts.
2. Press the left arrow on the remote control, followed by the down arrow until the Copy Contact to My Contacts icon is selected.

A message box telling that the operation was successful will be displayed.

3.10 Camera Control

There are several ways to control the camera:

- Control the camera directly with the arrow keys when the menu is closed or use the Move Camera function in the menu to control both the near end and far end camera, see [Move Camera](#) and [Far End Control](#) for details.
- Use the zoom button on the remote control will zoom the picture in (+) and out (-).
- Use Camera Presets, see [Camera Presets](#) for details.
- Adjust focus, brightness and white balance, see [Picture Control](#) for details.
- Use Automatic Camera Tracking, see [Camera Tracking](#) for details.
- Use the TANDBERG Tracker, see separate instructions included with the TANDBERG Tracker.

3.10.1 Move Camera

It is possible to move the camera with the remote control or via the menu.

Moving the camera directly with the remote control

When the menu is hidden, the arrow keys will work on the camera. If the menu is displayed, press the Cancel button on the remote control to hide it. Use the left and right arrow keys to pan the camera, and the up and down arrow keys to tilt the camera. Use zoom + and – to zoom in and out.

Moving the Camera via the menu:

1. Select the Camera Control icon from the menu.
2. Select the Move Camera button in the Camera Control menu.
3. Use the arrow keys on the remote control to pan and tilt the camera.
4. Press OK when done.

3.10.2 Far End Control

Far End Control allows you to control your conference partner's camera. An example of when this feature could be especially helpful is if it is not possible to see what a participant at the far end is writing on their white board. Use Far End Control to move the far end camera and zoom closer on the white board. Far End Camera Control is useful if e.g. it is not possible to see what a participant at the far end is writing on their white board. Use Far End Control to move the far end camera and zoom closer on the white board. Use the left and right arrow keys to pan the camera, and the up and down arrow keys to tilt the camera. Use zoom + and – to zoom in and out.

You can also control your conference partner's video sources and presets and even request a snapshot from the far end side. Enabling Far End Control will put the system in Far End mode and camera control, camera preset, presentation, and snapshot will work on the far end camera.

Far End Control only works when you are in a call and if the far end side supports H.281 (Far End Camera Control). You can prevent others from controlling your system by setting Allow Far End Camera Control to Off in Control Panel - General - Permissions, see [Permissions](#) for details.

How to use Far End control:

1. Select the Camera Control icon in the menu.
2. Select the Far End Control icon. When far end camera control is selected an indicator will appear and it is possible to control the far end camera, camera preset, presentation and snapshot for the far end.
3. Deselect the Far End Control button to deactivate far end control mode. This may also be done by pressing the Cancel or the OK button.

Far End Camera Presets

Far End Camera Presets work just like your own camera presets. When Far End is on, use the number keys to activate far end camera presets. You are however not allowed to save far end camera presets.

Far End Presentation

Pressing the Presentation key or choosing a presentation from the presentation menu while Far End is on, will result in opening a far end presentation. Be aware of that the far end video sources may not correspond with the buttons in the presentation menu. If you press Document Camera, the far end side might have configured another video source on this input.

Request snapshot from the Far End

You can request a snapshot from the far end side. Put the system in Far End mode and press Snapshot on the remote control to take a snapshot of the current far end video (current is default snapshot source).

3.10.3 Camera Presets

Use camera presets to easily vary between predefined near end camera angles. This is useful when pictures from many different camera angles have to be sent to the far end. E.g. in a meeting there is a white board, a PC and a small meeting table. Use camera presets to move between these camera perspectives in order to present the correct information to the participants at the far end without having to move the camera manually every time. A preset is deactivated when the camera is moved manually with the arrow keys.

Presets are available from the menu. When you are in a call you can also activate presets directly from the remote control. You can save up to 15 presets. Each camera preset is able to store camera angle, video source and audio source selection.

How to use preset directly from the remote control:

When you are in a call you can activate presets with just one press on the number keys on remote control. The number keys will however not work as presets when you are in an input field, in order to write numbers or letters.

1. Press a number on the remote control. The camera will move to the corresponding angle, or video source, stored on that number.

How to use presets via the menu:



1. Select Camera Control - Display Presets in the menu.
2. Select the wanted preset with the arrow keys on the remote control and press OK.

How to save a new preset directly from the remote control:

1. Move the camera to the desired position or select the desired video source that you would like to store as a preset.
2. Press a number on the remote control for 1 second to save the preset. It is possible to store one camera preset on each of the number keys, 0-9, when storing camera presets from the remote control. (Camera preset 10 is stored on the 0-key).
3. The new camera preset will overwrite any existing camera preset on that number.

How to save a new Preset via the menu:



1. Move the camera to the desired position or select the desired video source that you would like to store as a preset.
2. Select Camera Control - Save New Camera Preset in the menu.
3. Enter a number between 0 and 14 and press OK.
4. Type a name for the preset to make it easier to separate the different presets.
5. Press Save. The new Camera Preset will overwrite any existing camera preset on that number.

3.10.4 TANDBERG Tracker

How to save presets for the TANDBERG Tracker:

1. Select which camera preset is to be used on the TANDBERG Tracker.
2. Move the camera to the desired position to store on the tracker.
3. Select Move Camera - Save New Preset in the menu.
4. All camera presets are accessible from the TANDBERG Tracker.

For more information, see separate instructions included with the TANDBERG Tracker.

3.10.5 Picture Control

Focus, Brightness and White balance are set for auto focus, auto brightness and auto white balance by default. If you need to set focus, brightness and white balance manually, go to Picture Control in the Camera Control menu.

Focus

Auto	Auto focus continuously updates the focus throughout the call. When moving the camera, the system will use auto focus for 5 seconds to set the right focus of the new camera position. After 5 seconds auto focus is turned off to prevent continuous focus adjustments of the camera.
Manual at Precision HD Camera	When Manual is selected the + and - buttons are enabled. Select the + or - button and press OK button to adjust the focus. The manual focus has 10 steps. If focus is set manually, the system will stay in manual focus and not change to auto focus automatically even if you zoom or move the camera. When the user zoom or move the camera and manual focus is on, the indicator line should say "Manual Focus".
Manual at WAVE II Camera	When Manual is selected, the slide bar is enabled. Use the arrow keys to adjust the focus. The temporary focus will last until you move the camera again and auto focus will take effect.

Camera Brightness

Auto	Auto brightness continuously updates the brightness of the camera picture.
Manual	When Manual is selected, the slide bar is enabled. Use the arrow keys to manually adjust the camera brightness. If brightness is set manually, the system will keep this brightness level also when the camera is moved. When the user zoom or move the camera and manual brightness is on, the indicator line should say "Manual Brightness".

White Balance

Auto	Auto white balance continuously updates the white balance.
Manual	When Manual is selected, the slide bar is enabled. Use the arrow keys to manually adjust the white balance. The manual white balance has 10 steps. If white balance is set manually, the system will keep this white balance also when the camera is moved. When the user zoom or move the camera and manual white balance is on, the indicator line should say "Manual White Balance".

Backlight Compensation*

On	The Backlight Compensation can be set to On.
-----------	--

	Backlight is used to compensate for lights shining directly at the camera (usually the sun entering the window) to avoid a too dark image from the room.
Off	The Backlight Compensation can be set to Off (default).

** The Backlight setting is only valid for Precision HD Cameras*

3.10.6 Camera Tracking

Through Camera Tracking and the use of two or three microphones, the camera can automatically position itself on the current speaker. Before using camera tracking, the camera positions used must be stored at Preset 7 (Mic1) and Preset 8 (Mic2).

How to use Camera Tracking:

1. Select the Camera Control icon in the Menu.
2. Enable Camera Tracking by choosing Camera Tracking. An indicator will appear on the screen.
3. End Camera Tracking by deselecting the Camera Tracking button. Camera Tracking will also end if you activate a camera preset or move the camera manually with the arrow keys.

Example: You have placed Microphone 1 on the table. Where should you position the camera for Preset 7?

The camera position stored at Preset 7 must be related to Microphone 1. Therefore all participants who are located closest to Mic1 should be included in the Preset 7 camera position etc. When camera tracking is activated and a person close to Mic1 speaks, Preset 7 will be automatically selected.

When activating another video source (for instance document camera), camera tracking will be temporarily disabled until you re-select Main Camera or a Main Camera preset.

The camera tracking speeds may be altered in the Video Settings menu in Control Panel, see [Camera Tracking Mode](#) for further details.

A Voice Detector makes the system more tolerant of noise and ensures the camera not to move by noise such as paper shuffling, etc.

Note that pressing Mic Off will temporarily disable camera tracking until you turn on the microphone again.

3.11 Presentation

The Presentation Functionality in the system enables you to show other available video sources in addition to your Main Camera. This is perfect for meetings where you would like to show a PowerPoint presentation, for example. You can even use arrow keys up and down on the remote control to activate Page Up/Down on the PC (this only applies when using VNC).

Use Presentation outside a call to make a local presentation for the people in your own meeting room. Use Presentation when you are in a call to make a presentation for the far end as well.

The quickest way to show a presentation is to use the [Presentation Key](#) on the remote control. The presentation key shows a predefined video source, PC is the default. It is possible to change the presentation source in the Presentation menu. Choose Presentation from the Menu if you want to select a video source manually. The [Presentation Menu](#) offers you all the available video sources supported by your system.



3.11.1 Presentation Key

The quickest way to show a presentation is to use the presentation key on the remote control. The presentation key is used to start and stop a presentation. The presentation key will display PC (default*).

When holding the presentation key for 1 second, the presentation menu will be displayed. This menu allows you to choose other video sources.

You can also find the Presentation button in the Menu on screen. Select Presentation button and press OK on remote control.

The default presentation source can be permanently changed in [Presentation Settings](#).

When using the presentation key, your presentation will be displayed as a [Dual Stream](#), if possible. If the call does not support a dual video stream, the presentation will display as main video stream.

How to start and end a Presentation using the Presentation key:

1. Press the Presentation key. The video source that is set as presentation source is displayed in full screen (PC is default). Remember to connect your [PC](#) to the codec in advance.
2. Press the Presentation key again to end the presentation and go back to main camera.

* If available on your system.

3.11.2 Presentation Menu

The Presentation menu offers you all available video sources; Main Camera, PC, Document Camera, VCR, AUX and VNC. All these sources can be used as Main Video Stream or Dual Video Stream (Duo Video / H.239). Not all systems has all video sources available, see [Interfaces](#) for details.

Outside a call the presentation menu only contains Main Video Sources. In a call, the headers Dual Video and Snapshot display in addition to Main Video (if the call supports Duo Video /H.239). Use the up/down keys to change between video sources and headers. Start a Dual Stream by selecting a Dual Video source. Close the Dual Stream by deselecting the video source button.

Note that [Dual Video Stream](#) may not be available if the option is not installed, not supported on your system or if already activated. Use the up/down keys to change between video source and header.

For Snapshots, see [Take New Snapshot](#) and [Display Snapshot](#).

How to change your main video source:

1. Choose the Main Video header from the Presentation menu.
2. Choose your desired video source and press OK.



How to show a presentation in addition to your main video (Dual Video Stream):

1. Select the Duo Video header.
2. Choose a dual video source and press OK.
3. Deselect the active video source button to end the presentation.



3.11.3 PC Presenter (DVI/VGA Input)

(Optional feature - not available on all systems)

Users often have their presentations on a laptop that is brought into the meeting room. Remember to connect your PC to the codec before you press the Presentation button. Note that the image will appear smoother on the system if your presentation is already displaying in full screen on your PC prior to connecting your PC to the video system.

Plugging a PC into the system is made extremely simple through the PC Presenter, avoiding the need for any additional hardware such as a projector, PC/Video converter or extra cables.

How to connect a PC to the codec with the DVI/VGA cable:

1. Connect the VGA-DVI cable to the PC Presenter (PC DVI-I in) connector on the codec.
2. Connect the VGA-DVI cable to your PC (VGA Output).
3. If you would like to use audio as part of the presentation, connect the headset jack on your PC to the audio input on the PC presenter VGA cable.
4. When the PC is connected to the codec, hit the Presentation key to display the PC image on the system.



If no PC image is displayed on your monitor, make sure that your PC is set to activate your VGA output. On most laptop PCs you must press a special key combination to switch the PC image from the PC screen to the video screen.

Note that the DVI/VGA input is compliant with VESA Extended Display Identification Data ([EDID](#)) and will be able to reconfigure the PC's screen settings if it is currently configured to a VGA format that the system doesn't support.

Also note that you can use the DVI input to transmit high resolution images from document cameras or other sources supporting the HD format 720p.

For details on formats supported on 'DVI-I in', please refer to [Interfaces](#).

3.11.4 PC Soft Presenter and VNC

(Optional feature)

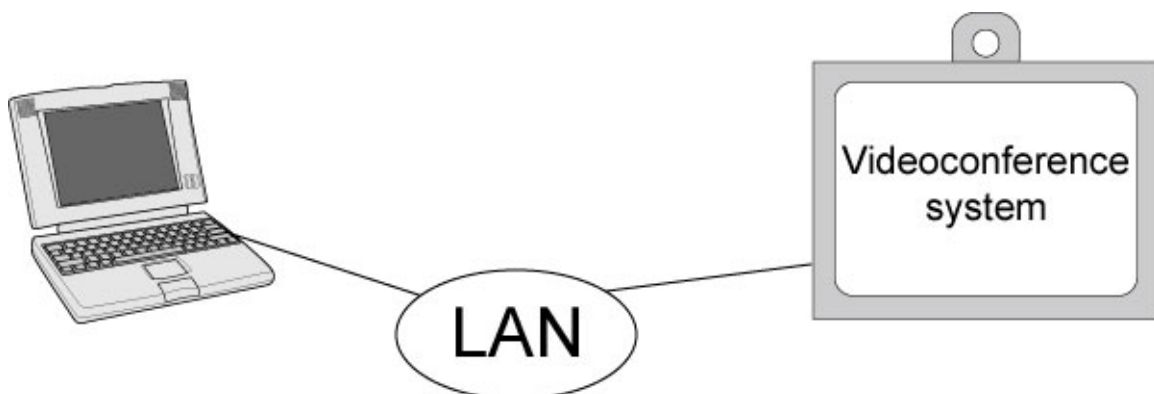
PC SoftPresenter is used to display PC images on your system without using a VGA cable (PC Presenter). The system and your PC must be connected to the same LAN. In addition, VNC (Virtual Network Computing) server software must be installed on the PC. Free software can be downloaded from <http://www.realvnc.com>. Install the software by running the downloaded file.

How to configure the VNC Server software:

1. Select the following to setup VNC; Windows-Start\All Programs\Highlight RealVNC\Highlight VNC Server>Show User Properties
2. Select Accept Socket Connections.
3. Select Auto for Display Number. Display Number in the system must then have the value 0.
4. Enter a password in the Password-field. This must correspond with the VNC Settings on your system.

How to show PC using the PC Soft Presenter and VNC:

1. Start the VNC software on your PC.
2. To use VNC, you must configure [VNC Settings](#). Open VNC Settings in the Presentation Settings menu in Control Panel.
3. Fill in the IP address of your PC, Display Number and Password.
4. Press Save.
5. When you now choose VNC as video source in the Presentation menu, you will see your PC using VNC. If a PowerPoint presentation is being displayed then you can scroll through the presentation by pressing the up and down arrows on the remote control. VNC settings will go back to default when the system goes to standby.



3.11.5 Dual Stream (DuoVideo^{TF}/H.239)

(Optional feature - not available on all systems)

With Dual Stream you have the opportunity to show two different live video streams simultaneously, main video and one additional source. This is handy when showing a presentation. You see the live presentation and the live video of the presenter simultaneously. When you start a presentation, Dual Stream starts automatically if both local and remote system supports Dual Stream. If one of the systems does not support Dual Stream, no second video stream will be established and your presentation will be shown as your main video.

Dual Stream is available on all systems with Natural Presenter Package installed. H.239 is the new ITU standard defining how to send two video sources simultaneously.

Example:

Start a meeting with main camera as video source. Press the presentation key on the remote control to start a PC presentation.

PC will appear as a Dual Video Stream in addition to main camera. End the Dual Stream presentation by pressing presentation key again.

In [Presentation Settings](#), you can set Presentation Start to Manual. That means that Dual Stream will not start automatically.

Example:

Start a meeting with main camera as video source. Press the presentation key on the remote control to start a PC presentation.

A dialog box appears where you can choose to show PC as Dual Video Stream or not. This is handy if you not always want to use Dual Stream.

Dual Stream and Bandwidth

Using Dual Stream, the quality automatically downspeeds to the optimal bandwidth. This means that you need higher quality to allocate enough bandwidth for the two video streams. Dual Stream borrows bandwidth from main video stream. When Dual Stream is closed, the bandwidth is returned to the main video.

Note that when selecting the Document Camera or PC, the system will automatically request floor when connected to a MCU conference as MultiSite host* or connected to an external MCU.

* Not available on all systems.

3.11.6 Take New Snapshot

The system can take a snapshot of your live video. Snapshot is handy when you are in a call with a system that does not support Dual Stream. Use Snapshot to show a snapshot of your presentation and continue the meeting with main camera.

How to use snapshot:

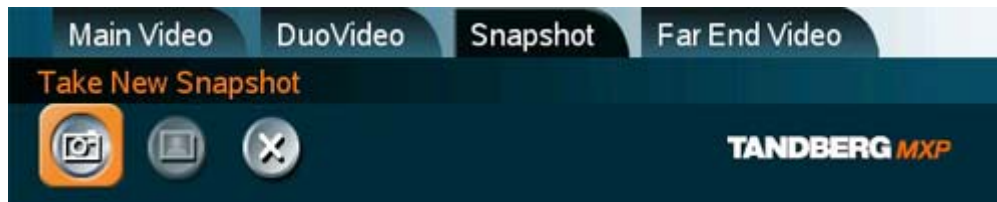
You find Take New Snapshot in the Presentation menu.

1. Select the Snapshot header.
2. Select Take New Snapshot and press OK to take a snapshot.

Snapshot is found on the Star key on the remote control.

1. Press Star and you take a snapshot of the current video source (current video is default snapshot source). You can change the snapshot source in Control Panel - [Presentation Settings](#). Note that snapshot does not work when you are in an input field in the menu (the star key is then used to write the star sign).

Note that Take New Snapshot is not possible when Dual Video Stream is activated and that it is only available when you are in a call.



Note that the Snapshot feature uses H.261 Annex D and hence will not work when using H.264 video compression

3.11.7 Display Snapshot

The system stores the last sent or received Snapshot. The snapshot is deleted automatically after the call.

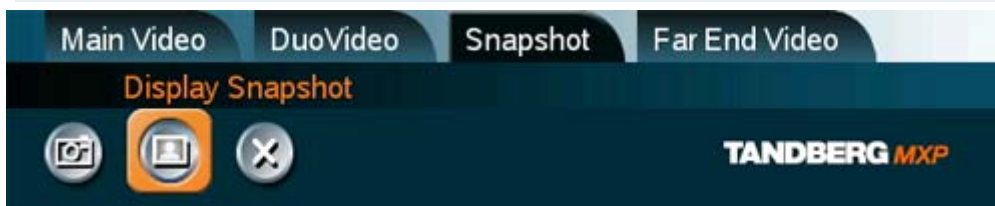
How to display snapshots:

1. To view a stored snapshot, first choose the Snapshot header.
2. Select Display Snapshot in the Presentation menu.
3. Press the Hide Snapshot button to deselect it.
4. When disconnecting the call, the stored snapshot will be erased.

Receiving snapshots:

1. When receiving a snapshot, the snapshot is displayed in full screen.
2. Press OK to exit from the snapshot. The last sent or received snapshot will be stored in the graphics memory and erased once the call is disconnected.

Note that Display Snapshot is only available when you have a stored snapshot.



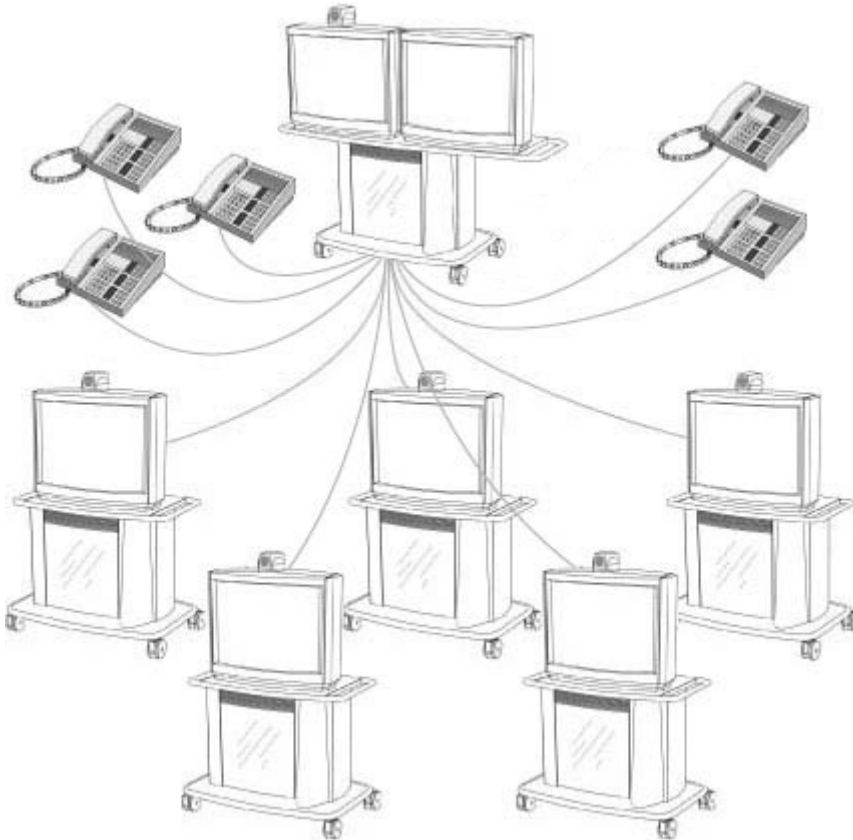
3.12 Services

A Multipoint Control Unit (MCU) enables several sites to participate in the same conference. During an MCU conference, the status line will provide information about the conference.

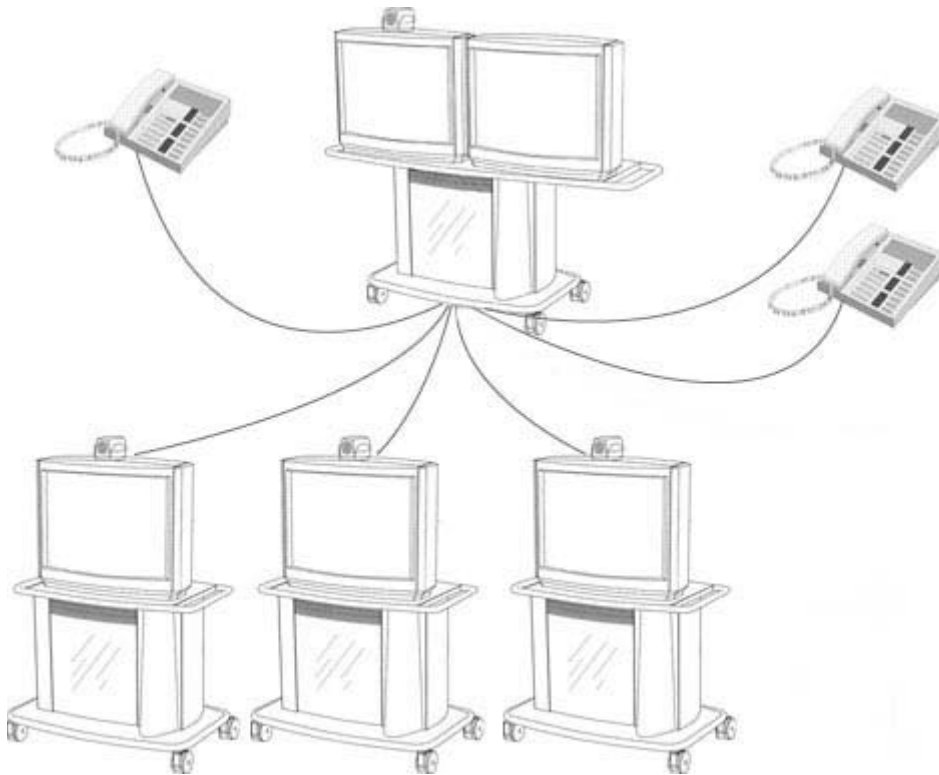
Services contain the following features:

- [Request Floor and Release Floor](#)
- [Conference Layout](#)
- [Terminal Names](#)
- [Chair Control](#)
- [Assign Floor and Release Floor from Participant](#)
- [View Site and End View](#)
- [Disconnect Participant](#)
- [Terminate Meeting](#)
- [More about Multisite \(embedded MCU\)](#)
- [Text Chat](#)

You can make a multipoint conference in different ways. The Conference Services vary depending on how you make the call, see [Add call](#) for details.



Example of MultiSite for high end systems. Note that the illustrations may differ from the actual product.



Example of MultiSite for mid- to low end systems. Note that the illustrations may differ from the actual product.

Using the system's internal MCU, MultiSite™*

Most TANDBERG MXP systems have an optional built-in MCU, which is called MultiSite*. It supports up to 6 video calls and 5 telephone calls including yourself for high-end systems, and 4 video calls and 3 telephone calls including yourself for the mid- and lower end systems. The MultiSite supports both Split Screen and Voice Switched mode. With MultiSite, you have the following services:

- Request/Release Floor
- Assign Floor To Participant/Release Floor From Participant
- Terminal Names
- Layout (Auto/4 Split/5+1 Split/Voice Switched)

Using an external MCU that supports Chair Control (H.243)

With an external MCU that supports H.243, you have the following services:

- Request/Release Floor
- View Participant/End View
- Chair Control

If you take Chair control, you get the following services:

- Release Chair
- Assign Floor To Participant/Release Floor From Participant
- Disconnect Participant
- Terminate Meeting

Using an external MCU with limited Chair Control Support you may have the following services

With an external MCU that does not support H.243, you have the following services:

- Request/Release Floor
- Terminal Names

* The MultiSite option is not available on the TANDBERG 550 MXP, TANDBERG 770 MXP and TANDBERG 1000 MXP

3.12.1 Request Floor and Release Floor

When requesting floor, your video will be broadcasted in full screen to all other participants in the conference. Request Floor is useful when you want to speak or display something in front of all participants.

Release Floor when you are done and make the floor available for other participants in the conference. An indicator appears when you have floor and disappears when you release floor, see floor indicator in [On-screen Indicators](#).

How to use Request and Release Floor:

1. Open the Menu by pressing OK.
2. Choose Conference Services and press OK.
3. Choose Request Floor and press OK. A Floor indicator will appear when you have floor.
4. When done, press the same button again, which now means Release Floor. The Floor indicator disappears.

3.12.2 Conference Layout

(Only supported by TANDBERG MultiSite*)

With a TANDBERG MultiSite you can choose between the layouts: Auto Split, 4 Split, 5+1 Split and Voice Switched view. Auto Split displays all participants on the screen simultaneously. 4 Split displays the 4 last speaking Participants including the MultiSite host. 5+1 Split displays the speaking participant in a big picture and the other participants in small pictures. Voice Switched mode displays the participant that is speaking in full screen. Switch between these picture modes using the Conference Layout menu.



Continuous Presence layout 4 split



Advanced Continuous Presence Layout (5+1).



Voice Switched mode

* The MultiSite option is not available on the TANDBERG 550 MXP, TANDBERG 770 MXP and TANDBERG 1000 MXP

3.12.3 Terminal Names

Choose Terminal Names to see a list of the participants of the MultiSite conference. Press Cancel to go back.

3.12.4 Chair Control

(Not supported by TANDBERG MCU or MultiSite)

As chairman, you have access to more MultiSite Services. Select Chair Control to assume the role of chairman of the conference. Select Release Chair to end the role as chairman. A Chair indicator appears when you have Chair and disappears when chair is released.

3.12.5 Assign Floor and Release Floor from Participant

Assign Floor allows the chairman to select which of the conference participants are to be broadcasted to all other participants.

3.12.6 View Site and End View

(Not supported by TANDBERG MCU or MultiSite)

View Site allows you to view any participant in the conference regardless of who has the floor and chair. Choose End View to go back to normal.

3.12.7 Disconnect Participant

Disconnect Participant allows the chairman to disconnect any participant in the conference. In a multipoint call, this is equivalent to disconnecting a participant from the end call menu.

3.12.8 Terminate Meeting

Terminate Meeting allows the chairman to terminate the conference altogether. In a MultiSite call, this is equivalent to pressing End All Calls from the end call menu.

3.12.9 More about MultiSite (embedded MCU)

(Optional Feature*)

Calling in to a MultiSite

Any system can be part of a MultiSite conference by calling in to a MultiSite. The dial-in numbers to the MultiSite depends of the network that is used.

To dial in to the MultiSite on IP:

- Dial the IP Number or the IP Address of the system. All sites can dial the same number.

To dial in to the MultiSite on ISDN-PRI:

- Dial the ISDN number of the system. All sites can dial the same number.

To dial in to the MultiSite on ISDN-BRI:

- The MultiSite has specific numbers for each call that participates in the conference. To find the dial-in numbers for the MultiSite, choose Information from the Menu and open System Information from the bottom menu line.
- Site 2 must dial MultiSite Number 2.
- Site 3 must dial MultiSite Number 3.
- Site 4 must dial MultiSite Number 4.
- And so forth

Receiving calls to a MultiSite

When the MultiSite receives incoming calls you can accept or reject it. Pressing the green key is equivalent to pressing Accept. Pressing the red key is equivalent to pressing Reject.

End a MultiSite Call

Ending a MultiSite Call is not very different from ending a normal point-to-point call. Use the red key on the remote control or End Call from the Menu. The end call menu lists all the calls that participate in the conference. To end a single call, select the call, press OK or the red key on the remote control. To end all calls, press the End All Calls button in the menu.

Duo Video in MultiSite calls

In a MultiSite call, the MultiSite can transmit the Duo Video and/or H.239 to the other participants that support Duo Video and/or H.239. This means that any participant can send Dual Stream and the MultiSite will transmit it to the other participants. The participants that do not support Duo Video or H.239 will only receive Main Video or only the dual stream dependent on software options installed.

Mix ISDN/IP

A conference can consist of any combination of ISDN/IP sites.

* The MultiSite option is not available on the TANDBERG 550 MXP, TANDBERG 770 MXP and TANDBERG 1000 MXP

3.12.10 Text Chat

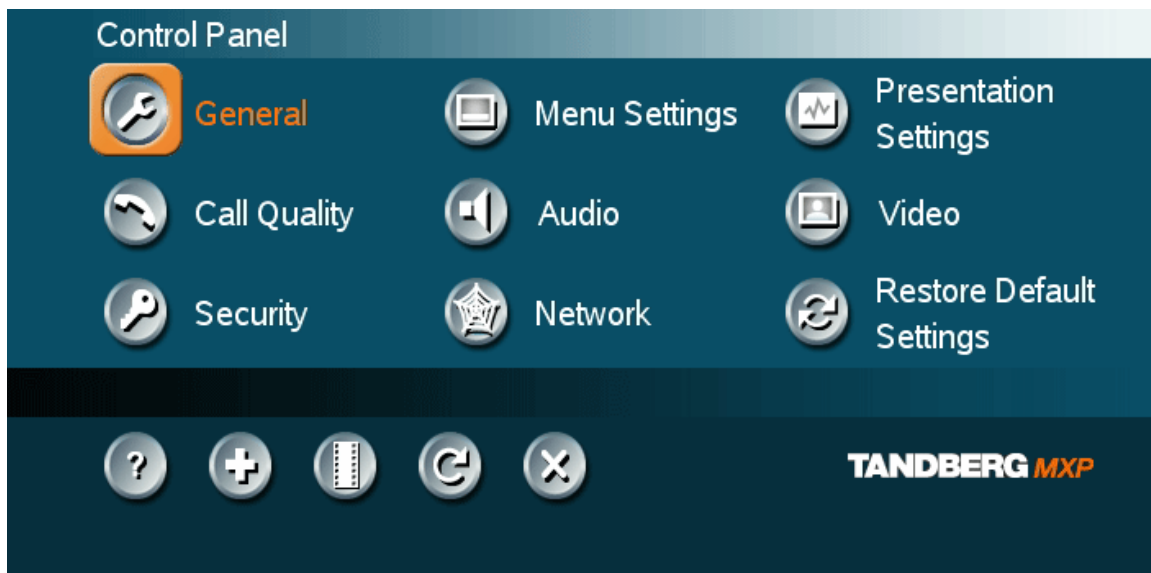
While in an ISDN or IP call to another system supporting Text Chat (T.140), select Text Chat the Services Menu. Enter text in the displayed window.

How to use Text Chat:

1. Choose Text Chat from the Services Menu to open the Text Chat window.
2. Enter text with the number keys like on a mobile phone. The text is sent to the far end continuously letter by letter.
3. Press OK to end Text Chat and escape from the text chat window.

Note that Text Chat is supported in point to point calls only.

4 Control Panel



The Control Panel contains the features:

- [User Guide](#)
- [Diagnostics](#)
- [Audio Demo](#)
- [Restart](#)
- [Settings*](#)

Settings:

- [General](#)
- [Call Quality](#)
- [Security](#)
- [Menu Settings](#)
- [Audio](#)
- [Network](#)
- [Presentation Settings](#)
- [Video](#)
- [Restore Default Settings](#)

NOTE: If Administrator Password is On, a Settings button will appear on the menu line together with User Guide, Diagnostics, Audio Demo and Restart. When you press the Setting button you are prompted with a password message box. For more information, see Control Panel – Security – Administrator Password.

* This field is only visible if the Administrator Password is On.

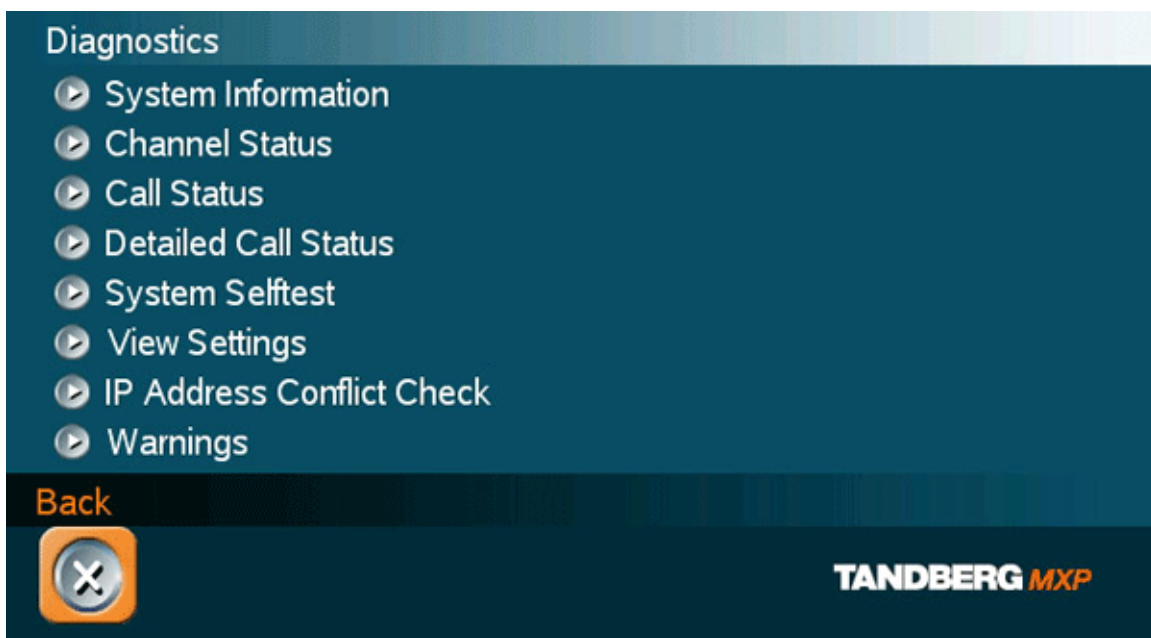
4.1 User Guide

The on screen user guide takes you through a quick step-by-step introduction to the video system. It gives the user basic skills in how to use the system.



4.2 Diagnostics

Diagnostics allows testing of individual system components and displays the current system settings.



Diagnostics contain:

- [System Information](#)
- [Channel Status](#)
- [Call Status](#)
- [System Selftest](#)
- [View Settings](#)
- [IP Address Conflict Check](#)
- [Warnings](#)

4.2.1 System Information

Select System Information to view system numbers, line status, software version, hardware serial number and other useful information. Press arrow key up and down to scroll in the System Information list.

System Information contains:

System Name	Software Version	Network	Hardware Serial Number
My ISDN Number My IP Number My IP Address MultiSite number 2 MultiSite number 3	Internal Test Software Options installed	Lines active Lines not active	MAC address Ethernet Speed

Note that the serial number is also found on a sticker on the system. It is essential for identifying the system when it comes to service contracts or other support activities. The serial number format is xx.xxxxx.

4.2.2 Channel Status

Comprehensive information about the call progress is available through the Channel Status window. This window indicates the various stages each B-channel goes through whilst establishing a connection.

Status - BRI	Comments
Idle	the channel is idle
Calling	when calling — the network has acknowledged the call
Connected	when connection is established
Sync	when the channels are synchronized
Active	when all available channels are connected
Releasing	waiting for the network to confirm a release of the call
Released	when disconnected - the network has acknowledged the disconnection

Cause codes

The most common cause codes (for ISDN) are:

1	Unallocated (unassigned) number
2	No route to specified transit network (WAN)
16	Normal clearing
17	User busy
18	No user responding
21	Call rejected
28	Invalid number format (incomplete number)
29	Facility rejected
31	Normal, unspecified
34	No circuit/channel available
41	Temporary failure
58	Bearer capability not presently available
65	Bearer service not implemented
69	Requested facility not implemented
81	Invalid call reference value
88	Incompatible destination
100	Invalid information element contents
102	Recovery on timer expiry
127	Internetworking, unspecified
255	TANDBERG specific. undefined cause code

4.2.3 Call Status

Comprehensive information about the call is available through the Call Status window. The menu has two columns, one for transmitted and one for received audio/video/data information. If Dual Stream or MultiSite is available on your system and in use, pressing the UP/DOWN keys will show one page per connected site. Some of the information fields will vary dependent on if H.320 (ISDN calls) or H.323 (IP calls) are made.

4.2.4 System Selftest

The system performs a check to determine internal hardware integrity. System Selftest is useful when you want to check if your network connection is active.

4.2.5 View Settings

This window displays all the system settings. Use the arrow key on the remote control to scroll through the list.

View Settings may contain*:

General Settings	System Name Language Dual Monitor Auto answer Max Call Length Access Code Incoming MCU calls Incoming Telephone calls Far End Control Fallback to Telephony
Screen Settings	TV Monitor Format Picture Layout VGA Monitor Format VGA Out Quality PC Picture Format Allow VGA 50Hz
Software Options	Options Installed Serial Number Current Option Key
Menu Settings	Menu Timeout in Call Welcome Menu Welcome Picture Logo Balloon Help Display Welcome Text Welcome Text Administrator Password
Presentation Settings	Duo Video Mode Start up Video Source Presentation Source Snapshot Source Auto Display Snapshot PIP Placing H.323 Presentation Rate
VNC Settings	Address Display Number Call Quality Video Algorithm Audio Algorithm Interlaced
Video Quality	Main Camera PC

	Document Camera VCR AUX VNC Split Screen
Default Call Settings	Call Type Network Bandwidth Restrict (56k) Auto H320 Bandwidth Auto H323 Bandwidth SIP
Audio Settings Inputs	Mic1 Mic2 Mic3 Audio4 Audio5 Audio6 Mix Mode VCR Ducking
Level Settings	Mic1 Mic2 Mic3 Audio4 Audio5 Audio6
Outputs	Out1 Out2 (AUX) Out3 (VCR) Out1 Mode
Level Settings	Out1 Out2 (AUX) Out3 (VCR)
Echo Control	Mic1 Mic2 Mic3 Audio4
Audio Levelling (AGC)	Mics Audio5 (AUX) Audio6 (VCR) Received Audio
Alert Tones & Volume	Video Call Alert Tone Telephone Alert Tone Alert Volume Alert Speaker Key Tones
Video Settings	Camera Tracking Mode MCU Status Line Web Snapshot MultiSite Picture Mode
Picture Control	Focus White balance

	Brightness
Video Name	Main Cam AUX Doc Cam VCR PC VGA VNC
Network Type	ISDN-BRI\PRI\Leased E1\T1\External H331 ISDN Switch Type ETSI (Euro ISDN) Line1 Setup On Number1 Number2 SPID1 SPID2 Line2 Setup On Number1 Number2 SPID1 SPID2 Line3 Setup On Number1 Number2 SPID1 SPID2
Advanced ISDN Settings	Sub Address Validate Numbers (MSN) Parallel Dial Send Own Numbers Sending Complete
ISDN-PRI Settings	Number Range ISDN-PRI Switch Type
Channel Hunting	Max Channels Low Channel High Channel Search High, Low Line Settings: T1 Cable Length 1 E1 CRC-4
Advanced ISDN PRI Settings	NSF Code Video NSF Code Telephone Call
Leased E1/T1 Settings	Call Control Network Interface Max Channels Start Channels T1 Line Coding Line Settings
External network configuration	Call Control RS66 RS449/V.35 Compatible
IP Settings	IP assignment IP address IP subnet mask

	Gateway Ethernet Speed DNS Settings
H.323 Settings	E.164 Alias Use Gatekeeper Gatekeeper IP H.323 Prefix
Advanced H.323 Settings	RSVP NAT NAT Address QoS
IP Precedence	Audio Video Data Signaling IP Type of Service (TOS)
Diffserv	Audio Video Data Signaling
IEEE802.1x Settings	IEEE802.1x Mode Anonymous Identity Identity EAP-MD5 EAP-TTLS EAP-PEAP
SNMP Settings	SNMP Trap Host1 SNMP Trap Host2 SNMP Trap Host3 SNMP Community
IP Services	IP Services HTTPS NTP IP IP Address
Streaming Settings	Address Address Port TTL/Router Hops Streaming Source Allow Remote Start Announcements Video rate (kbps)
Network Profiles	Auto H.320 H.323 Network Profile 4 Network Profile 5 Network Profile 6
Security	Encryption Encryption mode Passwords Camera Standby Mode

TANDBERG Edge 75/85/95 MXP

Data Port 1	Baud rate Parity Databits Stopbits Mode
Data Port 2	Baud rate Parity Databits Stopbits Mode

* The settings available will vary within the MXP system range depending on system and what software options installed.

4.2.6 IP Address Conflict Check

The system will give a warning if there is an IP conflict. The user may initiate this check by selecting IP Address Conflict Check.

4.2.7 Warnings

Any warnings registered by the system will be displayed in the Warnings menu. Open a warning in the list to get more information about the warning.



The following warnings may be displayed if detected by the system, depending on system type and configuration:

ISDN BRI warnings

- ISDN is enabled on BRI line x, but the line is not connected. Please check your network connection or disable the line. (101)
- There is something wrong with ISDN BRI line x. Please check your network connection. (102)

IP network quality warnings

- The system is experiencing, equal to or more than 5%, packet loss in the IP network. This may affect the quality of the call.
- The system is experiencing high jitter, equal to or more than 200 ms, in the IP network. This may affect the quality of the call.
- The system is dropping IP packets due to latency in the network. This may affect the quality of the call.

ISDN PRI warnings

- ISDN PRI is configured for this system, but the line is not connected. Please check your network connection or disable the network. (131)
- There is something wrong with the ISDN PRI line (Blue alarm). Please check your network connection. (132)
- There is something wrong with the ISDN PRI line (Yellow alarm). Please check your network connection. (133)
- There is something wrong with the ISDN PRI line (D-Channel not active). Please check your network connection. (134)

External Network warnings

- External Network is configured for this system, but the line is not connected. Please check your network connection or disable the network. (161)

Leased E1/T1 warnings

- Leased E1/T1 is configured for this system, but the line is not connected. Please check your network connection or disable the network. (191)

- There is something wrong with the Leased E1/T1 line (Blue alarm). Please check your network connection. (192)
- There is something wrong with the Leased E1/T1 line (Yellow alarm). Please check your network connection. (193)

H323 gatekeeper warnings

- Could not register to the gatekeeper.
- The gatekeeper rejected to register the system. Another system is already registered with the same alias or H.323 ID.
- The max capacity on the gatekeeper is reached. Registration failed.
- Tried to register to the gatekeeper without a valid alias. Registration failed.
- The system is not allowed to register with this gatekeeper.
- Can not find the gatekeeper. Check the gatekeeper configurations on the system.

4.3 Audio Demo

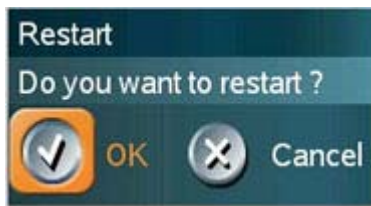
TANDBERG systems are designed to improve audio quality during a video conference – as if the person is in the same room!

Demonstrate the high quality Audio of your system by pressing the Audio Demo button at the bottom of the Control Panel menu. Lean back and enjoy!

4.4 Restart

Restart the system by pressing the Restart button. You are prompted with a dialog box saying: Do you want to restart the system? Press OK to restart, press Cancel (X) to abort.

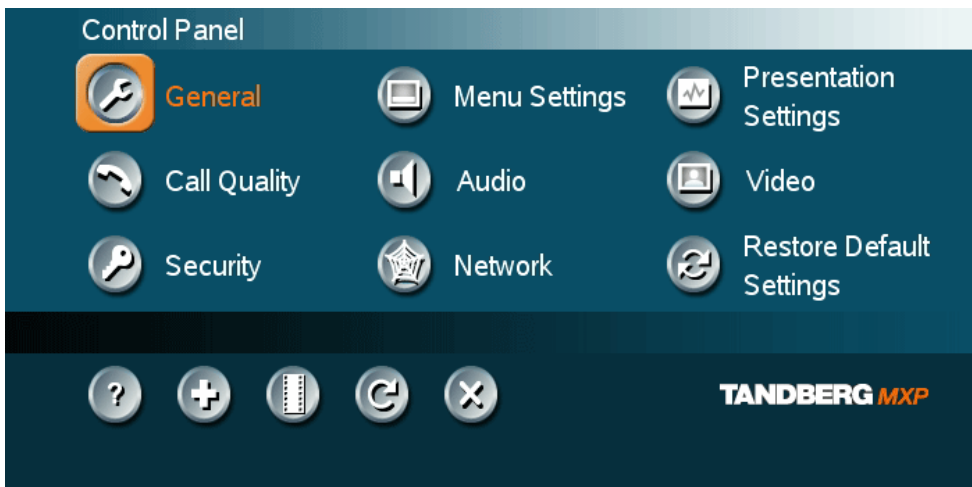
You will also find the Restart button at the bottom of the Control Panel menu. Select the Restart button and press ok on the remote control.



5 System Settings

The Control Panel contains all the settings of the system. Making changes to the settings will change the behavior of the system. It is recommended to password protect the access to the settings to prevent occasional users from making crucial changes to the system, see Control Panel – Security – [Administrator Password](#).

NOTE: The System Settings can be password protected by setting an Administrator Password. The settings are hidden and a settings button appears on the menu line. Whenever you press the Settings button you will be prompted to enter a five digit pin code to access the Settings menu.



System Settings contain:

- [General](#)
- [Menu Settings](#)
- [Presentation Settings](#)
- [Call Quality](#)
- [Audio](#)
- [Video](#)
- [Security](#)
- [Network](#)
- [Restore Default Settings](#)

5.1 General Settings

When installing the system, go through the General Settings menu to ensure that you have the right settings for your system, see System Configuration.



General Settings contain:

- [Language](#)
- [System Name / International Name*](#)
- [Auto Answer](#)
- [Phone Book Settings](#)
- [External Service Settings](#)
- [Permissions](#)
- [Screen Settings](#)
- [Software Options](#)
- [Date and Time Settings](#)

** This field is only visible if the system name contains Asian and non-Latin character text input.*

5.1.1 Language

The system supports 16 different languages for its on-screen menus; English, German, French, Norwegian, Swedish, Italian, Spanish, Portuguese, Russian, Finnish, Chinese Simplified, Chinese Traditional, Japanese, Korean, Thai and Arabic. Select the preferred language and press OK to save.

Note that pressing the Phone Book button 5 times followed by the number button 1 on the remote control will reset the menu language to English.

5.1.2 System Name

System Name identifies the system:

- On the welcome page.
- During an MCU conference call.
- When using the Web-interface.
- When the codec is acting as an SNMP Agent.
- Towards a DHCP server.
- H323 ID. Other systems can call in using this name instead of IP-number/IP-address.

System Name is blank by default. System name can be alphanumeric and up to 50 characters long. Follow the installation procedure to enter a System Name.

Note that if the system name contains Asian and non-Latin character text input, the [International Name](#) using Latin characters only, must be specified as well.

5.1.3 International Name

If the [System Name](#) contains Asian and non-Latin character text input, the International Name using Latin characters only, must be specified as well. This is in order to make other systems understand the system name.

5.1.4 Auto Answer

The auto answer setting decides whether an incoming call is put through automatically or manually.

On	The system will automatically answer all incoming calls.
On+Mic Off	The system will automatically answer all incoming calls and switch the microphone off when the call is connected. Press Mic Off to switch the microphone on.
Off	You must manually answer all incoming calls by pressing OK or the Call key.

5.1.5 Phone Book Settings

Corporate Directory

On	The Corporate Directory is available in the menu.
Off	The Corporate Directory is hidden from the menu and is unavailable for users.

IP address

Enter the IP address of the management system that provides the Phone Book.

Path

The Path indicates the function of the management system.

5.1.6 External Services Settings

External Services

On	When set to On External Services are available.
Off	When set to Off External Services are unavailable.

IP address

Enter the IP address of the service provider for External Services.

Path

Enter the Path to the External Services provider.

The services available are defined by the service provider.

5.1.7 Permissions

Permissions contains settings for incoming MCU Calls, incoming telephone Calls, Far End Control, Remote Software Upgrade and Fallback to Telephony.

Access Code

An access code will help you control the use of the system. All users must enter a code to identify themselves and the call will be charged on their account. Access Codes are handy for group systems where there are more users or divisions that share the costs of using the system. Access Code can be set to "On" and "Off". Please refer to section [Appendix 5](#) for more information on Access codes.

On	When making a call, an Access Code dialog box will be shown. The user must enter the correct password in order to put the call through.
Off	No password is necessary to make a call.

Incoming MCU Calls

On	When you are in a call, the system will provide visual and audible indications of an incoming call and ask you to accept/reject the call.
Off	The system will not accept incoming calls when you are in a call.

Incoming Telephone Calls

On	The system will accept incoming telephone calls.
Off	The system will not accept incoming telephone calls. This is useful to prevent incoming calls from systems other than videoconferencing systems.

Far End Camera Control

On	The far end will be able to: <ul style="list-style-type: none"> • Control your camera • Select your video sources • Activate your camera presets • Request snapshots
Off	The far end can access none of the four features above on the local system. You will however still be able to control the camera on the far end.

Fallback to Telephony

When dialing a number and the system fails to place a video call to the number dialed, the system will attempt to place a telephone call if Fallback to Telephony is enabled.

On	Enables fallback from video calls to telephone calls.
Off	Disables fallback.

Far End ISDN System Upgrade

It is possible to upgrade software remotely, i.e. a far end system may upgrade software on a local system via http on ISDN. The system to be upgraded must be configured to allow remote software upgrade. It is possible to set a password which is needed for the far end system to be able to accomplish the software upgrade.

On	The system will allow a remote system to upgrade local software.
Off	The system will not allow a remote system to upgrade local software.

Note that the configuration can also be done via the telnet or the serial port.

Maximum Call Length (minutes)

This feature will automatically end both incoming and outgoing calls when the call time exceeds the specified Max Call Length. Max Call Length can have the following values: 0-999 (minutes), where 0 means off.

5.1.8 Screen Settings

Auto Layout

On	If Auto Layout is On the system will change layouts automatically depending on the number of participants in a call and if you have a dual video stream or not. Please refer to Layout for more information.
Off	If Auto Layout is Off there will be no automatic layout changes during a call. All desired layout changes must be done manually.

Note that when you receive low resolution images (176x144 pixels or less) the screen will automatically adjust to a smaller view to give optimum quality experience.

Use Screen as Local PC Monitor

Use the Selfview button to switch from local PC display to standard conference layout.

On	If Local PC Display is On you will be able to have Local PC displayed both outside a call and in a call.
Off	If Local PC Display is Off you will not be able to see a Local PC image.

Note that this applies to single monitor systems only.

Please refer to [Local PC Display](#) for more information.

Dual Monitor

TANDBERG systems can be used with both one and two monitors. If you use two monitors, make sure that Dual Monitor is set to "On".

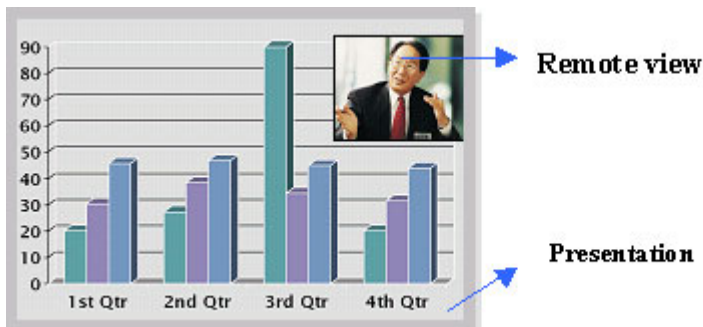
On	Selfview, snapshots and Dual Stream will be displayed on the second monitor.
Off	The second monitor shows selfview only.

Picture Layout

The Advanced Picture Layout is related to the Layout button on the remote control and it can be used at any time to change the screen layout. For wide screen systems POP mode is recommended. You will get optimized picture layouts for wide screen by pressing the Layout button on the remote.

Picture in	Pressing the Layout button on the remote will result in an extra picture in
-------------------	---

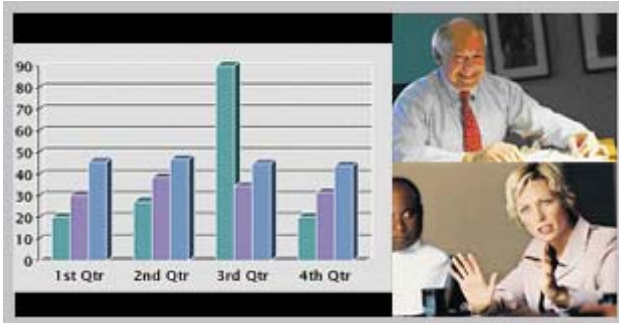
Picture (PIP)	smaller view (Picture in Picture). Press the Layout button to move it around in the corners of the screen and finally hide it. Pressing and holding Layout for 1 second will hide the small picture directly from any position.
Picture outside Picture (POP)	<p>Press the Layout button to see the images side-by-side, e.g. 1+1 layout, where the far end and near end are displayed as images of equal size, see figure below.</p> <p>Press the Layout button once more to change to 1+2 layout. The far end image will be displayed as the main video, with the near end, usually the user of the system, as a smaller image in the upper right corner. If Duo Stream is used, the Dual Stream image is displayed as the main image and the far end and near end as smaller images to the right, see figure below for an example.</p> <p>Press the Layout button again to get the 1+3 layout.</p> <p>The next time the Layout button is pressed, the normal full screen view of the far end is displayed. Pressing and holding Layout for 1 second will always bring you back to full screen.</p>



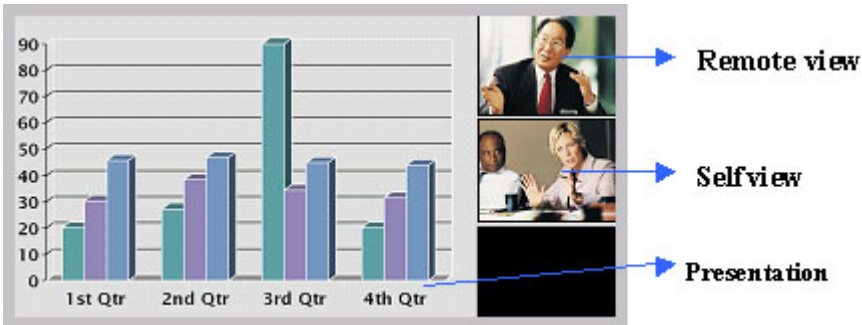
Example of Picture in Picture.



Example of 1+1 Side-by-Side view (wide screen).



Example of 1+2 Picture outside Picture (wide screen).



Example of 1+3 Picture outside Picture (wide screen).

Note that if both TV monitor format and VGA format is set to Normal, the system will skip the 1+3 layout, which is not beneficial for 4:3 monitors.

Note that the following menu settings do not apply for all TANDBERG MXP systems. Please refer to the actual menu page on your system.

TV Monitor Format (wide screen monitors only)

To fully leverage your wide screen display, activate the Native 16:9 format by setting the TV Monitor Format to Wide. Note that you should only change this setting if your TV monitor is a wide screen (16:9) monitor or projector. All composite- and s-video output formats will then be optimized for Wide Screen TV monitors.

Normal	Output format is optimized for Normal TV monitors (4:3)
---------------	---

Wide	Output format is optimized for Wide TV monitors (16:9)
-------------	--

VGA Monitor Format

To fully leverage your wide screen display, activate the Native 16:9 format by setting the VGA Monitor Format to Wide. Note that you should only change this setting if your VGA monitor is a wide screen (16:9) monitor or projector. The VGA and DVI output will then be optimized for Wide Screen VGA and High Definition (HD) display.

Normal	Output format is optimized for Normal VGA monitors (4:3)
Wide	Output format is optimized for Wide VGA monitors (16:9)



Wide screen VGA or TV monitor in Normal (stretched) mode.



Wide screen VGA or TV monitor In Wide (native) mode.

VGA Out Mode

VGA Out Mode makes it possible to specify which signal to send to the VGA/DVI output.

Main	Should be used if you want to use a VGA monitor as your main monitor.
Dual	Should be used if you want to use a VGA monitor as your dual monitor.

VGA Out Quality

The supported range of VGA formats will be optimized for the VGA display monitor based on the source image.

VGA Out Quality enables the user to change the preferred format for the DVI/VGA output. It is recommended to keep this setting in Auto unless your screen doesn't support some of the XGA or SVGA formats the system is using. Note that the VGA Out port support VESA Power Management.

Auto	<p>VGA output format will be optimized dependant of the video source format, refresh and of the EDID information available.</p> <p>Supported formats are: SVGA (800x600) 75Hz XGA (1024x768) 60Hz / 75Hz</p>
-------------	--

	WXGA (1280x768) 60Hz
SVGA 800x600 75Hz	VGA output format is forced to SVGA format (800x600) 75Hz
XGA 1024x768 60Hz	VGA output format is forced to XGA format (1024x768) 60Hz

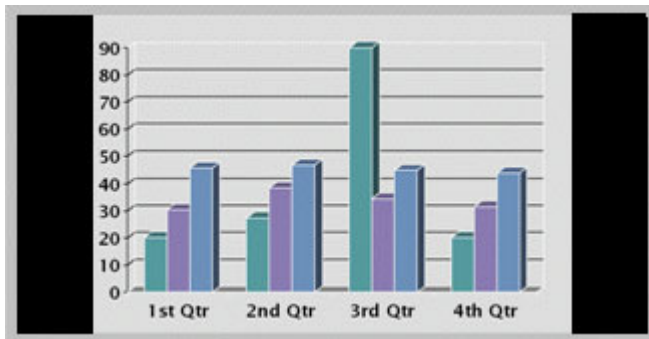
VGA Out Quality for Wide XGA:

If VGA Monitor Format is set to Wide, PC Picture Format is set to Normal, VGA Out Quality is set to Auto, the layout on the monitor is either fullscreen or POP, and the input source to the largest window is PC with resolution 1024x768, the system will use WideXGA (1280x768) instead of XGA, when the monitor supports this.

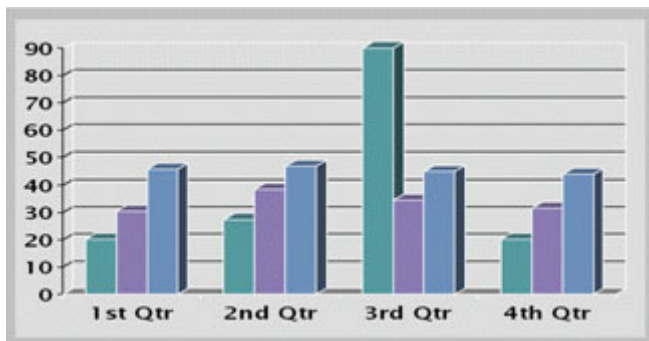
PC Picture Format (wide screen monitors only)

PC Picture Format setting only takes effect when TV or VGA Monitor Format is set to Wide. Use this setting to determine if you want your PC presentations to be shown stretched in full screen, or with correct aspect ratio using part of the widescreen display. With the VGA Out Quality set to Auto the presentation will be of the best possible quality supported by the monitor.

Normal	VGA output will have 4:3 aspect ratio on wide screen monitor.
Wide	VGA output will utilize the wide screen monitor at full.



PC presentation shown in Normal (correct ratio) mode.



PC Presentation shown in Wide (stretched) mode.

5.1.9 Software Options

The system requires a valid option key to activate MultiSite and/or Presenter functionality. In order to activate additional bandwidth, you need to enter a bandwidth key. A restart of the system is required after entering a new option and/or bandwidth keys. If the key is invalid, the original key will be used.

The following options are available:

1. No option
2. Presenter
3. MultiSite + Presenter
4. Bandwidth options

5.1.10 Date and Time Settings

NTP IP

This is the NTP time server address from which the system can get updated time information. See [IP Services](#) for more details.

Auto	The NTP IP will be provided by the DHCP server.
Manual	The NTP IP address is set manually.

IP Address

The IP Address for obtaining the date and time information.

Time Zone

Select the correct time zone for the location of your system.

Date Format

Choose between DD/MM/YY, MM/DD/YY, or YY/MM/DD as the desired date format.

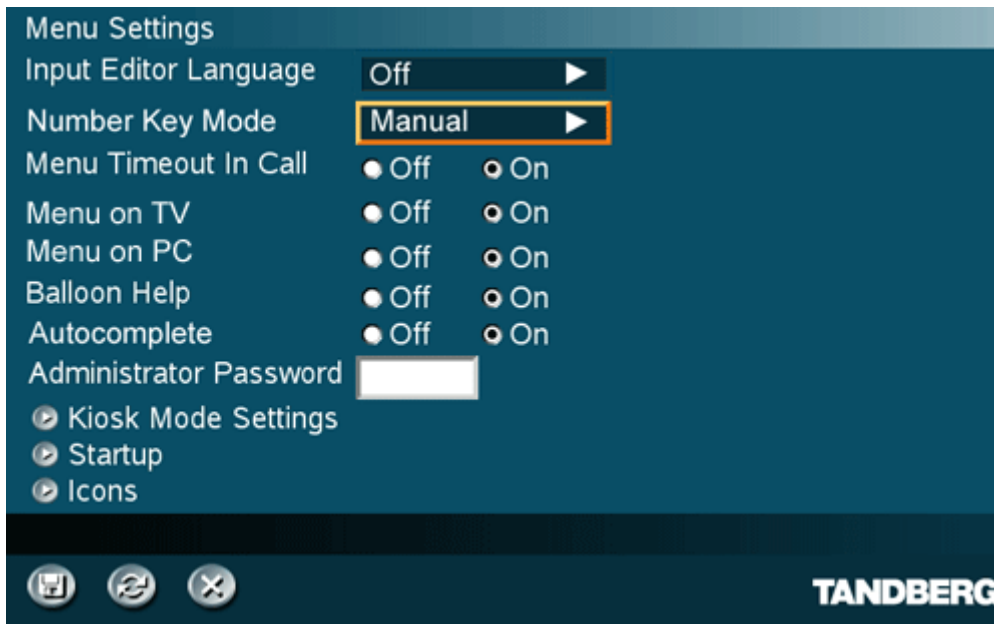
Time Format

Select 12h or 24h time format.

Daylight Savings

On	Moves the time 1 hour ahead.
Off	Moves the time 1 hour back.

5.2 Menu Settings



Menu Settings contain the settings:

- [Input Editor Language](#)
- [Menu Timeout In Call](#)
- [Menu on TV](#)
- [Menu on PC](#)
- [Balloon Help](#)
- [Number Key Mode](#)
- [Administrator Password](#)
- [Kiosk Mode Settings](#)
- [Startup](#)
- [Icons](#)

5.2.1 Input Editor Language

When the Input Editor Language is set to Chinese, Korean or Japanese the user will be able to enter Chinese / Korean / Japanese characters into an input field like the System Name or Phone Book, using the remote control.

5.2.2 Menu Timeout In Call

The Menu appears on the bottom line of the screen. Set Menu Timeout In Call to On if you want the menu to time out automatically when you are in a call.

On	The menus will time out automatically after 15 seconds if there is no activity on the remote control. Menu timeout does only apply when you are in a call. Outside a call, the menu will not time out.
Off	The menu will not time out automatically. Press Cancel (X) to hide the Menu manually.

5.2.3 Menu on TV

The Menu on TV setting decides if the menu shall be displayed on the TV screen or not. For optimal layout of the menu, Menu on TV should be Off if Menu on PC is On and vice versa.

On	The menu is available on the TV screen.
Off	The menu is not available on the TV screen.

Note that if the menu has disappeared from the connected monitor or PC screen and only one of them is connected to the system, it is possible to press the Phone Book 5 times and then the number button 2 in order to display the menu on the connected screen.

5.2.4 Menu on PC

The Menu on PC setting decides if the menu shall be displayed on the PC (VGA screen) screen or not. For optimal layout of the menu, Menu on TV should be Off if Menu on PC is On and vice versa.

On	The menu is available on the PC screen.
Off	The menu is not available on the PC screen.

Note that if the menu has disappeared from the connected monitor or PC screen and only one of them is connected to the system, it is possible to press the Phone Book 5 times and then the number button 2 in order to display the menu on the connected screen.

5.2.5 Balloon Help

It is possible to enable / disable the balloon help window.

On	Choose On if you want help text windows to appear.
Off	There will be no help text window.

5.2.6 Number Key Mode

When pressing a number key on the remote control, while in a call, the user can decide what shall happen. The system can be configured to act automatic or manual.

While in a call, the user presses a number key to:

- add another call
- dial extension numbers
- use camera presets

Setting Number Key to Automatic:

Some users want the camera presets as the default action when pressing a number key, when in a call. The number keys can be configured to always act like this; or to act in accordance to any of the other available choices.

Setting Number Key to Manual:

Sometimes, when you are in a call, you need to switch between adding another call, dial extension numbers or use camera presets. Then you would want the system to give you a choice of what to do. If you configure the Number Key Mode to Manual you can select the preferred action when pressing a number key.

The Number Key Mode are available from Menu Settings and the default setting is Manual. See Control Panel – Menu Settings – Number Key Mode.

TIP: You can always press “Touch Tones” on the remote control to enter an extension number, password or access code while in a call.



The Number Key Mode is set to Manual

Settings for Remote Control Number Keys while in a call:

Add Call	<p>While in a call, the Call Menu will automatically appear when a number key is pressed on the remote control.</p> <p>This will enable the user to add another call.</p>
Touch tones	<p>While in a call, the Touch Tones Mode will automatically become active when a number key is pressed on the remote control.</p> <p>This will enable the user to dial extension numbers, access codes, passwords, etc.</p>
Presets	<p>While in a call, the Camera Preset Mode will automatically become active when a number key is pressed on the remote control.</p> <p>The camera will move to the position preset for the number key used. If users want the system to behave like before, set the setting to "Presets".</p>
Manual (default)	<p>While in a call, the Number Menu will appear every time the number key is pressed on remote control. The user can choose between the options available, dependent of the system.</p> <p>For more information, see chapter, 3.2.8.2 Manual Number Key Mode.</p>

5.2.6.1 Manual Number Key Mode

The pop-up menu will look slightly different based on the options installed at the system and whether you have stored camera presets or not.

Press a number key, while in a call, when having MultiSite and stored presets:

A dialog box appears offering the options:

- Add a Call -> Go to Call menu
- Dial Extension Number -> Go to Touch Tones Mode
- Use Presets -> Go to Camera Presets mode

Press arrow key to navigate in the list. Press OK on the remote control to select the desired entry.

Presets mode:

If you have selected Use Presets, you put the system in Preset mode. That means that all number key presses will select presets. An indicator text says "Select Presets 0-9. Press OK when done".

Press a number key while in a call, when having MultiSite but no stored presets:

A dialog box appears offering the options:

- Add a Call -> Go to Call menu
- Dial Extension Number -> Go to Touch Tones Mode

If you have no stored presets on your system, you are likely not to use presets. Therefore the presets option is not present in the dialog box. Press arrow key to navigate in the list. Press OK on the remote control to select the desired entry.

Press a number key while in a call, when having no MultiSite and having stored presets:

A dialog box appears offering the options:

- Dial Extension Number -> Go to Touch Tones Mode
- Use Presets -> Go to Camera Presets mode

If you don't have MultiSite (or you have used all your MultiSite capacity), the Add Call option is not present in the dialog box. Press arrow key to navigate in the list. Press OK on the remote control to select the desired entry.

Press a number key while in a call, when having no MultiSite and no stored presets:

You go directly to Touch Tones Mode because no other options are available. In Touch Tones Mode (DTMF) the user can dial extension numbers, access codes, passwords, etc.

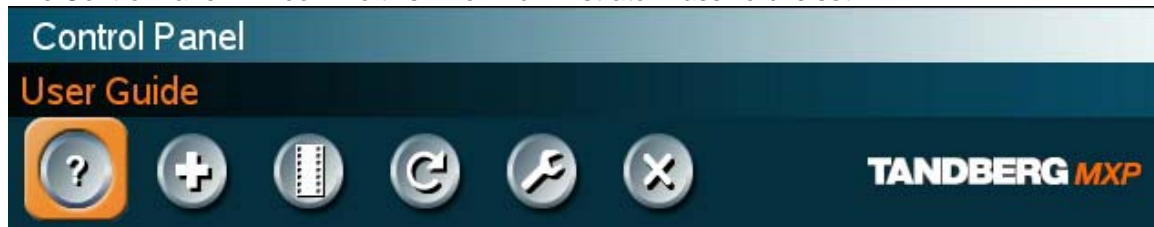
5.2.7 Administrator Password

It is recommended to put an Administrator Password on the system. The Administrator Password can be maximum 5 digits long.

The Administrator Password dialog box will pop up when you choose Settings from the Control Panel. This will prevent occasional users from going in to system settings.

With an administrator password, you can ensure that your system will behave in the same way every time and that only approved people are allowed to make changes to the system.

The Control Panel will look like this when Administrator Password is set:



5.2.8 Kiosk Mode Settings

Kiosk Mode

In Kiosk Mode the system is set to a simplified state where it can be controlled with just the four arrow keys and OK. You will get a simplified on-screen menu with only basic functionality available:

- make calls (using predefined contacts in the phone book)
- receive calls
- end calls
- adjust volume

NOTE! Deactivating the Kiosk Mode is only possible through:

- The web interface, telnet or data port, or
- By pressing 5 times on the Phone Book symbol then once on the number 3 on the Remote Control. Requires that "Allow Use of Remote Control" is set to On.

Using Kiosk Mode

Outside a call the Welcome Menu will be displayed:



Place a Call, Volume and Close.

If Language Menu is enabled you will first see the language selection menu. Select language and the Welcome Menu will be displayed with your desired language.

In a call, the system will display Far End video in full screen. If Max Call Length is set to a value and the system is in a call, the system will display a warning when it is 5 minutes, 1 minute and 10 seconds left of the call. If pressing OK when the system is in a call, the following menu will be displayed: End Call, Volume and Close.

The following Kiosk Mode settings allows you to make some adjustments to the system's behavior in Kiosk Mode.

Kiosk Mode - Language Menu



On	When On the system will display the language menu as the first menu in kiosk mode.
Off	When Off the system will display the welcome menu in English (default).

Kiosk Mode - Available Languages

In Kiosk Mode the system supports 7 different languages for its simplified on-screen menu; English, German, French, Norwegian, Swedish, Italian and Spanish. Select the preferred language.

Kiosk Mode - Auto Dial*

On	The system will automatically dial to the first contact in the Phone Book when he handset is lifted. If this contact is busy, the system will call the second number in the Phone Book and so on. If the user places the handset in the cradle, the system will switch to Speaker Mode. Only the Far End system can end the call.
Off	The system will not make a call automatically when the handset is lifted.

* Applies only to systems with handset

Kiosk Mode - Allow Use of Remote Control

Yes	All keys on the remote control are enabled.
No	All keys except the arrow keys and OK key are disabled.

Kiosk Mode - Phone Book

Local	The system will use the Local Phone Book in Kiosk Mode.
Corporate	The system will use the Corporate Directory in Kiosk Mode.

Kiosk Mode - Kiosk Menu

On	The Kiosk Mode menus will appear on the screen.
Off	No menus or indicators will appear on the screen.

5.2.9 Startup

Welcome Menu

The Welcome Menu contains the Menu, System Status, your System Name and dial in numbers.

On	The Welcome Menu is shown when the system wakes up from standby mode.
Off	The Welcome Menu is not shown when the system wakes up from standby mode. Press the OK button to open the welcome menu.

Welcome Picture

The Welcome Picture is what you see in the background of the welcome menu.

Selfview	Selfview is shown in the background of the welcome menu. In most cases this means that main camera is displayed and you can see the video image of yourself.
Off	No picture is shown in the background of the welcome menu.

Logo

It is possible to upload a company logo to the system. For more information about how to upload a Logo, see [Appendix 6](#). Set the Logo settings to On to display the logo.

On	Choose On if you want the company logo to appear in the background of the welcome menu.
Off	The logo is not displayed.

Note: The TANDBERG Logo will be displayed if no other company logo is loaded and logo is enabled.

Display Welcome Text

The welcome text displays your system name and dial in numbers by default. It is possible to hide this information by choosing Display Welcome Text Off.

On	Welcome text is displayed on the welcome menu.
-----------	--

Off	Welcome text is not displayed on the welcome menu.

Welcome Text

You can change the welcome text to any text you like, instead of the default text. Remember that Display Welcome Text must be On to be able to edit the welcome text.

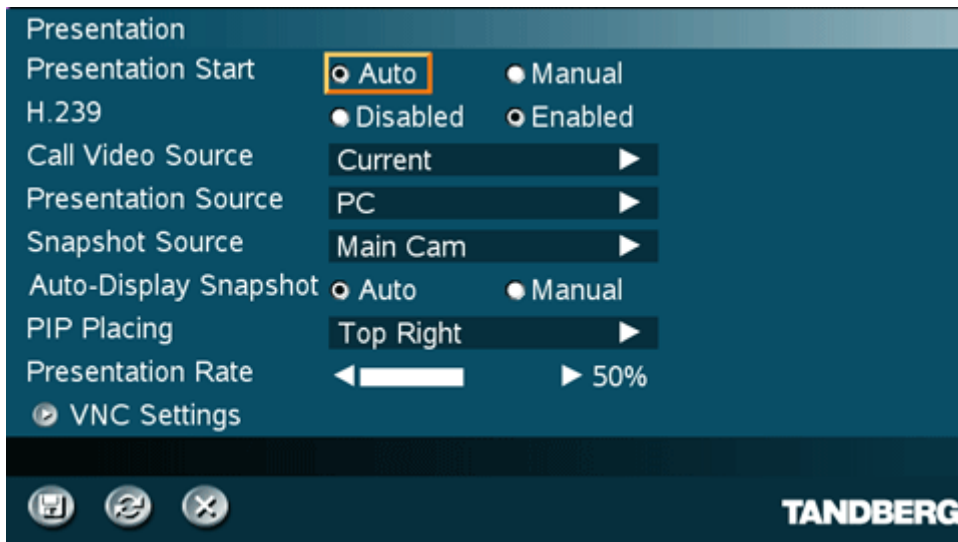
5.2.10 Icons

The following indicator icons may be set to on or off:

- Mic Off
- Volume Off
- On Air
- Encryption
- Bad Network
- Telephone
- DuoVideo/H.239

See [On-screen Indicators](#) for details.

5.3 Presentation Settings



Presentation Settings contain:

- [Presentation Start](#)
- [H.239](#)
- [Startup Video Source](#)
- [Presentation Source](#)
- [Snapshot Source](#)
- [Auto-Display Snapshot](#)
- [PIP Placing](#)
- [Presentation Rate](#)
- [VNC Settings](#)

5.3.1 Presentation Start

If your system has Dual Stream capabilities, you can show two video streams at the same time (see also [Dual Stream](#)). Presentation Start is Auto by default. This means that you will start Dual Stream (a second video stream) automatically when starting a presentation. Dual Stream requires the Presenter Option and H.263 video. To check which options are installed, see the System Information menu in Control Panel.

Manual means that you manually choose if you want to start Duo Video or not every time you start a presentation.

Auto	Dual Stream starts automatically when you start a presentation (in other words, when you choose a second video source). If your system or the far end system is not capable of Duo Video/H.239, you will not use Dual Stream, but rather send the presentation source as your Main Video
Manual	When starting a presentation, select Presentation in the call menu and select Start Presentation. Choose a video source from the list displayed on the screen.

5.3.2 H.239

H.239 supports transmission of two video streams. It combines elements of Duo Video and People+Content. If H.239 is disabled you will still be able to start TANDBERG Dual Video Stream*

Enabled	Enables H.239
Disabled	Disables H.239

* The TANDBERG 550 MXP can only receive Dual Video Stream.

5.3.3 Startup Video Source

The Startup Video Source is the video source on display when the system wakes up from standby mode. If you use Main Camera as start up source, the system will start with Main Camera every time the system wakes up from standby, regardless of what the previous user was using.

You can change Startup Video Source to Main Camera, PC, Document Camera, VCR, AUX, VNC or Current depending on what video sources you have available for your system. Choosing Current will result in the last used video source before the system went to standby.

5.3.4 Presentation Source

The Presentation Source is connected to the Presentation button on the remote. Pressing the Presentation button will put the Presentation Source on display. Presentation Source is PC by default*. You can change the Presentation Source to any video source and none. Choosing none results in opening the Presentation menu when pressing the Presentation key.

* Only for systems with the PC video input available.

5.3.5 Snapshot Source

When you take a Snapshot, you get a snapshot of the Snapshot Source. Current is the default Snapshot Source. This means that you take a snapshot of the video source that is currently active.

You can change the Snapshot Source to any video source. In this way you can program the snapshot key to apply only for PC for instance. Press Snapshot and you will take a PC snapshot regardless of what video source that is currently active.

5.3.6 Auto-Display Snapshot

Select Auto to automatically display a received snapshot. Turn Auto-Display Snapshot Manual if you wish not to have them displayed on the screen when they are sent or received. The snapshots will be sent and received, but not displayed. With Auto-Display Snapshot set for Manual, you must enter the Presentation menu to display a snapshot.

Auto	A sent or received snapshot will automatically be displayed on the screen.
Manual	A sent or received snapshot will not be displayed on the screen. To see the snapshot, choose Display Snapshot in the Presentation menu.

5.3.7 PIP Placing

PIP Placing lets you decide where the PIP shall appear. You can of course move the PIP with the Layout button on the remote anytime.

Top Right	PIP is placed in the Top Right corner.
Bottom Right	PIP is placed in the Bottom Right corner.
Bottom Left	PIP is placed in the Bottom Left corner.
Top Left	PIP is placed in the Top Left corner.

5.3.8 Presentation Rate

When setting up a call with H.323 the bandwidth can be controlled by the user.

The Presentation Rate is expressed in percent of the Call Rate and shall reflect the H.323 Presentation Rate settings of the sender.

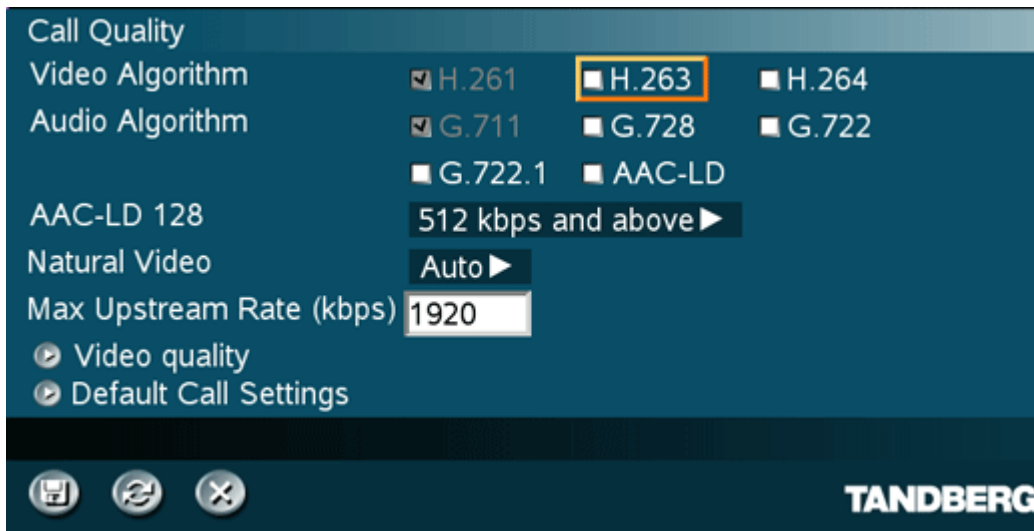
The settings are 25%, 50% and 75% of the total available video stream.

5.3.9 VNC Settings

VNC Settings is necessary when using a VNC presentation. Please see chapter, [PC Soft Presenter and VNC](#), for more information on how to use VNC.

Address	The IP-address of the PC with the VNC software installed. To find the IP-address of the PC, place the mouse pointer on the VNC program icon in the lower right corner of the Windows taskbar. You can also select Command Prompt from the Startup-menu\Run and type cmd then enter. This will open a command window and from here. Type "ipconfig" and press enter.
Display Number	The display number for VNC is 0 and upwards. If you are using WinVNC, double-click on the icon on the taskbar to view WinVNC properties. This number should correspond with Display Number in this menu.
Password	Enter the same password as specified in WinVNC properties. The password will be shown as asterisk signs (*) the next time you enter the menu.

5.4 Call Quality



Call Quality contains the settings:

- [Video Algorithm](#)
- [Audio Algorithm](#)
- [AAC-LD 128kbps](#)
- [Natural Video](#)
- [Max Upstream Rate](#)
- [Video Quality](#)
- [Default Call Settings](#)

5.4.1 Video Algorithm

The system will automatically select the best video algorithm based on the video source and the capabilities of the remote system. Use this menu to disable video algorithms in case you have interoperability issues calling other systems.

H.264	Bandwidth efficient video compression and decompression.
H.263	Normal video compression and decompression.
H.261	Legacy video compression and decompression. The system will always have H.261 enabled. Therefore it is impossible to uncheck H.261.

5.4.2 Audio Algorithm

The system will automatically select the best audio algorithm based on the call rate and the capabilities of the remote system. Use this menu to disable audio algorithms in case you want to remove “low quality” audio, or if you have interoperability issues calling other systems.

G.722	High quality audio (7 kHz at 48kbps, 56kbps or 64kbps)
G.728	Compressed normal quality audio (telephone quality, 3.1 kHz at 16kbps)
G.711	Normal quality audio (telephone quality 3.1kHz at 64kbps). This audio algorithm is mandatory for video meeting equipment and is impossible to uncheck.
G.722.1	Compressed high quality audio (7 kHz at 24kbps, 32kbps and 48kbps).
AAC-LD	CD-quality audio, MPEG-4 Advanced Audio Coding Low Delay (20 kHz, stereo at 128kbps, mono at 64kbps).

Call Rate vs Audio algorithms selected

Modify/remove algorithms used by uncheck the different audio algorithms.

Automatically preferred audio algorithms on call rates up to and including 192kbps

1. G.722.1 (24kbps or 32kbps)
2. G.728 (16kbps)
3. AAC-LD (64kbps or 56kbps)
4. G.722 (56kbps, 64kbps or 48kbps)*
5. G.711 (64kbps, 56kbps or 48kbps)**
6. AAC-LD (48kbps or 128kbps)

Automatically preferred audio algorithms on call rates above 192kbps

1. AAC-LD (128kbps)***
2. AAC-LD (64kbps or 56kbps)
3. G.722 (64kbps, 56kbps or 48kbps)*
4. G.722.1 (32kbps or 24kbps)
5. G.728 (16kbps)
6. G.711 (64kbps, 56kbps, 48kbps)**
7. AAC-LD (48kbps or 128kbps)

* G.722 at 64kbps is used in H.323 (IP) calls only.

** G.711 at 64kbps is used in SIP and H.323 (IP) calls only.

*** Dependent on a call rate above the AAC-LD 128 threshold. Note that this is not available on all TANDBERG systems.

5.4.3 AAC-LD 128kbps (stereo audio)

Specify a call rate for 128kbps AAC-LD. From this call rate and above, "128kbps AAC-LD" is available. On lower call rates "64kbps AAC-LD" is available.

Stereo audio requires twice the bandwidth as mono CD-quality audio. Therefore we recommend to enable stereo audio on high call rates only. To enable stereo CD-quality audio you need to specify a call rate for when stereo automatically should be enabled. On lower call rates, mono CD-quality audio "64kbps AAC-LD" will be enabled. Stereo Input mode needs to be enabled to get stereo audio, see [Stereo Settings](#) for details.

5.4.4 Natural Video

Choosing Natural Video will enable 60 fields* per second true interlaced picture for high motion video. The use of Natural Video requires the H.263+ and H.263++ video protocols. Natural video will be disabled in H.323 MultiSite calls and in H.320 Continuous Presence MultiSite calls.

Auto	<p>When set to 'Auto', the MXP will prefer the H.264 400p/448p resolutions from call speeds between 384kbps and 1920kbps.</p> <p>For calls above 1920kbps, iSIF/iCIF video will then be preferred.</p> <p>However, if Natural Video is forced to a specific call rate (e.g. 768kbps), iCIF/iSIF will be preferred on all calls that match or exceed that call rate.</p> <p>When connecting to systems that do not support the new H.264 resolutions, Natural Video will perform as it did in previous versions.</p>
Off	Natural Video Off will disable both transmission and reception of Natural Video.
Custom	384 kbps and above to 1920 kbps and above.

* 50 fields per second on PAL systems.

5.4.5 Max Upstream Rate (kbps)

The Max Upstream Rate (kbps) defines the desired maximum transmitted call rate over H.323 networks. This is to be able to limit the outgoing (transmit) bandwidth whilst keeping the maximum incoming (receive) bandwidth, especially useful for home offices with different upstream (transmit) and downstream (receive) rates, typically ADSL.

5.4.6 Video Quality

The different video sources need different Video Quality Settings. Main Camera, VCR, AUX and Split Screen have Motion as default. PC, Document Camera and VNC have Sharpness as default.

Motion*	Optimized for smooth motion video (CIF/SIF or w288p for low bandwidths, 448p/400p, Interlaced CIF (iCIF) / Interlaced SIF (iSIF) or w448p for high bandwidths). When a Precision HD Camera is connected it will prefer: w288p for low bandwidths and w448p from 512kbps.
Sharpness*	Optimized for sharp video (4CIF/4SIF, SVGA, XGA, w720p). When a Precision HD Camera is connected it will prefer: w720p.
Auto	The system chooses the best of Motion or Sharpness depending on picture layout and bandwidth.

5.4.6.1 Intelligent Video Management (IVM)

It is possible to configure the picture sent from the system depending upon specific requirements and applications adding an additional level of flexibility and adaptability.

Generally, the IVM will always try to transmit the format closest to the video input format. Each video input can be configured to either motion or sharpness:

Motion*:

When there is a need for higher frame rates, typically when a large number of participants are present or when there is a lot of motion in the picture.

At low bit rate:

- CIF will be used from a PAL video input
- SIF from NTSC
- w288p from wide format (HD720p) input
- VGA/SVGA/XGA from PC, Digital Clarity

At high bit rate:

- 448p will be used from a PAL video input if Natural Video is 'Off' or 'Auto' or if Natural Video is 'x kbps' and the bit rate is lower than x kbps
- 400p from NTSC if Natural Video is 'Off' or 'Auto' or if Natural Video is 'x kbps' and the bit rate is lower than x kbps
- iCIF will be used from a PAL video input, if Natural Video is 'x kbps' and the bit rate is higher than or equal to x kbps
- iSIF from NTSC, if Natural Video is 'x kbps' and the bit rate is higher than or equal to x kbps

- w448p will be used from a wide format (HD720p) input
- VGA/SVGA/XGA from PC, Digital Clarity

Sharpness*:

Improved quality of detailed images and graphics, lower frame rate, ideal for enhancing quality at lower bandwidths.

- 4CIF will be used from a PAL video input, Digital Clarity
- 4SIF from NTSC, Digital Clarity
- w720p will be used from a wide format (HD720p) input
- VGA/SVGA/XGA from PC, Digital Clarity

IVM Resolution

The following table shows relationship between Transmission modes selected by the system when Motion or Sharpness is set in the Call Quality menu. IVM will use this table to optimize the Video quality, according to the capabilities of the remote system(s):

Basic Video Quality	Video Input	Transmission mode selection rules*
MOTION	PAL	448p -> iCIF@50 -> CIF -> QCIF
MOTION	NTSC	400p -> 448p -> iSIF@60 -> iCIF@60 -> SIF -> CIF -> QCIF
MOTION	VGA	448p -> CIF -> QCIF
MOTION	SVGA	448p -> CIF -> QCIF
MOTION	XGA	448p -> CIF -> QCIF
MOTION	Wide	w448p -> w288p -> CIF -> QCIF
SHARPNESS	PAL	4CIF -> VGA -> CIF -> QCIF
SHARPNESS	NTSC	4SIF -> 4CIF -> VGA -> SIF -> CIF -> QCIF
SHARPNESS	VGA	VGA -> 4CIF -> CIF -> QCIF
SHARPNESS	SVGA	SVGA -> XGA -> 4CIF -> VGA -> CIF -> QCIF
SHARPNESS	XGA	XGA -> SVGA -> 4CIF -> VGA -> CIF -> QCIF
SHARPNESS	Wide	w720p -> w576p -> w448p -> w288p -> CIF -> QCIF

Transmission mode with Motion or Sharpness selections.

5.4.6.2 Native Resolutions

The following live video resolutions are supported on the system*:

Native NTSC:

- 4SIF (704 x 480 pixels), *Digital Clarity*
- 400p (528 x 400)
- iSIF (352 x 480 pixels), *Natural Video*
- SIF (352 x 240 pixels)

Native PAL:

- 4CIF (704 x 576 pixels), *Digital Clarity*
- 448p (576 x 448)
- iCIF (352 x 576 pixels), *Natural Video*
- CIF (352 x 288 pixels)
- QCIF (176 x 144 pixels)
- SQCIF (128 x 96 pixels)

Native PC Resolutions:

- XGA (1024 x 768 pixels), *Digital Clarity*
- SVGA (800 x 600 pixels), *Digital Clarity*
- VGA (640 x 480 pixels), *Digital Clarity*

Wide (16:9) Resolutions:

- w288p (512 x 288 pixels)
- w448p (768 x 448 pixels)
- w576p (1024 x 576 pixels)
- w720p (1280 x 720 pixels)

* Note that the TANDBERG 550 MXP and the TANDBERG 1000 MXP do not transmit the following video formats: 448p, 400p, iCIF, iSIF, w288p, w448p, w576p, and w720p.

5.4.7 Default Call Settings

Call Settings are connected with [Call Settings](#) in the call menu. If you leave Call Settings unchanged when making a call, the system will use the default Call Settings in the call.

In addition to the Call Settings Call Type, Net, Bandwidth and Restrict (56k), you also find settings for H.320 Auto bandwidth and H.323 Auto bandwidth in Call Settings.

<p>Call Type</p>	<p>Call Type can be set to:</p> <ul style="list-style-type: none"> ▪ Video Call ▪ Telephone Call <p>If either the Call Type is set to Telephone Call or the Place Telephone Call icon is selected when making a call, the call will be set up as a telephone call. In all other cases the call will be set up as a video call.</p> <p>Some network configurations may cause the setup of a video call to fail. The call will then be set up as a telephone call instead if Fallback to Telephony is enabled.</p> <p>For MultiSite calls, Call Type enables you to specify both telephone calls and video calls in the same conference.</p>
<p>Network</p>	<p>The Network alternatives are:</p> <ul style="list-style-type: none"> ▪ Auto ▪ ISDN ▪ H.323 ▪ SIP <p>If Auto is selected, the system will select the right network depending on the entered number:</p> <ul style="list-style-type: none"> ▪ If an IP-address (e.g. 10.12.34.56) is entered, H.323 is selected. ▪ If the first digits in the number match those set in H.323 Prefix, H.323 is selected. ▪ In other cases, ISDN (H.320) is selected. <p>ISDN indicates:</p> <ul style="list-style-type: none"> ▪ ISDN-BRI <p>If a gatekeeper is present, it is possible to place IP-calls using “telephone-style” numbers, e.g. an E.164 alias, according to the numbering plan implemented in the gatekeeper. The gatekeeper will translate the dialed number into an IP-address, see H.323 Settings for more information about gatekeepers.</p> <p>Select ISDN to ensure that the call is set up as an ISDN call.</p> <p>Select H.323 to ensure that the call is set up as an H.323 call.</p>

	Select SIP to ensure that the call is set up as an SIP call.
Bandwidth	<p>Bandwidth decides the quality of the video picture.</p> <p>When set to Auto the system will establish a connection using a proper bandwidth for the call, typically 384kbps for ISDN calls and 768kbps for IP calls.</p> <p>When set to Max the system will set up the call with maximum bandwidth depending on the selected network.</p> <p>Overview*</p> <p>Auto: 384 kbps on ISDN and 768 kbps on LAN Max: 512 kbps on ISDN-BRI 2Mbps (1920 kbps, IP only)</p> <p>1472 kbps = 23B, IP only 1152 kbps = 18B, IP only 768 kbps = 12B, IP only 512 kbps = 8B 384 kbps = 6B 320 kbps = 5B 256 kbps = 4B 192 kbps = 3B 128 kbps = 2B, Bonding/H.221 64 kbps = 1B, H.221</p> <p>* Note that some software versions and networks do not support all channel selections.</p>
Restrict (56k)	<p>A restricted call uses 56kbps channels rather than the default unrestricted 64kbps channels.</p> <p>Some older networks (primarily in the USA) do not support 64kbps channels and require the use of restricted 56kbps calls. By default the system will dial an unrestricted call and downspeed to 56kbps if necessary.</p> <p>To force a restricted call, choose Restrict (56k) On.</p>

H.221 or 2x64 (2x56) Calling

Some older or low end video systems do not have the ability to make bonded ISDN calls. In these cases it is necessary to dial both ISDN numbers separately to call those systems.

These types of calls are often referred to as

- H.221 calls
- 2x64 calls
- 2x56 calls

- as making 2 x 64 kbps or 2 x 56 kbps calls to the same system.

Place this type of call by:

- Set Network to ISDN
- Set Bandwidth to 128 kbps
- A field for the 2nd number pops up in Call Settings.

- Enter the second number in the Call Settings field. For 128 kbps calls that use bonding, ignore the second number field and just enter one number to be dialed.

Using sub-address / extension address / MCU password

Sub-address is used to address different systems on the same ISDN line and is primarily used in European Countries. LAN equivalent extension address or TCS-4 is used to address different systems on a LAN, when dialing via a gateway.

To specify an ISDN sub-address or its LAN equivalent extension address (TCS-4), add a star (*) after the number and then enter the sub-address/extension address.

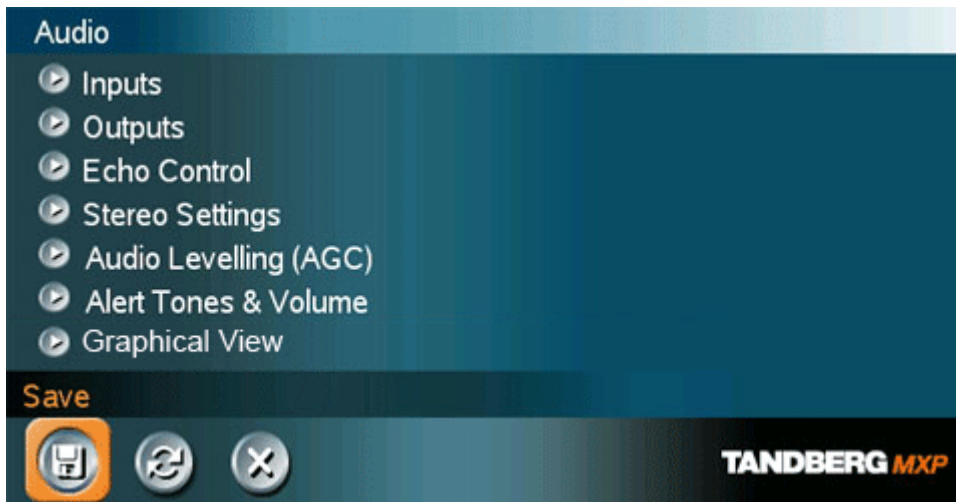
Example:

12345678*10 (<number>*<Sub-address/extension address/MCU password>)

When dialing IP via a gateway, the number behind the star (*) on IP might be interpreted as an extension address.

When calling to external MCU's requiring a password (TSC-1), this password can be added after the star (*). If no password is specified, the user will be asked to enter the password (after connecting to the MCU).

5.5 Audio



Audio contains the settings:

- [Inputs](#)
- [Outputs](#)
- [Echo Control](#)
- [Stereo Settings](#)
- [Audio Leveling \(AGC\)](#)
- [Alert Tones and Volume](#)
- [Graphical View](#)

5.5.1 Inputs

Mic 1- 2 and Audio input 3-4

By default, all inputs are enabled. Just plug in an audio source and it is active. Audio inputs that are On will automatically be mixed. Unconnected inputs will automatically be muted. Select Off to prevent audio/noise from connected but unused inputs. The activated audio sources are stored on camera presets.

Mic 1 and 2 are intended for electrets type microphones. The microphone inputs are balanced with 24V phantom power.

Audio input 3 (AUX) is intended for connection to external playback devices. As there is no acoustic echo canceller on this input it should not be connected to any microphones. The audio source connected to this input will be heard from the local speaker as well.

Audio input 4 (VCR) is intended for connection to a VCR or DVD player. It can also be connected to other external playback devices. As there is no acoustic echo canceller on this input it should not be connected to any microphones. The audio entering this input will be heard from the local speaker as well. If Auto is selected, the audio from the VCR will only be heard when VCR is selected as video source.

Mix Mode

Auto	The adjustment of each microphone signal is done automatically to obtain the best possible audio and minimize the background noise.
Fixed	Fixed will maintain a constant weighting of all microphones.

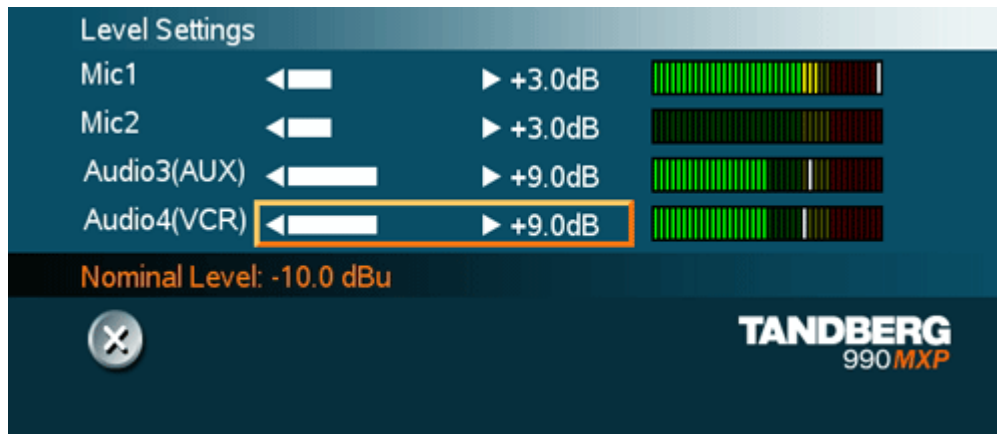
VCR Ducking

If VCR Ducking is activated, the VCR audio level will be attenuated if someone talks into the microphone or at the far end.

The VCR ducking is only valid for audio input 4. If input 3 and 4 is configured to one stereo input pair, see [Stereo Settings](#), then the VCR ducking will apply to both input 3 and 4.

Level Settings

It is possible to adjust the audio input levels according to which external audio equipment is connected. The on-screen audio level indicator will make it easier to set the correct input level settings. The input level should be adjusted so that the average level reaches the transition between the green and the yellow area. The audio inputs are adjustable in steps of 1.5 dB from 0 dB to 22.5 dB.



To help adjusting the input levels there is also a Peak Performance meter showing the peak audio volume for each of the audio inputs. The level should be adjusted so that the Peak Performance meter never reaches the maximum value to avoid the acoustic echo canceller to malfunction due to overload of the microphone.

The default levels for Mic 1 and 2 are set for use with an Audio Technica AT871R or AT841R microphone in an average videoconferencing room. The gain can be adjusted correctly for a wide range of microphones.

A few examples of microphone levels are:

Audio Technica AT871R	+3dB (default)
Audio Technica AT841R	+3dB

TANDBERG Audio Science:

Audio Technica AT-861PZ	+3dB
Crown PZM-6D	+19.5dB

Audio inputs 3 and 4 are set to a default level which is adhered to by most manufacturers of audio-visual equipment and is a level at which most audio-visual equipment (CD-players, VCRs or DVDs) will work.



TANDBERG Audio Science microphone elements: Audio Technica AT-861PZ and Crown PZM-6D

Signal levels - microphone inputs	Clipping level		Nominal level
	Vpp	dBu	dBu
0.0 dB	83.0 mVpp	-28.4 dBu	-46.4 dBu
1.5 dB	69.8 mVpp	-29.9 dBu	-47.9 dBu
3.0 dB	58.8 mVpp	-31.4 dBu	-49.4 dBu
4.5 dB	49.4 mVpp	-32.9 dBu	-50.9 dBu
6.0 dB	41.6 mVpp	-34.4 dBu	-52.4 dBu
7.5 dB	35.0 mVpp	-35.9 dBu	-53.9 dBu
9.0 dB	29.4 mVpp	-37.4 dBu	-55.4 dBu
10.5 dB	24.8 mVpp	-38.9 dBu	-56.9 dBu
12.0 dB	20.8 mVpp	-40.4 dBu	-58.4 dBu
13.5 dB	17.5 mVpp	-41.9 dBu	-59.9 dBu
15.0 dB	14.8 mVpp	-43.4 dBu	-61.4 dBu
16.5 dB	12.4 mVpp	-44.9 dBu	-62.9 dBu
18.0 dB	10.4 mVpp	-46.4 dBu	-64.4 dBu
19.5 dB	8.8 mVpp	-47.9 dBu	-65.9 dBu
21.0 dB	7.4 mVpp	-49.4 dBu	-67.4 dBu
22.5 dB	6.2 mVpp	-50.9 dBu	-68.9 dBu

Table1: Signal Levels - Microphone inputs

Signal levels - line level inputs	Clipping level		Nominal level
	Vpp	dBu	dBu
0.0 dB	15.5 Vpp	17.0 dBu	-1.0 dBu
1.5 dB	13.0 Vpp	15.5 dBu	-2.5 dBu
3.0 dB	11.0 Vpp	14.0 dBu	-4.0 dBu
4.5 dB	9.2 Vpp	12.5 dBu	-5.5 dBu
6.0 dB	7.8 Vpp	11.0 dBu	-7.0 dBu
7.5 dB	6.5 Vpp	9.5 dBu	-8.5 dBu
9.0 dB	5.5 Vpp	8.0 dBu	-10.0 dBu
10.5 dB	4.6 Vpp	6.5 dBu	-11.5 dBu
12.0 dB	3.9 Vpp	5.0 dBu	-13.0 dBu
13.5 dB	3.3 Vpp	3.5 dBu	-14.5 dBu
15.0 dB	2.8 Vpp	2.0 dBu	-16.0 dBu
16.5 dB	2.3 Vpp	0.5 dBu	-17.5 dBu
18.0 dB	2.0 Vpp	-1.0 dBu	-19.0 dBu
19.5 dB	1.6 Vpp	-2.5 dBu	-20.5 dBu
21.0 dB	1.4 Vpp	-4.0 dBu	-22.0 dBu
22.5 dB	1.2 Vpp	-5.5 dBu	-23.5 dBu

Table2: Signal Levels - Line level inputs

Note that for the dBu value for input clipping level and absolute max output level, a sine waveform is assumed. If numbers in dBV are required, dBV value is 2.2 dB lower than the dBu value, e.g. -10 dBu equals -12.2 dBV

Please see [Interfaces](#) for details on the audio connectors.

5.5.2 Outputs

Audio out 1 - 2

Audio out 1 is intended for connection to televisions or audio amplifiers.

Audio out 2 is intended for connection to a VCR or other recording equipment. The signal is a mix of audio from far end and local end (except VCR in).

Note that audio out 2 never should be connected to a loudspeaker placed in the same room as the microphones connected to the system. This will cause "howling" and possible damage to the speaker system. If an output is Off, no audio will be sent to that output.

Out 1 Mode

If Out 1 Mode is set to Auto, the system will select analog or digital (SPDIF) mode dependent on the detected Audio Module. If a TANDBERG Digital NAM is detected, SPDIF mode will be selected, otherwise analog mode will be selected.

Setting the Out 1 Mode to either Analog or SPDIF will override the auto-detected mode.

See [Stereo Settings](#) for more information.

Audio Module

Select Audio Module according to the type of Audio Module installed if this is not automatically detected. The Audio Module setting is only available if the audio module of the system is unidentified.

Level Settings

Adjust the audio output levels according to the parameters of the external audio equipment connected. These levels should only be adjusted when installing new audio equipment. The default settings are correct for the TANDBERG Digital Natural Audio module and for most consumer electronics devices (televisions, VCRs, etc.). The volume keys on the remote control adjust the level of output 1 (the speaker output). The volume control has no effect on other outputs.

Signal levels - line level outputs*	Absolute max. output level		Nominal level
	Vpp	dBu	dBu
0.0 dB	1.2 Vpp	-5.5 dBu	-23.5 dBu
1.5 dB	1.4 Vpp	-4.0 dBu	-22.0 dBu
3.0 dB	1.6 Vpp	-2.5 dBu	-20.5 dBu
4.5 dB	1.9 Vpp	-1.0 dBu	-19.0 dBu
6.0 dB	2.3 Vpp	0.5 dBu	-17.5 dBu
7.5 dB	2.8 Vpp	2.0 dBu	-16.0 dBu
9.0 dB	3.3 Vpp	3.5 dBu	-14.5 dBu
10.5 dB	3.9 Vpp	5.0 dBu	-13.0 dBu
12.0 dB	4.6 Vpp	6.5 dBu	-11.5 dBu
13.5 dB	5.5 Vpp	8.0 dBu	-10.0 dBu
15.0 dB	6.5 Vpp	9.5 dBu	-8.5 dBu
16.5 dB	7.8 Vpp	11.0 dBu	-7.0 dBu
18.0 dB	9.2 Vpp	12.5 dBu	-5.5 dBu
19.5 dB	11.0 Vpp	14.0 dBu	-4.0 dBu
21.0 dB	13.0 Vpp	15.5 dBu	-2.5 dBu
22.5 dB	15.5 Vpp	17.0 dBu	-1.0 dBu

* Applies to Output 1 at volume setting 15.

Note that for the dBu value for input clipping level and absolute max output level, a sine waveform is assumed. If numbers in dBV are required, dBV value is 2.2 dB lower than the dBu value, e.g. -10 dBu equals -12.2 dBV

Please see [Interfaces](#) for details on the audio connectors.

5.5.3 Echo Control

Mic 1-2

Each of the 2 microphone inputs has a separate acoustic echo canceller. One echo canceller per input provides more sophisticated control than having one common canceller for all microphones. In addition to echo cancellation, the system has built-in noise reduction (NR). NR reduces constant background noise (e.g. noise from air-conditioning systems, cooling fans etc.). In addition, a high pass filter (Humfilter) reduces very low frequency noise.

On	Echo control is normally set to On to prevent the far end from hearing their own audio. Once selected, echo cancellation is active at all times. The echo canceller continuously adjusts itself to the audio characteristics of the room and compensates for any changes it detects in the audio environment. If the changes in the audio conditions are very significant the echo canceller may take a second or two to re-adjust.
Off	You can choose to switch off the echo canceller for the available audio sources. Echo Control should be switched Off if external echo cancellation or playback equipment is used.
On+NR	Activates both Echo Control and Noise Reduction.

Note that it is your echo canceller that improves the audio quality experienced by the other site. When you hear an echo of your own audio it is most likely the far end's echo canceller that is malfunctioning.

Tips for improving the echo canceller performance:

- Place all microphones as far as possible from the loudspeakers. Minimum loudspeaker-microphone distance should be 2 meters (6.5 ft).
- It is recommended to place the microphones between 1 and 2 meters away from the persons speaking. By using several microphones, the ratio distance loudspeaker-to-mic/mic-to-speaker can be increased. Increasing this ratio improves the echo canceller performance.
- Place the microphones as far as possible from noise sources.
- Reduce the volume setting. Ensure that the loudspeakers do not distort the audio.
- The echo canceller tries to estimate the echo path from the speaker system to the microphones. Moving objects change this path; therefore try to avoid moving objects. Be especially aware of large objects and objects placed close to either the microphone or the speaker system as these objects will cause severe changes to the echo path.
- Avoid putting paper sheets etc. on the microphone.
- Avoid moving the microphone or loudspeaker.
- In the presence of low frequency noise, enable the noise reduction (NR).

5.5.4 Stereo Settings

Settings			Output response	
Out 1 Mode*	Stereo input mode	Stereo Speakers	Audio out 1	Audio out 2
Analog	Off	Off	Loudspeaker mono	VCR
Analog	Off	On	Loudspeaker left	Loudspeaker right
Analog	On	Off	Loudspeaker mono	VCR
Analog	On	On	Loudspeaker left	Loudspeaker right
SPDIF	Off	Off	Loudspeaker mono	VCR
SPDIF	Off	On	Loudspeaker L+R**	VCR
SPDIF	On	Off	Loudspeaker mono	VCR
SPDIF	On	On	Loudspeaker L+R**	VCR

*Out 1 mode: Auto/Analog/SPDIF is described in [Outputs](#).

**L+R = Left + Right

When **Stereo Speakers is Off**, the output response will be a mono loudspeaker signal on Audio out 1 and VCR on Audio out 2 regardless on the Out 1 Mode and Stereo Input mode settings.

In analog mode the **Stereo Speaker On** will provide a stereo loudspeaker signal on Audio out 1 and 2.

If **Stereo input mode is Off**, Audio out 2 will be a mix of audio input 3, microphones and the far end (the received far end signal is either mono, or stereo that is summed left+right into mono in near end codec). (Note that stereo speakers set to on in analog mode will provide a different scheme, see table above for details)

If **Stereo input mode is On**, Audio out 2 will be a mix of the microphones and the far end. (Note that stereo speakers set to on in analog mode will provide a different scheme, see table above for details)

If the system is **connected to a Digital NAM**, stereo sound on the loudspeakers shall be present if a stereo input signal is connected to the inputs VCR-Left and VCR-Right or a stereo signal is received from the Far End.

If the system is **not connected to a Digital NAM**, stereo sound on the loudspeaker outputs will be present in the following situations:

- If system is idle and a stereo input signal is connected to the inputs VCR-Left and VCR-Right.
- If system is in a call with mic off and a stereo input signal is connected to the inputs VCR-Left and VCR-Right, or a stereo signal is received from the Far End.
- Otherwise the Loudspeaker Left signal will be equal to Loudspeaker Right.

5.5.5 Audio Leveling (AGC)

On	Select On to allow automatic adjustments (Automatic Gain Control) of audio levels. When On, the AGC maintains the audio signal level at a fixed value by attenuating strong signals and amplifying weak signals. Very weak signals, i.e. noise alone, will not be amplified.
Off	Audio leveling is not activated.

Note that to ensure correct behavior of the AGC, it is crucial that the levels on the input connectors are adjusted correctly using the audio input level settings. The AGC will not compensate for severe maladjustment of input levels.

When applying a weak signal in the presence of strong background noise, the AGC might amplify the background noise as well as the signal. Therefore, in noisy environments, it is advisable to turn the AGC off.

Example:

In most conferences, the participants will speak at different levels, and be at different distances from the microphones. As a result, some of the participants would be harder to hear than others. The AGC corrects this problem by automatically increasing the microphone levels when “quiet” or “distant” people speak, and by decreasing the microphone levels when “louder” people speak.

5.5.6 Alert Tones and Volume

Video Call Alert Tone and Telephone Alert Tone

To help distinguish between incoming video calls and ordinary telephone calls, it is recommended to use different ringing tones for video calls and telephone calls.

Alert Volume

You may change the volume level for the selected ringing tone.

Alert Speaker

The system also has an internal, call-alerting speaker.

On	The internal speaker will warn you of an incoming call even though the monitor may not be switched on.
Off	The internal speaker is switched off.

Key Tones

On	There will be a sound indicator when pressing keys on the remote control.
Off	There will be no sound when pressing keys on the remote control.

5.5.7 Graphical View

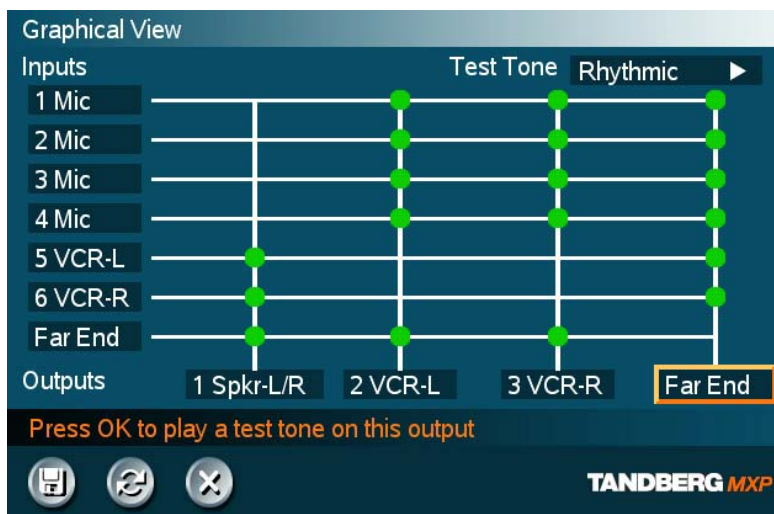
Graphical View

The graphical view is a visual presentation of the audio inputs and audio outputs.

- The Inputs + Far End In are listed on the left, showing the name of the input sources.
- The outputs + Far End Out are listed on the bottom, showing the name of the output sources.
- The green dots show the active connections between inputs and outputs.

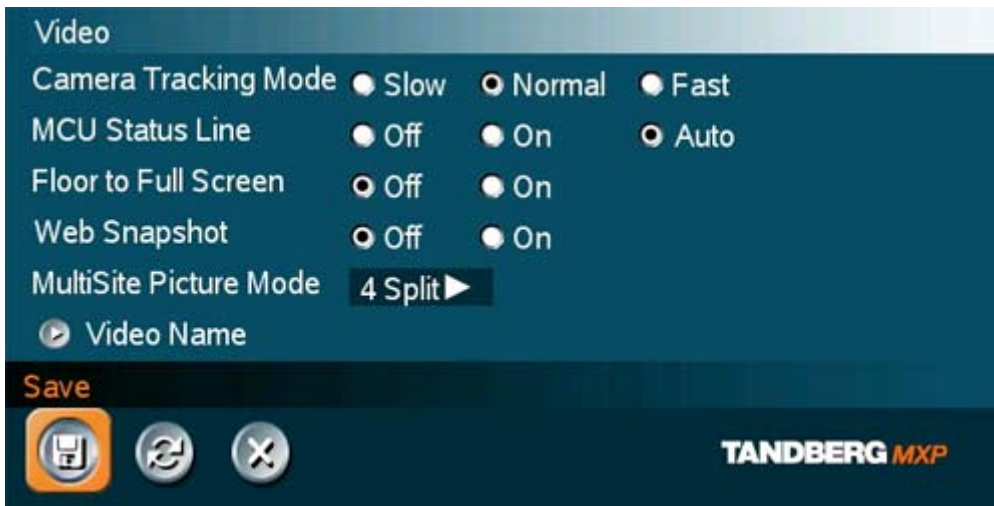
Press the buttons for the input sources and the output sources to show the active audio streams.

Test tone: Select an input/output source and press OK to play a test tone.



The active audio streams on Far End Out

5.6 Video



Video contains the settings:

- [Camera Tracking Mode](#)
- [MCU Status Line](#)
- [Floor to Full Screen](#)
- [Web Snapshots](#)
- [MultiSite Picture Mode](#)
- [Video Name](#)

5.6.1 Camera Tracking Mode

Slow	The system waits a while before zooming in on a single person speaking. Suitable when wide-angle images are preferred over close-up images.
Normal	Should be used in regular meetings.
Fast	The system quickly zooms in on a single person speaking. Suitable when close-ups are preferred over wide-angle images.

Note that the Camera Tracking Mode entry will not be available if not using the TANDBERG Precision HD Camera or the TANDBERG WAVE II Camera.

5.6.2 MCU Status Line

On	The MultiSite / MCU / DuoVideo indicators will be displayed and provide information about the conference.
Off	The MultiSite / MCU / DuoVideo indicators will not be displayed.
Auto	The MultiSite / MCU / DuoVideo indicators will be displayed for a few seconds and then timed out. When grabbing the remote control, the indicators will be shown again.

5.6.3 Floor to Full Screen

When "Floor to Full Screen" is enabled, someone who requests floor will be seen by all participants as full screen. When "Floor to Full Screen" is "Off", someone who request floor in a MultiSite conference using the 5+1 layout will be seen in the large square, rather than full screen.

On	The participant that has the floor is displayed in full screen regardless of what MultiSite layout that is used.
Off	The participant that has the floor is displayed in the MultiSite layout that is used.

5.6.4 Web Snapshots

The system is able to generate JPEG snapshots and provide them when requested (as 'http get' or via ftp). See [Appendix 6](#) for descriptions of the possible snapshot files.

On	Snapshots generation is enabled.
Off	Snapshots generation is disabled.

Note that web snapshots are not generated if the conference is encrypted.

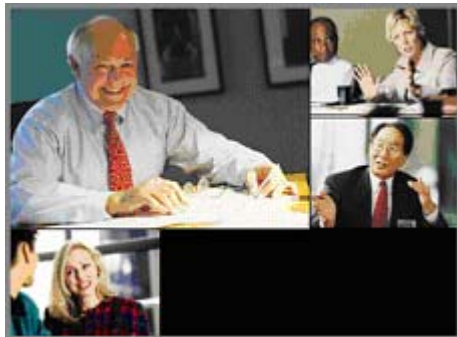
5.6.5 MultiSite Picture Mode

MultiSite* Picture Mode determines the default layout of a MultiSite call. Available layouts are: Auto Split, 4 Split, 5+1 Split, and Voice Switched. You can change the layout during a call using the layout option in MultiSite Services.

Auto Split	Auto Split displays all participants on the screen simultaneously. A MultiSite call with 3 or 4 video participants is displayed with 4 Split. A MultiSite call with 5 or 6 video participants is displayed with 5+1 Split.
Voice Switched	Voice Switched mode displays the participant that is speaking in full screen.
4 Split	4 Split displays the 4 last speaking Participants.
5+1 Split	5+1 Split displays the speaking participant in a big picture and the other participants in small pictures.



Continuous Presence layout 4 split



Advanced Continuous Presence Layout (5+1)

TANDBERG Edge 75/85/95 MXP



Voice Switched mode

* The MultiSite option is not available on the TANDBERG 770 MXP.

5.6.6 Video Name

As a default, the video inputs are given the names Main Cam, PC, Doc Cam, VCR, AUX or VNC, dependent on what video sources are available on your system. The video names cannot exceed eight characters. The names correspond to the video names in the Presentation Menu (Choose Presentation from the Menu and open the Main Video or Presentation Video pop up menu). If video names are changed, you will see the changed name appear in the Main Video and Presentation Video menus.

5.7 Security

Security

Encryption Off On Auto

Encryption Mode AES DES Auto

Administrator Password

IP Access Password

Streaming Password




VNC Password

Remote Upgrade Password

Access Code Off On

Camera Standby Mode Off On

Save

TANDBERG MXP

Security contains the settings:

- [Encryption](#)
- [Encryption Mode](#)
- [Passwords](#)
- [Camera Standby mode](#)

5.7.1 Encryption

(Country specific)

Auto	<p>The system will try to set up calls using encryption.</p> <p>Point to point calls: If the far end system supports encryption (AES or DES), the call will be encrypted. If not, the call will proceed without encryption.</p> <p>MultiSite calls*: In order to have encrypted MultiSite calls, all sites must support encryption. The padlock symbol will indicate encryption mode (AES or DES). If there is a mix of AES and DES encryption, only the symbol for DES encryption (single padlock) will be displayed. The 'closed padlock' will only be displayed on each site when all links in the MultiSite conference are encrypted.</p> <p>If the far end supports encryption, the systems will initiate encryption after the call is connected (an 'open padlock' symbol will be displayed). When encryption has been established, a 'closed padlock' symbol will be displayed.</p>
On	<p>The system will only send and receive encrypted data. The call will not be established if not all participants support encryption.</p>
Off	<p>The system will not send or receive encrypted data.</p>

Technical encryption information like encryption algorithm and encryption check code can be found in the Call Status menu.

* Only available on systems with MultiSite option supported and installed.

5.7.2 Encryption Mode

Auto	The system will try to use the most secure encryption - AES, dependent on the capabilities of the other sites. For sites that do not support AES encryption, DES encryption will be tried.
AES	The system will try to use AES with 128 bits encryption when setting up calls. If AES is not supported by the other site(s), no other type of encryption will be initiated.
DES	The system will always try to set up the call using DES with 56 bits encryption on ISDN and IP. If all other sites do not support DES, no other type of encryption will be initiated.

Both AES and DES Encryption are supported for mixed ISDN/IP calls. In addition AES -and DES Encrypted sites can be connected at the same time.

5.7.3 Passwords

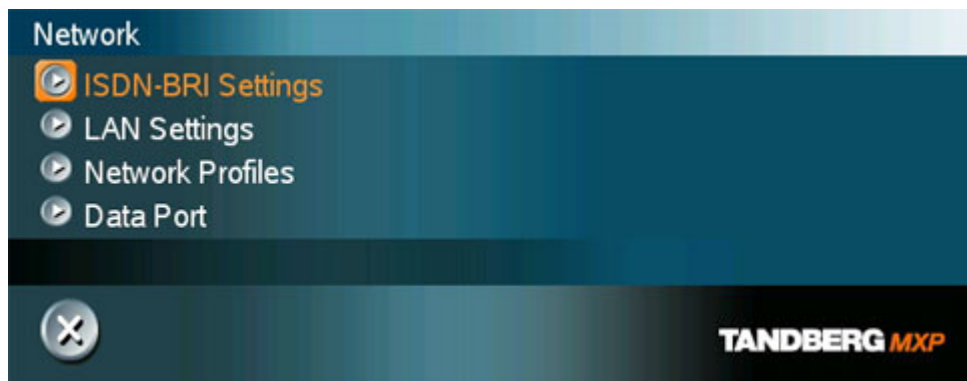
Administrator Password, IP Access Password, Streaming Password, VNC Password, Access Code and Remote Software Upgrade password are duplicated from their respective menus. Using the Security menu gives you a quick way to change all passwords of the system.

5.7.4 Camera Standby Mode

There is a setting to the Security menu called Camera Standby mode On (default)/Off. When Camera Standby mode is On, the camera turns away when standby is activated. When the system is activated the camera turns back to normal position.

On	The camera will turn away when standby mode is activated and turn back to normal position when the system is active again. This makes it easy to do a visual check to see if the camera is active or not.
Off	The camera will always stay in normal position and will not turn away when standby mode is active.

5.8 Network



The network menu contain:

- [ISDN-BRI Settings](#)
- [LAN Settings](#)
- [Network Profiles](#)
- [Data Port](#)

5.8.1 ISDN-BRI Settings

To make sure your system will work properly using ISDN-BRI, make the following settings:

1. Set ISDN switch type
2. Enter ISDN line numbers (and SPIDs, if required)
3. Disable unused lines

Some software versions do not support 6 ISDN lines, therefore some of the Line Setup entries may be grayed out.

ISDN switch type

Select the type of ISDN network connected to your unit. Note that 1TR6 should only be used if you are operating the system behind a PABX.

Line setup

This menu allows you to program the numbers associated with your ISDN line. If you want to use this ISDN line, you need to set Enabled On and enter the numbers of your ISDN line. If some of the ISDN lines are not to be used, set Enabled Off. Line 1 should always be enabled. National ISDN and AT&T Custom ISDN might require SPID numbers associated with your ISDN numbers. If you have received two different SPID (Service Profile IDentifier) numbers for each ISDN line from your network provider, you must program both.

<i>Example*:</i>		
	Numbers	SPIDS
ISDN BRI 1:	67838498 67838498	016783849800 016783849810
ISDN BRI 2:	23478060 23478070	012347806000 012347807000
ISDN BRI 3:	23478420 23478430	012347842000 012347843000
ISDN BRI 4:	23478520 23478530	012347852000 012347853000

* Note that some systems has less than 4 BRIs available.

Advanced ISDN Settings

Sub address

Using a sub address enables you to connect up to eight ISDN terminals to the same ISDN telephone number and line. The terminals are addressed by using different sub addresses. To

call a terminal with a sub address, separate the ISDN telephone number and the sub address with a '*'. Note that this service has limited access on some ISDN networks.

Example: 12345678*2 (up to four digit sub addresses are possible).

Validate Numbers / MSN (Multiple Subscriber Number)

The use of MSN (Multiple Subscriber Number) enables you to attach different ISDN terminals, with different numbers, to the same physical ISDN telephone line. If Validate Numbers is set to On only calls to those numbers specified in the Line Setup menus will be answered. This service can be ordered from your telephone company.

Parallel dial

On	Channels will be dialed and connected in parallel when setting up a BONDING call.
-----------	---

Off	Channels will be dialed one by one, which may increase the dialing time.
------------	--

Send Own Numbers

On	The system will send its own numbers to the far end.
-----------	--

Off	The system will not send its own numbers to the far end, but please note that the network may still send your numbers to the far end.
------------	---

Sending Complete

On	The system will send the ISDN message information element Sending Complete.
-----------	---

Off	The system will not send Sending Complete.
------------	--

5.8.2 LAN Settings

LAN Settings contain:

- [IP Settings](#)
- [H.323 Settings](#)
- [SIP Settings](#)
- [Wireless LAN Settings](#)
- [SNMP Settings](#)
- [IP Services](#)
- [Quality of Service](#)
- [802.1X Settings](#)

5.8.2.1 IP Settings

Remember to restart the system after making changes to IP Settings. This can be done by selecting the “Save and Restart” at the bottom of the IP setting menu. Changes in IP Settings menu will not have any effect until the system is restarted.

IP Protocol

IPv4	IP version 4 supported.
IPv6	IP version 6 supported. IP Address, IP Subnet Mask and Gateway will be disabled.
Both	Both IP version 4 and IP version 6 supported.

IP-assignment

DHCP (Dynamic Host Configuration Protocol) can be selected when a DHCP server is present.

Note that for IPv6, DHCP is used for NTP / DNS Server Addresses.

DHCP	IP-address, IP-subnet mask and Gateway are not used because the DHCP server assigns these parameters.
Static	The system's IP-address, IP-subnet mask and Gateway must be specified in the IP-address field.

IP-address

IP-address defines the network address of the codec. This address is only used in static mode. In DHCP-mode, the assigned IP-address can be found on the Welcome Menu.

IP-subnet mask

IP-subnet mask defines the type of network. This address is only used in static mode. Your LAN-administrator will provide the correct value for this field.

Gateway

When using DHCP, the default gateway will be set automatically. If the LAN utilizes static IP addresses, IP address, subnet mask, and default gateway must be specified by the LAN administrator.

Ethernet Speed

Auto	The codec will auto-detect the speed/duplex on the LAN.
10/Half	The codec will connect to the LAN using 10Mbps speed/Half Duplex.
10/Full	10 Mbps speed/Full Duplex.
100/Half	100 Mbps speed/Half Duplex.
100/Full	100 Mbps speed/Full Duplex.

IP Access Password

By setting an IP Access Password on the system, all access to the system using IP (Telnet, FTP and WEB) requires a password. The default IP Access Password is "TANDBERG".

DNS Settings

DNS Server 1-5

DNS Server defines the network addresses for DNS servers. Up to 5 addresses may be specified. If the network addresses are unknown, please contact your administrator or Internet Service Provider.

DNS Domain Name

DNS Domain Name is the default domain name suffix which is added to unqualified names.

Example:

DNS Domain Name is “example.com”, and the name to lookup is “videosystem” will result in a “videosystem.example.com” DNS lookup.

5.8.2.2 H.323 Settings

E.164 alias

This is the E.164 address of the system. The E.164 address is equivalent to a telephone number, sometimes combined with access codes. Valid characters are 0-9, * and #. When using a gatekeeper, the system will send a message to the gatekeeper containing both the E.164 address and the H.323 ID of the system.

H.323 ID

The H.323 ID of the system may be specified here. The System name is used if no H.323 ID is entered.

H.323 Call Setup

Direct	An IP-address must be dialed in order to make a H.323 call. The system will not use a gatekeeper or CallManager
Gatekeeper	The system will use a gatekeeper to make an H.323 call.
CallManager	The system will use a CallManager to make a H.323 call.

H.323 Prefix

When dialing a number prefixed with digits specified by H.323 Prefix, and with Net: Auto, an H.323 call will be placed.

Example:

H.323 Prefix is "555". Dialing "55582" with "Net:Auto" will select LAN.

Gatekeeper Settings

Gatekeeper Discovery

Auto	The system will automatically try to register to any available gatekeeper. If a gatekeeper responds to the request sent from the codec within 30 seconds this specific gatekeeper will be used. This requires auto discovery on the gatekeeper as well. If no gatekeeper responds, the system will not use a gatekeeper for making H.323 calls and hence an IP-address must be specified manually.
Manual	The system will use a specific gatekeeper identified by Gatekeeper IP-address.

Gatekeeper IP Address

This is the gatekeeper IP-address that is used if you specify H.323 Call Setup: Gatekeeper and Gatekeeper Discovery: Manual.

Note that if your system is part of a TANDBERG Expressway™ firewall traversal solution and is placed outside the firewall, you should register the IP address of your Border Controller as the Gatekeeper IP address and set H.323 Call Setup to Gatekeeper.

Authentication Mode

Auto	If Authentication Mode is set to Auto and the gatekeeper indicates that it requires authentication, the endpoint will automatically try to authenticate itself to the Gatekeeper.
Off	If Authentication Mode is set to Off the system will not try to authenticate itself to a Gatekeeper, but will still try a normal registration.

Authentication ID / Authentication Password

The system sends the Authentication ID and Password to a Gatekeeper for authentication. The authentication is a one way authentication from the endpoint system to a Gatekeeper, i.e. the endpoint is authenticated to the Gatekeeper. If the Gatekeeper indicates that no authentication is required, the endpoint will still try to register.

Multiple H323 Aliases

On	If set to On, the system will register multiple H.323-IDs on the Gatekeeper based on the values of the parameters: System Name, International Name and H.323 ID. Up to 3 aliases are possible.
Off	If all fields are empty, the System Name is set to TANDBERG-<serial no> and

[Multiple H.323 Aliases](#) is set to Off.

If set to Off, the system will register a single H.323-IDs on the Gatekeeper based on the following priority:

- H.323 ID
- International Name
- System Name

The default setting for [Multiple H.323 Aliases](#) is Off.

CallManager Settings

CallManager IP

This is the CallManager IP-address that is used if you specify H.323 Call Setup: CallManager.

Advanced H.323 Settings

The Advanced H.323 Settings only have an effect if they are supported by your IP infrastructure.

NAT

NAT, Network Address Translation, is used when a PC and a video communication system are connected to a router with NAT support. NAT support in the video communication system enables proper exchange of audio/video data when connected to an external video communication system (when the IP traffic goes through a NAT router). When NAT is On, the NAT Server Address will be shown in the startup-menu: "My IP Address: 10.0.2.1".

On	The system will signal the configured "NAT Address" in place of its own IP-address within Q.931 and H.245.
Auto	The system will try to determine if the "NAT Address" or the real IP-address should be used within signaling. This is done to make it possible to place calls to endpoints on the LAN as well as endpoints on the WAN.

NAT Address

This must be the external/global IP-address to the router with NAT support. Packets sent to the router will then be routed to the system. In the router, the following ports must be routed to the system's IP-address:

Port 1720
Port 5555-5560
Port 2326-2365

Please contact your TANDBERG representative for further information.

RSVP

Auto	Resource Reservation Protocol enables the systems to request the optimal amount of bandwidth for the duration of an IP videoconference.
Off	Resource Reservation Protocol is switched off.

H.323 Ports

Static	When selecting static H.323 ports for TCP connections the ports 5555 to 5574 will be used for Q.931 and H.245 respectively.
Dynamic	The system will allocate which ports to use when opening a TCP connection. The reason for doing this is to avoid using the same ports for subsequent calls as some firewall consider this as a sign of attack. When selecting Dynamic, the H.323 ports used are from 11000 to 65535. Once 65535 is reached they restart again at 11000.

5.8.2.3 SIP Settings

Mode

On	Setting the SIP mode to on will enable the system for incoming and outgoing SIP calls.
Off	Setting the SIP mode to off will disable incoming and outgoing SIP calls from the system.

Display Name

The Display name part of the SIP Address (URI) is usually a full name or system name.

Examples:

“Alice Wonderland”
“System 01”

SIP Address

The SIP Address is the SIP URI used to address the system.

SIP Address (URI): <text field>

Examples:

“alice@example.com”
“1234”
“1234@example.com”

Server Discovery

Auto	When Auto is selected, the SIP Server address is obtained using Dynamic Host Configuration Protocol (DHCP).
Manual	When Manual is selected, the manually configured SIP Server address will be used.

Server Address

The Server Address is the manually configured address for the outbound proxy and registrar. It is possible to use a fully qualified domain name, or an IP address. The default port is 5060 for TCP and UDP, but another one can be provided.

Server Address: <text field>

Examples:

```
"sipserver.example.com"  
"sipserver.example.com:5060"  
"10.0.0.2"  
"10.0.0.2:5061"
```

Authentication

User Name

This is the user name part of the credentials used to authenticate toward the SIP Server.

User name: <text field>

Password

This is the password part of the credentials used to authenticate toward the SIP Server.

Password: <text field>

Server Type

Available servers are: Auto, Nortel, Microsoft and Experimental.

Current RFC's and Drafts supported:

- RFC 3261 SIP: Session Initiation Protocol
- RFC 3581 An Extension to the Session Initiation Protocol (SIP) for Symmetric Response Routing
- RFC 2327 SDP: Session Description Protocol
- RFC 3264 An Offer/Answer Model with the Session Description Protocol (SDP)
- RFC 3263: Session Initiation Protocol (SIP): Locating SIP Servers - No support for NAPTR records.
- RFC 3311 The Session Initiation Protocol (SIP) UPDATE Method
- RFC 2976 SIP INFO Method
 - Draft-levin-mmusic-xml-media-control-03.txt - Used for video fast picture update requests
- RFC 3361 Dynamic Host Configuration Protocol (DHCP-for-IPv4) Option for Session Initiation Protocol (SIP) Servers
- RFC 3550 RTP: A Transport Protocol for Real-Time Applications
- RFC 2032 RTP Payload Format for H.261 Video Streams
 - Draft-ietf-avt-rfc2032-bis-06.txt - Draft for advanced video signaling including resolution and mpi.
- RFC 2190 RTP Payload Format for H.263 Video Streams

- RFC 2429 RTP Payload Format for the 1998 Version of ITU-T Rec. H.263 Video (H.263+)
 - Draft-ietf-avt-rfc2429-bis-05.txt - Draft for advanced video signaling including resolution, mpi, annexes and custom formats.
- RFC 3047 RTP Payload Format for ITU-T Recommendation G.722.1
- RFC3581 An Extension to the Session Initiation Protocol (SIP) for Symmetric Response Routing
- RFC3984 RTP Payload Format for H.264 Video
- RFC3016 RTP Payload Format for MPEG-4 Audio/Visual Streams

Media Capabilities supported in SIP:

Audio:

PCMU (G.711 u-law)

PCMA (G.711 a-law)

G.722 64 kbps

G722.1 24kbit

G.722.1 32 kbps

AAC-LD 64 kbps

AAC-LD 128 kbps

Video:

H.261: QCIF 1/30, CIF 1/30

H.263: SQCIF 1/30, QCIF 1/30, CIF 1/30, 4CIF 2/30

H.263++: XGA 4/30, SVGA 3/30, VGA 2/30, SQCIF 1/30, QCIF 1/30, CIF 1/30, 4CIF 2/30

H.264: QCIF 1/30, CIF 1/30, WCIF (w288p) 1/30, W4CIF (w576p) 1/30, 4CIF 1/30, SIF 1/30,

HD1280x720 (w720p) 1/30

5.8.2.4 Wireless LAN Settings

SSID (Service Set Identification)

Example: "WLANNETWORK". This defines a local network id for this wireless region. It must be the same for all end points and the access point. An endpoint will find the access point if the SSID is correct, however if the encryption key is faulty it will not transmit any data.

Community (optional)

Community can be used when connecting to an access point where the SSID is the same. Example "Unit2".

WLAN Mode

AdHoc	Used when not communicating with an access point.
Managed	Used when communication is made through an access point.

Make sure the corresponding settings are programmed into the access point. Press "Restart" from Control Panel in order to activate the settings.

Required cards

- Compaq WL110 11 Mbps Wireless LAN
- Lucent Orinoco 11 Mbit/s SILVER
- Lucent Orinoco 11 Mbit/s GOLD
- Cisco Aironet 350 series (AIR-PCM 350 series)
- Enterasys Networks RoamAbout 802.11 DS High Rate
- Melco Buffalo WLI-PCM-L11G

Recommended access point

- Compaq WL410 base station

Note! The PC card/PCMCIA-card used must comply with the relevant regulations for such cards in the country where it is used. The unit must be supplied by power supply (AC-DC adapter) powerbox SPN-270-12, which complies with the requirements for limited power source according to IEC/EN 60950.

Encryption

Select Encryption if you want to use WEP encryption on your Wireless LAN connection. Increased encryption level will decrease performance.

Use Key	Select which of the keys shown below you want to use.
Key 1-4	The 64-bit keys can consist of a leading star (*) and 5 characters. The 128-bit key can consist of a leading star (*) and 13 characters. Start with a * and then the text. Example: 128 bit key: *secretkeyhome.

Encryption using Hex numbers The 64-bit keys can consist of 10 hexadecimal digits. Example: "de01ad4dbe". The 128-bit key can consist of 26 hex numbers.

5.8.2.5 SNMP Settings

SNMP Settings

SNMP Trap Host identifies the IP-address of the SNMP manager. SNMP (Simple Network Management Protocol, SNMP Ver 1) is used for monitoring and configuring of different entities in a network. The system's SNMP Agent responds to requests from SNMP Managers (a PC program etc.). SNMP traps are generated by the agent to inform the manager about important events.

Traps can be sent to multiple SNMP Trap Hosts. Enter the IP address of up to three SNMP managers. All traps will then be sent to the hosts listed.

SNMP Community names are used to authenticate SNMP requests. SNMP requests must have a 'password' in order to receive a response from the SNMP agent in the codec. Note that the SNMP Community name is case sensitive. The default password is "public".

5.8.2.6 IP Services

NTP IP

This is the NTP time server address from which the system can get updated time information. This is a requirement for proper operation if H.235 authentication is implemented.

The Network Time Protocol (NTP) is used to synchronize the time of the system to a reference time server. The NTP IP setting holds the IP address to a time source where the system can get the exact time. The time server will subsequently be queried every 24th hour for time updates. The system will use the time to timestamp messages transmitted to Gatekeepers or Border Controllers requiring H.235 authentication.

HTTPS Protocol

HTTPS can be enabled and disabled from the used interface. For more info on HTTPS, please refer to the IP Protocol sections.

5.8.2.7 Quality of Service

QoS Type

Off	No QoS is used.
Diffserv	Diffserv QoS method is used. Please see below for details.
IP Precedence	IP Precedence QoS method is used. Please see below for details.

IP Precedence Video

Used to define which priority audio, video, data and signaling should have in the network. The higher the number, the higher the priority. The priority ranges from 0(off) - 7 for each type of packets.

Auto will provide the following priority:

Audio	4
Video	4
Data	3
Signaling	6

IP Type of Service (TOS) helps a router select a routing path when multiple paths are available.

Delay	Tells the router to minimize the delay.
Throughput	Tells the router to maximize the throughput.
Reliability	Tells the router to maximize the reliability.
Cost	Tells the router to minimize the cost.

IP Precedence Telephony

Used to define which priority audio should have in the network for telephone calls. The higher the number, the higher the priority. The priority ranges from 0(off) - 7 for each type of packets.

Auto will provide the following priority:

Audio	4
-------	---

Diffserv Video

Used to define which priority Audio, Video, Data and Signaling packets should have in an IP network. The priority ranges from 0 to 63 for each type of packets.

Diffserv Telephony

Used to define which priority Audio packets should have in an IP network for telephone calls. The priority ranges from 0 to 63 for each type of packets.

5.8.2.8 IEEE 802.1x

802.1X

The system may be connected to an IEEE 802.1x LAN network. Supported 802.1x protocols are EAP-MD5, EAP-PEAP and EAP-TTLS. The 802.1x authentication are enabled by setting 802.1x Mode to On.

On	802.1x authentication enabled
Off	802.1x authentication disabled

Anonymous Identity

The 802.1x Anonymous ID string is to be used as unencrypted identity with EAP types that support different tunneled identity, EAP-PEAP and EAP-TTLS. The anonymous ID, if set, will be used for the initial (unencrypted) EAP Identity Request.

Identity

The 802.1x Username is the username needed for 802.1x authentication.

Password

The 802.1x Password is the password needed for 802.1x authentication.

EAP-MD5

On	The EAP-MD5 protocol is enabled
Off	The EAP-MD5 protocol is disabled

EAP_TTLS

On	The EAP_TTLS protocol is enabled
Off	The EAP_TTLS protocol is disabled

EAP-PEAP

On	The EAP_PEAP protocol is enabled
Off	The EAP_PEAP protocol is disabled

Note that 802.1x wireless LAN is not supported.

5.8.3 Network Profiles

This menu consists of 7 network profiles; a prefix and a suffix can be added for each profile. If you add a prefix/suffix to a profile, this prefix/suffix will automatically be added in front/back of the number being dialed.

Example:

0 is added as a Call Prefix to the 2nd profile, ISDN. If you enter 12345678 in the dial menu and select ISDN, the number dialed will be **012345678**.

0 is added as a Call Suffix to the 2nd profile, ISDN. If you enter 12345678 in the dial menu and select ISDN, the number dialed will be 12345678**0**.

Using the three last profiles you can enter the name of a profile, prefix/suffix and network selection. This is useful if you have a fixed prefix/suffix for your service provider.

5.8.4 Data Port

The system provides up to two standard RS232 serial ports to allow a computer to be connected for data transfer and control purposes. Note that when connecting to a PC the connecting cable must be a straight through RS232 cable.

Baud Rate, Parity, Data bits and Stop bits

If you wish to connect a PC to Data port 1, you must ensure that the PC and the system are identically configured. The available settings are:

Baud Rate	1200, 2400, 4800, 9600, 19200, 38400, 57600, 115200
Parity	None, Odd, Even
Data bits	7, 8
Stop bits	1, 2

The control interface provided by the data port supports a subset of the Hayes command set as well as a comprehensive set of system specific commands. It maintains communication with the data port's command interpreter at all times. All features available from the hand-held remote control can be accessed through the data port.

5.8.5 Restore Default Settings

Restore Default Settings will restore all system settings. Note that this will not affect your Call Directory information, Network Type, Line Setup numbers or your SPID numbers.

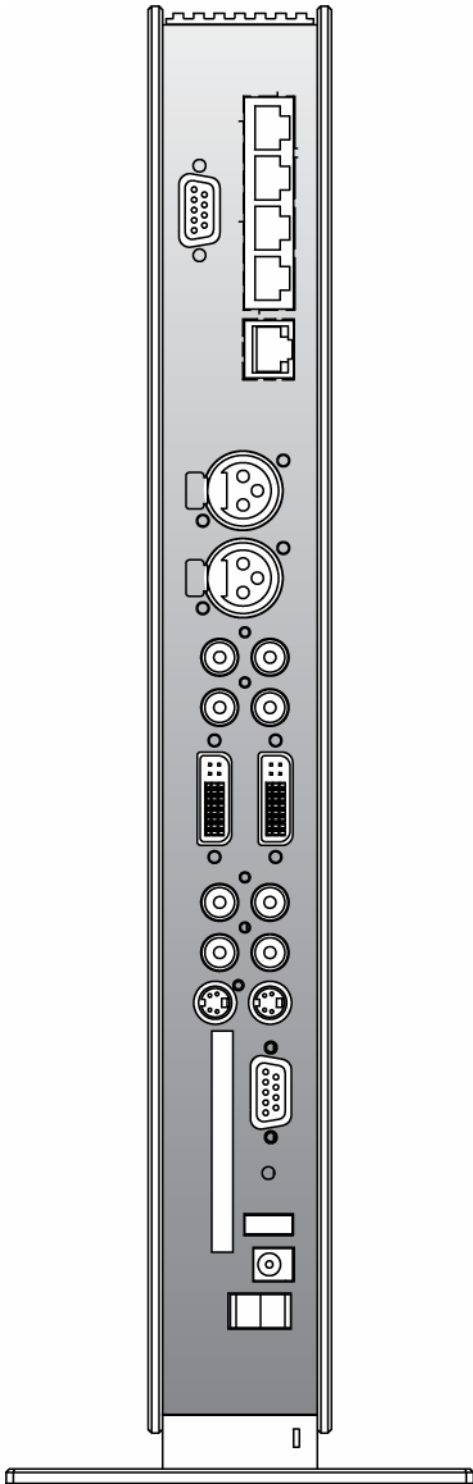
6 Peripheral Equipment

Using the optional peripheral devices outlined in this chapter and the many others available, you will be able to build your own applications for use with the system, thereby better integrating the system into your business environment. This chapter will explain how to connect peripheral equipment to your system. First of all however, we recommend you examine [Interfaces](#), with details on the available connectors on the back of the system Codec.

Peripheral Equipment contains:

- [Interfaces](#)
- [Document Camera](#)
- [VCR / DVD](#)
- [Additional Cameras](#)
- [Additional Microphones](#)
- [TANDBERG DNAM and Speakers](#)
- [Stereo Speaker Kit](#)
- [Telephone Add-On](#)
- [Dual Monitor](#)
- [XGA Monitors and Projectors](#)
- [VESA Display Power Management](#)
- [Digital Monitor Power Management](#)
- [Extended Display Identification](#)

6.1 Interfaces



6.1.1 Video

5 Video Inputs

- 1 9 Pin DSUB is used for connecting the TANDBERG Precision HD Camera.
- 1 video inputs supporting S-Video through Mini-DIN connectors.
- 2 video inputs supporting composite signals through RCA connectors.
- 1 VGA/DVI-I (DVI = Digital Video Interface, I = Integrated Digital & Analog) input, analog or digital.

Levels:

- Composite: 1 Vpp, 75 ohm
- S-Video (Y/C):
 - Y: 1 Vpp, 75 ohm
 - C (PAL): 0.3 Vpp, 75 ohm
 - C (NTSC): 0.28 Vpp, 75 ohm

The system will automatically adapt to a PAL or NTSC input.

VGA formats supported on 'DVI-I in':
SVGA (800x600) 60Hz, 72Hz, 75Hz, 85Hz
XGA (1024x768) 60 Hz, 70Hz, 75Hz
SXGA (1280x1024) 60Hz
HD720p (1280x720) 50,60 Hz

4 Video Outputs

- 1 S-Video output, Mini-DIN connector.
- 2 composite video outputs, RCA connectors.
- 1 VGA/DVI-I (DVI = Digital Video Interface, I = Integrated Digital & Analog) output, analog or digital.

The first Mini-DIN connector and the first RCA connector provide main video (incoming/outgoing video and menus).

The other connector provides selfview/still image/Duo Video. The outputs are always active.

The format of the output will be either PAL or NTSC depending on your country's standard video format

The VGA/DVI output provides either main monitor video or second monitor video depending on menu configuration..

Levels:

- Composite: 1 Vpp, 75 ohm
- S-Video (Y/C):
 - Y: 1 Vpp, 75 ohm
 - C (PAL): 0.3 Vpp, 75 ohm

- C (NTSC): 0.28 Vpp, 75 ohm

VGA formats supported on 'DVI-I out':
SVGA (800x600) 75Hz
XGA (1024x768) 60Hz
WXGA (1280x768) 60Hz
HD720p (1280x720) 50,60 Hz

DVI and specifications:

DVI stands for Digital Video Interface, and is a form of video interface technology made to maximize the quality of flat panel LCD monitors and high-end video graphics cards.

The TANDBERG codec contains a DVI-I plug that can transmit either digital DVI signals or standard analog VGA signals, depending on what type of monitor is connected.

DVI Specifications

TANDBERG DVI-I follows the VESA Monitor Timing Standard v1.08, also known as Display Monitor Timing (DMT).

Supported DVI cables:

TANDBERG supports DVI-D Single-Link, DVI-A and DVI-I Single-Link format cables.

DVI-D cables transmit digital T.M.D.S. signals, DVI-A cables transmit analog VGA signals and DVI-I cables can transmit either digital or analog signals.

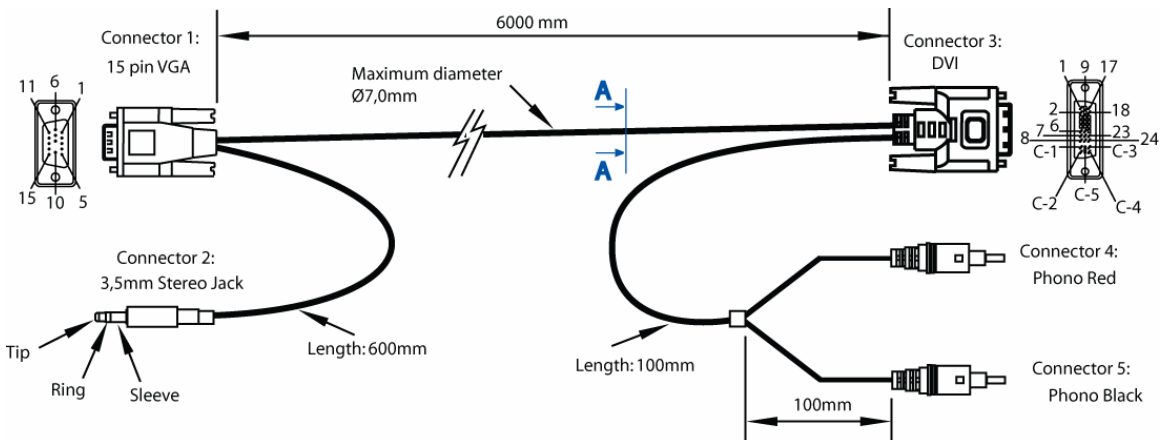
It is possible to extend existing DVI cables by the use of extension cables. The maximum cable length however, is 5 meters. Going beyond that may result in quality loss.

Pin	Signal Assignment	Pin	Signal Assignment	Pin	Signal Assignment
1	T.M.D.S. Data2-	9	T.M.D.S. Data1-	17	T.M.D.S. Data0-
2	T.M.D.S. Data2+	10	T.M.D.S. Data1+	18	T.M.D.S. Data0+
3	T.M.D.S. Data2/4 Shield	11	T.M.D.S. Data1/3 Shield	19	T.M.D.S. Data0/5 Shield
4	T.M.D.S. Data4-	12	T.M.D.S. Data3-	20	T.M.D.S. Data5-
5	T.M.D.S. Data4+	13	T.M.D.S. Data3+	21	T.M.D.S. Data5+
6	DDC Clock	14	+5V Power	22	T.M.D.S. Clock Shield
7	DDC Data	15	Ground (return for +5V, HSync and VSync)	23	T.M.D.S. Clock+
8	Analog Vertical Sync	16	Hot Plug Detect	24	T.M.D.S. Clock-
C1	Analog Red	C2	Analog Green	C3	Analog Blue
C4	Analog Horizontal Sync	C5	Analog Ground (analog, R, G & B return)		

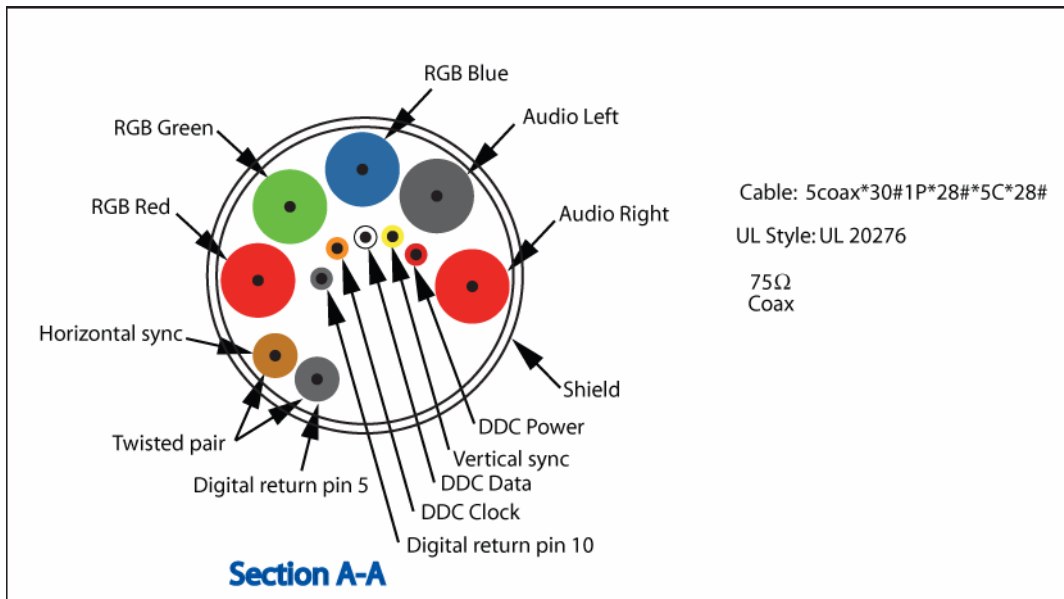
DVI-I - Combined Analog and Digital Connector Pin Assignments.

The TANDBERG Edge 75/85/95 MXP is shipped with a PC cable with integrated audio:

DVI-A Plug + 2*RCA Plug to VGA Plug + 3.5mm Stereo Plug, length 6m.



PC cable, VGA - DVI with integrated audio

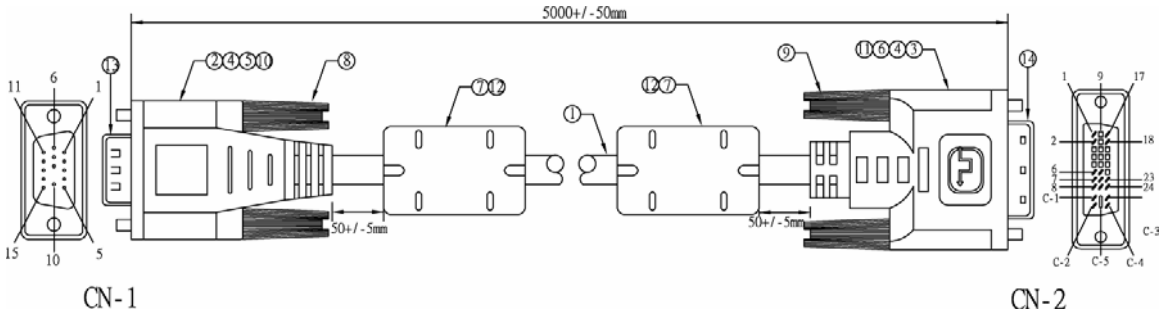


Signal name	CON. 3 Pin	CON. 1 Pin	CON. 5 Pin	CON. 2 Pin	CON. 4 Pin	Cable color
DDC Clock	6	15				Orange
DDC Data	7	12				White
Vertical Sync	8	14				Yellow
DDC Power (+5V)	14, 16	9				Red
Digital return	15	5, 10				Black
RGB Red	C1	1				Red Coax
RGB Green	C2	2				Green Coax
RGB Blue	C3	3				Blue Coax
Horizontal Sync	C4	13				Brown
RGB Return	C5	6, 7, 8				RGB Coax Shield
Outer Shield Ground	Shell	Shell				Outer Shield
Audio Left			Centre	Tip		Audio Black
Audio Right				Ring	Centre	Audio Red
Audio GND			Gnd	Sleeve	Gnd	Audio Shield

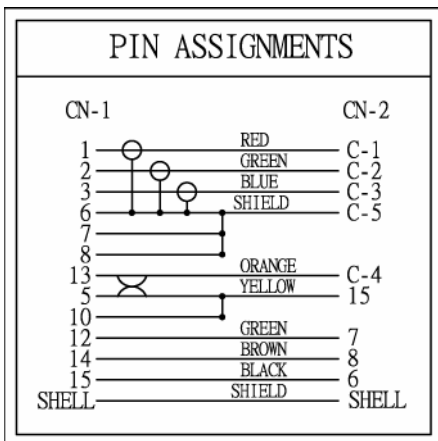
PC cable, VGA - DVI with integrated audio

VGA to DVI-A Cable Pinouts

VGA to DVI-A cable male-male 5m black, maximum length 5m.



No	Item	Description
1	Cable	UL20276 3Coax*30#+IP*28#+5C*28#+AEB Black OD:7.0mm L-5000mm
2	Connector	HDD 15P Male Black
3	Connector	HDD 17P Male Black
4	Tube	PE Tube Black OD:1.5*10 / 1.0*15 / 1.5*8 / 2.5*10 / 1.5*15 / 5.0*10 mm
5	Metal Can	HDD 15P Male OD:8.5mm
6	Metal Can	HDD 17P Male OD:8.5mm
7	Ferrite	RH 16*28.5*8.0mm
8	Screw	4-40UNC 4*47mm Molded PVC 30P Black
9	Screw	4-40UNC 4*47mm Molded PVC 30P Black
10	Molded	PVC Over mold 45P Black [A991826]
11	Molded	PVC Over mold 45P Black [A2K1188]
12	Molded	PVC Over mold 45P Black [A2K1017]
13	Dust Cover	HDD 15P Dust Cover PE Mold [A2T0225]
14	Dust Cover	DVI Dust Cover PE Mold [A2E1544]



6.1.2 Audio

4 Audio Inputs

- 2 microphone inputs (balanced, 24V phantom powered) via XLR connectors.
- 2 audio inputs (line level) via RCA connectors.

All audio inputs are active by default. For further information, refer to chapter [Audio](#).

Audio input connector specification:

Connector label	Microphone(s)	Audio input(s)
Signal type	Balanced	Unbalanced
Connector (codec)	XLR-F, pin 1-gnd, pin 2 hot, pin 3-cold/neutral	Female RCA/phono, sleeve-ground, centre-signal
Input impedance	2400 ohms (pin 2 - 3)	10K ohms
Max input level when set to minimum input level	83 mVpp	15.5 Vpp
Max input level when set to maximum input level	6.2 mVpp	1.2 Vpp
Range, menu adjustable input gain	22.5 dB (16 steps of 1.5 dB)	22.5 dB (16 steps of 1.5 dB)
Phantom power voltage	24 V +/- 5%	-
Phantom power resistor, pin 2	1200 ohms	-
Phantom power resistor, pin 3	1200 ohms	-
Max phantom power current pr mic	12 mA	-

2 Audio Outputs

- 1 output (line level) via RCA connector providing audio from far end in addition to dial tones. This output is used by the monitor. This output also supports S/PDIF.
- 1 VCR output (line level) via RCA connector providing a mixed signal between audio from the local side (except from the VCR input) and audio from the far end. This output is intended for connection to a VCR.

Audio output connector specification:

Connector label	Audio outputs
Signal type	Unbalanced
Connector (codec)	Female RCA/phono, sleeve-ground, centre-signal
Output impedance	680 ohms
Max output level when set to maximum output level and volume control set to max.	15.5 Vpp
Max output level when set to minimum output level and volume control set to max.	1.2 Vpp
Range, menu adjustable output gain	22.5 dB (16 steps of 1.5 dB)*
Volume control attenuation (audio out 1)	0 to 21 dB + mute (steps of 1.5 dB)

* Additional attenuation is possible on room/loudspeaker audio output using the volume control setting

6.1.3 Network

Ethernet:

Edge 75 MXP: 1 x Ethernet (RJ-45 Jack) LAN interface (10/100 Mb) up to 768kbps

Edge 85 MXP: 1 x Ethernet (RJ-45 Jack) LAN interface (10/100 Mb) up to 1.1 Mbps

Edge 95 MXP: 1 x Ethernet (RJ-45 Jack) LAN interface (10/100 Mb) up to 2.3 Mbps depending on the software option installed.

To connect the system to a LAN, use the Ethernet cable provided by TANDBERG (or a standard Ethernet cable).

The cable specification is:

```
1 ----- 1
2 ----- 2
3 ----- 3
6 ----- 6
```

If no LAN is available and the codec is connected directly to a computer, use a crossover cable.

The crossover cable specification is:



If such a connection is needed, the system and the PC must use 'static' TCP/IP settings because no DHCP server is controlling the small "LAN", which has been created between the computer and the system. When configuring a back-to-back connection between the PC and the system, make sure both static IP addresses exist on the same subnet.

ISDN BRI Interface:

ISDN I.420 (RJ-45 Jack) Basic Rate Interface S/T (2B+D), 128 kbps per ISDN I/F

To connect the system to BRI, use the ISDN cable provided by TANDBERG (or a standard BRI cable).

The pinout of the S/T interface is:

BRI	Pinout
Pin-3	TX+
Pin-4	RX+
Pin-5	RX-
Pin-6	TX-

6.1.4 Data port

The data port(s) are implemented as Data Communications Equipment (DCE). The connectors used are female 9-pin D-sub.

Signal name	Direction	Pin number
Carrier detect, CD	From DCE	1
Receive data, RXD	From DCE	2
Transmit data, TXD	To DCE	3
Data terminal ready, DTR	From DCE	4
Signal ground, GND		5
Data set ready, DSR	From DCE	6
Ready to send, RTS	To DCE	7
Clear to send, CTS	From DCE	8
Ring indicator, RI	From DCE	9

6.1.5 Camera Port

Camera Port

Pin-outs for the camera port when using the TANDBERG Precision HD Camera:

PRI	Pinout
Pin-8	+12V (presence 2.8mA current source when connected in daisy chain)
Pin-7	GND
Pin-6	TXD (out)
Pin-5	VIDEO LVDS -
Pin-4	VIDEO LVDS +
Pin-3	RXD (in)
Pin-2	GND
Pin-1	+ 12V

Camera Cable

The TANDBERG Edge 75/85/95 MXP system is shipped with a PC cable with integrated audio. See chapter: Interfaces – Video for more information about the camera cable.

NOTE! The enclosed TANDBERG Camera Cables must be used! Do not use other camera cables as this might cause problems with the transfer of video signals from the Precision HD Camera.

6.2 Document Camera

A document camera can be used for showing text, diagrams and a variety of graphical material as well as small three-dimensional objects.

How to use a document camera with your system:

1. Connect the document camera to the Doc Cam input, if available, on the system.
2. Open the Presentation menu from Menu and choose Doc Cam.
3. You can also program the Presentation key on the remote to activate document camera. See chapter [Presentation Key](#) for more information.

If you want to use S-Video from the document camera, you can connect the document camera to the AUX input on the system.



Note that this requires a system with an additional video input.

6.3 DVD / VCR

DVD/VCR Playback

Mono

For playback, connect a cable between Video Out on the VCR and Video In (VCR) on the system. Connect a cable between Audio Out on the VCR and the Audio In (VCR) on the system. Choose VCR from the Presentation menu to activate the VCR input.

Make sure that Audio In (VCR) is On (see chapter [Audio](#)). If audio from VCR is too low, this level can be adjusted in Audio Settings, Inputs and Level Settings. The audio from the VCR will be audible in the local speaker system.

The audio from the VCR and your microphone(s) will be mixed and sent to the far end. When a person talks on either local or far end, the VCR audio level will be reduced to make it easier to comment on a video recording when Audio Settings, VCR Ducking: On.

Stereo

For stereo playback, connect:

- Video cable between Video Out on the VCR and Video In (VCR) on the system
- Audio cable between Audio Out (L) on the VCR/DVD and the VCR L (Audio In 3)
- Audio cable between Audio Out (R) on the VCR/DVD and VCR R (Audio In 4)
- Choose the VCR video source (see chapter [Presentation menu](#)) to automatically activate the VCR audio and video input.

Make sure that:

- Stereo Input Mode is set to On (see chapter [Stereo Settings](#))
- 128 AAC-LD is enabled (see chapter [AAC-LD 128 kbps](#))
- AAC-LD is enabled (see chapter [Audio Algorithm](#))
- Audio In (VCR) is On (see chapter [Audio](#)). If audio from VCR is too low, this level can be adjusted in Audio Settings, Inputs, Level Settings. The audio from the VCR will be audible in the local speaker system.
- To enable VCR/DVD ducking (reduce volume when speaking), check that VCR Ducking under Audio Settings is set to On.

Note that the audio from the VCR/DVD and your microphone(s) will be mixed and sent to the far end. When a person talks on either local or far end, the VCR/DVD audio level will automatically be reduced to make it easier to comment on a video recording when Audio Settings, VCR Ducking: On.

VCR - Recording

When recording the VCR will record the video as it appears on the main monitor, the local audio and the audio from the far end.

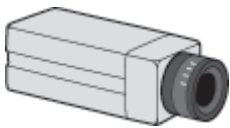
When recording a videoconference, connect a cable between Video Out 2 on the system and Video In on the VCR. Connect a cable between Audio Out 2 on the system and Audio In on the VCR.

Note that a system with one video output and one mixed (local and far end) audio output is required for recording. For playback, a system with one video input and one audio input without integrated echo cancellation is required.

6.4 Additional Cameras

Extra fixed Cameras

You can connect extra fixed cameras to your system, for example, a whiteboard camera. Connect the video output of the additional camera to one of the available Video inputs on the system.



Note that additional controllable cameras are only available for some roll-about systems. Set-tops and personal systems may be able to connect additional cameras.

6.5 Additional Microphones

If your environment is such that you require more than one microphone for your room, e.g. you have a whiteboard at a distance from your table microphone, it is possible to connect additional microphones to your system. See [Appendix 4](#) for more information.

Note that this requires a system with more than one XLR input.

You can connect two microphones to your system. The connectors are marked Mic1, Mic2. The connected microphones will by default be mixed.

When more than one microphone is connected, you have the option to use the Voice Activate Camera Tracking feature.

6.6 Stereo Speaker Kit

Note that the following applies only for systems with a stereo S/PDIF output.

The Stereo Speaker Kit provides a pair of floor-standing loudspeakers in addition to the built-in [DNAM](#). Using these speakers will enable stereo functionality in your system and thereby enhance the sound experience.

To experience stereo sound, the stereo speakers have to be connected to the Digital Natural Audio Module (DNAM) as well as confirming this under Stereo Settings in the main audio menu. The stereo sound source may either be located at the far end, or locally as a sound source (CD, DVD) connected to the codec audio AUX/VCR inputs. If using a local stereo sound source, you also have to enable Stereo I/O mode (On) in the same audio menu, to be able to receive stereo sound on your system, and to send stereo signals to the far end. See chapter 4.5.4 for more information.

Check also that the full-range frequency audio coding AAC-LD is enabled (In Call Quality menu, AAC-LD is checked, and AAC-LD 128 threshold is the same or lower than the call rate you are planning to use). See chapter [Audio Algorithm](#) and [AAC-LD 128kbps](#) for more information.

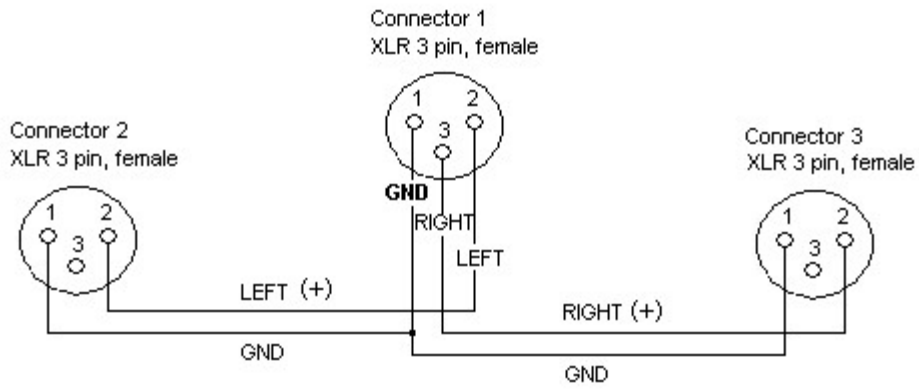
An installation sheet is enclosed in the Stereo Loudspeaker Kit, which also describes recommended physical speaker placement. Make sure the complete video system is powered down before connecting the Stereo Speaker Kit.

Note that if stereo speakers are enabled in the menu without having any stereo speakers connected to the Digital NAM, or having other speakers than the TANDBERG stereo speakers, it may cause the acoustic echo-canceller to malfunction.

Stereo Speaker Kit specification:

- 2-way Stereo Speaker system (dual speakers in low- and midrange)
- Passive Crossover Filtering.
- Frequency range 50Hz - 20kHz
- 2 x 130mm low- and midrange loudspeakers, 8 ohms nominal, high quality.
- 1 x 25mm dome tweeter, 6 ohms nominal, high quality
- Long time max power 90 Watt on all loudspeakers
- Enclosed aluminum speaker cabinet

DNAM Stereo Output Cable (from Stereo Speaker Kit)



6.7 Telephone Add-On

The system has a built in audio bridge* that can bring in Voice over IP (VoIP) telephony or normal telephone sites using ISDN.

Note that this requires a system with mixed audio output (audio from local and far end) and one audio input without integrated echo cancelling.

In addition to using ISDN and IP for your telephone sites, it is possible to connect a telephone using normal POTS line** by

- Connect the audio out from the conference telephone to the AUX input.
- Connect the audio input from the conference telephone to the AUX output, which provides a mixed signal between local and far end.

*optional MultiSite package available

** require a conference phone with external audio input and output

6.8 Dual Monitor

Note that this requires a system with dual monitor video output.

It is possible to install the system in a Dual Monitor configuration. The Dual Monitor can be used to show full screen selfview, still images and Duo Video.

To use the system in the Dual Monitor configuration:

1. Connect "Video Out 3" (composite video output) on the system to a video input on the dual monitor.
2. Set "Dual Monitor: On" in General Settings menu.

Alternatively you can use a PC monitor as your second monitor:

1. Connect "DVI-I out" on the system to your PC monitor.

6.9 XGA Monitors and Projectors

(Optional)

Some TANDBERG systems can be delivered with optional single or dual TV/XGA monitors. It can also be connected to any DVI/VGA/PAL or NTSC display.

Note that this requires a system with minimum one DVI-I output.

6.10 VESA Display Power Management

Because of the tremendous amount of energy consumed by monitors when operating, the system will reduce power consumption and extend monitor lifecycle by suspending the (switch off) monitors and projectors when the system goes into sleep/standby.

This applies for all VESA Display Power Management compliant displays that are connected to the VGA/DVI output of the system. The display device need to comply with VESA display Power Management system (DPMS).

Note that this requires a system supplied with a VGA/DVI output.

The VESA DPMS standard consists of four modes, Normal, Standby, Suspend and Off, and applies to all Sync formats (e.g. VGA).

DPMS standard:

	Normal	Standby	Suspend	Off
H-sync	On	Off	On	Off
V-sync	On	On	Off	Off
Power savings	None	Minimal	Substantial	Maximum
Recovery time	None	2-3 seconds	2-3 seconds	8-10 seconds

In Off mode some power may still be drawn in order to power indicator lights etc. EDID contains the information on which mode a specific monitor supports.

TANDBERG supports all four modes. However, in F1 and above, all monitors not listed below are automatically set to Off.

Monitor	DPMS mode
Dell	Off
T8000 - Pioneer	Suspend
T6000 - SAMPO	Suspend
Maestro - Projection Design	Off
T7000 - Sharp	Off

6.11 Digital Monitor Power Management

DMPM is monitor power management applied over the digital DVI interface. TANDBERG supports DMPM in software F2 and above. Six monitor power states are defined.

Monitor On Power state

Transmitter (TANDBERG codec) and receiver (Monitor) are powered and active. This power state is equivalent with the DPMS normal mode.

Intermediate Power state

When the codec goes from active to standby, it turns off the DVI transmitter and the monitor can go from Monitor On

Power state to Intermediate Power state

Active-off Power state

The monitor can go from Intermediate Power state to Active-off Power state when the monitor timer expires.

Non-Link Recoverable Off Power State

The monitor can enter Non-Link Recoverable Off Power State when the codec is switched off or if the DVI cable is disconnected. This power state is equivalent to the DPMS "Off (with no DPMS recovery)" state.

Monitor Power Switch Off Power state

This state can be entered when the power switch on the monitor is toggled to its off position. This state has two sub-states dependent on if the codec is switched on or off.

6.12 Extended Display Identification Data (EDID)

Extended Display Identification Data (EDID) is a VESA standard data format that will allow the system to communicate its capabilities, including vendor information like the supported VGA-formats and frequency range limits to a PC connected to the XGA/DVI input.

Note that this requires a system supplied with a XGA/DVI input.

This means that the PC always* will be able to output a valid VGA/DVI signal to the system with no manual reconfiguration of the PC screen settings.

TANDBERG supports EDID structure v1.3, which adheres to the MS Plug & Play definition.

This standard contains information on product ID, basic display parameters, timing identifications and detailed timing descriptions.

In F1 and above, TANDBERG will use the EDID information to decide which resolution to use, 800x600 @ 75Hz or 1024x768 @ 60Hz.

Example (1024x768 @60Hz)

Detailed timing description:

PixelClockDiv10000:	6500
Horizontal Active:	1024
Horizontal Blanking:	320
Vertical Active:	768
Vertical Blanking:	38
Horizontal Sync Offset:	24
Horizontal Sync Pulse Width:	136
Vertical Sync Offset:	3
Vertical Sync Pulse Width:	6
Horizontal Image Size:	Not available
Vertical Image Size:	Not available
Horizontal Border:	0
Vertical Border:	0

Tested and verified monitors, EDID & Timing

Listed below are some of the monitors TANDBERG have tested and verified against:

ADI A715
Dell W1700
Dell W1900
EIZO L367
EIZO F730
ErgoScan 400S
Hitachi CM640ET
Hitachi CM769ET
IBM 9494-HBO
IBM G97
IBM E74
IBM 6743-60N
JVC LT-23X475
JVC LT-23C50BU
JVC LT-23X576
LG L3200A
LG M3200C
Löewe TAA112747
MAG D700
MAG DJ707
Panasonic SL75
Pioneer PDP-50MXE10
Pioneer PDP-42MXE10-S
Pioneer PDP-43MXE1-S
Pioneer PDP-50MXE11
Samsung 191T
Samsung 323T

*Need to comply with the VESA EDID standard.

7 Appendices

Appendices:

- [Appendix 1: Technical Specification](#)
- [Appendix 2: Bandwidth Information](#)
- [Appendix 3: Environmental considerations](#)
- [Appendix 4: Guidelines for setting up rooms for video meetings](#)
- [Appendix 5: Security](#)
- [Appendix 6: Using the file system](#)
- [Appendix 7: Web Interface](#)
- [Appendix 8: Connecting the system to PRI/T1](#)
- [Appendix 9: Connecting the system to the Switched 56 network](#)
- [Appendix 10: Connecting the system to ISDN using NT1 network adapters](#)
- [Appendix 11: TANDBERG Cameras](#)
- [Appendix 12: Remote control](#)
- [Appendix 13: Cisco CallManager registration](#)
- [Appendix 14: Diagnostic Tools for IP](#)
- [Appendix 15: System Upgrade](#)
- [Appendix 16: Declaration of Conformity](#)
- [Appendix 17: Dimensions](#)
- [Appendix 18: Protocols Supported](#)
- [Appendix 19: Cable Specifications](#)

Appendix 1: Technical Specifications

Technical Specification

UNIT DELIVERED COMPLETE WITH:

Wireless remote control, TANDBERG Precision HD Camera, HD Unit with foot stand, microphone, and cables

BANDWIDTH

95 MXP:

H.320 up to 512 kbps

H.323 & SIP up to 2 Mbps

85 MXP:

H.320 up to 384 kbps

H.323 & SIP up to 1.1 Mbps

75 MXP:

H.320 up to 128 kbps

H.323 & SIP up to 768 kbps

FIREWALL TRAVERSAL

TANDBERG Expressway™ Technology

Auto NAT

H.460.18, H.460.19 Firewall Traversal

VIDEO STANDARDS

H.261, H.263, H.263+, H.263++ (Natural Video), H.264

VIDEO FEATURES

Native 16:9 Widescreen

Advanced Screen Layouts

Picture in Picture (PIP)

Picture outside Picture & Large POP

Side by Side

PC Zoom

Intelligent Video Management

Simultaneous videoconference & local PC mode

Local Auto Layout

VIDEO INPUTS (5 INPUTS)

1 x 9 Pin DSUB: HD Main Camera

1 x MiniDin, S-video: auxiliary/document camera

1 x RCA/Phono, composite: document camera/aux

1 x RCA/Phono, composite: VCR

1 x DVI-I: PC

Input: 800 x 600 (@ 60,72,75,85 Hz), 1024 x 768 (@

60,70,75 Hz), 1280 x 720 (HD720P) (@ 50, 60 Hz),

1280 x 1024 @ 60 Hz

Extended Display Identification Data (EDID)

VIDEO OUTPUTS (4 OUTPUTS)

1 x MiniDin, S-video: main monitor

1 x RCA/Phono, composite: main monitor or VCR

1 x RCA/Phono, composite: dual monitor or VCR

1xDVI-1/XGA: main or second monitor

XGA Output

800 x 600 @ 75 Hz, 1024 x 768 @ 60 Hz, 1280 x 768

(WXGA) @ 60 Hz, 1280 x 720 (HD720p) @ 60 Hz

VESA Monitor Power Management

IP NETWORK FEATURES

IEEE 802.1x/EAP Network Authentication

H.235 Gatekeeper Authentication

DNS lookup for service configuration

Differentiated Services (DiffServ)

Resource Reservation Protocol (RSVP)

IP precedence

IP type of service (ToS)

IP adaptive bandwidth management (including flow control)

Auto gatekeeper discovery

Dynamic playout and lip-sync buffering

Intelligent Packet Loss Recovery (IPLR)

H.245 DTMF tones in H.323

Cisco CallManager integration using ECS

IP Address Conflict Warning

Date and Time support via NTP

Call Services

IPv6 NETWORK SUPPORT

Dual Stack IPv4 and IPv6 simultaneous support

Net service support on IPv6: Telnet, SSH, HTTP,

HTTPS, ftp, SNMP, DNS, NTP, DHCP*

Media support on IPv6: H.323, SIP, Streaming

SECURITY FEATURES

Management via HTTPS and SSH

IP Administration Password

Menu Administration Password

Dialing Access code

Streaming password

H.243 MCU Password

VNC password

SNMP security alerts

Disable IP services

MD-5 Challenge

Network Settings protection

SIP Authentication via NTLM

SIP Authentication via Digest

NETWORK INTERFACES

4 x ISDN BRI (RJ-45), S-interface

1 x LAN/Ethernet (RJ-45) 10/100 Mbit (LAN/DSL/cable modem)

1 x PC card slot (PCMCIA) for wireless LAN

1 x X.21/V.35/RS-449 with RS-366 dialing, RS-366

Adtran IMUX, Leased Line, Data Triggered, and

Manual**

1 x USB for future usage

WIRELESS LAN SUPPORT

Compliant with IEEE 802.11b, up to 11 Mbit

Support for 64/128 bit encryption (WEP)

Infrastructure or ad-hoc mode

VIDEO FORMAT

NTSC, PAL, VGA, SVGA, XGA, W-XGA, SXGA and HD720p

LIVE VIDEO RESOLUTIONS

NATIVE NTSC:

400p (528 x 400 pixels)
4SIF (704 x 480 pixels), Digital Clarity
Interlaced SIF (iSIF 352 x 480 pixels), Natural Video
SIF (352 x 240 pixels)

NATIVE PAL:

448p (576 x 448 pixels)
4CIF (704 x 576 pixels), Digital Clarity
Interlaced CIF (iCIF 352 x 576 pixels), Natural Video
CIF (352 x 288 pixels)

QCIF (176 x 144 pixels)

SQCIF (128 x 96 pixels) decode only

NATIVE PC RESOLUTIONS:

XGA (1024 x 768)
SVGA (800 x 600 pixels)

VGA (640 x 480 pixels)

WIDE RESOLUTIONS:

w288p (512 x 288 pixels)
w448p (768 x 448 pixels)
w576p (1024 x 576 pixels)
w720p (1280 x 720 pixels)

STILL IMAGE TRANSFER

CIF, SIF, 4CIF (H.261 Annex D), 4SIF, VGA, SVGA, XGA

AUDIO STANDARDS

G.711, G.722, G.722.1, G.728, 64 bit & 128 bit
MPEG4AAC-LD

AUDIO FEATURES

CD-Quality 20KHz Mono and Stereo
Telephone add-on via MultiSite
Two separate acoustic echo cancellers
Audio mixer
Automatic Gain Control (AGC)
Automatic Noise Reduction
Audio level meters
VCR ducking
Optional Stereo Package
Packet loss management
Active lip synchronization
GSM/Blackberry interference audio feature

AUDIO INPUTS (4 INPUTS)

2 x microphone, 24V phantom powered, XLR connector
1 x RCA/Phono, Line Level: auxiliary (or VCR Stereo L)
1 x RCA/Phono, Line Level: VCR/DVD (Stereo R)

AUDIO OUTPUTS (2 OUTPUTS)

1 x RCA/Phono, S/PDIF (mono/stereo) or Analogue Line
Level: main audio or Analogue Stereo L
1 x RCA/Phono, Line Level: VCR or Analogue Stereo R

FRAME RATES

30 frames per second @ 168 kbps and above
60 fields per second @ 336 kbps and above (Point-to-point)

DUAL STREAM

DuoVideo
H.239 Dual Stream
Available on H.323 & H.320

ETHERNET/INTERNET/INTRANET CONNECTIVITY

TCP/IP, DHCP, ARP, FTP, Telnet, SSH, HTTP, HTTPS,
SOAP and XML, MD-5 Challenge
SNMP Enterprise Management
Internal web server
Internal streaming server

OTHER MAJOR STANDARDS SUPPORTED

H.231, H.233, H.234, H.235 v2&v3, H.239, H.241,
H.243, H.281, BONDING (ISO 13871), H.320, H.323,
H.331
RFC 3261, RFC 2237, RFC 3264, RC 3311, RFC 3550,
RFC 2032, RFC 2190, RFC 2429, RFC 3407

PRECISION HD CAMERA

7 x zoom 1/3" CMOS +10°/-20° tilt +/- 90° pan
42° vertical field of view
72° total vertical field of view
70° horizontal field of view
250° total horizontal field of view
Focus distance 0.3m - infinity
1280 x 720 pixels progressive @ 30fps
Automatic or manual focus/brightness/white balance
Far-end camera control
15 near and far-end camera presets
Voice-activated camera positioning
Daisy-chain support (Visca protocol camera)

CLOSED CAPTIONING/TEXT CHAT

T.140 text chat available from Telnet, SSH, Web and
User Interface

PRESENTATIONS AND COLLABORATION

Natural Presenter Package including:
PC Presenter (DVI-I, SXGA In)
PC *Soft*Presenter
Digital Clarity & Native Formats
Advanced Video Layouts
Streaming compatible with Cisco IP/TV, Apple
QuickTime®, RealPlayer® v8 etc.

SYSTEM MANAGEMENT

Support for the TANDBERG Management Suite
Total management via embedded web server, SNMP,
Telnet, SSH, FTP and SOAP
Remote software upload: via web server, ftp server or
ISDN
1 x RS-232 local control and diagnostics
Remote control and on-screen menu system
External Services from TMS

DIRECTORY SERVICES

Support for Local directories (My Contacts),
Corporate Directory and Global Directory
Unlimited entries using Server directory* supporting
LDAP and H.350
Unlimited number for Corporate directory (through TMS)
400 number global directory
200 number local directory
16 dedicated MultiSite entries
Received Calls with Date and Time
Directories in Local Languages
Placed Calls with Date and Time
Missed Calls with Date and Time

16 SELECTABLE MENU LANGUAGES

Arabic, Simplified Chinese, Traditional Chinese, English,
French, German, Italian, Japanese, Korean, Norwegian,
Portuguese, Russian, Spanish, Suomi, Swedish and

Available in MultiSite from any site (95 & 85 MXP only)
Dynamic bandwidth adjustment (H.323)

NETWORK FEATURES

Auto H.320/H.323 dialing
SIP
Downspeeding
Programmable network profiles
Intelligent Call Management
Maximum call length timer
Automatic SPID and line number configuration (National ISDN, GR-2941-CORE)
SoftMux
H.331 Broadcast Mode
NATO standard KG194/KIV-7 encryptor support**
URI Dialing

MULTISITE FEATURES (95 & 85 MXP ONLY)

H.323/H.320/SIP/Telephony/VoIP in the same conference
Audio and Video Transcoding
Video rate matching from 56 kbps - maximum conference rate
CP4 and Voice Switched
Best Impression (Automatic CP Layouts)
H.264, Encryption, Digital Clarity
Dual Stream from any site
ISDN & IP Downspeeding and IPLR
MultiSite (H.243) Cascading on H.320 & H.323
Unicode H.243 Terminal Names
Dial in/Dial out
Chair control for host system
Snapshot of ongoing conference (JPEG)
Snapshot of ongoing DuoVideo/H.239 presentation (JPEG)
Separate welcome page for encrypted conferences
Conference rates up to 2.3 Mbps with optional bandwidth upgrade (1.5 Mbps is standard conference rate)
Up to 4 video and 3 audio sites
4 sites @ 768 kbps (+telephone calls)
Mix ISDN-BRI and IP up to maximum conference rate

EMBEDDED ENCRYPTION

H.320 and H.323 point-to-point and multipoint calls
Standards-based: H.233, H.234, H.235 v2&v3, DES and AES
NIST-validated AES
NIST-validated DES
Automatic key generation and exchange
Supported in Dual Stream & MultiSite

Thai Chinese, Korean and Japanese Input Method Editor
Import Custom Language through TMS

CUSTOMIZED WELCOME SCREEN AND COMPANY LOGO

Picture JPEG (logo.jpg): Recommended maximum size is 704x576 for Welcome Screen and 352x288 for Encryption Required Screen.

POWER

Auto-sensing power supply
100 – 250 VAC, 50 – 60 Hz
40 watts max.

OPERATING TEMPERATURE AND HUMIDITY

0° C to 35° C (32° F to 95° F) ambient temperature
10% to 90% Relative Humidity (RH)

STORAGE AND TRANSPORT TEMPERATURE

-20° C to 60° C (-4° F to 140° F) at RH 10-90% (non-condensing)

APPROVALS

Directive 73/23/EEC (Low Voltage Directive)
- Standard EN 60950
Directive 89/336/EEC (EMC Directive)
- Standard EN 55022, Class B
- Standard EN 55024
- Standard EN 61000-3-2/-3-3
Directive 1999/5/EEC (R&TTE Directive)
- Standard TBR3
Approved according to UL 60950 and CAN/CSA C22.2 No.60950
Complies with FCC15B Class B

UNIT DIMENSIONS

Height: 16.9"/42.9cm
Width (including foot stand): 5.7"/14.5cm
Depth (including foot stand): 9.0"/22.8cm
Weight: 7.7 lbs/3.5 kg

PRECISION HD CAMERA DIMENSIONS

Height: 5.4" / 13.7cm
Width: 8.7" / 22.2cm
Depth: 5.7" / 14.5cm
Weight: 2.9lbs / 1.3kg

PRODUCT RELIABILITY / MTBF

The predicted reliability is expressed in the expected random Mean Time Between Failures (MTBF) for the electronic components based on the Power On Hours:
Power On Hours (POH) > 69 000 hours
Useful Life Cycle > 6 years
ISO 9001 certificate is available upon request

* Requires TANDBERG Management Suite 9.0 or newer

** Optional equipment, must be specified at the time of order.

System features vary depending on network selection and software package. All specifications are subject to change without notice. TANDBERG is a registered trademark or trademark of TANDBERG in the U.S. and other countries. RealPlayer is a trademark or a registered trademark of RealNetworks, Inc. QuickTime is a registered trademark of Apple

TANDBERG Edge 75/85/95 MXP

Computer, Inc., registered in the U.S. and other countries. Microsoft and NetMeeting are either registered trademarks or trademarks of Microsoft Corporation in the United States and/or other countries. All other trademarks are property of their respective owners. Contains iType™ from Agfa Monotype Corporation

Service availability may vary from region to region. Please contact your TANDBERG reseller for more information.

Appendix 2: Bandwidth Information for TANDBERG Endpoints

Bandwidth Information for TANDBERG Endpoints

Model	8000MXP, 7000MXP	6000MXP, Maestro
Bandwidth Point to point ISDN / IP	Standard: 768 / 3072 Option: 1920 / 4096	Standard: 768 / 3072 Option: 1920 / 4096
MultiSite	Total: 3072kbps 4x768 video + 4 audio 3x1536 video + no audio Total: 6144kbps 6x1152 video + 5 audio 5x1536 video + no audio 4x1920 video + 5 audio 3x3072 video + no audio	Total: 3072kbps 4x768 video + 4 audio 3x1536 video + no audio Total: 6144kbps 6x1152 video + 5 audio 5x1536 video + no audio 4x1920 video + 5 audio 3x3072 video + no audio
Rate Matching	Yes	Yes
Dual Stream (DuoVideo / H.239)	Yes	Yes
Secure Conference	All bandwidths	All bandwidths
H.264	Up to 2Mbps	Up to 2Mbps
Picture Mode MultiSite	VS, CP4, CP5+1	VS, CP4, CP5+1

Model	3000MXP / 3000NET MXP	2000MXP, 1500MXP
Bandwidth Point to point ISDN / IP	Standard: 384 / 1536 Option: 512 / 1920 3000NET: 384 / 1536	Standard: 1920 (IP only) Options: 512 / 1920
MultiSite	Total: 1536kbps 4x512 video + no audio 4x384 video + 3 audio Total: 2304kbps 4x768 video + no audio 4x512 video + 3 audio	Total: 2304kbps 4x768 video + no audio 4x512 video + 3 audio
Rate Matching	Yes	Yes
Dual Stream (DuoVideo / H.239)	Yes	Yes
Secure Conference	All bandwidths	All bandwidths

TANDBERG Edge 75/85/95 MXP

H.264	Up to 2Mbps	Up to 2Mbps
Picture Mode MultiSite	VS, CP4, CP5+1	VS, CP4, CP5+1

Model	990MXP / 990NET MXP	880MXP / 880NET MXP
Bandwidth Point to point ISDN / IP	Standard: 1920 (IP only) Options: 512 / 1920 990NET: 768 / 1920	Standard: 1152 (IP only) Option: 384 / 1152
MultiSite	Total: 2304kbps 4x768 video + no audio 4x512 video + 3 audio	Total: 1152kbps 4x384 video + no audio 4x320 video + 3 audio
Rate Matching	Yes	Yes
Dual Stream (DuoVideo / H.239)	Yes	Yes
Secure Conference	All bandwidths	All bandwidths
H.264	Up to 2Mbps	Up to 768
Picture Mode MultiSite	VS, CP4, CP5+1	VS, CP4, CP5+1

Model	770MXP	1000MXP
Bandwidth Point to point ISDN / IP	Standard: 768 (IP only) Option: 128 / 768	Standard: 768 (IP only) Options: 128 / 768, 384 / 768
MultiSite	Not Available	Not Available
Rate Matching	Not Available	Not Available
Dual Stream (DuoVideo / H.239)	Yes	Yes
Secure Conference	All bandwidths	All bandwidths
H.264	Up to 768	Up to 768
Picture Mode MultiSite	Not Available	Not Available

Model	550MXP
Bandwidth Point to point ISDN / IP	Standard: 768 (IP only) Options: 128 / 768, 384 / 768
MultiSite	Not Available
Rate Matching	Not Available
Dual Stream (DuoVideo / H.239)	Not Available
Secure Conference	All bandwidths
H.264	Up to 768
Picture Mode MultiSite	Not Available

Appendix 3: Environmental Considerations

Environmental considerations

This section explains how to carry out basic adjustments and simple tests to ensure that you send and receive the best possible image and audio quality when using your system.

Iris control and lighting

By default the system camera will use an automatic iris to compensate for changes in lighting. In addition to this feature, you may further assist the system to maintain the best possible image quality by paying special attention to environmental lighting and background colors as described below. Remember the system will send live images of yourself *and* your immediate surroundings.

- Avoid direct sunlight on the subject matter i.e. yourself, the background or onto the camera lens as this will create harsh contrasts.
- If light levels are too low you may need to consider using artificial lighting. As described above, direct illumination of the subject matter and camera lens should be avoided.
- When using artificial lighting, daylight type lamps will produce the most effective results. Avoid colored lighting.
- Indirect light from shaded sources or reflected light from pale walls often produces excellent results.
- Avoid harsh side lighting or strong light from above. Strong sunlight from a window or skylight may put part or all of the subject matter in shadow or cause silhouetting.
- If you still have problems with the iris and lighting, manual adjustment of the camera parameters might help – see Video Settings menu.
- Dim scenes can also be improved by manually adjusting the camera brightness setting.

Background

The appearance of the picture background is very important but easily overlooked. It is important to remember that the camera also shows what is behind you when in a videoconference. To ensure a suitable background we recommend you consider the following:

- Use a neutrally colored background with a medium contrast and a soft texture, e.g. a plain curtain with no heavy patterns or strong colors that may adversely tint the whole scene.
- Avoid moving backgrounds such as curtains blowing in a draught, moving objects, or people walking behind as this may both reduce image quality and distract the attention of the calling party.
- Do not place the camera facing a doorway.

Loudspeaker volume

The audio system will use the Digital Natural Audio Module (DNAM) if available and supported by the system. The volume of the audio system is controlled by the Volume Control keys on the system remote control.

Appendix 4: Guidelines for Setting up Rooms for Video Meetings

Guidelines for setting up rooms for video meetings

The following are a set of guidelines to consider when either building a videoconferencing room, or using an existing room for videoconferencing.

Lighting:

- Low Contrast desired for light intensity. No dark spots.
- Intensity @ table 800 - 1400 Lux as measured with an Incident light meter.
- Block sunlight from entering room.

Seating Area (Table):

- Should allow all participants to see Monitors.
- Should allow camera to “see” all participants.
- Non-shiny non-patterned preferably light grey surface (if table used).

Walls:

- Color: Generally high contrast color desired. Light blue is commonly used.
- Acoustically reflective surfaces (such as glass or concrete) should be covered with curtains or sound treatment.

Audio:

- Noise Floor preferred less than 44dBC.
- Reverb Time 0,3 to 0,5 sec.

Ventilation:

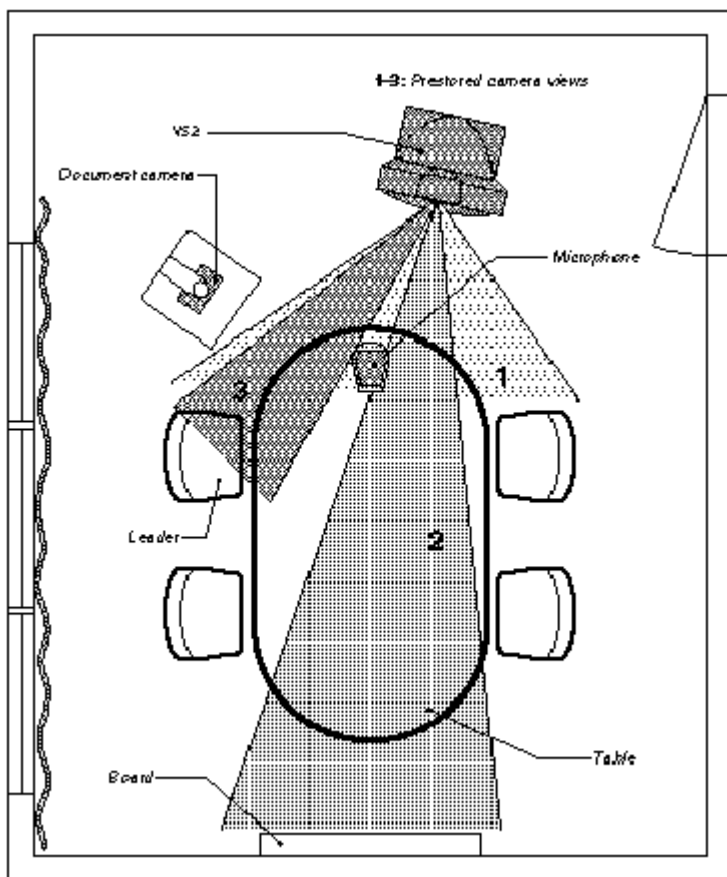
- Keep in mind Noise Floor.
- Velocity = Noise. Therefore keep velocity of air low.

Room:

- Should be located away from noise.
- Should not have windows.
- Doors should be located off camera.

How to prepare a typical room for video meeting:

The illustration below shows the principles of a typical room designed to obtain the best results when using a videoconference system.



If the system has a separate microphone, it should be placed at the front of the table to ensure that all speech will be detected. The best position for the microphone is at least 2 meters (6.5 feet) in front of the system on a plain, flat table with at least 0.3 meters (12 inches) of table in front of the microphone.

The document camera should be close to the chair person or a designated controller of the document camera for ease of use (remember to arrange all the peripherals so that one participant can reach each of them to point, change the display, tape, and so forth).

The camera supports up to 15 pre-stored camera positions.

The illustration shows three possible camera positions; one for all the participants, one for the whiteboard and one for the main speaker. The remaining camera presets are then available for other peripheral equipment, for example a VCR.

Position the system in such a way as to avoid the possibility of somebody inadvertently walking into the camera's field of view when entering the room. Other than the conference participants, there should be no moving items in the sent image.

Appendix 5: Security

Security

The system has several features both to protect from unauthorized use and system access:

Access Code:

When Access Code is enabled, the user will be asked to enter an access code before he/she is able to make a call. The system will verify if the entered access code is valid by checking the code with the allowed codes listed in the access.txt file on the ftp-server in the system. If no access.txt file is uploaded to the system, registration of the code will be done without validation. E.g. you can enter whatever code you want and have access to the system.

The access.txt file is a plain text file with one line per access code as shown below:

```
1234
1250
A1
B2
ABC
```

To upload this file to the system, follow these steps:

- Open a DOS-window and go to the folder where the 'access.txt' file is located.
- Type ftp <IP-address of your local system>.
- User: press Enter or enter IP-password.
- Type "bin" and press Enter.
- Go to the user folder, type "cd user".
- Upload the 'access.txt' file, type 'put access.txt'.
- Exit from ftp, type "bye".

Administrator Password

Access to the administrator menu on the system unit can be controlled using password protection. You can set the Administrator Password in Menu Settings, in Security or from the dataport:

menupassword set <pin-code>. The pin-code should be maximum 5 - five digits. To erase the password, enter an empty pin-code.

Streaming password

By setting a streaming password in the streaming menu on the system, a password has to be entered on the streaming client to be able to see the video stream from the system.

IP Password

By setting an IP Access Password on the system, all access to the system using IP (Telnet, FTP and WEB) requires a password. This password can be enabled from telnet or dataport using the command: `ippassword <ip-password>`. The default IP username and password is "TANDBERG". To remove this password, use the command: `"ippassword "`. From telnet, this is only possible by first entering the correct password.

IP Services

The different IP services on the system - FTP, Telnet, Telnet Challenge, HTTP, HTTPS, SNMP and H.323 can be disabled to prevent access to the system. By using the commands below, the services can be independently enabled/disabled:

```
xconfiguration Telnet/TelnetChallenge/FTP/HTTP/HTTPS/H323 Mode: <On/Off>
xconfiguration TelnetChallenge Mode: <On/Off> [port]
xconfiguration SNMP Mode: <On/Off/ReadOnly/TrapsOnly>
```

SNMP Security alert

This function will notify any Management Application (such as TMS - TANDBERG Management Suite) if anyone tries to perform Remote Management on the system using an illegal password. The Security alert that is sent to the Management Application will contain information about the IP address and the service (WEB, Telnet, FTP) being used for the attempt. If TMS is used, email notifications or alarms about the attempt can be sent to specified persons.

Encryption

All TANDBERG systems support both AES and DES encryption. By default this feature is enabled such that when connecting with any other video system or MCU, a TANDBERG system will attempt to establish a secure conference using AES or DES encryption. The TANDBERG system will attempt this for both IP and ISDN connections. Where a remote system or MCU supports encryption, the highest common encryption algorithm will be selected on a port-by-port basis.

The type and status of the encryption negotiated is indicated by padlock symbols and on-screen messages. Encryption on the TANDBERG systems is fully automatic, and provides clear security status indicators;

- An open padlock indicates that encryption is being initialized, but the conference is not yet encrypted.
- Single padlock indicates DES encryption.
- Double padlock indicates AES encryption.

In addition to on-screen indicators the Call Status menu provides two information fields regarding call encryption. The first field is the Encryption Code, which will identify either AES or DES. The second field is the Encryption Check Code and is comprised of an alphanumeric string. This string will be the same for systems on either side of an encrypted conference. If the Check Codes do not match, this would indicate that the call has been exposed to a Man In The Middle attack.

When a system with MultiSite functionality hosts a conference, the highest possible encryption algorithm will be negotiated on a site-by-site basis. MultiSite conferences can therefore support a mix of AES and DES encrypted endpoints in the same conference. A conference will only be as secure as its weakest link.

All systems supporting DES encryption can upgrade to AES encryption. Please contact your TANDBERG representative for more information. The standards supporting the encryption mechanisms employed by TANDBERG are: AES, DES, H.233, H234 and H.235 (H235v3 & v2 for

backwards compatibility) with extended Diffie Hellman key distribution via H.320, H.323 and Leased Line connections.

The TANDBERG AES implementation is validated as conforming to the Advanced Encryption Standard (AES) Algorithm, as specified in Federal Information Processing Standard Publication 197, *Advanced Encryption Standard*, by The National Institute of Standards and Technology (NIST).

IEEE 802.1x / EAP (Extensible Authentication Protocol)

This is a standard for authentication and authorization of units/systems onto the network.

Static configuration

- System ID and Password
- Anonymous ID for encryption challenge
- Enable methods

Supported methods

- MD5 (simple challenge)
- PEAP (encrypted channel)
- TTLS

Note that 802.1x wireless LAN is not supported.

Appendix 6: Using the File System

Using the file system

It is possible to access a file system within the TANDBERG system by using ftp:

DOS-window:	ftp <IP-address of system>, or
Web-browser:	ftp:// <IP-address of system>

Description of the different files:

all.prm	all settings in the system (including directory)
dir.prm	directory entries (up to 200 entries)
event.log	logs fault situations etc.
sw.pkg	the system software
globdir.prm	file containing up to 400 entries. These entries can not be edited from the system, but can be edited as a text-file.

Files accessible only by 'ftp get /tmp/snapshots/xxx.jpg' or 'http://<IP-address of system>/tmp/snapshots/xxx.jpg':

site0.jpg	Snapshot of current stream if MultiSite.
main.jpg	Snapshot of selfview.
site1.jpg	Snapshot of decoded stream if point-to-point.
duo.jpg	Snapshot of the encoded stream if transmitting DuoVideo, the decoded stream if receiving DuoVideo.

Custom logos

- Go to the folder where your logo is located.
- Type "ftp <IP-address of your local system>".
- Go to the user folder, type "cd user".
- Upload the logo, type "put <logo.jpg>".

The new logo will be displayed the next time you restart your system. Recommended maximum size is: 704x576, file-format: jpg. If the file is too large, no logo will be displayed.

Appendix 7: Web Interface

Web Interface

It is possible to access and maintain the system remotely via a local area network (LAN) using a standard Web-browser. Connect your system to a LAN with a Network cable.

How to configure your system for web interface:

1. Open Administrator Settings and choose Network\LAN Settings
2. Specify IP-assignment DHCP or Static. If DHCP is selected, no other settings are needed. If Static is selected, IP-address, IP-subnet mask and Gateway must be specified.
3. Start your Web-browser. In the address field type the IP-address of the system. Enter the password and the Web-page of the system will be shown. The default password is TANDBERG.
4. Restart the system. Choose Restart from the Control Panel.

Example:

IP-assignment:	Static
IP-address:	196.9.200.129
IP-subnet mask:	255.255.255.0
Gateway:	196.9.200.21

Appendix 8: Connecting the System to PRI/T1

(Not available on all TANDBERG systems)

Connecting the system to PRI/T1

Using CSU adapter

Connecting the system to the ISDN network via the E1/T1-interface using an Adtran T1 ESF CSU ACE or equivalent CSU, will allow up to 1.54 Mbps connection. The E1/T1-interface must be connected to a CSU approved according to IEC 60950, UL 1950 or equivalent standard. The PRI-line will run the AT&T 4ESS, 5ESS and National ISDN protocols in addition to Euro ISDN (E1).

Connecting to Adtran T1 ESF CSU ACE

Connect the PRI cable from the system to the input marked CPE (Customer Provided Equipment) on the Adtran CSU (straight through category 5 cable is recommended). Connect to the network via the NET connector on the Adtran CSU.

Configuration of the system

Open the Settings Menu from the Control Panel and select Network. Choose Network Type: PRI and specify your PRI number, max. Channels, cable length (between system and CSU) and switch type.

Configuration of Adtran T1 ESF CSU ACE

- Enter 2)CONFIG menu using SCROLL and ENTER buttons.
- Enter 3)TERMINAL menu. Check 1)FORMAT:ESF, 2)CODE: B8ZS , 3)SET LBO: 0-133 (corresponding to Cable Length setting on the system).
- Go to Menu and enter 1)NETWORK menu. 7)SET LBO: 0.0 (according to information from Telco).
- Also, other network parameters should be set according to information from your Telco.

Appendix 9: Connecting the System to the Switched 56 Network

(Not available on all TANDBERG systems)

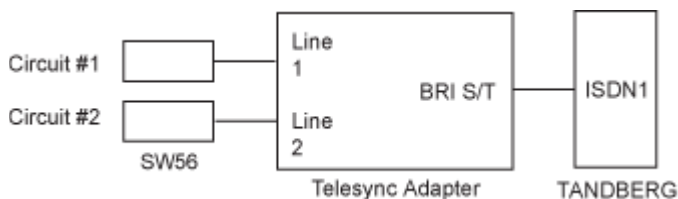
Connecting the system to the Switched 56 network

Using Telesync TS-256 SW56/ISDN adapter

Connecting the system to the SW56 network using a Telesync Adapter is described below. There are different Telesync Adapters for different configurations of SW56 networks. The network types tested with the system are SW56 2Wire and 4Wire.

Connecting

Connect the system ISDN1 cable to the BRI S/T interface on the Telesync Adapter. Connect the two SW56 cables from the Telesync adapter Line 1 and Line 2 to the SW56 network.



Configuration of the system

Select network type to National ISDN.

LINE 1 SETUP

NUMBER1: program with number from the first SW56 line
NUMBER2: program with number from the second SW56 line
SPID1: program with number from the first SW56 line
SPID2: Leave blank

How to call

It is important to use Restrict (56k). Select Restrict (56k) in Call Settings in the Call menu (select the field next to the phone book button in the call menu). A second number field will appear when ISDN is selected for Net within Call Settings and you choose bandwidth 128 kbps. Enter the second number in the call settings menu.

Appendix 10: Connecting the System to ISDN Using NT1 Network Adapters

Connecting the system to ISDN using NT1 network adapters

Connecting

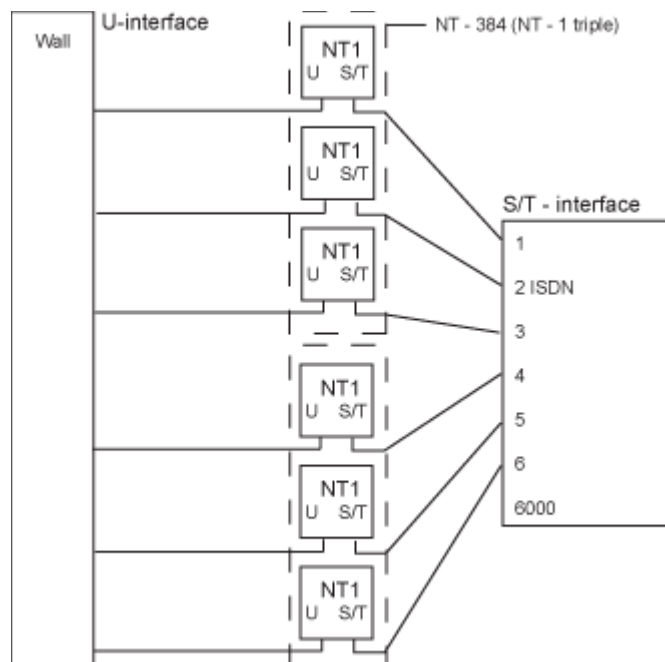
Connect the first ISDN cable from ISDN 1 on the system to the S-interface on your first NT1 network adapter. Connect the other ISDN cables to the appropriate NT1 network adapters. Connect the U-interface of your NT1 adapter to the line provided from your network provider.

For convenience the NT1 adapters could be placed inside the cabinet. If needed, use the shorter ISDN cable (RJ45 connectors) delivered with the NT1 between the codec and the NT1 and the longer ISDN cable between the NT1 and the connector (RJ45) at the wall socket.

Configuring

The configuration of the system is performed in the same manner as described in ISDN BRI Settings.

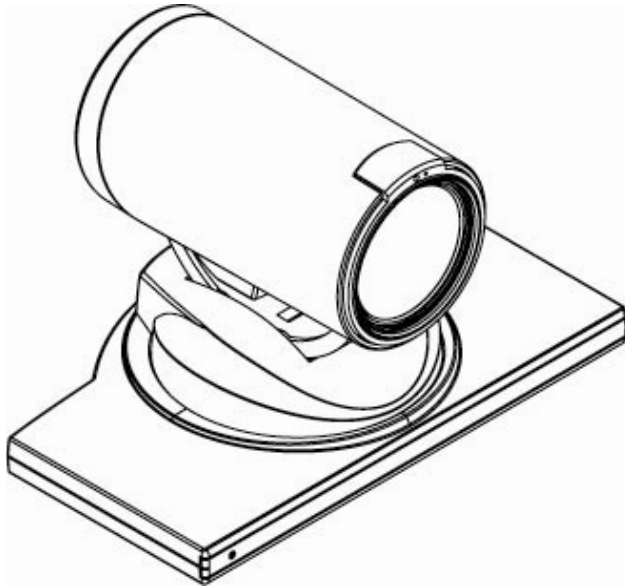
The NT1 should be powered up and you should check that the network is active. Please check your NT1 User Manual.



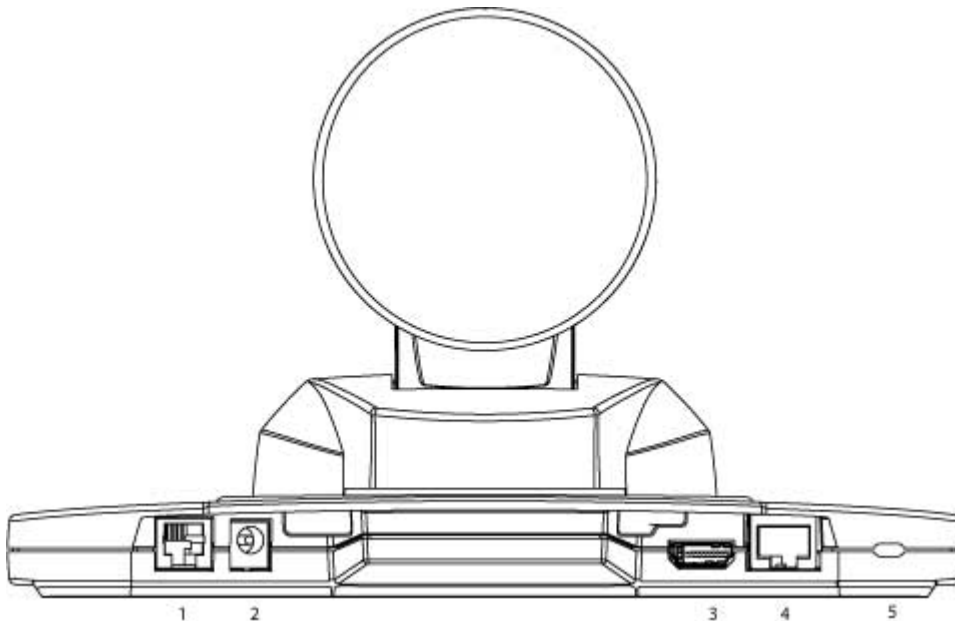
Appendix 11: TANDBERG Cameras

TANDBERG Precision HD Camera

(Available to TANDBERG 8000 MXP, 6000 MXP Profile, 3000 MXP Profile*, Maestro MXP and Edge 75/85/95 MXP)



Pin-outs and Connectors



1. Extra Camera In
2. 12V DC Power In
3. HD Video Out, HDMI**
4. Codec – HD Video Out
5. Kensington Lock

NOTE! The enclosed TANDBERG Camera Cables must be used! Do not use other camera cables as this might cause problems with the transfer of video signals from the Precision HD Camera.

8-PIN RJ (shielded modular jack):

This connector is used for the power, video and control signals to the main camera.

PRI	Pinout
Pin-8	+12V (presence 2.8mA current source when connected in daisy chain)
Pin-7	GND
Pin-6	TXD (out)
Pin-5	VIDEO LVDS -
Pin-4	VIDEO LVDS +
Pin-3	RXD (in)
Pin-2	GND
Pin-1	+ 12V

Power:

2.0 mm DC power jack (+12V, 1A required)

6-PIN RJ (modular jack):

This connector is used when cascading cameras: Control (out) signal and external camera detection. Note: It does not provide power for cascaded camera.

PRI	Pinout
Pin-6	GND
Pin-5	GND
Pin-4	RXD (in)
Pin-3	TXD (out)
Pin-2	Presence (+12V in daisy chain)
Pin-1	GND

Multiple Camera support:

For systems that support multiple cameras: The system is able to control a total of 4 cameras. Either 1 Precision HD Cameras plus up to 3 WAVE II Cameras, or up to 4 WAVE II -cameras. Optional the Precision HD Cameras and the WAVE II cameras are supplied with the necessary cabling. In addition, an external power supply for the camera is included.

You can connect both Precision HD Cameras and WAVE II cameras to the system. Camera number one must be connected to video input 1 or to the HD input (data 2). Camera two must be connected to video input 2. Camera number three must be connected to video input 3, and so forth.

TANDBERG Edge 75/85/95 MXP

The maximum length of the camera cable for multiple cameras supported by TANDBERG is 20 m (65 ft).

Dimensions: see Appendix 17: Dimensions

** Applies to T3000 MXP Profile with new hardware.*

*** Disabled when connected to a TANDBERG system using the TANDBERG Camera Cable. This output does not support HDCP (High Bandwidth Digital Content Protection).*

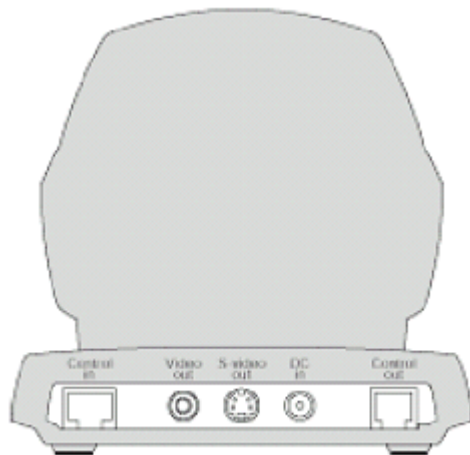
(Not available with set top systems)

WAVE II Camera

Pinouts and Connectors

8-PIN RJ (shielded modular jack):

This connector is used for the power and control signals to the main camera.



Pin-8	+12V (presence when connected in daisy chain)
Pin-7	GND
Pin-6	GND
Pin-5	RXD (in)
Pin-4	TXD (out)
Pin-3	+12V
Pin-2	GND
Pin-1	+ 12V

Standard Phono:

Used for composite video signal

Power:

2.0 mm DC power jack (+12V, 1A required)

Standard Mini Din:

Used for S-Video signal

6-PIN RJ (modular jack):

This connector is used when cascading cameras: Control (out) signal and external camera detection. Note: It does not provide power for cascaded camera.

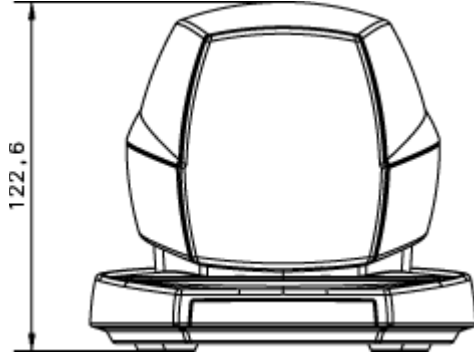
PRI	Pinout
Pin-6	GND

TANDBERG Edge 75/85/95 MXP

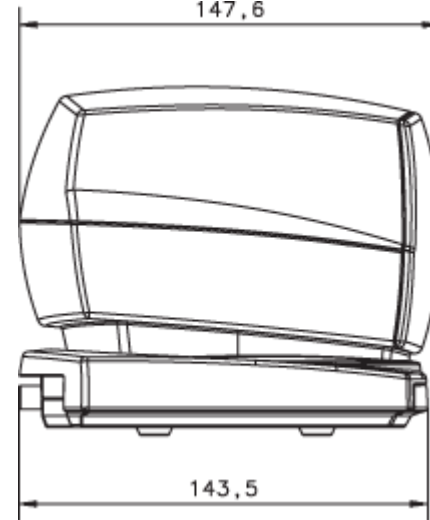
Pin-5	GND
Pin-4	RXD (in)
Pin-3	TXD (out)
Pin-2	Presence (+12V in daisy chain)
Pin-1	GND

Dimensions

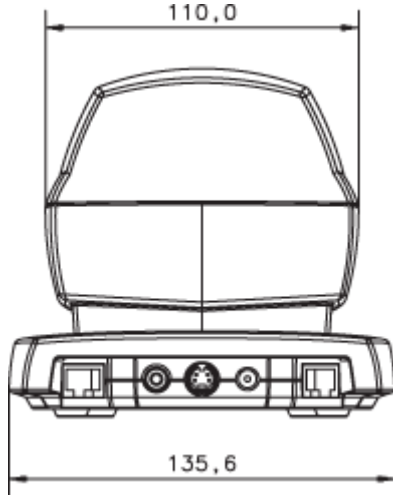
Front view:



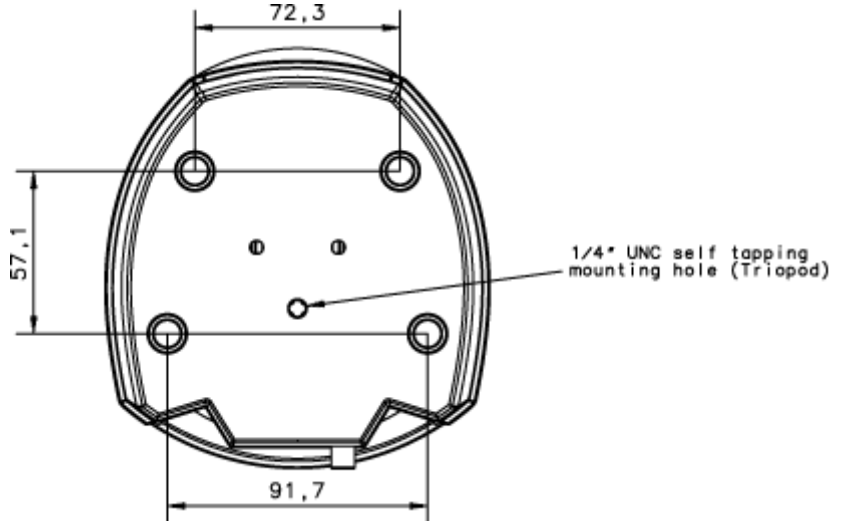
Side view:



Rear view:



Underside view:



Appendix 12: Remote Control (TRC3 / TRC4)

Remote Control (TRC 3 / TRC4)

The TANDBERG remote control transmits IR-signals using the following parameters:

Protocol	Siemens SDA2208
Reference frequency	485kHz
Address	4 & 7
IR wavelength	940nm
IR carrier frequency	30kHz

Remote Control Key Code Map:

Button codes		Remote Control (TRC 3)		Remote Control (TRC 4)		TANDBERG TRACKER	
Dec	Hex	Address	Button name	Address	Button name	Address	Button name
0	0						
1	1	0	NUMBER 1	0	NUMBER 1		
2	2	0	NUMBER 2	0	NUMBER 2		
3	3	0	NUMBER 3	0	NUMBER 3		
4	4	0	NUMBER 4	0	NUMBER 4		
5	5	0	NUMBER 5	0	NUMBER 5		
6	6	0	NUMBER 6	0	NUMBER 6		
7	7	0	NUMBER 7	0	NUMBER 7		
8	8	0	NUMBER 8	0	NUMBER 8		
9	9	0	NUMBER 9	0	NUMBER 9		
10	0A	0	NUMBER 0	0	NUMBER 0		
11	0B	0	*	0	*		
12	0C	0	#	0	#		
13	0D						
14	0E						
15	0F						
16	10						
17	11		PRESENTER		PRESENTER		
18	12	0		0			
19	13						
20	14						
21	15						
22	16	0	ZOOM OUT	0	ZOOM OUT		
23	17	0	ZOOM IN	0	ZOOM IN		
24	18						
25	19	0	VOLUME DOWN	0	VOLUME DOWN		
26	1A	0	VOLUME UP	0	VOLUME UP		
27	1B	0	MIC OFF	0	MIC OFF		
28	1C						
29	1D	0	UP	0	UP		
30	1E	0	DOWN	0	DOWN		
31	1F	0	LEFT	0	LEFT		

32	20	0	RIGHT	0	RIGHT		
33	21	0	OK	0	OK		
34	22	0	CALL	0	CALL		
35	23	0	END CALL	0	END CALL		
36	24	0	PHONE BOOK	0	PHONE BOOK		
37	25	0	MENU	0	MENU		
38	26	0	CANCEL	0	CANCEL		
39	27	0		0			
40	28	0	LAYOUT	0	LAYOUT		
41	29						
42	2A			0	MAIN CAM		
43	2B			0	PC		
44	2C			0	DOC CAM		
45	2D			0	DVD		
46	2E			0	AUX		
47	2F			0	HELP	4	P0
48	30			0	FAR END	4	P1
49	31			0	PRESETS	4	P2
50	32			0	SERVICES	4	P3
51	33					4	P4
52	34					4	P5
53	35					4	P6
54	36					4	P7
55	37					4	P8
56	38					4	P9
57	39					4	P10
58	3A					4	P11
59	3B					4	P12
60	3C					4	P13
61	3D					4	P14
62	3E						
63	3F	0	WAKE UP	0	WAKE UP		
25	19	3	LOW BATT	3	LOW BATT		
XX		3	PROG VER	3	PROG VER		

Appendix 13: Cisco CallManager

Cisco CallManager registration

Configuring an H.323 client on the CallManager 4.0

The registration of a H.323 client in CallManager is supported on the CallManager (CCM) 4.0 software and forward.

1. To configure the CallManager with an H.323 client, log on to the administration web interface and go to the phone configuration page.
2. The Phone configuration page is located on: device (top menu) -> Add a New device -> Phone -> H.323 Client.
3. In the phone configuration page type the IP address of the TANDBERG system in the Device name field, select device pool and push the insert button.
4. A pop-up box will now appear on the screen and ask you if you would like to configure the directory number. Push the ok button.
5. You should now see the Directory Number Configuration WEB page. Enter the E.164/phone number of your TANDBERG system in the Directory number field, and in the "Forward and Pickup Settings" enter the time of "No Answer Ring Duration". The time selected has to have a value from 1 to 300 seconds.
6. Push the Add button to update the CallManager with the directory number settings.

You have now configured the CallManager with a H.323 client and should be able to register the TANDBERG system to it. When the TANDBERG system is registered to a CallManager, it will be possible to place and receive calls from this system to any other video and voice systems that are registered on the same CallManager.

Appendix 14: Diagnostics Tools for IP

Diagnostic Tools for IP

To use these tools, will require using a PC and setting up a telnet session towards the system.

Q.931

To show Q.931 trace during a call you need to issue the command 'syslog on'. One can get traces for RAS, Q.931 and H.245 with this command. It is a complex trace and requires an extensive knowledge in H.323 signaling to be understood.

Ping

Ping is used to see if the system is able to reach a specific IP-address, using a mechanism in IP called ICMP. If the system is unable to register to its gatekeeper, or if it is unable to dial a specific endpoint, one can use ping to see if there is at least an IP-route to the gatekeeper or to the endpoint. In case you have problems, one would first ping the default gateway, then the gatekeeper, and then the other endpoint.

Traceroute

Traceroute does exactly that; it traces the route an IP-packet takes to reach its destination and displays all router hops. Traceroute is very useful for seeing exactly where there is a routing-problem in the IP-network, and for checking where transport-delay is introduced.

Layer 4 Ports used in H.323 calls

The layer 4 ports used by the system in a H.323 call can be defined as follows:

- Dynamic: The ports are allocated at random from 2048 to 65535.
- Dynamic H323 ports are allocated at random from 11000 to 65535.
- Static: Will use the predefined layer 4 ports listed in the tables below.

Function	Port	Type
Gatekeeper Discovery (RAS)	1719	UDP
Q.931 Call Setup	1720	TCP
H.245	Range 5555-5574	TCP
Video	Range 2326-2341	UDP
Audio	Range 2326-2341	UDP
Data/FECC	Range 2326-2341	UDP

Point-to-point + Duo Video

Function	Port	Type
Gatekeeper Discovery (RAS)	1719	UDP
Q.931 Call Setup	1720	TCP
H.245*	Range 5555-5574	TCP
Video	Range 2326-2405	UDP
Audio	Range 2326-2405	UDP
Data/FECC	Range 2326-2405	UDP

MultiSite + Duo Video

(*) Note: While using MultiSite, if a site is disconnected and reconnected without terminating the entire conference, the next site to be connected will have a H.245 port outside of the specified range. If this functionality is required through a firewall, the range of TCP ports can be extended past 5564. However, if a site is disconnected and reconnected, without ending the conference enough times one can quickly end up outside of this range again.

Appendix 15: System Upgrade

System Upgrade

Before starting the software upgrade of the TANDBERG MXP system, please make sure to have the new software file, (for instance s050000F30.pkg) and the Release Key for this software available. Your TANDBERG Partner will provide this for you.

All options and settings will automatically be stored when upgrading, so no backup is necessary.

If the system upgrade process is aborted before it's complete, the system will work as normal with the original software

The TANDBERG MXP systems can be upgraded in three different ways;

- **Using the web interface**
- **Using FTP**
- **Using ISDN**

A) To upgrade using the web interface, please do the following steps:

1. Type the IP address of the TANDBERG MXP system that shall be upgraded (for instance 10.0.8.77) in a standard browser, such as Internet Explorer 6.0.
2. The web interface of the codec will then be displayed. Select the 'System Configuration' tab on top of the page, and then the sub-tab 'Upgrade'.

The following page will now be displayed:

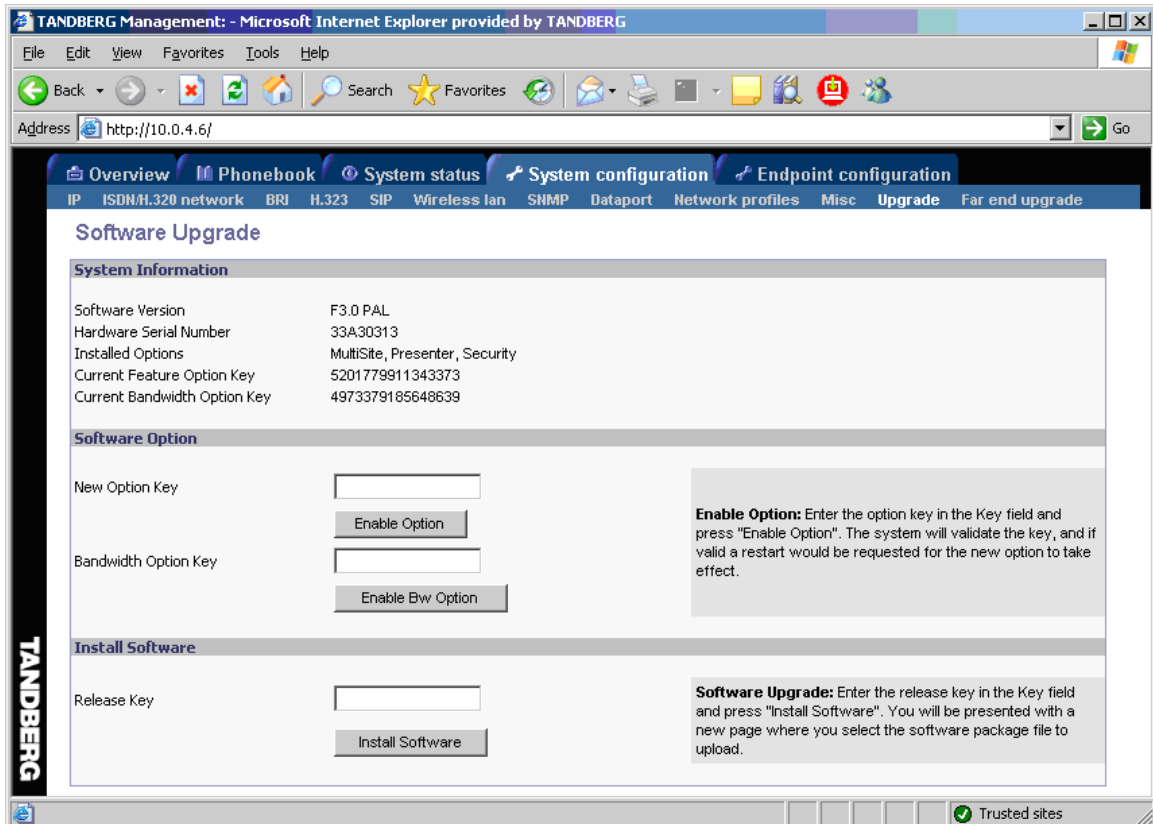


Figure 1

3. Enter the Release key in the 'Release Key' field and press the 'Install Software' button.

A new page will now be displayed:

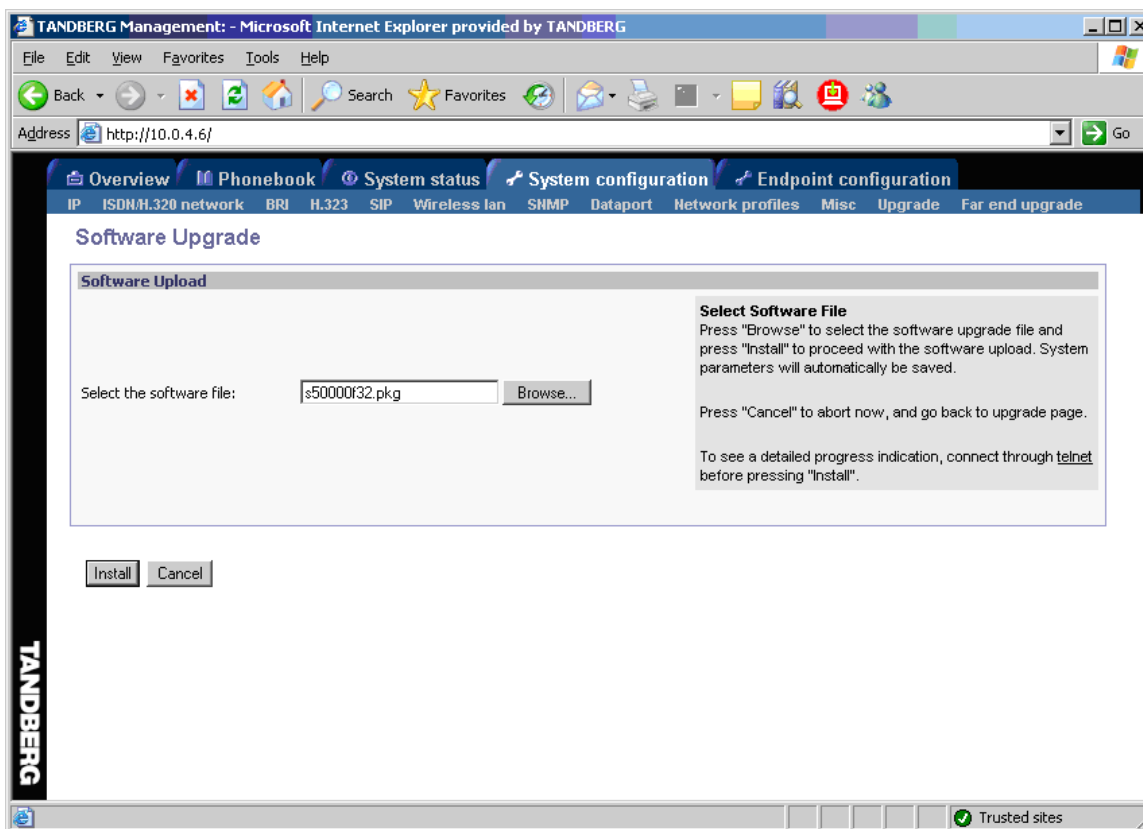


Figure 2

4. Type in the path to where the new software file is stored, or select the file by using the 'Browse' button.

5. The progress for the sw upgrade can be tracked by pressing the 'telnet' link in the help text box BEFORE pressing the install button. Please note that this is not a necessary action for a successful software upgrade. An indication of the software upgrade progress will also be shown on the display of the system

6. Press the 'Install' button to start the software upgrade.

When the software upgrade is complete, you need to click on the restart button and press OK to restart the system in order to activate the new software. Once verified, the system will reboot once more to complete the upload of all systems parameters kept from the old software revision.

7. To verify that the new sw is installed, refresh the page shown in figure1 after restart. The 'Software Version' should now show the new software version uploaded to the system. The same information can also be found in the menu on the system under 'Control Panel/System Information'.

B) Upgrading using FTP:

- 1) Copy the new software file to a folder on your harddisk, for instance c:\software.
- 2) Open a DOS window, and go to the folder where the new software is stored.
- 3) Type ftp <ip address of the TANDBERG MXP system>.
- 4) Type in the supplied 'Release Key' as user.

- 5) Type in your IP password (default is "TANDBERG") as password.
- 6) Type 'put <software file name>' and press Enter. The new software file will now be uploaded to the TANDBERG MXP system.
- 7) When the software upload is complete, end the ftp connection to the TANDBERG MXP system by typing 'bye' in the DOS prompt.
- 8) To exit the DOS window completely, type 'exit'
- 9) Restart the system to activate the new software.

C) ISDN Upgrade

The TANDBERG MXP systems has the possibility to be upgraded remotely from another TANDBERG MXP system using ISDN. Please note that both systems must be on software version F3.0 or newer for this functionality.

Please also note that both systems must be on software version F3.0 or newer for this functionality

1. Connect to the system that shall be upgraded using ISDN
2. Copy the new software file to a folder on your computer, for instance c:\software.
3. Type the IP address of the TANDBERG MXP system that the software upgrade is going to be done from (for instance 10.0.8.77) in a standard browser, such as Internet Explorer 6.0. The web interface of the codec will then be displayed.
4. Select the 'System Configuration' tab on top of the page, and then the sub-tab 'Far end upgrade'.

The following page will now be displayed:

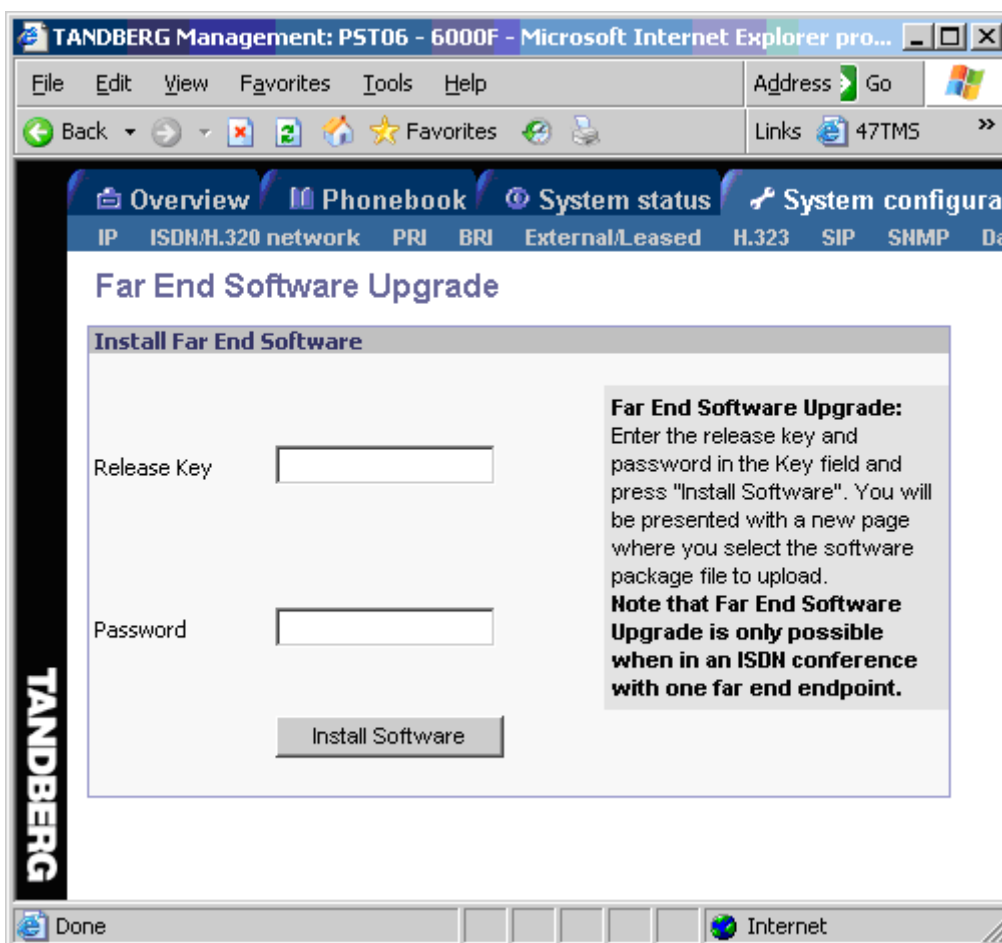


Figure 3

5. Enter the release key for the system to be upgraded in the 'Release Key' field. If no release key is given, the Far End System will use the previously stored release key if possible. This will work when upgrading from a main release to a dot release.
- 6 Make sure the setting "Far End System Upgrade" is set to "On" at the remote site. This setting can be found in the Settings/General/Permissions menu.
7. Enter the password set at the far end for remote upgrade (default password is "TANDBERG")
8. Press 'Install Software'. The system will now use about 90% of the call capacity to transfer the software file across. During this time, audio and video will be turned off.
9. Once the software has been transferred and verified at the far end, you will get a new webpage with information that the upgrade of the far end was successful. At the same time, a message box will appear at the remote system asking if you want to reboot the system to activate the new software.
10. To activate the new software. The ISDN connection needs to be closed, and the TANDBERG MXP system must be rebooted.

TANDBERG Edge 75/85/95 MXP

In the menu on the system under 'Control Panel/System Information', the installed software should now be displayed as the 'Software Version'.

Appendix 16: Declaration of Conformity

EC DECLARATION OF CONFORMITY

PRODUCT NAME: TANDBERG Edge 75 MXP
TANDBERG Edge 85 MXP
TANDBERG Edge 95 MXP

TYPE NUMBER: TTC7-14

DESCRIPTION: Video Conferencing Equipment

This product complies with Commission Directives:

- • LVD 73/23/EEC
- • EMC 89/336/EEC
- • R&TTE 99/5/EEC

This product complies with harmonised Standards:

- • EN 60950-1 : 2001, A11
- • EN 55022 : 1994, A1/A2
- • EN 55024 : 1998, A1/A2
- • EN 61000-3-2 : 2000
- • EN 61000-3-3 : 1995, A1
- • TBR 3 Layer 1, 2 and 3

TECHNICAL CONSTRUCTION FILE NO.: X13748

YEAR WHICH THE CE-MARK WAS AFFIXED: 2006

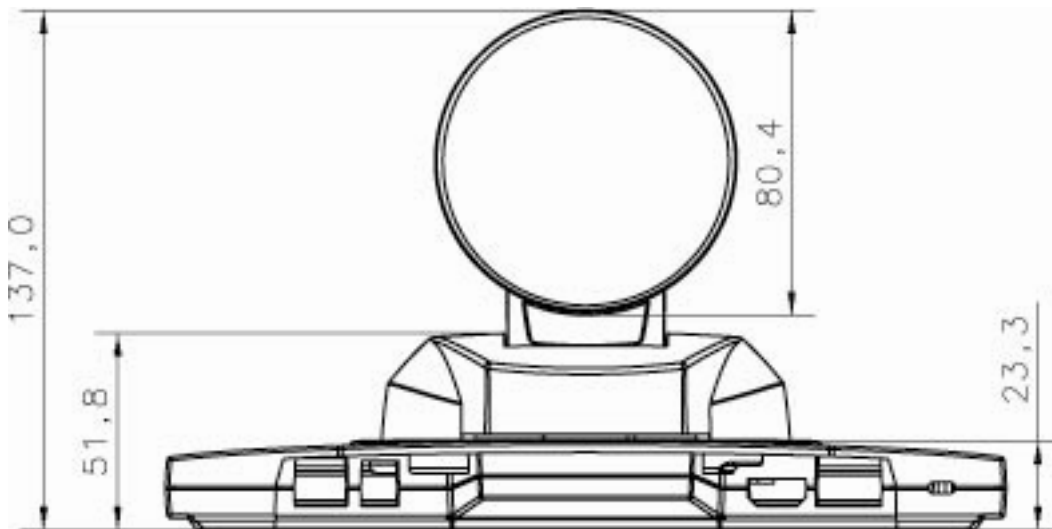
For an official, signed version of this document, or details regarding documentation from the technical construction file, please contact TANDBERG.

Appendix 17: Dimensions

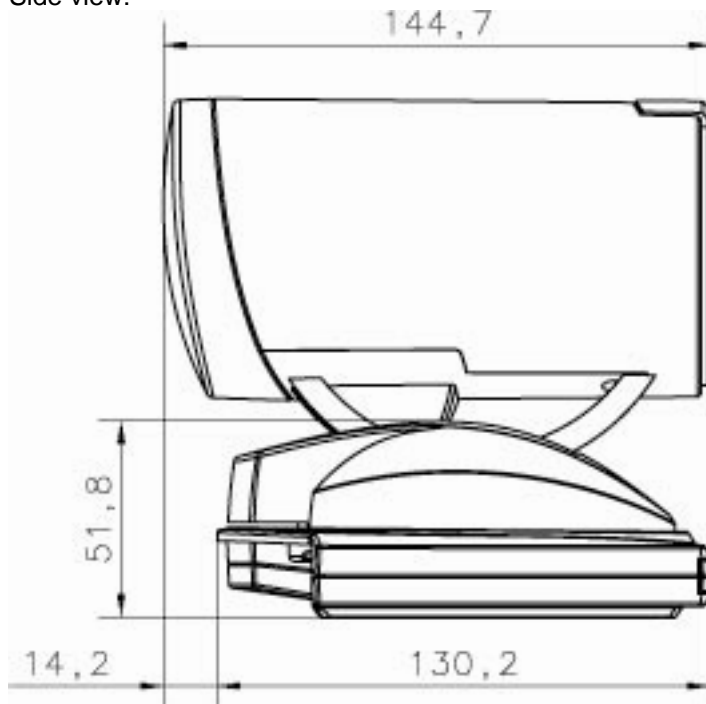
Dimensions

TANDBERG Precision HD Camera Dimensions:

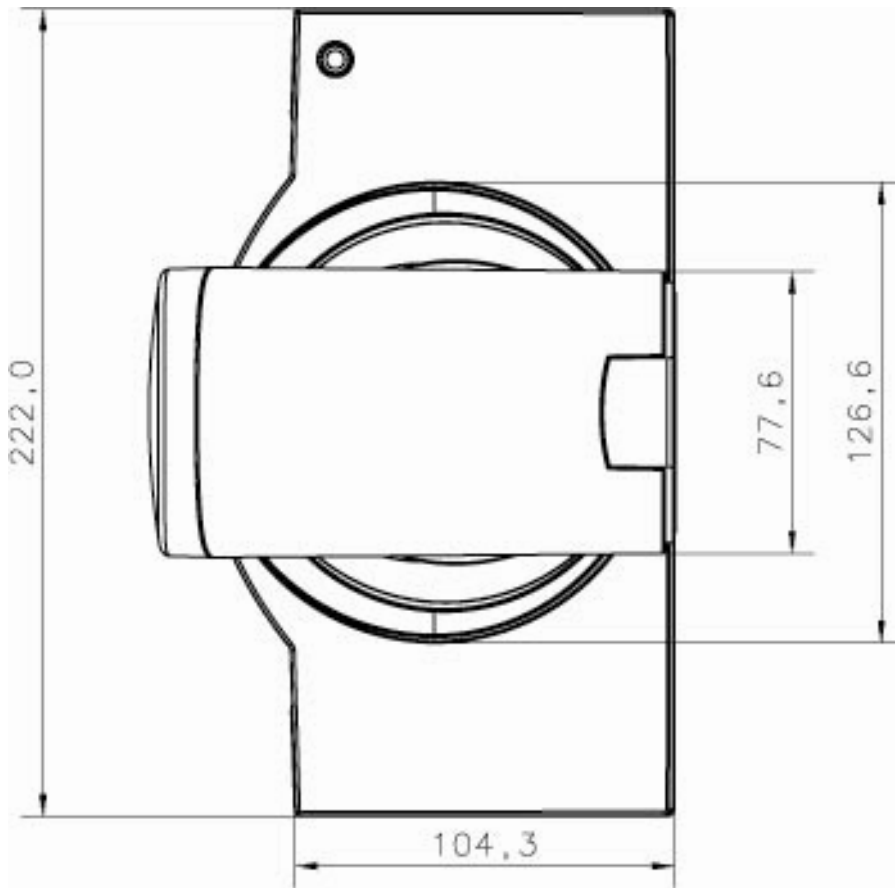
Back view:



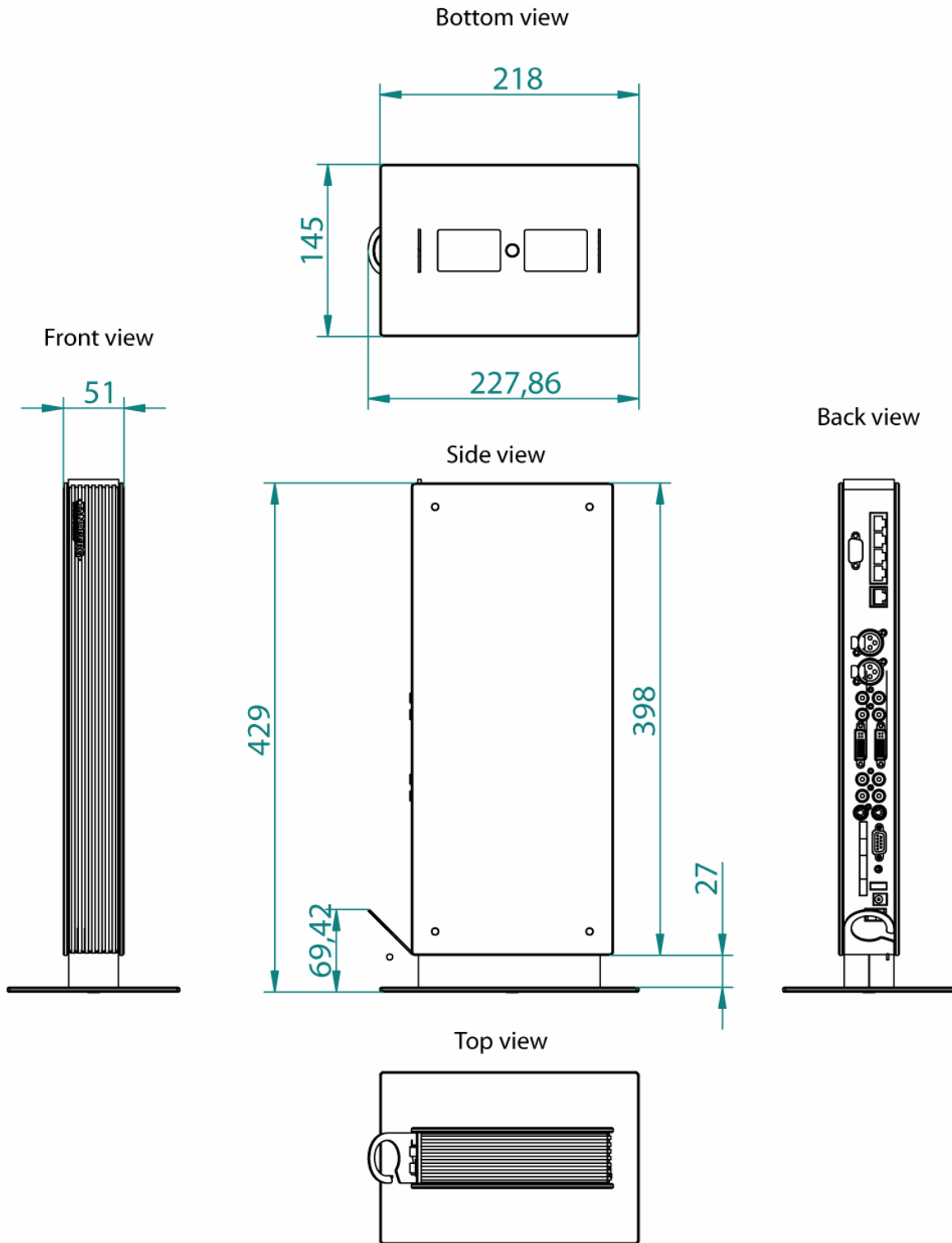
Side view:



Top view:



TANDBERG HD Unit with Foot Stand Dimensions:



Appendix 18: Protocols Supported

PROTOCOLS SUPPORTED

TCP/IP - Transmission Control Protocol/Internet Protocol

A set of networking protocols that provides connectivity over LAN/WAN to any network computer.

HTTP - Hypertext Transfer Protocol

A protocol used to transfer information on the internet. A web-browser interface is used to access the management computer. (Max number of simultaneous connections is unlimited, although only one is processed at a time).

HTTPS - Hypertext Transfer Protocol Secure sockets

If a Web server supports the SSL protocol (establish a secure communications channel to prevent the interception of critical information), the Internet address for the server will begin with https:// instead of http://

FTP - File Transfer Protocol

A member of the TCP/IP suite of protocols used to copy files between two computers on the Internet. FTP provides standard method for remote software upgrades. (Max. number of simultaneous connection = 1).

TELNET

Telnet provides access to management functions by using a standard command-line interface. (Max. number of simultaneous connection = 8, in addition to the RS232 connection).

TELNET Challenge

TMS (Tandberg Management Suite) uses MD5-Challenge Response algorithm (RFC-1321) Telnet access for encryption of password over the IP network.

SNMP - Simple Network Management Protocol

A standard network protocol for management and surveillance of TCP/IP networks (RFC 1157 SNMP v1, RFC 1213 MIB-II).

DHCP - Dynamic Host Configuration Protocol

DHCP is a TCP/IP protocol that offers dynamic IP addresses and other configuration parameters (subnet mask) to network clients. It provides safe reliable and simple network configuration, prevents address conflicts, and helps conserve the use of client IP addresses.

DNS - Domain Name System

A hierarchical distributed database that contains mappings of DNS domain names to various types of data, such as IP addresses. DNS enables the location of computers and services by user-friendly names, and it also enables the discovery of other information stored in the database.

Network Protocol – Is a set of rules and conventions for sending information over a communications network. These rules govern the content, format, timing, sequencing, and error control of messages exchanged among network devices.

LAN – Local Area Network

A communications network connecting a group of computers, printers, and other devices located within a relatively limited area (for example, a building).

WAN – Wide Area Network

A communications network connecting geographically separated computers, printers, and other devices.

SSL - Secure Sockets Layer

SSL is a proposed open standard for establishing a secure communications channel to prevent the interception of critical information.

Appendix 19: Cable Specifications

TANDBERG MXP and Classic Endpoints that support External Network

External Network Pinout

With respect to signals on the NET port:

- For balanced signals a “0”=low voltage is defined as terminal A positive with respect to terminal B.
- For unbalanced signals a “0”= low voltage is defined as terminal positive with respect to GND.

Pinout on 26-pin HD connector J5

Pin numb	Standard				Signal dir.	Call control (menu setting)			Mnemonics
	V35	RS449	RS366	X21		RS366	Leased line	Data trig. Manual	
1	GND	GND	GND	GND					Frame Ground (connected to GND)
2			DPR		Output	x			Digit present
3			ACR		Input	x			Abandon Call & Retry
4			CRQ		Output	x			Call Request
5			PND		Input	x			Present Next Digit
6			DLO		Input	x			Data Line Occupied
7			NB1		Output	x			Digit bit 1
8			NB2		Output	x			Digit bit 2
9			NB4		Output	x			Digit bit 3
10			NB8		Output	x			Digit bit 4
11	SD (A)	SD (A)		T (A)	Output	x	x	x	Send Data / Transmit
12	SD (B)	SD (B)		T (B)	Output	x	x	x	Send Data / Transmit
13	RD (A)	RD (A)		R(A)	Input	x	x	x	Receive Data
14	RD (B)	RD (B)		R(B)	Input	x	x	x	Receive Data
15	SCR (A)	SCR(A)		S(A)	Input	x	x	x	Signal Clock Receive / Receive Timing
16	SCR (B)	SCR(B)		S(B)	Input	x	x	x	Signal Clock Receive / Receive Timing
17	SCT (A)	SCT(A)			Input	x	x	x	Signal Clock Transmit / Send Timing
18	SCT (B)	SCT(B)			Input	x	x	x	Signal Clock Transmit / Send Timing
19	GND	GND							GND
20		TR (A)		C(A)	Output	x	x		Terminal Ready / Control
21		TR (B)		C(B)	Output	x	x		Terminal Ready / Control
22	RLSD (CD)	RR (A)		I (A)	Input	x	x		Received Line Signal Detector / Carrier Detect / Receiver Ready / Indication
23	GND (RLSD)	RR (B)		I (B)	Input	x	x		Received Line Signal Detector / Carrier Detect / Receiver Ready / Indication
24	RI	IC			Input	x			Ring Indicator / Incoming Call
25	LOS	LOS			Output	x	x		Loss Of Signal
26	DTR				Output	x	x		(Data) Terminal Ready

Cable Specification

V.35 Cable

TANDBERG MXP and Classic Endpoints that support External Network

- Connector on cable at Codec end:
 - Female 26 pin high-density DSUB with thumbscrews.
- Connectors on cable at V.35-adapter end:
 - Male 34 pin Winchester (AMP part number 201357-1 or equivalent).
- Cable length:
 - Maximum 20 meters (65 feet) for cables using DTR, RI, or RLSD.
 - Maximum 50 meters (170 feet) for cables not using DTR, RI or RLSD (data-triggered applications).
- Cable type:
 - Shielded.
- Connector housing:
 - Metal, with cable shield connected to metal housing at 26 pin connector end.

Signal Name	Female 26pin DSUB Pin number	Male 34pin Winchester Pin number	Comments
Frame ground	1	A	
Signal ground	19,23	B	
TX(A), transmit data TX(B)	11 12	P S	Twisted pair
RX(A), receive data RX(B)	13 14	R T	Twisted pair
RCLK(A), rcv clock RCLK(B)	15 16	V X	Twisted pair
TCLK(A), xmt clock TCLK(B)	17 18	Y AA	Twisted pair
DTR	26	H, C	
RI	24	L, J	
RLSD	22	F	

Note:

For "Data-Triggered" leased-line applications, signals DTR, RI and RLSD are not used.

Cable Specification

V.35/RS-366 Cable

TANDBERG MXP and Classic Endpoints that support External Network

- Connector on cable at Codec end:
 - Female 26 pin high-density DSUB with thumbscrews.
- Connectors on cable at V.35-adapter end:
 - Male 34 pin Winchester (AMP part number 201357-1 or equivalent) and
 - Male 25 pin DSUB with thumbscrews.
- Cable length:
 - Maximum 20 meters (60 feet).
- Cable type:
 - Shielded.
- Connector housing:
 - Metal, with cable shield connected to metal housing at 26 pin connector end.

Signal Name	Female 26pin DSUB Pin number	Male 34pin Winchester Pin number	Male 25pin DSUB	Comments
Frame ground	1	A		
Signal ground	19,23	B		
TX(A), transmit data TX(B)	11 12	P S		Twisted pair
RX(A), receive data RX(B)	13 14	R T		Twisted pair
RCLK(A), rcv clock RCLK(B)	15 16	V X		Twisted pair
TCLK(A), xmt clock TCLK(B)	17 18	Y AA		Twisted pair
DTR	26	H, C		
RI	24	L, J		
RLSD	22	F		
RS366 DPR	2		2	
RS366 ACR	3		3	
RS366 CRQ	4		4	
RS366 PND	5		5	
RS366 DLO	6		22	
RS366 NB1	7		14	
RS366 NB2	8		15	
RS366 NB4	9		16	
RS366 NB8	10		17	
RS366 GND	19		7	

Cable Specification

RS-449 Cable

TANDBERG MXP and Classic Endpoints that support External Network

- Connector on Tandberg End:
 - Female 26pin High Density DSUB Newark P/N 50F2055 or Equivalent
- Connector on RS-449:
 - DSUB 37 pin Male

Signal Name	Female	Male	Comments
	26pin DSUB	37pin DSUB	
	(Tandberg end)	(DCE end)	
	Pin Number	Pin Number	
Frame Ground	1	1	Do not connect shield to FGND
Signal Ground	19,23	19,30	
Send Data (A)	11	4	Twisted Pair
Send Data (B)	12	22	
Send Timing (A)	17	5	Twisted Pair
Send Timing (B)	18	23	
Receive Data (A)	13	6	Twisted Pair
Receive Data (B)	14	24	
Receive Timing(A)	15	8	Twisted Pair
Receive Timing (B)	16	26	
Terminal Ready(A)	26	12	
Receiver Ready (A)	22	13	Twisted Pair
Receiver Ready (B)	23	31	
Incoming Call (A)	24	15	
LOS KG Resync	25	36	
Cable Labels	NET 1	RS449	

Cable Specification RS-449/RS-366 Cable TANDBERG MXP and Classic Endpoints that support External Network

- Connector on Tandberg End:
 - Female 26pin High Density DSUB Newark P/N 50F2055 or Equivalent
- Connector on RS-449:
 - DSUB 37 pin Male
- Connector on RS-366:
 - DSUB 25 pin Male

Signal Name	Female 26pin DSUB (Tandberg end) Pin Number	Male 37pin DSUB (DCE end) Pin Number	Male 25pin DSUB RS-366 Pin Number	Comments
Frame Ground	1	1		Do not connect shield to FGND
Signal Ground	19	19,30		
Send Data (A) Send Data (B)	11 12	4 22		Twisted Pair
Send Timing (A) Send Timing (B)	17 18	5 23		Twisted Pair
Receive Data (A) Receive Data (B)	13 14	6 24		Twisted Pair
Receive Timing(A) Receive Timing (B)	15 16	8 26		Twisted Pair
Terminal Ready(A)	26	12		
Receiver Ready (A) Receiver Ready (B)	22 23	13 31		Twisted Pair
Incoming Call (A)	24	15		
LOS A	25	36		LOS A Unbalanced
RS366 DPR	2		2	
RS366 ACR	3		3	
RS366 CRQ	4		4	
RS366 PND	5		5	
RS366 DLO	6		22	
RS366 NB1	7		14	
RS366 NB2	8		15	
RS366 NB4	9		16	
RS366 NB8	10		17	
RS366 DSC	20		13	
RS366 PWI	20		6	
RS366 GND	1		7	

Cable Specification

RS-530 Cable

TANDBERG MXP and Classic Endpoints that support External Network

- Connector on Tandberg End:
 - Female 26pin High Density DSUB Newark P/N 50F2055 or Equivalent
- Connector on RS-530:
 - DSUB 25 pin Male
- Cable length:
 - 1 meter

Signal Name	Female 26pin DSUB (Tandberg end) Pin Number	Male 25pin DSUB RS-530 (DCE end) Pin Number	Comments
Frame Ground	1	1	Do not connect shield to FGND
Signal Ground	19	7	
Send Data (A)	11	2	Twisted Pair
Send Data (B)	12	14	
Send Timing (A)	17	15	Twisted Pair
Send Timing (B)	18	12	
Receive Data (A)	13	3	Twisted Pair
Receive Data (B)	14	16	
Receive Timing(A)	15	17	Twisted Pair
Receive Timing (B)	16	9	
Terminal Ready(A)	20	20	
Terminal Ready(B)	21	23	
Receiver Ready (A)	22	8	Twisted Pair
Receiver Ready (B)	23	10	
LOS A	25	18	LOS A Unbalanced

Cable Specification RS-530/RS-366 TANDBERG MXP and Classic Endpoints that support External Network

- Connector on Tandberg End:
 - Female 26pin High Density DSUB Newark P/N 50F2055 or Equivalent
- Connector on RS-530:
 - DSUB 25 pin Male
- Connector on RS-366:
 - DSUB 25 pin Male
- Cable length:
 - 1 meter

Signal Name	Female 26pin DSUB (Tandberg end) Pin Number	Male 25pin DSUB RS-530 (DCE end) Pin Number	Male 25pin DSUB RS-366 Pin Number	Comments
Frame Ground	1	1		Do not connect shield to FGND
Signal Ground	19	7		
Send Data (A)	11	2		Twisted Pair
Send Data (B)	12	14		
Send Timing (A)	17	15		Twisted Pair
Send Timing (B)	18	12		
Receive Data (A)	13	3		Twisted Pair
Receive Data (B)	14	16		
Receive Timing(A)	15	17		Twisted Pair
Receive Timing (B)	16	9		
Terminal Ready(A)	20	20		
Terminal Ready(B)	21	23		
Receiver Ready (A)	22	8		Twisted Pair
Receiver Ready (B)	23	10		Twisted Pair
LOS A	25	18		LOS A Unbalanced
RS366 DPR	2		2	
RS366 ACR	3		3	
RS366 CRQ	4		4	
RS366 PND	5		5	
RS366 DLO	6		22	
RS366 NB1	7		14	
RS366 NB2	8		15	
RS366 NB4	9		16	
RS366 NB8	10		17	
RS366 GND	1		7	

Cable Specification RS-449 Cable to KIV-7 TANDBERG MXP and Classic Endpoints that support External Network

- Connector on Tandberg End:
 - Female 26pin High Density DSUB Newark P/N 50F2055 or Equivalent
- Connector on RS-449:
 - DSUB 37 pin Male

Signal Name	Female 26pin DSUB (Tandberg end)	Male 37pin DSUB (DCE end)	Comments
	Pin Number	Pin Number	
Frame Ground	1	1	Do not connect shield to FGND
Send Data (A)	11	4	Twisted Pair
Send Data (B)	12	14	
Send Timing (A)	17	15	Twisted Pair
Send Timing (B)	18	12	
Receive Data (A)	13	3	Twisted Pair
Receive Data (B)	14	16	
Receive Timing(A)	15	17	Twisted Pair
Receive Timing (B)	16	9	
LOS	25	31	
Signal Ground	19	1	
		4,20,28	Jumpers
		19,23,27	Jumpers

8 Glossary

#

199 AV1: External input for the TANDBERG/LOEWE monitor.

2nd monitor: The second monitor of your video communication system. The second monitor is normally placed on the right side of the first monitor.

4CIF: 4 times CIF, 704x576 pixels

4SIF: 4 times SIF, 704x480 pixels

A

AACLD: Advanced Audio Coding Low Delay

Access code: Use Access code to password protect outgoing calls.

Accessories box: The cabinet contains the following: W.A.V.E. camera, table microphone, remote control and tracker and documentation.

Accessories drawer: See Accessories box

AES: Strong encryption. (Advanced Encryption Standard)

AGC: Automatic Gain Control. Maintains the audio signal level at a fixed value by attenuating strong signals and amplifying weak signals. Very weak signals, i.e. noise alone, will not be amplified.

Alert speaker: The internal speaker will warn you of an incoming call even though the monitor may not be switched on.

Audio call: Audio call equals a telephone call. You can make a call with the video system with audio only.

Audio input 4: Intended for connection to an external microphone amplifier or an external fixed mixer.

Audio input 5: Intended for connection to external playback devices (or to telephone add-on hybrids).

Audio input 6: Intended for connection to a VCR or DVD player or other external playback devices.

Audio out 1: Intended for connection to TANDBERG Natural Audio, televisions or audio amplifiers.

Audio out 2: Intended for connection to audio recording equipment (or to a telephone add-on hybrid).

Audio out 3: Intended for connection to a VCR or other recording equipment.

Auto-display snapshot: Sent and received snapshot will automatically appear on full screen display.

Auto answer: The system will automatically answer all incoming calls.

Automatic Duo Video: Duo Video Mode is put to Auto. When starting a presentation, Duo Video will start automatically (if possible).

B

Bandwidth: Decides the quality of the video call. High bandwidth gives high quality.

C

Call Control Data Triggered: Uses TxData, RxData and clock signals only. Use Data Triggered when no handshake signal is available.

Call control Leased Line: Is a non-dialing protocol and should be used when two systems are connected in a point-to-point connection. Use Leased Line when the handshaking signals DTR and CD are available.

Call control Manual: Should be used when no handshake signals are available, and the external equipment requires a constantly connected line.

Call control RS366 Dialing: The only dialing protocol and would normally be used together with network clocking RS449/V35 Compatible when the external system uses RS2366 ports.

Call status: Comprehensive information about the call listing transmitted and received audio/video/data information.

Camera tracking: Voice Activated Camera Positioning - the camera will automatically view the current speaker.

Camera tracking mode: Voice Activated Camera Positioning - the camera will automatically view the current speaker.

Chair control: Enables one participant to control the meeting by selecting which of the conference participants that is to be broadcasted to the other participants.

Channel status: Comprehensive information about the call progress listing the numbers called, and if an error occurs a cause code is displayed.

CIF: Common Intermediate Format, 352x288 pixels

Closed Captioning: Text chat.

Codec: The Codec is the heart of the system. The main task for the Codec is the compression of outgoing video, audio and data, the transmission of this information to the far end, and the decompression of the incoming information.

Continuous Presence: See Split Screen

Control Panel: The Control Panel is found in the Menu.

CSU: Channel Service Unit

D

Daisy-chaining: Use of several cameras in a video conference.

Dataport: The system provides two standard RS 232 data ports to allow a computer to be connected for data transfer and control purposes.

Dataport 1: A standard RS 232 data port to allow a computer to be connected for data transfer and control purposes.

Dataport 2: Dedicated to the main camera and will not be available in standard configuration.

DES: Encryption. (Data Encryption Standard)

DHCP: Dynamic Host Configuration Protocol.

- Diagnostics:** Allows testing of individual system components and displays the current system settings.
- Digital ClarityTF:** Participants enjoy presentations of exceptionally high quality resolution video.
- Disconnect site:** As a Chairman, you get the option Disconnect site. Disconnect site allows you to disconnect any participant in the conference.
- Do Not Disturb:** When Do Not Disturb is active the system will not accept any incoming calls. The caller will hear a busy tone when calling the unit.
- Document Camera:** A document camera is an additional camera that is used for showing text, diagrams as well as physical objects.
- DownspeedingTF:** If channels are dropped during a video meeting, the connection is automatically maintained without interruption.
- dual monitor:** The second monitor
- Dual monitor system:** A videoconference system with two monitors.
- Duo VideoTF:** Allows participants at the far end to simultaneously watch a presenter on one screen and a live presentation on the adjoining screen.

E

- E.164 Alias:** The E.164 address of the system. Equivalent to a telephone number, sometimes combined with access codes. The system will not register with the gatekeeper if the E164 alias is not set.
- E1:** Network type, 30 channels. Default for PAL versions.
- Echo canceller:** Continuously adjusts itself to the audio characteristics of the room and compensates for any changes it detects in the audio environment.
- Echo control:** When set to On the far end is prevented to hear their own audio.
- Encryption:** Use encryption to make a secure call. The system will try to make point-to-point calls using encryption. If the far end system supports encryption, the call will be encrypted. If not, the call will proceed without encryption. (Auto encryption). Set encryption to On if you don't want an unencrypted call to be established at all. Set encryption to Off if you don't want to use encryption.
- End view:** Stop viewing the site previously chosen with View Site, and return the view to the site that is currently On Air. Can be used by all conference participants.
- Ethernet Speed:** The speed (Mbps) on the connection from the system to the LAN.

F

- Fallback to telephony:** Enables fallback from video calls to telephony/speech calls.
- Far End:** In a video conference, Far End means the remote side of the conference. Far End Camera is your conference partner's camera. Opposite to Near End
- FECC:** Far End Camera Control. When activated it is possible to control the far end's camera, select video sources, activate presets and request still images.
- Floor:** In a multipoint call, use Request Floor to broadcast your picture to all other participants. This is handy when you are having presentations, for teachers etc.

G

G.711: Audio algorithm for normal quality audio (telephone quality, 3.1 kHz) The system will always have G.711 enabled.

G.722: Audio algorithm for high quality audio (7 kHz).

G.722.1: Audio algorithm for compressed high quality audio (7 kHz)

G.728: Audio algorithm for compressed normal quality audio (telephone quality, 3.1 kHz)

Gateway: The gateway enables sites on IP and sites on ISDN to participate in meetings with each other.

Global Phone Book: A phone book provided by TMS.

H

H.261: Video algorithm for legacy video compression and decompression. The system will always transmit H.261

H.263: Video algorithm for normal video compression and decompression

H.264: Video algorithm for bandwidth-efficient video compression and decompression

Hardware serial number: A unique number (listed in the System Information menu) to identify your system towards your TANDBERG representatives.

Humfilter: A highpass filter which reduces very low frequency noise.

I

iCIF: Interlaced CIF, 352x288 pixels, 50 fields per second

Incoming call: Someone calls in to your system

Incoming MCU Calls: If occupied in a call, the system will provide a visual/audio indication of an incoming call and ask to accept or reject the call.

IP address: Defines the network address of the system. This address is only used in static mode.

IP assignment: IP-address, IP-subnet mask and Gateway are assigned by the DHCP server.

IP assignment Static: The system's IP-address and IP-subnet mask must be specified in the IP-address field.

IP Precedence: Used to define which priority the system should have in the network. Higher numbers indicate higher priority.

IP subnet mask: Defines the type of network. This address is only used in static mode.

IP TOS: IP Type Of Service. Helps a router select a router path when multiple paths are available.

iSIF: Interlaced SIF, 352x240 pixels, 60 fields per second

L

Layout: Use the Layout key to change picture layout on the screen.

M

Main Camera: Your camera. Video input 1

Max call length: This feature will automatically end both incoming and outgoing calls when the call time exceeds the length specified.

Max channels: Indicates the maximum number of channels the system is allowed to use on the E1/T1 interface.

MCU: Multipoint Conference Unit.

MCU status line: Shows indicators for MultiSite, MCU and DuoVideo

MicOff: Microphone is switched off.

Mix mode: How to adjust the weighting of each microphone to obtain the best possible audio and minimize the background noise.

Modem mode: (Dataport) Supports external control of the system via a PC as in Control Mode. Once a call is established, Dataport 1 will automatically switch to Data mode. When the call disconnects, Dataport 1 switches back to Control Mode.

MSN: Multiple Subscriber Number. Possible to attach different ISDN terminals, with different numbers, to the same physical ISDN telephone line. The service can be ordered from the telephone company.

multipoint call: A call with more than two participants including yourself

MultiSite: The TANDBERG systems internal MCU. Built-in system which makes it possible to establish meetings with up to 6 video calls and 5 telephone calls. The MultiSite option is not available on all systems.

MultiSite cascading: By connecting up to 4 or 6 (depending on the system capacity) MultiSite systems together to achieve a higher number of participants in a multipoint call.

N

NAT: Network Address Translation. NAT support in the video communication system enables proper exchange of audio/video data when connected to an external video system when the IP traffic goes through a NAT router. Used in small LANs, often home offices, when a PC and a video communication system is connected to a router with NAT support.

NAT Address: The external/global IP-address to the router with NAT support. Packets sent to the router will then be routed to the system's IP address.

Natural Audio Module™: Designed to improve audio quality during a videoconference. It is mounted in the cabinet above the Codec and consists of an audio system optimized for speech.

Natural Presenter Package: Consists of Duo Video, Digital Clarity and PC Presenter.

Natural Video™: 60 fields per second true interlaced picture.

Near End: In a video conference, Near End means your own side of the conference. Near Camera is your own camera. Opposite to Far End

Network clocking: Specifies the number of physical external clock signals.

Network Interface: Indicates if the network is of type E1 or T1.

Network profiles: It is possible to define up to 6 network profiles, each consisting of name and call prefix, and 3 of them also include network selection.

Non Standard Facility: The network provider may require service selection in your ISDN configuration. Valid NSF codes are from 1 to 31. 0 will disable NSF service codes.

NR: Noise Reduction. Reduces constant background noise (e.g. noise from air-conditioning systems, cooling fans, etc.).

NSF: Non Standard Facility.

NTSC: National Television System Committee. Video standard corresponding to 4SIF. Primary used in USA, Japan and other countries.

O

Option Key: Required by the system to activate optional features such as MultiSite and Presenter.

P

PAL: Phase Alternation by Line. Video standard corresponding to 4CIF. Primary used in Europe, Middle East and Asia

Parallel dial: Channels will be dialed and connected in parallel when setting up a bonding call.

PC PresenterTF: An easily accessible PC connection plug. When connected the PC image is displayed on the monitor.

PC SoftPresenterTF: Shows PC images via the LAN connection.

PIP: Picture-In-Picture

point-to-point call: A call with two participants including your self

POP: Picture Outside Picture. POP is a picture layout mode that is optimized for wide screens: Full screen, 1+3 layout and emulated dual monitor layout.

Precision HD Camera: High Definition camera – delivers high resolution quality video

Presentation: Presentation means to show another video source. Use the Presentation Key for a predefined presentation source. Use the presentation menu to choose among all available video sources.

Presentation source: The video source that is on display when you press the Presentation Key on the remote control

Presets: Predefined camera positions (and video sources)

Q

QCIF: Quarter CIF, 176x144 pixels

QSIF: Quarter SIF, 176x120 pixels

R

Release Floor: To end the request floor function.

release floor to site: Allows the chairman to release the floor.

Remote: Short for Remote Control

Request Floor: The MCU will broadcast the video in full screen to all other participants in the conference. If the MCU conference has a chairman, a request will be sent to the the chairman.

Restart: Restarts the system.

Restore defaults: Restores system settings to the factory defaults.

Restricted call: A call to a 56 kbps network. By default the system will dial an unrestricted call (a call to a 64 kbps network) and downspeed to 56 kbps if necessary.

S

S-VHS: S-video

S-video: The standard camera uses one of the S-video inputs in the codec.

Selfview: Outgoing video. In most cases, the image of your self.

Serial number: A unique number (the hardware serial number, listed in the System Information menu) to identify your system towards your TANDBERG representatives.

Side-by-Side: Side-by-side view means that two pictures are displayed side by side each other on the screen. You will see two equally sized pictures.

SIF: Standard Input Format, 352x240 pixels

SNMP: Simple Network Management Protocol.

SNMP Community: SNMP Community names are used to authenticate SNMP requests. SNMP requests must have a password in order to receive a response from the SNMP agent in the system. The SNMP Community name is case sensitive.

SNMP Trap Host: Identifies the IP-address of the SNMP manager.

SNMP traps: Generated by the agent to inform the manager about important events.

SoftMux: Ensures high reliability and includes the unique Downspeeding feature. It also makes it possible to dial to another video communication equipment, phones and mobile phones in a uniform way, and provides an on-screen, real-time feedback on the progress of a call.

Split Screen: All the participants in a MultiSite conference are displayed on the screen. (Former Continuous Presence)

Start Channel: Indicates the first E1/T1 channel the system is allowed to use. The setting might be used when if the E1/T1 line is shared with other equipment.

Start up video source: The video source that is on display when the system wakes up from standby mode.

Status Format: Provides call quality feedback on the status line.

Streaming: Allows broadcasting of audio/video via an IP network.

Streaming Address: Defined as the IP-address of a streaming client, streaming server or a multicast address.

Streaming Address Port: If several codecs are streaming to the same IP-address, different ports have to be used in order for the client to know which stream to receive.

Streaming Allow remote Start: Streaming can be started from the Video communication system using the remote control, by using the Data port, or from external user interfaces like the Web-browser or Telnet session.

Streaming Announcements: The system will announce to the network that it is streaming. This enables a streaming client (e.g. a PC) to connect to the system's streaming session. Used by Cisco IP/TV.

Streaming Password: Prevents unauthorized access to the streaming functionality.

Streaming Source: Select between local video and/or far end video to be streamed. Local and far end audio is always streamed.

Streaming TTL/Router Hops: Used for streaming data to limit how many routers the data should pass before it is rejected.

Streaming Video Rate: Defines the Video streaming rate from the system.

SVGA: Super VGA. (800x600)

SXGA: Super extended Graphics Array (1280x1024)

System information: Lists system numbers, line status, software version and other useful information.

System name: Identifies a video communication system

T

T1: Network type, 24 channels. Default for NTSC versions.

T1 Line Coding: Indicates how the signals on the line should be coded. If parts of the systems use restricted coding, this should be selected.

Take chair: Request chairmanship of the conference. If no one else is chairman, the request is granted.

TCS-4: Used to address different systems on a LAN when dialing in via a gateway.

Terminal Names: Lists the site numbers or name (if supported) of other sites connected in the conference.

Terminate meeting: The chairman can terminate the conference, i.e. all participants are disconnected.

TMS: TANDBERG Management Suite

Touch Tones: To dial extension numbers etc. during a call, use touch tones in order to get tones instead of preset on the number keys.

Tracker: The tracker is a small infrared remote control device made to steer the camera to any desired location within the room.

TSC-1: TCS-1 is used for H243 password on H320 MCU's

V

VCR: Video Cassette Recorder

VGA: Video Graphics Array. (640 x 480)

VGA Out Quality: Changes the resolution of the VGA signal available in the VGA Out connector at the rear of the codec.

View Settings: Displays all the system settings in a read only format.

View site: View any participant in the conference other than the participant currently On Air. Can be used by all conference participants.

VNC: Virtual Network Computing.

Voice Switched: The active site will be displayed in full screen during a MultiSite conference.

W

WAVE II Camera: Wide Angle View Camera - delivers the widest angle of view in the industry.

Welcome menu: The welcome menu displays the Menu when you are outside a call.

X

XGA: extended Graphics Array (1024 x 768)

9 Index

- A**
- Access Code.....96, 118
 - Add Another Call.....37
 - Additional microphone.....232
 - Administrator Password.....136
 - Alert Speaker.....176
 - Alert Tones and Volume.....176
 - Allowance.....118
 - Answer an incoming Call.....44
 - Assign Floor to Participant.....87
 - Audio
 - Inputs.....166
 - Outputs.....170
 - Audio Algorithm.....155
 - Audio Demo.....108
 - Audio Leveling (AGC).....175
 - AudioScience microphone.....232
 - Auto answer.....115
 - Auto-Display Snapshot.....149
 - Automatic Camera Tracking.....71
- B**
- Battery handling.....v
- C**
- Call Status.....98
 - Camera Presets.....67
 - Camera Tracking Mode.....179
 - Codec.....5
 - Connecting cables.....11
 - Contact us.....ix
- D**
- Default Call Settings.....162
 - Digital Clarity.....159
 - Disconnect Participant.....89
 - Display snapshot.....78, 79
 - Do Not Disturb.....49
 - Document camera.....228
 - Dual Monitor.....236
 - Dual Stream.....77, 144, 145, 147
 - Dual Video Stream.....77, 144, 145, 147
 - Duo Video.....77, 144, 145, 147
 - Duo Video Quality.....159
- E**
- Echo Control.....172
 - EDID.....240
 - Encryption.....187
 - End Call.....45
 - Extra cameras.....231
- F**
- Far End Camera Control.....65
 - Far End Control.....66
- G**
- Gatekeeper.....199
 - Group Layout.....84
- H**
- H.239.....77, 144, 145, 147
 - Hardware serial number.....96
- I**
- Indicators.....31
 - Interfaces.....217
 - IP Address Conflict Check.....105
 - IP Settings.....197
- L**
- Language.....112
 - Layout.....25
 - Letter keys.....28
- M**
- MCU.....91
 - MCU Status Line.....180
 - Menu timeout in call.....129
 - Mic off.....26
 - Microphone.....5, 232
 - MultiSite.....91
 - MultiSite (Built-in).....91
- N**
- Natural Video.....157
 - Navigation.....22
 - Network Profiles.....213
 - Number keys.....28
- P**
- PC Presenter.....75
 - PC Soft Presenter.....76
 - PC SoftPresenter.....76
 - Permissions.....118
 - Phone Book
 - Delete.....59
 - Edit.....58
 - MultiSite.....56
 - New.....55
 - Picture Control.....69
 - PIP Appearance.....150
 - PIP Placing.....150
 - Postpone 1 hour.....47
 - Postpone 3 hours.....48
 - Precision HD Camera.....1, 260
 - Presentation
 - Presentation Key.....73, 147
 - Presentation Menu.....74
 - Presentation Source.....147
 - Presets.....67
 - Production of products.....v

R			
Release Chair	86	Terminate Meeting	90
Release Floor	83	Test Subsystem	99
Release Floor from Participant	87	Text Chat	107
Request Floor	83	Timeout	129
Restart	109	To connect a PC to Dataport 1	214
Restore defaults.....	215	Touch Tones	29
S		V	
Screen Settings	120	Video Algorithm.....	154
Search	62	Video Call.....	36
Selfview	23	Video cassette recorder (VCR).....	229
SIP	203	Video Name	185
Snapshot.....	78, 79	Video Quality.....	159
Snapshot Source	148	View Administrator Settings.....	100
Software Options	125	View Site	88
Start up Video Source	146	VNC Settings	151
Stereo I/O mode	173	Volume + and -	27
Stereo speakers.....	173	W	
Streaming	40	Warnings.....	106
System configuration	13	Waste handling	v
System Information.....	96	WAVE II camera	5, 260
System Name	113	Web Snapshots.....	182
T		Welcome menu	140
Take Chair	86	Welcome Screen.....	17
Take new snapshot	78, 79	X	
Telephone Add-On	235	XGA	120

Free Manuals Download Website

<http://myh66.com>

<http://usermanuals.us>

<http://www.somanuals.com>

<http://www.4manuals.cc>

<http://www.manual-lib.com>

<http://www.404manual.com>

<http://www.luxmanual.com>

<http://aubethermostatmanual.com>

Golf course search by state

<http://golfingnear.com>

Email search by domain

<http://emailbydomain.com>

Auto manuals search

<http://auto.somanuals.com>

TV manuals search

<http://tv.somanuals.com>