

Installation Guide

Network Camera Indoor Use Only

Please read this document before using the product, and save this document for future reference. **Panasonic Network Camera Website:** <http://www.panasonic.com/netcam> for customers in the USA and Puerto Rico

Model No. **BL-C111A** (Wired Type)
BL-C131A (Wireless/Wired Type)

This manual is written for both the BL-C111A (Wired Type) and BL-C131A (Wireless/Wired Type). Available features and operations vary slightly depending on the model. You can confirm the model no. of your camera by checking the model no. printed on the front of the camera.

Please read the included Important Information before proceeding.

Complete Operating Instructions and all other documentation can be found on the included CD-ROM.

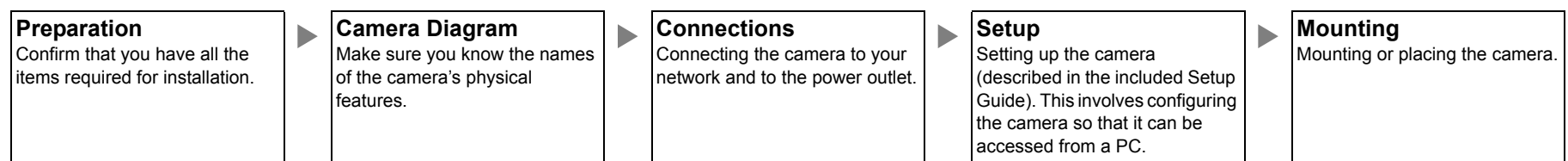
- This document (Installation Guide) explains how to physically connect the camera to the power supply and network, as well how to mount or place the camera for regular use.
- The **Setup Guide** describes how to set up the camera so that it can be accessed using a PC.
- Refer to the **Operating Instructions** on the **CD-ROM** for details regarding the camera's features.
- Refer to the **Troubleshooting Guide** on the **CD-ROM** if you have any problems configuring or using the camera.

Abbreviations

- UPnP is the abbreviation for "Universal Plug and Play".
- The Network Camera is referred to as "the camera" in this document.
- The Setup CD-ROM is referred to as "the CD-ROM" in this document.

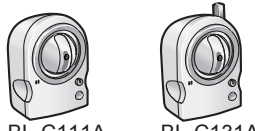

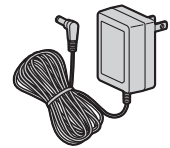



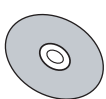
Installation Procedure Overview

The following is an overview of the steps required to install and setup the camera. All steps are explained in this document unless otherwise noted.



Preparation

1. Confirm the following items are included in the camera's packaging.
 - Additional pieces can be ordered by calling 1-800-332-5368.

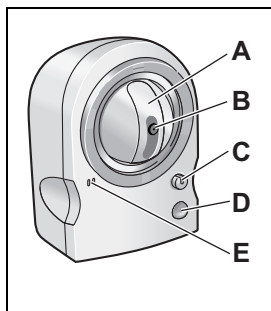
	Main Unit (1 pc.) The appearance of your camera depends on which model you have purchased.		Screw A (2 pcs.) Order No. PQHE5004X Used for wall mounting the camera.
	AC Adaptor (1 pc.) Cord Length: About 3 m (9 feet 10 inches) Order No. PQLV206Y		Screw B (1 pc.) Order No. XTB4+20AFJ Used for securing the safety wire to the wall.
	Safety Wire (1 pc.) Order No. PQME10080Z Used to secure the camera after wall mounting it.		Safety Wire Screw (1 pc.) Order No. PQHD10110Z Used for securing the safety wire to the camera.
	Setup CD-ROM (1 pc.) Order No. PQQX15699ZCD Contains the Setup Program needed to configure the camera, as well as the camera's documentation.* *See the included Important Information for a description of each document.		

2. You will need the following additional items to install and configure the camera.
 - a PC (see the system requirements in the Important Information document)
 - a LAN cable (CAT-5 straight cable)
 - a router

Camera Diagrams

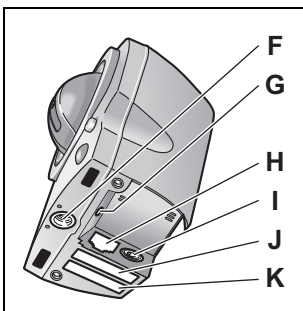
BL-C111A

Front View



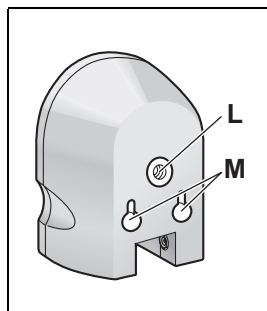
- A Lens housing (pan/tilt mechanism)
- B Lens
- C Indicator^{*1}/ PRIVACY button^{*2}
- D Built-in sensor (pyroelectric infrared sensor)
- E Microphone

Bottom View



- F Tripod mounting hole
- G FACTORY DEFAULT RESET button
- H LAN port
- I DC IN jack
- J MAC address label
- K Serial number label

Rear View

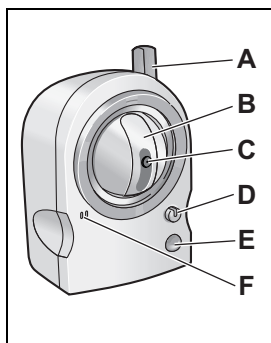


- L Tripod mounting hole
- M Wall mounting holes

*1 See 1.1 Understanding the Camera Indicator in the Troubleshooting Guide on the CD-ROM for indicator meaning.
 *2 See "PRIVACY Button" on page 4 for information about the PRIVACY button.

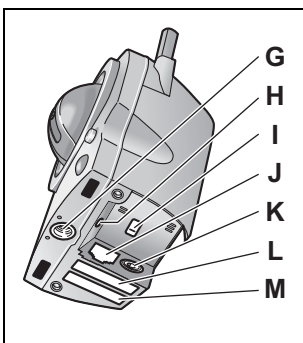
BL-C131A

Front View



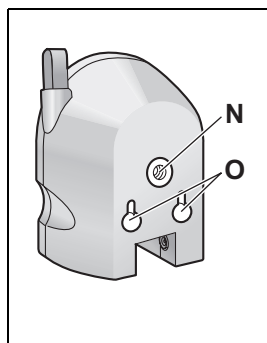
- A Antenna
- B Lens housing (pan/tilt mechanism)
- C Lens
- D Indicator^{*1}/ PRIVACY button^{*2}
- E Built-in sensor (pyroelectric infrared sensor)
- F Microphone

Bottom View



- G Tripod mounting hole
- H FACTORY DEFAULT RESET button
- I WIRELESS/WIRED switch
- J LAN port
- K DC IN jack
- L MAC address label
- M Serial number label

Rear View



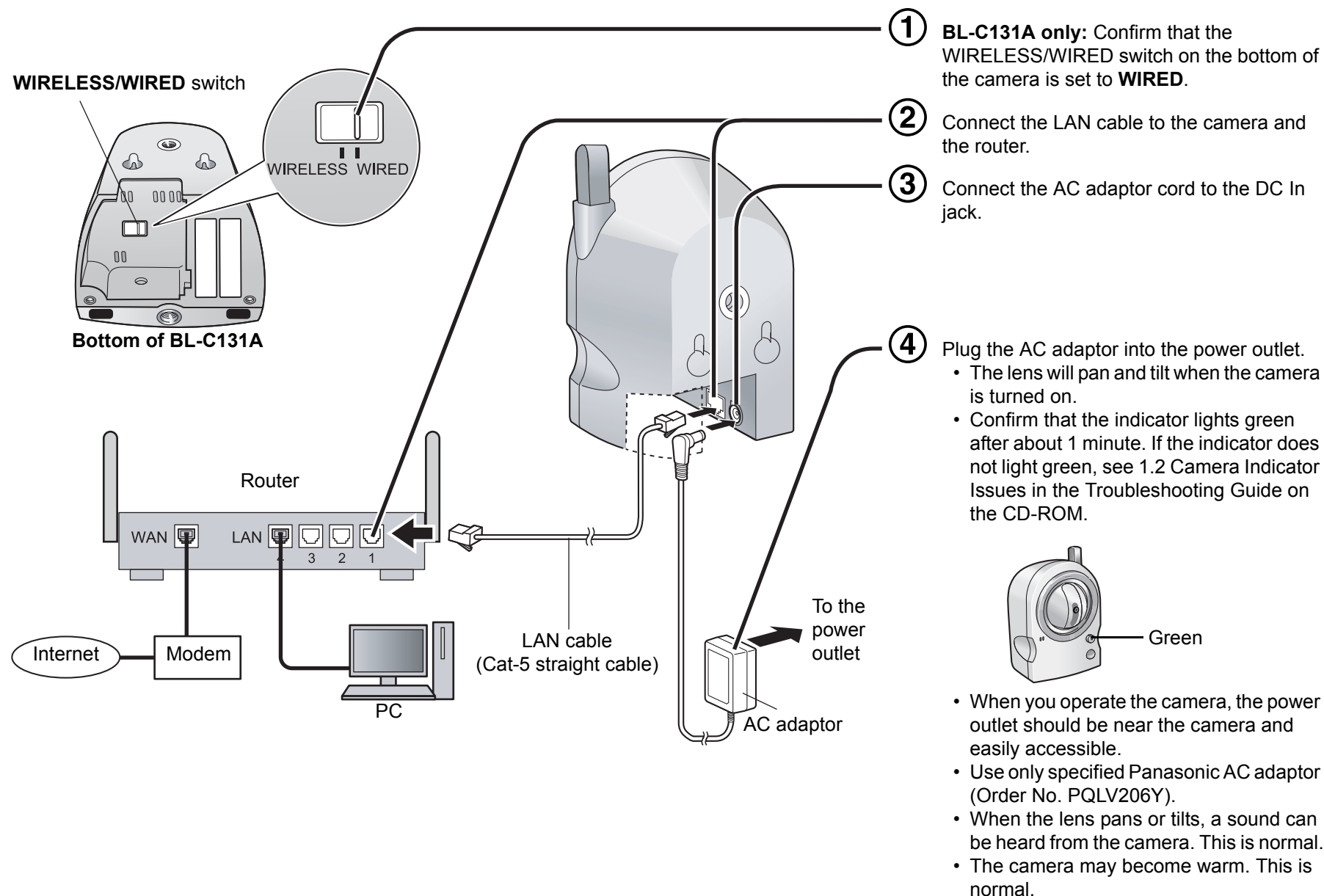
- N Tripod mounting hole
- O Wall mounting holes

*1 See 1.1 Understanding the Camera Indicator in the Troubleshooting Guide on the CD-ROM for indicator meaning.
 *2 See "PRIVACY Button" on page 4 for information about the PRIVACY button.

Connections

Connect the camera to your router and to the power outlet as described below.

- Before proceeding, confirm that your PC is connected to your router and can access the Internet. Also confirm that your router's UPnP™ feature is enabled. (Most routers have UPnP™ turned off by default.) Refer to the operating instructions included with your router or to the Panasonic Network Camera website (<http://panasonic.co.jp/pcc/products/en/netwkcaml/>) for more information.
- The camera illustrations in this document depict the BL-C131A.



After the camera's indicator turns green, you may set up the camera. Continue by following the procedure described in the included Setup Guide.

- If the indicator does not turn green, see 1.2 Camera Indicator Issues in the Troubleshooting Guide on the included CD-ROM.

Choosing a Location to Mount the Camera

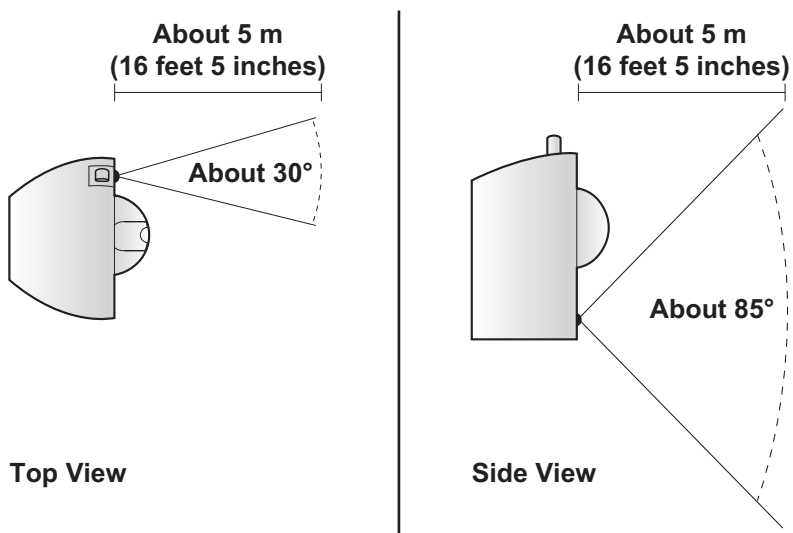
Notes About the Camera's Built-in Sensor

Please read the following information about the camera's built-in pyroelectric infrared sensor before deciding where to mount the camera. Refer to the Panasonic Network Camera website at <http://panasonic.co.jp/pcc/products/en/netwcam/> for further information about the built-in sensor.

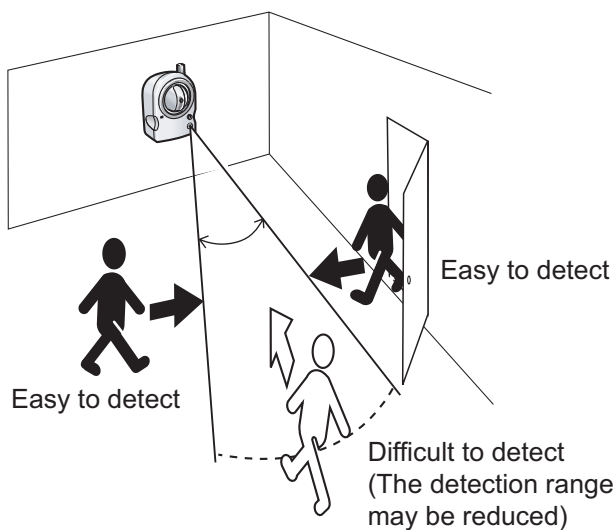
The camera's built-in sensor is a pyroelectric infrared sensor, which means it uses infrared rays to detect temperature differences within its range that are emitted naturally by people, animals, etc. The sensor can be used to trigger the camera to buffer (i.e., temporarily store) camera images in its memory. You can view these images later as desired. The sensor can also be used to trigger the camera to transfer images to someone or somewhere, by FTP, E-mail, or HTTP.

Because the detection range is easily affected by the temperature of the surrounding environment or how fast the objects in front of the camera are moving, you should take the following into consideration when deciding where to mount the camera.

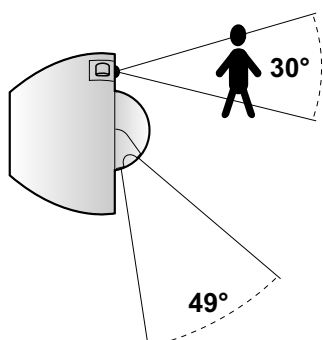
1. The sensor's active detection range is about 5 m (16 feet 5 inches) in front of the camera, about 30° horizontally, and about 85° vertically, when the camera is in a 20 °C (68 °F) environment.



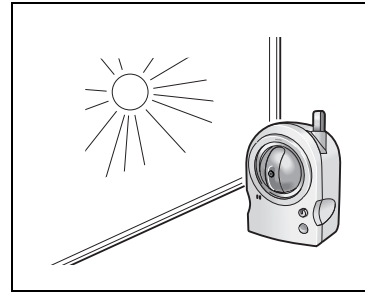
2. If an object is within about 1 m (3 feet 3 inches) of the camera, the sensor may detect the object even if it is outside of the sensor's range.
3. If there is no temperature difference between objects in range of the camera's sensor and the surrounding environment, such as on a hot summer day, the sensor may not be able to detect properly.
4. If the sensor is obstructed, the sensor is not able to make detections. Remove any obstacles in front of the sensor.
5. As shown in the illustration below, the sensor can easily detect temperature differences of objects moving sideways within the detection range, but cannot easily detect objects moving slowly towards the sensor. Mount the camera where objects often pass the camera from the sides.



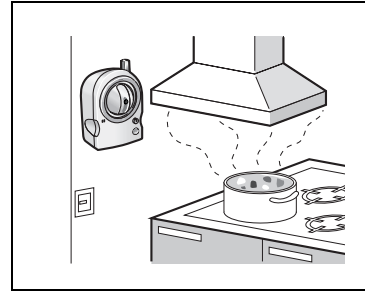
6. If the lens is aimed at an area outside of the sensor's active detection range, the objects that trigger the sensor may not be visible, and therefore buffered or transferred images may not show the object that triggered the sensor. In the example below, the person has triggered the sensor, but the person is not in the visible range of the camera. We recommend that you limit the pan and tilt range of the camera to the active detection range of the sensor, or that you limit other user's access to the pan and tilt features.



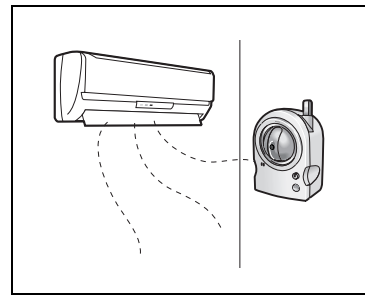
7. The sensor may not perform properly in the following areas. Avoid these kinds of locations when mounting the camera.



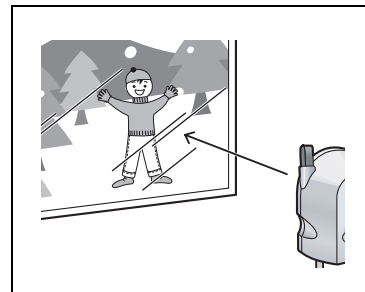
Where the camera or the object is exposed to direct sunlight



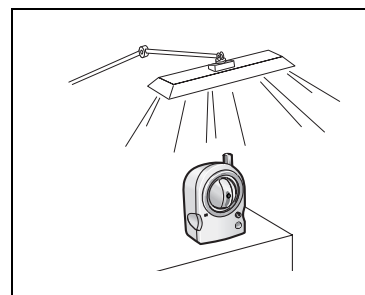
In a greasy or humid place such as a kitchen



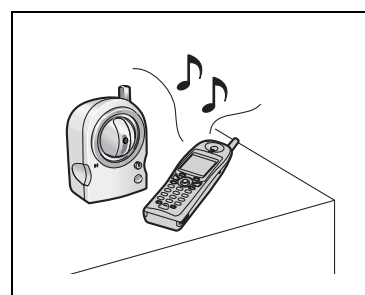
Where there are sharp temperature changes such as near an air conditioner



Where there is an obstacle such as glass in front of the camera



Where the camera or the object is exposed to bright light



Near devices that emit radio waves, such as mobile phones

8. When deciding where to mount the camera, you can verify the sensor's ability to make detections that satisfy your needs by referring to the camera's indicator. See 7.4 Changing the Indicator Display in the Operating Instructions on the CD-ROM, and configure the camera to light the indicator in orange when the sensor makes a detection. You can then adjust the sensitivity of the sensor (see 2.8 Adjusting Sensor Sensitivity in the Operating Instructions on the CD-ROM) or change the camera's location if necessary. Note that if you increase the sensitivity of the sensor, the sensor may make inaccurate detections.

Note

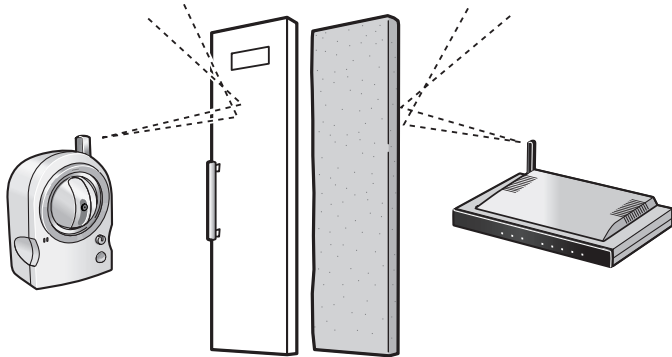
- If you are not satisfied with the sensor's ability to make detections, we recommend using the camera's motion detection feature. This feature detects motion by detecting changes in the camera image. For more information, see Section 2 Using Triggers to Buffer and Transfer Images in the Operating Instructions on the CD-ROM.
- The built-in sensor and the motion detection feature are not designed to be used for security or surveillance. No responsibility will be taken by our company with respect to consequences resulting from the use of these features.

For BL-C131A: Notes About Wireless Communication

The radio wave range may decrease depending on the surrounding environment or existence of obstacles. If obstacles such as the following are placed between a camera and a router, radio waves will weaken. Therefore, even if the distance between the camera and router is short, the frame rate may decrease or images may not be displayed.

- A metallic door or shutter
- A wall with an insulation material that contains aluminum foil
- A wall made of tin
- A wall made of concrete, stone or brick
- Fireproof glass
- Several walls separated by open space
- A steel shelf

In the example below, wireless communication between the camera and the wireless router is impaired due to steel doors or reinforced concrete walls between the camera and the wireless router.



PRIVACY Button

Privacy mode allows you to protect your privacy by hiding the lens inside the camera, preventing camera images from being seen. You can turn privacy mode on by pressing the PRIVACY button on the front of the camera.

When privacy mode is turned on, the PRIVACY button (which also serves as the camera's indicator) changes from green to red to let you know that privacy mode is activated. To turn privacy mode off and allow the camera to be accessed, simply press the PRIVACY button again. It should turn green within a few seconds.

If users are accessing the camera when privacy mode is turned on, the camera image area displayed in their web browsers turns gray. No camera pages can be accessed by users while privacy mode is turned on. Once privacy mode is turned off, users can press the refresh button in their web browsers to view images again.

The camera's administrator can also turn privacy mode on and off using a PC or a mobile phone, and the PRIVACY button itself can be disabled so that privacy mode cannot be turned on or off by pressing the PRIVACY button.

For more information about privacy mode, see 7.5 Privacy Mode in the Operating Instructions on the CD-ROM.

Note

- If you plan on using the PRIVACY button to turn privacy mode on and off, make sure you mount the camera where you can reach the button.

Other Notes

- Camera images can be viewed in relatively dark areas, however, image quality decreases when viewing dark images. We recommend using supplemental lighting for best results.
- Prolonged exposure to direct sunlight or halogen light may damage the camera's optical sensor. Mount the camera appropriately.

Wall Mounting the Camera

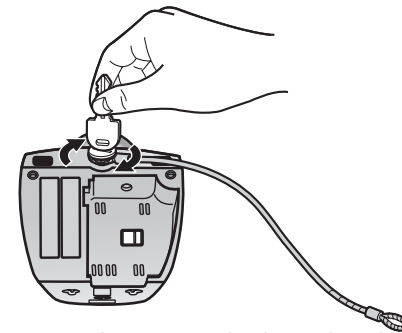
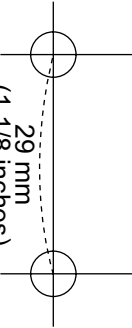
Caution

- Do not drive the screws into a soft material. Drive the screws into a secure area of the wall, such as a column, otherwise the camera may fall and be damaged.
- Make sure you attach the safety wire when mounting the camera, to prevent the camera from falling.

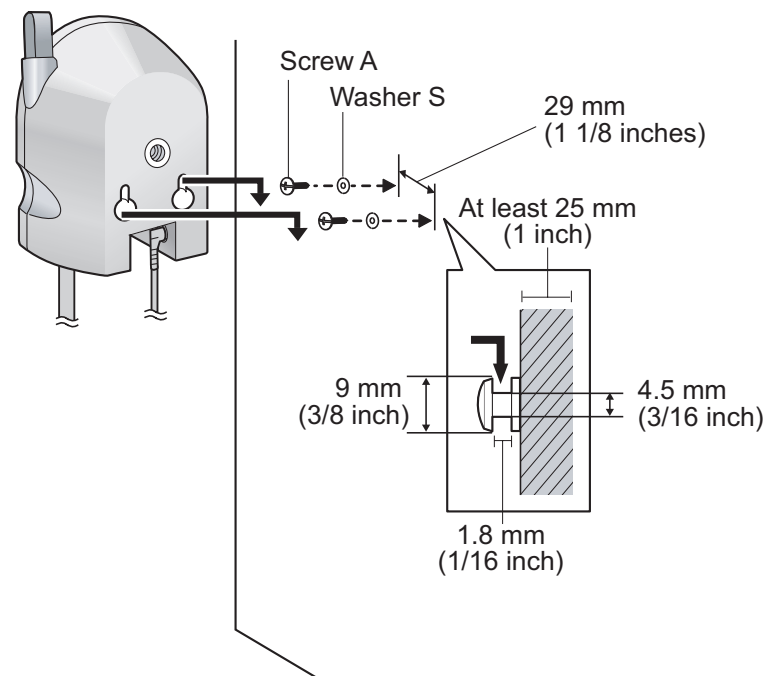
Note

- Use screws that are appropriate for the material of the wall.
- The included screws are for use with wooden walls only.
- The camera is intended for indoor use only and should not be mounted outdoors.
- To ensure that camera images are displayed properly, do not mount the camera on an incline. Mount the camera so that it is perpendicular to the floor. Do not mount the camera upside down.

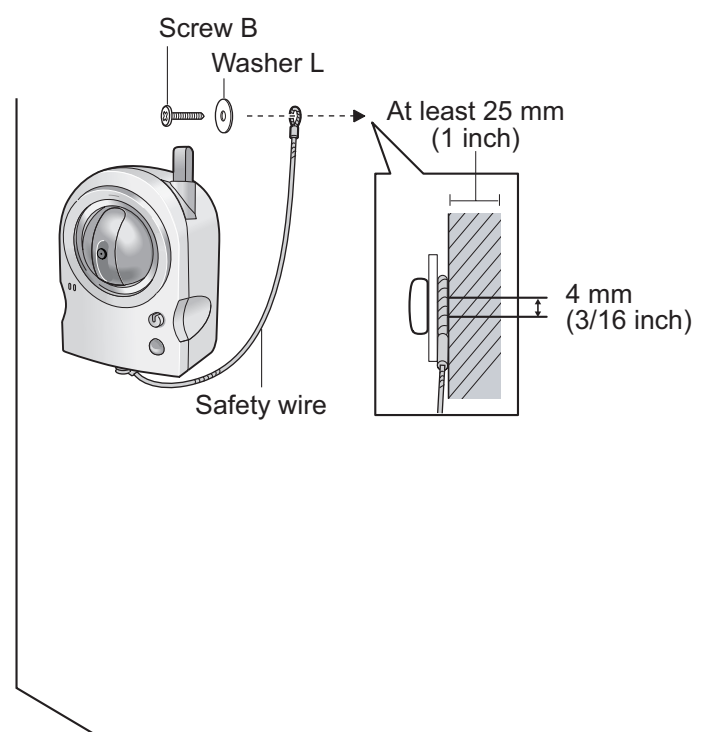
- Using the template on the right as a guide, drive screws A (included) into the wall.
 - Pass each screw A through washer S (included).
 - When driving the screws into the wall, be careful to avoid touching any metalwork (metal/wire laths etc.), conduits, or electrical cables behind the wall.
- Attach the safety wire to the tripod mounting hole on the bottom of the camera using the safety wire screw (included).



- Mount the camera on the screws by inserting the screws into the camera's wall mounting holes, then sliding the camera down until it is secure.
 - Leave 1.8 mm (1/16 inch) of space between the screw heads and the washers, as shown below.



- Secure the safety wire to the wall using screw B (included) and washer L (included).
 - Leave some slack in the safety wire, as shown.



Free Manuals Download Website

<http://myh66.com>

<http://usermanuals.us>

<http://www.somanuals.com>

<http://www.4manuals.cc>

<http://www.manual-lib.com>

<http://www.404manual.com>

<http://www.luxmanual.com>

<http://aubethermostatmanual.com>

Golf course search by state

<http://golfingnear.com>

Email search by domain

<http://emailbydomain.com>

Auto manuals search

<http://auto.somanuals.com>

TV manuals search

<http://tv.somanuals.com>