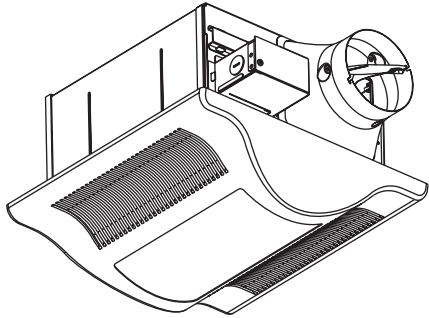


Service Manual

Super Quiet Ventilating Fan/Light Combination



Whisper Fit-Lite™
(North American Market)

FV-05/08/11VFL2

Remark: Because of different structure, we divide this model into Version A & Version B. In Version A, we also divide into Style A & Style B. The change points are mainly refer to the installation method and the cord section. please pay attention when you order these service parts.

SPECIFICATIONS

Model	Air direction	V	Hz	Duct diameter (inches)	Noise (sones)	Power consumption(W)			Speed (rpm)	Air deliver at 0.1"WG (cfm)	Weight lb. (kg)
						Fan body	Lighting unit				
							Fluorescent lamp	Night lamp			
FV-05VFL2	Exhaust	120	60	4	<0.3	16	36	4	700	50	13.5 (6.1)
				3	<0.3	15			760	50	
FV-08VFL2				4	0.5	30	36	4	830	80	13.9 (6.3)
				3	0.6	30			940	70	
FV-11VFL2				4	1.3	33	36	4	910	110	14.1(6.4)
				3	1.5	33			1050	90	

Specifications are based on HVI standard.

⚠ WARNING

This service information is designed for experienced repair technicians only and is not designed for use by the general public. It does not contain warnings or cautions to advise non-technical individuals of potential dangers in attempting to service a product. Products powered by electricity should be serviced or repaired only by experienced professional technicians. Any attempt to service or repair the product or products dealt with in this service information by anyone else could result in serious injury or death.

IMPORTANT SAFETY NOTICE

There are special components used in this equipment which are important for safety. These parts are marked by ⚠ in the Schematic Diagrams, Exploded Views and Replacement Parts List. It is essential that these critical parts should be replaced with manufacturer's specified parts to prevent shock, fire or other hazards. Do not modify the original design without permission of manufacturer.

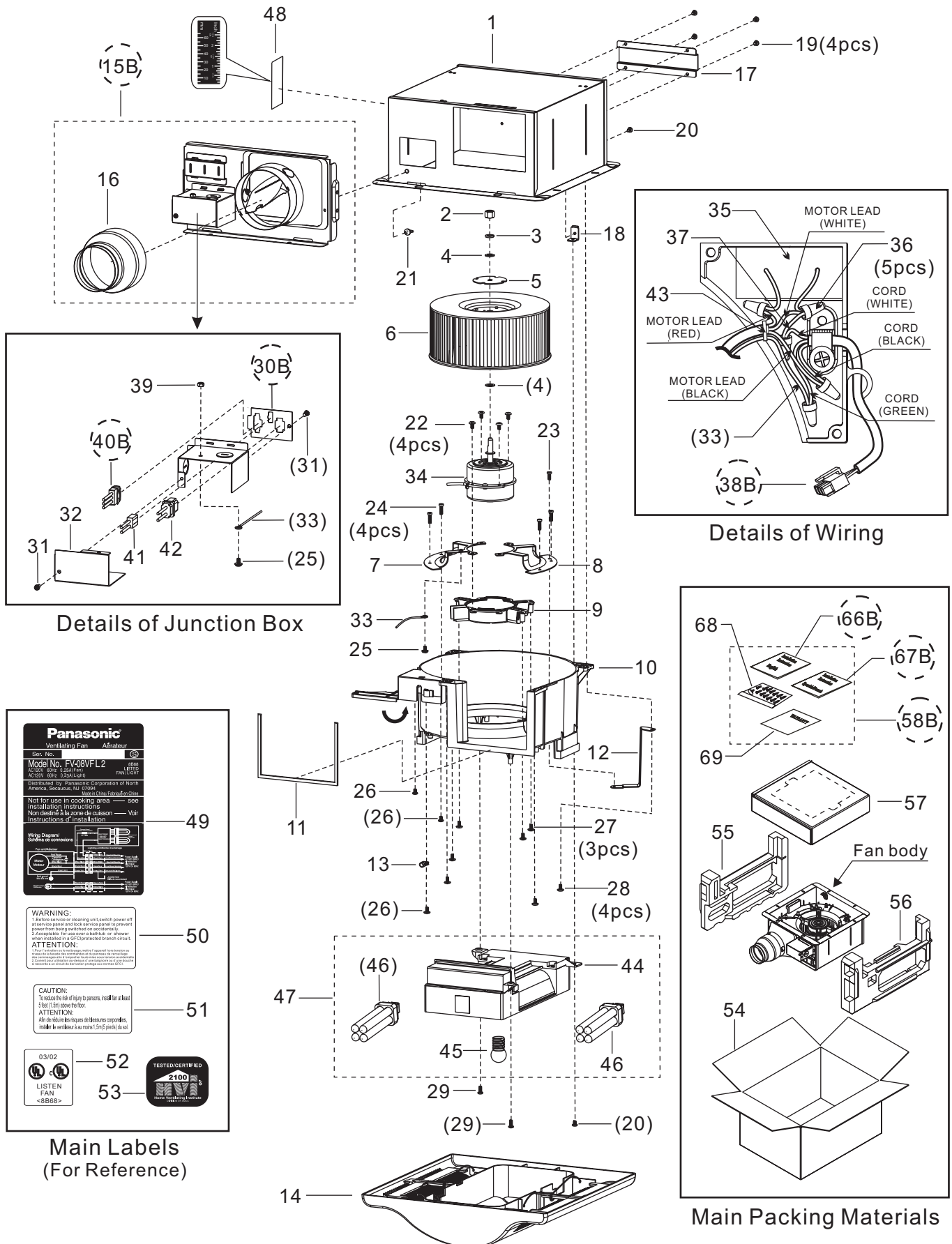
CONTENTS

	PAGE
1 Parts Identification	1~4
2 Wiring Diagram	5
3 Parts List	6~7

Panasonic®

1 Parts Identification

FV-05/08/11VFL2

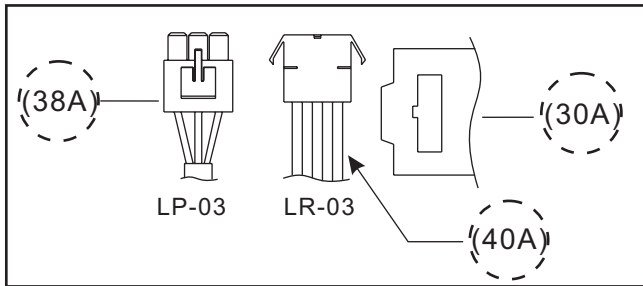
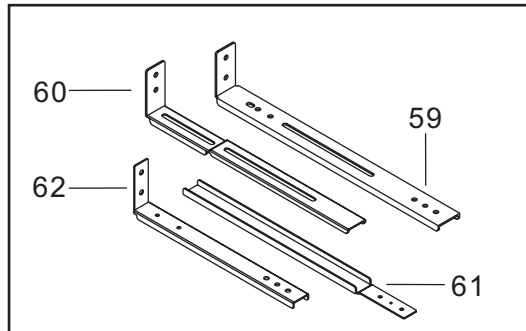


Remark: Please pay attention to the parts which circled with broken line, you can refer to the following 3 pages for details.

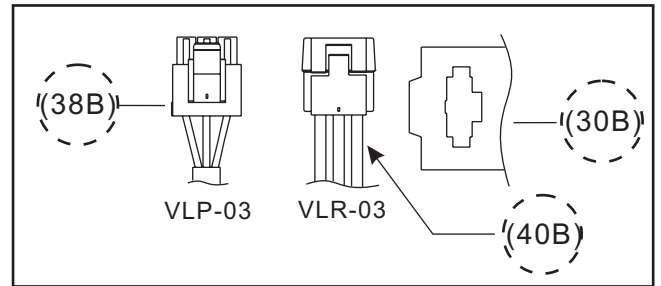
1 Parts Identification

FV-05/08/11VFL2

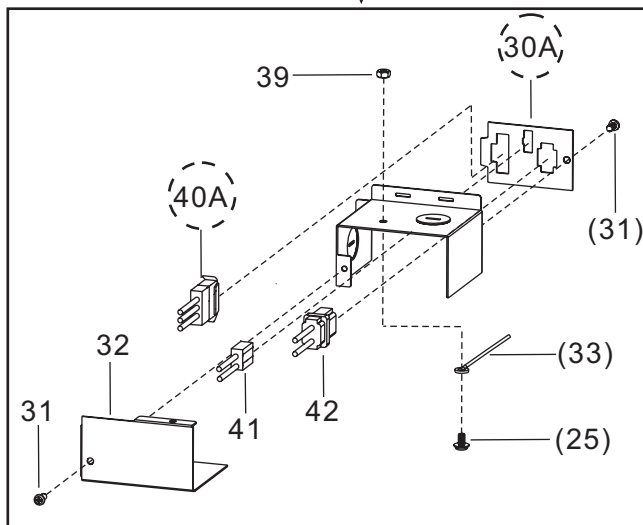
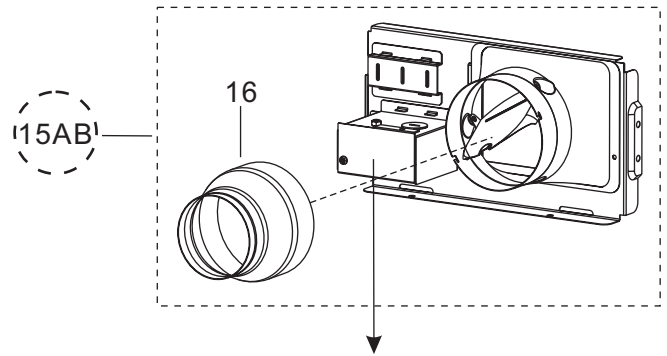
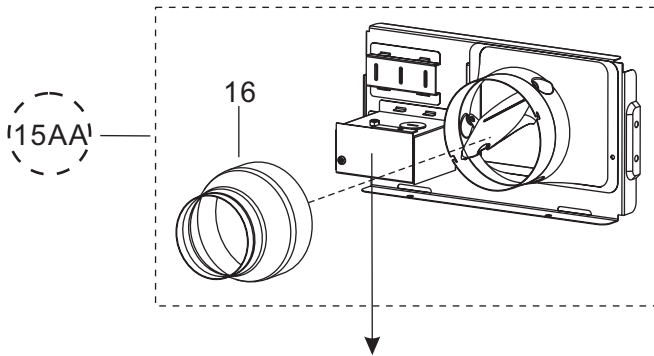
Parts For Version A



Details of Connector Cord

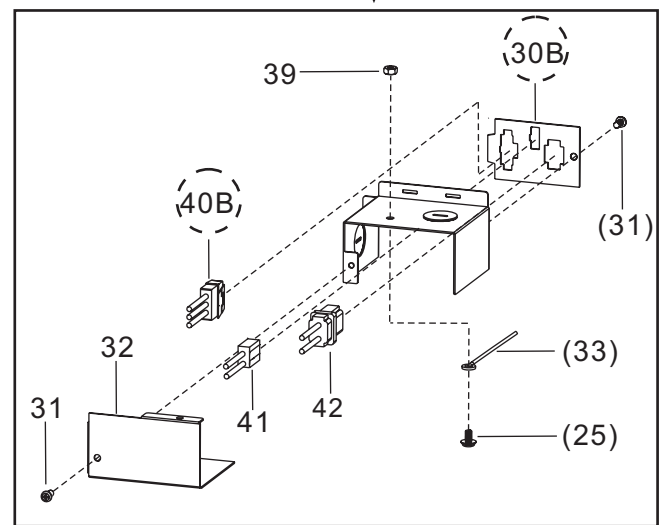


Details of Connector Cord



Details of Junction Box

Style A



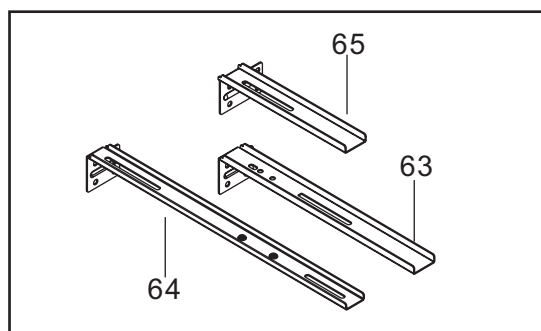
Details of Junction Box

Style B

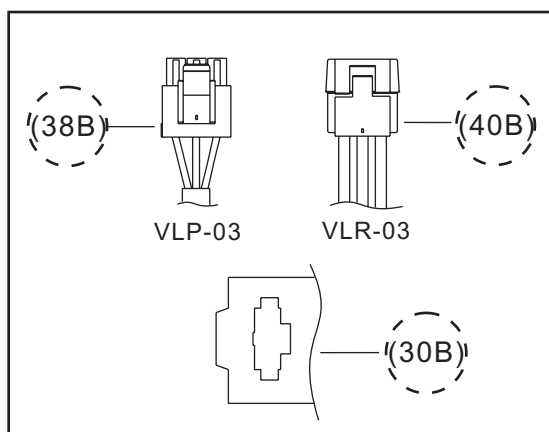
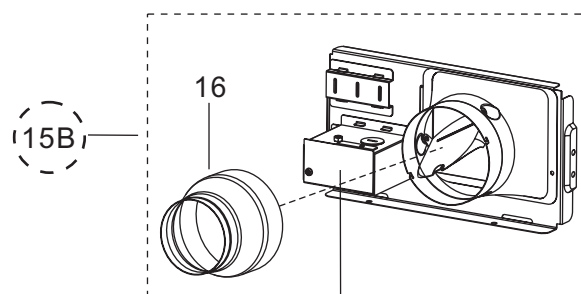
1 Parts Identification

FV-05/08/11VFL2

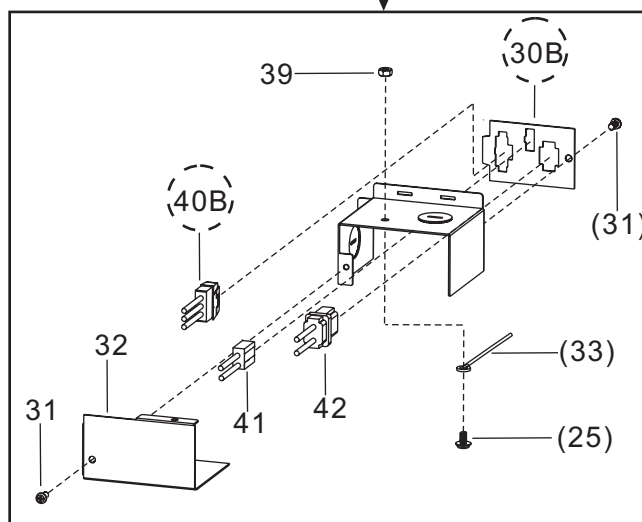
Parts For Version B



Installation Attachment



Details of Connector Cord



Details of Junction Box

List For Parts Differentiation

Part name	Style A of Version A	Style B of Version A	Version B
Cord	38A	38B	38B
Adapter Assy.	15AA	15AB	15B
Connector Plate	30A	30B	30B
Connector Assy.	40A	40B	40B
Accessory Set	58A	58A	58B
Installation Instruction (English)	66A	66A	66B
Installation Instruction (Spanish)	67A	67A	67B

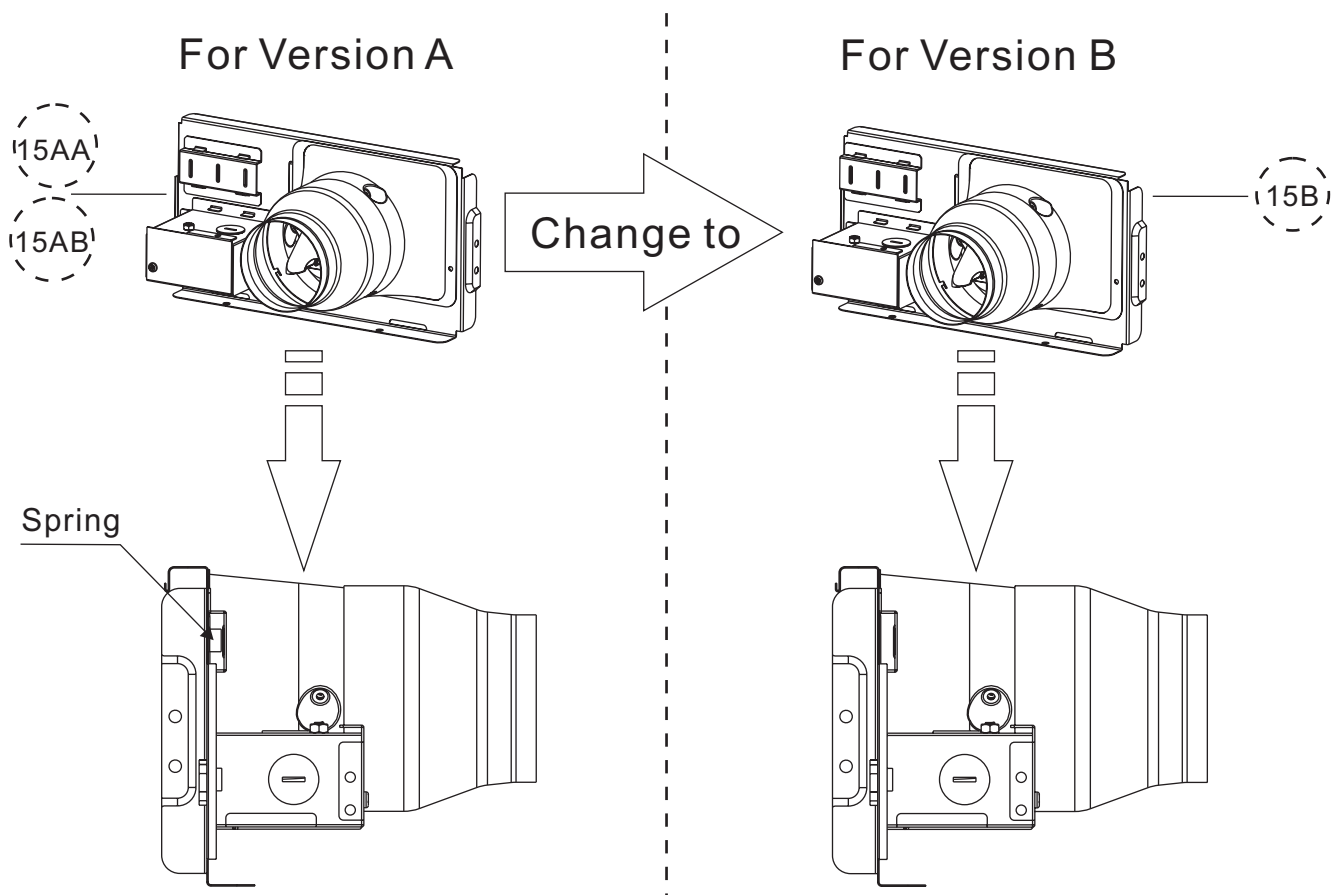
Remarks: For your convenience, we list the differentiation parts above, when you need to order these parts, please judge which version or style is adapt to your machine first. Especially, if you need to order the Adapter Assy., please refer to the following 1 page for details.

1 Parts Identification

FV-05/08/11VFL2

Attention:

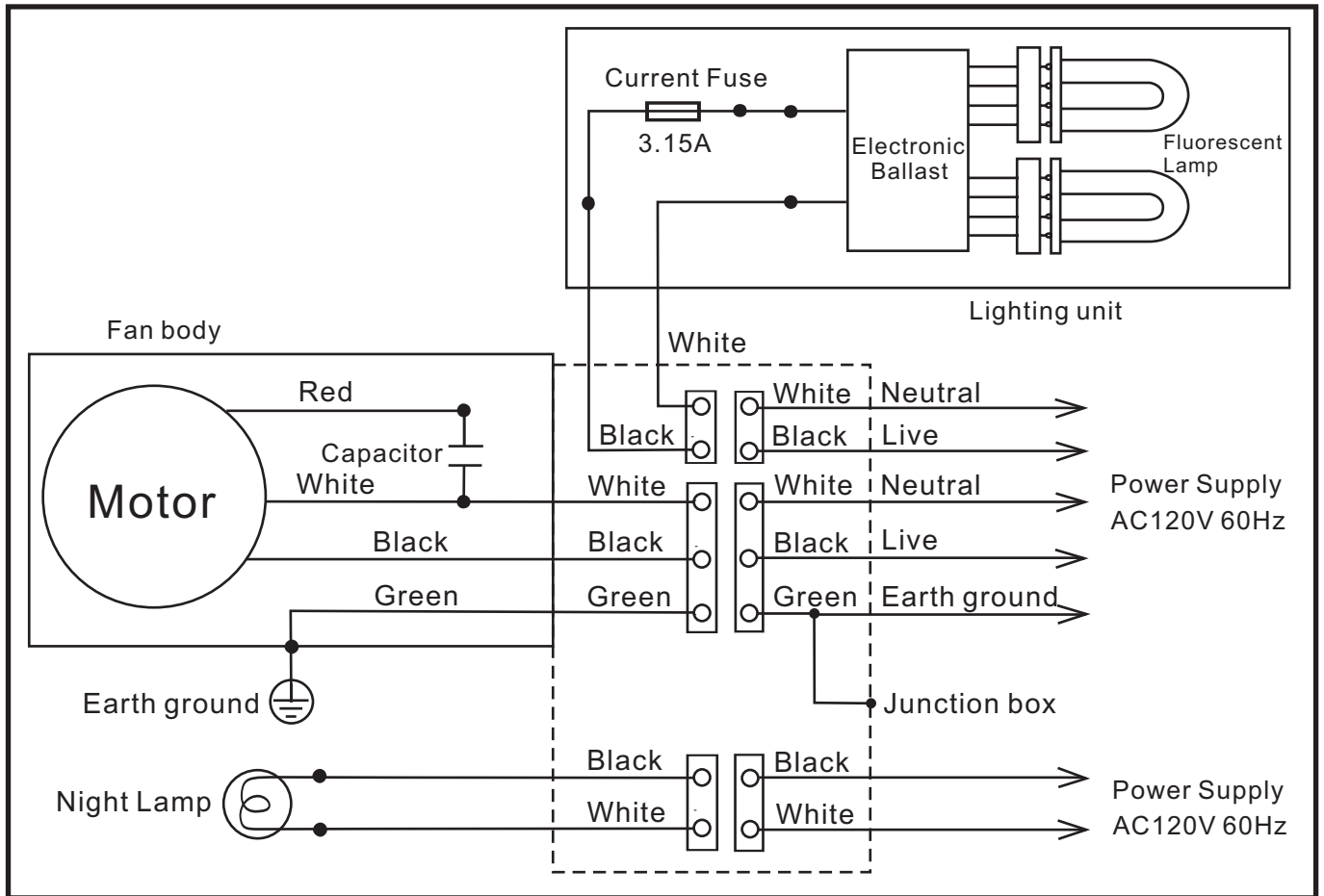
Guide For Adapter Assy. Order



- Notice: 1. In order to adapt the market demand, the Adapter Assy. has been upgraded to Version B, therefore, the Version A part will be provided no longer.
2. If this part in your machine belongs to Version B, you can order the item 15B (Part No.:FFV0000053S) directly.
3. If this part in your machine belongs to Version A, you can order the item 15AA (Part No.:FFV0000070S), or item 15AB (Part No.:FFV0000039S) as usual, then we will not only provide the Version B part, but also provide a set of installation parts to you, those installation parts will be offered free. However, to finish this conversion, you need to re-adjust the installation method.











2 Wiring diagram

FV-05/08/11VFL2











3 Parts List

FV-05/08/11VFL2

No.	Part No.	Part Name	Q'ty	Remark
1	FFV1600064S	Frame Assy.	1	
2	FFV7020018S	Nut	1	For Blade
3	FFV7010026S	Spring Washer	1	For Blade
4	FFV7010025S	Plain Washer	2	For Blade
5	FFV4670002S	Blade Set Plate	1	For Blade
6	FFV0400071S	Blade	1	
7	FFV3730027S	Motor Support 2	1	With Earth Mark
8	FFV3730028S	Motor Support 1	1	
9	FFV3730029S	Motor Support 3	1	
10	FFV0790033S	Casing	1	
11	FFV4610035S	Sponge	1	Sticked On Casing
12	FFV5710020S	Support	1	
13	FFV0740007H	Cord Clip	1	
14	FFV3400068S	Grille Assy.	1	
15AA	FFV0000070S	Adapter Assy.	1	Adapt to Version A,Style A
15AB	FFV0000039S	Adapter Assy.	1	Adapt to Version A,Style B
15B	FFV0000053S	Adapter Assy.	1	For Version B
16	FFV0000038S	Adapter Connector	1	
17	FFV0420024S	Bracket Cover	1	
18	FFV0420016S	Fix Plate	1	
19	FFV7000018S	Truss Tap Screw	4	For Fixing Bracket Cover to Frame Assy.
20	FFV7000011S	Truss Screw	2	For Fixing Fix Plate(1pcs) & Lighting Unit Assy.(1pcs)
21	FFV7040005S	Thumb Screw	1	In Accessory A
22	FFV7000081S	Truss Screw	4	For Fixing Motor Assy. to Motor Support 3
23	FFV7000110S	Flush Head Screw	1	For Fixing Support to Casing
24	FFV7000088S	Flush Head Screw	4	For Fixing Motor Support 1&2 to Casing
25	FFV7030001S	Earth Screw	2	For Fixing Earth Wire 
26	FFV7000097S	Truss Tap Screw	3	For Fixing Capacitor Box Cover(2pcs)& Cord Clip(1pcs)
27	FFV7000111S	Truss Head Screw	3	For Fixing Motor Support 3 to Casing
28	FFV7000080S	Plus Bind Screw	4	For Fixing Casing to Frame Assy.
29	FFV7000106S	Truss PC Screw	2	For Fixing Lighting Unit Assy.,In Accessory Set
30A	FFV0900009S	Connector Plate	1	For Style A
30B	FFV0900014S	Connector Plate	1	For Style B of Version A & Version B
31	FFV7000091S	Pan Tap Screw	2	For Fxing Connector Plate(1pcs) & Junction Cover(1pcs)
32	FFV2800004S	Junctiion Cover	1	
33	FFV3402103S	Earth Wire	2	For Motor Support 2(1pcs) & Junction section(1pcs) 
34	FFV3700215S	Motor Assy.	1	120V 60Hz,For FV-05VFL2 
(34)	FFV3700216S	Motor Assy.	1	120V 60Hz,For FV-08VFL2 
(34)	FFV3700217S	Motor Assy.	1	120V 60Hz,For FV-11VFL2 
35	FFV0750126S	Capacitor	1	220V,1.7uF,For FV-05VFL2 
(35)	FFV0750127S	Capacitor	1	250V,2.4uF,For FV-08VFL2 
(35)	FFV0750128S	Capacitor	1	200V,3.2uF,For FV-11VFL2 
36	FFV0900024S	Connector	5	
37	FFV3400067S	Lead Wire	1	For Wire Connection 

3 Parts List

FV-05/08/11VFL2

No.	Part No.	Part Name	Q'ty	Remark
38A	FFV0730018S	Cord	1	For Style A 
38B	FFV0730022S	Cord	1	For Style B of Version A & Version B 
39	FFV7020015S	Hexagon Nut	1	For Fixing Earth Wire
40A	FFV0900002S	Connector Assy.	1	For Style A 
40B	FFV0900013S	Connector Assy.	1	For Style B of Version A & Version B 
41	FFV0900010S	Connector Assy. N.L	1	For Night Lamp 
42	FFV0900011S	Connector Assy. L	1	For Fluorescent Lamp 
43	FFV0440001S	Binder Tie 1	1	For Fastening Motor Lead & Earth Wire
44	FFV3420008S	Lighting Unit	1	With Mark Label 
45	FFV3420005S	Night Lamp	1	
46	FFV3420007S	Fluorescent Lamp	2	
47	FFV3460002S	Lighting Unit Assy.	1	
48	FFV5720015S	Scale Tape	1	Sticked On Frame Assy.
49	FFV4020254S	Name Plate	1	Sticked On Frame Assy.,For FV-05VFL2
(49)	FFV4020255S	Name Plate	1	Sticked On Frame Assy.,For FV-08VFL2
(49)	FFV4020256S	Name Plate	1	Sticked On Frame Assy.,For FV-11VFL2
50	FFV6730002S	Warning Label	1	Sticked On Frame Assy.
51	FFV0810002S	Caution Label	1	Sticked On Frame Assy.
52	FFV2260003S	Holograph Label	1	Sticked On Frame Assy.
53	FFV2260002S	HVI Mark	1	Sticked On Frame Assy.
54	FFV9000556S	Packing Case Assy.	1	For FV-05VFL2
(54)	FFV9000557S	Packing Case Assy.	1	For FV-08VFL2
(54)	FFV9000558S	Packing Case Assy.	1	For FV-11VFL2
55	FFV4710219S	Left Pad	1	Mark With"L"
56	FFV4710220S	Right Pad	1	Mark With"R"
57	FFV4710205S	Grille Case Assy.	1	For Grille Assy. & Lighting Unit Assy.Packing
58B	FFV0010112S	Accessory Set	1	For USA Market,Use In Version B
(58B)	FFV0010111S	Accessory Set	1	For CA Market,Use In Version B
59	FFV0420001H	Suspension Bracket IV	1	Attachment,Use In Version A
60	FFV5710011S	Suspension Bracket III	1	Attachment,Use In Version A
61	FFV0420015S	Suspension Bracket II	1	Attachment,Use In Version A
62	FFV0420014S	Suspension Bracket I	1	Attachment,Use In Version A
63	FFV5710017S	Suspension Bracket III	1	Attachment,Use In Version B
64	FFV5710018S	Suspension Bracket II	1	Attachment,Use In Version B
65	FFV5710019S	Suspension Bracket I	1	Attachment,Use In Version B
66A	FFV2540014S	Installation Instruction	1	English,Use In Version A
66B	FFV2540035S	Installation Instruction	1	English,Use In Version B
67A	FFV2540015S	Installation Instruction	1	Spanish,Use In Version A
(67B)	FFV2540036S	Installation Instruction	1	Spanish,For USA Market,Use In Version B
(67B)	FFV2540037S	Installation Instruction	1	French,For CA Market,Use In Version B
68	FFV0010077S	Accessory A	1	Included Installation Screws
69	FFV6720003S	Warranty Sheet(USA)	1	For USA Market
(69)	FFV6720002S	Warranty Sheet(CA)	1	For CA Market

Free Manuals Download Website

<http://myh66.com>

<http://usermanuals.us>

<http://www.somanuals.com>

<http://www.4manuals.cc>

<http://www.manual-lib.com>

<http://www.404manual.com>

<http://www.luxmanual.com>

<http://aubethermostatmanual.com>

Golf course search by state

<http://golfingnear.com>

Email search by domain

<http://emailbydomain.com>

Auto manuals search

<http://auto.somanuals.com>

TV manuals search

<http://tv.somanuals.com>