

# SECTION 7

---

---

## Panasonic Broadcast Mechanical Parts List

Model No. : BT-LH1760P/E/MC, BT-LH1710P/E/MC

---

---

Note:

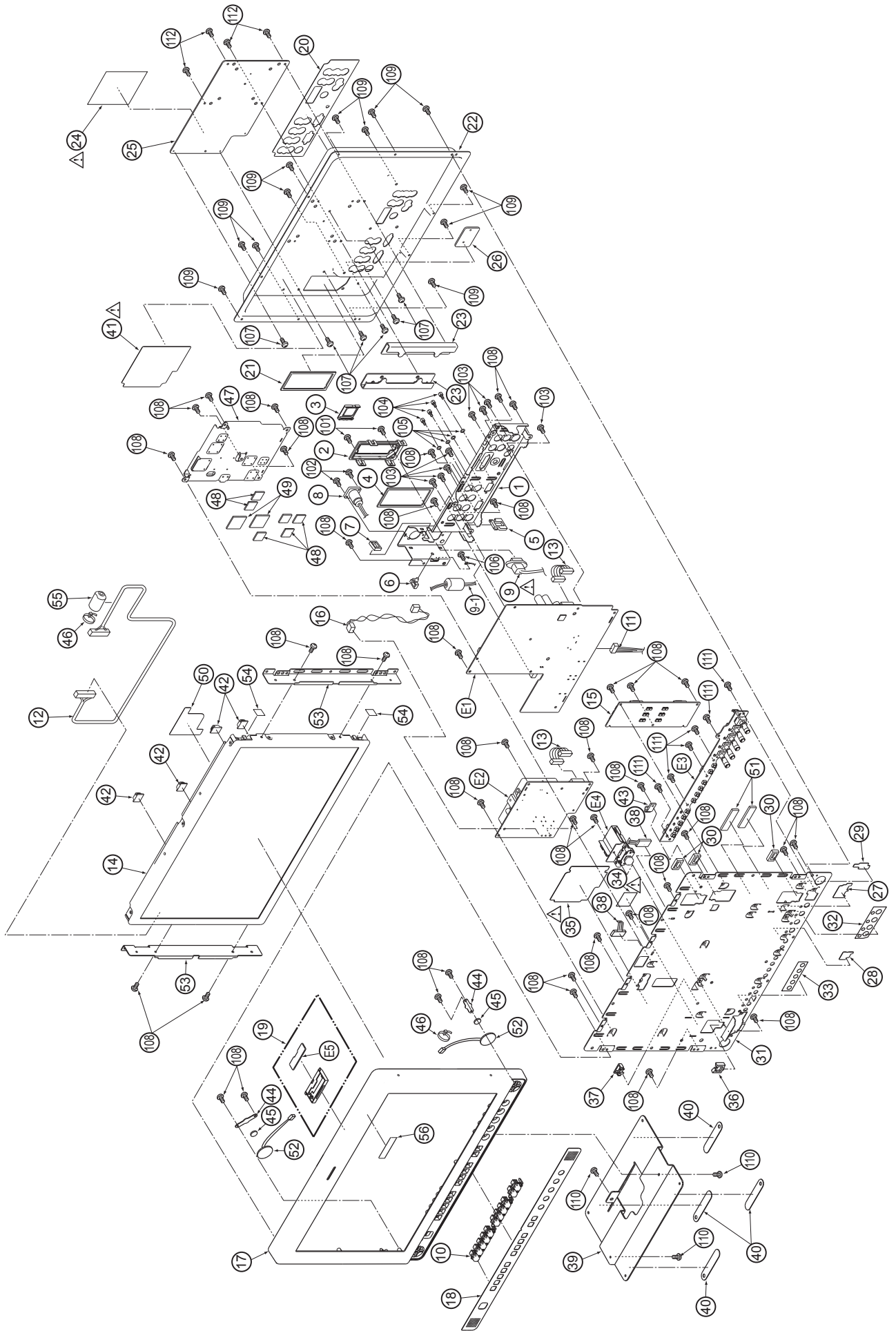
1. \*Be sure to make your orders of replacement parts according to this list.
2. Unless otherwise specified, all resistors are in OHMS, K=1,000 OHMS, all capacitors are in MICROFARADS ( $\mu$ F), P= $\mu$  $\mu$ F.
3. The P.C. Board unit marked with "■" shown below the main assembled parts.
4. The parts marked with ⊕ on the exploded view show the electric parts.
5. IMPORTANT SAFETY NOTICE  
Components identified with the mark  $\Delta$  have the special characteristics for safety. When replacing any of these components, use only the same type.
6. The marking (RTL) indicates the retention time is limited for this item.  
After the discontinuation of this assembly in production, it will no longer be available.
7. "M" in Remark column indicates needed in the periodical maintenance.

## CONTENTS

CASING PARTS ASSEMBLY .....	MPL-1
PACKING PARTS ASSEMBLY .....	MPL-3

# CASING PARTS ASSEMBLY

Components identified with the mark  $\triangle$  have the special characteristics for safety. When replacing any of these components, use only the same type.




MPL-1

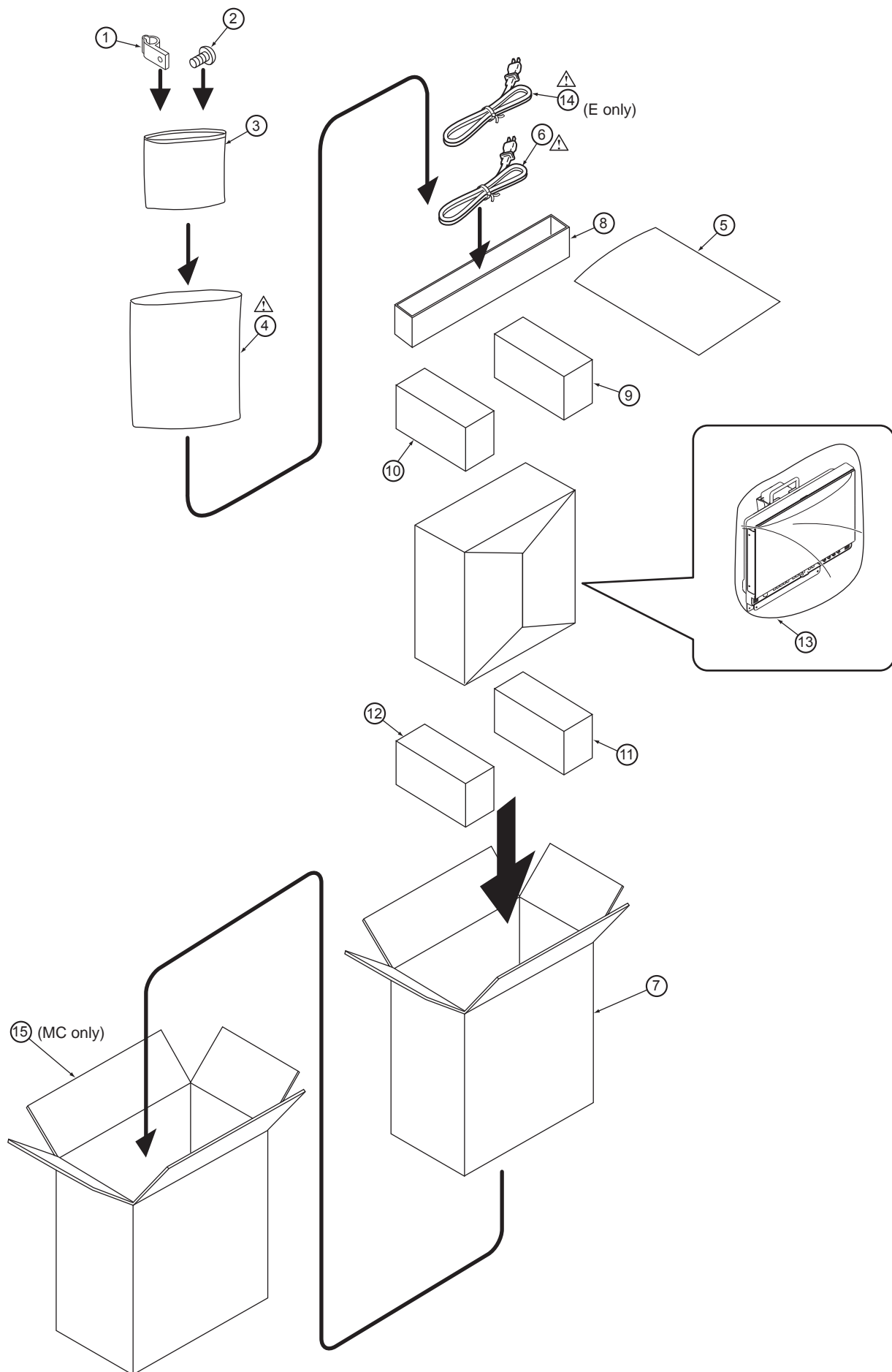
Components identified with the mark  $\Delta$  have the special characteristics for safety.  
When replacing any of these components, use only the same type.

### CASING PARTS ASSEMBLY

Ref.No.	Part No.	Part Name & Description	Pcs	Remarks	Ref.No.	Part No.	Part Name & Description	Pcs	Remarks
1	VMP9081	JACK FRAME	1		101	XSB3+6FJK	SCREW	2	
2	VGP6159	AC DC GUIDE	1		102	XSN26+6FC	SCREW	2	
3	VGP6160	AC DC COVER	1		103	XTB3+8GFJK	SCREW	8	
4	VMT1726	DC/AC CUSHION	1		104	K1YE25000007	INCH LOCK SCREW	4	
5	VJF1007	EDGE GUARD (S)	1		105	XWA26BFN	WASHER	4	
6	VJF0961	LOCKING WIRE SADDLE	1		106	XYN4+E6VW	SCREW	1	
7	VJF1533	EDGE GUARD	1		107	XSB3+3FJK	SCREW	6	
8	VEE1E37	MAIN DC IN WIRE CABLE	1		108	XYN3+J8FJ	SCREW	39	
$\Delta$ 9	VEKOM45	AC INLET	1		109	XSB3+8FJK	SCREW	12	
9-1	JOKG00000011	FERRITE CORE	1		110	XYN4+F10FJK	SCREW	3	
10	VGU9895	OPERATION BUTTON	1		111	XYN3+J6FJK	SCREW	6	
11	VEE1E35	MAIN FRONT WIRE CABLE	1		112	VHD1830	SCREW	4	
12	VEE1E31	MAIN LCD WIRE CABLE	1						
13	VEE1E32	MAIN POWER WIRE CABLE	2						
14	VEKOM67	LCD PANEL U	1	FOR BT-LH1760	E1	VEP18119A	LCD MAIN P. C. BOARD	1	FOR BT-LH1760P/E/MC
14	VEKOM68	LCD PANEL U	1	FOR BT-LH1710	E1	VEP18119B	LCD MAIN P. C. BOARD	1	FOR BT-LH1710P/E/MC
15	NOGE6L000001	HIGH VOLT POWER U	1		E2	VEP11121A	AC POWER P. C. BOARD	1	
16	VEE1E39	POWER SW WIRE CABLE	1		E3	VEP10132A	LCD FRONT P. C. BOARD	1	
17	VGM2277	FRONT CASE	1		E4	VEP10133A	POWER SW P. C. BOARD	1	
18	VGH5027	OPERATION SHEET 1760	1	FOR BT-LH1760	E5	VEP10134A	LCD TALLY P. C. BOARD	1	
18	VGH5028	OPERATION SHEET 1710	1	FOR BT-LH1710					
19	VGL1171	TALLY	1						
20	VGH5026	JACK SHEET	1						
21	VMT1726	DC/AC CUSHION	1						
22	VGM2278	BACK CASE	1						
23	VMP8513	MOUNT ANGLE	2						
$\Delta$ 24	VGN1A30	RATING LABEL	1	FOR BT-LH1760MC					
$\Delta$ 24	VGN1A28	RATING LABEL	1	FOR BT-LH1760P					
$\Delta$ 24	VGN1A29	RATING LABEL	1	FOR BT-LH1760E					
$\Delta$ 24	VGN1A34	RATING LABEL	1	FOR BT-LH1710MC					
$\Delta$ 24	VGN1A32	RATING LABEL	1	FOR BT-LH1710P					
$\Delta$ 24	VGN1A33	RATING LABEL	1	FOR BT-LH1710E					
25	VMP8549	REINFORCEMENT FRAME A	1						
26	VMP8550	REINFORCEMENT FRAME A	1						
27	VMT1909	LIGHT PROTECT SHEET A	1						
28	VMT1910	LIGHT PROTECT SHEET B	1						
29	VMT1911	LIGHT PROTECT SHEET C	1						
30	VJF1565	CLAMP	3						
31	VMP9082	BASE FRAME	1						
32	VMT1908	VR SHEET	1						
33	VMT1915	LED SHEET	1						
$\Delta$ 34	VMZ3621	AC INSULATOR SHEET	1						
$\Delta$ 35	VMZ3769	POWER INSULATOR SHEET	1						
36	VGO1543	EDGE SADDLE	1						
37	VJF0961	LOCKING WIRE SADDLE	1						
38	VJF1539	CLAMPING	2						
39	VMP8508	STAND	1						
40	VMT1796	STAND CUSHION	4						
$\Delta$ 41	VMZ3628	BACK CASE INSULATOR SHEET	1						
42	VJF1539	CLAMPING	4						
43	VJF1500	FG CLAMP	1						
44	VMP8517	SPEAKER FRAME	2						
45	VMT1720	SPEAKER CUSHION	2						
46	VJF1559	PAN TIES PLT. 7M	2						
47	VMP9083	MAIN P RADIATION FRAME	1						
48	VMT1901	COOLING SHEET 17 x 17	6						
49	VMT1902	COOLING SHEET 26 x 26	2						
50	VMZ3771	HARNESS BARRIER	1						
51	VMT1912	COOLING SHEET	2						
52	LOAA02A00088	SPEAKER	2						
53	VMP9080	LCD FRAME	2						
54	VMX3602	SHEET	2						
55	JOKG00000011	FERRITE CORE	1						
56	VQL1T62	120Hz/100Hz LABEL	1	FOR BT-LH1760P/E/MC					

# PACKING PARTS ASSEMBLY

Components identified with the mark  have the special characteristics for safety. When replacing any of these components, use only the same type.



# PACKING PARTS ASSEMBLY

Components identified with the mark  $\Delta$  have the special characteristics for safety. When replacing any of these components, use only the same type.

Ref.No.	Part No.	Part Name & Description	Pcs	Remarks	Ref.No.	Part No.	Part Name & Description	Pcs	Remarks
1	VJF0980	CLAMPER	1						
2	XYN3+F8FN	SCREW	1						
3	VPF1016	POLYETHYLENE PAG	2						
$\Delta$ 4	VQT1R47	OPERATIONG INSTRUCTIONS	1	FOR BT-LH1760P					
$\Delta$ 4	VQT1R48	OPERATIONG INSTRUCTIONS	1	FOR BT-LH1760E					
$\Delta$ 4	VQT1R49	OPERATIONG INSTRUCTIONS	1	FOR BT-LH1760MC					
$\Delta$ 4	VQT1Z04	OPERATIONG INSTRUCTIONS	1	FOR BT-LH1710P					
$\Delta$ 4	VQT1Z05	OPERATIONG INSTRUCTIONS	1	FOR BT-LH1710E					
$\Delta$ 4	VQT1Z06	OPERATIONG INSTRUCTIONS	1	FOR BT-LH1710MC					
5	VPF0681	POLYETHYLENE PAG	1						
$\Delta$ 6	VJA1170	POWER CORD	1	FOR BT-LH1760P/LH1710P					
$\Delta$ 6	K2CL2CH00001	POWER CORD	1	FOR BT-LH1760E/LH1710E					
$\Delta$ 6	K2CK3CH00001	POWER CORD	1	FOR BT-LH1760MC/LH1710MC					
7	VP61X41	PACKING CASE	1	FOR BT-LH1760P					
7	VP61X43	PACKING CASE	1	FOR BT-LH1760E					
7	VP61X39	PACKING CASE	1	FOR BT-LH1760MC/LH1710MC					
7	VP61X46	PACKING CASE	1	FOR BT-LH1710P					
7	VP61X48	PACKING CASE	1	FOR BT-LH1710E					
8	VP61F29	ACCESSORY BOX	1						
9	VPN6369	CUSHION (RT)	1						
10	VPN6370	CUSHION (LT)	1						
11	VPN6371	CUSHION (RB)	1						
12	VPN6372	CUSHION (LB)	1						
13	VPF0671	PROTECT BAG	1						
14	K2CT3CH00002	POWER CORD (WITH PLUG)	1	FOR BT-LH1760E/LH1710E					
15	VP61X44	PACKING CASE (OUT)	1	FOR BT-LH1760MC					
15	VP61X49	PACKING CASE (OUT)	1	FOR BT-LH1710MC					

## Free Manuals Download Website

<http://myh66.com>

<http://usermanuals.us>

<http://www.somanuals.com>

<http://www.4manuals.cc>

<http://www.manual-lib.com>

<http://www.404manual.com>

<http://www.luxmanual.com>

<http://aubethermostatmanual.com>

Golf course search by state

<http://golfingnear.com>

Email search by domain

<http://emailbydomain.com>

Auto manuals search

<http://auto.somanuals.com>

TV manuals search

<http://tv.somanuals.com>