



Panasonic®

Operating Instructions
Manuel d'utilisation
Instrucciones de funcionamiento
Manual de instruções

ENGLISH

FRANÇAIS

ESPAÑOL

PORTUGUÊS

Before connecting, operating or adjusting this product, please read the instructions completely. Please keep this manual for future reference.

Dear customer

Thank you for purchasing this product.
For optimum performance and safety, please read the instructions carefully.

Avant de raccorder, régler ou utiliser l'appareil, il est recommandé de lire attentivement le manuel d'utilisation. Conserver ce manuel.

Cher client

Nous vous remercions d'avoir arrêté votre choix sur cet appareil.
Pour en tirer un rendement optimal, lire attentivement le présent manuel.

Antes de conectar, operar o ajustar este producto, sírvase leer estas instrucciones completamente. Guarde este manual.

Estimado cliente

Muchísimas gracias por haber adquirido este producto.
Lea con atención estas instrucciones para obtener las máximas prestaciones y seguridad.

Antes de ligar, utilizar ou regular este produto, leia com cuidado estas instruções até ao fim. Guarde o manual para consultas futuras.

Caro cliente

Obrigado por ter adquirido este produto.
Para melhor desempenho e segurança, leia estas instruções com cuidado.

Digital Wireless Surround Headphones Casque d'écoute ambiophonique sans fil numérique Auriculares inalámbricos digitales de sonido ambiental Fones de ouvido surround digital sem fio

Model No. / N° de modèle / **RP-WF6000**
No Modelo. / No Modelo.


- ENGLISH See pages 2-17, 66-67 and back cover
- FRANÇAIS Voir les pages 18 à 33, 67 et la couverture arrière
- ESPAÑOL Consulte las páginas 34-49
- PORTUGUÊS Veja as páginas 50-65



PP

RQT8948-1Y

Supplied Accessories

 Please check and identify the supplied accessories.

Use numbers indicated in parentheses when asking for replacement parts. "As of December 2006"

(Only for U.S.A.)

To order accessories contact 1-800-332-5368 or the website (<http://www.pstc.panasonic.com>).

- AC adaptor 1 (RFX5726)
- AC adaptor cord 1 (K2CB2CB00018)
- Dedicated nickel-metal hydride rechargeable battery 1 (RP-BP6000)
- Optical digital cable 1 (Approximately 2 meters (6.6 ft.)) (K7CXJFA00001)



The shape of replacement parts may differ.

Table of contents

| | |
|---|----|
| Features | 2 |
| IMPORTANT SAFETY INSTRUCTIONS | 3 |
| Precautions | 4 |
| Control reference guide | 4 |
| Transmitter's front panel | 4 |
| Transmitter's rear panel | 5 |
| Headphones | 5 |
| Power supply preparations: Headphones | 6 |
| Using the rechargeable battery (supplied)..... | 6 |
| Using alkaline dry cell batteries (not included) | 8 |
| Connections | 9 |
| Connecting digital equipment | 9 |
| Connecting analog equipment | 10 |
| Placement of transmitter and headphones | 11 |
| Listening caution | 11 |
| Listening to audio from equipment connected to the transmitter | 12 |
| Selecting the surround field | 14 |
| Maintenance | 14 |
| Troubleshooting guide | 15 |
| Specifications | 17 |

The model number and serial number of this product can be found on either the back or the bottom of the unit.

Please note them in the space provided below and keep for future reference.

MODEL NUMBER RP-WF6000

SERIAL NUMBER _____

User memo:

DATE OF PURCHASE _____

DEALER NAME _____

DEALER ADDRESS _____

TELEPHONE NUMBER _____

Product service

Do not attempt to remove the cover(s) or repair the unit yourself. Refer servicing to qualified personnel only.

Product information

For product service, product information or assistance with product operation, refer to the servicenter directory. (pages 66 to 67)

Features

The RP-WF6000 is a digital wireless surround headphones system using the 2.4 GHz radio frequency band for digital transmission.

You can enjoy multi-channel surround sound when you listen with the headphones.

- The headphones are compatible with Dolby Digital, Dolby Pro Logic II, DTS, Dolby Digital Surround EX and DTS-ES.
 - The headphones are compatible with the MPEG-2 AAC audio format.
 - The headphones use non-compressed digital wireless transmission that provides sound quality equal to a CD and is resistant to external noise.
 - The "Personal Surround" technology developed by Panasonic and the large diameter, high quality Φ 50 mm (1-15/16 in.) driver unit mean you can enjoy the powerful presence of surround audio from these headphones.
 - The headphones have a reception range of up to approximately 30 meters (98.4 ft.). This range differs depending on the conditions under which the headphones are used.
 - The headphones are charged by simply placing them on the transmitter. (3 hours quick charge)
 - The headphones can be placed on the transmitter in 2 different ways. (The battery can be charged in both positions).
 - This unit has 2 OPTICAL DIGITAL IN terminals and 1 OPTICAL DIGITAL OUT (pass-through) terminal.
 - If no audio signal is input for more than approximately 5 minutes, the radio waves being emitted from the transmitter automatically stop to save power consumption.
 - The headband has a free adjusting mechanism eliminating the need for headband adjustment.
 - The headphones have an AUTO POWER ON/OFF function which automatically turns on the power when the headphones are put on and turns it off when the headphones are removed.
 - A single volume control adjusts both the right and left volume of the headphones.
 - The headphones are powered by either the supplied nickel-metal hydride rechargeable battery or "LR6, AA" alkaline dry cell batteries (not included).
 - The MUTING function cuts noise if the headphones are used outside their effective range.
 - The headphones are comfortable to wear as they use a velvety material that is soft and breathes well.
- This transmitter has a DTS decoder, Dolby Digital decoder, a Dolby Pro Logic II decoder and a MPEG-2 AAC decoder.

Manufactured under license from Digital Theater Systems, Inc. U.S. Pat. No's. 5,451,942; 5,956,674; 5,974,380; 5,978,762; 6,487,535 and other U.S. and world-wide patents issued and pending. "DTS" and "DTS Virtual" are trademarks of Digital Theater Systems, Inc. Copyright 1996, 2003 Digital Theater Systems, Inc. All Rights Reserved.

Manufactured under license from Dolby Laboratories. Dolby, Pro Logic and the double-D symbol are trademarks of Dolby Laboratories.

IMPORTANT SAFETY INSTRUCTIONS

Read these operating instructions carefully before using the unit. Follow the safety instructions on the unit and the applicable safety instructions listed below. Keep these operating instructions handy for future reference.

- 1) Read these instructions.
- 2) Keep these instructions.
- 3) Heed all warnings.
- 4) Follow all instructions.
- 5) Do not use this apparatus near water.
- 6) Clean only with dry cloth.
- 7) Do not block any ventilation openings. Install in accordance with the manufacturer's instructions.
- 8) Do not install near any heat sources such as radiators, heat registers, stoves, or other apparatus (including amplifiers) that produce heat.
- 9) Do not defeat the safety purpose of the polarized or grounding-type plug. A polarized plug has two blades with one wider than the other. A grounding-type plug has two blades and a third grounding prong. The wide blade or the third prong are provided for your safety. If the provided plug does not fit into your outlet, consult an electrician for replacement of the obsolete outlet.
- 10) Protect the power cord from being walked on or pinched particularly at plugs, convenience receptacles, and the point where they exit from the apparatus.
- 11) Only use attachments/accessories specified by the manufacturer.
- 12) Use only with the cart, stand, tripod, bracket, or table specified by the manufacturer, or sold with the apparatus. When a cart is used, use caution when moving the cart/apparatus combination to avoid injury from tip-over.
- 13) Unplug this apparatus during lightning storms or when unused for long periods of time.
- 14) Refer all servicing to qualified service personnel. Servicing is required when the apparatus has been damaged in any way, such as power-supply cord or plug is damaged, liquid has been spilled or objects have fallen into the apparatus, the apparatus has been exposed to rain or moisture, does not operate normally, or has been dropped.



WARNING:

TO REDUCE THE RISK OF FIRE, ELECTRIC SHOCK OR PRODUCT DAMAGE, DO NOT EXPOSE THIS APPARATUS TO RAIN, MOISTURE, DRIPPING OR SPLASHING AND THAT NO OBJECTS FILLED WITH LIQUIDS, SUCH AS VASES, SHALL BE PLACED ON THE APPARATUS.

CAUTION!

DO NOT INSTALL OR PLACE THIS UNIT IN A BOOKCASE, BUILT-IN CABINET OR IN ANOTHER CONFINED SPACE. ENSURE THE UNIT IS WELL VENTILATED. TO PREVENT RISK OF ELECTRIC SHOCK OR FIRE HAZARD DUE TO OVERHEATING, ENSURE THAT CURTAINS AND ANY OTHER MATERIALS DO NOT OBSTRUCT THE VENTILATION VENTS.

The socket outlet shall be installed near the equipment and easily accessible. The mains plug of the power supply cord shall remain readily operable. To completely disconnect this apparatus from the AC Mains, disconnect the power supply cord plug from AC receptacle.

Marking sign is located on bottom of the unit.

THE FOLLOWING APPLIES ONLY IN THE U.S.A. AND CANADA

A nickel metal hydride battery that is recyclable powers the product you have purchased. Please call 1-800-8-BATTERY for information on how to recycle this battery.



AC adaptor

This AC adaptor operates on AC between 100 V and 240 V.

BUT

- In the U.S.A. and Canada, the AC adaptor must be connected to a 120 V AC power supply only.
- When connecting to an AC supply outside of the U.S.A. or Canada, use a plug adaptor to suit the AC outlet configuration.
- When connecting to a supply of greater than AC 125 V, ensure the cord you use is suited to the voltage of the AC supply and the rated current of the AC adaptor.
- Contact an electrical parts distributor for assistance in selecting a suitable AC plug adaptor or AC cord set.

CAUTION

Danger of explosion if battery is incorrectly replaced. Replace only with the same or equivalent type recommended by the manufacturer. Dispose of used batteries according to the manufacturer's instructions.

-If you see this symbol-

Information on Disposal in other Countries outside the European Union



This symbol is only valid in the European Union. If you wish to discard this product, please contact your local authorities or dealer and ask for the correct method of disposal.

Precautions

AC adaptor

Handle the AC adaptor carefully. Improper handling is dangerous.

- Do not touch it with wet hands.
 - Do not place heavy objects on top of it.
- Be sure to use the supplied AC adaptor.

Batteries

- The rechargeable battery can be recharged about 300 times. If its operating time becomes extremely short, you should replace it.
 - Do not mix old and new batteries or different types of batteries.
 - Do not heat the batteries or expose them to flames.
 - Do not recharge ordinary dry cell batteries.
 - Remove the battery if the unit is not to be used for a long time.
 - Carry and store the rechargeable batteries in the battery carrying case to prevent contact with metal objects.
 - Do not peel off the covering on batteries and do not use if the covering has been peeled off.
- Mishandling of batteries can cause electrolyte leakage which can damage items the fluid contacts and may cause a fire.

The unit

This unit uses the 2.4 GHz radio frequency band. However other wireless equipment may use the same frequency. Be sure to take note of the following to prevent radio wave interference from other equipment.

■ Restriction of use

For use only in your country.

■ Range of use

The range of use is up to approximately 30 m (98.4 ft.). The range may be less depending on the structure of the building, the environment and any obstacles between the headphones and the transmitter. Such obstacles as reinforced concrete walls and metal doors, in particular, obstruct the transmitter's signals.

■ Interference from other equipment

Due to radio interference, malfunctions such as sound distortion may occur if the unit is placed too close to other equipment. We recommend keeping the unit as far away as possible from the following devices.

Bluetooth devices, wireless LAN, microwaves, office automation devices, digital cordless telephones and other electronic devices

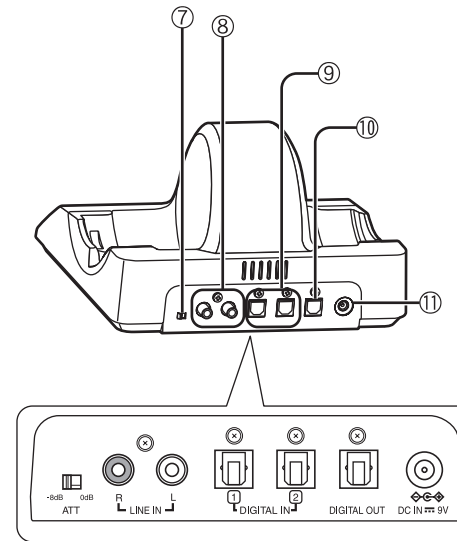
The unit is designed to automatically avoid radio interference from these household devices. However the sound will be broken when radio interference occurs. In this case reset the most appropriate frequency (page 14 [Setting the most appropriate frequency]).

■ Using the unit

- Do not drop, hit or otherwise subject the transmitter or headphones to strong shocks of any kind. This may damage them.
- Do not expose the unit to water or other liquids as it may damage it.

Control reference guide

Transmitter's rear panel

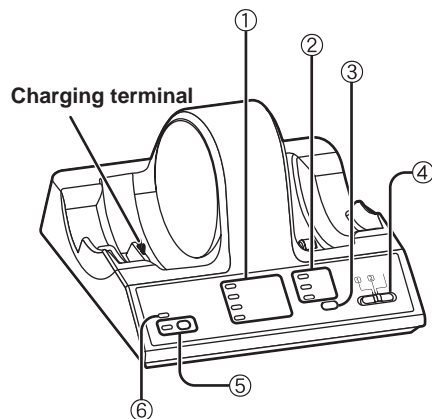


- 7 **ATT control** (page 10)
Switch to [0 dB] when sound from an analog input is low. The standard setting is [-8 dB].
- 8 **LINE IN terminal** (page 10)
To connect to the audio out terminals of AV equipment such as a video cassette recorder or television (not included).
- 9 **DIGITAL IN 1, 2 terminal (optical digital input)** (page 9)
To connect to digital equipment such as a DVD player or a television (not included).
- 10 **DIGITAL OUT terminal (optical digital output)** (page 9)
The same digital signal as the input signal selected with the INPUT SELECT control is output.
 - When ANALOG is selected, the same digital signal as the input signal to DIGITAL IN 2 is output.
- 11 **DC IN 9V terminal** (page 6)
To connect to the supplied AC adaptor. (Use only the supplied AC adaptor. Use of other AC adaptors with, for example, a different plug polarity is dangerous and can damage the unit.)

| INPUT SELECT control | DIGITAL OUT |
|----------------------|--|
| DIGITAL 1 | The same signal as the signal input to DIGITAL 1 |
| DIGITAL 2 | The same signal as the signal input to DIGITAL 2 |
| ANALOG | The same signal as the signal input to DIGITAL 2 |

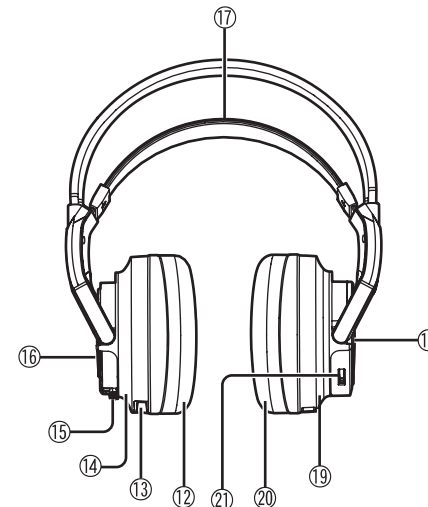
Control reference guide

Transmitter's front panel



- 1 **DECODE MODE lamp** (pages 12 to 13) (DOLBY DIGITAL, DOLBY PRO LOGIC II, DTS, MPEG-2 AAC)
The transmitter automatically distinguishes the recording method of the input signal and the DECODE MODE lamp lights.
- 2 **SURROUND lamp** (page 14) (MUSIC, CINEMA, VOICE)
- 3 **SURROUND button** (page 14)
Switch between MUSIC, CINEMA, VOICE and OFF in SURROUND MODE.
- 4 **INPUT SELECT** (page 12)
Switch between DIGITAL 1, DIGITAL 2 and ANALOG input.
- 5 **ID/TUNING button, lamp** (page 14)
Use when the radio waves are weak.
- 6 **OPR/CHARGE (operation/charge) lamp** (page 7)
 - It glows red when the headphones are being charged.
 - It glows green when the transmitter is in operation.
 - It goes out when the charging finishes or when there are no audio signals input for approximately 5 minutes.

Headphones

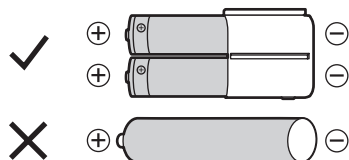


- 12 **Ear pad (left)**
- 13 **Charging terminal**
- 14 **Left housing**
- 15 **BATT (battery) knob** (page 6)
- 16 **Battery compartment lid**
Press BATT to open the battery compartment lid. Use the supplied rechargeable battery or "LR6, AA" alkaline dry cell batteries (not included).
- 17 **Free-adjusting band** (page 8)
The power turns on automatically and the OPR lamp lights when you put on the free-adjusting band.
- 18 **OPR (operation) lamp**
Pull up the free-adjusting band and check that the OPR lamp glows red. You can now use the headphones.
- 19 **Right housing**
- 20 **Ear pad (right)**
- 21 **ID button, VOL control**
VOL: When adjusting the volume (page 12)

Power supply preparations: Headphones

Using the rechargeable battery (supplied)

The supplied rechargeable battery must be charged before using this unit.

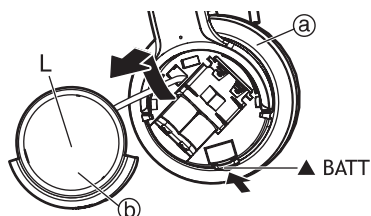


Nickel-metal hydride rechargeable battery
Use the supplied battery or a dedicated replacement battery RP-BP6000 (optional).

Commercially available rechargeable batteries
You cannot charge commercially available rechargeable batteries.

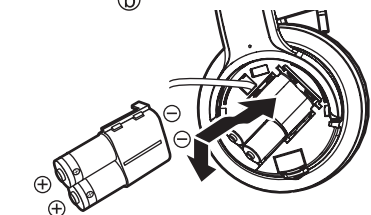
Inserting the supplied nickel-metal hydride rechargeable battery

1 Press the [BATT] knob on the left housing (a) to open the battery compartment lid (b) and then take it off.



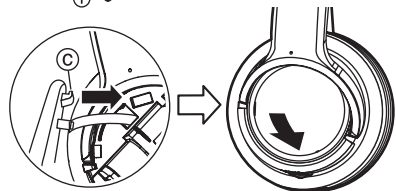
2 Insert the supplied nickel-metal hydride rechargeable battery.

- Align the poles (+) and (-) correctly when inserting.
 - Push down on the (-) pole spring when inserting.
- Remove the (+) poles first when removing.



3 Insert the rib (c) on the battery compartment lid into the hole on the left housing and then close the battery compartment lid.

Push the battery compartment lid until it locks.

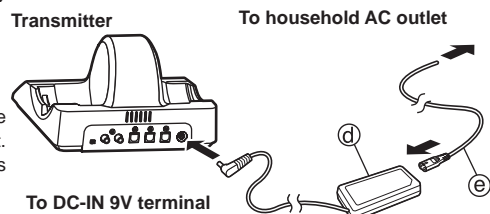


Charging

1 Connect the AC adaptor (supplied) (d) to the transmitter.

Note

- The AC adaptor power cord (supplied) (e) is for use with this unit only. Do not use it with other equipment. Do not use cords from other equipment with this unit.
- Be sure to use the supplied AC adaptor.

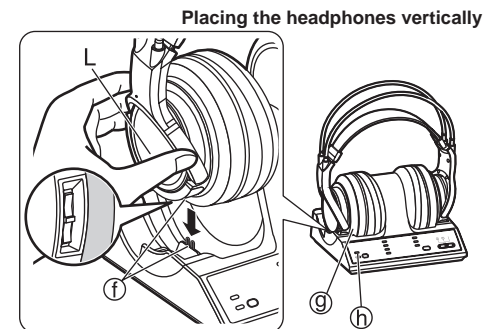


2 Put the headphones on the transmitter making sure that the charging terminals (f) are in contact with each other.

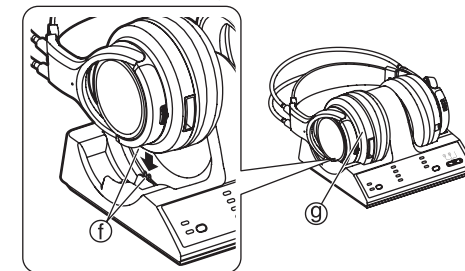
(g) Left housing

The battery can be charged with the headphones placed vertically or horizontally.

- The OPR/CHARGE lamp (h) on the transmitter glows red.
- The OPR/CHARGE lamp (h) goes out when the battery is fully charged.
- When putting the headphones on the transmitter, hold the left and right housings in each hand and put the headphones straight down onto the transmitter.



Placing the headphones horizontally



Note

The headphones are recharged if they are put back onto the transmitter after being fully charged. Do not keep recharging the battery if it is not used between recharges. The battery will be overcharged causing overheating and electrolyte leakage.

For your reference

- Radio wave emission automatically stops when the headphones are placed onto the transmitter.
 - The headphones can be used even if the battery is not fully charged.
 - Disconnect the AC adaptor from the household AC outlet if the unit is not going to be used for a long time. This unit consumes a small amount of power (approximately 1.8 W) if the AC adaptor is connected, even when it is turned off.
- The unit is in the standby condition when the AC adaptor is connected. The primary circuit is always "live" as long as the AC adaptor is connected to an electrical outlet.
- Charge the battery in an environment with an ambient temperature between 0 °C and 40 °C or it may not be fully charged.

Charging and operating times

| Charging time | Operating time ^{*1} |
|-------------------------------|-------------------------------|
| Approx. 3 hours ^{*2} | Approx. 8 hours ^{*3} |

^{*1}At 1 kHz, 1 mW + 1 mW output.

^{*2}Time required to fully charge from empty.

^{*3}Operating times may differ depending on the temperature of the surrounding environment and operating conditions.

Power supply preparations: Headphones

■ If the OPR/CHARGE lamp does not glow red

Check that the left and right sides of the headphones are correctly placed on the left and right sides of the transmitter.

Check that the charging terminals on the headphones and transmitter are touching each other. Adjust them if they are not touching.

- When there is dirt on the charging terminals of the headphones or the transmitter, remove it gently with a cotton bud, etc.

■ To charge the battery after using the headphones

Put the headphones back on the transmitter. The OPR/CHARGE lamp glows red and charging begins.

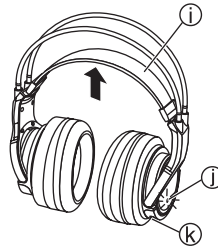
■ To check the remaining battery power

Pull the free-adjusting band ① and check if the OPR lamp ① on the right housing ② is dim or off. This means that the battery has run down and should be charged or replaced.

If the sound is distorted, intermittent or there is excessive background noise while using the headphones, the battery should be charged or replaced.

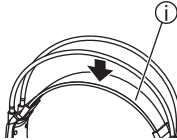
The service life for the supplied rechargeable battery

The supplied nickel-metal hydride rechargeable battery can be recharged approximately 300 times. If the operation time of the battery becomes extremely short after charging, the battery's service life has reached the end. Be sure to replace it with the dedicated rechargeable battery RP-BP6000 (optional).



■ The power turns off automatically when you remove the headphones. (Auto power on/off function)

Do not pull up the free-adjusting band ① when not using the headphones. This may cause the auto power on/off function to switch the headphones back on and battery power to run down.



Using alkaline dry cell batteries (not included)

Use "LR6, AA" alkaline dry cell batteries. Put the 2 alkaline dry cell batteries into the headphones in the same way as described in [Inserting the supplied nickel-metal hydride rechargeable battery] (page 6). You cannot charge dry cell batteries even if you put the headphones on the transmitter.

■ Operating time for the dry cell battery

| Battery type | Operating time ^{*1} |
|------------------------------|-------------------------------|
| Panasonic Alkaline batteries | Approx. 6 hours ^{*2} |

^{*1}At 1 kHz, 1 mW + 1 mW output.

^{*2}Operating times may differ depending on the temperature of the surrounding environment and operating conditions.

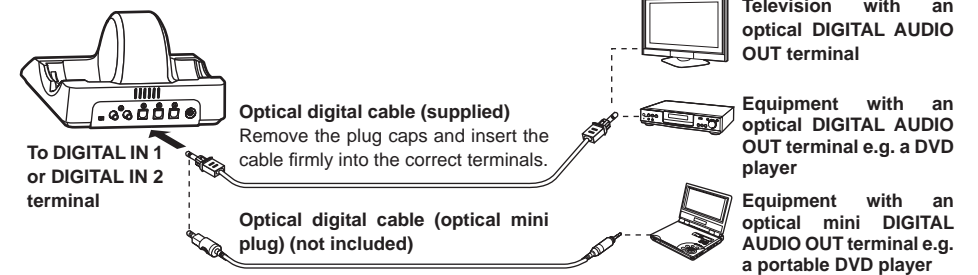
Connections

- Before connecting, turn off the digital or analog equipment.
- After connecting the digital or analog equipment to the transmitter, connect the AC adaptor (supplied) (page 6 [Charging] step 1)
- Refer/Read to the operating instructions of the connected equipment.

Connecting digital equipment

Use the supplied optical digital cable to connect a television or DVD player's*¹ optical DIGITAL AUDIO OUT terminal*² to the transmitter's DIGITAL IN 1 or 2 terminal.

Transmitter



Optical digital cable (optical mini plug) (not included)

When connecting the optical DIGITAL AUDIO OUT terminal of, for example, a portable DVD player or portable CD player to the transmitter's DIGITAL IN 1 or 2 terminal, use the optional digital cable (mini plug to angular plug) or similar.

For your reference

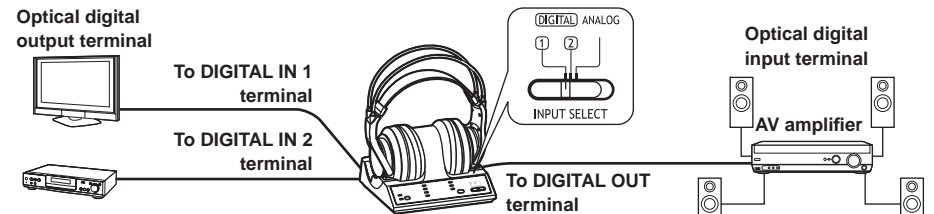
*¹Operation is not guaranteed when connecting to a computer's optical DIGITAL AUDIO OUT terminal.

*²When the connected equipment supports PCM output only, the surround sound will become DOLBY PRO LOGIC II.

■ Connecting an amplifier etc.

If you connect optical digital output equipment to the DIGITAL IN 1 and DIGITAL IN 2 terminals and an AV amplifier (not included) to the DIGITAL OUT terminal, you can switch the input without changing the optical digital cable.

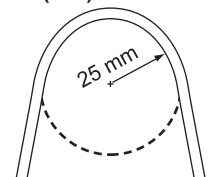
- You can select the signal input to this unit and the signal output to the connected equipment at the same time with the INPUT SELECT control. When ANALOG is selected, the signal input to DIGITAL 2 is output to the connected equipment (AV amplifier, etc.). (page 4)
- The input signal cannot be switched if the AC adaptor is not connected to the transmitter. Likewise, no signal will come out to the DIGITAL OUT terminal.



■ Using an optical digital cable

- Do not let falling objects subject the optical digital cable to vibration or shock.
- Hold the plugs in your hands and carefully connect or disconnect the optical digital cable.
- If the ends of the optical digital cable become dirty or dusty, efficiency will decrease. Keep them clean.
- For safety reasons, attach plug caps and do not bend the optical digital cable too much.

The optical digital cable's minimum bending radius is 25 mm (1 in.).



Connections

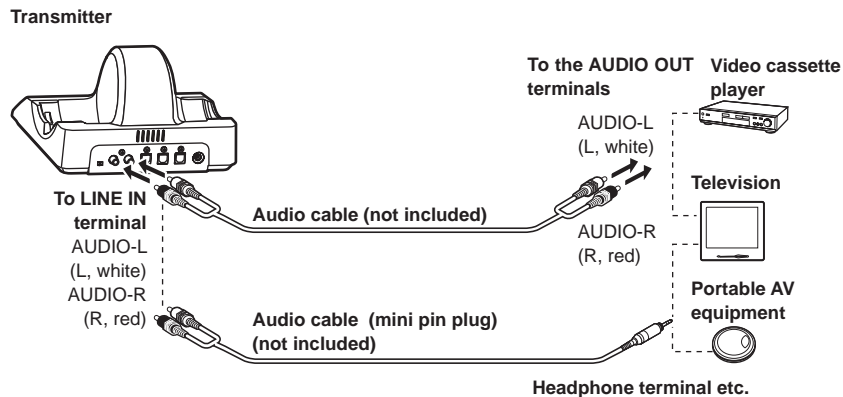
■ Playing DTS signals

Select the DTS audio signal on the connected equipment.

- A DTS compatible DVD player is necessary to play DVD discs recorded in DTS. (Refer to your DVD player's operating instructions for further details.)
- If "OFF" has been selected for the DVD player's DTS digital setting, sound may not be output even when DTS output is selected in the DVD menu.
- When connecting a DVD player and this unit with an analog connection, sound may not be output. Change to a digital connection if this happens.
- There may be some noise emitted during functions such as rewinding and fast forwarding with a DTS format DVD. This does not indicate a problem with the unit.

Connecting analog equipment

Use an audio cable when connecting the AUDIO OUT terminals of a video cassette player, television etc. to the transmitter's LINE IN (L/R) terminal.

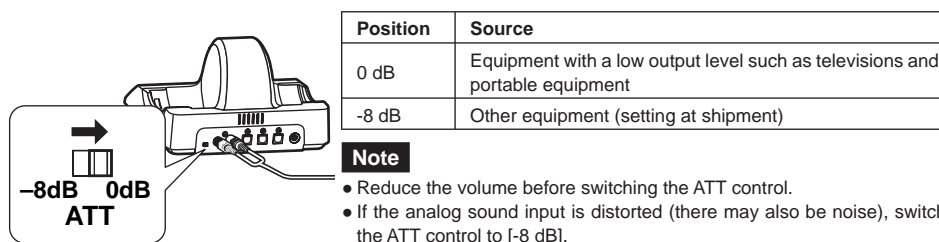


Audio cable (mini pin plug) (not included)

Use the audio cable (stereo mini plug to 2-pin plug) or similar to connect the transmitter's LINE IN terminal to a stereo mini headphone jack on the television or portable AV equipment. **If the output level from the television or portable AV equipment is set to low, there may be unwanted noise. Set the volume so the sound is not distorted.**

■ ATT Control

When the sound is low with an analog connection, switch the ATT (attenuator) control on the Transmitter's rear panel to [0 dB].



Placement of transmitter and headphones

This unit uses radio waves to transmit the signals so it is recommended to use the headphones within the range of the radio waves.

■ The range of the radio waves

The radio waves have a maximum range of 30 m (98.4 ft.) from the transmitter.

The most appropriate frequency is automatically set when the headphones are taken off the transmitter. When the headphones are used outside the range of the radio waves or the radio waves weaken, the sound is broken. Move nearer to the transmitter or reset the frequency (☞ page 14 [Setting the most appropriate frequency]).

- Since this unit is using the 2.4 GHz radio frequency band, obstacles (such as reinforced concrete walls and metal doors) may cause the sound to be broken. This is a characteristic of radio waves and not a malfunction.
- The sound heard from the headphones will differ depending on where the transmitter is placed and the kind of location in which it is used. We recommend placing the transmitter where the sound is received best.
- The sound may be broken when the unit is used at the same time as other equipment that uses the 2.4 GHz radio frequency band such as wireless equipment or microwaves.

■ Locations

Avoid placing the unit in the following locations

- Places with high temperatures such as near heating appliances or places directly exposed to sunlight
- Places with a lot of dust
- On top of unstable carts or inclined surfaces
- Places with excessive vibration
- Bathrooms and other moisture-prone places

Listening caution



Sound can be deceiving. Over time your hearing "comfort level" adapts to higher volumes of sound. So what sounds "normal" can actually be loud and harmful to your hearing.

Guard against this by setting your equipment at a safe level BEFORE your hearing adapts.

To establish a safe level:

- Start your volume control at a low setting.
- Slowly increase the sound until you can hear it comfortably and clearly, and without distortion.

Once you have established a comfortable sound level:

- Set the dial and leave it there.

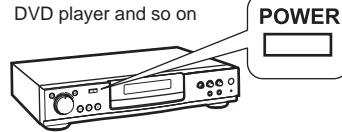
Taking a minute to do this now will help to prevent hearing damage or loss in the future. After all, we want you listening for a lifetime.

We recommend that you avoid prolonged exposure to excessive noise.

Listening to audio from equipment connected to the transmitter

Before using the transmitter, read [Connections] (👉 page 9 to 10) and ensure that it is connected correctly.

1 Turn on the equipment connected to the transmitter.

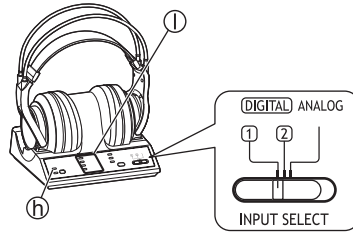


2 Select the signal with [INPUT SELECT].

DIGITAL 1: To hear sound from equipment connected to the transmitter's DIGITAL IN 1 terminal.

DIGITAL 2: To hear sound from equipment connected to the transmitter's DIGITAL IN 2 terminal.

ANALOG: To hear sound from equipment connected to the transmitter's LINE IN terminal.



Note

With dual sound sources (MAIN/SUB), select the desired sound on the player or television connected through the LINE IN terminal.

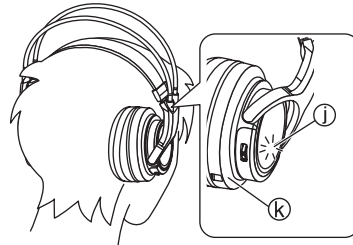
3 Take the headphones off the transmitter.



4 Put the headphones on your head.

Make sure that the headphones are positioned so that the right housing (R) goes over the right ear and the left housing (L) over the left ear. Then put the headphones straight down onto your head. Doing this will ensure that the auto power on/off function (👉 page 8) works correctly.

• The OPR lamp ① on the right housing (K) glows red and the power automatically turns on.



5 Start play on the equipment selected in step 2.

• The OPR/CHARGE lamp (H) on the transmitter will light green and radio waves will be emitted. The most appropriate frequency is automatically set.

• The DECODE MODE lamp ① glows approximately 5 seconds later depending on the signal sent from the connected equipment.

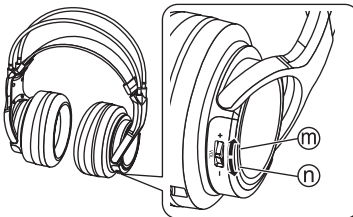
6 Use [VOL] to adjust the volume.

• The volume is the same as when the headphones were previously used.

• The volume will keep changing while the [VOL] control is pushed to either side.

(M) To increase the volume

(N) To decrease the volume



Refer to page 14 for information about the SURROUND effects.

Note

- When watching movies, be careful not to turn up the volume too high during quiet scenes. The movie may suddenly switch to a very noisy scene and you could damage your ears if the volume is raised too high.
- Avoid listening for prolonged periods of time to prevent hearing damage.
- Be sure to use the headphones within the range of the radio waves.
- Discontinue use if you experience discomfort. Continued use may cause rashes or other allergic reactions.

For your reference

- If you disconnect the AC adaptor from the transmitter before taking off the headphones, there may be static noises.
- The actual location of the sound may be difficult to recognize with music and audio only sources such as music CDs.
- This unit simulates the average person's HRTF*. However individual differences in human's HRTF mean that the effect of this system will vary between individuals.
* An abbreviation for Head Related Transfer Function.

Time required for mode changes

The actual time required for the unit to change to a particular mode after it has been selected using the slide switch on the transmitter, may vary between individual modes. This is due to different internal systems being used to change to different modes.

DECODE MODE lamp ①

The transmitter automatically distinguishes the recording method of the input signal and this lamp lights as shown below. When switching to DOLBY DIGITAL/DTS and so on, do so on the connected equipment e.g. the DVD player.

- **DOLBY DIGITAL:** Signals recorded in DOLBY DIGITAL format.
- **DOLBY PRO LOGIC II:** Analog input signals, digital input signals (PCM 2-channel signals) and DOLBY DIGITAL 2-channel signals treated as DOLBY PRO LOGIC II. (Select "OFF" in SURROUND MODE (👉 page 14) to stop this).
- **DTS:** Signals recorded in DTS format.
- **MPEG-2 AAC:** One of the audio compression formats defined by the MPEG-2 standard. Advanced audio coding is used for the sound in digital televisions.

For your reference

When any function other than [PLAY] - such as fast-forward or rewind - is selected on the equipment connected using the DIGITAL IN terminal, the DECODE MODE lamp may not light correctly. If [PLAY] is selected, it will however light correctly.

When you are unable to hear any sound from the headphones (MUTING function)

If the headphones are used outside the range of the radio waves or the radio waves weaken, reception will decline and the MUTING function will come on. No sound will then be heard from the headphones. If this happens, move nearer to the transmitter and the MUTING function will automatically switch off. If the sound is still broken, reset the headphones to the most appropriate frequency. (👉 page 14 [Setting the most appropriate frequency])

If no audio signal is received at the transmitter for more than approximately 5 minutes

The radio waves being emitted from the transmitter automatically stop and the transmitter's OPR/CHARGE lamp goes out. The radio waves start being emitted again when an audio signal is received. When the input audio (analog only) continues to be very low for more than 5 minutes (approximately), the radio waves being emitted from the transmitter may stop. If this happens, increase the volume level on the connected equipment and decrease the volume level on the headphones.

If a noise signal is input from equipment connected by the LINE IN terminal, the output of radio waves may not stop.

Listening to audio from equipment connected to the transmitter

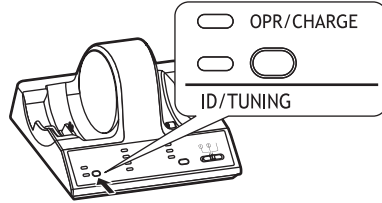
■ If the sound is broken or noisy when the headphones are in use (Setting the most appropriate frequency)

The sound may be broken or noisy if the headphones are used outside the range of the radio waves or if the reception becomes poor due to the interference from other wireless equipment using the 2.4 GHz radio frequency band, a microwave etc.

Perform the following steps to manually reset the appropriate frequency for transmitting.

Press [ID/TUNING] on the transmitter once.

- The ID/TUNING lamp on the transmitter glows green, the transmitter changes the frequency and then radio waves start being transmitted.
- The headphones will automatically detect the emitted frequency and noise and sound distortion will stop.



When the noise or sound distortion does not stop

Repeat the above step until the most appropriate frequency is set.

- This may not solve the problem if the headphones are being affected by a digital cordless telephone or other device. In this case, moving the transmitter and the headphones as far as possible from the digital cordless telephone or other device may stop the noise or sound distortion.

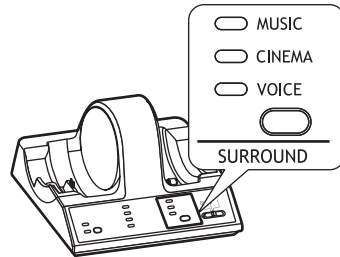
Selecting the surround field

Press [SURROUND] to select the desired surround mode.

Each time the button is pressed

▶ OFF → MUSIC → CINEMA → VOICE

- The SURROUND lamp for the selected mode will come on.
- This will go off, if "OFF" is selected.
- If the AC adaptor is disconnected and then connected, CINEMA is automatically selected.



| Surround mode | Surround mode and suitable input source |
|---------------|--|
| OFF | For normal headphone play |
| MUSIC | When playing music sources for enhanced acoustics |
| CINEMA | When playing movie sources for greater audio impact Creates a feeling close to being actually part of the scene. |
| VOICE | When playing sports game sources Reproduces the excitement of being in a stadium at a noisy sports scene while making the sound of the announcer or commentator easier to hear. |

For your reference

- Depending on the signal being input, volume may vary when changing between surround modes.
- There is no surround effect when playing a monaural source.

Maintenance

To clean this unit, wipe with a soft, dry cloth.

- Never use alcohol, paint thinner, or benzene to clean this unit.
- Before using chemically treated cloth, read the instructions that came with the cloth carefully.

Troubleshooting guide

Before requesting service, make the below checks. If you are in doubt about some of the check points, or if the remedies indicated in the chart do not solve the problem: refer to the "Limited Warranty" on page 66 if you reside in the U.S.A., or refer to the "Limited Warranty" on page 67 if you reside in Canada.

Take both the headphones and the transmitter when you visit your dealer.

| Problem | Possible cause and suggested remedy |
|---------------------|---|
| No sound. | <ul style="list-style-type: none"> ➔ Check that the AC adaptor is connected to the transmitter (☞ page 6). ➔ Check that the transmitter and the AV equipment are connected (☞ page 9 to 10). ➔ Turn on the AV equipment connected to the transmitter and start play on it. Check that the OPR/CHARGE lamp on the transmitter lights green (☞ page 12). ➔ Check that the transmitter's INPUT SELECT control is set correctly for the connected equipment (☞ page 12). ➔ If the transmitter is connected to the headphone jack, turn up the volume on the connected equipment (☞ page 10). ➔ Put the headphones on again. ➔ Turn up the volume on the headphones (☞ page 12). ➔ The MUTING function is activated (☞ page 13). <ul style="list-style-type: none"> • Move into the range of the radio waves. ➔ The headphones' OPR lamp is not on (☞ page 8). <ul style="list-style-type: none"> • The supplied rechargeable battery has run down. Recharge them or replace the alkaline dry cell batteries with new ones. If the OPR lamp is still off, take the unit to your dealer. ➔ Set the digital output setting on the connected equipment to "ON" if digital input is selected. ➔ You are playing a DTS audio track on a DVD player that is not compatible with DTS (☞ page 10). <ul style="list-style-type: none"> • Use a DTS compatible DVD player or select a PCM or Dolby Digital track. ➔ You are playing a DVD recorded in DTS audio on a DVD player (includes game machines) when "OFF" has been selected for the DVD player's DTS digital output setting (☞ page 10). <ul style="list-style-type: none"> • Set the DVD player's DTS digital output setting to "ON". ➔ You are playing a DVD recorded in DTS audio on a DVD player (includes game machines) connected to this unit with an analog connection (☞ page 10). |
| Sound is low. | <ul style="list-style-type: none"> ➔ If analog input is selected, switch the transmitter's ATT control to "0 dB" (☞ page 10). ➔ If the transmitter is connected to the headphone jack, turn up the volume on the connected equipment (☞ page 10). ➔ Turn up the volume on the headphones (☞ page 12). |
| Sound is distorted. | <ul style="list-style-type: none"> ➔ If analog input is selected, switch the transmitter's ATT control to "-8 dB" (☞ page 10). ➔ If the transmitter is connected to the headphone jack, turn the volume down on the connected equipment (☞ page 10). ➔ Set "CINEMA", "MUSIC" or "VOICE" with the SURROUND button on the transmitter when playing a DTS source. |

| Problem | Possible cause and suggested remedy |
|---|--|
| Sound is broken (noise may be heard too). | <ul style="list-style-type: none"> ➔ Change the placement of the transmitter. Stay within the range of the transmitter (🔊 page 11). ➔ The headphones' OPR lamp dims. Sound is distorted, intermittent or there is excessive background noise during use (🔊 page 8). <ul style="list-style-type: none"> ● The rechargeable battery has run down. Recharge it or replace the alkaline dry cell batteries with new ones. ➔ Make sure that there is no other equipment that uses the 2.4 GHz radio frequency band such as wireless equipment or microwaves near the transmitter or headphones (🔊 page 3). ➔ Set the most appropriate frequency (🔊 page 14 [Setting the most appropriate frequency]). |
| There is excessive background noise. | <ul style="list-style-type: none"> ➔ If the transmitter is connected to the headphone jack, turn the volume up on the connected equipment (🔊 page 10). ➔ The headphones' OPR lamp dims. Sound is distorted, intermittent or there is excessive background noise during use. (🔊 page 8). <ul style="list-style-type: none"> ● The rechargeable battery has run down. Recharge it or replace the alkaline dry cell batteries with new ones. ➔ Make sure that there is no other equipment that uses the 2.4 GHz radio frequency band such as wireless equipment or microwaves near the transmitter or headphones (🔊 page 3). ➔ Set the most appropriate frequency (🔊 page 14 [Setting the most appropriate frequency]). |
| Audio cannot be heard while analog is selected. | <ul style="list-style-type: none"> ➔ When the input audio (analog only) continues to be very low for more than 5 minutes (approximately), the radio waves being emitted from the transmitter may stop (🔊 page 13). In this case perform the following steps. <ol style="list-style-type: none"> 1. Switch the ATT control on the transmitter to "0 dB" (🔊 page 10). If audio still cannot be heard 2. Increase the volume level on the equipment connected to the analog input and decrease the volume level on the headphones. |
| No surround effect. | <ul style="list-style-type: none"> ➔ Set "CINEMA", "MUSIC" or "VOICE" on the transmitter's SURROUND button (🔊 page 14). ➔ The input audio signal is not multi-channel. There is no surround effect when playing a monaural source (🔊 page 14). |
| The DOLBY DIGITAL lamp does not light. | <ul style="list-style-type: none"> ➔ You have selected "PCM" for the audio digital output setting on the DVD player (includes game machines). <ul style="list-style-type: none"> ● Select "Dolby Digital/PCM" or "Dolby Digital" if the DVD player has an internal Dolby Digital decoder. ➔ You are playing a signal that is not recorded in DOLBY DIGITAL format. ➔ The chapter being played is not DOLBY DIGITAL format. |
| The DOLBY PRO LOGIC II lamp does not light. | <ul style="list-style-type: none"> ➔ You have set the transmitter's SURROUND button to "OFF" (🔊 page 13). ➔ There are no analog input signals, digital input signals (PCM), Dolby Digital 2-channel signals or MPEG-2 AAC 2 channel signals being input. |
| The DOLBY PRO LOGIC II lamp lights. | <ul style="list-style-type: none"> ➔ You have set the transmitter's SURROUND button to a setting other than "OFF" (🔊 page 13). ➔ There are analog input signals, digital input signals (PCM), Dolby Digital 2-channel signals or MPEG-2 AAC 2 channel signals being input. |

| Problem | Possible cause and suggested remedy |
|--|--|
| The DTS lamp does not light. | <ul style="list-style-type: none"> ➔ You have selected "OFF" for the DVD player's DTS digital output setting (🔊 page 10). <ul style="list-style-type: none"> ● Refer to the operating instructions for the DVD player and set the DTS digital output setting on the DVD player to "ON". ➔ You are playing a signal that is not recorded in DTS format. ➔ The chapter being played is not DTS format. ➔ The DVD player is not DTS compatible (🔊 page 10). <ul style="list-style-type: none"> ● Use a DTS compatible DVD player. |
| The MPEG-2 AAC lamp does not light. | <ul style="list-style-type: none"> ➔ The television's output setting is set to "PCM". <ul style="list-style-type: none"> ● Refer to the operating instructions for the television and set the television to output MPEG-2 AAC signals. |
| Cannot select dual audio (MAIN/SUB) when input is digital. | <ul style="list-style-type: none"> ➔ Connect the analog audio output of the equipment to the LINE IN terminal and select the desired sound on the connected equipment (🔊 page 12). |
| Cannot charge. | <ul style="list-style-type: none"> ➔ The OPR/CHARGE lamp on the transmitter does not glow red (🔊 page 7). <ul style="list-style-type: none"> ● Check that the headphones are put on the transmitter correctly. ➔ A dry cell battery is inserted. <ul style="list-style-type: none"> ● Be sure to insert the supplied nickel-metal hydride rechargeable battery. ➔ A nickel-metal hydride rechargeable battery other than the supplied one is inserted. <ul style="list-style-type: none"> ● Insert the supplied nickel-metal hydride rechargeable battery or a dedicated replacement battery RP-BP6000 (optional). (🔊 page 6) ➔ There is dirt on the charging terminals of the headphones or the transmitter (🔊 page 8). <ul style="list-style-type: none"> ● Remove it gently with a cotton swab etc. |
| Radio wave output does not stop. | <ul style="list-style-type: none"> ➔ A noise signal is being received from the connected equipment. <ul style="list-style-type: none"> ● Turn off the power on the connected equipment. |

Specifications

■ Transmitter (RP-WF6000T)

| | |
|-------------------------------|--|
| Decoder function | Dolby Digital, Dolby Pro Logic II, DTS, MPEG-2 AAC |
| Surround function | OFF, MUSIC, CINEMA, VOICE |
| Modulation method | DSSS (Direct-Sequence Spread Spectrum) |
| Transmitting frequency | 2.412 GHz to 2.462 GHz |
| Transmitting distance | Approximately 30 meters (98.4 ft.) |
| Frequency response | 10 Hz to 24,000 Hz |
| Distortion factor | Less than 0.1 % (1 kHz) |
| Audio input | Optical digital input (TOS Link type) x 2 Analog input (RCA type, left/right) x 1 |
| Audio output | Optical digital output (TOS Link type)(Pass through) x 1 |
| Power supply | DC 9 V (using supplied AC adaptor) |
| Dimensions (W x H x D) | 178 mm x 105.5 mm x 161.5 mm (7 in. x 4-1/8 in. x 6-3/8 in.) |
| Mass | Approx. 355 g (12.5 oz.) |

■ Headphones (RP-WF6000H)

| | |
|---|---|
| Frequency response | 10 Hz to 24,000 Hz |
| Power supply | Supplied rechargeable nickel-metal hydride battery (1 pair) or commercially available "LR6, AA" alkaline dry cell batteries (2) (not included) |
| Mass | Approx. 380 g (13.4 oz.) (including supplied rechargeable nickel-metal hydride battery) |
| Transmitter and Headphones in the Charging Position Dimensions (W x H x D) | 202 mm x 244 mm x 161.5 mm (7-15/16 in. x 9-5/8 in. x 6-3/8 in.) (Vertical position) 202 mm x 115 mm x 270 mm (7-15/16 in. x 4-1/2 in. x 10-5/8 in.) (Horizontal position) |
| AC Adaptor (RFX5726) | |
| Input | AC 100 - 240 V, 50/60 Hz |
| Output | DC 9 V, 2 A |
| Power consumption | 30 W |

Power consumption of the AC adaptor in standby mode (when connected to the transmitter) approx. 1.8 W

Note

Specifications are subject to change without notice.

Accessoires fournis

☞ Veuillez confirmer la présence des accessoires fournis en cochant les cases correspondantes. Citez les numéros entre parenthèses pour commander les pièces de rechange (en date de décembre 2006).

Adaptateur secteur1 (RFX5726)

Cordon d'alimentation de l'adaptateur secteur1 (K2CB2CB00018)

Bloc-batterie rechargeable spécialisé au nickel-métal-hydrure1 (RP-BP6000)

Câble optique numérique.....1 (Environ 2 m (6,6 pi)) (K7CXJFA00001)

La forme des pièces de rechange peut être différente.

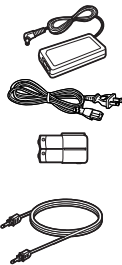


Table des matières

| | |
|--|-----------|
| Caractéristiques | 2 |
| PRÉCAUTIONS À PRENDRE | 3 |
| Précautions | 4 |
| Nomenclature | 4 |
| Panneau avant de l'émetteur | 4 |
| Panneau arrière de l'émetteur | 5 |
| Casque | 5 |
| Préparatifs d'alimentation : casque | 6 |
| Avec le bloc-batterie rechargeable (fourni)..... | 6 |
| Avec des piles alcalines (vendues séparément) ... | 8 |
| Raccordements | 9 |
| Raccordement à un appareil numérique | 9 |
| Raccordement à un appareil analogique | 10 |
| Emplacement de l'émetteur et du casque | 11 |
| Protection de l'ouïe | 11 |
| Écoute d'un appareil raccordé à l'émetteur | 12 |
| Sélection de l'effet de sonorité ambiophonique | 14 |
| Entretien | 14 |
| Guide de dépannage | 15 |
| Spécifications | 17 |

Il est recommandé de noter, dans l'espace prévu ci-dessous, le numéro de modèle et le numéro de série inscrits à l'arrière, ou sous le fond de l'appareil, et de conserver ce manuel pour référence ultérieure.

NUMÉRO DE MODÈLE _____ RP-WF6000
NUMÉRO DE SÉRIE _____

Homologation:

DATE D'ACHAT _____
DÉTAILLANT _____
ADRESSE DU DÉTAILLANT _____
N° DE TÉLÉPHONE _____

Service après-vente

Ne pas tenter de retirer les couvercles ni de réparer l'appareil soi-même. Confier toute réparation à un personnel qualifié.

Demande d'informations

Pour toutes réparations, renseignements ou conseils sur le fonctionnement du produit, voir la liste des centres de service après-vente. (pages 66 et 67)

Caractéristiques

Le modèle RP-WF6000 est un casque ambiophonique sans fil numérique qui utilise la bande de fréquence radio 2,4 GHz pour la transmission numérique.

Vous pouvez obtenir un son ambiophonique multicanal lors de l'écoute avec le casque.

- Le casque est compatible avec Dolby Digital, Dolby Pro Logic II, DTS, Dolby Digital Surround EX et DTS-ES.

- Le casque est compatible avec le format audio MPEG-2 AAC.

- Le casque utilise un mode de transmission sans fil numérique non comprimé, qui permet d'obtenir une qualité sonore égale à celle des CD et résiste au bruit externe.

- Grâce à la technologie "Personal Surround" développée par Panasonic et à un dispositif d'entraînement de grand diamètre (Ø 50 mm (1-15/16 po)) et de qualité élevée, vous pouvez profiter d'un puissant son ambiophonique avec ce casque.

- Le casque a une portée d'environ 30 mètres (98,4 pi). Cette portée varie selon les conditions d'utilisation du casque.

- Pour charger le casque, il suffit de le placer sur l'émetteur. (Charge rapide en 3 heures)

- Il y a deux façons possibles de placer le casque sur l'émetteur. (Le bloc-batterie peut être chargé dans les deux positions.)

- L'appareil est doté de deux bornes OPTICAL DIGITAL IN et d'une borne OPTICAL DIGITAL OUT (conversion directe du signal).

- Si aucun signal audio n'est reçu pendant plus de 5 minutes (environ), l'émetteur cesse automatiquement d'émettre des ondes radio pour réduire sa consommation d'énergie.

- Le serre-tête est doté d'un mécanisme de réglage libre qui élimine la nécessité de l'ajuster soi-même.

- Le casque est doté d'une fonction de mise sous/hors tension automatique qui le met automatiquement sous tension lorsque vous le mettez et hors tension lorsque vous le retirez.

- Une commande de volume unique permet de régler le volume des côtés droit et gauche du casque.

- Le casque est alimenté par le bloc-batterie rechargeable au nickel-métal-hydrure ou par des piles sèches alcalines "LR6, AA" (vendues séparément).

- La fonction de sourdine coupe le bruit si le casque est utilisé à l'extérieur de sa portée efficace.

- Le port du casque est confortable grâce au matériau velouté utilisé, qui est souple et respire bien.

L'émetteur est doté d'un décodeur DTS, d'un décodeur Dolby Digital, d'un décodeur Dolby Pro Logic II et d'un décodeur MPEG-2 ACC.

Fabriqué sous licence de Digital Theater Systems, Inc. Brevets américains n° 5 451 942 ; 5 956 674 ; 5 974 380 ; 5 978 762 ; 6 487 535 et autres brevets émis ou en attente aux États-Unis et ailleurs dans le monde. "DTS" et "DTS Virtual" sont des marques de commerce de Digital Theater Systems, Inc. Copyright 1996, 2003 Digital Theater Systems, Inc. Tous droits réservés.

Fabriqué sous licence de Dolby Laboratories. Dolby, Pro Logic et le symbole du double D sont des marques de commerce de Dolby Laboratories.

PRÉCAUTIONS À PRENDRE

Avant d'utiliser l'appareil, lire attentivement le présent manuel. Porter une attention toute particulière aux avis inscrits sur l'appareil et aux instructions décrites ci-dessous. Conserver ce manuel pour référence ultérieure.

- 1) Lire ces instructions.
- 2) Conserver ces instructions.
- 3) Respecter toutes les mises en garde.
- 4) Suivre toutes les instructions.
- 5) Ne pas utiliser cet appareil près de l'eau.
- 6) Nettoyer avec un chiffon sec seulement.
- 7) Ne pas bloquer les ouvertures pour ventilation. Installer selon les directives du fabricant.
- 8) Éloigner l'appareil de toute source de chaleur telle que radiateurs et autres éléments de chauffage (incluant les amplificateurs).
- 9) Ne pas tenter de contourner les mesures de sécurité des fiches polarisées ou de mise à la terre. Une fiche polarisée possède une lame plus large que l'autre. Une fiche avec mise à la terre possède une troisième broche pour la mise à la terre. Si la fiche ne peut pas être branchée, communiquer avec un électricien pour faire changer la prise de courant.
- 10) Protéger le cordon d'alimentation de manière qu'il ne soit pas piétiné ou écrasé par des objets. Faire particulièrement attention à ses extrémités de branchement, y compris sa fiche.
- 11) N'utiliser que les accessoires recommandés par le fabricant.
- 12) Ne placer l'appareil que dans une baie ou un support recommandé par le fabricant. Déplacer la baie ou le support avec le plus grand soin afin d'éviter le renversement.
- 13) Débrancher durant un orage ou lors de non-utilisation prolongée.
- 14) Confier toute réparation à un technicien qualifié. Faire réparer l'appareil si le cordon ou la fiche a été endommagé, si l'appareil a été mouillé, si un objet est tombé sur l'appareil, s'il a été exposé à la pluie ou à de l'humidité, s'il ne fonctionne pas normalement ou s'il a été échappé.



MISE EN GARDE:

AFIN DE PRÉVENIR TOUT RISQUE D'INCENDIE OU DE CHOCS ÉLECTRIQUES, AINSI QUE TOUT DOMMAGE À L'APPAREIL, NE PAS L'EXPOSER À LA PLUIE, À DES ÉCLABOUSSURES OU À UNE HUMIDITÉ EXCESSIVE. ÉVITER ÉGALEMENT DE PLACER DES CONTENANTS AVEC DU LIQUIDE, TEL UN VASE, SUR L'APPAREIL.

ATTENTION!

NE PAS INSTALLER CET APPAREIL DANS UNE BIBLIOTHÈQUE, UNE ARMOIRE OU TOUT AUTRE ESPACE CONFINÉ. S'ASSURER QUE LA VENTILATION DE L'APPAREIL EST ADÉQUATE. AFIN D'ÉVITER TOUT RISQUE DE CHOC ÉLECTRIQUE OU D'INCENDIE DÙ À UN SURCHAUFFEMENT, S'ASSURER QUE RIDEAUX OU TOUT OBJET QUELCONQUE NE BOUCHENT LES ÉVÉNEMENTS D'AÉRATION DE L'APPAREIL.

La prise de courant doit se trouver près de l'appareil et être facilement accessible. La fiche du cordon d'alimentation doit demeurer à portée de la main. Pour déconnecter complètement cet appareil de sa source d'alimentation, débranchez de la prise de courant la fiche du cordon d'alimentation.

La plaque signalétique se trouve sur le dessous de l'appareil.

CE QUI SUIT NE S'APPLIQUE QU'AUX ÉTATS-UNIS ET AU CANADA

L'appareil que vous vous êtes procuré est alimenté par une pile au nickel-métal-hydrure (NiMH). Pour des renseignements sur le recyclage de la pile, veuillez composer le 1-800-8-BATTERY.



Adaptateur secteur

Cet adaptateur secteur fonctionne sur le courant alternatif entre 100 V et 240 V.

- Aux États-Unis et au Canada, le cordon d'alimentation de l'adaptateur secteur doit être branché dans une prise secteur de 120 V seulement.
- Lors du raccordement de l'adaptateur secteur à l'extérieur des États-Unis ou du Canada, il est recommandé d'utiliser un adaptateur de fiche selon la configuration de la prise.
- Lors du raccordement à une source d'alimentation supérieure à 125 V, s'assurer d'utiliser un câble approprié à la tension et au courant nominal de l'adaptateur.
- Communiquer avec un distributeur de pièces électriques pour choisir l'adaptateur de fiche et le câble approprié.

AVERTISSEMENT

Danger d'explosion si le bloc-batterie n'est pas remplacé correctement. Ne le remplacer qu'avec un bloc-batterie identique ou de type équivalent, recommandé par le fabricant. Disposer du bloc-batterie usagé selon les directives du fabricant.

-Si ce symbole apparaît-

Information sur la mise au rebut dans les pays n'appartenant pas à l'Union européenne



Ce symbole est uniquement valide dans l'Union européenne. Si vous désirez mettre ce produit au rebut, contactez l'administration locale ou le revendeur et informez-vous de la bonne façon de procéder.

Précautions

Adaptateur secteur

Manipulez l'adaptateur secteur avec soin. Une manipulation inadéquate est dangereuse.

- Ne le touchez pas avec les mains mouillées.
- Ne posez pas d'objets lourds dessus.

Assurez-vous d'utiliser l'adaptateur secteur fourni.

Bloc-batterie

- Le bloc-batterie rechargeable peut être rechargé environ 300 fois. Si sa durée de fonctionnement diminue considérablement, vous devez le remplacer.
- N'utilisez pas ensemble des piles usagées et des piles neuves, ni des piles de types différents.
- Évitez de chauffer les piles ou de les exposer aux flammes.
- N'essayez pas de recharger des piles sèches ordinaires.
- Retirez le bloc-batterie si l'appareil doit demeurer inutilisé pour une période prolongée.
- Transportez et rangez le bloc-batterie rechargeable dans l'étui de rangement pour éviter qu'il n'entre en contact avec des objets métalliques.
- Ne détachez pas le revêtement du bloc-batterie et n'utilisez aucun bloc-batterie dont le revêtement a été détaché.

Une mauvaise manipulation du bloc-batterie peut causer une fuite d'électrolyte, ce qui peut endommager les pièces avec lesquelles le liquide entre en contact et provoquer un incendie.

L'appareil

Cet appareil utilise la bande de fréquence radio 2,4 GHz. Il se peut toutefois que d'autres appareils sans fil utilisent la même fréquence. Vous devez noter ce qui suit pour éviter l'interférence des ondes radio émises par les autres appareils.

■ Restriction d'utilisation

Pour utilisation uniquement dans votre pays.

■ Plage d'utilisation

La portée est d'environ 30 m (98,4 pi). Cette portée peut être moindre suivant la structure du bâtiment, l'environnement et la présence de tout obstacle entre le casque et l'émetteur. Les obstacles tels que les murs de béton armé et les portes de métal, en particulier, bloquent les signaux de l'émetteur.

■ Interférence des autres appareils

L'interférence radio peut entraîner un mauvais fonctionnement tel que de la distorsion sonore si l'appareil est placé trop près d'un autre appareil. Il est recommandé de garder l'appareil le plus loin possible des appareils suivants.

Périphériques Bluetooth, réseau local sans fil, fours à micro-ondes, appareils de bureautique, téléphones sans fil numériques et autres appareils électroniques.

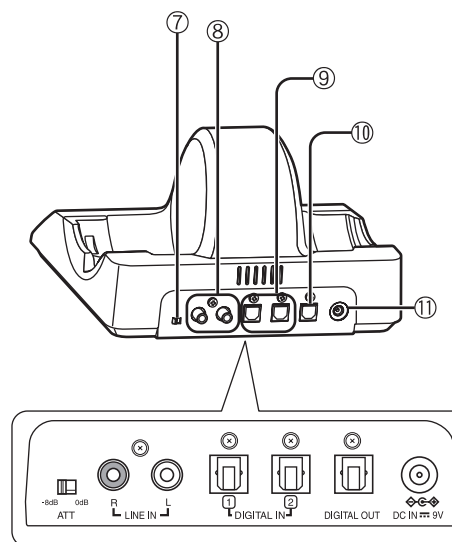
L'appareil est conçu pour éviter automatiquement l'interférence radio de ces appareils ménagers. Le son sera toutefois coupé en cas d'interférence radio. Le cas échéant, réglez l'appareil sur la fréquence la plus adéquate (page 14 [Réglage de l'appareil sur la fréquence la plus adéquate]).

■ Utilisation de l'appareil

- Évitez d'échapper, heurter ou autrement soumettre l'émetteur ou le casque à tout choc violent. Cela risquerait de les endommager.
- N'exposez pas l'appareil à l'eau ou à tout autre liquide, car cela risquerait de l'endommager.

Nomenclature

Panneau arrière de l'émetteur



- 7 Atténuateur (ATT)** (page 10)
Pour commuter sur [0 dB] lorsque le son d'une entrée analogique est faible. Le réglage normal est [-8 dB].
- 8 Borne LINE IN** (page 10)
Pour le raccordement aux bornes de sortie audio d'un appareil AV tel qu'un magnétoscope ou un téléviseur (vendus séparément).
- 9 Borne DIGITAL IN 1, 2 (entrée optique numérique)** (page 9)
Pour le raccordement à un appareil numérique tel qu'un lecteur DVD ou un téléviseur (vendus séparément).
- 10 Borne DIGITAL OUT (sortie optique numérique)** (page 9)
Le même signal numérique que le signal d'entrée sélectionné avec le sélecteur d'entrée (INPUT SELECT) est émis.

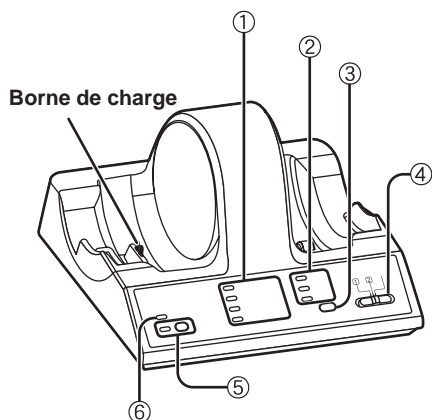
- Lorsque ANALOG est sélectionné, le même signal numérique que celui reçu par DIGITAL IN 2 est émis.

| Commande de sélection d'entrée | DIGITAL OUT |
|--------------------------------|---|
| DIGITAL 1 | Le même signal que celui reçu par DIGITAL 1 |
| DIGITAL 2 | Le même signal que celui reçu par DIGITAL 2 |
| ANALOG | |

- 11 Borne DC IN 9V** (page 6)
Pour le raccordement à l'adaptateur secteur fourni. (Utilisez exclusivement l'adaptateur secteur fourni. L'utilisation d'un autre adaptateur secteur, avec, par exemple, une polarité de fiche différente, est dangereuse et peut endommager l'appareil.)

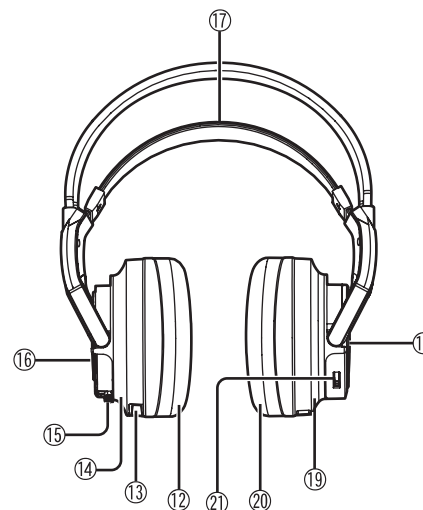
Nomenclature

Panneau avant de l'émetteur



- 1 Voyant du mode de décodeur (DECODE MODE)** (pages 12 et 13)
(DOLBY DIGITAL, DOLBY PRO LOGIC II, DTS, MPEG-2 AAC)
L'émetteur distingue automatiquement la méthode d'enregistrement du signal d'entrée et le voyant DECODE MODE s'allume.
- 2 Voyant d'ambiophonie (SURROUND)** (page 14) **(MUSIC, CINEMA, VOICE)**
- 3 Touche d'ambiophonie (SURROUND)** (page 14)
Pour commuter entre MUSIC, CINEMA, VOICE et OFF en mode ambiophonique.
- 4 Sélecteur d'entrée (INPUT SELECT)** (page 12)
Pour commuter entre les entrées DIGITAL 1, DIGITAL 2 et ANALOG.
- 5 Touche, voyant de syntonisation (ID/TUNING)** (page 14)
Utilisez cette touche lorsque les ondes radio sont faibles.
- 6 Voyant d'opération/charge (OPR/CHARGE)** (page 7)
 - S'allume en rouge pendant la charge du casque.
 - S'allume en vert lorsque l'émetteur est en cours d'opération.
 - Il s'éteint lorsque le chargement est terminé ou lorsque aucun signal audio n'est reçu pendant environ 5 minutes.

Casque

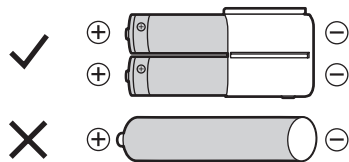


- 12 Oreillette (gauche)**
- 13 Borne de charge**
- 14 Boîtier gauche**
- 15 Bouton du bloc-batterie (BATT)** (page 6)
- 16 Couvercle du logement du bloc-batterie**
Appuyez sur BATT pour ouvrir le couvercle du logement du bloc-batterie. Utilisez le bloc-batterie rechargeable fourni ou des piles sèches alcalines "LR6, AA" (vendues séparément).
- 17 Serre-tête autoréglable** (page 8)
Le casque se met automatiquement sous tension et le voyant OPR s'allume lorsque vous mettez le serre-tête à autoréglage.
- 18 Voyant d'opération (OPR)**
Tirez le serre-tête à autoréglage vers le haut et vérifiez que le voyant OPR s'allume en rouge. Vous pouvez alors utiliser le casque.
- 19 Boîtier droit**
- 20 Oreillette (droite)**
- 21 Touche ID, commande de volume**
VOL: Lors du réglage du volume (page 12)

Préparatifs d'alimentation : casque

Avec le bloc-batterie rechargeable (fourni)

Le bloc-batterie rechargeable doit être chargé avant d'utiliser l'appareil.

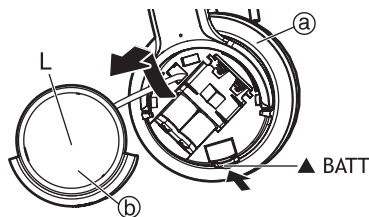


Bloc-batterie rechargeable au nickel-métal-hydrure
Utilisez le bloc-batterie fourni ou un bloc-batterie de remplacement spécialisé RP-BP6000 (vendu séparément).

Piles rechargeables disponibles dans le commerce
Il n'est pas possible de charger des piles rechargeables disponibles dans le commerce.

Insertion du bloc-batterie rechargeable au nickel-métal-hydrure fourni

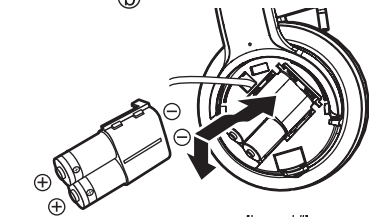
1 Appuyez sur le bouton [BATT] du boîtier gauche **(a)** du casque pour ouvrir et retirer le couvercle du logement du bloc-batterie **(b)**.



2 Insérez le bloc-batterie rechargeable au nickel-métal-hydrure fourni.

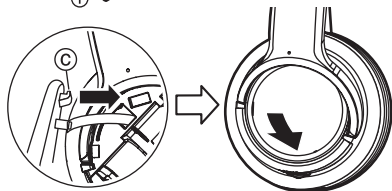
- Alignez les pôles \oplus et \ominus correctement lors de l'insertion.
- Poussez le bloc-batterie contre le ressort du pôle \ominus lors de l'insertion.

Pour enlever le bloc-batterie, retirez-le d'abord par le pôle \oplus .



3 Insérez la rainure **(c)** du couvercle du logement du bloc-batterie dans l'ouverture du boîtier gauche, puis refermez le couvercle du logement du bloc-batterie.

Appuyez sur le couvercle du logement du bloc-batterie jusqu'à ce qu'il se verrouille.

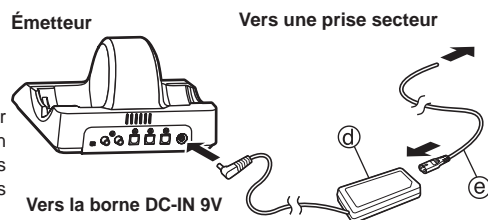


Recharge

1 Raccordez l'adaptateur secteur (fourni) **(d)** à l'émetteur.

Nota

- Le cordon d'alimentation de l'adaptateur secteur (fourni) **(e)** est conçu exclusivement pour l'utilisation avec cet appareil. Ne l'utilisez pas avec d'autres appareils. De même, n'utilisez pas les cordons d'autres appareils avec cet appareil.
- Assurez-vous d'utiliser l'adaptateur secteur fourni.

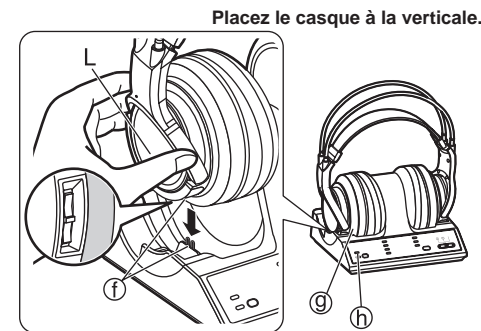


2 Déposez le casque sur l'émetteur en s'assurant que les bornes de recharge sur l'émetteur **(f)** entrent en contact l'une avec l'autre.

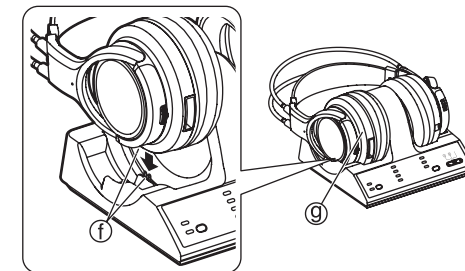
(g) Boîtier gauche

Il est possible de charger le bloc-batterie en plaçant le casque à la verticale ou à l'horizontale.

- Le voyant OPR/CHARGE **(h)** de l'émetteur s'allume en rouge.
- Le voyant OPR/CHARGE **(h)** s'éteint lorsque le bloc-batterie est complètement chargé.
- Pour mettre le casque sur l'émetteur, tenez les boîtiers gauche et droit dans chaque main et descendez le casque bien droit sur l'émetteur.



Placez le casque à l'horizontale.



Nota

Le casque sera rechargé si vous le remettez sur l'émetteur après l'avoir complètement chargé.

Ne rechargez pas inutilement le bloc-batterie si vous ne l'avez pas utilisé.

Le bloc-batterie sera surchargé, ce qui causera une surchauffe et une fuite d'électrolyte.

Pour référence

- L'émission d'ondes radio s'arrête automatiquement lorsque vous placez le casque sur l'émetteur.
- Il est possible d'utiliser le casque même si le bloc-batterie n'est pas complètement chargé.
- Débranchez l'adaptateur secteur de la prise de courant si vous prévoyez laisser l'appareil inutilisé pour une période prolongée. Même s'il est hors tension, cet appareil consomme une petite quantité d'énergie (environ 1,8 W) lorsque l'adaptateur secteur est connecté. L'appareil est en mode de veille lorsque l'adaptateur secteur est branché. Le circuit primaire demeure sous tension tant que l'adaptateur secteur est branché sur une prise de courant.
- Chargez le bloc-batterie dans un environnement à température ambiante de 0 °C à 40 °C, sinon il risque de ne pas se charger complètement.

Temps de charge et de fonctionnement

| Temps de charge | Temps de fonctionnement ^{*1} |
|--------------------------------|---------------------------------------|
| Environ 3 heures ^{*2} | Environ 8 heures ^{*3} |

^{*1}Avec une sortie de 1 kHz, 1 mW + 1 mW.

^{*2}Temps requis pour recharger complètement un bloc-batterie épuisé.

^{*3}Les temps de fonctionnement peuvent varier selon la température ambiante et les conditions d'utilisation.

Préparatifs d'alimentation : casque

■ Si le voyant OPR/CHARGE ne s'allume pas en rouge

Assurez-vous que les côtés gauche et droit du casque sont correctement placés des côtés gauche et droit de l'émetteur.

Assurez-vous que les bornes de charge du casque et de l'émetteur entrent en contact l'une avec l'autre. Ajustez-les si elles n'entrent pas en contact.

- Si les bornes de charge du casque ou de l'émetteur sont sales, nettoyez-les doucement avec un coton-tige, etc.

■ Pour recharger le bloc-batterie après l'utilisation du casque

Remettez le casque sur l'émetteur. Le voyant OPR/CHARGE s'allume en rouge et la recharge commence.

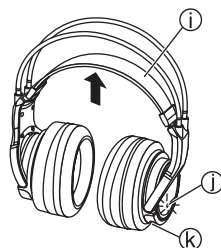
■ Pour vérifier la charge restante du bloc-batterie

Tirez le serre-tête à autoréglage ① et vérifiez si le voyant OPR ① du boîtier droit (K) est sombre ou éteint. Cela signifie que le bloc-batterie est épuisé et doit être rechargé ou remplacé.

Si le son est déformé, s'il est intermittent ou si le bruit de fond est excessif pendant l'utilisation du casque, le bloc-batterie doit être chargé ou remplacé.

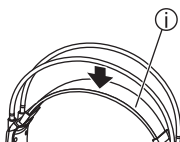
Durée de vie utile du bloc-batterie rechargeable fourni

Le bloc-batterie rechargeable au nickel-métal-hydrure fourni peut être rechargé environ 300 fois. Si le temps de fonctionnement du bloc-batterie après la recharge devient extrêmement court, le bloc-batterie a atteint la fin de sa durée de vie utile. Vous devez le remplacer par le bloc-batterie de rechange spécialisé RP-BP6000 (en option).



■ Mise hors tension automatique du casque lors du retrait (fonction de mise en/hors tension automatique)

Ne tirez pas le serre-tête à autoréglage ① vers le haut lorsque vous n'utilisez pas le casque. La fonction de mise sous/hors tension automatique risquerait de remettre le casque sous tension et le bloc-batterie s'épuiserait.



Avec des piles alcalines (vendues séparément)

Utilisez des piles alcalines "LR6, AA". Mettez les deux piles alcalines dans le casque en procédant de la même façon que celle décrite sous [Insertion du bloc-batterie rechargeable au nickel-métal-hydrure fourni] (page 6). Il n'est pas possible de charger des piles sèches même en mettant le casque sur l'émetteur.

■ Temps de fonctionnement avec une pile sèche

| Type de pile | Temps de fonctionnement *1 |
|---------------------------|----------------------------|
| Piles alcalines Panasonic | Environ 6 heures *2 |

*1 Avec une sortie de 1 kHz, 1 mW + 1 mW.

*2 Les temps de fonctionnement peuvent varier selon la température ambiante et les conditions d'utilisation.

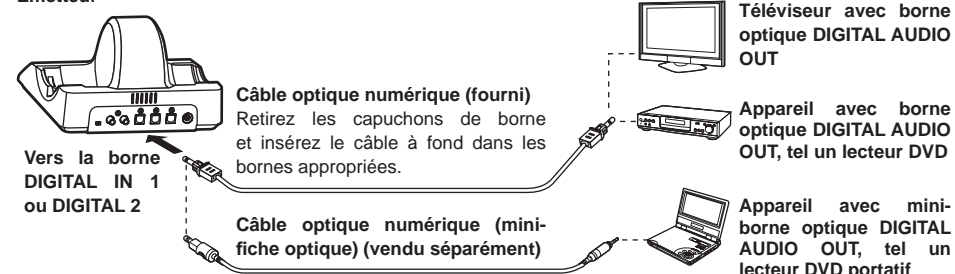
Raccordements

- Avant d'effectuer le raccordement, mettez l'appareil numérique ou analogique hors tension.
- Après avoir raccordé l'appareil numérique ou analogique à l'émetteur, branchez l'adaptateur secteur (fourni) (page 6 [Recharge] étape 1).
- Consultez/lisez le manuel d'utilisation de l'appareil raccordé.

Raccordement à un appareil numérique

Utilisez le câble optique numérique fourni pour raccorder la borne DIGITAL AUDIO OUT*2 d'un téléviseur ou d'un lecteur DVD*1 à la borne DIGITAL IN 1 ou 2 de l'émetteur.

Émetteur



Câble optique numérique (mini-fiche optique) (vendu séparément)

Pour raccorder la borne DIGITAL AUDIO OUT optique, par exemple, d'un lecteur DVD portable ou d'un lecteur CD portable à la borne DIGITAL IN 1 ou 2 de l'émetteur, utilisez le câble numérique en option (de mini-fiche à fiche angulaire) ou un câble similaire.

Pour référence

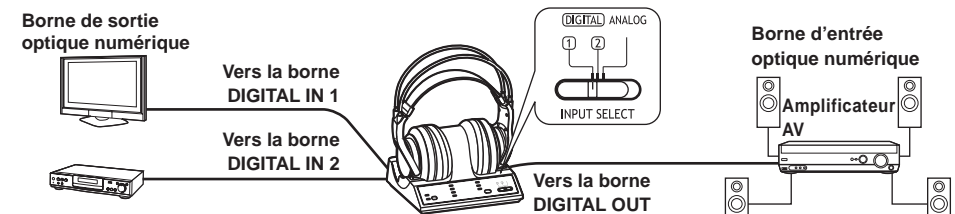
*1 Le fonctionnement n'est pas garanti lors du raccordement à la borne DIGITAL AUDIO OUT optique d'un ordinateur.

*2 Si l'appareil raccordé ne prend en charge que la sortie PCM, le son ambiophonique sera DOLBY PRO LOGIC II.

■ Raccordement à un amplificateur, etc.

Si vous raccordez un appareil à sortie optique numérique aux bornes DIGITAL IN 1 et DIGITAL IN 2, et un amplificateur AV (vendu séparément) à la borne DIGITAL OUT, vous pourrez commuter entre les entrées sans changer le câble optique numérique.

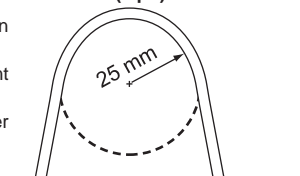
- Il est possible de sélectionner en même temps le signal reçu par cet appareil et le signal émis vers l'appareil raccordé avec le sélecteur d'entrée. Lorsque ANALOG est sélectionné, le signal reçu par DIGITAL 2 est émis vers l'appareil raccordé (amplificateur AV, etc.) (page 4)
- Le signal d'entrée n'est pas commutable si l'adaptateur secteur n'est pas raccordé à l'émetteur.



■ Utilisation d'un câble optique numérique

- Évitez que des objets ne fassent vibrer ou ne heurtent le câble optique numérique optique en tombant.
- Tenez les fiches dans vos mains et connectez ou déconnectez avec soin le câble optique numérique.
- L'efficacité du câble optique numérique diminuera si ses extrémités sont sales ou poussiéreuses. Gardez les propres.
- Par mesure de sécurité, fixez les capuchons de fiche et évitez de trop plier le câble optique numérique.

Le rayon d'action de portée du câble optique numérique est de 25 mm (1 po).



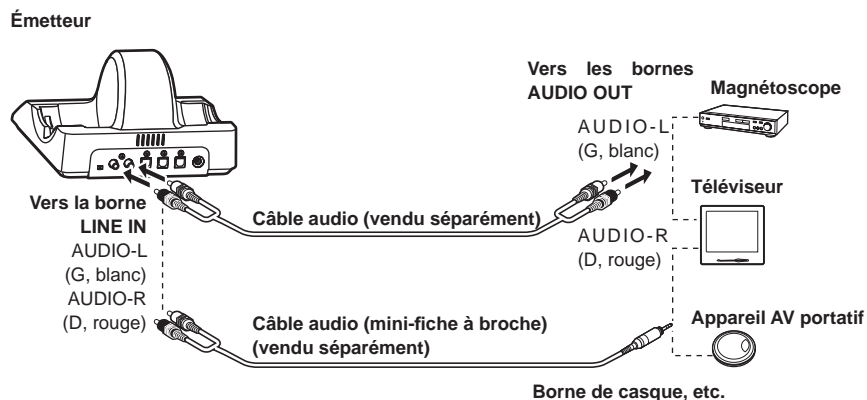
■ Lecture des signaux DTS

Sélectionnez le signal audio DTS sur l'appareil raccordé.

- Un lecteur DVD compatible DTS est requis pour faire la lecture des disques DVD enregistrés en DTS. (Reportez-vous au manuel d'utilisation du lecteur DVD pour plus d'informations.)
- Si "OFF" a été sélectionné comme réglage numérique DTS du lecteur DVD, le son risque de ne pas être émis même si la sortie DTS est sélectionnée dans le menu DVD.
- Lors du raccordement d'un lecteur DVD et de cet appareil avec une connexion analogique, le son risque de ne pas être émis. Le cas échéant, remplacez-la par une connexion numérique.
- Du bruit peut être émis pendant l'utilisation de fonctions telles que le recul rapide ou l'avance rapide avec un DVD de format DTS. Cela n'indique pas un problème de fonctionnement sur l'appareil.

Raccordement à un appareil analogique

Utilisez un câble audio pour raccorder les bornes AUDIO OUT d'un magnétoscope, d'un téléviseur, etc., à la borne LINE IN (L/R) de l'émetteur.

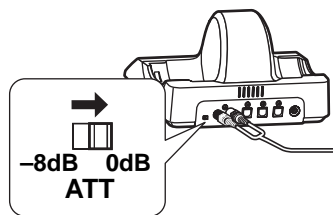


Câble audio (mini-fiche à broche) (vendu séparément)

Utilisez le câble audio (mini-fiche stéréo pour prise à deux broches) ou un câble similaire pour raccorder la borne LINE IN de l'émetteur à une prise mini stéréo du casque à un téléviseur ou à un appareil AV portable. **Si le niveau de sortie du téléviseur ou de l'appareil portable est trop faible, il pourrait y avoir des bruits non désirés. Réglez le volume de sorte que le son ne soit pas distordu.**

■ Commande d'atténuateur (ATT)

Si le son est faible avec une connexion analogique, commutez la commande ATT (atténuateur) du panneau arrière de l'émetteur (0 dB).



| Position | Source |
|----------|---|
| 0 dB | Appareil avec un faible niveau de sortie, comme les téléviseurs et autres appareils portatifs |
| -8 dB | Autre appareil (réglage par défaut) |

Nota

- Réduisez le volume avant de commuter la commande d'atténuateur (ATT).
- Si le signal d'entrée analogique est distordu (il pourrait également y avoir du bruit), commutez la commande d'atténuateur (ATT) à [-8 dB].

Comme cet appareil utilise des ondes radio pour émettre les signaux, il est recommandé d'utiliser le casque à l'intérieur de la portée couverte par les ondes radio.

■ Portée des ondes radio

Les ondes radio couvrent une portée maximale de 30 m (98,4 pi) par rapport à l'émetteur.

La fréquence la plus adéquate est automatiquement réglée lorsque vous retirez le casque de l'émetteur. Lorsque le casque est utilisé à l'extérieur de la portée des ondes radio, ou lorsque les ondes radio sont faibles, le son est coupé. Rapprochez-vous de l'émetteur ou réglez à nouveau la fréquence (page 14 [Réglage de l'appareil sur la fréquence la plus adéquate]).

- Comme cet appareil utilise la bande de fréquence radio 2,4 GHz, le son risque d'être coupé par des obstacles (tels que les murs de béton armé et les portes en métal). Il s'agit d'une caractéristique des ondes radio, non un mauvais fonctionnement.
- Le son audible par le casque sera différent selon l'emplacement de l'émetteur et le type d'environnement dans lequel il est utilisé. Il est recommandé de placer l'émetteur là où la réception du son est optimale.
- Le son risque d'être coupé si l'appareil est utilisé en même temps qu'un autre appareil qui utilise la bande de fréquence radio 2,4 GHz, comme par exemple un appareil sans fil ou un four à micro-ondes.

■ Emplacements

Évitez de placer l'appareil dans les endroits suivants

- Endroits à température élevée, comme près d'un appareil de chauffage, ou endroits directement exposés aux rayons du soleil
- Endroits très poussiéreux
- Sur des chariots instables ou des surfaces inclinées
- Endroits exposés à des vibrations excessives
- Salles de bain et autres endroits exposés à beaucoup d'humidité

Protection de l'ouïe



Choisir un appareil audio de qualité tel celui que vous venez d'acheter ne représente que le début de votre plaisir musical. En effet, de simples mesures peuvent vous permettre d'optimiser l'agrément que votre appareil peut vous offrir. Le fabricant de cet appareil et le Groupe des produits grand public de l'Association de l'industrie électronique désirent que vous tiriez un plaisir maximum en l'écoutant à un niveau sécuritaire qui, tout en assurant une reproduction claire et puissante sans distorsion, ne puisse affecter votre ouïe.

Il est recommandé d'éviter une écoute prolongée à volume élevé.

Le son peut être trompeur. Avec le temps, votre niveau de confort auditif s'adapte à des volumes plus élevés. Ainsi, un niveau qui semble normal peut en fait être trop élevé et être nuisible à l'oreille.

Protégez-vous en réglant le volume à un niveau sécuritaire avant que votre oreille ne s'adapte à un volume trop élevé.

Pour déterminer un niveau d'écoute sécuritaire:

- Régler le volume au minimum.
- Monter lentement le volume jusqu'au niveau d'écoute confortable avant qu'il n'y ait distorsion.

Après avoir identifié le niveau d'écoute confortable:

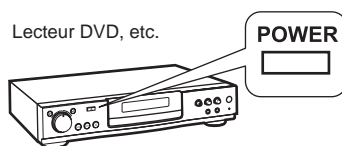
- Régler le volume et le laisser à ce niveau.

Les quelques secondes que vous demanderont ce réglage contribueront à prévenir tout dommage éventuel à l'ouïe.

Écoute d'un appareil raccordé à l'émetteur

Avant d'utiliser l'émetteur, lisez [Raccordements] (pages 9 et 10) et assurez-vous qu'il est correctement raccordé.

1 Mettez l'appareil raccordé à l'émetteur sous tension.

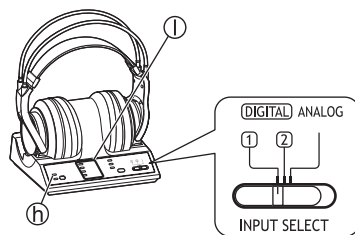


2 Sélectionnez le signal avec [INPUT SELECT].

DIGITAL 1: pour entendre le son de l'appareil raccordé à la borne DIGITAL IN 1 de l'émetteur.

DIGITAL 2: pour entendre le son de l'appareil raccordé à la borne DIGITAL IN 2 de l'émetteur.

ANALOG: pour entendre le son de l'appareil raccordé à la borne LINE IN de l'émetteur.



Nota

Avec les sources audio doubles (MAIN/SUB), sélectionnez le son désiré sur le lecteur ou le téléviseur raccordé par la borne LINE IN.

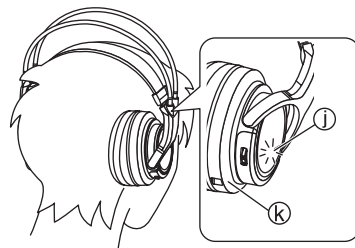
3 Retirez le casque de l'émetteur.



4 Mettez le casque sur votre tête.

Assurez-vous que le casque est orienté de sorte que le boîtier droit (R) se trouve sur l'oreille droite et le boîtier gauche (L) sur l'oreille gauche. Mettez ensuite le casque bien droit sur votre tête. Cela assurera le bon fonctionnement de la mise sous/hors tension automatique (page 8).

Le voyant OPR (1) du boîtier droit (K) s'allume en rouge et le casque se met automatiquement sous tension.



5 Lancez la lecture sur l'appareil sélectionné à l'étape 2.

Le voyant OPR/CHARGE (h) de l'émetteur s'allume en vert et les ondes radio sont émises. La fréquence la plus adéquate est réglée automatiquement.

Il se peut que le voyant DECODE MODE (1) s'allume environ 5 secondes après selon le type de signal envoyé par l'appareil raccordé.

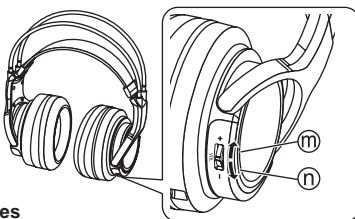
6 Utilisez [VOL] pour régler le volume.

Le volume est le même que lors de l'utilisation précédente du casque.

Le volume continue de changer tant que vous poussez la commande [VOL] vers l'autre côté.

(m) Pour monter le volume

(n) Pour baisser le volume



Reportez-vous à la page 14 pour plus de renseignements sur les effets ambiophoniques.

Nota

- Lorsque vous regardez un film, évitez de trop élever le volume pendant les scènes tranquilles. Le film peut soudainement passer à une scène très bruyante et vous risquez alors d'endommager votre ouïe si vous avez trop élevé le volume.
- Évitez l'écoute sur des périodes prolongées pour prévenir d'endommager votre ouïe.
- Assurez-vous d'utiliser le casque à l'intérieur de la portée des ondes radio.
- Interrompez l'écoute en cas d'inconfort. L'utilisation prolongée pourrait provoquer des démangeaisons ou d'autres types de réactions allergiques.

Pour référence

- Si vous déconnectez l'adaptateur secteur de l'émetteur avant d'avoir retiré le casque, il risque d'y avoir des parasites.
- L'emplacement réel du son peut être difficile à reconnaître avec les sources comprenant uniquement de la musique et du son, comme par exemple les CD de musique.
- Cet appareil simule le HRTF* d'une personne moyenne. L'effet de ce système variera toutefois d'une personne à l'autre en raison des différences individuelles en matière de HRTF humain.
* Abréviation pour "Head Related Transfert Function" (fonction de transfert liée à la tête).

Temps requis pour les changements de mode

Le temps réel requis par l'appareil, pour passer à un mode donné après sa sélection au moyen du commutateur à glissière sur l'émetteur, peut varier d'un mode à l'autre. Cela est dû aux différents systèmes internes utilisés pour passer à des modes différents.

Voyant du mode de décodeur (DECODE MODE) (1)

L'émetteur distingue automatiquement la méthode d'enregistrement du signal d'entrée et ce voyant s'allume comme ci-dessous. Lors de la commutation sur DOLBY DIGITAL/DTS, etc., procédez ainsi sur l'appareil raccordé, comme par exemple sur un lecteur DVD.

- DOLBY DIGITAL:** Signaux enregistrés en format DOLBY DIGITAL.
- DOLBY PRO LOGIC II:** Signaux d'entrée analogiques, signaux d'entrée numériques (signaux 2 canaux PCM) et signaux 2 canaux DOLBY DIGITAL traités en tant que DOLBY PRO LOGIC II. (Sélectionnez "OFF" en mode ambiophonique (page 14) pour mettre hors circuit).
- DTS:** Signaux enregistrés en format DTS.
- MPEG-2 AAC:** Un des formats de compression audio définis par la norme MPEG-2. Codage audio évolué utilisé pour le son sur les téléviseurs numériques.

Pour référence

Lorsque toute autre fonction que [PLAY] - comme par exemple l'avance rapide ou le recul rapide - est sélectionnée sur l'appareil raccordé par la borne DIGITAL IN, il se peut que le voyant DECODE MODE ne s'allume pas correctement. Le voyant s'allumera toutefois correctement si [PLAY] est sélectionné.

Lors de l'absence de son sur le casque (fonction de sourdine)

Lorsque le casque est utilisé à l'extérieur de la portée des ondes radio, ou lorsque les ondes radio faiblissent, la réception devient mauvaise et la fonction de sourdine est activée. Aucun son n'est alors audible sur le casque. Si cela se produit, rapprochez-vous de l'émetteur et la fonction de sourdine se désactivera automatiquement. Si le son est toujours coupé, réglez à nouveau le casque sur la fréquence la plus adéquate. (page 14 [Réglage de l'appareil sur la fréquence la plus adéquate])

Lorsqu'aucun signal audio n'est reçu par l'émetteur pendant plus de 5 minutes (environ)

L'émetteur cesse automatiquement d'émettre des ondes radio et son voyant OPR/CHARGE s'éteint. L'émission des ondes radio recommence lorsqu'un signal audio est reçu. Si le signal audio reçu (analogique uniquement) continue d'être très faible pendant plus de 5 minutes (environ), il se peut que l'émetteur cesse d'émettre des ondes radio. Dans un tel cas, augmentez le niveau du volume sur l'appareil raccordé et baissez le niveau du volume sur le casque.

Si un signal de bruit est émis par l'appareil raccordé par la borne LINE IN, il se peut que l'émission des ondes radio ne s'arrête pas.

Écoute d'un appareil raccordé à l'émetteur

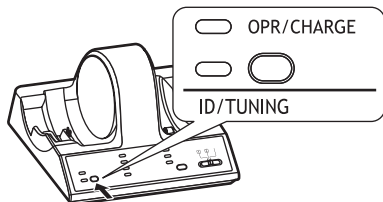
■ Si le son est coupé ou brouillé pendant l'utilisation du casque (Réglage de l'appareil sur la fréquence la plus adéquate)

Il se peut que le son soit coupé ou brouillé si le casque est utilisé à l'extérieur de la portée des ondes radio, ou si la réception devient mauvaise en raison de l'interférence causée par un autre appareil sans fil utilisant la bande de fréquence radio 2,4 GHz, par un four à micro-ondes, etc.

Suivez les étapes ci-dessous pour régler à nouveau manuellement la fréquence adéquate pour la transmission.

Appuyez une fois sur la touche [ID/TUNING] de l'émetteur.

- Le voyant ID/TUNING sur l'émetteur s'allume en vert, l'émetteur change alors de fréquence en utilisant une autre onde radio.
- Le casque détecte automatiquement la fréquence d'émission, puis la distorsion du son et le bruit cessent.



Si le bruit ou la distorsion du son ne cesse pas

Répétez la procédure ci-dessus jusqu'à ce que la fréquence la plus adéquate soit réglée.

- Il se peut que cela ne règle pas le problème si le casque est affecté par un téléphone sans fil numérique ou autre appareil. Dans ce cas, le fait de déplacer l'émetteur et le casque le plus loin possible du téléphone sans fil numérique ou autre appareil fera peut-être cesser le bruit ou la distorsion du son.

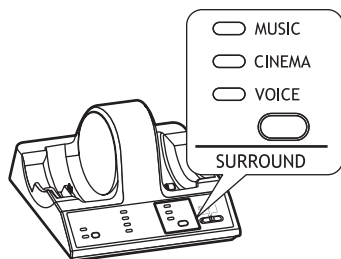
Sélection de l'effet de sonorité ambiophonique

Appuyez sur (SURROUND) pour sélectionner le mode ambiophonique désiré.

Sur chaque pression de la touche

OFF → MUSIC → CINEMA → VOICE

- Le voyant SURROUND du mode sélectionné s'allume.
- Il s'éteint si vous sélectionnez "OFF".
- Si vous débranchez, puis rebranchez l'adaptateur secteur, CINEMA est automatiquement sélectionné.



| Mode ambiophonique | Mode ambiophonique et sources d'entrée adéquates |
|--------------------|---|
| OFF (hors circuit) | Pour la lecture normale sur casque. |
| MUSIC (musique) | Pour la lecture de sources musicales avec acoustique améliorée. |
| CINEMA (cinéma) | Pour plus de puissance audio lors de la lecture de sources vidéo. Procure une sensation similaire à celle éprouvée quand on se trouve au cœur de l'action. |
| VOICE (voix) | Pour la lecture de sources d'événements sportifs. Reproduit la sensation ressentie dans un stade lors d'événements sportifs bruyants, tout en rendant plus audible la voix de l'annonceur ou du commentateur. |

Pour référence

- Selon le signal d'entrée, le volume peut varier lors de changement de mode ambiophonique.
- Il n'y a aucun effet ambiophonique lors de la lecture d'une source monaurale.

Entretien

Pour nettoyer cet appareil, utilisez un chiffon doux et sec.

- N'utilisez jamais d'alcool, de diluant à peinture ou de benzine pour nettoyer cet appareil.
- Avant d'utiliser un chiffon traité chimiquement, lisez attentivement les instructions qui l'accompagnent.

Guide de dépannage

Avant d'appeler un centre de service, faire les vérifications décrites ci-dessous. En cas de doute sur certains des points de vérification, ou si les solutions proposées dans le tableau ne résolvent pas le problème rencontré, se reporter à la garantie limitée à la page 67.

Si vous allez chez le revendeur, apportez le casque et l'émetteur.

| Problème | Cause probable et solution proposée |
|---------------------------------|--|
| Aucun son | <ul style="list-style-type: none"> Assurez-vous que l'adaptateur secteur est raccordé à l'émetteur (☞ page 6). Assurez-vous que l'émetteur et l'appareil AV sont raccordés (☞ pages 9 et 10). Mettez sous tension l'appareil AV raccordé à l'émetteur et lancez la lecture. Vérifiez que le voyant OPR/CHARGE de l'émetteur est allumé en vert (☞ page 12). Vérifiez que la commande de sélection d'entrée INPUT SELECT de l'émetteur est correctement réglée pour l'appareil raccordé (☞ page 12). Si l'émetteur est raccordé à la prise de casque, augmentez le volume sur l'appareil raccordé (☞ page 10). Remettez le casque sous tension. Augmentez le volume du casque (☞ page 12). La fonction de sourdine est activée (☞ page 13). <ul style="list-style-type: none"> Déplacez-vous dans la portée des ondes radio. Le voyant OPR du casque n'est pas allumé (☞ page 8). <ul style="list-style-type: none"> Le bloc-batterie rechargeable fourni est épuisé. Rechargez-le ou remplacez les piles alcalines par des neuves. Si le voyant OPR demeure éteint, apportez l'appareil chez votre revendeur. Réglez la sortie numérique sur "ON" sur l'appareil raccordé si l'entrée numérique est sélectionnée. Vous faites la lecture d'une plage audio DTS sur un lecteur DVD qui n'est pas compatible avec DTS (☞ page 10). <ul style="list-style-type: none"> Utilisez un lecteur DVD compatible avec DTS ou sélectionnez une plage PCM ou Dolby Digital. Vous faites la lecture d'un DVD enregistré en mode audio DTS sur un lecteur DVD (y compris les consoles de jeu) alors que "OFF" a été sélectionné comme réglage de sortie numérique DTS du lecteur DVD (☞ page 10). <ul style="list-style-type: none"> Réglez la sortie numérique DTS du lecteur DVD sur "ON". Vous faites la lecture d'un DVD enregistré en mode audio DTS sur un lecteur DVD (y compris les consoles de jeu) raccordé à cet appareil avec une connexion analogique (☞ page 10). |
| Le son est faible. | <ul style="list-style-type: none"> Si l'entrée analogique a été sélectionnée, commutez la commande d'atténuateur ATT de l'émetteur sur "0 dB" (☞ page 10). Si l'émetteur est raccordé à la prise de casque, augmentez le volume sur l'appareil raccordé (☞ page 10). Augmentez le volume du casque (☞ page 12). |
| Il y a de la distorsion sonore. | <ul style="list-style-type: none"> Si l'entrée analogique a été sélectionnée, commutez la commande d'atténuateur ATT de l'émetteur sur "-8 dB" (☞ page 10). Si l'émetteur est raccordé à la prise de casque, baissez le volume sur l'appareil raccordé (☞ page 10). Réglez la touche SURROUND sur "CINEMA", "MUSIC" ou "VOICE" sur l'émetteur lorsque vous faites la lecture d'une source DTS. |

| Problème | Cause probable et solution proposée |
|--|--|
| Le son est coupé (ou vous entendez du bruit). | <ul style="list-style-type: none"> ➔ Changez l'emplacement de l'émetteur. Restez dans la portée de l'émetteur (🔊 page 11). ➔ Le voyant OPR du casque est sombre. Le son est déformé ou intermittent ou il y a un bruit de fond excessif pendant l'utilisation (🔊 page 8). <ul style="list-style-type: none"> ● Le bloc-batterie rechargeable est épuisé. Rechargez-le ou remplacez les piles alcalines par des neuves. ➔ Assurez-vous qu'il n'y a pas d'autre appareil qui utilise la bande de fréquence radio 2,4 GHz, comme par exemple un appareil sans fil ou un four à micro-ondes, près de l'émetteur ou du casque (🔊 page 3). ➔ Réglez l'appareil sur la fréquence la plus adéquate (🔊 page 14 [Réglage de l'appareil sur la fréquence la plus adéquate]). |
| Il y a un bruit de fond excessif. | <ul style="list-style-type: none"> ➔ Si l'émetteur est raccordé à la prise de casque, augmentez le volume sur l'appareil raccordé (🔊 page 10). ➔ Le voyant OPR du casque est sombre. Le son est déformé ou intermittent, ou il y a un bruit de fond excessif pendant l'utilisation (🔊 page 8). <ul style="list-style-type: none"> ● Le bloc-batterie rechargeable est épuisé. Rechargez-le ou remplacez les piles alcalines par des neuves. ➔ Assurez-vous qu'il n'y a pas d'autre appareil qui utilise la bande de fréquence radio 2,4 GHz, comme par exemple un appareil sans fil ou un four à micro-ondes, près de l'émetteur ou du casque (🔊 page 3). ➔ Réglez l'appareil sur la fréquence la plus adéquate (🔊 page 14 [Réglage de l'appareil sur la fréquence la plus adéquate]). |
| Le son n'est pas audible lorsque la connexion analogique est sélectionnée. | <ul style="list-style-type: none"> ➔ Si le signal audio reçu (analogique uniquement) continue d'être très faible pendant plus de 5 minutes (environ), il se peut que l'émetteur cesse d'émettre des ondes radio (🔊 page 13). Le cas échéant, suivez les étapes ci-dessous. <ol style="list-style-type: none"> 1. Commutez la commande d'atténuateur ATT de l'émetteur sur "0 dB" (🔊 page 10). Si le son n'est toujours pas audible 2. Augmentez le niveau du volume sur l'appareil raccordé à l'entrée analogique et baissez le niveau du volume sur le casque. |
| Pas d'effet ambiophonique. | <ul style="list-style-type: none"> ➔ Réglez la touche SURROUND de l'émetteur sur "CINEMA", "MUSIC" ou "VOICE" (🔊 page 14). ➔ Le signal audio reçu n'est pas multicanal. Il n'y a pas d'effet ambiophonique lors de la lecture d'une source monaurale (🔊 page 14). |
| Le voyant DOLBY DIGITAL ne s'allume pas. | <ul style="list-style-type: none"> ➔ Vous avez sélectionné "PCM" pour le réglage de sortie numérique audio sur le lecteur DVD (y compris les consoles de jeu). <ul style="list-style-type: none"> ● Sélectionnez "Dolby Digital/PCM" ou "Dolby Digital" si le lecteur DVD est doté d'un décodeur Dolby Digital interne. ➔ Lors de la lecture d'un signal qui n'est pas enregistré en format DOLBY DIGITAL. ➔ Le chapitre en cours de lecture n'est pas en format DOLBY DIGITAL. |
| Le voyant DOLBY PRO LOGIC II ne s'allume pas. | <ul style="list-style-type: none"> ➔ Vous avez réglé la touche SURROUND de l'émetteur sur "OFF" (🔊 page 13). ➔ Il n'y a pas de signaux d'entrée analogiques, de signaux d'entrée numériques (PCM), de signaux 2 canaux Dolby Digital ou de signaux 2 canaux MPEG-2 AAC en cours de réception. |
| Le voyant DOLBY PRO LOGIC II s'allume. | <ul style="list-style-type: none"> ➔ Lorsque la touche SURROUND de l'émetteur est réglée sur un autre réglage que "OFF" (🔊 page 13). ➔ Il y a des signaux d'entrée analogiques, des signaux d'entrée numériques (PCM), des signaux 2 canaux Dolby Digital ou des signaux 2 canaux MPEG-2 AAC en cours de réception. |

| Problème | Cause probable et solution proposée |
|--|---|
| Le voyant DTS ne s'allume pas. | <ul style="list-style-type: none"> ➔ Vous avez sélectionné "OFF" pour le réglage de sortie numérique DTS du lecteur DVD (🔊 page 10). <ul style="list-style-type: none"> ● Reportez-vous au manuel d'utilisation du lecteur DVD et réglez la sortie numérique DTS du lecteur DVD sur "ON". ➔ Lors de la lecture d'un signal qui n'est pas enregistré en format DTS. ➔ Le chapitre en cours de lecture n'est pas en format DTS. ➔ Le lecteur DVD n'est pas compatible avec DTS (🔊 page 10). <ul style="list-style-type: none"> ● Utilisez un lecteur DVD compatible avec DTS. |
| Le voyant MPEG-2 AAC ne s'allume pas. | <ul style="list-style-type: none"> ➔ Le réglage de sortie du téléviseur est réglé sur "PCM". <ul style="list-style-type: none"> ● Reportez-vous au manuel d'utilisation du téléviseur et réglez le téléviseur pour l'émission de signaux MPEG-2 AAC. |
| Impossible de sélectionner l'audio double (MAIN/SUB) lorsque l'entrée est numérique. | <ul style="list-style-type: none"> ➔ Raccordez la sortie audio analogique de l'appareil à la borne LINE IN et sélectionnez le son désiré sur l'appareil raccordé (🔊 page 12). |
| Recharge impossible. | <ul style="list-style-type: none"> ➔ Le voyant OPR/CHARGE de l'émetteur ne s'allume pas en rouge (🔊 page 7). <ul style="list-style-type: none"> ● Assurez-vous que le casque est placé correctement sur l'émetteur. ➔ Une pile sèche est insérée. <ul style="list-style-type: none"> ● Assurez-vous d'insérer le bloc-batterie rechargeable au nickel-métal-hydrure fourni. ➔ Un bloc-batterie rechargeable au nickel-métal-hydrure autre que le bloc-batterie fourni est inséré. <ul style="list-style-type: none"> ● Insérez le bloc-batterie rechargeable au nickel-métal-hydrure fourni ou un bloc-batterie de recharge spécialisé RP-BP6000 (vendu séparément). (🔊 page 6) ➔ Les bornes de charge du casque ou de l'émetteur sont sales (🔊 page 8). <ul style="list-style-type: none"> ● Nettoyez-les doucement avec un coton-tige, etc. |
| L'émission des ondes radio ne cesse pas. | <ul style="list-style-type: none"> ➔ Un signal de bruit provenant de l'appareil raccordé est reçu. <ul style="list-style-type: none"> ● Mettez l'appareil raccordé hors tension. |

Spécifications

■ Émetteur (RP-WF6000T)

| | |
|----------------------------------|--|
| Fonction décodeur | Dolby Digital, Dolby Pro Logic II, DTS, MPEG-2 AAC |
| Fonction ambiophonique | OFF, MUSIC, CINEMA, VOICE |
| Méthode de modulation | DSSS (modulation à spectre étalé à fréquence directe) |
| Fréquence de transmission | 2,412 GHz à 2,462 GHz |
| Distance de transmission | Environ 30 mètres (98,4 pi) |
| Réponse en fréquence | 10 Hz à 24 000 Hz |
| Facteur de distorsion | Moins de 0,1 % (1 kHz) |
| Entrée audio | Entrée numérique optique (liaison TOS) x 2 Entrée analogique (RCA, gauche/droite) x 1 |
| Sortie audio | Sortie numérique optique (liaison TOS) (conversion directe du signal) x 1 |
| Alimentation | 9 V c.c. (avec l'adaptateur secteur fourni) |
| Dimensions (L x H x P) | 178 mm x 105,5 mm x 161,5 mm (7 po x 4-1/8 po x 6-3/8 po) |
| Poids | Environ 355 g (12,5 oz) |

■ Casque (RP-WF6000H)

| | |
|---|---|
| Réponse en fréquence | 10 Hz à 24 000 Hz |
| Alimentation | Bloc-batterie rechargeable au nickel-métal-hydrure fourni (1 paire) ou piles alcalines "LR6, AA" disponibles en magasin (2) (vendues séparément) |
| Poids | Environ 380 g (13,4 oz) (avec le bloc-batterie rechargeable au nickel-métal-hydrure fourni) |
| ■ Émetteur et casque en position de charge | |
| Dimensions (L x H x P) | 202 mm x 244 mm x 161,5 mm (7-15/16 po x 9-5/8 po x 6-3/8 po) (position verticale) 202 mm x 115 mm x 270 mm (7-15/16 po x 4-1/2 po x 10-5/8 po) (position horizontale) |
| ■ Adaptateur secteur (RFX 5726) | |
| Entrée | 100 - 240 V c.a., 50/60 Hz |
| Sortie | 9 V c.c., 2 A |
| Consommation | 30 W |

Consommation de l'adaptateur secteur en mode de veille (lorsque raccordé à l'émetteur) **environ 1,8 W**

Nota

Les spécifications sont sujettes à changement sans préavis.

Accesorios suministrados

Verifique e identifique los accesorios suministrados.

Utilice los números indicados entre paréntesis cuando solicite piezas de recambio. "A partir de Diciembre de 2006"

Adaptador de CA1
(RFX5726)

Cable de alimentación del adaptador de CA1
(K2CB2CB00018)

Batería de níquel-hidruro de metal exclusiva1
(RP-BP6000)

Cable digital óptico1
(2 metros (6,6 pies) aproximadamente)
(K7CXJFA00001)

La forma de las piezas de repuesto puede ser diferente.



Índice

| | |
|---|----|
| Características..... | 2 |
| INSTRUCCIONES DE SEGURIDAD IMPORTANTES..... | 3 |
| Precauciones..... | 4 |
| Guía de referencia de los controles..... | 4 |
| Panel frontal del transmisor..... | 4 |
| Panel trasero del transmisor..... | 5 |
| Auriculares..... | 5 |
| Preparativos para el suministro de alimentación: | |
| Auriculares..... | 6 |
| Utilizando la batería (suministrada)..... | 6 |
| Utilizando pilas secas alcalinas (no incluidas)..... | 8 |
| Conexiones..... | 9 |
| Conexión de un equipo digital..... | 9 |
| Conexión de un equipo analógico..... | 10 |
| Colocación del transmisor y los auriculares..... | 11 |
| Cuidados al escuchar..... | 11 |
| Escucha de audio procedente de un equipo conectado al transmisor..... | 12 |
| Selección del campo de sonido ambiental..... | 14 |
| Mantenimiento..... | 14 |
| Guía para la solución de problemas..... | 15 |
| Especificaciones..... | 17 |

El número del modelo y el número de serie de este producto se pueden encontrar en la parte posterior o inferior de la unidad.

Anote esos números en el espacio provisto a continuación y guárdelos para consultarlos en el futuro.
 MODELO RP-WF6000
 NÚMERO DE SERIE _____

Anotaciones del usuario:

FECHA DE ADQUISICIÓN _____
 NOMBRE DEL CONCESIONARIO _____
 DIRECCIÓN DEL CONCESIONARIO _____
 NÚMERO DE TELÉFONO _____

Servicio del producto

No intente retirar la(s) cubierta(s) ni reparar la unidad usted mismo.

Solicite el servicio al personal cualificado solamente.

Información del producto

En cuanto al servicio, información o asistencia relacionados con el producto, consulte el directorio de centros de servicio. (Página 66 a 67)

Características

El RP-WF6000 es un sistema de auriculares inalámbricos digitales de sonido ambiental que utiliza la banda de frecuencia de radio de 2,4 GHz para la transmisión digital.

Cuando escucha con estos auriculares puede disfrutar de un sonido ambiental de múltiples canales.

- Los auriculares son compatibles con Dolby Digital, Dolby Pro Logic II, DTS, Dolby Digital Surround EX y DTS-ES.

- Los auriculares son compatibles con el formato de audio MPEG-2 AAC.

- Los auriculares utilizan la transmisión inalámbrica digital sin compresión que proporciona una calidad de sonido igual a la de un CD y además es resistente al ruido externo.

- La tecnología "Personal Surround" desarrollada por Panasonic y la unidad de altavoz de graves de alta calidad con un diámetro grande de 50 mm (1-15/16") significan que usted podrá disfrutar del efecto potente del sonido ambiental con estos auriculares.

- Los auriculares tienen un alcance de recepción de 30 metros (98,4 pies) aproximadamente. Este alcance cambia dependiendo de las condiciones bajo las cuales se utilizan los auriculares.

- Los auriculares se cargan simplemente colocándolos en el transmisor. (Carga rápida de 3 horas)

- Los auriculares se pueden colocar en el transmisor de dos formas diferentes. (La batería se puede cargar en ambas posiciones).

- Esta unidad tiene dos terminales OPTICAL DIGITAL IN y un terminal OPTICAL DIGITAL OUT (pasante).

- Si no se introduce ninguna señal de audio durante más de 5 minutos aproximadamente, las ondas de radio emitidas por el transmisor se cortarán automáticamente para ahorrar energía.

- La banda de la cabeza tiene un mecanismo de ajuste libre que elimina la necesidad de tener que ajustarla.
- Los auriculares tienen una función de encendido/apagado automático mediante la cual éstos se encienden al ponerlos en la cabeza y se apagan al quitarlos.

- Un solo control de volumen ajusta el volumen de los auriculares derecho e izquierdo.

- Los auriculares pueden funcionar con la batería de níquel-hidruro de metal suministrada o con pilas secas alcalinas "LR6, AA" (no incluidas).

- La función de silenciamiento corta el ruido si los auriculares se utilizan fuera de su alcance efectivo.

- Los auriculares resultan muy confortables puestos ya que utilizan un material aterciopelado blando por el que pasa bien el aire.

Este transmisor tiene un decodificador DTS, un decodificador Dolby Digital, un decodificador Dolby Pro Logic II y un decodificador MPEG-2 AAC.

Fabricado bajo licencia de Digital Theater Systems, Inc. Con patentes de los EE.UU. números 5.451.942; 5.956.674; 5.974.380; 5.978.762; 6.487.535 y otras patentes emitidas y pendientes en los EE.UU. y en todo el mundo. "DTS" y "DTS Virtual" son marcas de fábrica de Digital Theater Systems, Inc. Copyright 1996, 2003 Digital Theater Systems, Inc. Todos los derechos reservados.

Fabricado bajo licencia de Dolby Laboratories. Dolby, Pro Logic y el símbolo de la D doble son marcas de fábrica de Dolby Laboratories.

INSTRUCCIONES DE SEGURIDAD IMPORTANTES

Lea cuidadosamente estas instrucciones de funcionamiento antes de utilizar la unidad. Siga las instrucciones de seguridad de la unidad y las instrucciones de seguridad aplicables listadas más abajo. Guarde estas instrucciones de funcionamiento a mano por si necesita consultarlas en el futuro.

- 1) Lea estas instrucciones.
- 2) Guarde estas instrucciones.
- 3) Preste atención a todas las advertencias.
- 4) Siga todas las instrucciones.
- 5) No utilice este aparato cerca del agua.
- 6) Limpie con un paño seco solamente.
- 7) No tape ninguna de las aberturas de ventilación. Haga la instalación según las instrucciones del fabricante.
- 8) No instale la unidad cerca de fuentes de calor tales como radiadores, salidas de aire caliente, estufas u otros aparatos (incluyendo amplificadores) que produzcan calor.
- 9) No anule la seguridad de la clavija polarizada o con conexión a tierra. Una clavija polarizada tiene dos patillas, una más ancha que la otra. Una clavija con conexión a tierra tiene dos patillas y un tercer contacto de conexión a tierra. La patilla ancha o el tercer contacto han sido provistos para su seguridad. Si la clavija suministrada no puede conectarse a la toma de corriente, consulte a un electricista para que le cambie la toma de corriente obsoleta.
- 10) Proteja el cable de alimentación para que no sea pisado ni pellizcado, particularmente en las clavijas, en los receptáculos y en el punto por donde sale del aparato.

- 11) Utilice solamente los accesorios especificados por el fabricante.
- 12) Utilice solamente el aparato con el carrito, soporte, trípode, ménsula o mesa especificado por el fabricante, o vendido con el aparato. Cuando utilice un carrito, tenga cuidado al mover la combinación del carrito y el aparato para evitar lesionarse si se voltea.
- 13) Desenchufe este aparato durante las tormentas eléctricas o cuando no vaya a ser utilizado durante periodos largos de tiempo.
- 14) Solicite todas las reparaciones a personal de servicio cualificado. Las reparaciones serán necesarias cuando el aparato haya sido dañado de cualquier forma como, por ejemplo, cuando el cable de alimentación o su clavija estén estropeados, cuando se hayan derramado líquidos o hayan caído objetos en el interior del aparato, cuando éste haya estado expuesto a la lluvia o a la humedad, no funcione normalmente o se haya caído.



AVISO:
PARA REDUCIR EL RIESGO DE INCENDIOS, DESCARGAS ELÉCTRICAS O DAÑOS EN ESTE APARATO, NO LO EXPONGA A LA LLUVIA, HUMEDAD, GOTEO NI SALPICADURAS, Y NO COLOQUE ENCIMA DE ÉL OBJETOS QUE CONTENGAN LÍQUIDOS COMO, POR EJEMPLO, FLOREROS.

¡ADVERTENCIA!
 PARA MANTENER BIEN VENTILADA ESTA UNIDAD, NO LA INSTALE NI PONGA EN UN ESTANTE DE LIBROS, MUEBLE EMPOTRADO U OTRO ESPACIO DE DIMENSIONES REDUCIDAS. ASEGÚRESE QUE CORTINAS Y OTROS MATERIALES NO OBSTRUYAN LAS CONDICIONES DE VENTILACIÓN PARA PREVENIR EL RIESGO DE SACUDIDAS ELÉCTRICAS O INCENDIOS DEBIDOS AL RECALENTAMIENTO.

La toma de corriente deberá estar instalada cerca del equipo y donde se pueda acceder a ella fácilmente. El enchufe del cable de la alimentación deberá estar siempre listo para ser utilizado. Para desconectar completamente este aparato de la red de CA, desconecte el enchufe del cable de alimentación del receptáculo de CA.

La marca de seguridad se encuentra en la parte inferior de la unidad.

LO QUE SIGUE SE APLICA SOLAMENTE EN LOS ESTADOS UNIDOS Y EL CANADÁ

El aparato que ha adquirido funciona con una pila recargable de níquel metal hidruro (NiMH) reciclable. Si desea información sobre cómo reciclar está pila, puede llamar al teléfono 1-800-8-BATTERY.



Adaptador de CA
 Este adaptador de CA funciona con CA de entre 100 V y 240 V.

SIN EMBARGO:

- En los EE.UU. y Canadá, el cable de alimentación de CA deberá conectarse solamente a una fuente de alimentación de CA de 120 V.
- Cuando conecte el aparato a una fuente de alimentación fuera de los EE.UU. o Canadá, utilice un adaptador para clavija adecuado a la configuración de la toma de CA.
- Cuando conecte a una fuente de alimentación de CA de más de 125 V, asegúrese de que el cable que utilice sea apropiado para la tensión de la fuente de alimentación de CA y para la corriente nominal del adaptador de CA.
- Póngase en contacto con un distribuidor de piezas eléctricas para que le ayude a seleccionar un adaptador para clavija de CA o juego de cable de CA apropiado.

AVISO

Si la batería se reemplaza incorrectamente existe el peligro de que se produzca una explosión. Reemplácela solamente por otra del mismo tipo o de un tipo equivalente recomendado por el fabricante. Deshágase de las baterías usadas de acuerdo con las instrucciones del fabricante.

-Si ve este símbolo-

Información para tirar el producto en países no pertenecientes a la Unión Europea



Este símbolo sólo es válido en la Unión Europea. Si quiere tirar este producto, póngase en contacto con las autoridades de su localidad o con su concesionario y pregunte por el método correcto para hacerlo.

Precauciones

Adaptador de CA

Maneje con cuidado el adaptador de CA. Manejarlo mal puede ser peligroso.

- No lo toque con las manos mojadas.
 - No ponga objetos pesados encima de él.
- Asegúrese de utilizar el adaptador de CA suministrado.

Batería y pilas

- La batería se puede cargar unas 300 veces. Si su tiempo de funcionamiento se reduce considerablemente, deberá cambiarla.
- No mezcle pilas viejas y nuevas ni pilas de tipos diferentes.
- No caliente la batería ni las pilas, y no las exponga a las llamas.
- No intente cargar las pilas secas.
- Retire la batería o las pilas si no va a utilizar la unidad durante un periodo de tiempo largo.
- Lleve y guarde las baterías en la caja de transporte de las mismas para impedir que entren en contacto con objetos metálicos.
- No pele la cubierta de la batería o las pilas, y no las utilice con la cubierta pelada.

El manejo incorrecto de la batería y las pilas puede causar fugas de electrolito, y éste a su vez puede dañar los objetos con los que entra en contacto o causar un incendio.

La unidad

Esta unidad utiliza la banda de frecuencias de radio de 2,4 GHz. Sin embargo, puede que otros equipos inalámbricos utilicen la misma frecuencia. Asegúrese de tener en cuenta lo siguiente para impedir las interferencias de las ondas de radio procedentes de otros equipos.

■ Restricciones a la utilización

Para ser utilizada solamente en su país.

■ Alcance de utilización

El alcance de utilización es de 30 m (98,4 pies) aproximadamente.

El alcance de utilización puede ser inferior dependiendo de la estructura del edificio, el ambiente y los obstáculos que pueda haber entre los auriculares y el transmisor. Los obstáculos como las paredes de hormigón armado y las puertas metálicas obstruyen particularmente las señales del transmisor.

■ Interferencias de otros equipos

Debido a las interferencias de radio, si la unidad se coloca demasiado cerca de otro equipo se pueden producir fallos en el funcionamiento como, por ejemplo, distorsión del sonido. Recomendamos mantener esta unidad tan lejos como sea posible de los dispositivos siguientes:

Dispositivos Bluetooth, LAN inalámbricas, microondas, dispositivos de automatización de oficinas, teléfonos inalámbricos digitales y otros dispositivos electrónicos.

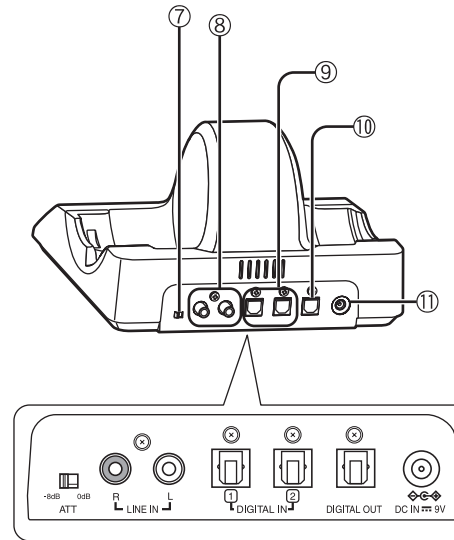
La unidad ha sido diseñada para evitar automáticamente las interferencias de radio de estos dispositivos para el hogar. Sin embargo, el sonido se interrumpirá cuando se produzcan interferencias de radio. En este caso, restablezca la frecuencia más apropiada (véase página 14 [Ajuste de la frecuencia más apropiada]).

■ Utilización de la unidad

- No deje caer, golpee o someta el transmisor o los auriculares a golpes fuertes de ninguna clase porque podrían estropearse.
- No exponga la unidad al agua o a otros líquidos porque podría dañarse.

Guía de referencia de los controles

Panel trasero del transmisor



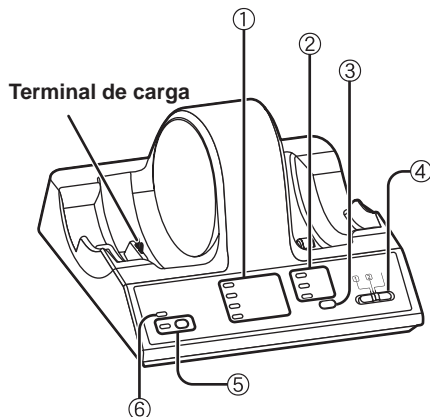
- Control ATT** (véase página 10)
Póngalo en [0 dB] cuando el sonido de una entrada analógica sea bajo. El ajuste estándar es [-8 dB].
- Terminal LINE IN** (véase página 10)
Para conectar a los terminales de salida de audio de un equipo AV tal como una videograbadora o un televisor (no incluido).
- Terminal DIGITAL IN 1, 2 (entrada digital óptica)** (véase página 9)
Para conectar a un equipo digital tal como un reproductor de DVD o a un televisor (no incluido).
- Terminal DIGITAL OUT (salida digital óptica)** (véase página 9)
Sale la misma señal digital que la señal de entrada seleccionada con el control INPUT SELECT.
• Cuando se seleccione ANALOG saldrá la misma señal digital que la señal de entrada introducida en DIGITAL IN 2.

| Control INPUT SELECT | DIGITAL OUT |
|----------------------|--|
| DIGITAL 1 | La misma señal que la señal introducida en DIGITAL 1 |
| DIGITAL 2 | La misma señal que la señal introducida en DIGITAL 2 |
| ANALOG | |

- Terminal DC IN 9V** (véase página 6)
Para conectar al adaptador de CA suministrado. (Utilice solamente el adaptador de CA suministrado. La utilización de otros adaptadores con, por ejemplo, una polaridad diferente es peligrosa y puede dañar la unidad.)

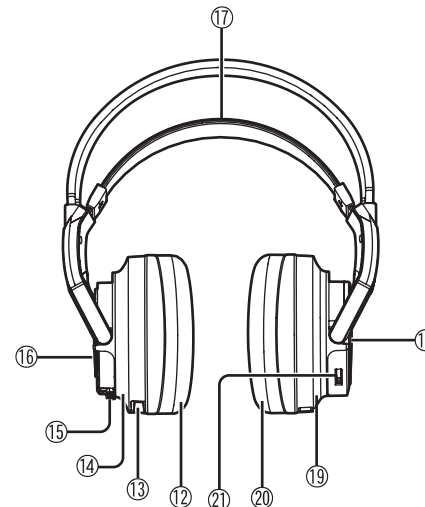
Guía de referencia de los controles

Panel frontal del transmisor



- Luz DECODE MODE** (véase páginas 12 a 13) (DOLBY DIGITAL, DOLBY PRO LOGIC II, DTS, MPEG-2 AAC)
El transmisor distingue automáticamente el método de grabación de la señal de entrada y la luz DECODE MODE se enciende.
- Luz SURROUND** (véase página 14) (MUSIC, CINEMA, VOICE)
- Botón SURROUND** (véase página 14)
Cambie entre MUSIC, CINEMA, VOICE y OFF en SURROUND MODE.
- INPUT SELECT** (véase página 12)
Cambia entre la entrada DIGITAL 1, DIGITAL 2 y ANALOG.
- Botón y luz ID/TUNING** (véase página 14)
Se utiliza cuando las ondas de radio son débiles.
- Luz OPR/CHARGE (funcionamiento/carga)** (véase página 7)
 - Se enciende en rojo cuando los auriculares están cargándose.
 - Se enciende en verde cuando está funcionando el transmisor.
 - Se apaga cuando termina la carga o cuando no se introducen señales de audio durante 5 minutos aproximadamente.

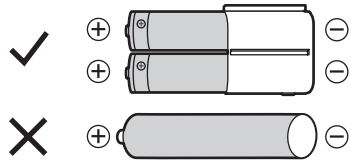
Auriculares



- Almohadilla auricular (izquierda)**
- Terminal de carga**
- Caja izquierda**
- Mando BATT (batería)** (véase página 6)
- Tapa del compartimiento de la batería**
Pulse BATT para abrir la tapa del compartimiento de la batería.
Utilice la batería suministrada o pilas secas alcalinas "LR6, AA" (no incluidas).
- Banda de ajuste libre** (véase página 8)
Los auriculares se encienden automáticamente, y la luz OPR también, cuando usted se pone la banda de ajuste libre en la cabeza.
- Luz OPR (funcionamiento)**
Tire hacia arriba de la banda de ajuste libre y compruebe que se encienda en rojo la luz OPR. Ahora podrá utilizar los auriculares.
- Caja derecha**
- Almohadilla auricular (derecha)**
- Botón ID, control VOL**
VOL: Cuando se ajuste el volumen (véase página 12)

Utilizando la batería (suministrada)

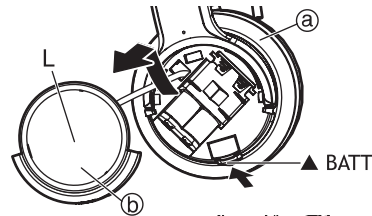
La batería suministrada deberá cargarse antes de utilizar esta unidad.



Batería de níquel-hidruro de metal
 Utilice la batería suministrada o la batería de recambio exclusiva RP-BP6000 (opcional).
Baterías de venta en el comercio
 No puede cargar las baterías de venta en el comercio.

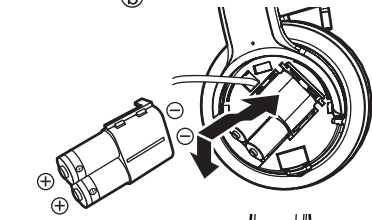
Introducción de la batería de níquel-hidruro de metal suministrada

1 Pulse el botón [BATT] en la caja izquierda **(a)** para abrir la tapa del compartimiento de la batería **(b)** y luego quite la tapa.

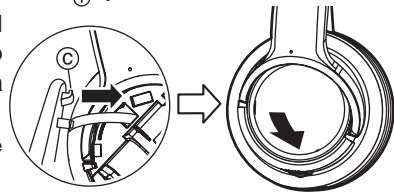


2 Introduzca la batería de níquel-hidruro de metal suministrada.

- Alinee correctamente los polos \oplus y \ominus cuando la introduzca.
 - Empuje hacia abajo el resorte del polo \ominus cuando la introduzca.
- Quite primero el polo \oplus cuando quite la batería.



3 Introduzca el saliente **(c)** de la tapa del compartimiento de la batería en el agujero de la caja izquierda, y luego cierre la tapa del compartimiento de la batería.



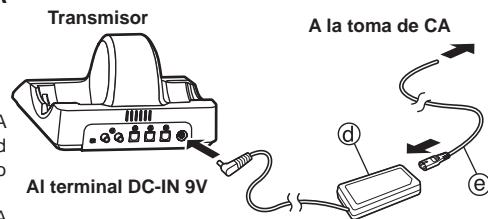
Empuje la tapa del compartimiento de la batería hasta que quede cerrada.

Carga

1 Conecte el adaptador de CA (suministrado) **(d)** al transmisor.

Nota

- El cable de alimentación del adaptador de CA (suministrado) **(e)** es para utilizar con esta unidad solamente. No lo utilice con ningún otro equipo. Y no utilice cables de otros equipos con esta unidad.
- Asegúrese de utilizar el adaptador de CA suministrado.

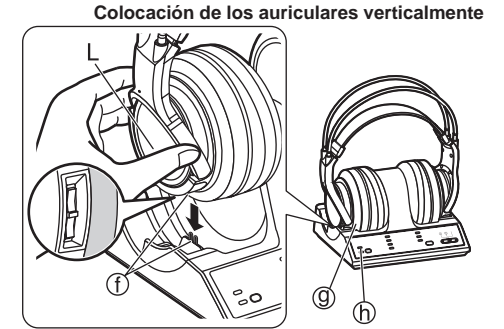


2 Ponga los auriculares en el transmisor asegurándose de que los terminales de carga **(f)** estén en contacto entre sí.

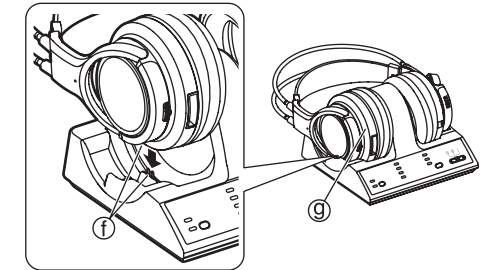
Caja izquierda **(g)**

La batería se puede cargar con los auriculares colocados vertical u horizontalmente.

- La luz OPR/CHARGE **(h)** del transmisor se enciende en rojo.
- La luz OPR/CHARGE **(h)** se apaga cuando la batería está completamente cargada.
- Cuando ponga los auriculares en el transmisor, sujete las cajas derecha e izquierda en cada mano y coloque los auriculares bajándolos rectos sobre el transmisor.



Colocación de los auriculares horizontalmente



Nota

Los auriculares se cargan si vuelven a ponerse en el transmisor después de haber sido cargados completamente.

No siga cargando la batería si no la utiliza entre cargas.

La batería se cargará en exceso causando recalentamiento y fugas de electrolito.

Para su referencia

- La emisión de ondas de radio se detiene automáticamente cuando los auriculares se colocan en el transmisor.
 - Los auriculares pueden utilizarse aunque la batería no esté completamente cargada.
 - Desconecte el adaptador de CA de la toma de corriente si la unidad no va a utilizarse durante un periodo de tiempo largo. Esta unidad consume una pequeña cantidad de energía (1,8 W aproximadamente) si el adaptador de CA está conectado, aunque esté apagado.
- Cuando el adaptador de CA está conectado, la unidad está en la condición de espera. El circuito primario está energizado siempre que el adaptador de CA está conectado a una toma eléctrica.
- Cargue la batería en un ambiente donde la temperatura se encuentre entre 0 °C y 40 °C ya que de lo contrario podría no cargarse completamente.

■ Tiempos de carga y funcionamiento

| Tiempo de carga | Tiempo de funcionamiento ^{*1} |
|---------------------------------------|--|
| 3 horas aproximadamente ^{*2} | 8 horas aproximadamente ^{*3} |

^{*1}A 1 kHz, salida de 1 mW + 1 mW.

^{*2}Tiempo necesario para que se cargue completamente estando descargada.

^{*3}Los tiempos de funcionamiento pueden cambiar dependiendo de la temperatura ambiental y las condiciones de funcionamiento.

Preparativos para el suministro de alimentación: Auriculares

■ Si la luz OPR/CHARGE no se enciende en rojo

Compruebe que los lados derecho e izquierdo de los auriculares estén colocados correctamente en los lados derecho e izquierdo del transmisor.

Compruebe que los terminales de carga de los auriculares y el transmisor estén tocándose entre sí. Ajústelos si no se tocan.

- Cuando haya suciedad en los terminales de carga de los auriculares o del transmisor, quítela suavemente con trocito de algodón, etc.

■ Para cargar la batería después de utilizar los auriculares

Vuelva a poner los auriculares en el transmisor. La luz OPR/CHARGE se enciende en rojo y empieza la carga.

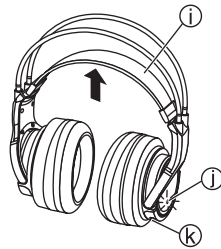
■ Para comprobar la energía restante de la batería

Tire de la banda de ajuste libre ① y compruebe si la luz OPR ① de la caja derecha ② está débil o apagada. Si lo está, esto significa que la batería se ha agotado y deberá ser cargada o reemplazada.

Si el sonido sale distorsionado, intermitente o si hay ruido de fondo excesivo mientras utiliza los auriculares, la batería deberá cargarse o reemplazarse.

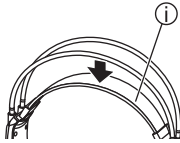
Duración de servicio de la batería suministrada

La batería de níquel-hidruro de metal se puede cargar 300 veces aproximadamente. Si el tiempo de funcionamiento de la batería se reduce considerablemente después de cargarla, la duración de servicio de la batería habrá llegado a su fin. Asegúrese de reemplazarla por la batería exclusiva RP-BP6000 (opcional).



■ La alimentación se desconecta automáticamente cuando usted retira los auriculares. (Función de encendido/apagado automático)

No tire hacia arriba de la banda de ajuste libre ① cuando no utilice los auriculares. Esto puede causar que la función de encendido/apagado automático vuelva a encender los auriculares y la energía de la batería se agote.



Utilizando pilas secas alcalinas (no incluidas)

Utilice pilas secas alcalinas "LR6, AA". Ponga dos pilas alcalinas secas en los auriculares de la misma forma descrita en [Introducción de la batería de níquel-hidruro de metal suministrada]. (índice página 6)

No podrá cargar las pilas secas aunque ponga los auriculares en el transmisor.

■ Tiempo de funcionamiento con las pilas secas

| Tipo de batería | Tiempo de funcionamiento *1 |
|------------------------------|-----------------------------|
| Pilas alcalinas de Panasonic | 6 horas aproximadamente *2 |

*1 A 1 kHz, salida de 1 mW + 1 mW.

*2 Los tiempos de funcionamiento pueden ser diferentes dependiendo de la temperatura ambiental y las condiciones de funcionamiento.

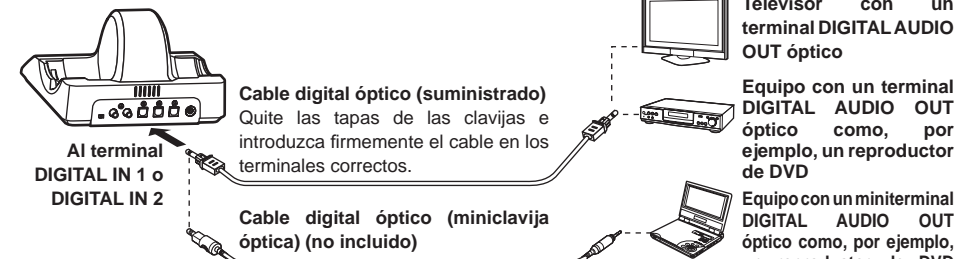
Conexiones

- Antes de conectar, apague el equipo digital o analógico.
- Después de conectar el equipo digital o analógico al transmisor, conecte el adaptador de CA (suministrado) (índice página 6 [Carga] paso 1)
- Consulte/Lea las instrucciones de funcionamiento del equipo conectado.

Conexión de un equipo digital

Utilice el cable digital óptico suministrado para conectar el terminal DIGITAL AUDIO OUT óptico*2 de un televisor o de un reproductor de DVD*1 al terminal DIGITAL IN 1 ó 2 del transmisor.

Transmisor



Cable digital óptico (miniclavija óptica) (no incluido)

Cuando conecte el terminal DIGITAL AUDIO OUT óptico de, por ejemplo, un reproductor de DVD portátil o un reproductor de CD portátil al terminal DIGITAL IN 1 ó 2 del transmisor, utilice el cable digital opcional (miniclavija a clavija aguar) u otro similar.

Para su referencia

- *1 El funcionamiento no se garantiza cuando se conecta al terminal DIGITAL AUDIO OUT óptico de un ordenador.
- *2 Cuando el equipo conectado soporte la salida de PCM solamente, el sonido ambiental se convertirá en DOLBY PRO LOGIC II.

■ Conexión de un amplificador, etc.

Si conecta un equipo de salida digital óptica a los terminales DIGITAL IN 1 y DIGITAL IN 2 y un amplificador de AV (no incluido) al terminal DIGITAL OUT, usted podrá conmutar las entradas sin cambiar el cable digital óptico.

- Con el control INPUT SELECT puede seleccionar al mismo tiempo la señal introducida en esta unidad y la señal de salida al equipo conectado. Cuando se seleccione ANALOG, la señal introducida en DIGITAL 2 saldrá al equipo conectado (amplificador AV, etc.). (índice página 4)
- La señal de entrada no se puede cambiar si el adaptador de CA no está conectado al transmisor.

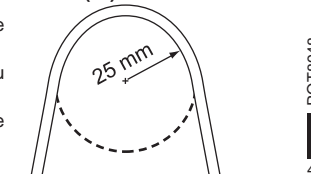
Terminal de salida digital óptica



■ Utilizando un cable digital óptico

- No permita que haya objetos que al caer puedan exponer al cable digital óptico a vibraciones o golpes.
- Sujete las clavijas en sus manos y conecte o desconecte cuidadosamente el cable digital óptico.
- Si los extremos del cable digital óptico se ensucian o acumulan polvo, su eficiencia se reducirá. Manténgalos limpios.
- Por razones de seguridad, coloque tapas en las clavijas y no doble demasiado el cable digital óptico.

El radio de curvatura mínimo del cable digital óptico es de 25 mm (1").



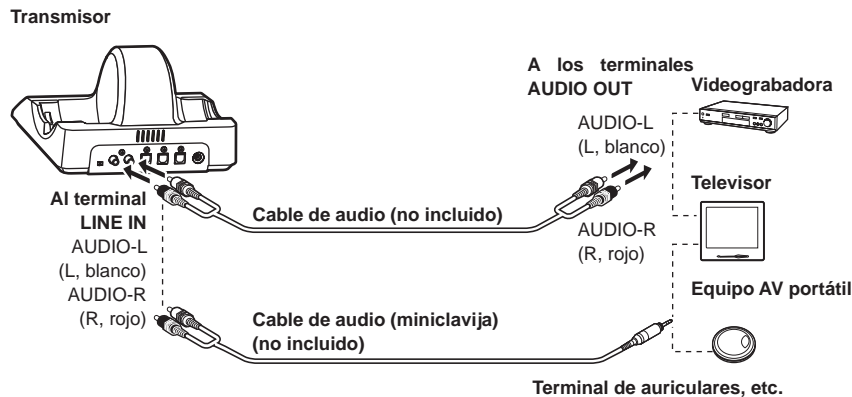
Reproducción de señales DTS

Seleccione la señal de audio DTS en el equipo conectado.

- Para reproducir discos DVD grabados en DTS se necesita un reproductor de DVD compatible con DTS. (Consulte las instrucciones de funcionamiento de su reproductor de DVD para conocer más detalles.)
- Si se ha seleccionado "OFF" para el ajuste digital DTS del reproductor de DVD, puede que el sonido no salga aunque se seleccione la salida DTS en el menú DVD.
- Cuando conecte un reproductor de DVD y esta unidad con una conexión analógica puede que no salga sonido. Cambie a una conexión digital si pasa esto.
- Durante funciones tales como el retroceso y el avance rápido con un DVD del formato DTS puede que se emita algo de ruido. Esto no indica ningún problema con la unidad.

Conexión de un equipo analógico

Utilice un cable de audio cuando conecte los terminales AUDIO OUT de una videgrabadora, televisor, etc. al terminal LINE IN (L/R) del transmisor.

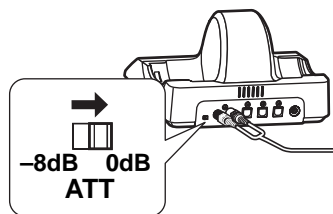


Cable de audio (miniclavija) (no incluido)

Utilice el cable de audio (miniclavija estéreo a clavija de 2 contactos) o similar para conectar el terminal LINE IN del transmisor a una minitoma estéreo de auriculares en el televisor o en el equipo AV portátil. **Si el nivel de salida del televisor o del equipo AV portátil está bajo, puede que se produzca un ruido molesto. Ajuste el volumen de forma que no se distorsione el sonido.**

Control ATT

Cuando el sonido esté bajo con una conexión analógica, ponga el control ATT (atenuador) del panel trasero del transmisor en [0 dB].



| Posición | Fuente |
|----------|--|
| 0 dB | Equipo con un nivel de salida bajo como, por ejemplo, televisores o equipos portátiles |
| -8 dB | Otro equipo (ajuste de fábrica) |

Nota

- Reduzca el volumen antes de cambiar de posición el control ATT.
- Si la entrada del sonido analógico se distorsiona (también podrá haber ruido), ponga el control ATT en [-8 dB].

Esta unidad utiliza ondas de radio para transmitir las señales, así que utilice los auriculares dentro del alcance de las ondas de radio.

Alcance de las ondas de radio

Las ondas de radio tienen un alcance máximo de 30 m (98,4 pies) desde el transmisor.

La frecuencia más apropiada se ajusta automáticamente cuando los auriculares se retiran del transmisor. Cuando los auriculares se utilizan fuera del alcance de las ondas de radio o las ondas de radio se debilitan, el sonido se interrumpe. Acérquese al transmisor o restablezca la frecuencia (página 14 [Ajuste de la frecuencia más apropiada]).

- Como esta unidad utiliza la banda de frecuencia de radio de 2,4 GHz, los obstáculos (como las paredes de hormigón armado y las puertas metálicas) pueden causar interrupciones en el sonido. Ésta es una característica de las ondas de radio, y no es ningún fallo del funcionamiento.
- El sonido que se oye procedente de los auriculares cambiará dependiendo del lugar donde esté instalado el transmisor y el tipo de ubicación en la que éste se utilice. Recomendamos colocar el transmisor donde se reciba el mejor sonido.
- El sonido puede interrumpirse cuando la unidad se utiliza al mismo tiempo que otros equipos que utilizan la banda de frecuencias de radio de 2,4 GHz como, por ejemplo, equipos inalámbricos o de microondas.

Ubicaciones

Evite colocar la unidad en los lugares siguientes

- Lugares con altas temperaturas tales como cerca de aparatos de calefacción o lugares expuestos directamente a la luz del sol
- Lugares con mucho polvo
- Encima de carritos inestables o superficies inclinadas
- Lugares con excesivas vibraciones
- Cuartos de baño u otros lugares donde tiende a formarse humedad

Cuidados al escuchar



Seleccionar un equipo de audio excelente como esta unidad que usted acaba de adquirir sólo es el comienzo para disfrutar de la música. Ahora es el momento de considerar cómo maximizar la diversión y el entusiasmo que su equipo ofrece. Este fabricante y el Grupo de Electrónica para el Consumidor de la Asociación de la Industria Electrónica quieren que usted obtenga el máximo rendimiento de su equipo utilizándolo de una forma segura. Una forma que permita al sonido salir alto y claro, sin molestas estridencias ni distorsiones, y lo que es más importante, sin afectar la sensibilidad de sus oídos.

Le recomendamos que no se exponga a los ruidos excesivamente altos durante mucho tiempo.

El sonido puede ser engañoso. Con el paso del tiempo, su "nivel de confort auditivo" se adapta a los volúmenes más altos del sonido. Así que el sonido que parece "normal" puede ser en realidad alto y dañino para sus oídos. Protéjase contra esto ajustando su equipo a un nivel seguro ANTES de que sus oídos se adapten a un volumen alto.

Para establecer un nivel seguro:

- Empiece a controlar el volumen con un ajuste bajo.
- Suba lentamente el volumen hasta que pueda oír el sonido confortable y claramente, y sin distorsión.

Una vez que haya establecido un nivel de sonido confortable:

- Fije el dial y déjelo en esa posición.

Dedicar un minuto a hacer esto ahora le ayudará a no lesionar sus oídos ni a perder oído en el futuro. Después de todo, queremos que usted conserve su buen oído toda su vida.

Escucha de audio procedente de un equipo conectado al transmisor

Antes de utilizar el transmisor, lea [Conexiones] (índice páginas 9 a 10) y asegúrese de que esté conectado correctamente.

1 Encienda el equipo conectado al transmisor.

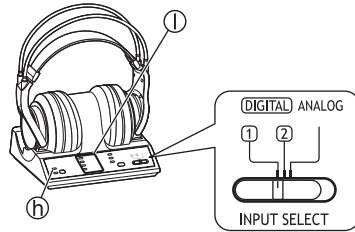


2 Seleccione la señal con [INPUT SELECT].

DIGITAL 1: Para oír sonido procedente del equipo conectado al terminal DIGITAL IN 1 del transmisor.

DIGITAL 2: Para oír sonido procedente del equipo conectado al terminal DIGITAL IN 2 del transmisor.

ANALOG: Para oír sonido procedente del equipo conectado al terminal LINE IN del transmisor.



Nota

Con fuentes de sonido doble (MAIN/SUB), seleccione el sonido deseado en el reproductor o en el televisor conectado a través del terminal LINE IN.

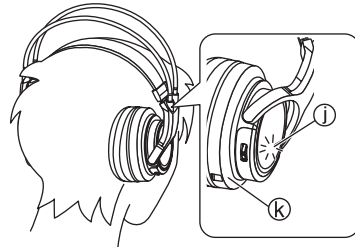
3 Retire los auriculares del transmisor.



4 Póngase los auriculares en la cabeza.

Asegúrese de que los auriculares estén orientados de forma que la caja derecha (R) quede sobre la oreja derecha, y que la caja izquierda (L) quede sobre la oreja izquierda. Luego baje los auriculares sobre su cabeza. Hacer esto asegurará que la función de encendido/apagado automático (índice página 8) funcione correctamente.

• La luz OPR ① de la caja derecha (R) se enciende en rojo y la alimentación se conecta automáticamente.



5 Inicie la reproducción en el equipo seleccionado en el paso 2.

• La luz OPR/CHARGE (h) del transmisor se encenderá en verde y las ondas de radio se emitirán. La frecuencia más apropiada se ajustará automáticamente.

• La luz DECODE MODE ① puede encenderse aproximadamente 5 segundos después dependiendo de la señal enviada desde el equipo conectado.

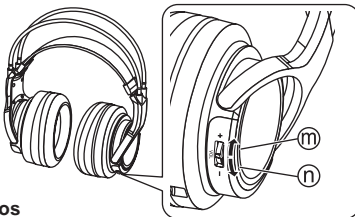
6 Utilice [VOL] para ajustar el volumen.

• El volumen es el mismo que cuando los auriculares fueron utilizados previamente.

• El volumen continuará cambiando mientras el control [VOL] se empuje hacia uno de los lados.

(m) Para subir el volumen

(n) Para bajar el volumen



Consulte página 14 para obtener información de los efectos SURROUND.

Nota

- Cuando vea películas, tenga cuidado para no subir demasiado el volumen durante las escenas más silenciosas. La película podría cambiar a escenas muy ruidosas y usted podría dañar sus oídos si el volumen estuviera demasiado alto.
- Evite escuchar durante periodos largos de tiempo para evitar dañar sus oídos.
- Asegúrese de utilizar los auriculares dentro del alcance de las ondas de radio.
- Deje de utilizar los auriculares si nota molestias. La utilización continuada puede causar sarpullidos u otras reacciones alérgicas.

Para su referencia

- Si desconecta el adaptador de CA del transmisor antes de quitarse los auriculares de la cabeza, puede que se produzcan ruidos de estática.
- La ubicación real del sonido puede ser difícil de reconocer con fuentes de música o audio solamente como, por ejemplo, los CDs de música.
- Esta unidad simula la HRTF* de una persona normal. Sin embargo, las diferencias individuales de la HRTF de los seres humanos significan que los efectos de este sistema cambiarán según los individuos.
* Siglas de Head Related Transfer Function.

■ Tiempo requerido para cambiar modos

El tiempo real requerido para que la unidad cambie a un modo particular después de haber sido seleccionado éste usando el conmutador deslizante del transmisor, puede variar según los modos individuales. Esto se debe a que se utilizan sistemas internos diferentes para cambiar a modos diferentes.

■ Luz DECODE MODE ①

El transmisor distingue automáticamente el método de grabación de la señal de entrada, y esta luz se enciende como se muestra más abajo. Cuando cambie a DOLBY DIGITAL/DTS, etc., hágalo en el equipo conectado, en el reproductor de DVD por ejemplo.

- **DOLBY DIGITAL:** Señales grabadas en el formato DOLBY DIGITAL.
- **DOLBY PRO LOGIC II:** Señales de entrada analógica, señales de entrada digital (señales de 2 canales PCM) y señales de 2 canales DOLBY DIGITAL tratadas como DOLBY PRO LOGIC II. (Seleccione "OFF" en SURROUND MODE (índice página 14) para detener esto.)
- **DTS:** Señales grabadas en el formato DTS.
- **MPEG-2 AAC:** Uno de los formatos de compresión de audio definidos por la norma MPEG-2. Codificación de audio avanzada para el sonido de televisores digitales.

Para su referencia

Cuando se seleccione cualquier función que no sea [PLAY] –el avance o el retroceso rápido, por ejemplo– en el equipo conectado utilizando el terminal DIGITAL IN, la luz DECODE MODE puede que no se encienda correctamente. Sin embargo, si se selecciona [PLAY], la luz se encenderá correctamente.

■ Cuando no pueda oír ningún sonido procedente de los auriculares (Función de silenciamiento)

Si los auriculares se utilizan fuera del alcance de las ondas de radio o si las ondas de radio se debilitan, la recepción empeorará y la función de silenciamiento se activará. Luego no se oír sonido procedente de los auriculares. Si ocurre esto, acérquese al transmisor y la función de silenciamiento se desactivará automáticamente. Si el sonido sigue interrumpido, restablezca los auriculares a la frecuencia más apropiada. (índice página 14 [Ajuste de la frecuencia más apropiada])

■ Si no se recibe señal de audio en el transmisor durante más de 5 minutos aproximadamente

Las ondas de radio que se emiten desde el transmisor se paran automáticamente y la luz OPR/CHARGE del transmisor se apaga. Las ondas de radio empiezan a emitirse de nuevo cuando se recibe una señal de audio. Cuando el audio de entrada (analógico solamente) continúa siendo muy bajo durante más de 5 minutos (aproximadamente), las ondas de radio que están siendo emitidas desde el transmisor podrán pararse. Si pasa esto, aumenten el nivel del sonido del equipo conectado y disminuya el nivel del sonido de los auriculares. Si se introduce una señal de ruido desde el equipo conectado al terminal LINE IN, la salida de las ondas de radio puede no pararse.

Escucha de audio procedente de un equipo conectado al transmisor

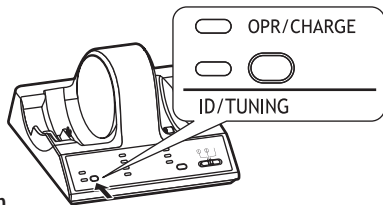
■ Si el sonido se interrumpe o perturba cuando se usan los auriculares (Ajuste de la frecuencia más apropiada)

El sonido puede interrumpirse o perturbarse si los auriculares se utilizan fuera del alcance de las ondas de radio o si la recepción empeora debido a la interferencia de otro equipo inalámbrico que utiliza la banda de frecuencias de radio de 2,4 GHz, un equipo de microondas, etc.

Realice los pasos siguientes para restablecer manualmente la frecuencia apropiada para la transmisión.

Pulse una vez [ID/TUNING] en el transmisor.

- La luz ID/TUNING del transmisor se enciende en verde, el transmisor cambia la frecuencia y luego las ondas de radio empiezan a transmitirse.
- Los auriculares detectarán automáticamente la frecuencia emitida, y el ruido y la distorsión del sonido desaparecerán.



Cuando el ruido o la distorsión del sonido no desaparecen

Repita el paso de arriba hasta ajustar la frecuencia más apropiada.

- Esta podría no ser la solución del problema si los auriculares están siendo afectados por un teléfono inalámbrico digital o algún otro dispositivo. En este caso, puede que el ruido o la distorsión del sonido desaparezcan trasladando el transmisor y los auriculares tan lejos como sea posible del teléfono inalámbrico digital o de algún otro dispositivo.

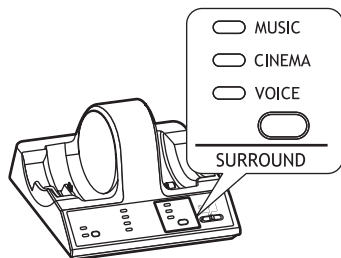
Selección del campo de sonido ambiental

Pulse [SURROUND] para seleccionar el modo de sonido ambiental deseado.

Cada vez que se pulsa el botón

▶ OFF → MUSIC → CINEMA → VOICE

- La luz SURROUND para el modo seleccionado se encenderá.
- Ésta se apagará si se selecciona "OFF".
- Si el adaptador de CA se desconecta y luego se conecta, CINEMA se seleccionará automáticamente.



| Modo de sonido ambiental | Modo de sonido ambiental y fuente de entrada apropiada |
|--------------------------|--|
| OFF | Para la reproducción normal con auriculares |
| MUSIC | Cuando reproduzca fuentes de música para obtener efectos acústicos mejorados. |
| CINEMA | Cuando reproduzca fuentes de película para obtener un impacto de audio superior. Crea una sensación próxima a la de formar realmente parte de la escena. |
| VOICE | Cuando reproduce fuentes de juegos de deportes. Reproduce el entusiasmo de estar en un estadio, dentro de una escena ruidosa de un deporte, mientras hace que el sonido del presentador o del comentarista pueda oírse más fácilmente. |

Para su referencia

- Dependiendo de la señal que está siendo introducida, el volumen puede variar cuando se cambia entre modos de sonido ambiental.
- Cuando se reproduce una fuente mono no hay efecto de sonido ambiental.

Mantenimiento

Para limpiar esta unidad, pase por ella un paño blando y seco.

- No utilice nunca alcohol, diluyente de pintura o bencina para limpiar esta unidad.
- Antes de utilizar un paño tratado químicamente, lea cuidadosamente las instrucciones entregadas con el paño.

Guía para la solución de problemas

Haga las verificaciones indicadas abajo antes de solicitar el servicio de reparaciones. Si tiene alguna duda acerca de alguno de los puntos de verificación, o si los remedios indicados en la tabla no solucionan el problema: Consulte la "Garantía limitada" de la página 66 si usted reside en los EE.UU., o la de la página 67 si reside en Canadá.

Cuando acuda a su concesionario, lleve los auriculares y el transmisor.

| Problema | Causa posible y remedio sugerido |
|-------------------------------|---|
| No hay sonido. | <ul style="list-style-type: none"> ➔ Verifique que el adaptador de CA esté conectado al transmisor (👉 página 6). ➔ Verifique que el transmisor y el equipo de AV estén conectados (👉 páginas 9 y 10). ➔ Encienda el equipo AV conectado al transmisor e inicie la reproducción en él. Verifique que la luz OPR/CHARGE del transmisor se encienda en color verde (👉 página 12). ➔ Verifique que el control INPUT SELECT del transmisor esté ajustado correctamente para el equipo conectado (👉 página 12). ➔ Si el transmisor está conectado a la toma de auriculares, suba el volumen en el equipo conectado (👉 página 10). ➔ Vuelva a ponerse los auriculares. ➔ Suba el volumen de los auriculares (👉 página 12). ➔ La función de silenciamiento se activa (👉 página 13). <ul style="list-style-type: none"> • Póngase dentro del alcance de las ondas de radio. ➔ La luz OPR de los auriculares no se enciende (👉 página 8). <ul style="list-style-type: none"> • La batería suministrada se ha agotado. Cárguela o reemplace las pilas secas alcalinas por otras nuevas. Si la luz OPR sigue apagada, lleve la unidad a su concesionario. ➔ Ponga el ajuste de salida digital del equipo conectado en "ON" si se selecciona la entrada digital. ➔ Usted está reproduciendo una pista de audio DTS en un reproductor de DVD que no es compatible con DTS (👉 página 10). <ul style="list-style-type: none"> • Utilice un reproductor de DVD compatible con DTS o seleccione una pista Dolby Digital o PCM. ➔ Está reproduciendo un DVD grabado en audio DTS en un reproductor de DVD (incluye consolas de juegos) cuando "OFF" ha sido seleccionado para el ajuste de salida digital DTS del reproductor de DVD (👉 página 10). <ul style="list-style-type: none"> • Ponga el ajuste de salida digital DTS del reproductor de DVD en "ON". ➔ Está reproduciendo un DVD grabado en audio DTS en un reproductor de DVD (incluye consolas de juegos) conectado a esta unidad con una conexión analógica (👉 página 10). |
| El sonido está bajo. | <ul style="list-style-type: none"> ➔ Si se selecciona la entrada analógica, ponga el control ATT del transmisor en "0 dB" (👉 página 10). ➔ Si el transmisor se conecta a la toma de auriculares, suba el volumen en el equipo conectado (👉 página 10). ➔ Suba el volumen en los auriculares (👉 página 12). |
| El sonido está distorsionado. | <ul style="list-style-type: none"> ➔ Si se selecciona la entrada analógica, ponga el control ATT del transmisor en "- 8 dB" (👉 página 10). ➔ Si el transmisor se conecta a la toma de auriculares, baje el volumen en el equipo conectado (👉 página 10). ➔ Ponga "CINEMA", "MUSIC" o "VOICE" con el botón SURROUND del transmisor cuando se reproduzca una fuente DTS. |

| Problema | Causa posible y remedio sugerido |
|---|--|
| El sonido se interrumpe (también se puede oír ruido). | <ul style="list-style-type: none"> ➔ Cambie la ubicación del transmisor. Permanezca dentro del alcance del transmisor (🔊 página 11). ➔ La luz OPR de los auriculares se oscurece. El sonido se distorsiona, sale intermitentemente o hay un ruido de fondo excesivo durante la utilización (🔊 página 8). <ul style="list-style-type: none"> ● La batería se ha agotado. Cárguela o cambie las pilas secas alcalinas por otras nuevas. ➔ Asegúrese de que no haya otro equipo que utilice la banda de frecuencias de radio de 2,4 GHz como, por ejemplo, equipos inalámbricos o de microondas cerca del transmisor o los auriculares (🔊 página 3). ➔ Ajuste la frecuencia más apropiada (🔊 página 14 [Ajuste de la frecuencia más apropiada]). |
| El ruido de fondo es excesivo. | <ul style="list-style-type: none"> ➔ Si el transmisor está conectado a la toma de los auriculares, suba el volumen en el equipo conectado (🔊 página 10). ➔ La luz OPR de los auriculares se oscurece. El sonido se distorsiona, sale intermitentemente o hay un ruido de fondo excesivo durante la utilización. (🔊 página 8). <ul style="list-style-type: none"> ● La batería se ha agotado. Cárguela o cambie las pilas secas alcalinas por otras nuevas. ➔ Asegúrese de que no haya otro equipo que utilice la banda de frecuencias de radio de 2,4 GHz como, por ejemplo, equipos inalámbricos o de microondas cerca del transmisor o los auriculares (🔊 página 3). ➔ Ajuste la frecuencia más apropiada (🔊 página 14 [Ajuste de la frecuencia más apropiada]). |
| No se puede oír audio mientras está seleccionado el sonido analógico. | <ul style="list-style-type: none"> ➔ Cuando el audio introducido (analógico solamente) continúe siendo muy bajo durante más de 5 minutos (aproximadamente), las ondas de radio que están siendo emitidas desde el transmisor podrán pararse (🔊 página 13). En este caso, realice los pasos siguientes. <ol style="list-style-type: none"> 1. Ponga el control ATT del transmisor en "0 dB" (🔊 página 10). Si el audio sigue sin poder oírse todavía 2. Aumente el nivel del sonido en el equipo conectado a la entrada analógica y baje el nivel del sonido en los auriculares. |
| No hay efecto de sonido ambiental. | <ul style="list-style-type: none"> ➔ Ponga "CINEMA", "MUSIC" o "VOICE" con el botón SURROUND del transmisor (🔊 página 14). ➔ La señal de entrada de audio no es multicanal. No hay efecto de sonido ambiental cuando se reproduce una fuente mono (🔊 página 14). |
| La luz DOLBY DIGITAL no se enciende. | <ul style="list-style-type: none"> ➔ Usted ha seleccionado "PCM" para el ajuste de salida digital de audio en el reproductor de DVD (incluye consolas de juegos). <ul style="list-style-type: none"> ● Seleccione "Dolby Digital/PCM" o "Dolby Digital" si el reproductor de DVD tiene un decodificador Dolby Digital interno. ➔ Usted está reproduciendo una señal que no ha sido grabada en el formato DOLBY DIGITAL. ➔ El capítulo que se está reproduciendo no es del formato DOLBY DIGITAL. |
| La luz DOLBY PRO LOGIC II no se enciende. | <ul style="list-style-type: none"> ➔ Usted ha puesto el botón SURROUND del transmisor en "OFF" (🔊 página 13). ➔ No hay señales de entrada analógica, señales de entrada digital (PCM), señales de 2 canales Dolby Digital o señales de 2 canales MPEG-2 AAC que estén siendo introducidas. |
| La luz DOLBY PRO LOGIC II se enciende. | <ul style="list-style-type: none"> ➔ Usted ha puesto el botón SURROUND del transmisor en un ajuste que no es "OFF" (🔊 página 13). ➔ Están siendo introducidas señales de entrada analógica, señales de entrada digital (PCM), señales de 2 canales Dolby Digital o señales de 2 canales MPEG-2 AAC. |

| Problema | Causa posible y remedio sugerido |
|--|---|
| La luz DTS no se enciende. | <ul style="list-style-type: none"> ➔ Usted ha seleccionado "OFF" para el ajuste de salida digital DTS del reproductor de DVD (🔊 página 10). <ul style="list-style-type: none"> ● Consulte las instrucciones de funcionamiento del reproductor de DVD y ponga el ajuste de salida digital DTS del reproductor de DVD en "ON". ➔ Usted está reproduciendo una señal que no está grabada en el formato DTS. ➔ El capítulo que está siendo reproducido no es del formato DTS. ➔ El reproductor de DVD no es compatible con DTS (🔊 página 10). <ul style="list-style-type: none"> ● Utilice un reproductor de DVD compatible con DTS. |
| La luz MPEG-2 AAC no se enciende. | <ul style="list-style-type: none"> ➔ El ajuste de salida del televisor es "PCM". <ul style="list-style-type: none"> ● Consulte las instrucciones de funcionamiento del televisor y ajuste el televisor para dar salida a señales MPEG-2 AAC. |
| No se puede seleccionar audio doble (MAIN/SUB) cuando la entrada es digital. | <ul style="list-style-type: none"> ➔ Conecte la salida de audio analógica del equipo al terminal LINE IN y seleccione el sonido deseado en el equipo conectado (🔊 página 12). |
| No se puede cargar. | <ul style="list-style-type: none"> ➔ La luz OPR/CHARGE del transmisor no se enciende en color rojo (🔊 página 7). <ul style="list-style-type: none"> ● Compruebe que los auriculares estén colocados correctamente en el transmisor. ➔ Se ha introducido una pila seca. <ul style="list-style-type: none"> ● Asegúrese de introducir la batería de níquel-hidruro de metal suministrada. ➔ Se ha introducido una batería de níquel-hidruro de metal diferente de la suministrada. <ul style="list-style-type: none"> ● Introduzca la batería de níquel-hidruro de metal suministrada o una batería de recambio exclusiva RP-BP6000 (opcional). (🔊 página 6) ➔ Hay suciedad en los terminales de carga de los auriculares o del transmisor (🔊 página 8). <ul style="list-style-type: none"> ● Retírela suavemente con un trocito de algodón, etc. |
| La salida de ondas de radio no para. | <ul style="list-style-type: none"> ➔ Se está recibiendo una señal de ruido procedente del equipo conectado. <ul style="list-style-type: none"> ● Apague el equipo conectado. |

Especificaciones

■ Transmisor (RP-WF6000T)

Función de decodificador

Dolby Digital, Dolby Pro Logic II, DTS, MPEG-2 AAC

Función de sonido ambiental

OFF, MUSIC, CINEMA, VOICE

Método de modulación

DSSS [Direct-Sequence Spread Spectrum] (Espectro extendido de secuencia directa)

Frecuencia de transmisión

2,412 GHz a 2,462 GHz

Distancia de transmisión

30 metros (98,4 pies) aproximadamente

Respuesta de frecuencia

10 Hz a 24.000 Hz

Factor de distorsión

Menos de 0,1 % (1 kHz)

Entrada de audio

Entrada digital óptica (tipo TOS Link) x 2

Entrada analógica (tipo RCA, izquierda/derecha) x 1

Salida de audio

Salida digital óptica (tipo TOS Link) (Pasante) x 1

Alimentación

CC 9 V (utilizando el adaptador de CA suministrado)

Dimensiones (An x Al x Prof)

178 mm x 105,5 mm x 161,5 mm
(7" x 4-1/8" x 6-3/8")

Peso

Aprox. 355 g (12,5 onza)

■ Auriculares (RP-WF6000H)

Respuesta de frecuencia

10 Hz a 24.000 Hz

Alimentación

Batería de níquel-hidruro de metal suministrada (1 par) o pilas secas alcalinas "LR6, AA" de venta en el comercio (2) (no incluidas)

Peso

Aprox. 380 g (13,4 onza) (Incluyendo la batería de níquel-hidruro de metal suministrada)

■ Transmisor y auriculares en la posición de carga

Dimensiones (An x Al x Prof)

202 mm x 244 mm x 161,5 mm (7-15/16" x 9-5/8" x 6-3/8") (Posición vertical)

202 mm x 115 mm x 270 mm (7-15/16 in. x 4-1/2" x 10-5/8") (Posición horizontal)

■ Adaptador de CA (RFX5726)

Entrada

100 - 240 V CA, 50/60 Hz

Salida

9 V CC, 2 A

Consumo

30 W


Consumo del adaptador de CA en el modo de espera (cuando se conecte al transmisor)

1,8 W aproximadamente

Nota

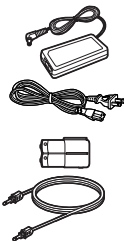
Las especificaciones están sujetas a cambios sin previo aviso.

Acessórios fornecidos

-  Verificar e identificar os acessórios fornecidos.

Use os números indicados em parêntesis quando solicitando peças de reposição. "A partir de dezembro de 2006"

- Adaptador CA 1 (RF5726)
- Fio do adaptador CA 1 (K2CB2CB00018)
- Pilhas recarregáveis de níquel-metal-hidreto exclusivas 1 (RP-BP6000)
- Cabo óptico digital 1 (Aprox. 2 metros (6,6 pés)) (K7CXJFA00001)



As peças de reposição podem ser diferentes das ilustradas.

Sumário

| | |
|--|-----------|
| Características | 2 |
| INSTRUÇÕES IMPORTANTES SOBRE SEGURANÇA | 3 |
| Precauções | 4 |
| Guia de referência dos controles | 4 |
| Painel frontal do transmissor | 4 |
| Painel traseiro do transmissor | 5 |
| Fones de ouvido | 5 |
| Preparativos para o fornecimento de energia: | |
| Fones de ouvido | 6 |
| Usar as pilhas recarregáveis (fornecidas) | 6 |
| Usar pilhas secas alcalinas (não incluídas) | 8 |
| Conexões | 9 |
| Conectar equipamento digital | 9 |
| Conectar equipamento analógico | 10 |
| Posicionamento do transmissor e dos fones de ouvido | 11 |
| Cuidados ao ouvir | 11 |
| Ouvir o som de um aparelho conectado ao transmissor | 12 |
| Selecionar o campo surround | 14 |
| Manutenção | 14 |
| Guia para solução de problemas | 15 |
| Especificações | 17 |

O número do modelo e o número de série deste produto podem ser encontrados na parte traseira ou inferior do aparelho.

Favor anotá-los no espaço providenciado abaixo e guardar para referência futura.

NÚMERO DO MODELO RP-WF6000
NÚMERO DE SÉRIE _____

Memo para o usuário:

DATA DE COMPRA _____
NOME DO AGENTE _____
ENDEREÇO DO AGENTE _____
NÚMERO DE TELEFONE _____

Assistência técnica ao produto

Não tente retirar a(s) tampa(s) ou reparar o aparelho. A assistência só deve ser efetuada por pessoal qualificado.

Informações sobre o produto

Para obter assistência, informações ou ajuda sobre a utilização do produto, consulte a lista de centros de assistência. (Páginas 66 e 67)

Características

O RP-WF6000 é um sistema de fones de ouvido surround digital sem fio que utiliza a banda de 2,4 GHz de radiofrequência para a transmissão digital.

Pode-se desfrutar de múltiplos canais surround quando ouvindo com os fones de ouvido.

- Os fones de ouvido são compatíveis com Dolby Digital, Dolby Pro Logic II, DTS, Dolby Digital Surround EX e DTS-ES.

- Os fones de ouvido são compatíveis com o formato de áudio MPEG-2 AAC.

- Os fones de ouvido usam transmissão digital sem fio sem compressão que oferece qualidade sonora semelhante à de um CD e é resistente ao ruído externo.

- A tecnologia "Personal Surround" desenvolvida pela Panasonic e a unidade do driver de alta qualidade e diâmetro extenso de Ø50 mm (1-15/16 pol.) significam que você pode apreciar a presença potente do áudio surround a partir desses fones de ouvido.

- Os fones de ouvido têm um alcance de recepção de aproximadamente 30 metros (98,4 pés). Este alcance varia dependendo das condições em que os fones de ouvido são usados.

- Os fones de ouvido são carregados simplesmente colocando-os no transmissor (3 horas para carregamento rápido).

- Os fones de ouvido podem ser colocados no transmissor de duas maneiras diferentes. (As pilhas podem ser carregadas em ambas as posições.)

- Este aparelho tem dois terminais de entrada óptica digital (OPTICAL DIGITAL IN) e um terminal de saída óptica digital (OPTICAL DIGITAL OUT) (pass-through (passagem)).

- Se não entrar nenhum sinal de áudio por mais de aproximadamente 5 minutos, as ondas de rádio sendo emitidas do transmissor são interrompidas automaticamente para reduzir o consumo de energia.

- O aro de cabeça possui um mecanismo auto-ajustável que elimina a necessidade de o ajustar.

- Os fones de ouvido têm uma função automática de ligar/desligar (AUTO POWER ON/OFF) que liga a alimentação automaticamente ao colocá-los e a desliga ao retirá-los.

- Um único controle de volume regula ambos o volume direito e o esquerdo dos fones de ouvido.

- Os fones de ouvido funcionam com as pilhas recarregáveis de níquel-metal-hidreto fornecidas ou com pilhas secas alcalinas "LR6, AA" (não incluídas).

- A função de silenciamento (MUTING) elimina ruídos se os fones de ouvido forem usados fora do alcance efetivo.

- Os fones de ouvido são confortáveis de usar graças ao material aveludado que é macio e permeável.

Este transmissor possui um decodificador DTS, um decodificador Dolby Digital, um decodificador Dolby Pro Logic II e um decodificador MPEG-2 AAC.

Fabricado sob licença da Digital Theater Systems, Inc. Patentes americanas n.ºs. 5,451,942; 5,956,674; 5,974,380; 5,978,762; 6,487,535 e outras patentes publicadas nos Estados Unidos bem como patentes publicadas mundialmente e patentes pendentes. "DTS" e "DTS Virtual" são marcas registradas da Digital Theater Systems, Inc. Copyright 1996, 2003 Digital Theater Systems, Inc. Todos os direitos reservados.

Fabricado sob licença da Dolby Laboratories. Dolby, Pro Logic e o símbolo de D duplo são marcas registradas da Dolby Laboratories.

INSTRUÇÕES IMPORTANTES SOBRE SEGURANÇA

Leia cuidadosamente este manual de instruções antes de usar o aparelho. Siga as instruções de segurança no aparelho bem como as instruções de segurança pertinentes listadas abaixo. Mantenha este manual à mão para futuras referências.

- 1) Leia estas instruções.
- 2) Guarde estas instruções.
- 3) Observe todas as advertências.
- 4) Siga todas as instruções.
- 5) Não utilize o aparelho perto de água.
- 6) Limpe somente com um pano seco.
- 7) Não obstrua as aberturas de ventilação. Instale de acordo com as instruções do fabricante.
- 8) Não instale perto de fontes de calor tais como radiadores, saídas de ar quente, fogões e outros aparelhos que produzem calor (inclusive amplificadores).
- 9) Não anule o propósito de segurança do plugue polarizado ou plugue para aterramento. Um plugue polarizado tem dois pinos, sendo que um é mais ancho que o outro. Um plugue para aterramento tem dois pinos mais um terceiro para aterrar. O pino mais ancho ou o terceiro pino são fornecidos para sua segurança. Se o plugue fornecido não for compatível com a tomada, contate um electricista para trocar a tomada obsoleta.

10) Proteja o cabo de alimentação e evite que o mesmo seja pisado ou preso em plugues, nas tomadas convenientes e no ponto onde sai do aparelho.

11) Utilize somente os acessórios especificados pelo fabricante.

12) Utilize somente com o carrinho, suporte, tripé, console ou mesa especificada pelo fabricante ou à venda com o aparelho.

Se usar um carrinho, tenha cuidado quando movimentando ambos o carrinho e o aparelho para evitar que tombem e cause ferimentos.

13) Desconecte o aparelho durante temporal com relâmpagos ou quando não for usá-lo por um longo período de tempo.

14) Leve o aparelho para ser consertado por pessoal técnico qualificado. É necessário consertar sempre que o aparelho sofra qualquer dano, como quando o cabo de alimentação ou plugue estiver danificado, se cair água ou qualquer outro objeto dentro do aparelho, se o aparelho for exposto à chuva ou umidade, se não funcionar devidamente ou se o aparelho cair.



AVISO:

PARA REDUZIR O RISCO DE INCÊNDIO, CHOQUE ELÉTRICO OU AVARIAS, NÃO EXPONHA O APARELHO À CHUVA, UMIDADE, PINGOS OU SALPICOS NEM COLOQUE EM CIMA DELE OBJETOS COM LÍQUIDOS COMO, POR EXEMPLO, UM JARRO.

AVISO!

NÃO INSTALE OU COLOQUE ESTE APARELHO DENTRO DE UMA ESTANTE, ARMÁRIO EMBUTIDO OU QUALQUER OUTRO ESPAÇO FECHADO. VERIFIQUE SE EXISTE UMA BOA VENTILAÇÃO PARA O APARELHO. PARA EVITAR O RISCO DE CHOQUE ELÉTRICO OU INCÊNDIO PROVOCADO POR SOBREAQUECIMENTO, CERTIFIQUE-SE DE QUE AS ABERTURAS DE VENTILAÇÃO NÃO ESTÃO TAPADAS COM AS CORTINAS OU QUALQUER OUTRO MATERIAL.

A tomada de energia deve estar instalada próxima do aparelho e ser de fácil acesso.

O plugue do fio de alimentação deve estar sempre à disposição para utilização.

Para desligar o aparelho completamente da fonte de energia de CA, desligue o plugue do fio de alimentação da tomada de CA.

O sinal da marca encontra-se no fundo da unidade.

O SEGUINTE APLICA-SE SOMENTE NOS ESTADOS E NO CANADÁ UNIDOS

O aparelho adquirido funciona com pilhas recarregáveis de níquel-metal-hidreto. Por favor, ligue para 1-800-8-BATTERY para informações sobre como reciclar as pilhas.



Adaptador CA

Este adaptador funciona com CA entre 100 V e 240 V. MAS

- Nos Estados Unidos e Canadá, o cabo de alimentação de CA deve ser ligado somente a uma tomada de CA de 120 V.

- Quando ligar a uma tomada de CA fora dos Estados Unidos ou Canadá, utilize um adaptador de plugue que seja compatível com a configuração da tomada de CA.

- Quando ligar a uma tomada que seja superior a 125 V CA, certifique-se de que o cabo seja compatível com a tensão do fornecimento de CA e a corrente nominal do adaptador CA.

- Contate um distribuidor de peças elétricas para obter assistência ao selecionar um plugue CA compatível ou um conjunto de cabo de CA.

CUIDADO

Há perigo de explosão se as pilhas forem substituídas incorretamente.

Substitua somente com o mesmo tipo ou equivalente recomendado pelo fabricante.

Descarte as pilhas usadas de acordo com as instruções do fabricante.

-Se vir este símbolo-

Informações sobre o descarte em países fora da União Européia



Este símbolo só é válido na União Européia.

Se deseja descartar este produto, por favor entre em contato com as autoridades locais ou revendedor e obtenha informações sobre o procedimento correto de descarte..

Precauções

Adaptador CA

Manuseie o adaptador CA com cuidado. O manuseio inadequado pode ser muito perigoso.

- Não o toque com as mãos molhadas.
 - Não coloque objetos pesados sobre o mesmo.
- Use somente o adaptador CA fornecido.

Pilhas

- As pilhas recarregáveis podem ser recarregadas cerca de 300 vezes. Se o tempo de funcionamento tornar-se extremamente curto, é necessário trocá-las.
- Não misture pilhas novas com pilhas usadas nem pilhas de tipos diferentes.
- Não aqueça as pilhas nem exponha-as a chamas.
- Não recarregue pilhas secas convencionais.
- Remova as pilhas se o aparelho não for ser usado por um longo período de tempo.
- Transporte e guarde as pilhas recarregáveis no estojo para evitar o contato com objetos metálicos.
- Não descasque a cobertura das pilhas e não use-as se estiverem descascando.

O manuseio incorreto das pilhas pode causar o vazamento de eletrólito, que pode danificar os objetos que entram em contato com o fluido e pode ainda causar um incêndio.

O aparelho

Este aparelho usa a banda de 2,4 GHz de radiofrequência. No entanto, outros aparelhos sem fio podem usar a mesma frequência. Observe o seguinte para prevenir a interferência de ondas de rádio de outros equipamentos.

Restrição de uso

Para uso somente no seu país.

Alcance de uso

O alcance de uso é de aproximadamente 30 m (98,4 pés). O alcance pode ser inferior dependendo da estrutura do edifício, do ambiente e de obstáculos entre os fones de ouvido e o transmissor. Obstáculos como paredes de concreto reforçado e portas metálicas tendem a obstruir os sinais do transmissor.

Interferência de outros equipamentos

Devido à interferência de rádio, é possível que ocorra distorção sonora se o aparelho for colocado muito perto de outros equipamentos. É recomendável manter este aparelho o mais afastado possível dos seguintes dispositivos:

Dispositivos Bluetooth, wireless LAN, microondas, sistemas de automação de escritório, telefones digitais sem fio e outros dispositivos eletrônicos.

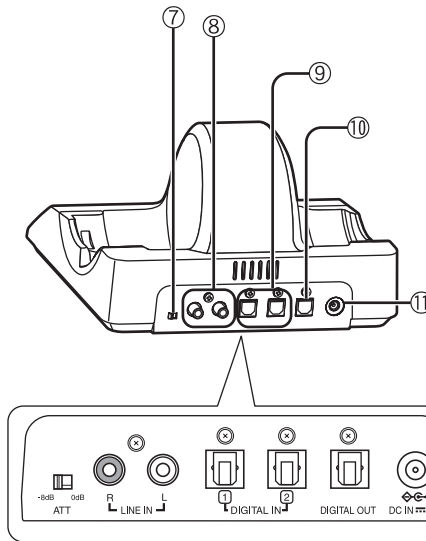
O aparelho foi projetado para evitar automaticamente a interferência desses aparelhos domésticos. No entanto, o som será interrompido quando houver interferência de rádio. Nesse caso, sintonize outra vez a melhor frequência (veja página 14 [Sintonizar a melhor frequência]).

Uso do aparelho

- Não derrube, bata nem submeta o transmissor e os fones de ouvido a qualquer tipo de impacto forte, pois pode danificá-los.
- Não exponha o aparelho à água ou qualquer outro líquido, pois pode danificá-lo.

Guia de referência dos controles

Painel traseiro do transmissor



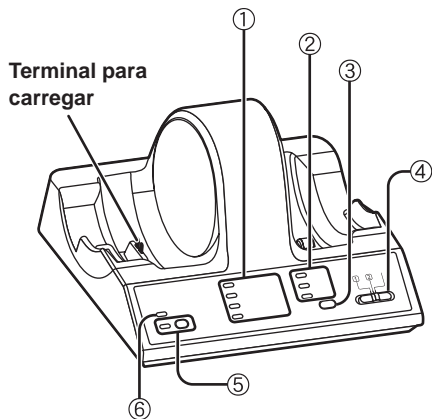
- 7 **Controle ATT** (veja página 10)
Altera para [0 dB] quando o som de uma entrada analógica for baixo. A regulação normal é [-8 dB].
- 8 **Terminal LINE IN** (veja página 10)
Para ligar os terminais de saída de áudio de aparelhos audiovisuais tais como um videocassete ou televisor (não fornecidos).
- 9 **Terminais DIGITAL IN 1, 2 (entrada óptica digital)** (veja página 9)
Para ligar a aparelhos digitais como um leitor de DVD ou televisor (não fornecido).
- 10 **Terminal DIGITAL OUT (saída óptica digital)** (veja página 9)
É produzido o mesmo sinal digital que o sinal de entrada selecionado por meio do controle INPUT SELECT.
• Quando ANALOG é selecionado, é produzido o mesmo sinal digital que o sinal de entrada de DIGITAL IN 2.

| Controle INPUT SELECT | DIGITAL OUT |
|-----------------------|---|
| DIGITAL 1 | O mesmo sinal que o sinal de entrada de DIGITAL 1 |
| DIGITAL 2 | O mesmo sinal que o sinal de entrada de DIGITAL 2 |
| ANALOG | |

- 11 **Terminal DC IN 9V** (veja página 6)
Para ligar o adaptador CA fornecido.
(Use apenas o adaptador CA fornecido. O uso de outros adaptadores CA com polaridade de plugue diferente, por exemplo, é perigoso e pode danificar o aparelho.)

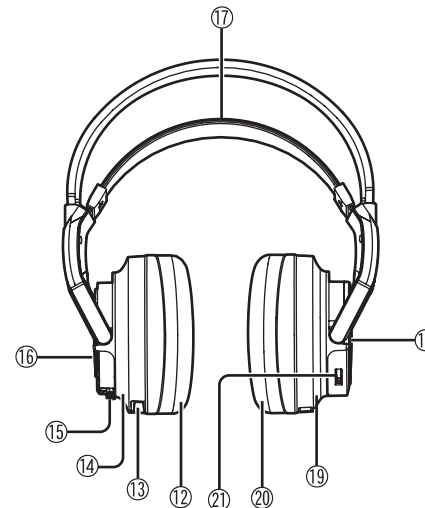
Guia de referência dos controles

Painel frontal do transmissor



- 1 **Lâmpada DECODE MODE** (veja páginas 12 e 13) (DOLBY DIGITAL, DOLBY PRO LOGIC II, DTS, MPEG-2 AAC)
O transmissor distingue automaticamente o método de gravação dos sinais de entrada e a lâmpada DECODE MODE acende-se.
- 2 **Lâmpada SURROUND** (veja página 14) (MUSIC, CINEMA, VOICE)
- 3 **Botão SURROUND** (veja página 14)
Altera entre MUSIC, CINEMA, VOICE e OFF no SURROUND MODE.
- 4 **INPUT SELECT** (veja página 12)
Altera entre as entradas DIGITAL 1, DIGITAL 2 e ANALOG.
- 5 **Lâmpada e botão ID/TUNING** (veja página 14)
Use quando as ondas de rádio forem fracas.
- 6 **Lâmpada OPR/CHARGE (funcionamento/carregar)** (veja página 7)
 - Acende-se em vermelho quando os fones de ouvido estão sendo carregados.
 - Acende-se em verde quando o transmissor está emitindo informações.
 - Apaga-se quando a carga estiver completa ou se não receber sinais de áudio por aproximadamente cinco minutos.

Fones de ouvido

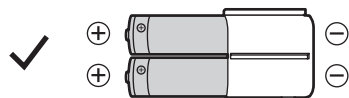


- 12 **Almofada da orelha (esquerda)**
- 13 **Terminal para carregar**
- 14 **Caixa esquerda**
- 15 **Botão BATT (bateria)** (veja página 6)
- 16 **Tampa do compartimento das pilhas**
Pressione BATT para abrir a tampa do compartimento das pilhas. Use as pilhas recarregáveis fornecidas ou pilhas secas alcalinas "LR6, AA" (não fornecidas).
- 17 **Aro auto-ajustável** (veja página 8)
A alimentação é ligada automaticamente e a lâmpada OPR acende-se ao colocar o aro auto-ajustável.
- 18 **Lâmpada OPR (funcionamento)**
Puxe o aro auto-ajustável para cima e verifique se a lâmpada OPR acende-se em vermelho. Agora você pode usar os fones de ouvido.
- 19 **Caixa direita**
- 20 **Almofada da orelha (direita)**
- 21 **Botão ID, controle VOL**
VOL: Para regular o volume (veja página 12)

Preparativos para o fornecimento de energia: Fones de ouvido

Usar as pilhas recarregáveis (fornecidas)

As pilhas recarregáveis fornecidas devem ser carregadas antes de usar este aparelho.



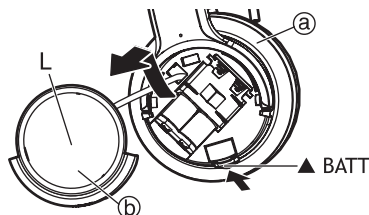
Pilhas recarregáveis de níquel-metal-hidreto
Use as pilhas fornecidas ou pilhas exclusivas de substituição RP-BP6000 (opcional).



Pilhas recarregáveis à venda
Não é possível carregar as pilhas recarregáveis à venda.

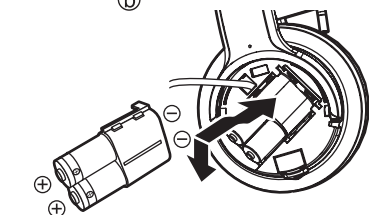
Colocação das pilhas recarregáveis de níquel-metal-hidreto fornecidas

1 Pressione o botão [BATT] na caixa esquerda (a) para abrir a tampa do compartimento das pilhas (b) e retire-as.



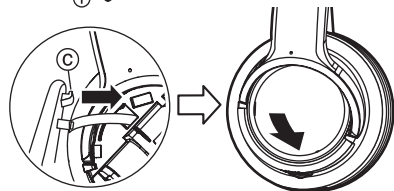
2 Coloque as pilhas recarregáveis de níquel-metal-hidreto fornecidas.

- Alinhe os pólos (+) e (-) corretamente ao colocar.
 - Aperte a mola do pólo (-) para colocar.
- Remova os pólos (+) primeiro.



3 Coloque a nervura (c) da tampa do compartimento das pilhas no orifício da caixa esquerda e feche a tampa.

Aperte a tampa do compartimento das pilhas até que a mesma se trave.

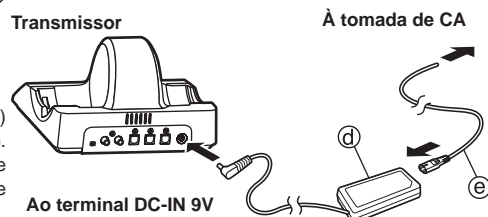


Carregamento

1 Conecte o adaptador CA (d) (fornecido) ao transmissor.

Nota

- O cabo de alimentação do adaptador CA (fornecido) (e) é para ser usado somente com este aparelho. Não use-o com outros aparelhos. Também não use cabos de alimentação de outros equipamentos neste aparelho.
- Use o adaptador CA fornecido.

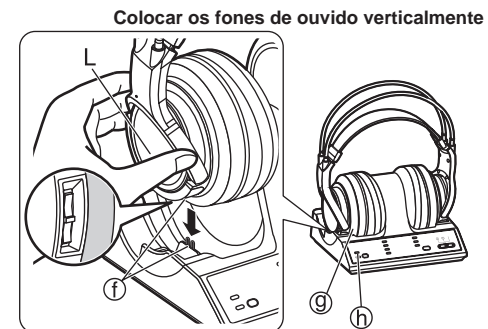


2 Coloque os fones de ouvido no transmissor verificando se os terminais para carregar (f) estão em contato.

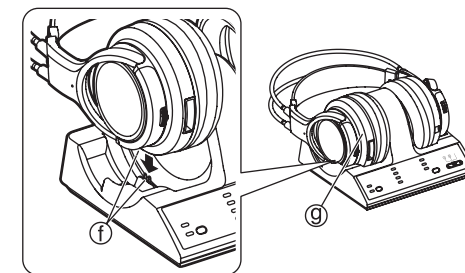
(g) Caixa esquerda

As pilhas podem ser carregadas com os fones de ouvido colocados vertical ou horizontalmente.

- A lâmpada OPR/CHARGE (h) do transmissor acende-se em vermelho.
- A lâmpada OPR/CHARGE (h) apaga-se quando as pilhas estiverem completamente carregadas.
- Para colocar os fones de ouvido no transmissor, segure as caixas direita e esquerda em cada mão e coloque os fones de ouvido diretamente sobre o transmissor.



Colocar os fones de ouvido horizontalmente



Nota

Os fones de ouvido serão carregados se forem colocados de volta no transmissor após terem sido carregados.

Não recarregue as pilhas se não as usar entre os carregamentos.

As pilhas ficarão sobrecarregadas causando o superaquecimento e possível vazamento de eletrólito.

Para sua referência

- A emissão de ondas de rádio pára automaticamente ao colocar os fones de ouvido no transmissor.
 - Os fones de ouvido podem ser usados mesmo que as pilhas não estejam completamente carregadas.
 - Desligue o adaptador CA da tomada de CA se não for usar o aparelho por um longo período de tempo. Este aparelho consome um pouco de energia (aprox. 1,8 W) se o adaptador CA estiver conectado, mesmo quando está desligado.
- O aparelho fica na condição de espera quando o adaptador CA está conectado. O circuito primário estará sempre "ligado" desde que o adaptador CA esteja conectado a uma tomada de energia.
- Carregue as pilhas em um local com temperatura ambiente de 0 °C a 40 °C, caso contrário as mesmas não poderão ser carregadas completamente.

Tempos para carregar e de funcionamento

| Tempo para carregar | Tempo de funcionamento *1 |
|---------------------|---------------------------|
| Aprox. 3 horas *2 | Aprox. 8 horas *3 |

*1 Em saída de 1 kHz, 1 mW + 1 mW.

*2 Tempo necessário para carregar completamente quando descarregada.

*3 O tempo de funcionamento pode variar dependendo da temperatura ambiente e das condições de operação.

Preparativos para o fornecimento de energia: Fones de ouvido

■ Se a lâmpada OPR/CHARGE não acender em vermelho

Verifique se os lados direito e esquerdo dos fones de ouvido estão colocados corretamente nos lados direito e esquerdo do transmissor.

Verifique se os terminais para carregar dos fones de ouvido e do transmissor estão em contato. Ajuste-os se não estiverem em contato.

- Se notar qualquer sujeira nos terminais para carregar dos fones de ouvido ou do transmissor, limpe cuidadosamente com um cotonete, etc.

■ Para carregar as pilhas após usar os fones de ouvido

Coloque os fones de ouvido de volta no transmissor. A lâmpada OPR/CHARGE acende-se em vermelho e começa a carregar.

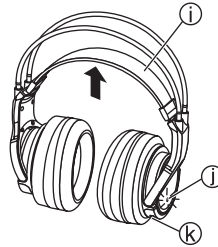
■ Verificar a carga restante das pilhas

Puxe para cima o aro auto-ajustável ① e verifique se a lâmpada OPR ② na caixa direita ③ está débil ou desligada. Isso significa que as pilhas estão descarregadas e devem ser recarregadas ou trocadas.

Se o som apresentar distorção, for intermitente ou se houver ruído de fundo excessivo ao usar os fones de ouvido, deve-se recarregar ou trocar as pilhas.

■ Vida útil das pilhas recarregáveis fornecidas

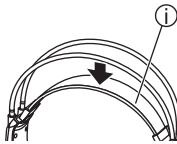
As pilhas recarregáveis de níquel-metal-hidreto fornecidas podem ser carregadas cerca de 300 vezes. Se o tempo de duração das pilhas recarregáveis tornar-se curto demais após recarregar, significa que as pilhas chegaram ao fim de sua vida útil. Troque-as por pilhas recarregáveis exclusivas RP-BP6000 (opcional).



■ A alimentação desliga-se automaticamente ao retirar os fones de ouvido.

(Função automática de ligar/desligar)

Não puxe o aro auto-ajustável ① para cima quando não estiver usando os fones de ouvido. Isso pode fazer com que a função automática de ligar/desligar ligue os fones de ouvido outra vez e descarregar as pilhas.



Usar pilhas secas alcalinas (não incluídas)

Use pilhas secas alcalinas "LR6, AA". Coloque as duas pilhas alcalinas nos fones de ouvido como descrito em [Colocação das pilhas recarregáveis de níquel-metal-hidreto fornecidas] (página 6).

Não é possível carregar as pilhas secas mesmo que coloque os fones de ouvido no transmissor.

■ Tempos de funcionamento para pilhas secas

| Tipo de pilha | Tempo de funcionamento *1 |
|----------------------------|---------------------------|
| Pilhas alcalinas Panasonic | Aprox. 6 horas *2 |

*1 Em saída de 1 kHz, 1 mW + 1 mW.

*2 O tempo de funcionamento pode variar dependendo da temperatura ambiente e das condições de operação.

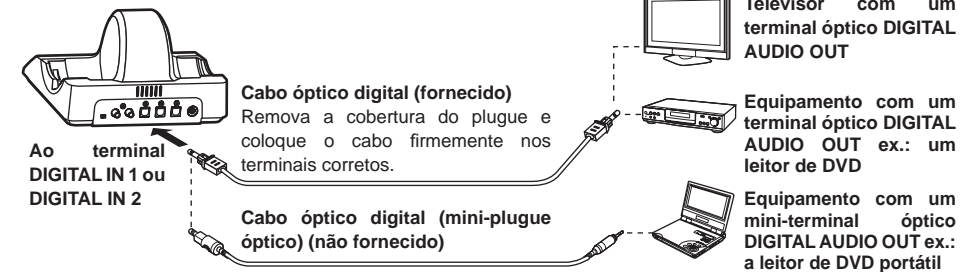
Conexões

- Desligue o equipamento digital ou analógico antes de conectar.
- Depois de conectar o equipamento digital ou analógico ao transmissor, conecte o adaptador CA (fornecido) (página 6 [Carregamento] passo 1)
- Consulte ao manual de instruções do aparelho conectado.

Conectar equipamento digital

Use o cabo óptico digital fornecido para conectar o terminal óptico DIGITAL AUDIO OUT*2 de um televisor ou leitor de DVD*1 ao terminal DIGITAL IN 1 ou 2 do transmissor.

Transmissor



Cabo óptico digital (mini-plugue óptico) (não incluído)

Para conectar o terminal óptico DIGITAL AUDIO OUT de um leitor de CD ou leitor de DVD portátil, por exemplo, ao terminal DIGITAL IN 1 ou 2 do transmissor, use o cabo óptico digital (mini-plugue a plugue angular) ou semelhante.

Para sua referência

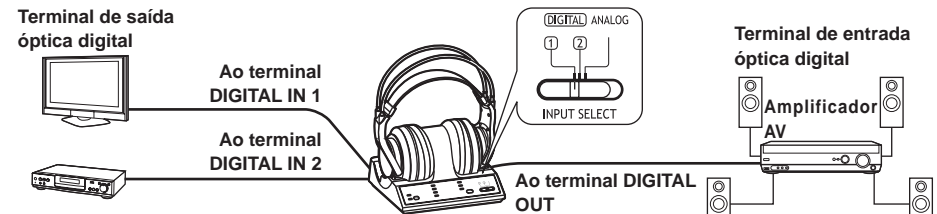
*1 O funcionamento não é garantido quando conectando ao terminal óptico DIGITAL AUDIO OUT de um computador.

*2 Se o equipamento conectado for compatível somente com saída PCM, o som surround se tornará DOLBY PRO LOGIC II.

■ Conectar um amplificador, etc.

Se conectar um equipamento com saída óptica digital aos terminais DIGITAL IN 1 e DIGITAL IN 2 e um amplificador AV (não incluído) ao terminal DIGITAL OUT, é possível alterar a entrada sem mudar o cabo óptico digital.

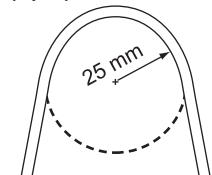
- É possível selecionar o sinal de entrada deste aparelho e o sinal de saída do equipamento conectado ao mesmo tempo com o controle INPUT SELECT. Se selecionar ANALOG, o sinal de entrada de DIGITAL 2 é reproduzido no equipamento conectado (amplificador AV, etc.) (página 4)
- Não é possível mudar o sinal de entrada se o adaptador CA não estiver conectado ao transmissor.



■ Usar um cabo óptico digital

- Evite que objetos caiam sobre o cabo óptico digital submetendo-o a vibração e impactos.
- Segure nos plugues e conecte ou desconecte o cabo óptico digital cuidadosamente.
- Se as extremidades do cabo óptico digital ficarem sujas ou empoeiradas, a eficiência diminui. Mantenha-as sempre limpas.
- Por motivos de segurança, fixe as coberturas dos plugues e não entorte demais o cabo óptico digital.

O raio mínimo de curvatura do cabo óptico digital é 25 mm (1 pol.).



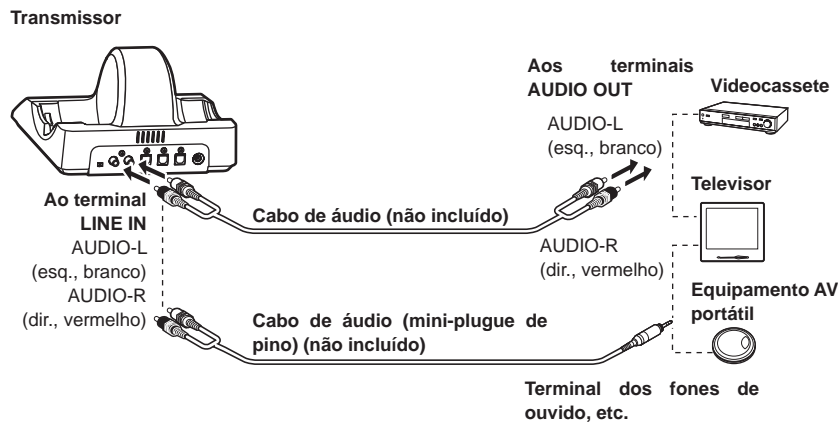
Reprodução de sinais DTS

Selecione o sinal de áudio DTS no equipamento conectado.

- É necessário um leitor de DVD compatível com DTS para reproduzir DVDs gravados com sistema DTS. (Consulte o manual de instruções do seu leitor de DVD para maiores detalhes.)
- Se selecionar "OFF" para a configuração digital do DTS do leitor de DVD, não será possível ouvir o som mesmo que selecione saída DTS no menu DVD.
- Se ligar o leitor de DVD e este aparelho através de conexão analógica, pode acontecer de não ouvir o som. Se isso ocorrer, mude para conexão digital.
- Pode ser que ouça ruídos emitidos durante funções tais como avanço rápido ou retrocesso com um DVD de formato DTS. Isso não indica problemas com o aparelho.

Conectar equipamento analógico

Para conectar os terminais AUDIO OUT de um videocassete, televisor, etc. ao terminal LINE IN (L/R) do transmissor, use um cabo de áudio.

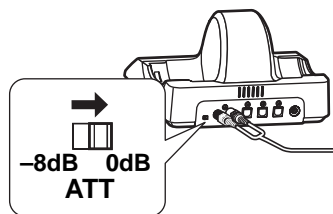


Cabo de áudio (mini-plugue de pino) (não incluído)

Use o cabo de áudio (mini-plugue estéreo ao plugue de 2 pinos) ou semelhante para conectar o terminal LINE IN do transmissor à mini-tomada estéreo dos fones de ouvido no televisor ou equipamento audiovisual portátil. **Se o nível de saída do televisor ou equipamento audiovisual portátil estiver regulado para baixo, pode ser que ouça ruídos indesejados. Regule o volume de forma que não haja distorção do som.**

Controle ATT

Se o som for baixo com conexão analógica, coloque o controle ATT (atenuador), localizado no painel traseiro do transmissor, na posição [0 dB].



| Posição | Fonte |
|---------|---|
| 0 dB | Aparelhos com nível baixo de saída, como televisores e equipamentos portáteis |
| -8 dB | Outros aparelhos (configuração de fábrica) |

Nota

- Reduza o volume antes de alterar o controle ATT.
- Se ocorrer distorção do som da entrada analógica (pode haver ruído também), mude o controle ATT para [-8 dB].

Como este aparelho utiliza ondas de rádio para transmitir os sinais, use os fones de ouvido dentro da zona de alcance das ondas de rádio.

Alcance das ondas de rádio

As ondas de rádio têm um alcance máximo de 30 m (98,4 pés.) a partir do transmissor.

A melhor frequência é automaticamente sintonizada quando os fones de ouvido são retirados do transmissor. O som será cortado se usar os fones de ouvido fora da faixa de alcance das ondas de rádio ou se as ondas forem fracas. Aproxime-se do transmissor ou ajuste a frequência (veja página 14 [Sintonizar a melhor frequência]).

- Como este aparelho utiliza a banda de 2,4 GHz de radiofrequência, o som pode ser cortado por obstáculos (como paredes de concreto reforçado e portas metálicas). Esta é uma característica das ondas de rádio e não é mau funcionamento.
- O som ouvido através dos fones de ouvido varia conforme a localização do transmissor e do tipo do local onde é usado. É recomendável posicionar o transmissor no local de melhor recepção.
- O som pode ser cortado se usar o aparelho ao mesmo tempo que outros equipamentos que usem a banda de 2,4 GHz de radiofrequência, como aparelhos sem fio e microondas.

Localização

Evite colocar o aparelho nos seguintes locais:

- Locais com alta temperatura, como próximo a aparelhos de aquecimento ou exposto diretamente à luz solar
- Locais com muita poeira
- Sobre carrinhos instáveis ou superfícies inclinadas
- Locais com muita vibração
- Banheiros ou outros ambientes úmidos

Cuidados ao ouvir



Escolher um equipamento de áudio de boa qualidade tal como este aparelho que acaba de adquirir é só o começo do seu prazer em ouvir música. Agora é importante considerar como maximizar a satisfação e o prazer que o aparelho oferece. O fabricante e o grupo de eletrônica do consumidor da associação das indústrias eletrônicas (Electronic Industries Association's Consumer Electronics Group) querem que você aproveite ao máximo do seu aparelho, ouvindo num nível seguro. Um nível que faz com o som saia claro e nítido sem distorções irritantes e, principalmente, sem afetar a sua audição sensitiva.

É recomendável evitar a exposição prolongada a ruídos excessivos.

O som pode enganar. Com o passar do tempo, o seu "nível confortável de audição" se adapta a volumes mais altos de som. Assim, o que soa "normal" pode na verdade ser alto e perigoso para a sua audição.

Proteja-se contra esse perigo regulando o seu aparelho num nível seguro ANTES que a sua audição se adapte.

Para estabelecer um nível seguro:

- Inicie com o controle VOL num ajuste baixo.
- Aumente o som devagar até que possa ouvir clara e confortavelmente e sem distorção.

Uma vez estabelecido um nível de som confortável:

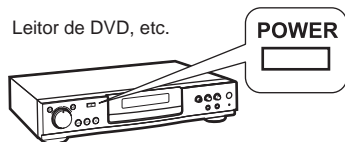
- Regule o controle e deixe-o naquela posição.

Fazer isso agora o ajudará a prevenir contra problemas ou perda de audição no futuro. Afinal, queremos que você continue ouvindo para sempre.

Ouvir o som de um aparelho conectado ao transmissor

Antes de usar o transmissor, leia [Conexões] (ícone páginas 9 e 10) e certifique-se de conectá-lo corretamente.

1 Ligue o aparelho conectado ao transmissor.

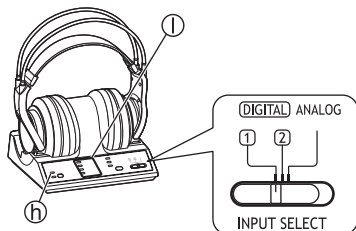


2 Selecione o sinal com [INPUT SELECT].

DIGITAL 1: Para ouvir o som do equipamento conectado ao terminal DIGITAL IN 1 do transmissor.

DIGITAL 2: Para ouvir o som do equipamento conectado ao terminal DIGITAL IN 2 do transmissor.

ANALOG: Para ouvir o som do equipamento conectado ao terminal LINE IN do transmissor.



Nota

No caso de fontes sonoras duplas, (MAIN/SUB), selecione o som desejado no leitor ou televisor conectado através do terminal LINE IN.

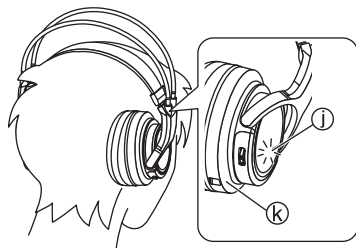
3 Retire os fones de ouvido do transmissor.



4 Coloque os fones de ouvido sobre o cabeça.

Verifique se os fones de ouvido estão voltados para a direção certa, com a caixa direita (R) ficando sobre o ouvido direito e a caixa esquerda (L) sobre o ouvido esquerdo. A seguir, coloque os fones de ouvido sobre a cabeça. Isso fará com que a função automática de ligar/desligar (ícone página 8) funcione corretamente.

• A lâmpada OPR ① na caixa direita (K) acende-se em vermelho e a alimentação é ligada automaticamente.



5 Inicie a reprodução no equipamento selecionado no passo 2.

• A lâmpada OPR/CHARGE ② do transmissor acende-se em verde e as ondas de rádio são emitidas. A melhor frequência será sintonizada automaticamente.

• A lâmpada DECODE MODE ① acende-se aproximadamente 5 segundos depois, dependendo do sinal enviado a partir do equipamento conectado.

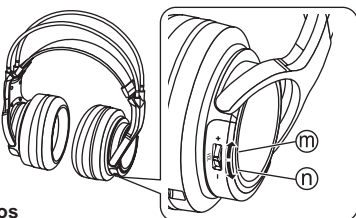
6 Use [VOL] para regular o volume.

• O volume é o mesmo que quando da última vez que usou os fones de ouvido.

• O volume continua mudando enquanto se pressiona o controle [VOL] para qualquer lado.

Ⓜ Para aumentar o volume

Ⓨ Para diminuir o volume



Nota

- Quando assistindo filmes, lembre-se de não aumentar o volume demais durante cenas em voz baixa. O filme pode passar para uma cena de sons muito altos de repente, o que poderia prejudicar a sua audição se o volume estiver muito alto.
- Evite escutar com os fones de ouvido por períodos prolongados para prevenir danos à audição.
- Use os fones de ouvido dentro da faixa de alcance das ondas de rádio.
- Deixe de usar se sentir qualquer desconforto. O uso contínuo pode provocar rashes cutâneos ou outras reações alérgicas.

Para sua referência

- Se desconectar o adaptador CA do transmissor antes de tirar os fones de ouvido, pode gerar ruídos estáticos.
- A localização real do som pode ser difícil de ser reconhecida através de fontes só de música e áudio, tal como CDs de música.
- Este aparelho simula o HRTF* de uma pessoa média. No entanto, as diferenças individuais no HRTF do ser humano significam que o efeito desse sistema será diferente para cada indivíduo.

* Abreviação de Head Related Transfer Function (função de transferência relativa à cabeça).

Tempo necessário para mudança de modos

O tempo real necessário para que o aparelho mude para um modo específico, após selecionar com o interruptor deslizante do transmissor, varia de acordo com cada modo. Isso é devido aos diferentes sistemas internos sendo utilizados para alterar os modos.

Lâmpada DECODE MODE ①

O transmissor distingue automaticamente o método de gravação do sinal de entrada e a lâmpada acende-se como indicado abaixo. Para mudar para DOLBY DIGITAL/DTS, etc., faça a mudança no equipamento conectado, como no leitor de DVD, por exemplo.

- **DOLBY DIGITAL:** Sinais gravados em formato DOLBY DIGITAL.
- **DOLBY PRO LOGIC II:** Sinais de entrada analógica, sinais de entrada digital (sinais PCM de 2 canais) e sinais DOLBY DIGITAL de 2 canais são tratados como DOLBY PRO LOGIC II. (Selecione "OFF" no modo SURROUND (ícone página 14) para interromper este processo).
- **DTS:** Sinais gravados em formato DTS.
- **MPEG-2 AAC:** Um dos formatos de compressão de áudio definidos pelo standard MPEG-2. A codificação avançada de áudio é utilizada para o som em televisores digitais.

Para sua referência

Se selecionar qualquer função diferente de [PLAY], tal como avanço rápido ou retrocesso, no equipamento conectado usando o terminal DIGITAL IN, a lâmpada DECODE MODE pode não acender devidamente. No entanto, se selecionar [PLAY], ela acenderá corretamente.

Quando não ouvir nenhum som dos fones de ouvido (Função MUTING)

Se usar os fones de ouvido fora do alcance das ondas de rádio ou se as ondas forem fracas, a recepção diminui e a função MUTING (silenciamento) é ativada. A partir de então, nenhum som será ouvido através dos fones de ouvido. Se isso ocorrer, aproxime-se do transmissor e a função MUTING será desativada automaticamente. Se o som continuar a ser cortado, sintonize os fones de ouvido na melhor frequência. (ícone página 14 [Sintonizar a melhor frequência])

Se não receber nenhum sinal de áudio no transmissor por cerca de 5 minutos

As ondas de rádio sendo emitidas pelo transmissor serão interrompidas automaticamente e a lâmpada OPR/CHARGE do transmissor apaga-se. As ondas serão emitidas novamente assim que receber um sinal de áudio. Se o áudio de entrada (apenas analógico) continuar a ser muito baixo por mais de 5 minutos (aproximadamente), as ondas de rádio sendo emitidas pelo transmissor podem ser interrompidas. Se isso ocorrer, aumente o nível do volume do equipamento conectado e diminua o nível do volume dos fones de ouvido.

Se um sinal de ruído do equipamento conectado entrar através do terminal LINE IN, a saída das ondas de rádio pode continuar.

Ouvir o som de um aparelho conectado ao transmissor

Se ouvir o som cortado ou com ruído ao usar os fones de ouvido (Sintonizar a melhor frequência)

O som pode ser cortado ou ter ruídos se os fones de ouvido forem usados fora da faixa de alcance das ondas de rádio ou se a recepção for ruim devido a interferência de outros aparelhos sem fio usando a banda de 2,4 GHz de radiofrequência, de um microondas, etc.

Siga os passos abaixo para sintonizar manualmente a melhor frequência para transmissão.

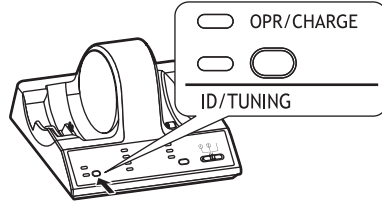
Pressione [ID/TUNING] uma vez no transmissor.

- A lâmpada ID/TUNING do transmissor acende-se em verde, o transmissor muda a frequência e as ondas de rádio começam a ser transmitidas.
- Os fones de ouvido detectam automaticamente a frequência emitida e o ruído e a distorção sonora são eliminados.

Se o ruído e a distorção sonora continuarem

Repita os passos acima até sintonizar a melhor frequência.

- Isto pode não resolver o problema se os fones de ouvido estiverem sendo afetados por um telefone digital sem fio ou outros dispositivos. Nesse caso, afastar o transmissor e os fones de ouvido o máximo possível do telefone digital sem fio ou do dispositivo pode eliminar o ruído e a distorção sonora.



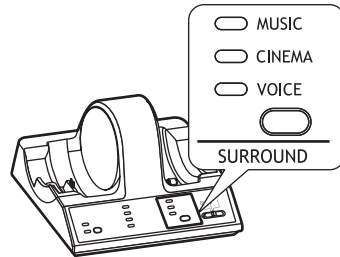
Selecionar o campo surround

Pressione [SURROUND] para selecionar o modo surround desejado.

Cada vez que pressionar o botão

OFF → MUSIC → CINEMA → VOICE

- A lâmpada SURROUND do modo selecionado acende-se.
- A lâmpada se apagará se selecionar "OFF".
- Se desconectar e conectar outra vez o adaptador CA, CINEMA será selecionado automaticamente.



| Modo surround | Modo surround e fonte de entrada apropriada |
|---------------|---|
| OFF | Para reprodução normal de fones de ouvido |
| MUSIC | Quando reproduzindo fontes musicais para acústica intensificada |
| CINEMA | Quando reproduzindo fontes cinematográficas para um maior impacto sonoro Cria a sensação de estar num estúdio dentro de uma cena esportiva animada |
| VOICE | Quando reproduzindo fontes esportivas Reproduz a sensação de estar num estúdio dentro de uma cena esportiva animada enquanto facilita ouvir as palavras do comentarista. |

Para sua referência

- O volume pode variar quando alterando entre os modos surround, dependendo do sinal de entrada.
- Não há efeito surround ao reproduzir uma fonte monofônica.

Manutenção

Use um pano macio e seco para limpar o aparelho.

- Nunca use álcool, diluente ou gasolina para limpar o aparelho.
- Antes de usar panos quimicamente tratados, leia cuidadosamente as instruções que os acompanham.

Guia para solução de problemas

Antes de solicitar assistência técnica, verifique os pontos abaixo. Se tiver dúvidas sobre alguns dos pontos verificados ou se as soluções oferecidas não resolverem o problema:

Consulte a seção "Garantia limitada" na página 66, se residir nos E.U.A., ou a seção "Garantia limitada" na página 67, se residir no Canadá.

Leve os fones de ouvido e o transmissor ao representante.

| Problema | Causa provável e solução sugerida |
|----------------------|--|
| Não ouve-se o som. | <ul style="list-style-type: none"> ➔ Verifique se o adaptador CA está conectado ao transmissor (☞ página 6). ➔ Verifique se o transmissor e o equipamento audiovisual estão conectados (☞ páginas 9 e 10). ➔ Ligue o equipamento audiovisual conectado ao transmissor e inicie a reprodução. Verifique se a lâmpada OPR/CHARGE do transmissor acende-se em verde (☞ página 12). ➔ Verifique se o controle INPUT SELECT do transmissor está regulado corretamente no equipamento conectado (☞ página 12). ➔ Se o transmissor estiver conectado à tomada dos fones de ouvido, aumente o volume do equipamento conectado (☞ página 10). ➔ Coloque os fones de ouvido outra vez. ➔ Aumente o volume dos fones de ouvido (☞ página 12). ➔ A função de silenciamento (MUTING) está ativada (☞ página 13). <ul style="list-style-type: none"> • Aproxime-se da faixa de alcance das ondas de rádio. ➔ A lâmpada OPR dos fones de ouvido não está acesa (☞ página 8). <ul style="list-style-type: none"> • As pilhas recarregáveis fornecidas estão esgotadas. Recarregue-as ou troque as pilhas secas alcalinas por novas. Se a lâmpada OPR continuar desligada, leve o aparelho ao seu representante. ➔ Ajuste a saída digital do aparelho conectado em "ON" se selecionou a entrada digital. ➔ Você está reproduzindo uma faixa de áudio DTS num leitor de DVD incompatível com DTS (☞ página 10). <ul style="list-style-type: none"> • Use um leitor de DVD compatível com DTS ou selecione uma faixa PCM ou Dolby Digital. ➔ Você está reproduzindo um DVD gravado em áudio DTS num leitor de DVD (inclusive máquinas de games) com uma saída digital DTS do leitor de DVD ajustada em "OFF" (☞ página 10). <ul style="list-style-type: none"> • Ajuste a saída digital DTS do leitor de DVD em "ON". ➔ Você está reproduzindo um DVD gravado em áudio DTS num leitor de DVD (inclusive máquinas de games) ligado a esse aparelho com conexão analógica (☞ página 10). |
| O som é muito baixo. | <ul style="list-style-type: none"> ➔ Se selecionou a entrada analógica, mude o controle ATT do transmissor para "0 dB" (☞ página 10). ➔ Se o transmissor estiver conectado à tomada dos fones de ouvido, aumente o volume do equipamento conectado (☞ página 10). ➔ Aumente o volume dos fones de ouvido (☞ página 12). |
| Há distorção sonora. | <ul style="list-style-type: none"> ➔ Se selecionou a entrada analógica, mude o controle ATT do transmissor para "-8 dB" (☞ página 10). ➔ Se o transmissor estiver conectado à tomada dos fones de ouvido, diminua o volume do equipamento conectado (☞ página 10). ➔ Ajuste o botão SURROUND do transmissor em "CINEMA", "MUSIC" ou "VOICE" para reproduzir uma fonte DTS. |

| Problema | Causa provável e solução sugerida |
|--|---|
| O som é cortado (e também ouve-se ruído). | <ul style="list-style-type: none"> ➔ Mude o transmissor de lugar. Fique dentro da faixa de alcance do transmissor (ícone página 11). ➔ A lâmpada OPR dos fones de ouvido está débil. Ouve-se som com distorção, intermitente ou com ruído de fundo excessivo (ícone página 8). <ul style="list-style-type: none"> ● As pilhas recarregáveis estão esgotadas. Recarregue-as ou troque as pilhas secas alcalinas por novas. ➔ Certifique-se de que não há nenhum outro equipamento, como equipamentos sem fio ou microondas, que usa a banda de 2,4 GHz de radiofrequência, perto do transmissor ou dos fones de ouvido (ícone página 3). ➔ Sintonize a melhor frequência (ícone página 14 [Sintonizar a melhor frequência]). |
| Há ruído de fundo excessivo. | <ul style="list-style-type: none"> ➔ Se o transmissor estiver conectado à tomada dos fones de ouvido, aumente o volume do equipamento conectado (ícone página 10). ➔ A lâmpada OPR dos fones de ouvido está débil. Ouve-se som com distorção, intermitente ou com ruído de fundo excessivo (ícone página 8). <ul style="list-style-type: none"> ● As pilhas recarregáveis estão esgotadas. Recarregue-as ou troque as pilhas secas alcalinas por novas. ➔ Certifique-se de que não há nenhum outro equipamento, como equipamentos sem fio ou microondas, que usa a banda de 2,4 GHz de radiofrequência, perto do transmissor ou dos fones de ouvido (ícone página 3). ➔ Sintonize a melhor frequência (ícone página 14 [Sintonizar a melhor frequência]). |
| Não se ouve o áudio ao selecionar analógico. | <ul style="list-style-type: none"> ➔ Se o áudio de entrada (apenas analógico) continuar a ser muito baixo por mais de 5 minutos (aproximadamente), as ondas de rádio sendo emitidas pelo transmissor podem ser interrompidas (ícone página 13). Nesse caso, proceda como a seguir. <ol style="list-style-type: none"> 1. Coloque o controle ATT do transmissor em "0 dB" (ícone página 10). Se ainda não ouvir o áudio 2. Aumente o nível do volume do equipamento conectado à entrada analógica e diminua o nível do volume dos fones de ouvido. |
| Não há efeito surround. | <ul style="list-style-type: none"> ➔ Ajuste o botão SURROUND do transmissor em "CINEMA", "MUSIC" ou "VOICE" (ícone página 14). ➔ O sinal do áudio de entrada não é multicanal. Não há efeito surround quando reproduz uma fonte monofônica (ícone página 14). |
| A lâmpada DOLBY DIGITAL não acende. | <ul style="list-style-type: none"> ➔ O ajuste da saída de áudio digital no leitor de DVD (inclusive máquinas de games) é "PCM". <ul style="list-style-type: none"> ● Selecione "Dolby Digital/PCM" ou "Dolby Digital" se o leitor de DVD possui um decodificador interno Dolby Digital. ➔ Você está reproduzindo um sinal que não foi gravado no formato DOLBY DIGITAL. ➔ O capítulo sendo reproduzido não está em formato DOLBY DIGITAL. |
| A lâmpada DOLBY PRO LOGIC II não acende. | <ul style="list-style-type: none"> ➔ O botão SURROUND do transmissor está em "OFF" (ícone página 13). ➔ O aparelho não está recebendo sinais de entrada analógica, sinais de entrada digital (PCM), sinais de 2 canais Dolby Digital nem sinais de 2 canais MPEG-2 AAC. |
| A lâmpada DOLBY PRO LOGIC II acende. | <ul style="list-style-type: none"> ➔ O botão SURROUND do transmissor não está em "OFF" (ícone página 13). ➔ O aparelho está recebendo sinais de entrada analógica, sinais de entrada digital (PCM), sinais de 2 canais Dolby Digital e sinais de 2 canais MPEG-2 AAC. |

| Problema | Causa provável e solução sugerida |
|--|--|
| A lâmpada DTS não acende. | <ul style="list-style-type: none"> ➔ O ajuste da saída digital DTS do leitor de DVD está em "OFF" (ícone página 10). <ul style="list-style-type: none"> ● Consulte o manual de instruções do leitor de DVD e ajuste a saída digital DTS do leitor de DVD em "ON". ➔ Você está reproduzindo um sinal que não foi gravado em formato DTS. ➔ O capítulo sendo reproduzido não está em formato DTS. ➔ O leitor de DVD não é compatível com DTS (ícone página 10). <ul style="list-style-type: none"> ● Use um leitor de DVD compatível com DTS. |
| A lâmpada MPEG-2 AAC não acende. | <ul style="list-style-type: none"> ➔ O ajuste da saída do televisor é "PCM". <ul style="list-style-type: none"> ● Consulte o manual de instruções do televisor e ajuste a saída do televisor para sinais MPEG-2 AAC. |
| Não é possível selecionar fontes sonoras duplas (MAIN/SUB) se a entrada for digital. | <ul style="list-style-type: none"> ➔ Conecte a saída analógica de áudio do equipamento ao terminal LINE IN e selecione o som desejado no equipamento conectado (ícone página 12). |
| Não é possível carregar as pilhas. | <ul style="list-style-type: none"> ➔ A lâmpada OPR/CHARGE do transmissor não acende em vermelho (ícone página 7). <ul style="list-style-type: none"> ● Verifique se os fones de ouvido estão colocados corretamente no transmissor. ➔ Estão colocadas pilhas secas. <ul style="list-style-type: none"> ● Coloque as pilhas recarregáveis de níquel-metal-hidreto fornecidas. ➔ Estão colocadas pilhas recarregáveis de níquel-metal-hidreto diferentes das fornecidas. <ul style="list-style-type: none"> ● Coloque as pilhas recarregáveis de níquel-metal-hidreto fornecidas ou pilhas de substituição exclusivas RP-BP6000 (opcional). (ícone página 6) ➔ Os terminais para carregar dos fones de ouvido ou do transmissor estão sujos (ícone página 8). <ul style="list-style-type: none"> ● Limpe-os cuidadosamente com um cotonete, etc. |
| A emissão de ondas de rádio não pára. | <ul style="list-style-type: none"> ➔ Um sinal de ruído está sendo recebido do equipamento conectado. <ul style="list-style-type: none"> ● Desligue a energia do equipamento conectado. |

Especificações

■ Transmissor (RP-WF6000T)

Função de decodificador

Dolby Digital, Dolby Pro Logic II, DTS, MPEG-2 AAC

Função surround

OFF, MUSIC, CINEMA, VOICE

Sistema de modulação

DSSS (Direct-Sequence Spread Spectrum)

Frequência de transmissão

2,412 GHz a 2,462 GHz

Distância de transmissão

Aproximadamente 30 metros (98,4 pés)

Resposta de frequência

10 Hz a 24.000 Hz

Fator de distorção

Menos de 0,1% (1 kHz)

Entrada de áudio

2 entradas ópticas digitais (tipo TOS Link)

1 entrada analógica (tipo RCA, esquerda/direita)

Saída de áudio

1 saída óptica digital (tipo TOS Link)(Pass-through)

Fornecimento de energia

9 V CC (usando o adaptador CA fornecido)

Dimensões (L x A x P)

178 mm x 105,5 mm x 161,5 mm

(7 pol. x 4-1/8 pol. x 6-3/8 pol.)

Peso

Aprox. 355 g (12,5 onças)

■ Fones de ouvido (RP-WF6000H)

Resposta de frequência 10 Hz a 24.000 Hz

Fornecimento de energia

Pilhas recarregáveis de níquel-metal-hidreto fornecidas (1 par) ou pilhas secas alcalinas "LR6, AA" (2) à venda no mercado (não fornecidas)

Peso Aprox. 380 g (13,4 onças) (com as pilhas recarregáveis de níquel-metal-hidreto fornecidas)

■ Transmissor e fones de ouvido na posição de carregar

Dimensões (L x A x P)

202 mm x 244 mm x 161,5 mm (7-15/16 pol. x

9-5/8 pol. x 6-3/8 pol.) (posição vertical)

202 mm x 115 mm x 270 mm (7-15/16 pol. x

4-1/2 pol. x 10-5/8 pol.) (posição horizontal)

■ Adaptador CA (RFX 5726)

Entrada 100 - 240 V CA, 50/60 Hz

Saída 9 V CC, 2 A

Consumo de potência 30 W

Consumo de potência do adaptador CA no modo de espera (quando conectado ao transmissor) **aprox. 1,8 W**

Nota

As especificações estão sujeitas a alterações sem aviso prévio.

Panasonic Consumer Electronics Company,
Division of Panasonic Corporation of North
America
One Panasonic Way Secaucus, New Jersey 07094

FOR U.S.A.

Panasonic Puerto Rico, Inc.
Ave. 65 de Infantería, Km. 9.5, San Gabriel
Industrial Park, Carolina, Puerto Rico 00985

Panasonic / Technics Accessory Limited Warranty

Limited Warranty Coverage

If your product does not work properly because of a defect in materials or workmanship, Panasonic Consumer Electronics Company or Panasonic Puerto Rico, Inc. (collectively referred to as "the warrantor") will, for the length of the period as follows, which starts with the date of original purchase ("warranty period"), replace it with a new or a refurbished product.

| Product | Parts | Service |
|---|------------------|---------------------|
| Headphones, Earphones, Headset, Microphone, Speaker System, Cable, Slip-Mat | Ninety (90) days | Carry-in or Mail-in |

During the "Parts" warranty period, there will be no charge for parts. You must carry-in or mail-in your product, during the warranty period. If non-rechargeable batteries are included, they are not warranted. This warranty only applies to products purchased and serviced in U.S.A. or Puerto Rico. This warranty is extended only to the original purchaser of a new product which was not sold "as is". A purchase receipt or other proof of the original purchase date is required for warranty service.

For assistance in U.S.A., please visit our Web Site at :
<http://www.pstc.panasonic.com>
or, send your request by E-mail to :
npcparts@us.panasonic.com

You may also contact us directly at : 1-800-332-5368 (Phone) or 1-800-237-9080 (Fax) (Monday - Friday 9 am - 8 pm, EST.)

Panasonic Service and Technology Company : 20421 84th Avenue South, Kent, WA 98032 (For hearing or speech impaired TTY users, TTY : 1-866-605-1277)

For assistance in **Puerto Rico**, please contact at : (787) 750-4300 (Phone) or (787) 768-2910 (Fax)

Panasonic Puerto Rico, Inc.

Limited Warranty limits And Exclusions

The warranty ONLY COVERS failures due to defects in materials or workmanship, and DOES NOT COVER normal wear and tear or cosmetic damage. The warranty ALSO DOES NOT COVER damages which occurred in shipment, or

failures which are caused by products not supplied by the warrantor, or failures which result from accidents, misuse, abuse, neglect, mishandling, misapplication, alteration, faulty installation, set-up adjustments, misadjustment of consumer controls, improper maintenance, power line surge, lightning damage, modification, rental use of the product, serviced by anyone other than a Factory ServiCenter or other Authorized Servicer, or damage that is attributable to acts of Gods.

THERE ARE NO EXPRESS WARRANTIES EXCEPT AS LISTED UNDER "LIMITED WARRANTY COVERAGE". THE WARRANTOR IS NOT LIABLE FOR INCIDENTAL OR CONSEQUENTIAL DAMAGES RESULTING FROM THE USE OF THIS PRODUCT, OR ARISING OUT OF ANY BREACH OF THIS WARRANTY, INCLUDING WITHOUT LIMITATION, LOSS OF GOODWILL, PROFITS OR REVENUE, LOSS OF USE OF THIS PRODUCT OR ANY ASSOCIATED EQUIPMENT, COST OF SUBSTITUTE EQUIPMENT, DOWNTIME COSTS, OR CLAIMS OF ANY PARTY DEALING WITH BUYER FOR SUCH DAMAGES. (As examples, this excludes damages for lost time, cost of having someone remove or re-install an installed unit if applicable, travel to and from the servicer. The items listed are not exclusive, but are for illustration only.) **ALL EXPRESS AND IMPLIED WARRANTIES, INCLUDING THE WARRANTIES OF MERCHANTABILITY, ARE LIMITED TO THE PERIOD OF THE LIMITED WARRANTY.**

Some states do not allow the exclusions or limitations of incidental or consequential damages, or limitations on how long an implied warranty lasts, so the exclusions may not apply to you.

This warranty gives you specific legal rights and you may also have others rights which vary from state to state. If a problem with this product develops during or after the warranty period, you may contact your dealer or ServiCenter. If the problem is not handled to your satisfaction, then write to the warrantor's Consumer Affairs Department at the address listed for the warrantor.

PARTS AND SERVICE WHICH ARE NOT COVERED BY THIS LIMITED WARRANTY ARE YOUR RESPONSIBILITY.

AVC200701

Panasonic Canada Inc.

FOR CANADA

Panasonic / Technics Accessories Limited Warranty

Panasonic Canada Inc. warrants this product to be free from defects in material and workmanship and agrees to remedy any such defect for a period as stated below from the date of original purchase.

Accessories including rechargeable batteries

Ninety (90) days

LIMITATIONS AND EXCLUSIONS

This warranty does not apply to products purchased outside Canada or to any product which has been improperly installed, subjected to usage for which the product was not designed, misused or abused, damaged during shipping, or which has been altered or repaired in any way that affects the reliability or detracts from the performance, nor does it cover any product which is used commercially. Dry cell batteries are also excluded from coverage under this warranty.

This warranty is extended to the original end user purchaser only. A purchase receipt or other proof of date of original purchase is required before warranty service is performed.

THIS EXPRESS, LIMITED WARRANTY IS IN LIEU OF ALL OTHER WARRANTIES, EXPRESS OR IMPLIED, INCLUDING ANY IMPLIED WARRANTIES OF MERCHANTABILITY AND FITNESS FOR A PARTICULAR PURPOSE. IN NO EVENT WILL PANASONIC CANADA INC. BE LIABLE FOR ANY SPECIAL, INDIRECT OR CONSEQUENTIAL DAMAGES.

In certain instances, some jurisdictions do not allow the exclusion or limitation of incidental or consequential damages, or the exclusion of implied warranties, so the above limitations and exclusions may not be applicable.

WARRANTY SERVICE

FOR PRODUCT OPERATION ASSISTANCE, please contact:

Our Customer Care Centre: Telephone #: (905) 624-5505
1-800 #: 1-800-561-5505
Fax #: (905) 238-2360
Email link: "Customer support" on www.panasonic.ca

FOR PRODUCT REPAIRS, please locate your nearest Authorized Servicentre at www.panasonic.ca :
Link : "ServicentresTM locator" under "Customer support"

IF YOU SHIP THE PRODUCT TO A SERVICENTRE

Carefully pack and send prepaid, adequately insured and preferably in the original carton. Include details of the defect claimed, and proof of date of original purchase.

AVC200606

Panasonic Canada Inc.

POUR LE CANADA

Certificat de garantie limitée de Panasonic / Technics pour accessoires

Panasonic Canada Inc. garantit cet appareil contre tout vice de fabrication et accepte, le cas échéant, de remédier à toute défectuosité pendant la période indiquée ci-dessous et commençant à partir de la date d'achat original.

Accessoires incluant les piles rechargeables

Quatre-vingt-dix (90) jours

LIMITATIONS ET EXCLUSIONS

Cette garantie n'est valide que pour les appareils achetés au Canada et ne couvre pas les dommages résultant d'une installation incorrecte, d'un usage abusif ou impropre ainsi que ceux découlant d'un accident en transit ou de manipulation. De plus, si l'appareil a été altéré ou transformé de façon à modifier l'usage pour lequel il a été conçu ou utilisé à des fins commerciales, cette garantie devient nulle et sans effet. Les piles sèches ne sont pas couvertes sous cette garantie.

Cette garantie est octroyée à l'utilisateur original seulement. La facture ou autre preuve de la date d'achat original sera exigée pour toute réparation sous le couvert de cette garantie.

CETTE GARANTIE LIMITÉE ET EXPRESSE REMPLACE TOUTE AUTRE GARANTIE, EXPRESSE OU IMPLICITE, INCLUANT LES GARANTIES IMPLICITES DU CARACTÈRE ADÉQUAT POUR LA COMMERCIALISATION ET UN USAGE PARTICULIER.

PANASONIC N'AURA D'OBLIGATION EN AUCUNE CIRCONSTANCE POUR TOUT DOMMAGE DIRECT, INDIRECT OU CONSÉCUTIF.

Certaines juridictions ne reconnaissent pas les exclusions ou limitations de dommages indirects ou consécutifs, ou les exclusions de garanties implicites. Dans de tels cas, les limitations stipulées ci-dessus peuvent ne pas être applicables.

RÉPARATION SOUS GARANTIE

Pour de l'aide sur le fonctionnement de l'appareil, veuillez contacter

notre service à la clientèle au : N de téléphone : (905) 624-5505
Ligne sans frais : 1-800-561-5505
N de télécopieur : (905) 238-2360
Lien courriel : « Support à la clientèle » à www.panasonic.ca

Pour la réparation des appareils, veuillez consulter notre site www.panasonic.ca pour connaître le centre de service agréé le plus près de votre domicile :

Lien : « Centres de service » sous « support à la clientèle »

Expédition de l'appareil à un centre de service

Emballer soigneusement l'appareil, de préférence dans le carton d'origine, et l'expédier port payé et assuré au centre de service. Inclure la description détaillée de la panne et la preuve de la date d'achat original.

AVC200606

THE FOLLOWING APPLIES ONLY IN THE U.S.A.

FCC Note:

This equipment has been tested and found to comply with the limits for a Class B digital device, pursuant to Part 15 of the FCC Rules. These limits are designed to provide reasonable protection against harmful interference in a residential installation. This equipment generates, uses and can radiate radio frequency energy and, if not installed and used in accordance with the instructions, may cause harmful interference to radio communications. However, there is no guarantee that interference will not occur in a particular installation. If this equipment does cause harmful interference to radio or television reception, which can be determined by turning the equipment off and on, the user is encouraged to try to correct the interference by one or more of the following measures:

- Reorient or relocate the receiving antenna.
- Increase the separation between the equipment and receiver.
- Connect equipment into an outlet on a circuit different from that to which the receiver is connected.
- Consult the dealer or an experienced radio/TV technician for help.

FCC Caution: To maintain compliance with FCC regulations, shielded interface cables must be used with this equipment. Operation with non-approved equipment or unshielded cables may result in interference to radio and TV reception. Any changes or modifications not approved by the party responsible for compliance could void the user's authority to operate this equipment.

To comply with FCC RF exposure requirement for uncontrolled environment:

- The base unit must be installed and operated in accordance with provided instructions and a minimum of 20 cm (8 inches) spacing must be provided between base unit and all person's body (excluding extremities of hands, wrist and feet) during wireless modes of operation
- The base unit's transmitter must not be co-located or operated in conjunction with any other antenna or transmitter

Declaration of Conformity

| | |
|-------------------|--|
| Trade Name | Panasonic |
| Model Number | RP-WF6000 |
| Responsible Party | Panasonic Corporation of North America One Panasonic Way, Secaucus, NJ 07094 |
| Support Contact | Panasonic Consumer Electronics Company / Panasonic Service and Technology Company 1-800-211-7262 http://www.pstc.panasonic.com |

This device complies with Part 15 of the FCC Rules. Operation is subject to the following two conditions: (1) This device may not cause harmful interference, and (2) this device must accept any interference received, including interference that may cause undesired operation.

THE FOLLOWING APPLIES ONLY IN CANADA

This device complies with RSS-210 of the IC Rules.

Operation is subject to the following two conditions:

- (1) This device may not cause harmful interference,
- (2) This device must accept any interference received, including interference that may cause undesired operation of the device.

CE QUI SUIT NE S'APPLIQUE QU'AU CANADA

Cet appareil est conforme à la RSS-210 du règlement de la IC.

L'utilisation de ce dispositif est autorisée seulement aux deux conditions suivantes:

- (1) il ne doit pas produire de brouillage, et
- (2) l'utilisateur du dispositif doit être prêt à accepter tout brouillage radioélectrique reçu, même si ce brouillage est susceptible de compromettre le fonctionnement du dispositif.

Licensed AAC Patents (U.S. patent numbers);

| | | | | | | |
|------------|-----------|------------|------------|------------|------------|------------|
| 08/937,950 | 5 752 225 | 5,235,671 | 98/03036 | 08/211,547 | 5,197,087 | 5,548,574 |
| 5848391 | 5,394,473 | 07/640,550 | 5,227,788 | 5,703,999 | 5,490,170 | 08/506,729 |
| 5,291,557 | 5,583,962 | 5,579,430 | 5,285,498 | 08/557,046 | 5,264,846 | 08/576,495 |
| 5,451,954 | 5,274,740 | 08/678,666 | 5,481,614 | 08/894,844 | 5,268,685 | 5,717,821 |
| 5 400 433 | 5,633,981 | 98/03037 | 5,592,584 | 5,299,238 | 5,375,189 | 08/392,756 |
| 5,222,189 | 5 297 236 | 97/02875 | 5,781,888 | 5,299,239 | 5,581,654 | |
| 5,357,594 | 4,914,701 | 97/02874 | 08/039,478 | 5,299,240 | 05-183,988 | |

Panasonic Consumer Electronics Company, Division of Panasonic Corporation of North America
One Panasonic Way Secaucus, New Jersey 07094
<http://www.panasonic.com>

Panasonic Puerto Rico, Inc.
Ave. 65 de Infantería, Km. 9.5
San Gabriel Industrial Park,
Carolina, Puerto Rico 00985

Panasonic Canada Inc.
5770 Ambler Drive
Mississauga, Ontario
L4W 2T3
www.panasonic.ca

© 2006 Matsushita Electric Industrial Co., Ltd.
Printed in China/Imprimé en Chine/Impreso en China/Impresso na China



RQT8948-1Y
M1206TK1017

Free Manuals Download Website

<http://myh66.com>

<http://usermanuals.us>

<http://www.somanuals.com>

<http://www.4manuals.cc>

<http://www.manual-lib.com>

<http://www.404manual.com>

<http://www.luxmanual.com>

<http://aubethermostatmanual.com>

Golf course search by state

<http://golfingnear.com>

Email search by domain

<http://emailbydomain.com>

Auto manuals search

<http://auto.somanuals.com>

TV manuals search

<http://tv.somanuals.com>