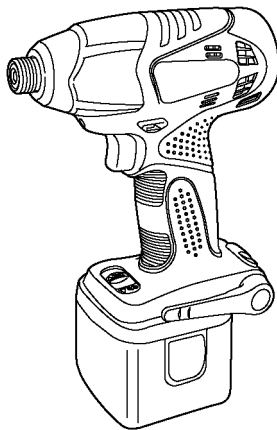


Service Manual

Cordless Impact Driver

Model No. **EY7206**

North America



Please file and use this manual together with the service manual for Model No. EY7202-U1, Order No. PTD0503U33C1.

WARNING

This service information is designed for experienced repair technicians only and is not designed for use by the general public. It does not contain warnings or cautions to advise non-technical individuals of potential dangers in attempting to service a product. Products powered by electricity should be serviced or repaired only by experienced professional technicians. Any attempt to service or repair the product or products dealt with in this service information by anyone else could result in serious injury or death.

IMPORTANT SAFETY NOTICE


There are special components used in this equipment which are important for safety. These parts are marked by  in the Schematic Diagrams, Circuit Board Diagrams, Exploded Views and Replacement Parts List. It is essential that these critical parts should be replaced with manufacturer's specified parts to prevent shock, fire or other hazards. Do not modify the original design without permission of manufacturer.

TABLE OF CONTENTS

	PAGE	PAGE
1 Warning	2	
2 Specifications	2	
3 Wiring Connection Diagram	2	
4 Schematic Diagram	3	
5 Exploded View and Replacement Parts List	4	

Panasonic®

© 2007 Matsushita Electric Industrial Co., Ltd. All rights reserved. Unauthorized copying and distribution is a violation of law.

1 Warning

Caution:

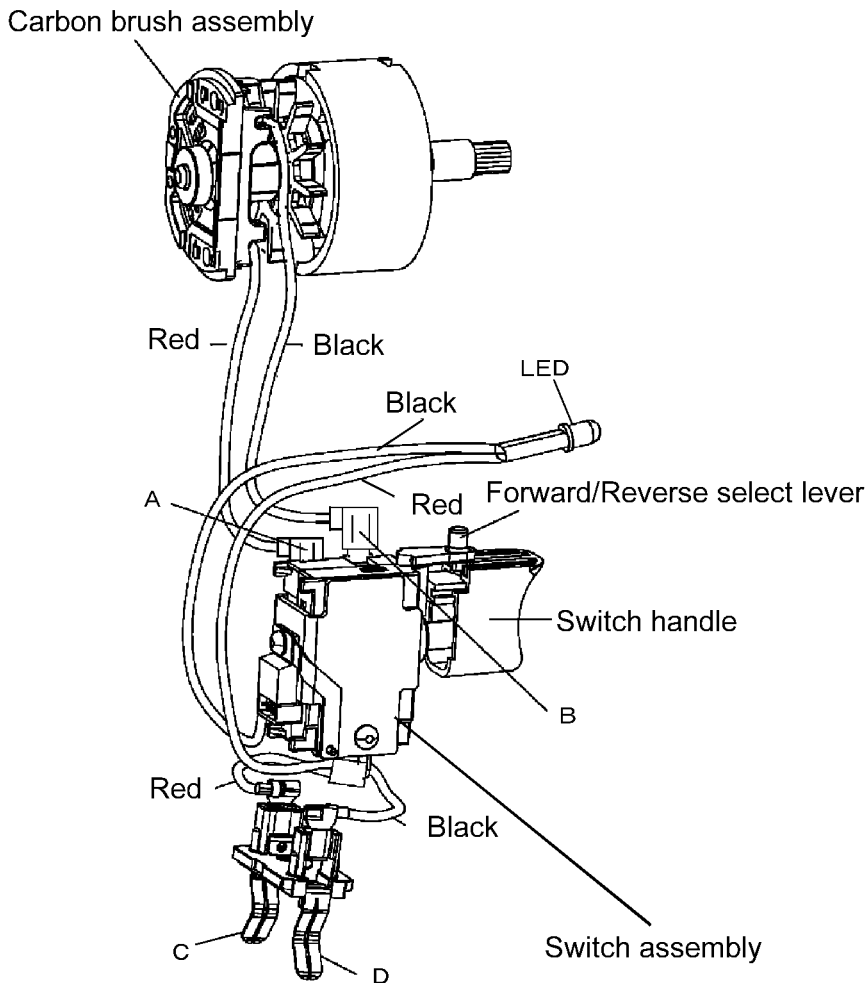
- Pb free solder has a higher melting point than standard solder; Typically the melting point is 50 - 70°F (30 - 40°C) higher. Please use a soldering iron with temperature control and adjust it to 750 ± 20°F (400 ± 10°C). In case of using high temperature soldering iron, please be careful not to heat too long.
- Pb free solder will tend to splash when heated too high (about 1100°F / 600°C).

2 Specifications

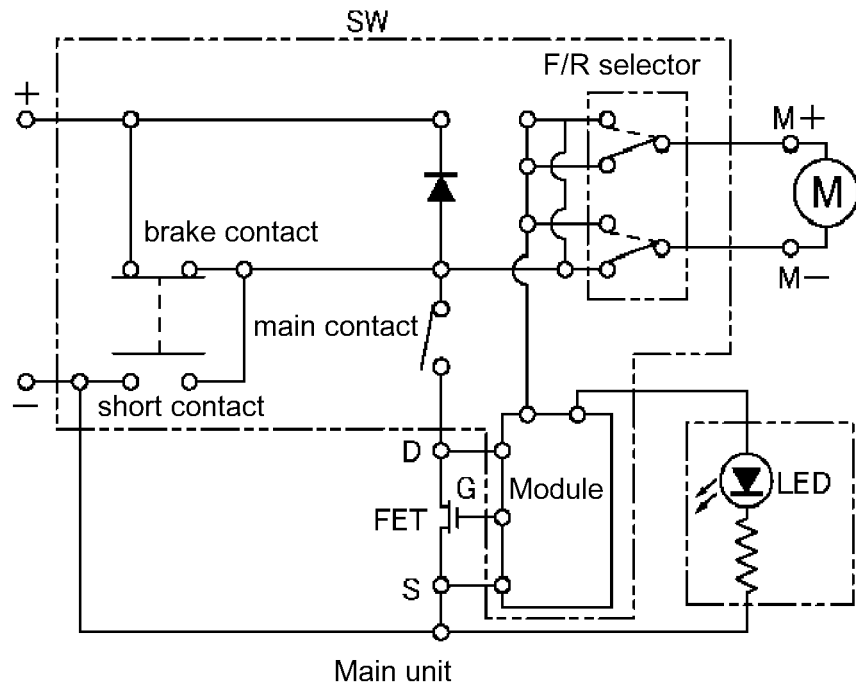
MAIN UNIT

Motor	DC Motor 12V
No load speed	soft impact mode : 0-1800/min ⁻¹ (rpm)
	hard impact mode : 0-2600/min ⁻¹ (rpm)
Maximum torque	soft impact mode : 70.0Nm (710kgf-cm, 620in-lbs.)
	hard impact mode : 125.0Nm (1280kgf-cm, 1100in-lbs.)
Impact per minute	soft impact mode : 0-2300 ipm in Impact Mode
	hard impact mode : 0-2600 ipm in Impact Mode
Overall length	158mm (6-7/32")
Weight (with battery pack)	1.8kg (3.9lbs)

3 Wiring Connection Diagram

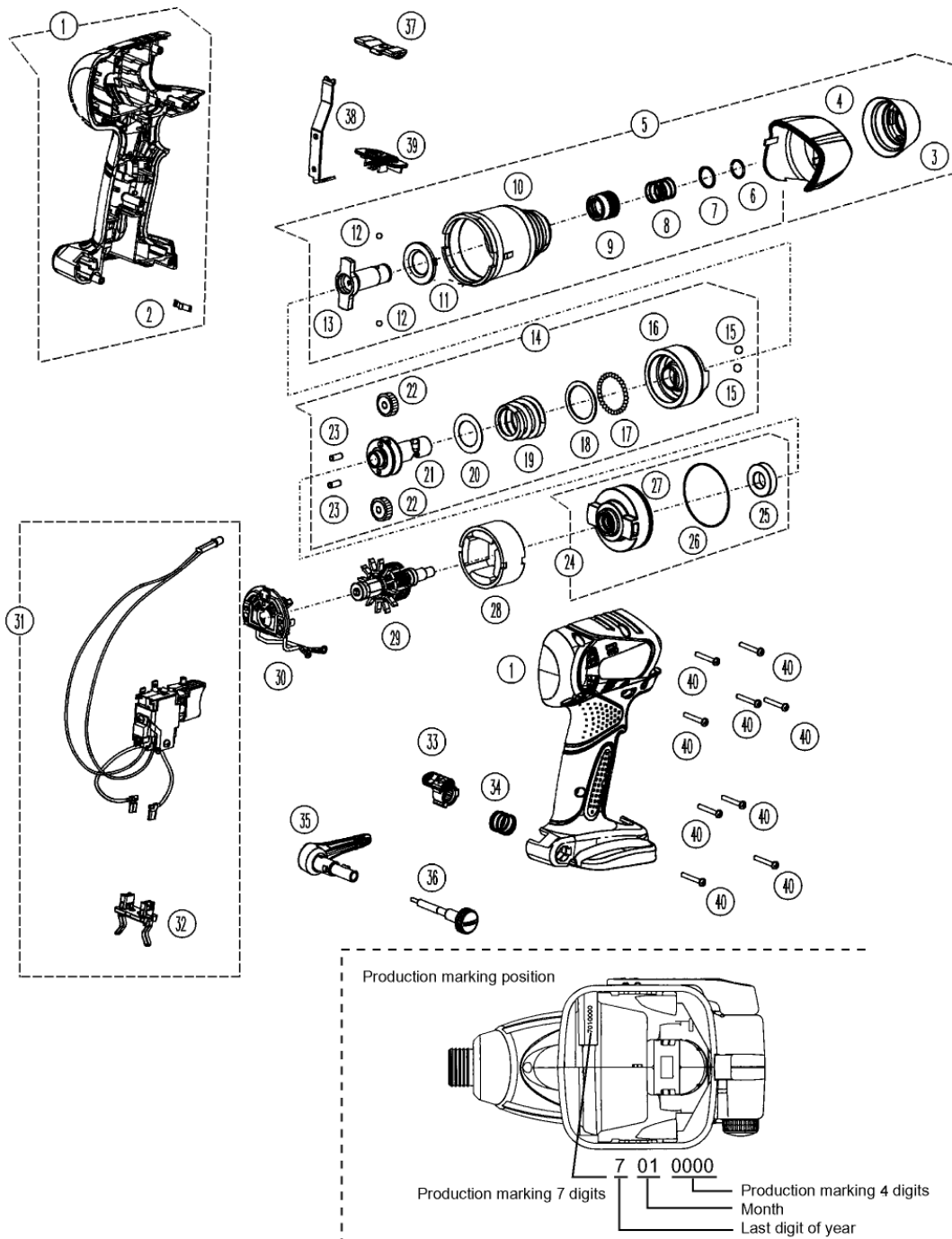


4 Schematic Diagram



5 Exploded View and Replacement Parts List

Model No. : EY7206 Exploded View



** Battery Pack is available as an optional accessory. See the nearest sales dealer for details.

*** For replacement parts of charger, see the charger service manual.

Charger complete set is available as an optional accessory. See the nearest sales dealer for details.

Model No. : EY7206 Parts List

Safety	Ref. No.	Part No.	Part Name & Description	Q'ty	Remarks
	1	WEY7206K3078	HOUSING AB SET	1	
	2	WEY6481L0177	CLICK SPRING	1	
	3	WEY7206K3107	NOSE PROTECTOR	1	
	4	WEY7206S3117	PROTECTOR	1	
	5	WEY7206S4058	FIXATION COVER ASSEMBLY	1	
	6	WEY6507K1167	C-TYPE RING	1	
	7	WEY6507L0857	THRUST PLATE	1	
	8	WEY6507L0197	BIT HOLDER SPRING	1	
	9	WEY7540K3717	BIT HOLDER	1	
	10	WEYT611S3137	FIXATION COVER	1	
	11	WEY6505L0867	SLIDER	1	
	12	WEY6507L6977	STEEL BALL	2	(ϕ 3.5), (2PCS/PK)
	13	WEY7206L1128	ANVIL	1	
	14	WEY7205L1087	DRIVING SHAFT ASSEMBLY	1	
	15	WEY7201L6967	STEEL BALL	2	(2PCS/PK)
	16	WEY7205L1377	HAMMER	1	
	17	WEY7205L6957	STEEL BALL	29	(29PCS/PK)
	18	WEY6507L0907	THRUST PLATE	1	
	19	WEY7201L0157	HAMMER SPRING	1	
	20	WEY7300L0867	THRUST PLATE	1	
	21	WEY7205L1137	DRIVING SHAFT	1	
	22	WEY6506L1357	PLANET GEAR	2	(2PCS/PK)
	23	WEY6506L1347	PIN	2	(2PCS/PK)
	24	WEY7205L0027	MOTOR MOUNTING PLATE ASSEMBLY	1	
	25	WEY7201L4957	BEARING	1	
	26	WEYT611L0967	O-RING	1	(43.6*1.3)
	27	WEY7205L0037	MOTOR MOUNTING PLATE	1	
	28	WEYT611L1187	STATOR	1	
	29	WEY7205L1467	MOTOR ROTOR ASSEMBLY	1	
	30	WEY7205L2307	BRUSH ASSEMBLY	1	
	31	WEY7205K2007	SWITCH	1	
	32	WEY7205L2157	BATTERY TERMINAL	1	
	33	WEY7201Y3267	BELT HOOK LOCK LEVER	1	
	34	WEY7201L0167	SPRING	1	
	35	WEY7205Y3187	BELT HOOK	1	
	36	WEY7205K0257	BELT HOOK BOLT	1	
	37	WEY7205Y3147	F/R SELECTOR HANDLE	1	
	38	WEYT611L0197	SELECT SWITCH LEVER	1	
	39	WEYT611Y3147	CHANGE HANDLE	1	
	40	WEY6230K9216	TORX TAPPING SCREW	9	(K3-20)
	-	WEY9598K7019	TOOL CASE	1	[SH]
	-	WEY7206K8108	OPERATING INSTRUCTIONS	1	[SH]

Free Manuals Download Website

<http://myh66.com>

<http://usermanuals.us>

<http://www.somanuals.com>

<http://www.4manuals.cc>

<http://www.manual-lib.com>

<http://www.404manual.com>

<http://www.luxmanual.com>

<http://aubethermostatmanual.com>

Golf course search by state

<http://golfingnear.com>

Email search by domain

<http://emailbydomain.com>

Auto manuals search

<http://auto.somanuals.com>

TV manuals search

<http://tv.somanuals.com>