

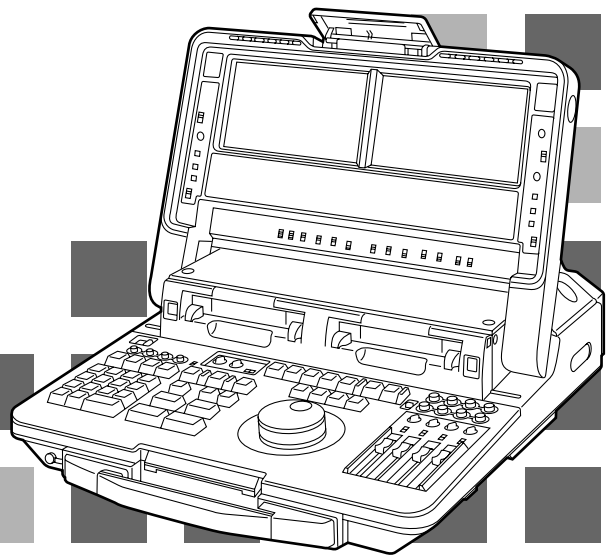
Panasonic

DVCPRO 50

Lap-Top Editor

AJ-LT95P

Operating Instructions



Use the dedicated AJ-B95 AC adapter.

Printed in Japan
VQT8648

F0500W 

P

IMPORTANT

“Unauthorized recording of copyrighted television programs, video tapes and other materials may infringe the right of copyright owners and be contrary to copyright laws.”



CAUTION

**RISK OF ELECTRIC SHOCK
DO NOT OPEN**



CAUTION: TO REDUCE THE RISK OF ELECTRIC SHOCK,
DO NOT REMOVE COVER (OR BACK).
NO USER SERVICEABLE PARTS INSIDE.
REFER TO SERVICING TO QUALIFIED SERVICE PERSONNEL.



The lightning flash with arrowhead symbol, within an equilateral triangle, is intended to alert the user to the presence of uninsulated “dangerous voltage” within the product’s enclosure that may be of sufficient magnitude to constitute a risk of electric shock to persons.



The exclamation point within an equilateral triangle is intended to alert the user to the presence of important operating and maintenance (service) instructions in the literature accompanying the appliance.

CAUTION:

Do not install or place this unit in a bookcase, built-in cabinet or in another confined space in order to keep well ventilated condition. Ensure that curtains and any other materials do not obstruct the ventilation condition to prevent risk of electric shock or fire hazard due to overheating.

WARNING:

TO REDUCE THE RISK OF FIRE OR SHOCK HAZARD, DO NOT EXPOSE THIS EQUIPMENT TO RAIN OR MOISTURE.

CAUTION:

TO REDUCE THE RISK OF FIRE OR SHOCK HAZARD AND ANNOYING INTERFERENCE, USE THE RECOMMENDED ACCESSORIES ONLY.

CAUTION:

TO REDUCE THE RISK OF FIRE OR SHOCK HAZARD, REFER CHANGE OF SWITCH SETTING INSIDE THE UNIT TO QUALIFIED SERVICE PERSONNEL.

FCC Note:

This device complies with Part 15 of the FCC Rules. To assure continued compliance follow the attached installation instructions and do not make any unauthorized modifications.

This equipment has been tested and found to comply with the limits for a class A digital device, pursuant to Part 15 of the FCC Rules. These limits are designed to provide reasonable protection against harmful interference when the equipment is operated in a commercial environment. This equipment generates, uses, and can radiate radio frequency energy and, if not installed and used in accordance with the instruction manual, may cause harmful interference to radio communications. Operation of this equipment in a residential area is likely to cause harmful interference in which case the user will be required to correct the interference at his own expense.

 indicates safety information.

- Do not insert fingers or any objects into the video cassette holder.
- Avoid operating or leaving the unit near strong magnetic fields. Be especially careful of large audio speakers.
- Avoid operating or storing the unit in an excessively hot, cold, or damp environment as this may result in damage both to the recorder and to the tape.
- Do not spray any cleaner or wax directly on the unit.
- If the unit is not going to be used for a length of time, protect it from dirt and dust.
- Do not leave a cassette in the recorder when not in use.
- Do not block the ventilation slots of the unit.
- Use this unit horizontally and do not place anything on the top panel.
- Cassette tape can be used only for one-side, one direction recording. Two-way or two-track recordings cannot be made.
- Cassette tape can be used for either Color or Black & White recording.
- Do not attempt to disassemble the recorder. There are no user serviceable parts inside.
- If any liquid spills inside the recorder, have the recorder examined for possible damage.
- Refer any needed servicing to authorized service personnel.

Contents

Features	5	Cut editing operations	56
Opening and closing the top panel	6	Assemble editing	56
Parts and their functions	7	Insert editing	56
Panel control area	7	Storing the edit points	57
Counter display area	9	Preview	58
Panel switch area	12	Executing editing	59
Audio control area	14	Review	59
Editing operation area	17	Split editing operations	60
Encoder control area	23	Editing without setting the edit IN point	
Connector area	24	(park & edit)	61
Setup menu operations	29	Editing using the edit IN point setting only	
User memory and factory settings	30	(open-ended editing)	61
Storing settings in the user memory	30	Auto tag editing	61
Recalling settings stored in the user memory	30	Still-picture editing/slow-motion	
Recalling the factory settings (menu reset)	30	editing	62
Setup menus	31	TC jump function	62
SYSTEM menu	31	Voice-over operations	63
BASIC menu	32	Audio cross channel editing	66
OPERATION menu	33	Checking the edit points	
INTERFACE menu	35	(IN, OUT, DUR, GO TO)	69
EDIT menu	36	Modifying and clearing edit data	70
TAPE PROTECT menu	40	Storing and recalling edit data	71
TIME CODE menu	41	Multi-event editing	72
VIDEO menu	44	Last X/Last ED/Total	73
AUDIO menu	47	Setting the time code (T SET)	74
LCD menu	50	CORCT/TRACK/DISP	77
Operating methods	51	Clearing edit data in the	
Recording external input signals using VTR1	51	EDL memory	78
Recording external input signals using VTR2	51	Encoder adjustments	79
Playback using VTR1, VTR2	52		
Preparing tapes for editing	53		
Preparing tapes for assemble editing	53		
Recording editing titles			
(characters and symbols)	54		
Preparing tapes for insert editing	55		
Method using first edit	55		
Method using normal recording	55		

Contents

Sending (DUMP) and loading (LOAD) edit data to an external component81
Superimposed screen85
Error messages86
Video head cleaning88
Condensation88
Maintenance88
Specifications89

Features

Compact size and light weight

This editor is an integrated editing system which delivers two DVCPRO 50 digital VTRs, an editing controller, two LCD monitors and speakers in a single unit. It features a compact, lightweight and portable design which enables it to be easily carried around and readily utilized for editing work on an office desk, etc.

Cut editing

This unit is capable of both assemble editing and insert editing. With insert editing, the signals of each of 4 audio channels can be edited separately. In the DVCPRO format (25 Mbps), only two audio channels are supported.

Full range of editing functions

The editing control area is equipped with a numeric keypad to enable more sophisticated editing operations. The keys also make it easier to process the edit data.

Included among the unit's many editing functions are split editing, still-picture/slow-motion editing and multi-event editing.

High picture quality

A high picture quality is achieved through 4:2:2 component signal recording (DVCPRO 50) which has twice the recording rate of the existing DVCPRO (25 Mbps) format.

Both DVCPRO formats supported

The unit is capable of recording and playing tapes in the existing DVCPRO (25 Mbps) format as well.

525i/625i systems switchable

Either the 525i (interlace) system or 625i system can be used by making this selection on a setup menu.

- The analog component and analog composite input facilities are used exclusively by the 525i system. They do not have a system conversion function.
- 625i system editing is restricted to editing involving the VTR1 → VTR2 internal connections.

L and M size cassettes supported, recording up to 92 minutes

The L cassette delivers a maximum of 92 minutes of recording (using the AJ-5P92LP). Up to 184 minutes of recording are possible with the DVCPRO (25 Mbps) format (using the AJ-P184LP).

SDI interface

This unit is equipped with a 4:2:2 serial digital interface as a standard feature.

Functional input/output interfaces

- Analog input and output facilities:
Both VTRs come with video (composite/component) and audio input and output connectors.
Analog video signals cannot be input in the 625i mode.
- 9P remote connector: (525i mode only)
Both VTRs come with 9P remote connectors to enable an external controller to operate the unit by remote control.
The 9P remote connector of VTR1 can be switched to remote OUT, and an external VTR can be controlled using the control system of VTR1.
- Time code input and output facilities:
The unit comes with one time code input connector so that the time code generators of both VTR1 and VTR2 can be synchronized to an external time code. VTR1 and VTR2 each have a time code output connector.

7-inch wide-screen LCD monitors

On-screen settings

Highly individualized settings can be performed on-screen.

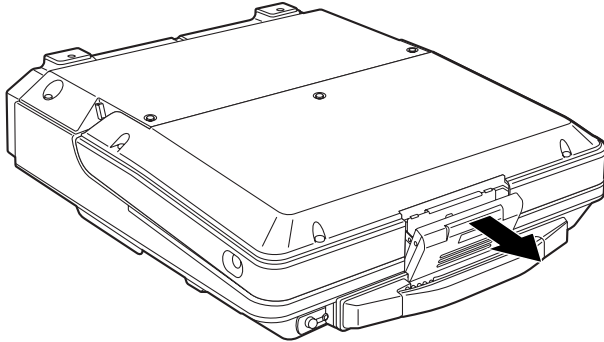
Centralized displays using fluorescent display tubes

Fluorescent display tubes, which are easy to read even in poorly lighted places, are used to indicate the counter displays, audio meter levels, VTR modes and other statuses. This means that all the displays are grouped together in a central location.

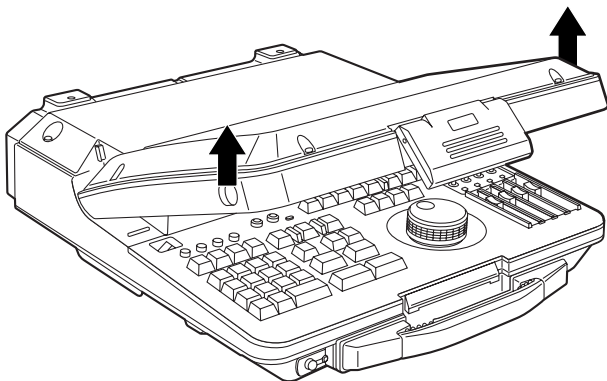
Opening and closing the top panel

Opening the top panel

1 Pull the top part of the lever forward to release the lock.

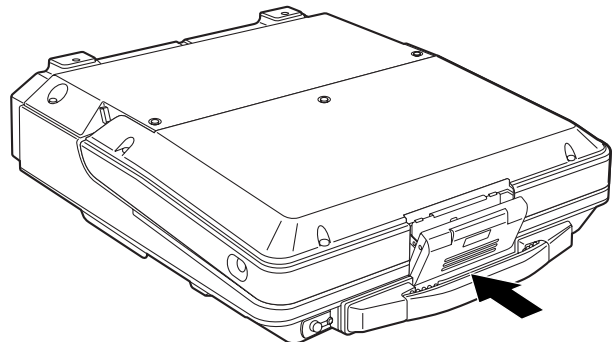


2 Clasp both sides of the top panel, and lift the panel to open it.
<Note>
Do not try to lift the panel by pushing the lever up.

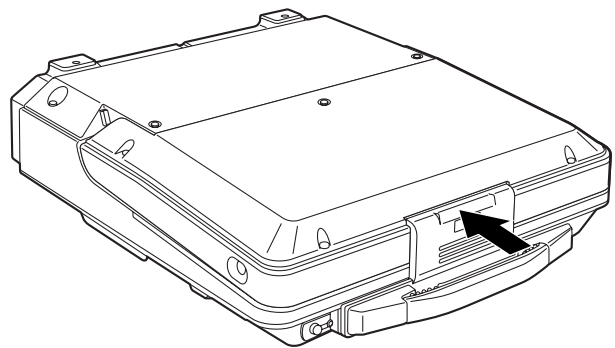


Closing the top panel

1 Push the top panel down to close it and engage the bottom part of the lever.



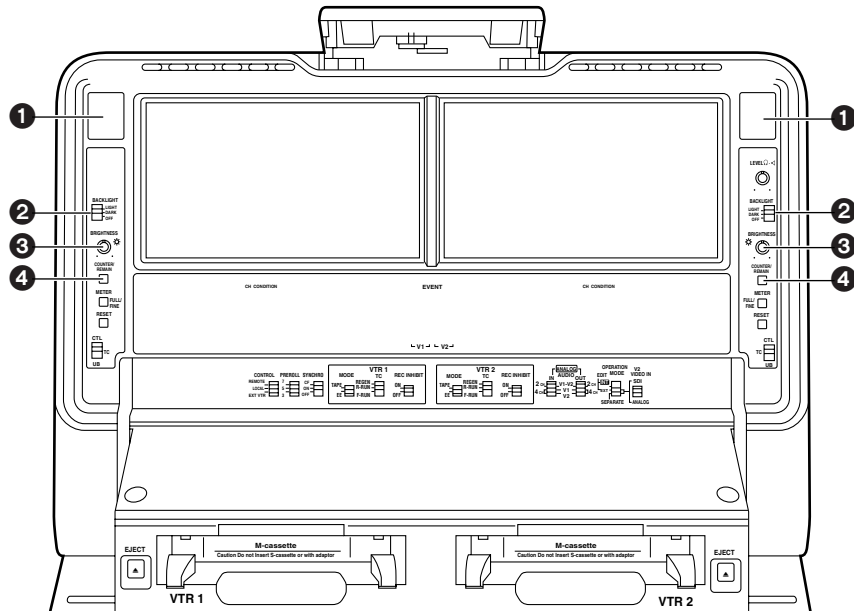
2 With the bottom part of the lever now engaged, push up the top part of the lever to lock it.



<Note>

Take care not to pinch your fingers when opening or closing the top panel.

Parts and their functions



Panel control area

1 Audio monitor speakers

The sound of the VTR1 (or VTR2) signals to be monitored is delivered through the VTR1 (or VTR2) speaker.

Depending on the positions selected for the AUDIO MONITOR SELECT switches, VTR1 or VTR2 sound is selected and output.

2 LCD switch

This functions as the LCD monitor power switch, and it also selects the brightness of the display's backlight.

LIGHT: For increasing the display's backlight brightness.

DARK: For reducing the display's backlight brightness.

OFF: The LCD monitor is turned off.

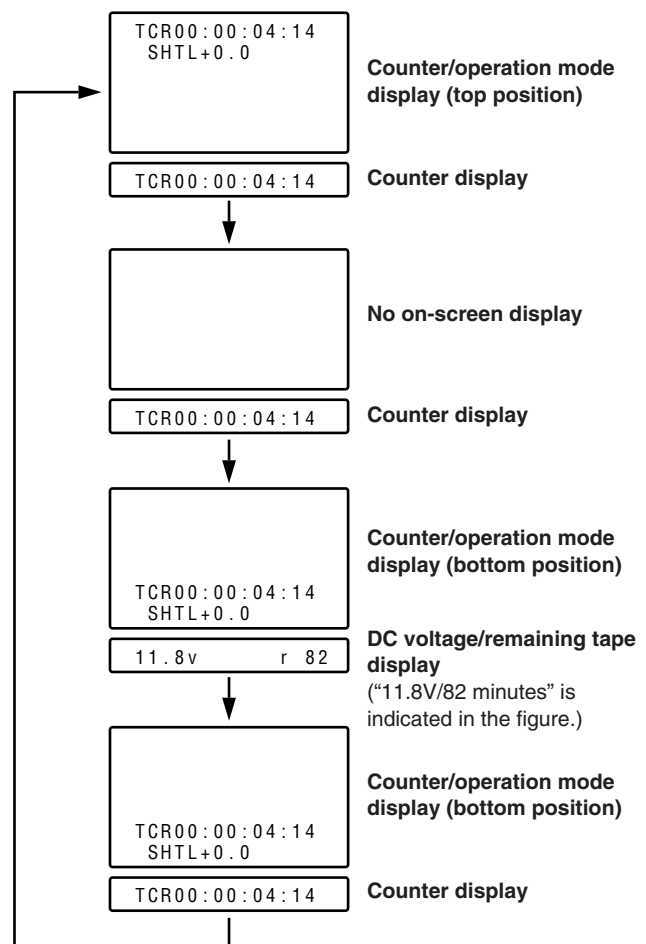
3 BRIGHTNESS control

Used to adjust the brightness of the LCD monitor.

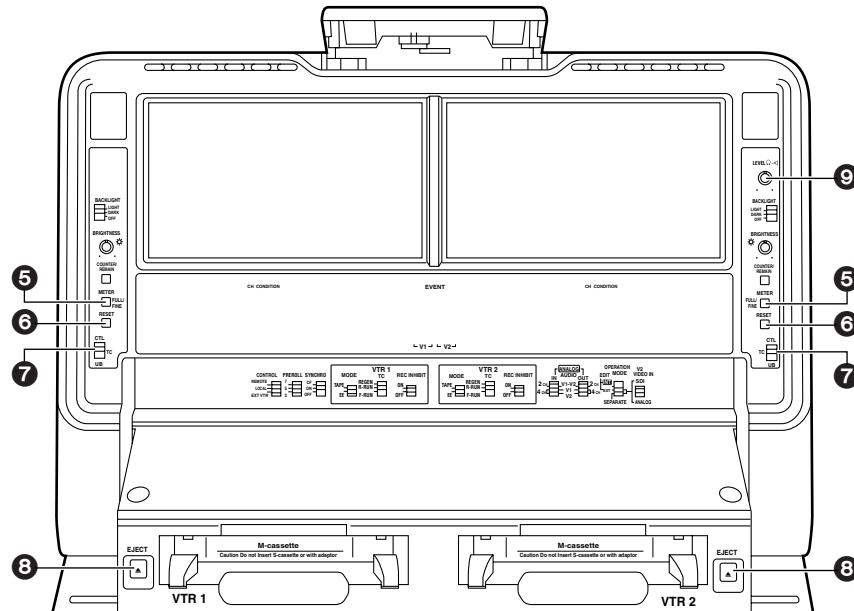
4 COUNTER/REMAIN switch

This is used to switch what is to be shown on the display tube and the superimposed display position on the monitor screen.

Each time the switch is pressed, the display is changed in the sequence presented below.



Parts and their functions



Panel control area

5 METER button

While this is held down, the audio level meter is set to the fine mode. (See page 10)

6 RESET button

Used to reset the CTL counter.

7 COUNTER switch

CTL: The CTL pulse count after resetting is shown on the counter display area. It is reset by the RESET button.

TC: The time code which has been read out is displayed. It is not reset even if the RESET button is pressed.

UB: The user's bit of the time code which has been read out is displayed.

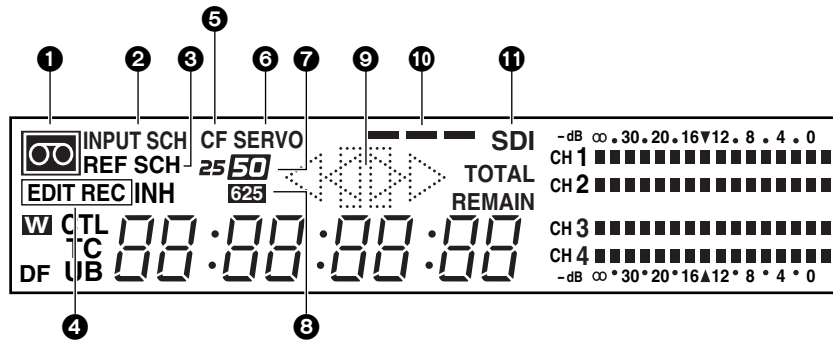
8 EJECT button

Press this to eject the tape.

9 LEVEL control

Used to adjust the output level of the internal speakers and headphones.

Parts and their functions



Counter display area

1 "Cassette inside" display

This lights when a cassette has been inserted. It flashes when the unit is in the STANDBY OFF mode.

2 INPUT SCH lamp

INPUT lights when video signals have been supplied from an external source. SCH also lights when the SC-H (subcarrier to horizontal) phase matches and analog composite signals are input.

3 REF SCH lamp

REF lights when the reference signal has been supplied to the REF VIDEO IN connector. SCH also lights when the SC-H phase matches and the reference signal is input.

4 EDIT REC/REC/REC INH lamp

EDIT REC: This lights when the unit is in the edit recording mode.
REC: This lights when the unit is in the recording mode.
REC INH: This lights when the unit is in the recording inhibited mode.

5 CF lamp

This lights when the color frame is locked.

6 SERVO lamp

This lights when the servo is locked.

7 25/50 lamps

25: This lights during DVCPRO (25 Mbps mode) recording or playback.
50: This lights during DVCPRO (50 Mbps mode) recording or playback.

8 625 lamps

This lights when the 625i TV system has been selected.

9 Operation modes

▶ : For normal playback and recording.
 ◻▶ : For playback at less than the normal speed (1×).
 ◻▶▶ : For playback at a speed faster than 1×.
 ▶▶ : For fast forwarding.
 ◀ : For reverse playback at 1×.
 ◀◻ : For reverse playback at less than 1×.
 ◀◻◻ : For reverse playback at a speed faster than 1×.
 ◀◀ : For rewinding.
 ◻◻ : For pause/still.

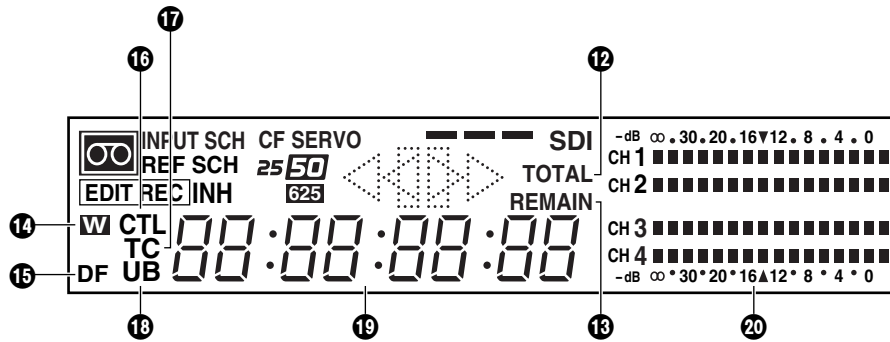
10 Channel condition lamps (green ▶ blue ▶ red)

Green: This lights when the error rate of the video playback signals or audio playback signals is acceptable.
Blue: This lights when the error rate of either the video playback signals or audio playback signals has deteriorated. The playback picture and sound are still normal even when this lamp is on.
Red: This lights when the error rate of either the video playback signals or audio playback signals has been subject to correction or interpolation.

11 SDI lamp

The signals of the VTR for which this lamp is lighted are output from the SDI OUT connector. VTR1 or VTR2 is selected by setup menu item No.174 (SDI OUT).

Parts and their functions



Counter display area

12 TOTAL lamp

This lights when the total editing time is displayed.

13 REMAIN lamp

This lights when the remaining tape amount is displayed.

14 W lamp

This lights in the wide-screen mode.

15 DF lamp

This lights in the drop frame mode.

16 CTL lamp

This lights when the time counter serves as the CTL counter.

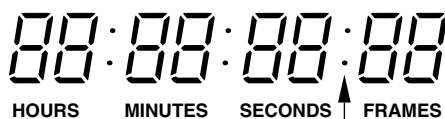
17 TC lamp

This lights when the time counter shows the time code.

18 UB lamp

This lights when the time counter shows the user's bit.

19 Time counter display



In the non-drop frame mode:



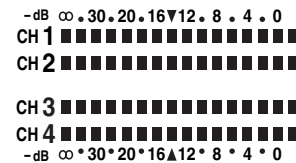
In the drop frame mode:



Time code cannot be read:



20 Audio level meter



Pressing the METER button sets the audio level meter to the fine mode.

Using the ▼ mark as the reference level (-20 dB for 525i mode; -18 dB for 625i mode), the scale increments are set at 1 dB intervals.

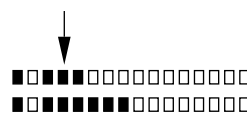
Audio signals at the reference level can be input from an external source and their recording level adjusted.

When a blank tape or the unrecorded part of a tape is played, fast forwarded or rewind, the audio level meter is set to the tape position display mode, and the present tape travel position is indicated as a percentage.

Display example:

The tape is now running through a position which is equivalent to 36% along the tape from its start.

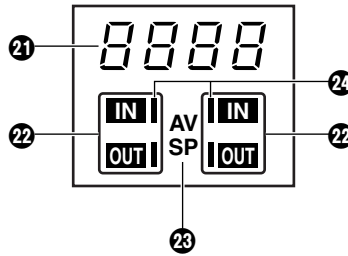
Scale increments in 10's indicating the first digit of the percentage figure: 3



Scale increments in 1's indicating the second digit of the percentage figure: 6



Parts and their functions



Counter display area

21 Event number display lamps

This unit controls up to 200 sets of edit data (001 to 200) in the form of 3-digit event numbers. One of the following displays appears depending on the editing status.

n###: Indicates that the No.### event is a new event which has not been stored on the EDL (edit list). (New event)

d###: Indicates that the No.### event is an event which has been deleted from the EDL.

###: Indicates that the No.### event has been stored on the EDL.

FULL: Indicates that all 200 events have now been stored.

- - - -: Indicates that the remote switch or the OPERATION MODE switch has been set to SEPARATE.

r S t: Appears when the unit has been reset after the power was turned on.

r###: Indicates that the No.### event is an event that has been edited.

24 Split edit point setting display lamps

These are positioned at the side of the IN lamps, and they light up for the VTR which is used to set the split edit point.

22 Edit point setting display lamps (IN/OUT lamps)

The lamp corresponding to the type of edit point which has been set lights.

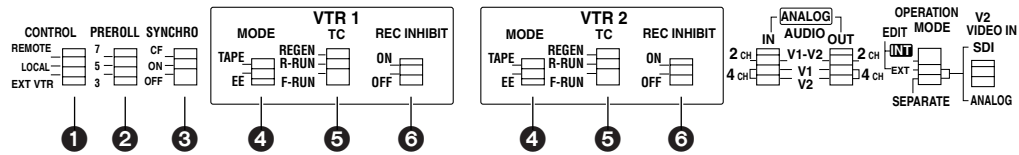
23 Split editing display lamps (A SP, V SP lamps)

These light when split editing has been set.

Set the setup menu No. 375 (SPLIT EDIT) setting to AUDIO and register a split edit point. The A SP lamp lights to indicate that the audio split edit mode has been established.

Similarly, set it to VIDEO and register a split editing point and the V SP lamp lights to indicate that the video split mode has been established.

Parts and their functions



Panel switch area

1 CONTROL switch

REMOTE: For controlling the unit from the REMOTE connector (9P).

LOCAL: For controlling the unit using the controls on its front panel.

EXT VTR: For controlling an external VTR using the controls on the unit's front panel. The VTR connected to the 9P connector of VTR1 can be controlled using the control system of VTR1.

<Note>

This switch is forcibly set to the LOCAL position in the 625i mode.

2 PREROLL switch

Used to set the preroll time to 3, 5 or 7 seconds. When the phase synchronization does not serve the purpose or editing has failed or for other reasons, the preroll time is automatically set to the next longest setting. (If 7 seconds is set, this will remain set as the preroll time.)

3 SYNCHRO switch

Used to set the phase synchronization and/or color framing.

CF: Phase synchronization and color framing are performed.

ON: Phase synchronization is performed but color framing is not performed.

OFF: Phase synchronization is not performed.

4 TAPE/EE switch

Used to select the signals which are output in the stop, fast forward or rewind mode.

TAPE: The signals played back from the tape are output.

EE: The input-switched input signals are output.

5 TC switch

REGEN: The built-in time code generator is synchronized to the time code selected by the setup menu item No.570 (REGEN SEL) setting.

R-RUN: The time code advances only during recording. (Pre-settable)

F-RUN: The time code advances regardless of the operation mode while the power remains on. (Pre-settable)

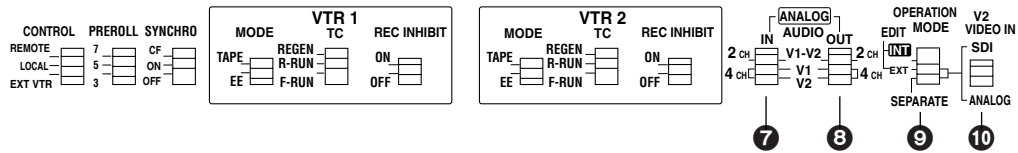
6 REC INHIBIT switch

Used to select whether signals are to be recorded on the cassette tape.

ON: Recording on the cassette tape is inhibited. At this time, the REC INH lamp in the display tube lights.

OFF: Recording on the tape is possible provided that the accidental erasure prevention mechanism on the cassette tape is at the recording enable position.

Parts and their functions



Panel switch area

7 ANALOG AUDIO IN switch

Used to set the allocation of the audio signals to the 4 analog audio input connectors (on the rear panel).

V1-V2 (2ch): Of the 4 inputs, the two on the VTR1 side are supplied to the VTR1's input connectors, and the two on the VTR2 side are supplied to the VTR2's input connectors.

V1 (4ch): The 4 inputs are allocated to the 4 channels of VTR1.

V2 (4ch): The 4 inputs are allocated to the 4 channels of VTR2.

8 ANALOG AUDIO OUT switch

Used to set the allocation of the audio signals to the 4 analog audio output connectors (on the rear panel).

V1-V2 (2ch): Of the 4 outputs, two on the VTR1 side are supplied to the VTR1's output connectors, and two on the VTR2 side are supplied to the VTR2's output connectors.

V1 (4ch): The 4 outputs are allocated to the 4 channels of VTR1.

V2 (4ch): The 4 outputs are allocated to the 4 channels of VTR2.

9 OPERATION MODE switch

INT: In this mode, editing from VTR1 to VTR2 is accomplished using the internal connections. VTR1 recording is prohibited.

EXT: In this mode, editing from VTR1 to VTR2 is accomplished using the external analog connections. VTR1 recording is prohibited.

SEPARATE:

In this mode, VTR1 and VTR2 are operated independently.

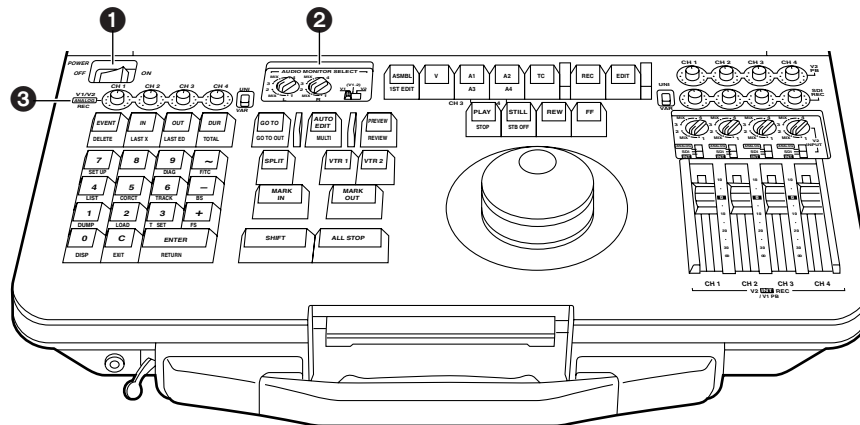
10 V2 VIDEO input selector switch

Used to select the video input of VTR2 when the OPERATION MODE switch is at the EXT or SEPARATE position.

SDI: Serial digital video signals are input.

ANALOG: Analog video signals are input.

Parts and their functions



AUDIO control area

① POWER switch

Used to control the unit's power.

② AUDIO MONITOR SELECT switches

Used to select the audio monitor output and speaker output.

● V1/V1•2/V2 switch

V1: The VTR1 sound is output to the left and right channels.

V1•2: The VTR1 sound is output to the left channel and the VTR2 sound to the right channel.

V2: The VTR2 sound is output to the left and right channels.

● L (V1) switch, R (V2) switch

The selected audio channel sound is output to the left (or right) channel. When mixing between 1 and 2, the mixed signals of channel 1 and channel 2 are output; when mixing between 3 and 4, the mixed signals of channel 3 and channel 4 are output.

③ Analog audio recording level controls and UNI/VAR switch

For each analog audio input connector (XLR) on the rear panel there is one level control.

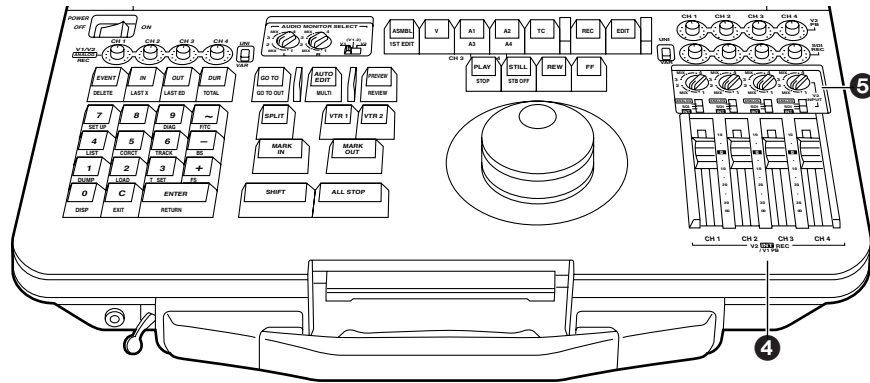
When the UNI/VAR switch is set to VAR, the audio recording level can be adjusted separately for each input channel.

When it is set to UNI, the levels are fixed to the initial values regardless of the positions of the level controls.

<Note>

When V2 IN is selected as the setup menu item No.172 (VTR1 IN SEL) setting and the same sound is to be recorded on VTR1 and VTR2, the recording level for both VTR1 and VTR2 is adjusted using these controls. (The recording level cannot be adjusted separately for VTR1 and VTR2.)

Parts and their functions



AUDIO control area

④ V1 audio playback level controls/V2 INT audio recording level controls

These controls enable the playback audio level of VTR1 to be adjusted for each channel.

They are also used to adjust the volume during editing from VTR1 to VTR2.

Slide controls are used to make for fine and smooth adjustments.

The position marked "0" denotes the reference level.

(-20 dB for 525i mode; -18 dB for 625i mode)

⑤ V2 AUDIO input selector switches

Used to select the sound which is to be input to the audio channels of VTR2.

● INT/SDI/ANALOG switch

INT: The VTR1 audio signals are input to VTR2 by the internal digital connections. Their level can be adjusted by the level controls ④.

SDI: The SDI embedded audio signals, which have been input to the SDI connector, are supplied to VTR2. Their level can be adjusted by the level controls ⑥.

ANALOG:

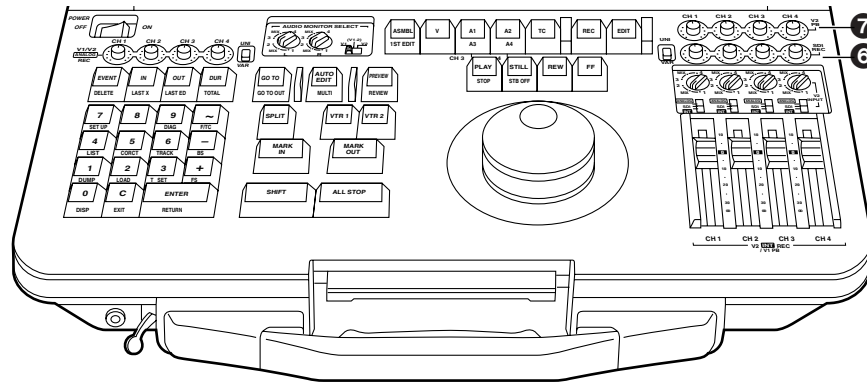
The analog signals which have been input are supplied to VTR2. Their level can be adjusted by the level controls ③.

● Channel selector switches

The audio signals selected by the INT/SDI/ANALOG switch are input to the VTR2 channels which are selected by these switches.

When mixing between 1 and 2, the mixed signals of channel 1 and channel 2 are input; when mixing between 3 and 4, the mixed signals of channel 3 and channel 4 are input.

Parts and their functions



AUDIO control area

6 SDI audio recording level controls and UNI/VAR switch

For each channel of the superimposed sound which is input from the SDI input connector (on the rear panel) there is one level control.

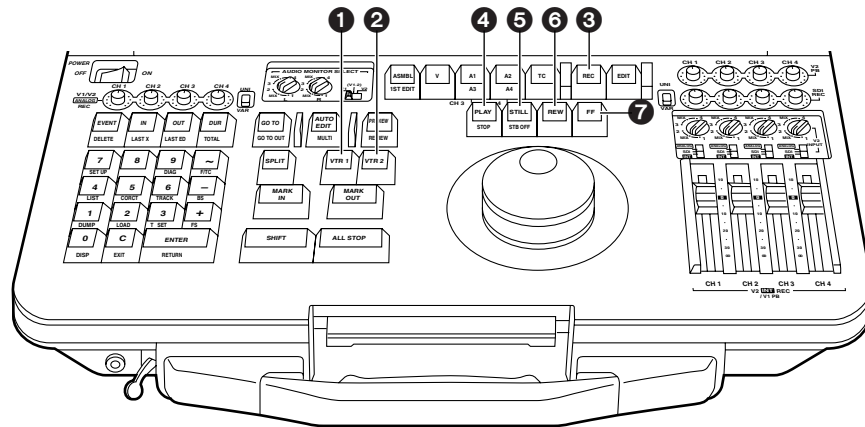
When the UNI/VAR switch is set to VAR, the audio recording level can be adjusted separately for each input channel.

When it is set to UNI, the levels are fixed to the initial value regardless of the positions of the level controls.

7 V2 audio playback level controls

These controls enable the playback audio level of VTR2 to be adjusted for each channel.

Parts and their functions



Editing operation area

❶ VTR1 selector button

Press this button to perform VTR1 editing-related settings or operations.

Check that its LED has lighted before proceeding with the VTR1 editing-related settings or operations.

❷ VTR2 selector button

Press this button to perform VTR2 editing-related settings or operations.

Check that its LED has lighted before proceeding with the VTR2 editing-related settings or operations.

<Note>

The VTR1 and VTR2 simultaneous operation mode is established by pressing ([SHIFT] + [VTR1]) or ([SHIFT] + [VTR2]) together, and both LEDs ❶ and ❷ light.

To release the simultaneous operation mode, press the VTR1 or VTR2 button.

In the simultaneous operation mode, it is not possible for editing settings and menu settings to be performed at the same time.

❸ REC button

To set the unit to the recording mode manually, press this button together with the PLAY button.

Recording on VTR1 is possible only when the OPERATION MODE switch has been set to SEPARATE.

When the button is pressed while the REC INHIBIT switch is at OFF, the E-E mode will be established for the video/audio channel 1 to channel 4 signals for as long as the button is held down.

❹ PLAY (STOP) button

PLAY: Press this button to set the VTR to the playback mode.

STOP ([SHIFT] + [PLAY]):

To set the VTR to the STOP mode, press the PLAY button while holding down the SHIFT button.

❺ STILL (STBY OFF) button

STILL: Press this button to set the unit to the still-picture mode.

STBY OFF ([SHIFT] + [STILL]):

To release the standby mode while the still-picture or stop mode is established, press the STILL button while holding down the SHIFT button.

❻ REW button

Press this button to rewind the tape.

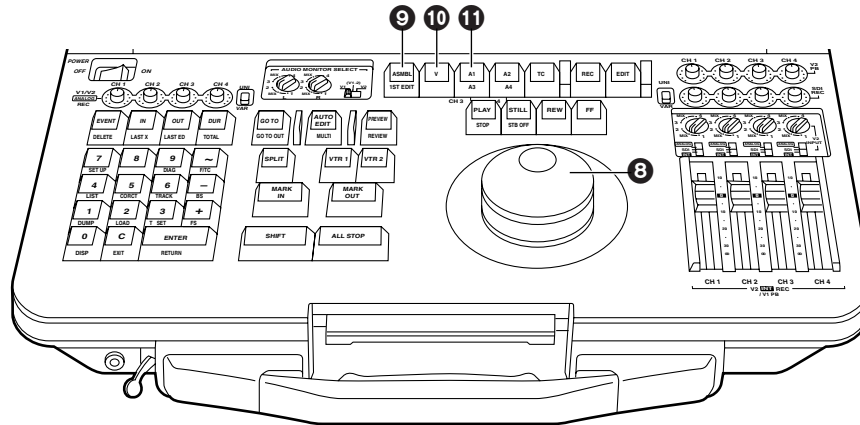
❼ FF button

Press this button to fast forward the tape.

<Note>

Tape travel stops when the REW and FF buttons are pressed at the same time.

Parts and their functions



Editing operation area

8 Search dial

This is used to control the tape travel. It is also used when edit points are to be located or when playing back tapes.

The shuttle mode is established when the dial is "out" (up), and the jog mode is established when it is pushed in.

Each time the dial is pressed, the unit alternates between these two modes.

9 ASMBL (1ST EDIT) button

ASMBL:

Press this button to initiate assemble editing. Check that its LED has lighted before proceeding with editing.

1ST EDIT ([SHIFT] + [ASMBL]):

The editing tape must have black burst signals, time codes or CTL signals recorded on it ahead of time. To initiate first editing, press the ASMBL button while holding down the SHIFT button.

For further details, refer to page 53 ("Preparing tapes for editing").

10 V button

Press this button to initiate video insert editing.

Check that its LED has lighted before proceeding with editing.

11 A1 (A3) button

A1: Press this button to initiate audio channel 1 insert editing.

Check that its LED has lighted before proceeding with editing.

A3 ([SHIFT] + [A1]):

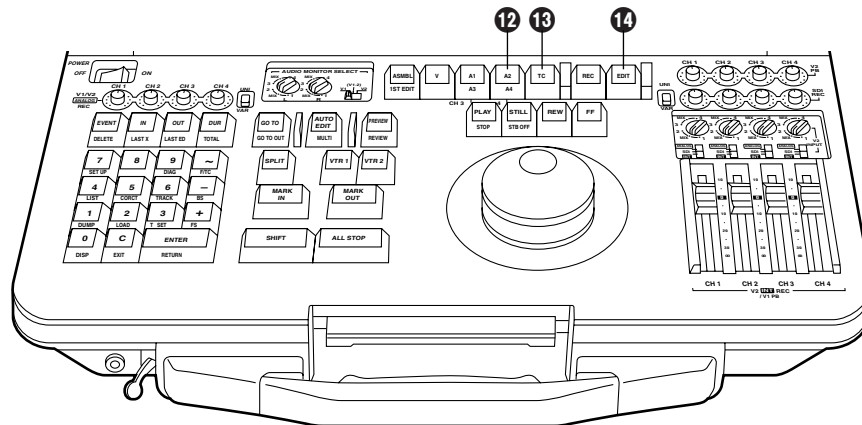
To initiate audio channel 3 insert editing, press the A1 button while holding down the SHIFT button.

Check that its LED has lighted before proceeding with editing.

<Note>

The A3 LED will light in the 25 Mbps mode also but CH3 editing operations cannot be performed.

Parts and their functions



Editing operation area

12 A2 (A4) button

A2: Press this button to initiate audio channel 2 insert editing.

Check that its LED has lighted before proceeding with editing.

A4 ([SHIFT] + [A2]):

To initiate audio channel 4 insert editing, press the A2 button while holding down the SHIFT button.

Check that its LED has lighted before proceeding with editing.

<Note>

The A4 LED will light in the 25 Mbps mode also but CH4 editing operations cannot be performed.

13 TC button

Press this button to initiate time code insert editing.
Check that its LED has lighted before proceeding with editing.

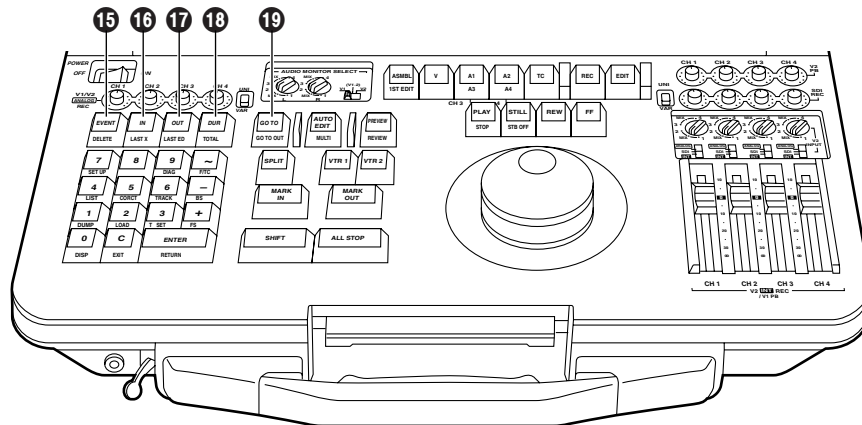
14 EDIT button

When this button is pressed during VTR2 playback, the E-E mode is established in accordance with the selected edit mode (ASMBL, A1, A2, A3, A4 or TC) for as long as the button is held down. (Select E-E)

When it is pressed together with the PLAY button during VTR2 playback, editing is initiated in the selected edit mode (ASMBL, A1, A2, A3, A4 or TC). (Manual editing)

To exit manual editing, press the ALL STOP button.

Parts and their functions



Editing operation area

15 EVENT button

EVENT:

To change the event number, press this button, then use the numeric input keys to input the event number, and press the ENTER button.

DELETE ([SHIFT] + [EVENT]):

Press this button to delete an event which has been registered.

“d” is indicated in the event number display area.

16 IN (LAST X) button

IN: Press this button to set or display an edit IN point.

LAST X ([SHIFT] + [IN]):

To re-register an event which has been deleted, press this button while holding down the SHIFT button.

The “d” indication is cleared to a blank display.

17 OUT (LAST ED) button

OUT:

Press this button to set or display an edit OUT point.

LAST ED ([SHIFT] + [OUT]):

To return to the previously previewed data, press this button while holding down the SHIFT button.

18 DUR (TOTAL) button

DUR:

Press this button to set or display the duration.

TOTAL ([SHIFT] + [DUR]):

To show the total editing time on the VTR2 display, press this button while holding down the SHIFT button.

19 GO TO (GO TO OUT) button

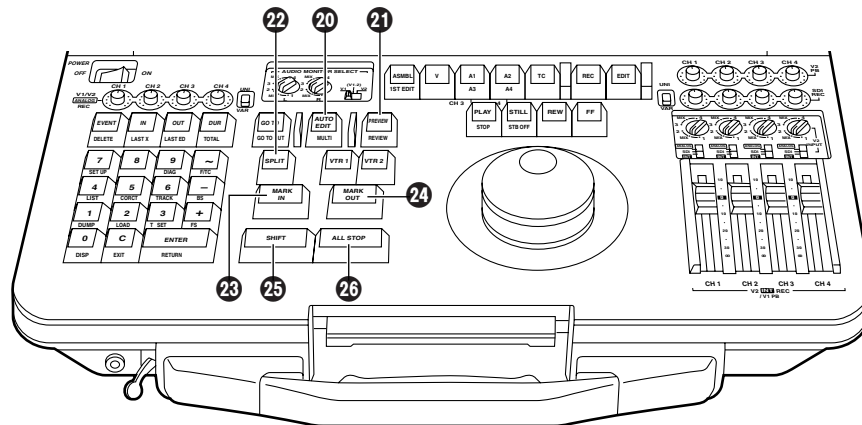
GO TO:

To search the edit IN point on the tape with the edit IN point already set, press this button.

GO TO OUT ([SHIFT] + [GO TO]):

To search the edit OUT point on the tape with the edit OUT point already set, press this button while holding down the SHIFT button.

Parts and their functions



Editing operation area

20 AUTO EDIT/END (MULTI EDIT) button

AUTO EDIT/END:

Press this button to initiate automatic editing. When editing was initiated without setting the OUT point (open-ended editing), press this button to end the editing and store the point at which the button was pressed as the OUT point.

MULTI EDIT ([SHIFT] + [AUTO EDIT]):

Press this button while holding down the SHIFT button to initiate multi-event editing. Multi-event editing is now executed automatically until the last event is edited or until the operation is forcibly ended by pressing the ALL STOP button.

21 PREVIEW (REVIEW) button

PREVIEW:

Press this button to rehearse the editing.

REVIEW ([SHIFT] + [PREVIEW]):

Press this button while holding down the SHIFT button to check the results of the editing.

22 SPLIT button

Press this button to initiate split editing.

Check that its LED has lighted, and set the split IN point.

23 MARK IN button

Press this button to set an edit IN point by reading the VTR's time code or CTL.

Press it while holding down the SHIFT button to set the split IN point.

24 MARK OUT button

Press this button to set an edit OUT point by reading the VTR's time code or CTL.

25 SHIFT button

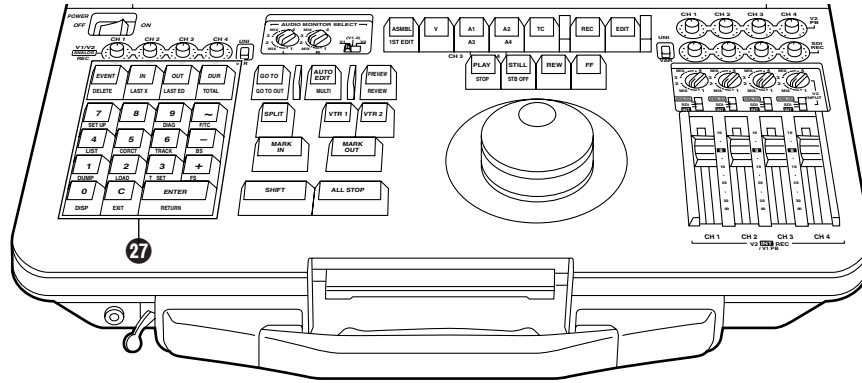
To use any of the functions indicated at the bottom of the buttons, press the button concerned while holding down the SHIFT button.

26 ALL STOP button

Press this button to shut down all the VTR's operations.

During editing (PREVIEW, EDIT REVIEW), the editing operation concerned is suspended.

Parts and their functions



Editing operation area

27 Numeric input buttons

0, 1, 2, 3, 4, 5, 6, 7, 8, 9:

Used to set the edit data, etc. by inputting the numeric values of the data.

C:

Used to clear the numeric values or other edit data entered.

+/-:

Used to change the edit data or change the settings in the setup mode, etc.

ENTER:

Used to enter the edit data, etc. as numeric values.

DISP ([SHIFT] + [0]) :

Used to set the superimposing on the LCD monitor screen ON or OFF.

DUMP ([SHIFT] + [1]) :

Press to transfer edit data (EDL) to an external component.

LOAD ([SHIFT] + [2]) :

Press to load edit data (EDL) from an external component into the internal EDL memory.

T SET ([SHIFT] + [3]) :

Used to set the time code generator's initial values when the TC generator switch is at the preset (R-RUN or F-RUN) position.

LIST ([SHIFT] + [4]) :

Used to display the edit data on the monitor screen.

CORCT ([SHIFT] + [5]) :

Press to change the edit data which has already been stored in the EDL memory.

TRACK ([SHIFT] + [6]) :

Press to initiate time track processing.

SET UP ([SHIFT] + [7]) :

Press to perform the settings for the whole system.

The setup menus appear on the monitor screen.

DIAG ([SHIFT] + [9]) :

Used to display the DIAG MENU, etc.

F/TC ([SHIFT] + [~]) :

Used to select whether the numeric values will be input in time codes or in frames when these values are to be input.

FS ([SHIFT] + [+]) :

Press to change to the next event.

BS ([SHIFT] + [-]) :

Press to change to the previous event.

EXIT ([SHIFT] + [C]) :

Press to stop the input of the edit points or other data at any time.

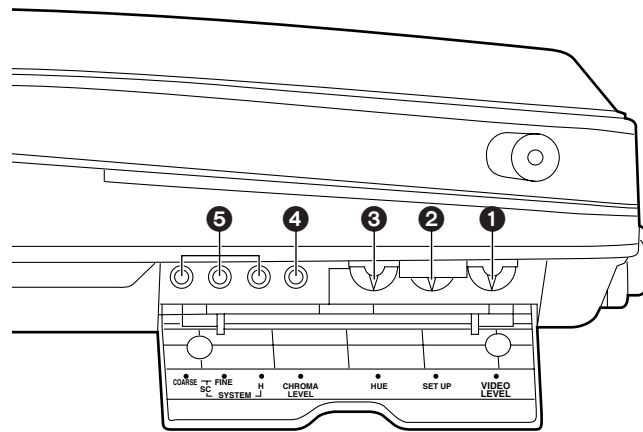
In the setup mode, this discards the settings and exits the setup mode.

RETURN ([SHIFT] + [ENTER]) :

Press to stop the input of the edit points or other data at any time.

In the setup mode, this enters the settings.

Parts and their functions



VTR1 controls (side panel)

Encoder control area (VTR1)

Encoder and systems adjustments can be performed using these controls for the video signals to be output to an external device.

<Note>

The VTR2 controls are positioned symmetrically to the VTR1 controls.

① VIDEO LEVEL control

Used to adjust the video level of the video output signals.

② SET UP control

Used to adjust the setup level of the video output signals.

③ HUE control

Used to adjust the hue of the video output signals.

④ CHROMA LEVEL control

Used to adjust the chroma level of the video output signals.

⑤ SYSTEM controls

Used to perform the system adjustments when a reference video signal is to be input for synchronization purposes.

H: Used to adjust the system's horizontal phase (in subcarrier cycle increments).

SC FINE:

Used to adjust the system's subcarrier phase. (It is capable of 90-degree P-P continuous adjustments.)

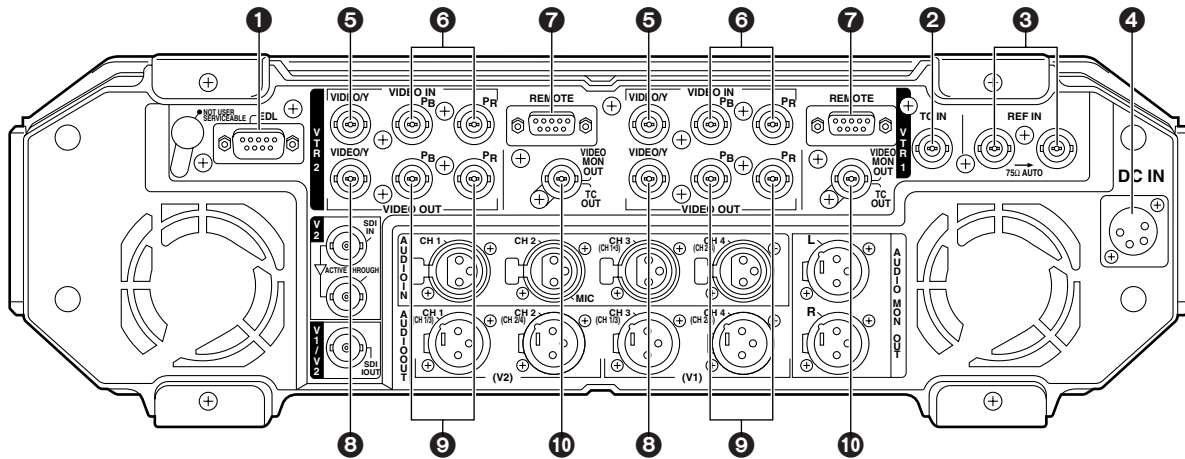
SC COARSE:

Used to adjust the system's subcarrier phase. (It has 4 positions, each of which corresponds to 90 degrees.)

<Note>

It may not be possible to adjust the phase in the 625i mode even when the system adjustments at the VTR1 side are performed.

Parts and their functions



Connector area

① EDL connector (D-SUB 9P)

Connect a personal computer or other external unit to this connector to upload and download the edit data.

② TC IN connector (BNC)

The external time code signal (LTC) is supplied to this connector.

③ REF VIDEO IN connectors (BNC ×2, loop-through)

These are automatically terminated with a 75 Ω resistance.

Supply standard analog composite signals to these connectors. The unit's video output will be synchronized with the input signals.

④ DC IN connector (XLR 4P)

This is the DC power input socket. The AJ-B95, available as an optional accessory must be used for the power supply. No guarantees are made when the unit is operated by any other power supply.

⑤ VIDEO/Y IN connector (BNC)

The analog composite signals or analog component Y (luminance) signals are supplied to this connector.

The signals are selected using setup menu item No.670 (V IN SEL).

⑥ PB/PR IN connectors (BNC)

The analog component P_B and P_R signals are supplied to these connectors.

⑦ REMOTE connector (D-SUB 9P) (525i mode only)

This remote connector complies with the RS-422A standard. It enables the unit to be controlled using an external controller.

The remote connector of VTR1 is switched to the REMOTE OUT connector by setting the CONTROL switch to "EXT VTR".

An externally connected VTR can then be controlled using the unit's VTR1 operation system.

⑧ VIDEO/Y OUT connector (BNC)

The analog composite signals or analog component Y (luminance) signals are output from this connector.

The signals are selected using setup menu item No.671 (V OUT SEL).

⑨ PB/PR OUT connectors (BNC)

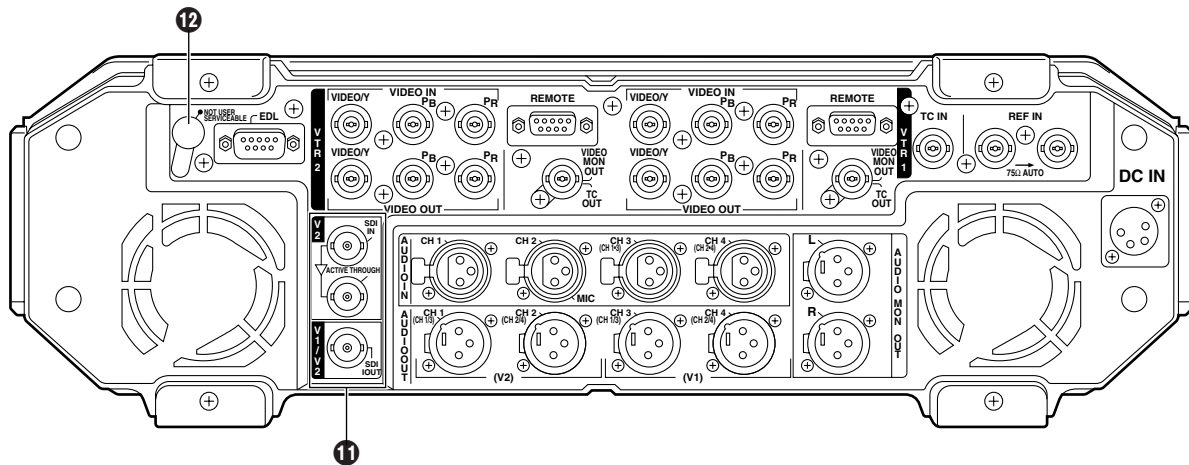
These are the output connectors for the analog component P_B and P_R signals.

⑩ VIDEO MONITOR OUT/TC OUT connector (BNC)

The video monitor signals are output from this connector.

The time code signal (LTC) is output when "TCOUT1" or "TCOUT2" has been selected as the setup menu item No.572 (V-MON/TC OUT) setting.

Parts and their functions



Connector area

⑪ SDI input/output connectors (BNC)

● SDI input connector

This is the input connector for the component serial digital signals.

SDI signals can be supplied to VTR2 and recorded by setting the V2 VIDEO input selector switch (see page 13) and V2 AUDIO input selector switch (see page 15).

<Note>

These signals cannot be supplied to VTR1.

● SDI ACTIVE THRU output connector

The signals supplied to the SDI input connector are output straight through the unit via the output buffer.

● SDI output connector

This is the output connector for the component serial digital signals.

The signals of the VTR selected by setup menu item No.174 (SDI OUT) are output. "SDI" lights on the fluorescent display tube of the selected VTR. (See page 9)

<Note>

Do not connect either of the SDI output connectors to the SDI input connector.

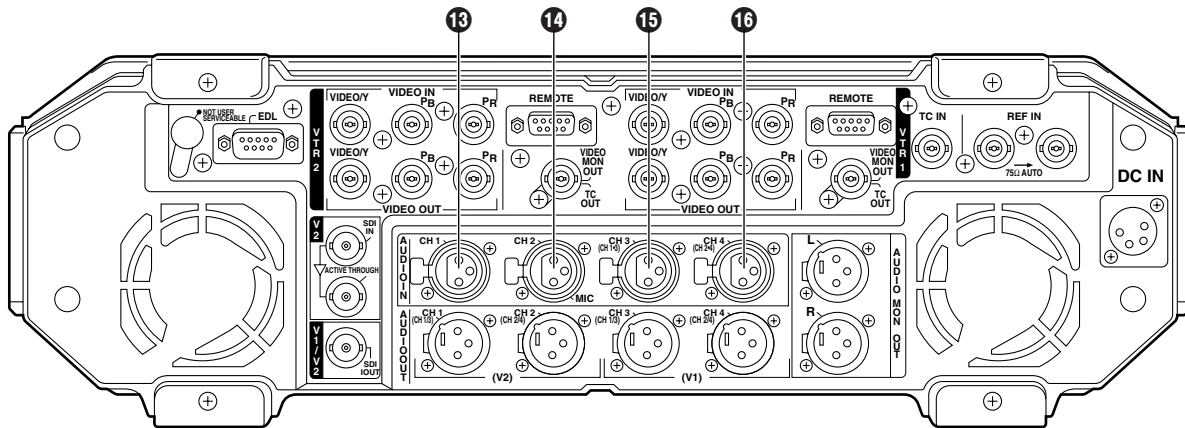
If this caution is ignored, the unit will not operate properly even if VTR1 has been selected as the setup menu item No.174 (SDI OUT) setting.

⑫ Service/maintenance switch hole

Inside this hole is a switch that is used for service and maintenance purposes.

It should never be touched by the user.

Parts and their functions



Connector area

13 14 15 16 Audio input connectors (XLR)

The analog audio signals are supplied to these connectors.

Their channel allocation can be changed as shown below by setting the ANALOG AUDIO IN switch.

ANALOG AUDIO IN switch setting	Recording channels on tape							
	VTR1				VTR2			
	Signals input to channel 1	Signals input to channel 2	Signals input to channel 3 (*1)	Signals input to channel 4 (*1)	Signals input to channel 1	Signals input to channel 2	Signals input to channel 3 (*1)	Signals input to channel 4 (*1)
V1. V2 (2ch)	Connector 15	Connector 16	Connector 15 (*3)	Connector 16 (*3)	Selected from: • Connector 13 • Connector 14 • Connectors 13 14 mixed (*2)	Selected from: • Connector 13 • Connector 14 • Connectors 13 14 mixed (*2)	Selected from: • Connector 13 • Connector 14 • Connectors 13 14 mixed (*2)	Selected from: • Connector 13 • Connector 14 • Connectors 13 14 mixed (*2)
V1 (4ch)	Connector 13	Connector 14	Connector 15	Connector 16	Sound muted	Sound muted	Sound muted	Sound muted
V2 (4ch)	Sound muted	Sound muted	Sound muted	Sound muted	Setting the V2 AUDIO input selector switch (channel selector switch) enables any audio signals to be selected. (See page 15)			

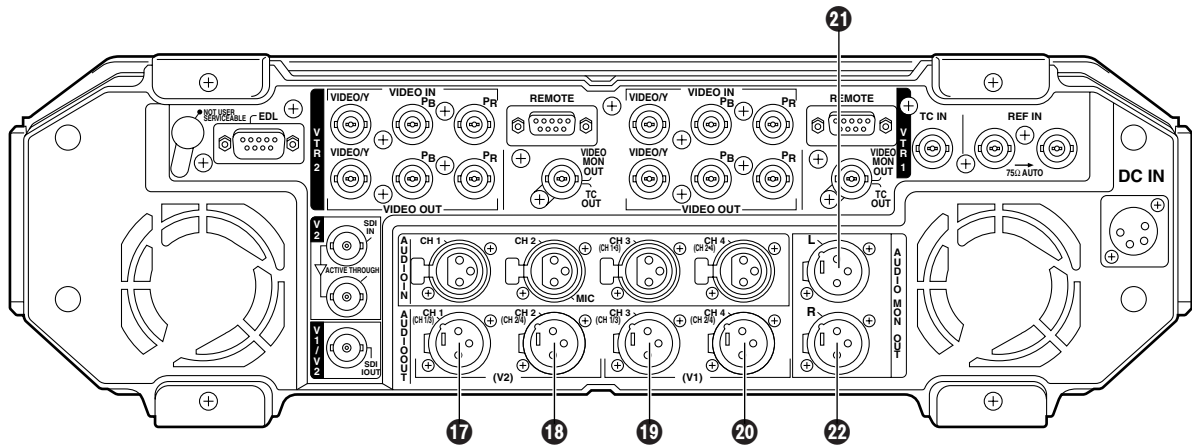
<Notes>

*1: No sound can be recorded on channels 3 and 4 in the 25 Mbps mode.

*2: The input for channels 1 and 2 (channels #1 and #2 from the left) can be selected from “connector 13 input,” “connector 14 input” and “connectors 13 14 mixed” by setting the V2 AUDIO input selector switch (channel selector switch). (See page 15)

*3: In the 2-channel mode, the same signals will be recorded at VTR1 on channels 1 and 3 as on channels 2 and 4.

Parts and their functions



Connector area

17 18 19 20 Audio output connectors (XLR)

The analog audio signals are output from these connectors.

Their channel allocation can be changed as shown below by setting the ANALOG AUDIO OUT switch.

ANALOG AUDIO OUT switch setting	Output signals from connector 17	Output signals from connector 18	Output signals from connector 19	Output signals from connector 20
V1. V2 (2ch)	VTR1 channel 1 or VTR2 channel 3 (*1)	VTR2 channel 2 or VTR2 channel 4 (*1)	VTR1 channel 1 or VTR1 channel 3 (*1)	VTR1 channel 2 or VTR1 channel 4 (*1)
V1 (4ch)	VTR1 channel 1	VTR1 channel 2	VTR1 channel 3 (*2)	VTR1 channel 4 (*2)
V2 (4ch)	VTR2 channel 1	VTR2 channel 2	VTR2 channel 3 (*2)	VTR2 channel 4 (*2)

<Notes>

*1: The output channels are selected by the setup menu item No.773 (PB AUDIO SEL) setting.

*2: Channel 3 and 4 signals are not output in the 25 Mbps mode.

Parts and their functions

Connector area

②① AUDIO MONITOR OUT connectors (XLR)

These are the audio monitor output connectors. Their output signals can be changed by setting the AUDIO MONITOR SELECT switches.

■ Concerning the audio output selected for the audio monitor connectors, internal speakers and headphones jack (front panel)

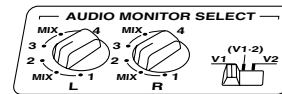
Which channels of which VTR, either VTR1 or VTR2, are to be selected for the audio signals which are to be output to the audio monitor connectors, internal speakers and headphones jack can be changed by setting the AUDIO MONITOR SELECT switches on the keyboard to support many audio monitoring options.

<Notes>

- The same signals from the same channels of the same VTR are output to audio monitor connector L, the internal speaker on the left side and headphones L. Similarly, the same signals from the same channels of the same VTR are output to audio monitor connector R, the internal speaker on the right side and headphones R. Different signals cannot be set for the connector, speaker and headphones.
- When the headphones are plugged into the headphones jack on the front panel, the sound from the internal speakers is automatically cut off.
- The level control (by the side of the liquid crystal monitor) on the front panel is used to adjust the sound through the internal speakers and headphones. This control cannot be used to adjust the level of audio signals which are output to the audio monitor connectors.

Setting method

Setting is possible when "V1+V2" has been selected as the setup menu item No.772 (AUTO MONI) setting.



1. To output the VTR1 sound to the L connector and the VTR2 sound to the R connector

- Set the V1/V1•2/V2 switch to "V1•2".
- Use the L (V1) switch to select the VTR1 audio channel whose sound is to be output to the L connector.
- Use the R (V2) switch to select the VTR2 audio channel whose sound is to be output to the R connector.

<Note>

Audio mixing is possible for channels 1 and 2 or for channels 3 or 4. No other combination of channels can be mixed.

2. To output the VTR1 sound to both the L and R connectors

- Set the V1/V1•2/V2 switch to "V1".
- Use the L (V1) switch to select the VTR1 audio channel whose sound is to be output to the L connector.
- Use the R (V2) switch to select the VTR1 audio channel whose sound is to be output to the R connector.

<Note>

In this mode, stereo sound consisting of VTR1 channels 1 and 2 can be produced by selecting "1" using the L (V1) switch and "2" using the R (V2) switch.

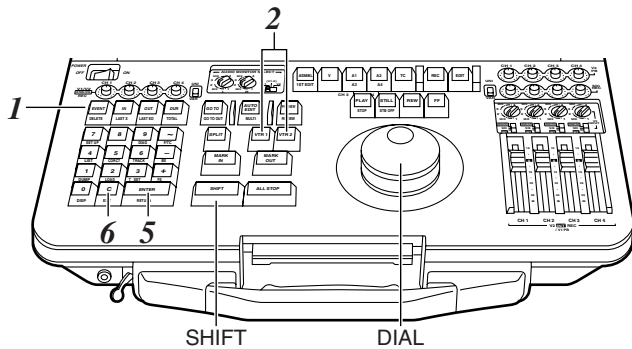
3. To output the VTR2 sound to both the L and R connectors

- Set the V1/V1•2/V2 switch to "V2".
- Use the L (V1) switch to select the VTR2 audio channel whose sound is to be output to the L connector.
- Use the R (V2) switch to select the VTR2 audio channel whose sound is to be output to the R connector.

<Note>

In this mode, stereo sound consisting of VTR2 channels 1 and 2 can be produced by selecting "1" using the L (V1) switch and "2" using the R (V2) switch.

Setup menu operations



All the setup items except the ones which are set by the selector switches are set on the on-screen menus.

- 1 Press the SET UP ([SHIFT] + [7]) button to transfer operation to the setup menu mode. The menu screen is displayed on the liquid crystal monitor and video monitor output.

<Note>

Even if ON has been selected as the setup menu item No.30 (MENU LOCK) setting, the menu screen appears and the settings can be checked but they cannot be changed.

- 2 To perform settings on the menu displayed on the VTR1 side, press the VTR1 button and check that this button's LED is lighted and that the VTR2 button's LED is off.
To perform settings on the menu displayed on the VTR2 side, press the VTR2 button and check that this button's LED is lighted and that the VTR1 button's LED is off.

- 3 Push in the search dial to set the jog mode. Turn the dial and select the item to be set. (The "✳" cursor now moves.)

<Note>

Press the FF or REW button to scroll the menu items to the next or previous page.

- 4 While holding down the SHIFT button, turn the dial and change the value. The value can be decremented by pressing the "-" button while holding down the SHIFT button and, conversely, incremented by pressing the "+" button while holding down the SHIFT button.

<Note>

To change the settings of setup menu item No.377 (1ST EDIT TC), No.378 (1ST EDIT UB), No.573 (TC PRESET) or No.574 (UB PRESET), press the T SET ([SHIFT] + [3]) button, and use the numeric input buttons to input the value.

The TC PRESET and UB PRESET values are set when the TC generator switch is set to "F-RUN" or "R-RUN".

Follow the steps below to input characters for setup menu item No.379 (1ST-E TITLE).

- ① Press the STILL button to display the character input screen.
- ② Press the SHIFT button.
The cursor now flashes at the position where the characters can be input.
- ③ While holding the SHIFT button down, select a character by pressing the "+" or "-" button.
- ④ While holding the SHIFT button down, move the character input position by pressing the "FF" or "REW" button.
- ⑤ Repeat steps ③ and ④ to input more characters.
- ⑥ Upon completion of the character input, release the SHIFT button, and press the STILL button to exit the character input screen.

- 5 When the RETURN ([SHIFT] + [ENTER]) button is pressed, the setting is entered, and the normal mode is restored.

- 6 When the EXIT ([SHIFT] + [C]) button is pressed, the setting is canceled, and the normal mode is restored.

Setup menu operations

User memory and factory settings

This unit has a user memory function in which users can store settings.

If a particular set of settings is stored, they can be recalled altogether.

It is also possible to recall the factory settings in one go.

(The TC PRESET and UB PRESET values can neither be stored nor recalled.)

Storing settings in the user memory

- 1 Press the SET UP ([SHIFT] + [7]) button to set the unit to the setup mode.
- 2 Make the changes to the desired settings.
- 3 Press the RESET button of VTR2 to display the initial setting screen.

```
SETUP-MENU INIT SET  
  
VTR1&2 OK?  
ALL<PLAY>/  
NOT SYSTEM<STILL>/  
NO<REW>/  
USER LOAD <LOAD>/  
USER SAVE <DUMP>
```

- 4 Press the DUMP ([SHIFT] + [1]) button to store the changed settings in the user memory.

Recalling settings registered in the user memory

- 1 Press the SET UP ([SHIFT] + [7]) button to set the unit to the setup mode.
- 2 Press the RESET button of VTR2 to display the initial setting screen.
- 3 Press the LOAD ([SHIFT] + [2]) button to recall the settings from the user memory.

Recalling the factory settings (menu reset)

- 1 Press the SET UP ([SHIFT] + [7]) button to set the unit to the setup mode.
- 2 Press the RESET button of VTR2 to display the initial setting screen.
- 3
 - If the PLAY button is pressed, all the items are returned to their factory settings.
 - If the STILL button is pressed, all the items except for the system items are returned to their factory settings.
 - If the REW button is pressed, recalling the factory settings is canceled.

Setup menus

SYSTEM menu

Item		Setting		Description of setting	V T R 1	V T R 2
No.	Superimposed display	No.	Superimposed display			
11	SYS SC	0000 : <u>0127</u> : 0255	-127 : 0 : 128	This is for adjusting the system phase. The total variable range is at least ± 180 degrees. -: The phase is advanced. +: The phase is delayed.	<input type="radio"/>	<input type="radio"/>
13	VIDEO PHASE	0000 : <u>0032</u> : 0064	-32 : 0 : 32	This is for adjusting the video signal phase (in 148 ns steps). -: The phase is advanced. +: The phase is delayed.	<input type="radio"/>	<input type="radio"/>
16	AV PHASE	0000 : <u>0090</u> : 0180	-90 : 0 : 90	This is for adjusting the phase of the audio output with respect to the video output signals (in 20.8 μ s steps). -: The audio output phase is advanced ahead of the video output. +: The audio output phase is delayed from the video output.	<input type="radio"/>	<input type="radio"/>
17	SYS H RANGE	0000 <u>0001</u>	FULL FINE	This selects the SYSTEM H variable range. 0: $\pm 8 \mu$ s 1: -2.0μ s to $+2.7 \mu$ s	<input type="radio"/>	<input type="radio"/>
18	SYS H OFFSET	0000 0001 0002 <u>0003</u> 0004 0005 0006	-3 -2 -1 0 1 2 3	This selects the SYSTEM H center position. 0: -13.4μ s 1: -8.96μ s 2: -4.52μ s 3: 0μ s 4: $+4.52 \mu$ s 5: $+8.96 \mu$ s 6: $+13.4 \mu$ s	<input type="radio"/>	<input type="radio"/>
30	MENU LOCK	<u>0000</u> 0001	OFF ON	This selects the setup menu lock mode. 0: The lock is released (enabling changes to be made). 1: The lock is engaged (prohibiting changes).	<input type="radio"/>	<input type="radio"/>
70	P.ON LOAD	<u>0000</u> 0001	OFF ON	This is for establishing the setting that changes the setup menu settings to the user's initial settings when the power is turned on. 0: The setup menu settings remain unchanged. 1: The setup menu settings are changed.	<input type="radio"/>	<input type="radio"/>

The underlining indicates the factory setting.

Setup menus

BASIC menu

Item		Setting		Description of setting	V T R 1	V T R 2
No.	Superimposed display	No.	Superimposed display			
001	LOCAL ENA	<u>0000</u> <u>0001</u>	DIS <u>ST&EJ</u>	This selects the switches which can be operated on the control panel when the CONTROL switch has been set to the REMOTE position. 0: None of the switches or buttons can be operated. 1: Only the STOP (ALL STOP) and EJECT buttons can be operated.	○	○
002	TAPE TIMER	<u>0000</u> <u>0001</u>	<u>±12h</u> 24h	This selects the time system displayed on the CTL counter. 0: The time is displayed using the 12-hour time system. 1: The time is displayed using the 24-hour time system.	○	○
003	REMAIN SEL	<u>0000</u> <u>0001</u>	OFF <u>ON</u>	This selects whether the REMAIN (remaining tape time) display is to be superimposed on the MONITOR OUT connectors and liquid crystal monitor screen. 0: REMAIN display is not shown. 1: REMAIN display is shown. <Notes> ● REMAIN display is not shown when the tape has been ejected or when the remaining tape time is calculated after the tape has been inserted. ● It is not shown when TIME has been selected as the setup menu item No.008 (DISPLAY SEL) setting. ● It is not shown when tape start or tape end is detected and BOT or EOT is displayed.	○	○
008	DISPLAY SEL	<u>0000</u> <u>0001</u> <u>0002</u>	TIME <u>T&STA</u> T&S&M	This selects what display is to be superimposed on the MONITOR OUT connectors and liquid crystal monitor screen. 0: Counter value is displayed. 1: Counter value and operation mode are displayed. 2: In addition to the counter value and operation mode, the remaining tape, tape format and error messages are displayed.	○	○
011	CHARA TYPE	<u>0000</u> <u>0001</u>	WHITE W/OUT	This selects the type of characters to be used for the superimposed display on the VIDEO MONI OUT connector and for the setup menus. 0: White characters on a solid black background 1: White characters with black borders	○	○
012	SYS FORMAT	<u>0000</u> <u>0001</u>	<u>50M</u> 25M	This selects the recording and playback format. 0: DVCPRO50 (50 Mbps) is selected. 1: DVCPRO25 (25 Mbps) is selected.	○	○
013	PB FORMAT	<u>0000</u> 0001	<u>MANUAL</u> AUTO	This selects the format used for tape playback. 0: The format corresponds to what is selected as the setup menu item No.012 (SYS FORMAT) setting. 1: The format corresponds to the format of the recording on the tape. <Notes> ● Internal operation for VTR2 is forcibly set to MANUAL when an editing mode has been selected. ● The automatic 525i/625i setting is not performed.	○	○
070	TV SYSTEM	<u>0000</u> <u>0001</u>	<u>525</u> 625	This selects the TV system. 0: The 525 interlace/59.94 Hz system is selected. 1: The 625 interlace/50 Hz system is selected. <Note> When this setting is changed, it is stored in the memory, and it takes effect when the power is turned off and back on again.		○

The underlining indicates the factory setting.

Setup menus

OPERATION menu

Item		Setting		Description of setting	V T R 1	V T R 2
No.	Superimposed display	No.	Superimposed display			
100	SEARCH ENA	<u>0000</u> 0001	<u>DIAL</u> KEY	This selects the direct search operation. 0: Direct search mode 1: Non-direct search mode (search dial operations are acknowledged only in the STILL mode).		<input type="radio"/>
101	SHTL MAX	0000 <u>0001</u> 0002	x8.4 x16 x32	This selects the maximum speed in the shuttle mode. 0: 84 times normal speed 1: 16 times normal speed 2: 32 times normal speed	<input type="radio"/>	<input type="radio"/>
102	FF. REW MAX	0000 <u>0001</u> 0002	x16 x32 x50	This selects the maximum speed of fast forwarding and rewinding. 0: 16 times normal speed 1: 32 times normal speed 2: 50 times normal speed	<input type="radio"/>	<input type="radio"/>
103	AUDIO MUTE	<u>0000</u> 0001	OFF ON	This selects the status to be established until the audio signals are output when the unit has transferred from the STOP mode or search mode to the PLAY mode. 0: The time taken until the audio signals are output is reduced. 1: The audio signals are output after the mode transfer has been completed.	<input type="radio"/>	<input type="radio"/>
106	EE MODE SEL	<u>0000</u> 0001	<u>NORMAL</u> THRU	This selects the output signals in the E-E mode. 0: The signals, which have been delayed by the time taken to process them internally, are output. 1: The signals are not internally processed and output in their original form without a delay. <Notes> ● "0: NORMAL" is forcibly selected when assemble or insert editing mode has been selected even with internal connections (INT mode) or even in the EXT/SEPARATE mode. ● The "THRU" mode is always set for VTR1.		<input type="radio"/>
107	PLAY DELAY	<u>0000</u> : <u>0005</u> : 0015	<u>0 (VTR1)</u> : <u>5 (VTR2)</u> : 15	This selects the PLAY mode startup time in frame increments. <Note> When VTR1 and VTR2 are connected to external components and controlled from them, set the same PLAY DELAY value for the whole system.	<input type="radio"/>	<input type="radio"/>
108	CAP. LOCK	0000 <u>0001</u>	4F 8F	This selects the CAPSTAN LOCK mode when the SYNCHRO switch has been set to CF. 0: 4F mode 1: 8F mode <Note> In the 525i mode, this setup menu item does not appear.		<input type="radio"/>
109	AUTO REW	<u>0000</u> 0001	OFF ON	This selects the processing to be conducted when the tape end has been detected. 0: The tape is stopped when it comes to the end. 1: The tape is rewound to its start.	<input type="radio"/>	<input type="radio"/>

The underlining indicates the factory setting.

Setup menus

OPERATION menu

Item		Setting		Description of setting	V T R 1	V T R 2
No.	Superimposed display	No.	Superimposed display			
110	MEMORY STOP	<u>0000</u> 0001	<u>OFF</u> ON	This selects the processing to be conducted when the counter displays zeros in the CTL mode or during FF or REW. 0: The VTR is not shut down. 1: The VTR is automatically shut down. <Note> ● For the stop mode, either the stop or still-picture (SHTL + 0.0, JOG STILL) mode is set depending on the setup menu item No.315 (AFTER CUE-UP) setting. ● When both the AUTO REW function and MEMORY function have been selected, the AUTO REW function takes priority.	○	○
170	HUMID OPE	<u>0000</u> 0001	<u>OFF</u> ON	This selects whether the unit is to continue operating when condensation has formed. 0: The unit does not operate. 1: It operates even when condensation has formed but no guarantees are made for its operation. <Note> Since tape damage or other problems may occur when "1: ON" has been selected, the "0: OFF" setting should normally be used.		○
171	ALL STOP SEL	<u>0000</u> 0001	STOP STILL	This selects the unit's mode to be established when the ALL STOP button has been pressed. 0: The unit is set to the STOP mode. 1: The unit is set to the still-picture (SHTL + 0.0, JOG STILL) mode.		○
172	VTR1 IN SEL	<u>0000</u> 0001	V1 IN V2 IN	This selects the VIDEO/AUDIO input of VTR1 when the analog signal input has been selected. 0: VTR1 IN serves as the VTR1 input. 1: VIDEO IN and AUDIO IN of VTR2 serve as the VTR1 input. <Notes> ● The unit will not operate when SDI signal input has been selected. ● This operation is not performed in the 625i mode.	○	
173	BATTERY SEL	<u>0000</u> 0001 0002 0003 0004 0005 0006 0007 0008	<u>10.8V</u> 11.0V 11.2V 11.4V 11.6V 11.8V 12.0V 12.5V 13.0V	This selects the voltage threshold for warning when the DC supply voltage has dropped. (The unit's power is automatically turned off when it drops to 10.6 V.) 0: When it has dropped to 10.8 V 1: When it has dropped to 11.0 V 2: When it has dropped to 11.2 V 3: When it has dropped to 11.4 V 4: When it has dropped to 11.6 V 5: When it has dropped to 11.8 V 6: When it has dropped to 12.0 V 7: When it has dropped to 12.5 V 8: When it has dropped to 13.0 V		○
174	SDI OUT	<u>0000</u> <u>0001</u>	VTR1 VTR2	This selects the SDI output. 0: The VTR1's signals are output. 1: The VTR2's signals are output.		○

The underlining indicates the factory setting.

Setup menus

INTERFACE menu

Item		Setting		Description of setting	V T R 1	V T R 2
No.	Superimposed display	No.	Superimposed display			
202	ID SEL	<u>0000</u> 0001	<u>OTHER</u> DVCPRO	This selects the ID information to be returned to the controller. 0: 20 25H (525i mode) is returned. 1: The DVCPRO's own ID and F0 33H (525i mode) is returned. <Note> This operation is not performed in the 625i mode.	<input type="radio"/>	<input type="radio"/>
205	BAUD RATE	0000 0001 0002 <u>0003</u> 0004	1200 2400 4800 <u>9600</u> 19200	This selects the RS-232C (EDL) transfer (baud) rate.		<input type="radio"/>
206	DATA LENGTH	0000 <u>0001</u>	7 <u>8</u>	This selects the RS-232C (EDL) data length. 0: 7 bits 1: 8 bits		<input type="radio"/>
207	STOP BIT	<u>0000</u> 0001	1 <u>2</u>	This selects the RS-232C (EDL) stop bit. 0: 1 bit 1: 2 bits		<input type="radio"/>
208	PARITY	0000 <u>0001</u> 0002	NON <u>ODD</u> EVEN	This selects the RS-232C (EDL) parity. 0: Parity bit is not used. 1: Parity bit is used with odd parity. 2: Parity bit is used with even parity.		<input type="radio"/>
270	FLOW CONTROL	<u>0000</u> 0001	NONE <u>RTSCTS</u>	This selects the RS-232C (EDL) communication flow control. 0: No flow control using RTS/CTS. 1: Flow control using RTS/CTS.		<input type="radio"/>
271	EDL FORMAT	<u>0000</u> 0001	<u>AGA850</u> CMX340	This selects the format in which the EDL is to be dumped. 0: Format which is common with Panasonic's AG-A850. 1: Format which is common with the CMX340 editing system.		<input type="radio"/>

The underlining indicates the factory setting.

Setup menus

EDIT menu

Item		Setting		Description of setting	V T R 1	V T R 2
No.	Superimposed display	No.	Superimposed display			
303	STD/NON-STD	<u>0000</u> 0001 0002	<u>AUTO</u> STD N-STD	This selects the STD or NON-STD to match the composite input signals. 0: The standard/non-standard signals are automatically identified and processed. 1: The standard signals are processed. (Forced STD) 2: The non-standard signals are processed. (Forced NON-STD) <Note> This operation is not performed in the 625i mode.	<input type="radio"/>	<input type="radio"/>
304	SERVO REF	<u>0000</u> 0001	<u>AUTO</u> EXT	This selects the servo synchronizing signals. 0: During recording or editing, the servo is synchronized with the input signals; during playback, it is synchronized with the REF signal. 1: The servo is synchronized with the REF signal at all times.	<input type="radio"/>	<input type="radio"/>
305	EDIT RPLCE1	<u>0000</u> <u>0001</u> 0002 0003	<u>N-DEF</u> CH1 CH2 CH1+2	This selects the allocation of the channels using the controller's analog audio editing commands when a controller without functions for digital audio editing is used to edit the digital audio signals of the VTR. The VTR's channel 1 editing commands can be set ON or OFF in accordance with the analog audio signals specified by the controller. 0: No setting 1: Setting accords with the analog channel 1 editing commands. 2: Setting accords with the analog channel 2 editing commands. 3: Setting accords with the analog channel 1 or channel 2 editing commands. <Note> This operation is not performed in the 625i mode.	<input type="radio"/>	<input type="radio"/>
306	EDIT RPLCE2	<u>0000</u> 0001 <u>0002</u> 0003	<u>N-DEF</u> CH1 CH2 CH1+2	As with setup menu item No.305, this selects the VTR's channel 2 editing commands ON or OFF in accordance with the analog audio signals specified by the controller. 0: No setting 1: Setting accords with the analog channel 1 editing commands. 2: Setting accords with the analog channel 2 editing commands. 3: Setting accords with the analog channel 1 or channel 2 editing commands. <Note> This operation is not performed in the 625i mode.	<input type="radio"/>	<input type="radio"/>
307	EDIT RPLCE3	<u>0000</u> 0001 0002 0003	<u>N-DEF</u> CH1 CH2 CH1+2	As with setup menu item No.305, this selects the VTR's channel 3 editing commands ON or OFF in accordance with the analog audio signals specified by the controller. 0: No setting 1: Setting accords with the analog channel 1 editing commands. 2: Setting accords with the analog channel 2 editing commands. 3: Setting accords with the analog channel 1 or channel 2 editing commands. <Note> This operation is not performed in the 625i mode.	<input type="radio"/>	<input type="radio"/>
308	EDIT RPLCE4	<u>0000</u> 0001 0002 0003	<u>N-DEF</u> CH1 CH2 CH1+2	As with setup menu item No.305, this selects the VTR's channel 4 editing commands ON or OFF in accordance with the analog audio signals specified by the controller. 0: No setting 1: Setting accords with the analog channel 1 editing commands. 2: Setting accords with the analog channel 2 editing commands. 3: Setting accords with the analog channel 1 or channel 2 editing commands. <Note> This operation is not performed in the 625i mode.	<input type="radio"/>	<input type="radio"/>

The underlining indicates the factory setting.

Setup menus

EDIT menu

Item		Setting		Description of setting	V T R 1	V T R 2
No.	Superimposed display	No.	Superimposed display			
311	AUD EDIT IN	<u>0000</u> <u>0001</u>	CUT FADE	This selects how to join audio edit IN points. 0: Cut editing 1: Fade editing		<input type="radio"/>
312	AUD EDIT OUT	<u>0000</u> <u>0001</u>	CUT FADE	This selects how to join audio edit OUT points. 0: Cut editing 1: Fade editing		<input type="radio"/>
313	AUTO ENTRY	<u>0000</u> 0001 0002 0003	OFF REC1 REC2 ALL	This selects whether a previous edit OUT point is to be registered automatically in the setting as the next edit IN point after automatic editing. 0: No automatic setting 1: Automatic setting for VTR2 only 2: Automatic setting for VTR2 only (with compensation of -12 frames) 3: Automatic setting for VTR1 and VTR2		<input type="radio"/>
315	AFTER CUE-UP	<u>0000</u> 0001	STOP STILL	This selects the unit's mode to be established upon completion of the cue-up operation. 0: The unit is set to the stop mode. 1: The unit is set to the still-picture (SHTL + 0.0, JOG STILL) mode.		<input type="radio"/>
317	AUD MEM MODE	<u>0000</u> 0001 0002	OFF INT_X INT_VO	This selects whether voice-over editing or audio cross-channel editing is to be performed using the internal audio memory. 0: No voice-over editing or audio cross-channel editing is performed. 1: Audio cross-channel editing is performed. 2: Voice-over editing is performed.		<input type="radio"/>
318	AUD MEM CH	<u>0000</u> <u>0001</u> 0002 0003	CH1 CH2 CH3 CH4	This selects the channel for which the voice-over editing or audio cross-channel editing is to be performed. 0: Editing in channel 1 1: Editing in channel 2 2: Editing in channel 3 3: Editing in channel 4		<input type="radio"/>
325	POSTROLL TM	<u>0000</u> <u>0001</u> 0002 0003	0.5s <u>1s</u> 2s 3s	This selects the postroll time (in 1-second increments).		<input type="radio"/>

The underlining indicates the factory setting.

Setup menus

EDIT menu

Item		Setting		Description of setting	V T R 1	V T R 2
No.	Superimposed display	No.	Superimposed display			
370	BEEP	0000	OFF	This selects whether the confirmation tone is to be sounded. 0: The confirmation tone does not sound. 1: The confirmation tone is sounded when registering is performed or when an error or warning has occurred. 2: The confirmation tone is sounded when registering is performed, when an edit IN or OUT point is passed or when an error or warning has occurred. 3: The confirmation tone is sounded when registering is performed, when an edit OUT point is passed or when an error or warning has occurred. It does not sound when an edit IN point is passed.		
		0001	ENTRY			
		<u>0002</u>	ALL1			
		0003	ALL2			○
371	SV-UNLK EDIT	0000	EDIT	This selects in what editing mode the editing is to be suspended when servo lock is not engaged. 0: Editing is not suspended and is continued. 1: Editing is suspended when the servo lock is not engaged in the editing run-up period. 2: Editing is suspended when the servo lock is not engaged in the editing run-up period or after edit recording mode has been suddenly established.		
		<u>0001</u>	ABORT1			
		0002	ABORT2			
						○
372	SYNCHRO EDIT	0000	OFF	This selects whether editing is to be suspended if phase synchronization cannot be achieved at an accuracy of ±0 frame when the SYNCHRO setting is ON. 0: Editing is not suspended. 1: Editing is suspended.		
		<u>0001</u>	ON			
373	SYNCHRO	<u>0000</u>	VTR1	This sets the VTR for which the phase is synchronized. 0: Phase is synchronized for VTR1. 1: Phase is synchronized for VTR2.		
		0001	VTR2			
374	EDL AUTO CLR	<u>0000</u>	OFF	This selects whether to clear the first event and overwrite the subsequent events successively when the EDL is full with registered events. 0: Events cannot be overwritten. 1: Events can be overwritten.		
		0001	ON			
375	SPLIT EDIT	<u>0000</u>	AUDIO	This selects the split editing reference. 0: The video edit points are used as the reference for audio split editing. 1: The audio edit points are used as the reference for video split editing.		
		0001	VIDEO			
376	1ST EDIT DUR	<u>0000</u>	<u>26s</u>	This selects the time during which the black burst signal is to be recorded during 1ST EDIT. 0: The signal is recorded for 26 seconds, after which the tape is reversed for 3 seconds and stopped. The point at which the tape has stopped serves as the point which is set by 1ST EDIT PRESET. 1: The signal is recorded to the tape end or the position where the tape is stopped by ALL STOP. When it is recorded to the tape end, the tape is automatically reversed to the 1ST EDIT PRESET position.		
		0001	T-END			
377	1ST EDIT TC			This selects the time code preset value during 1ST EDIT. 00:00:00:00 to 23:59:59:29 (525i mode) 00:00:00:00 to 23:59:59:24 (625i mode)		○
378	1ST EDIT UB			This selects the user's bit preset value during 1ST EDIT. 00:00:00:00 to FF:FF:FF:FF		○

The underlining indicates the factory setting.

Setup menus

EDIT menu

Item		Setting		Description of setting	V T R 1	V T R 2
No.	Superimposed display	No.	Superimposed display			
379	1ST-E TITLE			<p>This selects the title screen characters (3 lines ×20 characters) which is to be superimposed onto the black burst signal during 1ST EDIT.</p> <p>Characters: ABCDEFGHIJKLMNOPQRSTUVWXYZ0123456789 ,. : ; ? ! / ~ ' () + - ± * = → ←</p> <p><Notes></p> <ul style="list-style-type: none"> ● This item takes effect when ON has been selected as the setup menu item No.380 (1ST E-DISP) setting. ● This operation is not performed in the 625i mode. 		○
380	1ST-E DISP	<u>0000</u> 0001	<u>OFF</u> ON	<p>This sets whether the title screen is to be superimposed onto the black burst signal and recorded during 1ST EDIT.</p> <p>0: The title screen is not superimposed. 1: The title screen is superimposed.</p> <p><Note> The screen cannot be superimposed in the 625i mode.</p>		○
381	ENTRY CORR	<u>0000</u> 0001	<u>OFF</u> ON	<p>This selects whether to provide compensation for the OUT point registration when previewing open-ended editing.</p> <p>0: No compensation is provided. 1: Compensation is provided (-12 frames).</p>		○
382	SKIP (r) MARK	<u>0000</u> 0001	<u>OFF</u> ON	<p>This selects the processing of already edited events when multi-event editing is to be performed.</p> <p>0: Already edited events are re-edited during multi-event editing. 1: Multi-event editing is performed with the already edited events skipped.</p>		○

The underlining indicates the factory setting.

Setup menus

TAPE PROTECT menu

Item		Setting		Description of setting	V T R 1	V T R 2
No.	Superimposed display	No.	Superimposed display			
400	STILL TIMER	0000 0001 0002 0003 0004 0005 0006 0007 <u>0008</u>	0.5s 5s 10s 20s 30s 40s 50s 1min <u>2min</u>	This selects the time taken for the unit to be set to the tape protection mode when it has been left standing in the STOP or search STILL (JOG, VAR or SHTL) mode. (Units: s = second, min = minute)	<input type="radio"/>	<input type="radio"/>
401	SRC PROTECT	<u>0000</u> 0001	STEP HALF	This selects the tape protection mode operation when the unit has been left standing in the STILL mode. 0: Step (or step FWD in STILL mode). 1: Half loading <Note> When step FWD has been set, the unit is automatically transferred to the half loading mode when it has been left standing for a total of 30 minutes in the STILL mode.	<input type="radio"/>	<input type="radio"/>
402	DRUM STDBY	0000 <u>0001</u>	OFF <u>ON</u>	This selects the drum operation in the standby OFF mode. 0: The drum is stopped. 1: The drum is rotated.	<input type="radio"/>	<input type="radio"/>
403	STOP PROTECT	0000 <u>0001</u>	STEP HALF	This selects the tape protection mode operation when the unit has been left standing in the STOP mode. 0: Step FWD 1: Half loading <Note> When step FWD has been set, the unit is automatically transferred to the half loading mode when it has been left standing for a total of 30 minutes in the STOP mode.	<input type="radio"/>	<input type="radio"/>

The underlining indicates the factory setting.

Setup menus

TIME CODE menu

Item		Setting		Description of setting	V T R 1	V T R 2
No.	Superimposed display	No.	Superimposed display			
500	VITC BLANK	0000 <u>0001</u>	BLANK THRU	This selects whether to output the VITC signal at the positions which have been set by setup menu item No.501 (VITC POS-1) and No.502 (VITC POS-2). 0: The VITC signal is not output. 1: The VITC signal is output.	<input type="radio"/>	<input type="radio"/>
501	VITC POS-1 (525i mode)	0000 : <u>0006</u> : 0010	10L : <u>16L</u> : 20L	This selects the position where the VITC signal is inserted. <Note> The same line as the one selected by setup menu item No.502 (VITC POS-2) cannot be set.	<input type="radio"/>	<input type="radio"/>
	(625i mode)	0000 : <u>0004</u> : 0015	7L : <u>11L</u> : 22L			
502	VITC POS-2 (525i mode)	0000 : <u>0008</u> : 0010	10L : <u>18L</u> : 20L	This selects the position where the VITC signal is inserted. <Note> The same line as the one selected by setup menu item No.501 (VITC POS-1) cannot be set.	<input type="radio"/>	<input type="radio"/>
	(625i mode)	0000 : <u>0006</u> : 0015	7L : <u>13L</u> : 22L			
503	TCG REGEN	<u>0000</u> 0001 0002	<u>TC&UB</u> TC UB	This selects the signal to be regenerated when the TCG (time code generator) is in the regeneration mode. 0: Both the time code and user's bit are regenerated. 1: Only the time code is regenerated. 2: Only the user's bit is regenerated.	<input type="radio"/>	<input type="radio"/>
504	REGEN MODE	<u>0000</u> 0001 0002 0003	<u>AS&IN</u> ASSEM INSRT SW	This selects when the time code is to be regenerated during automatic editing (assemble editing or insert editing). 0: The time code is regenerated in assemble editing or insert editing. 1: The time code is regenerated in assemble editing. 2: The time code is regenerated in insert editing. 3: The time code regeneration accords with the REGEN/PRESET switch position.		<input type="radio"/>

The underlining indicates the factory setting.

Setup menus

TIME CODE menu

Item		Setting		Description of setting	V T R 1	V T R 2
No.	Superimposed display	No.	Superimposed display			
506	BINARY GP	<u>0000</u> 0001 0002 0003 0004 0005 0006 0007	<u>000</u> 001 010 011 100 101 110 111	This selects the usage status of the user's bit in the time code generated by the TCG. 0: Not specified (character set is not specified). 1: ISO characters (8-bit character set complying with ISO646, ISO2022) 2: Unassigned 1 (not defined) 3: Unassigned 2 (not defined) 4: Unassigned 3 (not defined) 5: Page/line 6: Unassigned 4 (not defined) 7: Unassigned 5 (not defined)	<input type="radio"/>	<input type="radio"/>
507	PHASE CORR	<u>0000</u> 0001	<u>OFF</u> ON	This selects whether the phase correction for the LTC generated by the TCG is to be controlled. 0: Phase correction is not controlled. 1: Phase correction is controlled.	<input type="radio"/>	<input type="radio"/>
508	TCG CF FLAG	<u>0000</u> 0001	<u>OFF</u> ON	This selects the color framing flag into the TCG. 0: The color framing flag is set to OFF. 1: The color framing flag is set to ON.	<input type="radio"/>	<input type="radio"/>
509	DF MODE	<u>0000</u> 0001	<u>DF</u> NDF	This selects the CTL and TCG drop frame mode. 0: For operation in the drop frame mode. 1: For operation in the non-drop frame mode. <Note> In the 625i mode, this setup menu item does not appear.	<input type="radio"/>	<input type="radio"/>
511	VITC OUT	<u>0000</u> 0001	<u>SBC</u> VAUX	This selects the method used to output the VITC which is superimposed onto the output video signal. 0: During recording: The input time code set by setup menu item No.570 (REGEN SEL) or the TC generator switch is output as the VITC. During playback: The time code recorded in the SBC area is output as VITC. 1: During recording: The time code detected from among the input video signals is output as VITC. During playback: The time code recorded in the VAUX area is output as VITC. <Note> The time code detected from among the input video signals is automatically output as VAUX when pictures are recorded.	<input type="radio"/>	<input type="radio"/>
570	REGEN SEL	<u>0000</u> 0001 0002 0003	<u>I-REG</u> E-VITC E-LTC VTR1TC	This selects whether the internal TCG or external time code is to be used when the REGEN/PRESET switch has been set to the REGEN position. 0: The internal TC is used in the regeneration mode. 1: The input video signal VITC is used in the regeneration mode. 2: The LTC in the TC input is used in the regeneration mode. 3: The sub-code TC is used in the regeneration mode when the OPERATION MODE switch is set to INT. <Note> The VTR1 TC can be set only on the VTR2 side.	<input type="radio"/>	<input type="radio"/>

The underlining indicates the factory setting.

Setup menus

TIME CODE menu

Item		Setting		Description of setting	V T R 1	V T R 2
No.	Superimposed display	No.	Superimposed display			
571	TC JUMP	<u>0000</u> 0001 0002 0003	<u>OFF</u> VTR1 VTR2 ALL	This selects the setting for TC jumping. 0: No TC jumping. 1: TC jumping on the VTR1 side only. 2: TC jumping on the VTR2 side only. 3: TC jumping on both the VTR1 and VTR2 sides. <Note> During TC jumping, the tape is cued up to the IN point and then, using the CTL value of the IN point as a reference, the tape is prerolled or run up. When edit recording mode is initiated after the IN point has been passed through, the unit switches to the TC reference.		○
572	V-MON/TC OUT	<u>0000</u> 0001 0002	<u>V-MON</u> TCOUT1 TCOUT2	This selects whether the video monitor output connector is to be used as the TC output connector. When it is to be used as the TC output connector, whether the phase of the TC signal which is output in the E-E mode is to be aligned with the video output or input TC is also selected. 0: The connector is used as the video monitor output connector. 1: The connector is used as the TC output connector, and in the E-E mode the output TC signal phase is aligned with the input TC signals. 2: The connector is used as the TC output connector, and in the E-E mode the output TC signal phase is aligned with the output video signals. <Note> The TCOUT2 can be set only on the VTR2 side.	○	○
573	TC PRESET			This selects the time code value of the internal TCG. 00:00:00:00 to 23:59:59:29 (525i mode) 00:00:00:00 to 23:59:59:24 (625i mode)	○	○
574	UB PRESET			This selects the user's bit value of the internal TCG. 00:00:00:00 to FF:FF:FF:FF	○	○

The underlining indicates the factory setting.

Setup menus

VIDEO menu

Item		Setting		Description of setting	V T R 1	V T R 2
No.	Superimposed display	No.	Superimposed display			
601	OUT VSYNC	<u>0000</u> 0001	N-VF VF	This selects whether to float the video signal phase at the V sync position of the video signals in order to align it with the input in the E-E mode or during recording or editing. 0: The phase is floated. 1: The phase is not floated.	<input type="radio"/>	<input type="radio"/>
602	V-MUTE SEL	<u>0000</u> 0001	N-MUTE LOW_RF	This selects whether to mute the video output signals when a blank has been detected on the tape during playback. 0: No muting (screen is frozen). 1: Muting (screen is turned black).	<input type="radio"/>	<input type="radio"/>
603	CC (F1) BLANK	<u>0000</u> 0001	BLANK THRU	This selects ON or OFF for the closed caption signal of the first field. 0: Signal is forcibly blanked. 1: Signal is not blanked. <Note> In the 625i mode, this setup menu item does not appear.	<input type="radio"/>	<input type="radio"/>
604	CC (F2) BLANK	<u>0000</u> 0001	BLANK THRU	This selects ON or OFF for the closed caption signal of the second field. 0: Signal is forcibly blanked. 1: Signal is not blanked. <Note> In the 625i mode, this setup menu item does not appear.	<input type="radio"/>	<input type="radio"/>
605	FREEZE SEL	<u>0000</u> 0001	FIELD FRAME	This selects the freeze status of the still pictures. 0: Field freeze. 1: Frame freeze. <Note> When frame freeze is set, the tape is played back in the slow mode in 1-frame increments even during slow playback.	<input type="radio"/>	<input type="radio"/>
609	EDH	<u>0000</u> 0001	OFF ON	This selects whether to insert the error information into the serial output. 0: The error information is not inserted. 1: The error information is inserted.	<input type="radio"/>	<input type="radio"/>
610	Pb/Pr IN LV	<u>0000</u> 0001	MII B-CAM	This selects the analog component input level. 0: M II level. 1: B-cam level <Note> In the 625i mode, this setup menu item does not appear.	<input type="radio"/>	<input type="radio"/>
611	INPUT C KILL	<u>0000</u> 0001	B/W AUTO	This selects the color killer processing for the video input signals. 0: The video input signals are forcibly subjected to monochrome processing. 1: The video input signals are automatically processed.	<input type="radio"/>	<input type="radio"/>

The underlining indicates the factory setting.

Setup menus

VIDEO menu

Item		Setting		Description of setting	V T R 1	V T R 2
No.	Superimposed display	No.	Superimposed display			
614	Pb/Pr OUT LV	0000 <u>0001</u>	MII B-CAM	This selects the analog component output level. 0: M II level. 1: B-cam level <Note> In the 625i mode, this setup menu item does not appear.	<input type="radio"/>	<input type="radio"/>
618	INTERPOLATE	0000 <u>0001</u>	OFF AUTO	During slow playback, the interpolation function for the vertical signals is automatically activated to reduce the vertical movement of the playback pictures. However, this function can be forcibly turned off using this setting. 0: The function is forcibly turned off. 1: The function is automatically turned on during slow playback.	<input type="radio"/>	
622	SETUP 25			For setting 7.5% setup processing to be performed on input and output signals in the 25 Mbps mode. (The 00, 01, 02 and 03 settings on the submenu can be displayed by pressing the STILL button. To return to this menu from the submenu, press the STILL button again.) <Note> In the 625i mode, this setup menu item does not appear.	<input type="radio"/>	<input type="radio"/>
	00 CMPST IN	0000 <u>0001</u>	THRU CUT	This selects the 7.5% setup processing for the input composite signal. 0: The signal is recorded in its original form. 1: The signal is recorded with the 7.5% setup removed.	<input type="radio"/>	<input type="radio"/>
	01 CMPST OUT	0000 <u>0001</u>	THRU ADD	This selects the 7.5% setup processing for the output composite signal. 0: The signal is output in its original form. 1: The signal is output with the 7.5% setup added. <Note> Bear in mind the setting selected for submenu item No.03 (CMPNT OUT).	<input type="radio"/>	<input type="radio"/>
	02 CMPNT IN	0000 <u>0001</u>	THRU CUT	This selects the 7.5% setup processing for the input component signal. 0: The signal is recorded in its original form. 1: The signal is recorded with the 7.5% setup removed.	<input type="radio"/>	<input type="radio"/>
	03 CMPNT OUT	0000 <u>0001</u>	THRU CUT	This selects the 7.5% setup processing for the output composite, component and serial digital signal. 0: The signal is output in its original form. 1: The signal is output with the 7.5% setup removed.	<input type="radio"/>	<input type="radio"/>

The underlining indicates the factory setting.

Setup menus

VIDEO menu

Item		Setting		Description of setting	V T R 1	V T R 2	
No.	Superimposed display	No.	Superimposed display				
623	SETUP 50			For setting 7.5% setup processing to be performed on input and output signals in the 50 Mbps mode. (The 00, 01, 02 and 03 settings on the submenu can be displayed by pressing the STILL button. To return to this menu from the submenu, press the STILL button again.) <Note> In the 625i mode, this setup menu item does not appear.	<input type="radio"/>	<input type="radio"/>	
	00	CMPST IN	<u>0000</u> 0001	THRU CUT	This selects the 7.5% setup processing for the input composite signal. 0: The signal is recorded in its original form. 1: The signal is recorded with the 7.5% setup removed.	<input type="radio"/>	<input type="radio"/>
	01	CMPST OUT	<u>0000</u> 0001	THRU ADD	This selects the 7.5% setup processing for the output composite signal. 0: The signal is output in its original form. 1: The signal is output with the 7.5% setup added. <Note> Bear in mind the setting selected for submenu item No.03 (CMPNT OUT).	<input type="radio"/>	<input type="radio"/>
	02	CMPNT IN	<u>0000</u> 0001	THRU CUT	This selects the 7.5% setup processing for the input component signal. 0: The signal is recorded in its original form. 1: The signal is recorded with the 7.5% setup removed.	<input type="radio"/>	<input type="radio"/>
	03	CMPNT OUT	<u>0000</u> 0001	THRU CUT	This selects the 7.5% setup processing for the output composite, component and serial digital signal. 0: The signal is output in its original form. 1: The signal is output with the 7.5% setup removed.	<input type="radio"/>	<input type="radio"/>
641	WIDE IN SEL	<u>0000</u>	AUTO	This selects the wide-screen information which is to be written on the tape during recording. 0: The setting for the tape in VTR2 complies with the wide-screen information of VTR1 with internal connections (INT mode) if ON has been selected as the setup menu item No.643 (INT WIDE I) setting. Alternatively, if OFF has been selected, the information is forcibly recorded on the tape as the normal mode. It is also forcibly recorded on the tape as the normal mode when the OPERATION MODE switch has been set to EXT or SEPARATE. In terms of the tape in VTR1, the information is forcibly recorded as the normal mode.	<input type="radio"/>	<input type="radio"/>	
		0001	WIDE	1: The information is recorded on the tape forcibly as the wide mode.			
		0002	NORMAL	2: The information is recorded on the tape forcibly as the normal mode. <Notes> ● The wide-screen information on the SDI signal cannot be detected. ● In the wide-screen mode, "W" lights on the display tube.			
643	INT WIDE I	<u>0000</u> 0001	OFF ON	This selects how the VTR1 wide-screen information is to be used for detecting the VTR2 wide-screen information while AUTO has been selected as the setup menu item No.641 setting when the internal connections (INT mode) apply. 0: The information is not handled as wide-screen information. 1: The information is handled as wide-screen information.		<input type="radio"/>	

The underlining indicates the factory setting.

Setup menus

VIDEO menu

Item		Setting		Description of setting	V T R 1	V T R 2
No.	Superimposed display	No.	Superimposed display			
670	V IN SEL	<u>0000</u> 0001	<u>CMPST</u> CMPNT	This selects the video input. 0: Analog composite input 1: Analog component input <Note> Analog video signals cannot be input in the 625i mode.	<input type="radio"/>	<input type="radio"/>
671	V OUT SEL	<u>0000</u> 0001	<u>CMPST</u> CMPNT	This selects the video output. 0: Analog composite output 1: Analog component output	<input type="radio"/>	<input type="radio"/>

The underlining indicates the factory setting.

AUDIO menu

Item		Setting		Description of setting	V T R 1	V T R 2
No.	Superimposed display	No.	Superimposed display			
701	CH1 IN LV	0000 <u>0001</u> 0002 0003	4dB <u>0dB</u> -3dB -20dB	This selects the audio input (CH1) reference level.		<input type="radio"/>
702	CH2 IN LV	0000 <u>0001</u> 0002 0003 0004	4dB <u>0dB</u> -3dB -20dB -60dB	This selects the audio input (CH2) reference level.		<input type="radio"/>
703	CH3 IN LV	0000 <u>0001</u> 0002 0003	4dB <u>0dB</u> -3dB -20dB	This selects the audio input (CH3) reference level.		<input type="radio"/>
704	CH4 IN LV	0000 <u>0001</u> 0002 0003	4dB <u>0dB</u> -3dB -20dB	This selects the audio input (CH4) reference level.		<input type="radio"/>
706	CH1 OUT LV	0000 <u>0001</u> 0002 0003	4dB <u>0dB</u> -3dB -20dB	This selects the audio output (CH1) reference level.		<input type="radio"/>
707	CH2 OUT LV	0000 <u>0001</u> 0002 0003	4dB <u>0dB</u> -3dB -20dB	This selects the audio output (CH2) reference level.		<input type="radio"/>
708	CH3 OUT LV	0000 <u>0001</u> 0002 0003	4dB <u>0dB</u> -3dB -20dB	This selects the audio output (CH3) reference level.		<input type="radio"/>
709	CH4 OUT LV	0000 <u>0001</u> 0002 0003	4dB <u>0dB</u> -3dB -20dB	This selects the audio output (CH4) reference level.		<input type="radio"/>

The underlining indicates the factory setting.

Setup menus

AUDIO menu

Item		Setting		Description of setting	V T R 1	V T R 2
No.	Superimposed display	No.	Superimposed display			
714	EMPHASIS	<u>0000</u> 0001	OFF ON	This selects emphasis for the audio signals.	<input type="radio"/>	<input type="radio"/>
726	REC CUE	0000 <u>0001</u> 0002 0003 0004 0005	CH1 CH2 <u>CH1+2</u> CH3 CH4 CH3+4	This selects the input signals to be recorded on the cue track. 0: Audio CH1 input signals 1: Audio CH2 input signals 2: Audio CH1 and CH2 mixed signals 3: Audio CH3 input signals 4: Audio CH4 input signals 5: Audio CH3 and CH4 mixed signals	<input type="radio"/>	<input type="radio"/>
727	PB FADE	<u>0000</u> 0001 0002	AUTO CUT FADE	This selects the audio edit point (IN and OUT) processing during playback. 0: The processing complies with the status set for recording. 1: Cut processing is forcibly initiated. 2: Fade processing is forcibly initiated.	<input type="radio"/>	<input type="radio"/>
728	EMBEDDED AUD	0000 <u>0001</u>	OFF ON	This selects whether to embed the audio data in the serial output. 0: The audio data is not embedded. 1: The audio data is embedded.	<input type="radio"/>	<input type="radio"/>
731	CUE OUT SEL	<u>0000</u> 0001	OFF ON	This selects whether the cue audio signal is to be output to the main system output in the search mode. 0: The cue audio signal is not output. 1: The cue audio signal is output.	<input type="radio"/>	<input type="radio"/>
732	CUE SLOW	<u>0000</u> 0001	STEP LINEAR	This selects the tape travel mode (cue track playback mode) during slow playback. 0: The output pictures are given priority, and step feed is performed. 1: Cue track playback is given priority, and the tape travels in the linear mode. <Notes> When "1: LINEAR" has been set: ● Set the TC/CTL switch to TC. The CTL counter may not operate properly. ● The picture may not appear as clearly as in the step mode.	<input type="radio"/>	<input type="radio"/>

The underlining indicates the factory setting.

Setup menus

AUDIO menu

Item		Setting		Description of setting	V T R 1	V T R 2
No.	Superimposed display	No.	Superimposed display			
770	CUE INSERT	<u>0000</u>	<u>OFF</u>	This selects whether to record signals onto the cue track in the audio insert mode 0: No signals are recorded on the cue track, and the already recorded signals are left on the track. 1: Signals are recorded on the cue track.		○
		0001	ON			
771	AUDIO SLOW	<u>0000</u>	<u>PCM</u>	This selects the audio output mode during slow playback. 0: PCM mode PCM sound is output at speeds from $-0.43\times$ to $+1\times$, and the cue sound is output at all other speeds. 1: CUE mode PCM sound is output at the FWD $1\times$ speed, and the cue sound is output at all other speeds. 2: ALL CUE mode Cue sound is output at all speeds including the FWD $1\times$ speed.		
		0001	CUE		○	○
		0002	A-CUE			
772	AUTO MONI	<u>0000</u>	<u>V1+V2</u>	This selects the signal which is to be output to the speakers or headphones. 0: The signal complies with the AUDIO MONITOR SELECT switch setting. 1: The signals of the VTR selected by the VTR1/VTR2 button are output. In the VTR1/VTR2 simultaneous operation mode, the VTR1 signals are output to the left channel and the VTR2 signals are output to the right channel. <Notes> ● The setting is fixed at V1+V2 when the OPERATION MODE switch is set to SEPARATE. ● The setting is fixed at V1+V2 when the CONTROL switch is set to REMOTE or EXT VTR.		
		0001	AUTO			○
773	PB AUDIO SEL	<u>0000</u>	<u>TR1/2</u>	This selects the playback tracks when the ANALOG AUDIO OUT switch is set to "V1•V2." (This setting takes effect in the 50 Mbps mode.) 0: The sound recorded on tracks 1 and 2 is played back. 1: The sound recorded on tracks 3 and 4 is played back.		
		0001	TR3/4		○	○

The underlining indicates the factory setting.

Setup menus

LCD menu

Item		Setting		Description of setting	V T R 1	V T R 2
No.	Superimposed display	No.	Superimposed display			
B00	LCD MODE	<u>0000</u>	<u>AUTO</u>	This selects the LCD monitor screen displays. 0: During playback, the displays comply with the information on the recorded tape. During E-E (recording, etc.), they comply with the mode which has been set by setup menu items No.641 and No.643. 1: The displays are forcibly set to the wide-screen (16:9) mode. 2: The displays are forcibly set to the normal (4:3) mode.	○	○
		0001	WIDE			
		0002	NORMAL			
B01	LCD HUE	0000	-30	This is used to adjust the LCD monitor hue. <Note> In the 625i mode, this setup menu item does not appear.	○	○
		⋮	⋮			
		<u>0030</u>	<u>0</u>			
		⋮	⋮			
		0060	30			
B02	LCD COLOR	0000	-30	This is used to adjust the LCD monitor color.	○	○
		⋮	⋮			
		<u>0030</u>	<u>0</u>			
		⋮	⋮			
		0060	30			

The underlining indicates the factory setting.

Operation methods

Recording external input signals using VTR1

Analog component signals and analog composite signals can be input and recorded using VTR1. Recording with the 625i system is not possible.

- 1** Set the OPERATION MODE mode switch (page 13) to SEPARATE.
- 2** Select whether the signals are to be recorded in the 50 Mbps mode or 25 Mbps mode using setup menu item No.012 (SYS FORMAT).
- 3** Check that “525” has been selected as the setup menu item No.070 (TV SYSTEM) setting.
<Note>
When the “525” or “625” setting has been changed, turn off the power and then turn it back on again.
- 4** **Selecting the input video signals**
Select whether to input analog component signals or analog composite signals using setup menu item No.670 (V IN SEL).
- 5** **Selecting the input audio signals**
Set the ANALOG AUDIO IN switch and connect the signals to the rear panel connectors as described on page 26.
- 6** Select VTR1 using the VTR1 button, and press the PLAY button while holding down the REC button.
- 7** To stop recording, press the STOP ([SHIFT] + [PLAY]) button while VTR1 is selected. Recording can also be stopped by pressing the FF button and REW button at the same time.

Recording external input signals using VTR2

Analog component signals, analog composite signals and serial component digital signals can be input and recorded using VTR2.

With the 625i system, only serial component digital signals can be recorded.

- 1** Set the OPERATION MODE mode switch (page 13) to SEPARATE.
- 2** Select whether the signals are to be recorded in the 50 Mbps mode or 25 Mbps mode using setup menu item No.012 (SYS FORMAT).
- 3** Check that “525” has been selected as the setup menu item No.070 (TV SYSTEM) setting when analog signals are to be input. When SDI signals are to be input, select “525” or “625” depending on the input signals.
<Notes>
 - When the “525” or “625” setting has been changed, turn off the power and then turn it back on again.
 - VTR1 and VTR2 cannot be set to different TV systems.
- 4** **Selecting the input video signals**
Select whether to input analog component signals or analog composite signals using setup menu item No.670 (V IN SEL).
- 5** **Selecting the input audio signals**
Set the ANALOG AUDIO IN switch and connect the signals to the rear panel connectors as described on page 26.
- 6** Select VTR2 using the VTR2 button, and press the PLAY button while holding down the REC button.
- 7** To stop recording, press the ALL STOP button. Recording can also be stopped by pressing the STOP ([SHIFT] + [PLAY]) button while VTR2 is selected or by pressing the FF button and REW button at the same time.

Operation methods

Playback using VTR1, VTR2

Analog component signals, analog composite signals and serial component digital signals can be played back and output using VTR1 and VTR2.

- 1** Set the OPERATION MODE mode switch (page 13) to SEPARATE.
- 2** Select AUTO as the setup menu item No.013 (PB FORMAT) setting. If MANU has been selected, select the setup menu item No.012 (SYS FORMAT) setting which matches the format of the tape to be played back.
- 3** Select "525" or "625" as the setup menu item No.070 (TV SYSTEM) setting to match the tape to be played back.
<Notes>
 - When the "525" or "625" setting has been changed, turn off the power and then turn it back on again.
 - VTR1 and VTR2 cannot be set to different TV systems.
- 4** When analog video signals are to be output, select whether analog component signals or analog composite signals are to be output using setup menu item No.670 (V IN SEL).
- 5** When serial component digital signals are to be output, select the VTR for SDI output using setup menu item No.174 (SDI OUT). (Either VTR1 or VTR2 is selected as the VTR since there is only one SDI output system.)
- 6** Set the ANALOG AUDIO OUT switch and connect the signals to the rear panel connectors as described on page 27.
- 7** If necessary, input the reference video signal to the REF VIDEO IN connector, and use the encoder control on the side panel to perform the encoder and/or system adjustments. (See page 23)
- 8** Select the VTR using the VTR1 or VTR2 button, and press the PLAY button.
- 9** To stop playback, select the VTR whose playback is to be stopped, and press the STOP ([SHIFT] + [PLAY]) button.
Playback can also be stopped by pressing the FF button and REW button at the same time.
VTR2 stops when the ALL STOP button is pressed.

Preparing tapes for editing

Before proceeding to commence editing, the black burst signal, time code and CTL signal must first be recorded on the tape.

The method of preparing the editing tape differs depending on whether assemble editing or insert editing is to be performed.

Preparing tapes for assemble editing

In the case of assemble editing, a run-up period must be provided prior to the first assemble IN point.

The 1ST EDIT function is available as an easy way of preparing the run-up period.

For the second and subsequent times, 1ST EDIT is not needed because the section edited before is used as the run-up period.

1 Set the time code and user's bit values which are to serve as the first assemble editing IN point using setup menu item No.377 (1ST EDIT TC) and No.378 (1ST EDIT UB).

<Note>

Select drop frame or non-drop frame using setup menu item No.509 (DF MODE) before performing these settings.

2 Select the length of the recording period using setup menu item No.376 (1ST EDIT DUR). In the case of assemble editing, select "26s" (26 seconds = run-up period of 23 sec. + overlap of 3 sec.).

3 Return to the normal mode, press the VTR2 button to select VTR, and register the IN point using the MARK IN button.

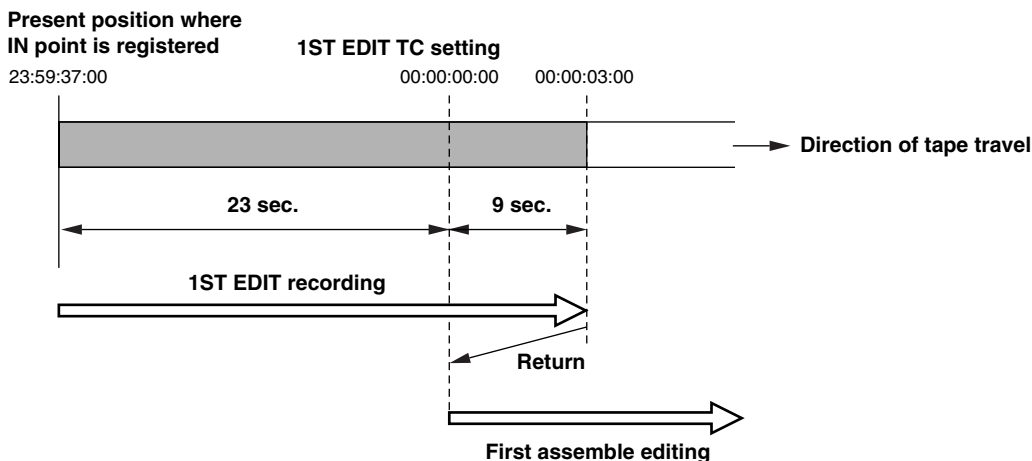
The present position of the VTR2 (recorder) tape is set 23 seconds before the time code value which was set in step **1**.

4 Press the 1ST EDIT (SHIFT + ASMBL) button. Recording of the black burst signal, time code and CTL signal now commences. (The sound is muted.)

Recording is performed for a total of 26 seconds (23 sec. for the run-up period + 3 sec. after the time code value setting), and the tape then returns to the position of the time code value setting where it stops.

This completes the preparations for assemble editing.

Example: When the 1ST EDIT TC is set to 00:00:00:00



Preparing tapes for editing

Recording editing titles (characters and symbols)

Characters and symbols can be superimposed onto the video signals (black burst signals) and recorded for about 7 seconds after the start of 1ST EDIT, but this can be done only in the 525i mode.

Recording the editing titles, editing dates, equipment numbers and other such information makes it easier to do post-editing work and conduct searches at a later date.

1 Align the cursor with setup menu item No.379 (1ST-E TITLE), and press the STILL button to display the character input screen.

2 Press the SHIFT button.
The cursor now flashes at the position where the characters can be input.

3 While holding the SHIFT button down, select a character by pressing the "+" or "-" button.

Characters:

ABCDEFGHIJKLMNOPQRSTUVWXYZ
0123456789,.;?!/~'()+-±* = → ←

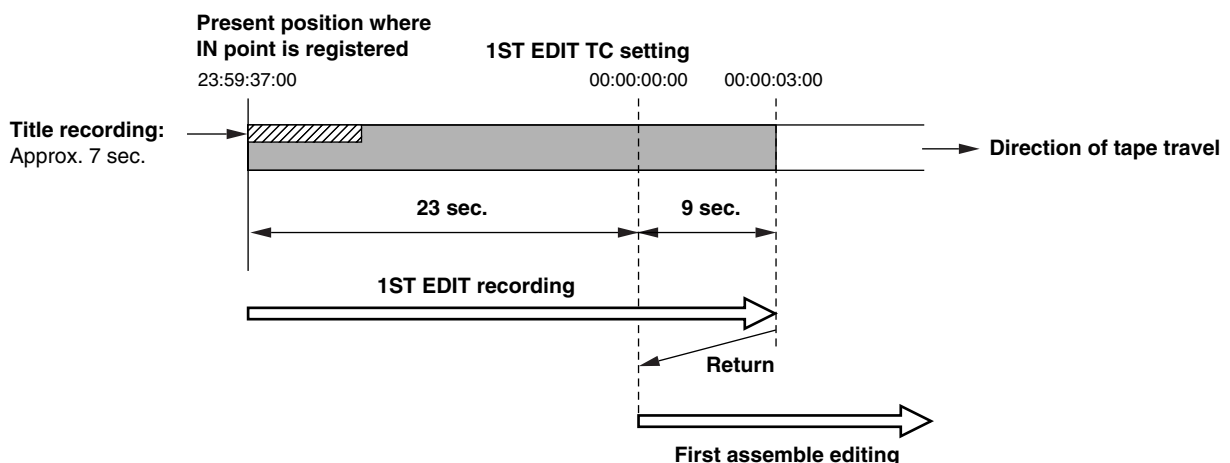
4 While holding the SHIFT button down, move the character input position by pressing the "FF" or "REW" button.

5 Repeat steps **3** and **4** to input more characters.

6 Upon completion of the character input, release the SHIFT button, and press the STILL button to exit the character input screen.

7 Select ON as the setup menu item No.380 (1ST-E DISP) setting.

8 Proceed with 1ST EDIT.



Preparing tapes for editing

Preparing tapes for insert editing

In the case of insert editing, the black burst signal, time code and CTL signal must be recorded for the whole editing period in addition to the run-up period for the assemble editing tape.

Method using first edit (1ST EDIT)

When T-END (tape end) is selected in step **2** for preparing tapes for assemble editing, 1ST EDIT recording continues until the tape end. This means that the black burst signal, time code and CTL signal can be recorded for the whole period.

Method using normal recording

1 Press the VTR2 button to select VTR2, and press the PLAY button while holding down the REC button. VTR2 recording begins.

2 If the preset value has been set in the TC preset mode (R-RUN), recording starts from the set value. (See pages 74 to 76)

<Note>

When color bars or test patterns are required on the tape for insert editing, input the respective signals and set the input selector to the applicable position.

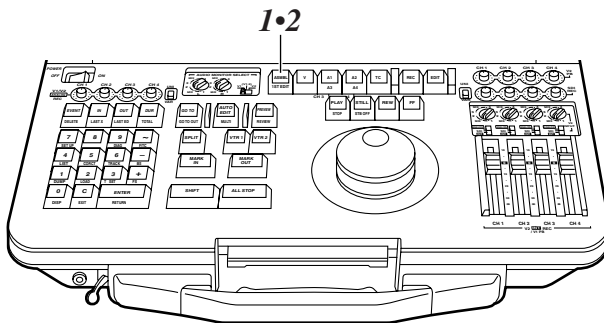
(See page 51)

Cut editing operations

Selecting the editing mode

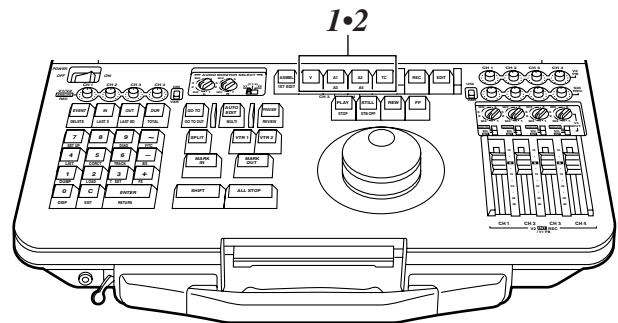
Assemble editing:

- 1 Press the ASMBL button.
In this mode, the video, audio (all channels) and time code are recorded at the same time.
- 2 Check that the ASMBL button LED is lighted.



Insert editing:

- 1 Press all the buttons corresponding to the signals which are to be edited among the V, A1, A2, A3, A4 and/or TC buttons.
- 2 Check that the LEDs of the buttons concerned are lighted.



<Notes>

- To clear the selected mode, press the same button again to turn off the LED of the button concerned.
- Settings can also be performed for A3 and A4 in the 25 Mbps mode but the corresponding signals cannot be edited in this mode.

Cut editing operations

Storing the edit points

There are three main ways to store edit points.

1. Use the search dial to search the editing screen, and set the edit point using the MARK IN or MARK OUT button.

1 Select the VTR whose edit points are to be set using the VTR1 button or VTR2 button.

2 Use the search dial to search the edit point in the shuttle mode or jog mode.

3 Temporarily stop the tape at the edit point, and press the MARK IN button or MARK OUT button. This sets the edit IN point or OUT point.

2. Use the numeric input buttons to input the time codes of the edit points directly.

1 Select the VTR whose edit points are to be set using the VTR1 button or VTR2 button.

2 Press the IN button or the OUT button.

3 Input the desired time code value as a numeric value.
(Press “83209” if this is 8 minutes 32 seconds 09 frames.)

4 The input value is entered when the ENTER button is pressed.

3. Specify and set the length (duration of the editing period).

1 Select the VTR whose edit points are to be set using the VTR1 button or VTR2 button.

2 After setting the edit IN point, press the DUR button.

3 Input the desired editing period length (duration) as a numeric value.
(Press “2607” if this is 26 seconds 07 frames.)

4 The input value is entered when the ENTER button is pressed.

<Notes>

- The set edit points are indicated by the edit point setting display lamps (IN lamp and OUT lamp).
- If three of the four points—the IN point and OUT point for VTR1 and the IN point and OUT point for VTR2—are set, the edit point setting procedure is completed.
The remaining point will be automatically calculated when editing is performed.

Cut editing operations

Preview

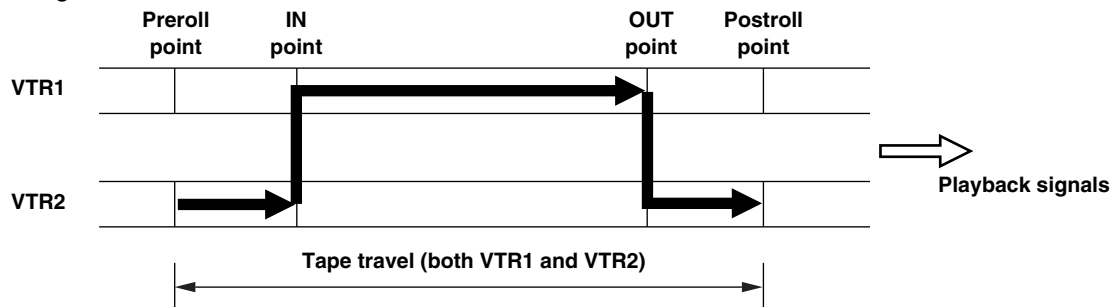
Preview is a rehearsal of the editing before the editing is performed for real.

When the PREVIEW button is pressed, the event indicated by the event number display lamp is previewed.

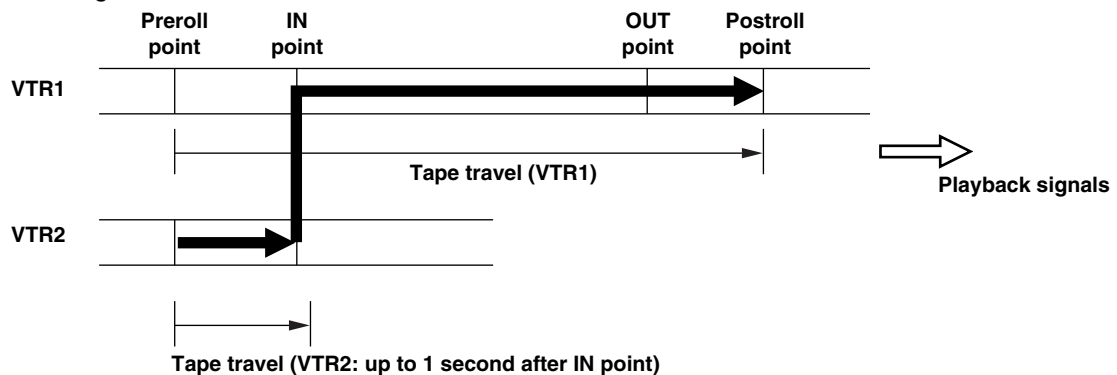
The pictures and sound produced when editing is actually performed will be played back as a simulation on the VTR2 monitor, enabling them to be checked out in advance.

What is played back is the length of tape from the preroll point to the postroll point.

Preview of insert editing



Preview of assemble editing



To repeat the preview from the start at any time during preview:

- Press the PREVIEW button again.

To set the OUT point before the position where it is already set at any time during preview:

- Press the MARK OUT button at the scene where the OUT point is to be set.

To suspend preview and perform automatic editing:

- Press the AUTO EDIT button.

To recall the contents of the previous preview:

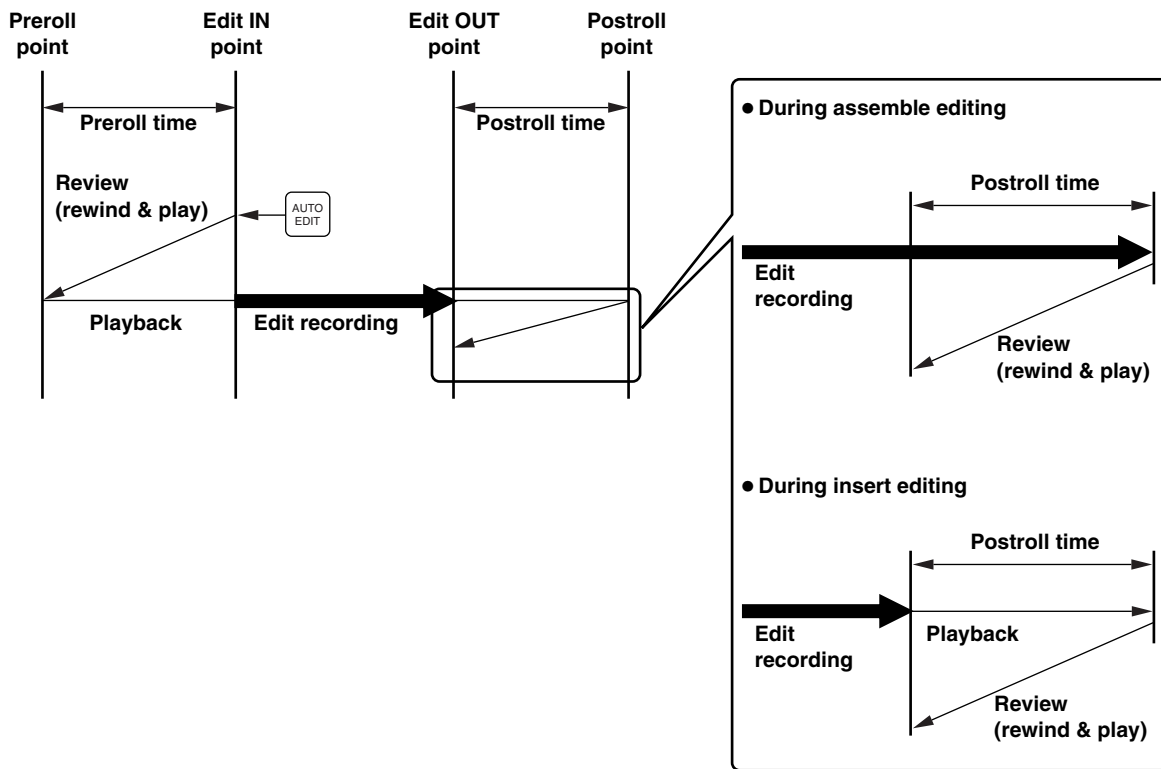
- Press the LAST ED button.

Each time this button is pressed, the contents of the previous preview and current preview are alternately recalled.

Cut editing operations

Executing editing

Press the AUTO EDIT button.

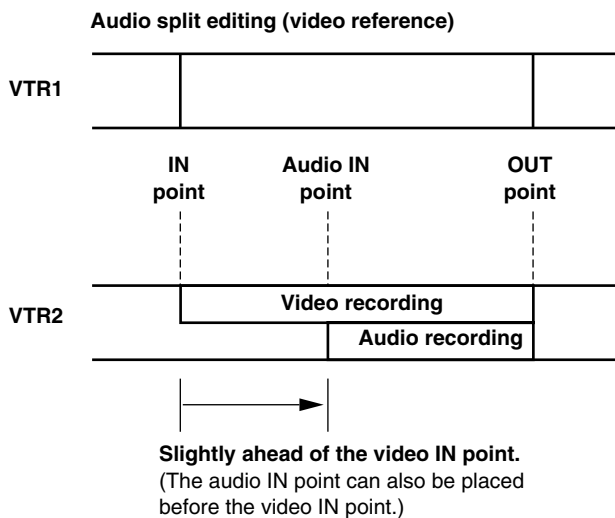


Review

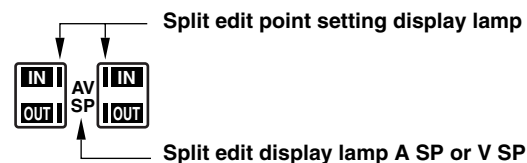
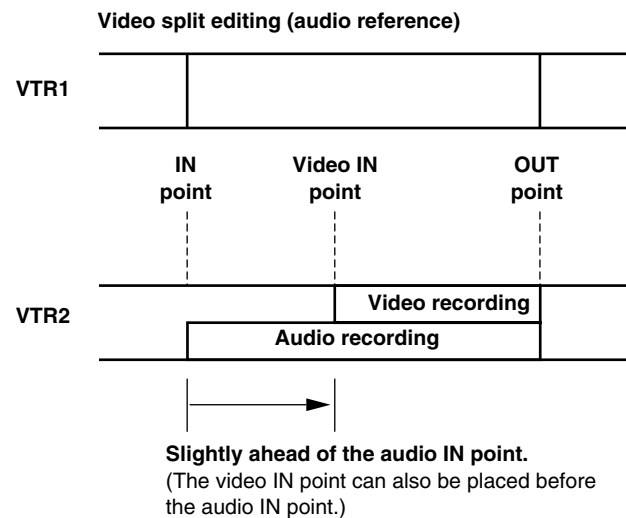
Press the REVIEW ([SHIFT] + [PREVIEW]) button right after executing editing. The executed editing is played back from the preroll point to postroll point.

Split editing operations

With insert editing, an audio IN point can be set slightly ahead of the video IN point. (Audio split editing)



Similarly, a video IN point can be set slightly ahead of the audio IN point. (Video split editing)



1 For audio split editing (video reference), select “AUDIO” as the setup menu item No.375 (SPLIT EDIT) setting; for video split editing (audio reference), select “VIDEO.”

2 Turn on the video insert (V button).

3 Select the channels into which the audio signals will be inserted using the A1 button, A2 button, A3 ([SHIFT] + [A1]) button and A4 ([SHIFT] + [A2]) button.

4 Set the IN points of VTR1 and VTR2.
With audio split editing, the video IN point is set; with video split editing, the audio IN point is set. The IN lamp of the edit point setting display lamps lights.

<Note>

Steps **5**, **6** and **7** can be skipped by pressing the [SHIFT] + [MARK IN] button after step **4**.

5 Press the SPLIT button to light the LED above the button.

6 Search the split IN point (audio IN point for audio split editing or video IN point for video split editing) in VTR1 or VTR2, and press the MARK IN button to set the point.

The split edit point setting display lamp lights for the VTR for which the split point was set, and the A SP or V SP lamp lights.

7 Press the SPLIT button again.

The LED above the SPLIT button now starts flashing to indicate that the split point has been set.

8 Set the OUT point of VTR1 or VTR2.
(Alternatively, open-ended editing can be performed.)

9 Press the AUTO EDIT button to execute editing.
(Alternatively, preview can be performed.)

<Note>

When the DUR button is pressed while the LED above the SPLIT button is lighted, the split amount is shown on the counter display.

Editing without setting the edit IN point (park & edit)

Editing can be performed without setting the VTR1 and VTR2 IN points.

1 Operate VTR1 and VTR2, and locate the places which will serve as the IN points.

2 Press the PREVIEW button.
The position where the PREVIEW button was pressed is automatically set as the edit IN point, and preview is executed.

When the OUT points have not been set either, press the MARK OUT button during the preview at the place which is to serve as the OUT point.

The position where the MARK OUT button was pressed is automatically set as the edit OUT point.

3 Press the AUTO EDIT button to proceed with editing.

<Note>

To proceed with editing while skipping the preview, press the AUTO EDIT button in step **2** instead of the PREVIEW button, and proceed with editing.

The position where the AUTO EDIT button was pressed is automatically set as the IN point, and editing is executed.

Editing using the edit IN point setting only (open-ended editing)

1 Set the VTR1 and VTR2 IN points.

2 Press the PREVIEW button to proceed with preview.

3 During the preview, press the MARK OUT button at the place which will serve as the OUT point.

<Note>

To proceed with editing while skipping the preview, press the AUTO EDIT button in step **2** instead of the PREVIEW button, and proceed with editing.

Press the AUTO EDIT button or the MARK OUT button at the position where editing is to be ended.

The position where the button was pressed is registered as the OUT point.

Auto tag editing

With this editing function, the registered edit OUT point is automatically set as the edit IN point of the next editing session (next event).

This enables continuous editing from one event to the next without the need to set the IN points.

This function comes in handy for same position editing.

1 Select REC1, REC2 or ALL as the setup menu item No.313 (AUTO ENTRY) setting.
(This selects the VTR whose IN point is to be automatically set.)

2 Proceed with automatic editing.

3 When the editing of one event is completed and it carries over to the next event, the IN point of the VTR selected in step **1** has already been set so that the remaining edit points are set, and the next event is edited.

Still-picture editing/slow-motion editing

- 1 Set the IN point and OUT point of VTR1 (player) at the same position.
After VTR1 has been selected using the VTR1 button, press the MARK IN and MARK OUT buttons together to set the IN point and OUT point at the same position.
- 2 Select VTR2 using the VTR2 button, and set the IN point and OUT point of VTR2 (recorder) respectively.
Even when only the IN point is set, open-ended editing is possible.
- 3 Select VTR1 (player), and turn the search dial to run the tape at the actual desired speed.
In the case of still-picture editing, set the speed to 0× (SHTL 0, STILL).
The slow-motion speeds that can be selected are 0×, 0.03×, 0.1×, 0.2×, 0.3× and 0.43× (forward direction).
- 4 Press the AUTO EDIT button to proceed with editing. The speed of VTR1 (player) when the AUTO EDIT button was pressed is captured, and slow-motion editing is executed.

<Notes>

- Still-picture editing or slow-motion editing is possible when the OPERATION MODE switch has been set to INT.
- In the case of slow-motion editing, no guarantees are given for the editing accuracy.

TC jump function

Normally, editing cannot be performed properly if there is any discontinuity in the time codes during the preroll period.

However, if the TC jump function is used, the preroll period can be edited using CTL as the reference, and the edit memory period after the IN point can be edited using the time code as the reference.

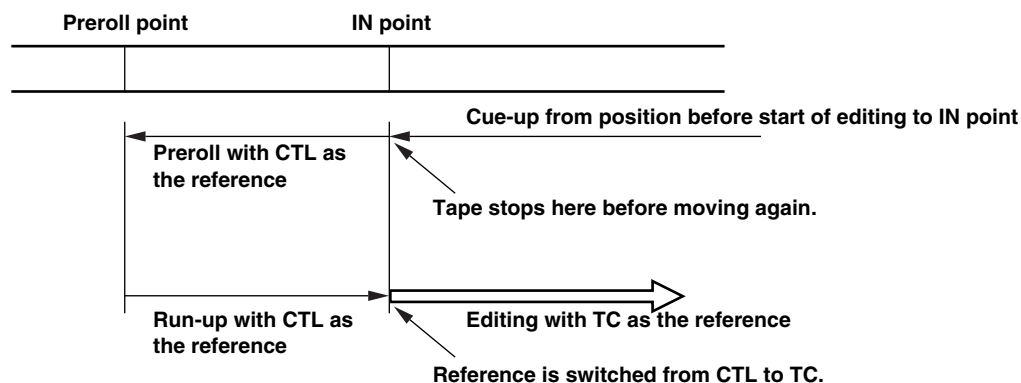
The counter display shows the time code at all times, and even if there is discontinuity in the time codes during the preroll period, editing can be performed as if the time codes were continuous.

- 1 Select VTR1, VTR2 or ALL as the setup menu item No.571 (TC JUMP) setting.
(This selects the VTR or VTRs which will be used for the TC jump function.)

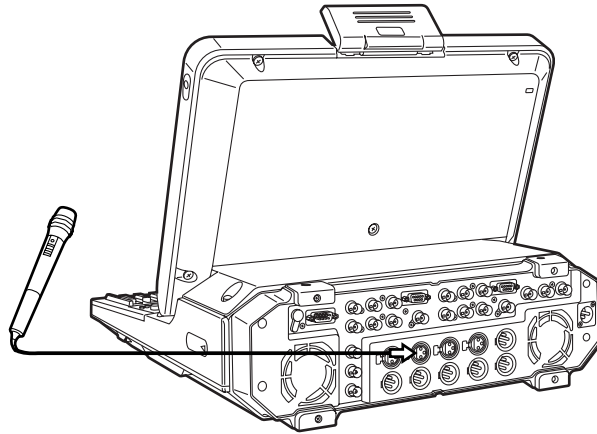
- 2 Proceed with normal editing.

<Note>

When the TC jump function is used, the tape is cued up to the IN point during preview, automatic editing or review, and then preroll is commenced. This happens because preroll and run-up are executed using CTL at the cued-up IN point as the reference. After run-up, when the edit recording mode is established again from the IN point, the editing reference changes from CTL to TC.



Voice-over operations (1)



Take the steps below to add sound (audio dubbing, voice-over) while watching the pictures played back. The sound to be recorded is first stored in the memory and then recorded on the tape by the steps described below so that the recording can be performed at the precise time at the location where the sound is to be added.

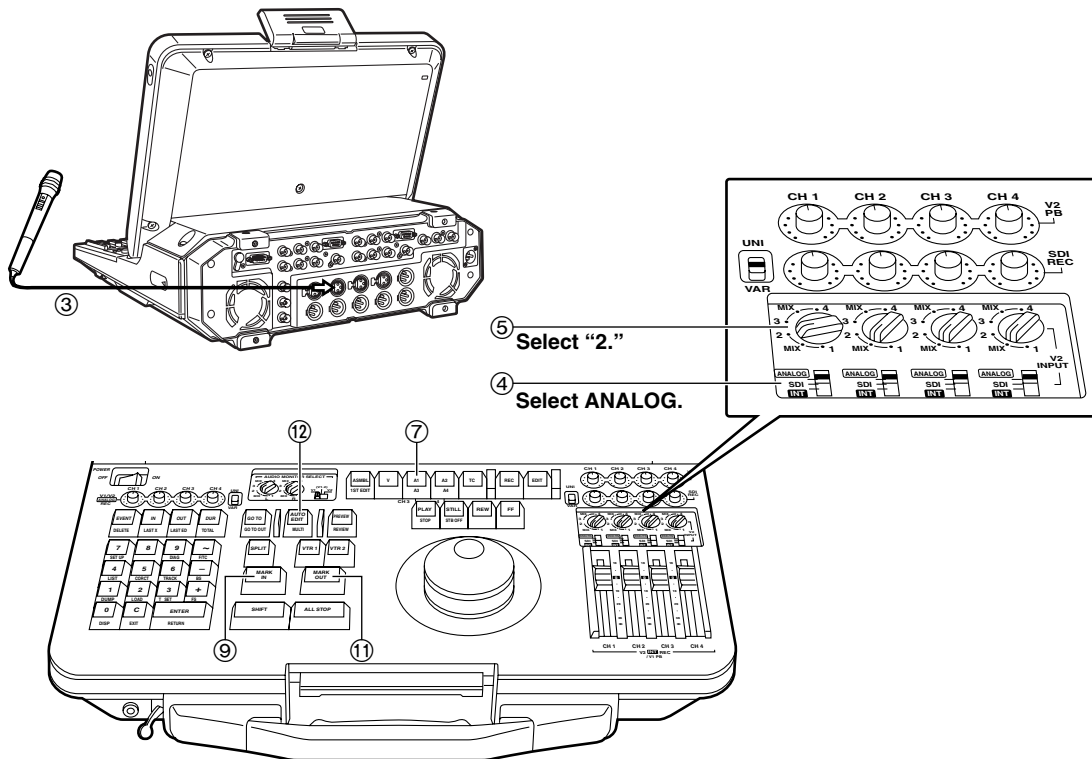
(The unit's internal memory can store about 20 seconds of sound.)

<Note>

Sound can be recorded on CH1 and CH2 channels only.

- 1** Select "INT_V0" as the setup menu item No.317 (AUD MEM MODE) setting.
"m" now appears on the superimposed display of VTR2. (See page 85)
- 2** Select the channel (CH1, CH2) for recording the sound with the setup menu item No.318 (AUD MEM CH) setting.
- 3** Connect the audio signals which are to be recorded.
When connecting a microphone, connect it to CH2 on the VTR2 side (the second AUDIO IN connector from the left as seen from the rear panel).
- 4** Set the VTR2 AUDIO INPUT selector switch (ANALOG/SDI/INT) for the recording channel to the ANALOG position.
- 5** Set the VTR2 AUDIO INPUT selector switch (channel selector) for the recording channel to the audio signal input channel.
- 6** Insert the voice-over cassette tape into VTR2.
- 7** Press the insert button (A1, A2) for the channel on which the sound is to be recorded to turn on its lamp.
- 8** Press the PLAY button to play back the tape in VTR2.
- 9** Check the pictures while watching the VTR2 monitor screen, and press the MARK IN button when the tape reaches the voice-over position (IN point).
- 10** Input the sound to be recorded (from the microphone, etc.) while the unit remains in the PLAY mode.
- 11** Press the MARK OUT button at the OUT point. The sound which was input from the IN point to the OUT point is now stored in the internal memory.
Twenty seconds after this information is written into the internal memory, "o" appears on the superimposed display to indicate that the memory is now full. (See page 85)
- 12** Press the AUTO EDIT button to execute editing. The sound stored in the memory is now recorded on the tape.

Voice-over operations (1)



Example of operation

Dubbing (voice-over) procedure for microphone sound onto CH1

- ① Select "INT_VO" as the setup menu item No.317 (AUD MEM MODE) setting.
"m" now appears on the superimposed display of VTR2. (See page 85)
- ② Select the channel (CH1, CH2, CH3, CH4) for recording the sound with the setup menu item No.318 (AUD MEM CH) setting.
- ③ Connect the microphone to CH2 of VTR2.
Select "-60dB" as the setup menu item No.702 (CH2 IN LV) setting.
- ④ Set the VTR2 AUDIO INPUT selector switch (ANALOG/SDI/INT, on far left) for CH1 (the channel on which the sound is to be recorded) to the ANALOG position.
- ⑤ Set the VTR2 AUDIO INPUT selector switch (channel selector, on far left) of CH1 (the channel on which the sound is to be recorded) to "2" (channel to which microphone has been connected).
- ⑥ Insert the cassette tape into VTR2.
- ⑦ Press the A1 button (insert button for the channel on which the sound is to be recorded) to turn on its lamp.
- ⑧ Press the PLAY button to play back the tape in VTR2.
- ⑨ Check the pictures while watching the VTR2 monitor screen, and press the MARK IN button when the tape reaches the voice-over position (IN point).
- ⑩ Use the microphone to input the sound to be recorded while the unit remains in the PLAY mode.
- ⑪ Press the MARK OUT button at the OUT point.
The sound which was input from the IN point to the OUT point is now stored in the internal memory. Twenty seconds after this information is written into the internal memory, "o" appears on the superimposed display to indicate that the memory is now full. (See page 85)
- ⑫ Press the AUTO EDIT button to execute editing.
The sound stored in the memory is now recorded on the tape.

Voice-over operations (2)

Voice-over can also be performed by taking the steps below.

Steps **1** through **7** are the same as for voice-over operations (1).

- 1** Select "INT_VO" as the setup menu item No.317 (AUD MEM MODE) setting.
"m" now appears on the superimposed display of VTR2. (See page 85)
- 2** Select the channel (CH1, CH2) on which the sound is to be recorded with the setup menu item No.318 (AUD MEM CH) setting.
- 3** Connect the audio signals which are to be recorded.
When connecting a microphone, connect it to CH2 on the VTR2 side (the second AUDIO IN connector from the left as seen from the rear panel).
- 4** Set the VTR2 AUDIO INPUT selector switch (ANALOG/SDI/INT) for the channel on which the sound is to be recorded to the ANALOG position.
- 5** Set the VTR2 AUDIO INPUT selector switch (channel selector) for the channel on which the sound is to be recorded to the audio signal input channel.
- 6** Insert the voice-over cassette tape into VTR2.
- 7** Press the insert buttons (A1, A2) for the channel on which the sound is to be recorded to turn on their lamps.
- 8** Set the IN point and OUT point of the voice-over positions.
- 9** Press the PREVIEW button to execute preview.
- 10** Input the sound to be recorded (from the microphone, etc.) between the IN point and OUT point during preview.
The input sound is now stored in the internal memory.
Twenty seconds after this information is written into the internal memory, "o" appears on the superimposed display to indicate that the memory is now full. (See page 85)
- 11** Press the AUTO EDIT button to execute editing.
The sound stored in the memory is now recorded on the tape.

Audio cross channel editing

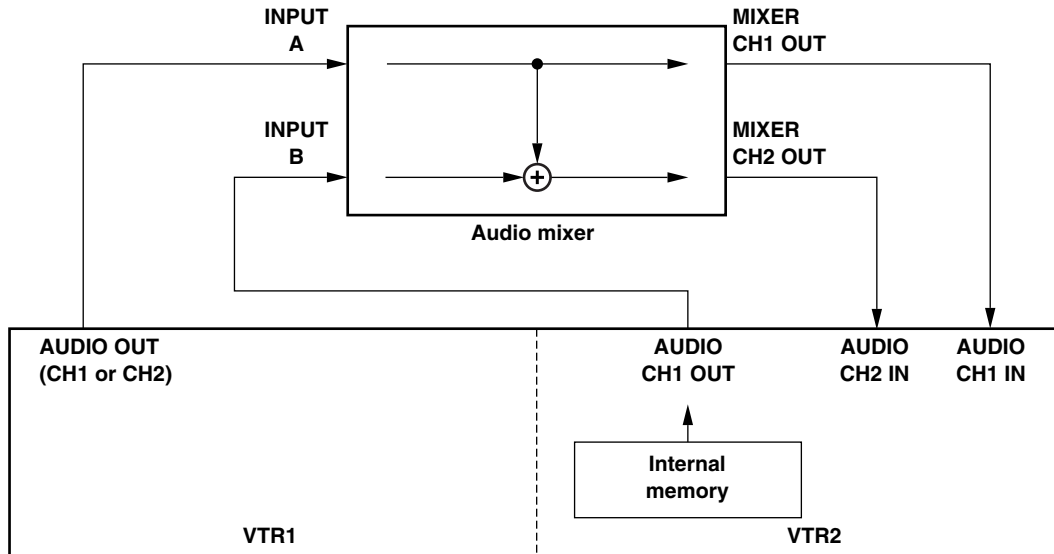
Audio cross channel editing using the internal audio memory can be performed by connecting an external audio mixer.

<Note>

Sound can be recorded on CH1 and CH2 channels only.

■ Example of operation

Recording cross-faded audio signals onto CH2

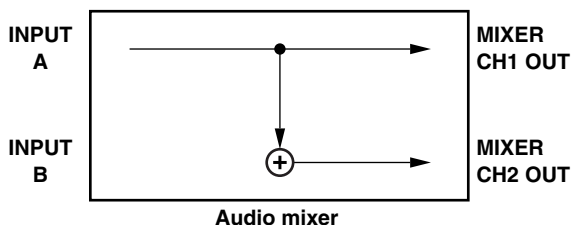
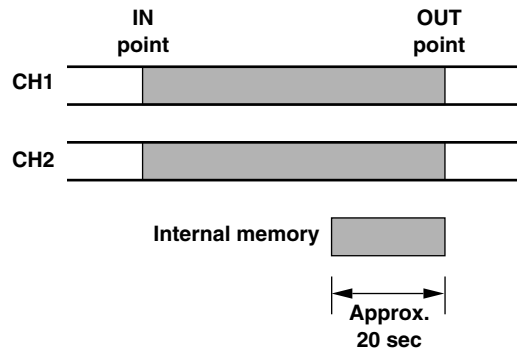


AJ-LT95

Process 1

- 1 Select "INT_X" as the setup menu item No.317 (AUD MEM MODE) setting. "m" now appears on the superimposed display of VTR2. (See page 85)
- 2 Select CH2 as the setup menu item No.318 (AUD MEM CH) setting.
- 3 Press the A1 and A2 buttons to turn on their lamps. (CH1 and CH2 audio insert)
- 4 Set the edit points of VTR1 and VTR2.
- 5 Operate the audio mixer in such a way that the VTR1 output signals (which are supplied to INPUT A of the audio mixer) are output from the MIXER CH1 OUT and MIXER CH2 OUT connectors. (Turn down the input to INPUT B of the audio mixer.)

- 6 Press the AUTO EDIT button to execute editing. The same sound (VTR1 output) is insert recorded onto CH1 and CH2 of VTR2. The same sound that is recorded for about 20 seconds before the OUT point is also stored in the internal memory at this time.



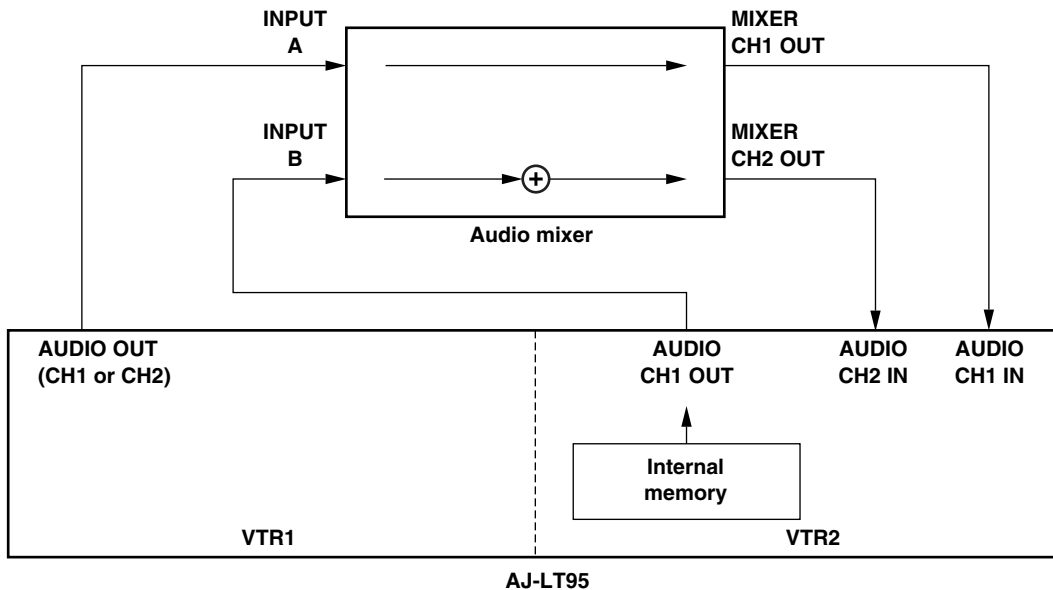
Audio cross channel editing

Process 2

1 Press the A1 button and turn off its lamp. The A2 button LED remains lighted. (CH1 audio insert is released and only CH2 audio insert editing is performed.)

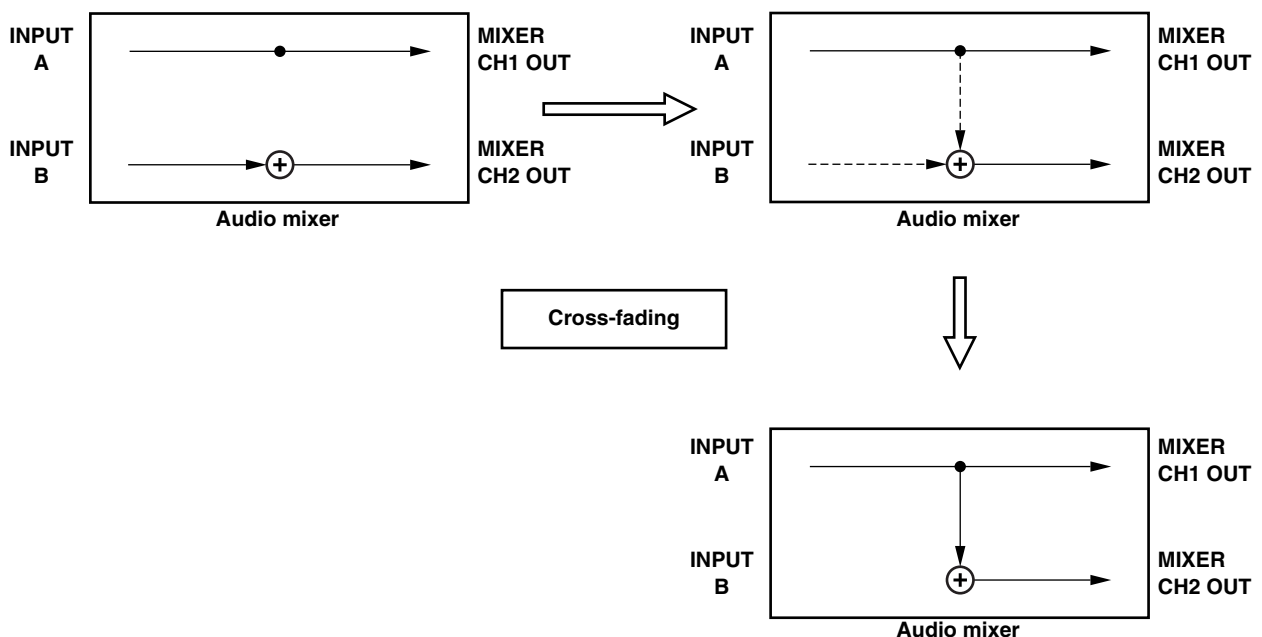
2 Set the edit points of VTR1 and VTR2.

3 Operate the audio mixer in such a way that the VTR1 output signals (which are supplied to INPUT A of the audio mixer) are output from the MIXER CH1 OUT connector and the VTR2 CH1 output signals (input to INPUT B of the audio mixer) are output from the MIXER CH2 OUT connector.



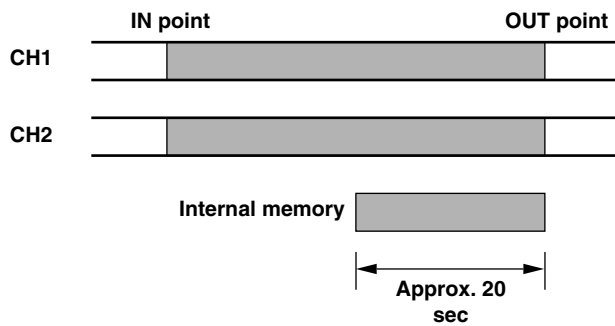
4 Press the AUTO EDIT button to execute editing.

When edit recording is initiated at the IN point, operate the audio mixer to gradually change the MIXER CH2 OUT output from the CH1 output signals of VTR2 (internal memory output, audio mixer INPUT B input) to the output signals of VTR1 (audio mixer INPUT A input). (This operation is called cross-fading.)

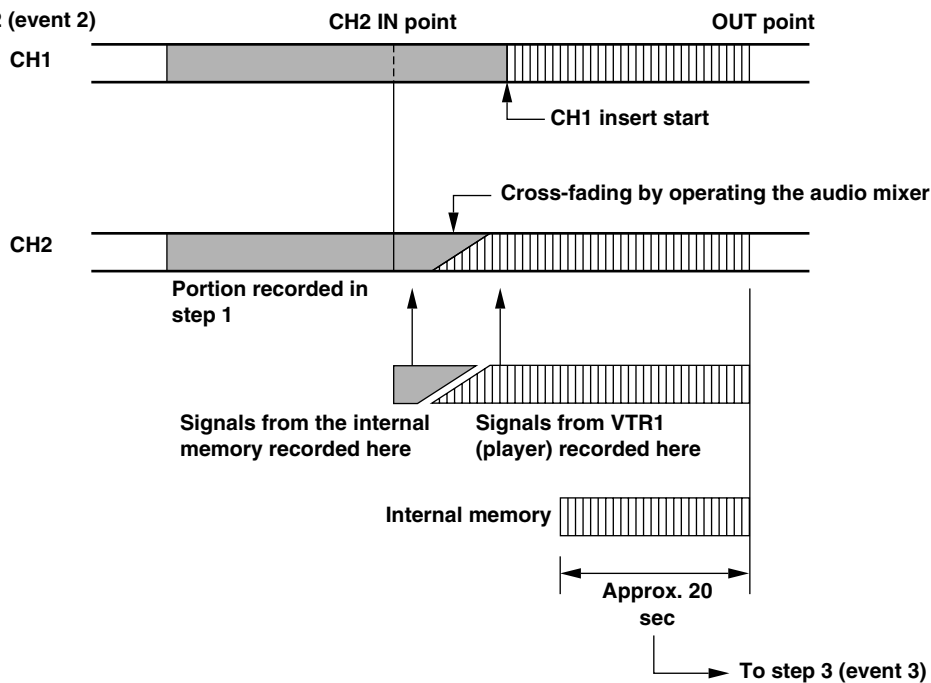


Audio cross channel editing

Step 1 (event 1)



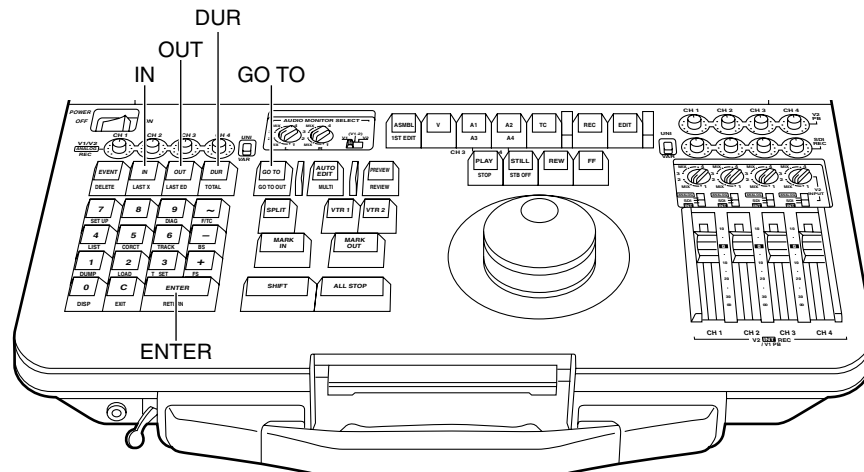
Step 2 (event 2)



5 In order to perform the next audio cross channel editing operation (next event), press the A1 button to start the CH1 insert editing upon completion of the audio mixer's cross-fading operation. Editing ends at the OUT point. However, the same sound recorded for about 20 seconds before the OUT point is also stored in the internal memory at this time.

6 To continue editing, repeat the operation from **1** of process 2.

Checking the edit points (IN, OUT, DUR, GO TO)



■ Checking the edit IN point setting (IN)

Press the IN button.

While holding down this button, the VTR1 IN point data is shown on the VTR1 counter, and the VTR2 IN point data is shown on the VTR2 counter.

■ Checking the edit OUT point setting (OUT)

Press the OUT button.

While holding down this button, the VTR1 OUT point data is shown on the VTR1 counter, and the VTR2 OUT point data is shown on the VTR2 counter.

■ Checking the editing duration setting (DUR)

Press the DUR button.

While holding down this button, the editing duration of the event displayed is shown on the VTR1 and VTR2 counters.

■ Edit point cue-up (GO TO, GO TO OUT)

Press the GO TO button after selecting the VTR using the VTR1 or VTR2 button.

The lamp above the GO TO button now lights, and the selected VTR automatically searches for the edit IN point, and stops.

If the GO TO OUT ([SHIFT] + [GO TO]) button is pressed instead of the GO TO button, the selected VTR automatically searches the edit OUT point, and stops.

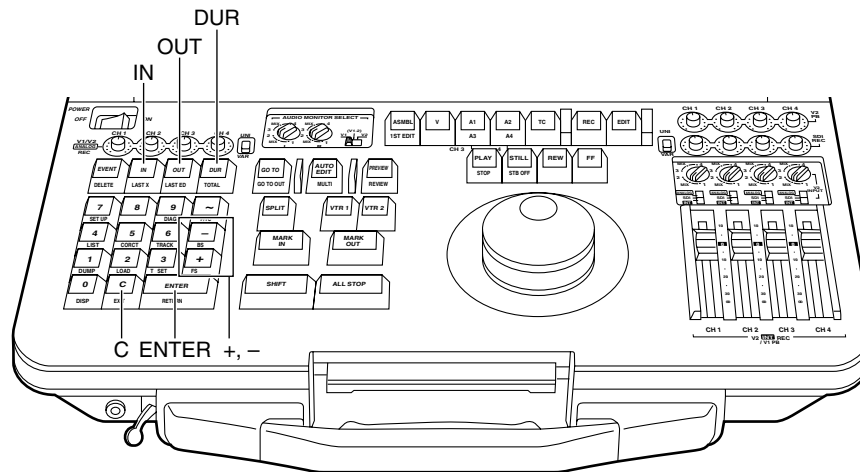
■ Cue-up to a specific time code (GO TO)

Select the VTR using the VTR1 or VTR2 button.

After inputting the specific time code value or CTL value using the numeric input buttons, press the GO TO button. The lamp above the GO TO button now lights, and the selected VTR automatically searches the time code which was input, and stops.

Modifying and clearing edit data

When an edit point has been set incorrectly, follow the method below to modify or clear the edit data.



■ Modifying edit points (IN point, OUT point or duration) one frame at a time (trimming)

- To increase the edit IN point by one frame, press the + button while holding down the IN button.
- To decrease the edit IN point by one frame, press the – button while holding down the IN button.
- To increase the edit OUT point by one frame, press the + button while holding down the OUT button.
- To decrease the edit OUT point by one frame, press the – button while holding down the OUT button.
- To increase the duration by one frame, press the + button while holding down the DUR button.
- To decrease the duration by one frame, press the – button while holding down the DUR button.

■ Modifying edit points (IN point, OUT point or duration)

To modify an edit IN point by one more than one frame:

- ① Press the IN button.
- ② To shift the edit point further back, press the + button; to shift it further ahead, press the – button.
- ③ Use the numeric input buttons to input the value by which the edit point is to be incremented or decremented.
- ④ Press the ENTER button.

To modify an edit OUT point, press the OUT button instead of the IN button in step ①.

To modify a duration, press the DUR button instead of the IN button in step ①.

■ Clearing edit points (IN point, OUT point or duration)

To clear an edit IN point:

- ① Press the IN button.
- ② Press the C button.
- ③ Press the ENTER button.

To clear an edit OUT point, press the OUT button instead of the IN button in step ①.

To clear a duration, press the DUR button instead of the IN button in step ①.

Storing and recalling edit data

The unit contains an EDL (edit decision list) memory for storing up to 200 events.

Edit data can be stored in the EDL memory and, whenever the necessity arises, the required event data which has been registered can be recalled.

It is also possible to modify recalled data, edit events one by one or perform multi-event editing.

■ Executing editing and storing the edit data in the EDL memory

When editing is performed by preparing the edit data as a new event (an event whose 3-digit number displayed on the event number display lamps is preceded by an "n"), the data is automatically stored in the EDL memory upon completion of the editing. At the same time, the event number is carried up by 1, and the edit data is updated.

■ Storing the edit data in the EDL memory without executing editing

When edit data is prepared as a new event and the FS ([SHIFT] + [+]) button is pressed, the edit data is stored in the EDL memory. At the same time, the event number is carried up by 1, and the edit data is updated.

When the FS button is pressed after changing the edit data of an event which is not a new event, a screen (with the CORRECT OK ? message) for checking whether the changed data is to be stored appears.

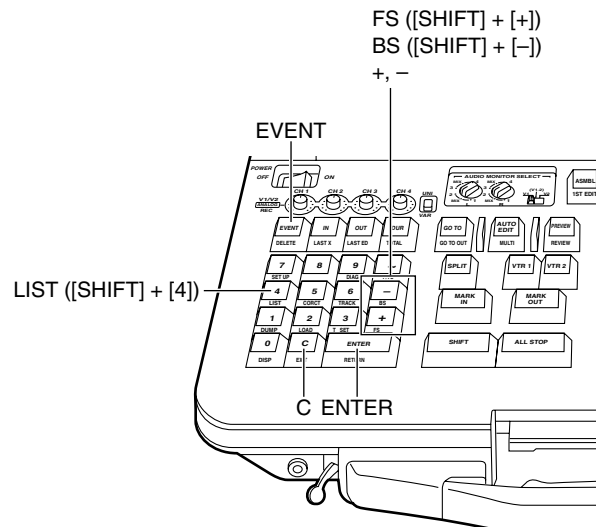
If the data is to be stored, press the ENTER button; if not, press the C button.

Ripple processing is also checked when the edit OUT point of VTR2 (recorder) has been changed. For further details, refer to the section on the Correct Function (page 77).

<Note>

If events 000 through 200 are stored when OFF has been selected as the setup menu item No.374 (EDL AUTO CLR) setting, "FULL" will appear on the event number display lamps, and no more events can be stored. (Overwriting is prohibited.)

If edit data is stored after event 200 when ON has been selected for the above item, operation returns to event 001 which is then overwritten when the data of the new event is stored.



■ Recalling edit data before or after the displayed event

To recall the edit data of the next event, press FS ([SHIFT] + [+]).

To recall the edit data of the previous event, press BS ([SHIFT] + [-]).

■ Recalling the edit data of an event by specifying its event number

After pressing the event button, use the numeric input buttons to input the event number in question, and press the ENTER button.

■ Recalling edit data by searching it on the screen

① Press the LIST ([SHIFT] + [4]) button.

The data of the event currently displayed on the monitor screen together with the data of the previous and next events is listed.

For further details on what will be displayed, refer to the section on processing the edit data (LIST).

② Use the FS or BS button to scroll up or down the edit data on the monitor screen to search the desired edit data.

③ Press the ENTER button.

Multi-event editing

When multiple events have been stored, multiple events can be edited together.

1 Recall the first of the events to be edited. (Refer to the section on storing and recalling edit data.)

2 Press the MULTI ([SHIFT] + [AUTO EDIT]) button. The data is automatically edited from the recalled event to the last event. The data of deleted events (events with “d” displayed before the 3-digit event numbers) are excluded from the data editing.

Example:

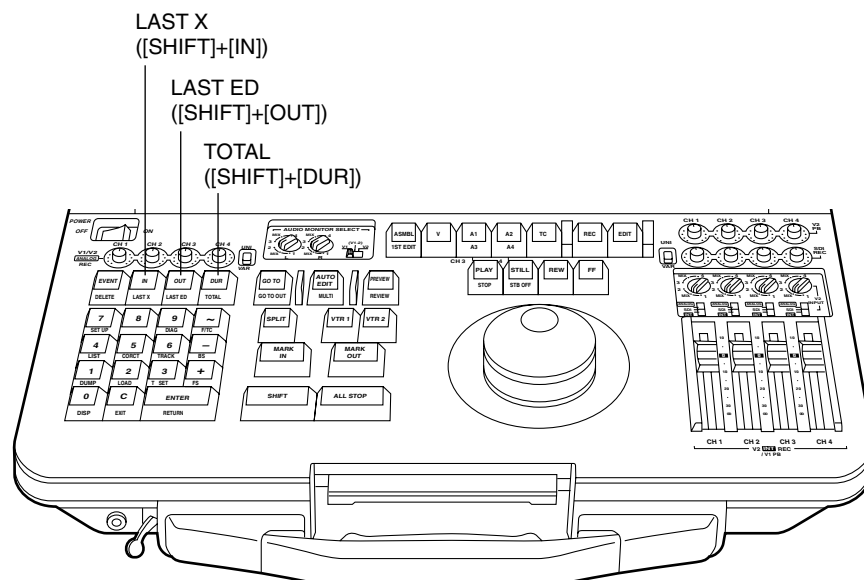
When events 001 to 050 have been stored and only events 025 to 050 are to be edited, recall event 025, and proceed with multi-event editing.

When, for instance, events 34, 35 and 48 have been deleted and displayed as “d034,” “d035” and “d048,” events 25 to 33, 36 to 37, 49 and 50 are edited in succession.

<Note>

Press the ALL STOP button to stop multi-event editing at any time. Press the MULTI ([SHIFT] + [AUTO EDIT]) to resume the editing.

LAST X/LAST ED/TOTAL



LAST X ([SHIFT] + [IN])

This button is for re-registering an event which has been deleted.

A once deleted event can be re-registered.

- Recall the deleted event (the one with the “d” indication on the event number display area), and press the LAST X ([SHIFT] + [IN]) button. The “d” indication is replaced with a blank display.

LAST ED ([SHIFT] + [OUT])

This button is for recalling the original data which has been previewed and edited.

- Press the LAST ED ([SHIFT] + [OUT]) button. The original data which has been previewed and edited is restored.
- Pressing the LAST ED button again restores the current edit data after the previous editing. Each time the LAST ED button is pressed, the original data and present edit data are displayed alternately.

LAST ED buffer:

The data automatically stored in the LAST ED buffer consists of the latest data stored in the EDL memory and preview data before any changes are made. When the LAST ED button is pressed, the data stored in this buffer is recalled. This function comes in handy when previewing the data before and after the changes are made in case the pre-preview editing data is more suited to the purpose at hand.

TOTAL ([SHIFT] + [DUR])

This button is for checking the total editing time.

The total editing time from the start of editing is displayed.

This enables the editing time to be checked when editing material with a fixed length.

- Press the TOTAL ([SHIFT] + [DUR]) button. While it is held down, the total editing time is shown in the VTR2 time display area.

Start time and end time:

The time that serves as the reference for calculation is determined by the edit point setting statuses, etc.

The total editing time is equal to the end time prescribed below minus the start time.

Start time:

Normally, the VTR2 (recorder) IN point of the edit data set in the first event of the EDL memory is the start time.

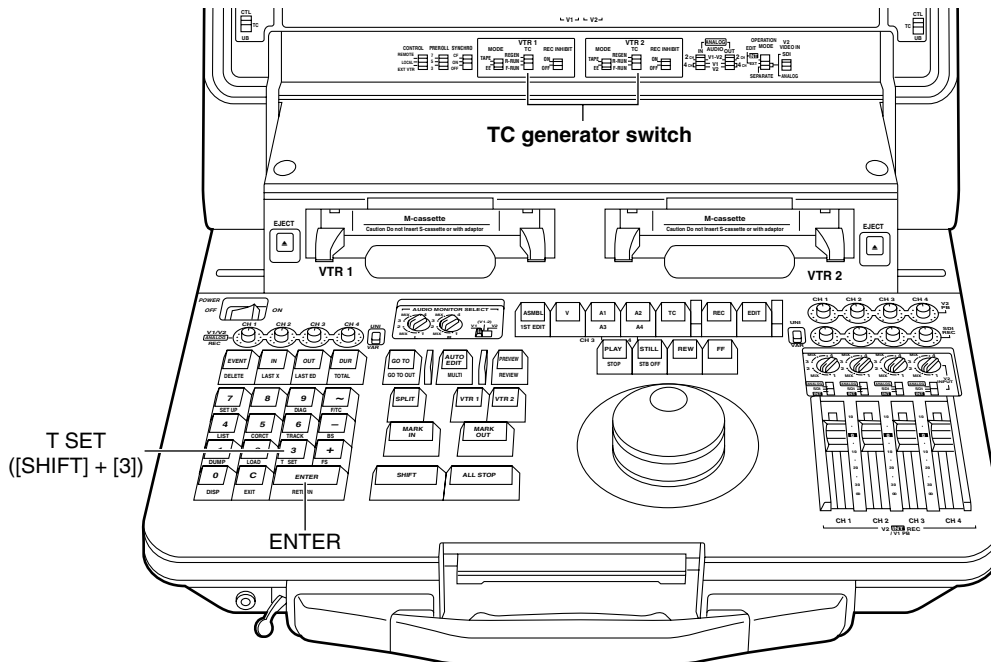
End time:

The VTR2 (recorder) OUT point of the displayed event is the end time.

When the OUT point has not been set, the VTR2 (recorder) IN point serves as the end time; when not even the IN point has been set, the VTR2 (recorder) OUT point of the previous event serves as the end time.

Setting the time code (T SET)

This procedure is followed to set the initial value of the time code for manual recording or 1ST EDIT.



When recording manually by setting the initial value of the time code

- 1** Set the TC generator switch of the VTR which is to be used for recording to R-RUN (REC RUN) or F-RUN (FREE RUN).
In the REC RUN mode, the time code advances only while recording is in progress.
In the FREE RUN mode, the time code advances as soon as the time code setting is completed (and it advances all the time while the power is kept on).
- 2** Press the T SET ([SHIFT] + [3]) button.
- 3** Use the numeric input buttons to input the initial value of the time code to be recorded.
- 4** Press the ENTER button.
- 5** When recording manually by presetting the user's bit as well, perform the following settings ① through ④.
 - ① Align the cursor with setup menu item No.574 (UB PRESET).
 - ② Press the T SET ([SHIFT] + [3]) button.
 - ③ Use the numeric input buttons to input the desired user's bit value. (See page 75)
 - ④ Press the ENTER button.
- 6** Select the VTR to be used for recording, and press the REC button and PLAY button to start the recording.

<Note>

When recording manually, the initial value of the time code can be set by setting the TC generator switch to R-RUN or F-RUN regardless of what is selected as the setup menu item No.504 (REGEN MODE) setting.

Setting the time code (T SET)

When performing 1ST EDIT by setting the initial value of the time code

- 1** Align the cursor with setup menu item No.377 (1ST EDIT TC).
- 2** Press the T SET ([SHIFT] + [3]) button.
- 3** Use the numeric input buttons to input the desired time code value.
- 4** Press the ENTER button.
- 5** Align the cursor with setup menu item No.378 (1ST EDIT UB).
- 6** Press the T SET ([SHIFT] + [3]) button.
- 7** Use the numeric input buttons to input the desired user's bit value.
- 8** Press the ENTER button.

<Note>

To input letters A through F, press the SHIFT button and one of the following number buttons.

- A ([SHIFT] + [1])
- B ([SHIFT] + [2])
- C ([SHIFT] + [3])
- D ([SHIFT] + [4])
- E ([SHIFT] + [5])
- F ([SHIFT] + [6])

When recording a time code whose initial value has been set during assemble editing or time code insert editing (VTR2 only)

This can be done with open-ended editing where the editing is performed without the OUT point having been set.

- 1** Select "SW" as the setup menu item No.504 (REGEN MODE) setting.
- 2** Set the TC generator switch of VTR2 to R-RUN or F-RUN.
- 3** Press the T SET ([SHIFT] + [3]) button.
- 4** Use the numeric input buttons to input the initial value of the time code to be recorded.
- 5** Press the ENTER button.
- 6** Set only the IN point, and proceed with the assemble editing or time code insert editing.

<Notes>

- Operation will not be performed properly if the OUT point is set.
- When a setting other than "SW" (such as "AS&IN," "ASSEM" or "INSRT") is selected for setup menu item No.504 (REGEN MODE), the time code will be recorded in the REGEN (regeneration) mode during an editing operation which has been set using setup menu item No.504 regardless of the position of the TC generator switch of VTR2.

Setting the time code (T SET)

When performing assemble editing or time code insert editing by presetting the user's bit

- 1** Align the cursor with setup menu item No.574 (UB PRESET).
- 2** Press the T SET ([SHIFT] + [3]) button.
- 3** Use the numeric input buttons to input the desired user's bit value.
- 4** Press the ENTER button.
- 5** Select "SW" as the setup menu item No.504 (REGEN MODE).
- 6** Set the TC generator switch of VTR2 to R-RUN or F-RUN.
- 7** Proceed with the assemble editing or time code insert editing.

<Note>

To input letters A through F, press the SHIFT button and one of the following number buttons.

- A ([SHIFT] + [1])
- B ([SHIFT] + [2])
- C ([SHIFT] + [3])
- D ([SHIFT] + [4])
- E ([SHIFT] + [5])
- F ([SHIFT] + [6])

CORCT/TRACK/DISP

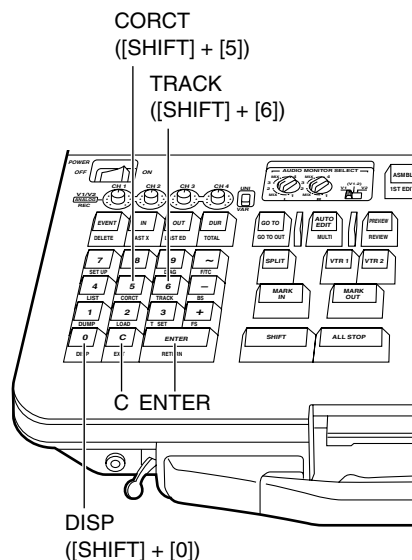
Correction function (CORCT)

This function enables corrections to be made to edit data in an existing event (one whose edit data has already been stored in the memory) but not in a new event.

- 1 Press the CORCT ([SHIFT] + [5]) button.
The changed data is stored in the EDL memory.
- 2 When the edit OUT point of VTR2 (recorder) has been changed, a message (RIPPLE OK?) for verifying whether to go ahead with ripple processing appears.
If ripple processing is to be performed, press the ENTER button.
If not, press the C button.
- 3 To perform ripple processing, input the event to be executed next.
When ripple processing is to be performed for all the events subsequent to an event whose data has been changed, simply press the ENTER button.
To designate the events for which ripple processing is to be performed, input the numbers of the events using the numeric input buttons and the [~] button.

Example:

To designate events 5 to 21, press [5] ▶ [~] ▶ [2] ▶ [1], and then press [ENTER].



Track function (TRACK)

This function is used to set the edit points of VTR1 (player) efficiently in response to a change made in an edit IN point of the VTR2 (recorder).

- 1 Change the edit IN point of the VTR2 (recorder).
- 2 Press the TRACK ([SHIFT] + [6]) button to establish the track mode.
 - The colon (:) between the hours and minutes on the counter display shown on the monitor screen changes to a dot (.) to indicate that the track mode has been established.
 - The time code (UB or CTL) indicated on the display tube flashes to indicate that the track mode has been established.
 - The edit IN point of VTR1 (player) is automatically changed in a way that reflects the change which was made in step 1.
- 3 When an edit IN point of VTR2 (recorder) is changed while the track mode is established, the edit IN point of VTR1 (player) is also changed automatically in a way that reflects the VTR2 change.
- 4 The track mode is released when the edit IN point of VTR1 (player) is changed.

<Note>

Since the track mode is automatically established when ALL has been selected as the setup menu item No.313 (AUTO ENTRY) setting, there is no need to establish the track mode by pressing the TRACK ([SHIFT] + [6]) button.

Monitor display ON/OFF switching (DISP)

The status, operation mode and other information displays which are superimposed onto the monitor (liquid crystal monitor, VIDEO MONITOR output) can be switched from ON to OFF, or vice versa, by pressing the DISP ([SHIFT] + [0]) button.

Clearing edit data in the EDL memory

Clearing all the edit data

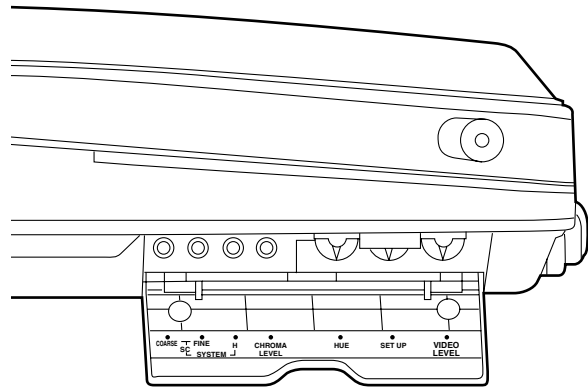
- 1** Press the EVENT button.
- 2** Press the 9 button three times to show “999” on the event number display lamps.
- 3** Press the ENTER button while holding down the SHIFT button.
All the edit data inside the EDL memory area is now cleared.

<Note>

Similarly, it is possible to clear all the edit data inside the EDL memory area by pressing the [SHIFT] + [ALL STOP] + [C] buttons at the same time.

Encoder adjustments

The video signals (ENCODER OUT) must be adjusted upon completion of the system connections before any signals are transmitted in order to conduct accurate error-free editing.
(This adjustment may have to be repeated whenever a connecting cable is replaced or the connections changed.)

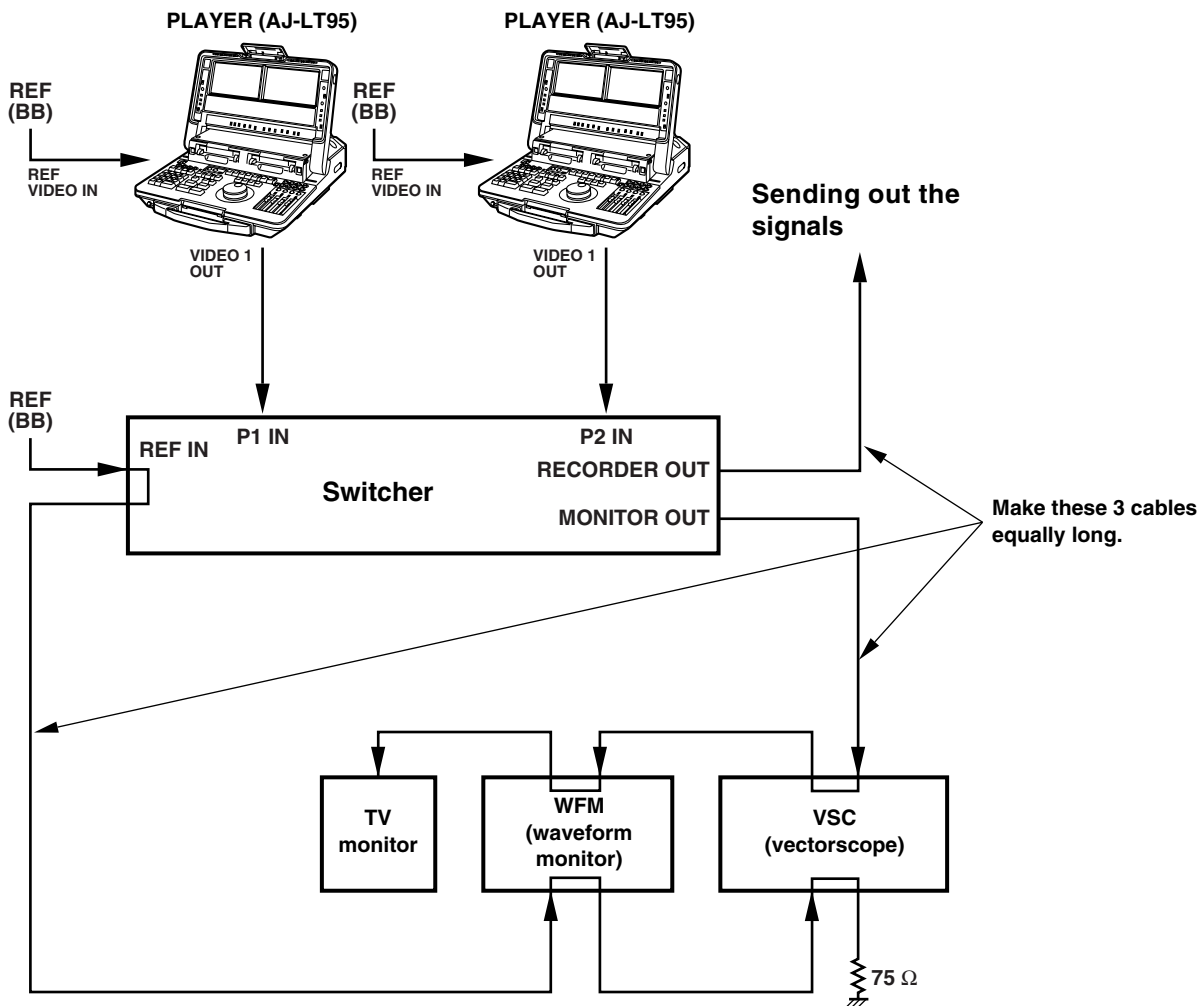


To adjust the encoder using the laptop:

1 Connect the units as shown below.

<Note>

- Supply the external reference signals to the units from a sync signal generator.
- Connect composite video signals.



If a waveform monitor and vectorscope are unavailable, observe the images on a monitor and adjust to eliminate any color shifting.

Encoder adjustments

2 Set the REMOTE/LOCAL switch to the position (LOCAL) where the adjustment is to be made.

3 Conduct the adjustments using a discrete source unit.

Any deviation in the set-up level, video level, chroma level or hue will cause color shifting in the recorder. Adjust them using a discrete player.

① Play back a cassette tape on which standard color bars have been recorded.

② Adjust the controls in such a way that the waveform monitor (WFM) and vectorscope (VSC) achieve the following.

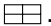
A Set-up level:

Adjust so that there is no deviation.

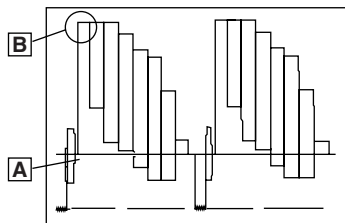
B Video level:

Adjust this to 100IRE.

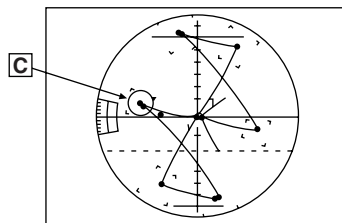
C Chroma level, hue:

Adjust the two controls, and place the trace of the vector waveforms at the mark .

■ **Waveform on WFM**



■ **Waveform on VSC**



③ Perform the same adjustments for the connected source unit.

4 Adjust the SYSTEM PHASE controls.

① Play back the standard color bars on VTR1.

② Adjust the SYSTEM PHASE controls of VTR1.

Adjust so that the waveform monitor (WFM) achieves the following.

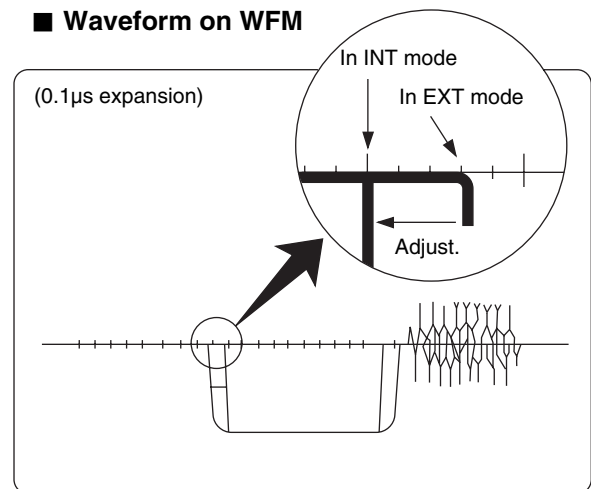
1. In the INT mode, expand the waveform on the WFM to 0.1 μ s.

2. Check the H SYNC position.

3. Now set the WFM to the EXT mode.

4. In the EXT mode, adjust the SYSTEM PHASE (H SC FINE, SC COARSE) controls in such a way that the HSYNC signal is aligned with the position in 2.

■ **Waveform on WFM**



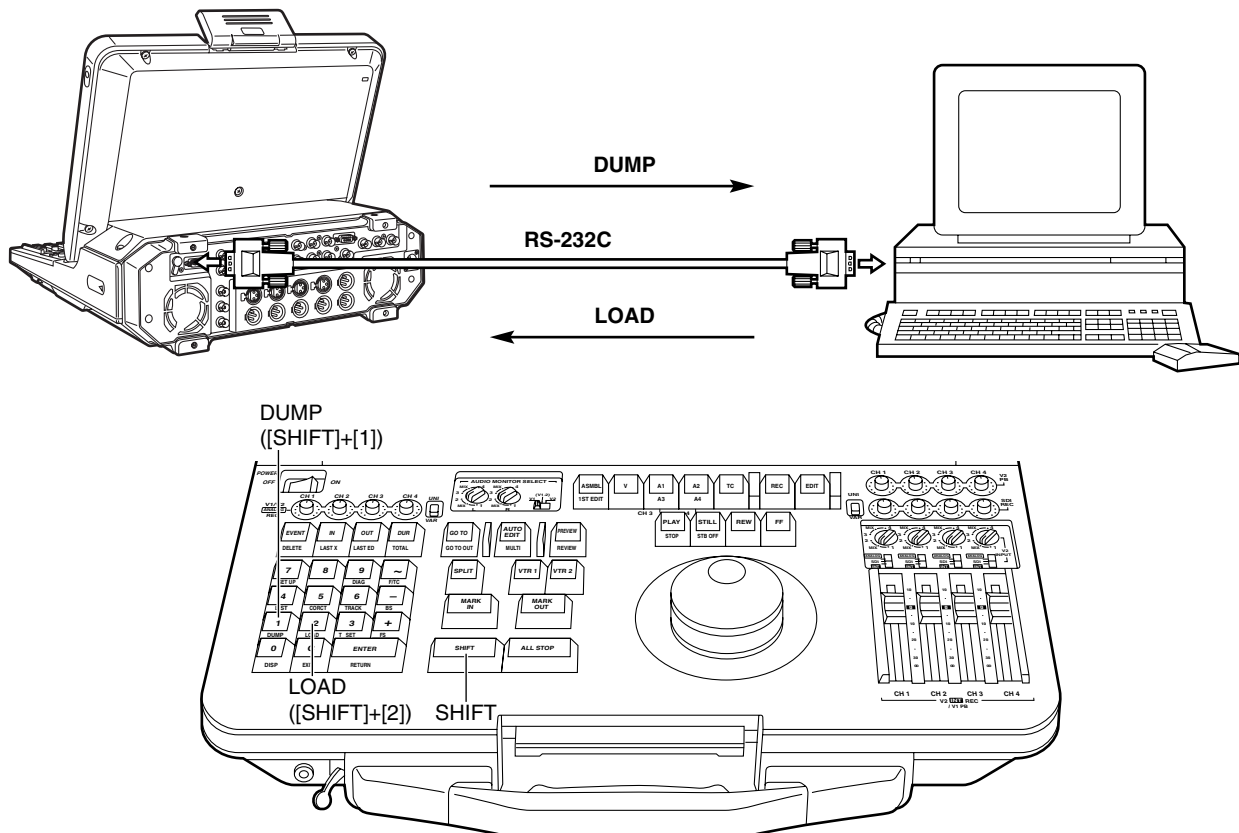
(Note the SYNC fall.)

Sending (DUMP) and loading (LOAD) edit data to an external component

The edit data stored in the EDL memory can be sent to and loaded from an external component using the EDL connector on the unit's rear panel.

Outputting data to a computer, for instance, and loading data from a computer enables a wide range of systems to be run and managed in the following ways.

- Data can be edited off-line by the unit, and the edit data can be used by an on-line system.
- The edit data can be stored on a hard disk or floppy disk.
- The edit data can be checked by displaying it on a computer monitor or by printing it out.



Sending (dumping) edit data to an external component

- 1** Set the communication parameters and format of the data to be output using the INTERFACE setup menu.
- 2** Set up the computer or other external component so that it is ready to receive data.
- 3** Press the DUMP ([SHIFT] + [1]) button. The VTR2 button LED flashes, and the number of the event which is being sent is indicated on the event number display lamps.

- 4** Dumping is completed when all the edit data inside the EDL memory has been sent. To stop dumping at any time, press the ALL STOP button.

<Notes>

- Dumping is not possible if the CONTROL switch has been set to the REMOTE or EXT VTR position.
- To execute dumping, the communication parameters, etc. of the computer or other external component must also be set.

Sending (DUMP) and loading (LOAD) edit data to an external component

Loading edit data from an external component

- 1** Set the communication parameters and format of the data to be received using the INTERFACE setup menu.
- 2** Press the LOAD ([SHIFT] + [2]) button.
The VTR1 button LED flashes to indicate that the data reception mode is now established.
- 3** Data is now loaded from the computer or other external component.
The number of the event being loaded appears on the event number display lamps.
- 4** Loading is completed when all the edit data inside the computer has been sent.
Alternatively, it is completed when the EDL memory is full.
To stop loading at any time, press the ALL STOP button.

<Notes>

- Loading is not possible if the CONTROL switch has been set to the REMOTE or EXT VTR position.
- To execute loading, the communication parameters, etc. of the computer or other external component must also be set.
- The operation may not proceed properly if data in a format which cannot be handled by the unit is received or if modified or edited EDL data is received.

External component settings and communication methods

The external component settings and data communication methods that must be employed differ depending on the component concerned.

For details on the settings and operations, refer to the manuals accompanying the component, its operating system, and communications software program.

- 1** Use the same communication protocol settings for the external component as for the unit. The unit's protocol settings can be selected using setup menu item No.205 through No.208 and No.270.

(Factory settings:

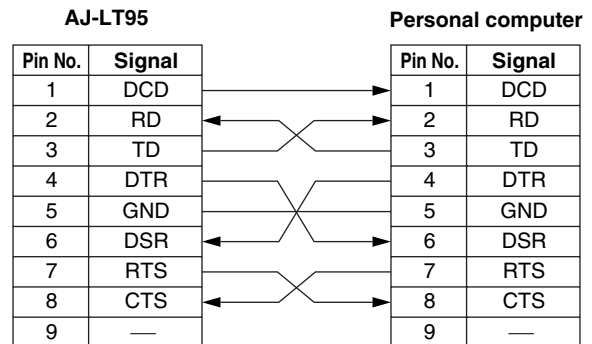
Baud rate: 9600 bps, Data length: 8 bits,

Stop bit: 1 stop bit, Parity: odd,

Flow control: None)

The external component (personal computer, etc.) protocol settings are performed using the switches and RS-232C setting commands (MODE command and SPEED command).

- 2** Cable used:
9-pin cable complying with inter-link cable specifications



- 3** Receive the data using the RS-232C connector on the external component.

① Input COPY AUX #####/A or COPYA AUX ##### (where ##### is the file name).

② Press the unit's DUMP ([SHIFT] + [1]) button.

Many personal computers can receive data using this method.

- 4** Send the data from the RS-232C connector on the external component.

① Input COPY #####/B AUX or COPYA ##### AUX (where ##### is the file name).

② Press the unit's LOAD ([SHIFT] + [2]) button.

Many personal computers can send data using this method.

Sending (DUMP) and loading (LOAD) edit data to an external component

Concerning the EDL format

Either the AG-A850 format or CMX340 format can be selected as the data format when edit data is to be sent to a personal computer or other external component.

Select the format using the setup menu item No.271 (EDL FORMAT).

■ AG-A850 format

Since all the edit data in the EDL memory is sent in this format, the edit data can be completely restored when data which was sent from the unit is loaded again into the unit. However, if data which was prepared with ON selected as the setup menu item No.374 (EDL AUTO CLR) setting is to be loaded, it must be received at the same ON setting.

Since the nature of the EDL format makes it impossible to differentiate between audio split data and video split data in split edited data, the AUDIO SPLIT setting is what is normally used for such data.

[Output example]

TITLE: PANASONIC EDITING CONTROLLER AG-A850 (AJ-LT95)								
EVENT	REEL	MODE	TYPE	RANS	P-VTR IN	P-VTR OUT	R-VTR IN	R-VTR OUT
0001	0001	ASMBL	C		00:09:45:15	00:09:48:03	00:17:32.15	00:17:35.03
0002	0001	VA12	C		00:09:48:03	00:09:55:27	00:17:35.03	00:17:42.27
0003	AUDIO	SPLIT	REEL	0001		00:10:10:20		
0003	0001	VA12	C		00:09:55:27	00:10:12:10	00:17:42.27	00:17:59:10
0004	0001	VA1234	C		00:10:12:10	00:10:17:21	00:17:59:10	00:18:04.23
0005	0001	ASMBL	C		00:10:17:21	00:10:22:23	00:18:04:23	00:18:09:25
0006	0001	VA12	C		00:10:22:23	00:10:24:13	00:18:09:25	00:18:11:15
0007D	0001	VA12	C		00:10:24:13	00:10:35:15	00:18:11:15	00:18:18:18
0008	0001	VA12	C		00:10:35:15	00:10:41:22	00:18:18:18	00:18:27:21
0009	0001	ASMBL	C		00:10:41:22	00:10:41:22	00:18:27:21	00:18:27:21
0009		SPEED	REEL	0001	000	00:10:41:22		
<u>0010</u>	<u>0001</u>	<u>VA12</u>	<u>C</u>		<u>00:10:41:23</u>	<u>00:10:43:00</u>	<u>00:18:27:21</u>	<u>00:18:28:28</u>

↑ Player IN point ↑ OUT point ↑ Recorder IN point ↑ OUT point

Event number
 D: deleted event

Reel number
 0001 (0001 is the unit's only option)

Editing mode
 ASMBL: assemble editing; VA12, VA1234: insert editing

Effect type
 C: Cut (cut is the unit's only option)

<Notes>

- The following restrictions apply when data edited by the AG-A850 is input to the unit.
 - Event number:** Event numbers are ignored, and up to 200 events are received in sequence from the first event.
 - Reel number:** All reel numbers are received as "0001."
 - Effect type:** Only cut-edited events are received.
 - Slow-motion editing:** Only events with 0× (STILL) speed data are received with slow-motion editing.
- The following restrictions apply when data edited by the unit is input to the AG-A850.
 - Editing mode:** TC inserts are ignored.

Sending (DUMP) and loading (LOAD) edit data to an external component

■ **CMX340 format**

- Some of the data is converted in this format so that it cannot be completely restored even when dumped data is loaded again.

Event number:	Deleted event numbers are packed and sent. During receiving, event numbers are ignored, and up to 200 events are received in sequence from the first event.
Reel number:	All reel numbers are received as "0001."
Editing mode:	Assemble-edited data is converted into insert-edited data (V, A1, A2, A3, A4) and output.
Effect type:	Only cut-edited events are received.
Slow-motion editing:	Only events with 0× (STILL) speed data are received with slow-motion editing.
Split editing:	All split-edited data is received as audio split-edited data (with the recorder serving as the reference).

Error Messages

One of the following error messages is displayed when a problem has occurred in the unit. The VTR is set to the auto OFF mode (stop) or the power is forcibly turned off. Contact your dealer if the error display persists even when the power is turned off and turned back on again.

Display tube	Superimposed display	Description	VTR operation
d	DEW	Condensation (dew) has formed. Leave the power on and wait until the error message is cleared. When OFF has been selected as the setup menu item No.170 (HUMID OPE) setting, "d" lights on the display tube and "DEW" appears on the superimposed display.	Only the EJECT button can be operated. When a cassette tape has been inserted, it will not be loaded. If not, the drum cylinder rotates.
"d" and counter values are displayed alternately.	VTR mode	When HUMID OPE has been set to ON, "d" and the counter value are displayed alternately on the display tube, and the VTR mode is superimposed on the display.	Operation continues.
—	SERVO NOT LOCKED	This appears when the servo is disengaged for more than 3 seconds during playback, recording or editing.	Operation continues.
—	LOW RF	This appears when the state in which envelope level is output is only one-third of the normal and continues for more than 1 second during playback.	Operation continues.
—	HIGH ERROR RATE	This appears when the error rate has deteriorated, and the video playback signals or audio playback signals have been subject to correction or interpolation.	Operation continues.
E — 10 (This appears for 5 seconds when 20 minutes have elapsed since the fan stopped.)	FAN STOP	The fan motor has stopped. When about 20 minutes have elapsed with the fan motor stopped, the power is forcibly turned off.	Operation continues/ power OFF.
E — 27	REEL STAND MOTOR	This appears when the reel base which operates in accordance with the tape size has locked for more than 2.5 seconds after the cassette tape was inserted.	Eject/auto OFF
E — 29	FRONT LOAD MOTOR	This appears when the cassette tape fails to move down within 4 seconds after it was inserted or if it fails to be ejected within 4 seconds after EJECT.	Cassette down/eject
E — 31	LOADING MOTOR	This appears when the loading operation is not completed within 4 seconds.	Eject
E — 32	UNLOADING MOTOR	This appears when the unloading operation is not completed within 4 seconds.	Auto OFF
E — 35	SERVO CONTROL ERR	This appears when there has been no response from the servo microcomputer for more than 1 second.	Auto OFF
E — 36	SERVO ERROR	This appears when only the servo microcomputer has been reset by an instantaneous power failure, etc.	Auto OFF
E — 37	SERVO COMM ERROR	This appears when the servo microcomputer fails to follow the system control microcomputer's instructions within 10 seconds.	Auto OFF
E — 51	FRONT LOAD ERROR	This appears when the take-up reel has been rotated without engaging for a specific period of time by the start or end operation at some point during loading (half position).	Auto OFF
E — 52	W-UP REEL NOT ROTA	This appears when the total tape amount is not detected after the cassette tape has been inserted, and the take-up reel has failed to take up the tape while the tape is traveling.	Auto OFF
E — 53	WINDUP ERROR	This appears after the total tape amount has been detected when the amount taken up by the take-up reel and the amount fed out by the supply reel are abnormal.	Auto OFF
E — 55	UNLOAD ERROR	This appears when the tape is not taken up during unloading.	Auto OFF
E — 57	S-FF/REW TIMEOVER	This appears when the tape's start or end processing operation fails to be completed.	Auto OFF

Error Messages

Display tube	Superimposed display	Description	VTR operation
E — 59	DRUM ROTA TOO SLOW	This appears when the cylinder motor's rotation speed is abnormally low.	Auto OFF
E — 59	DRUM ROTA TOO FAST	This appears when the cylinder motor's rotation speed is abnormally high.	Auto OFF
E — 61	CAP ROTA TOO SLOW	This appears when the capstan motor's rotation speed is abnormally low.	Auto OFF
E — 64	S REEL TOO FAST	This appears when the supply reel motor's rotation speed is abnormally high.	Auto OFF
E — 67	T REEL TOO FAST	This appears when the take-up reel motor's rotation speed is abnormally high.	Auto OFF
E — 69	T REEL TORQUE ERR	This appears when an abnormal torque applied to the take-up reel motor has been detected.	Auto OFF
E — 70	S REEL TORQUE ERR	This appears when an abnormal torque applied to the supply reel motor has been detected.	Auto OFF
E — 71	CAP TENSION ERROR	This appears when an abnormal supply tape tension has been detected in the capstan mode.	Auto OFF
E — 72	REEL TENSION ERROR	This appears when an abnormal supply tape tension has been detected in the reel mode.	Auto OFF
E — 73	REEL DIR UNMATCH	This appears when the take-up reel motor has rotated in the reverse direction.	Auto OFF
E — 81	SOL NG	This appears when a problem has been detected in the solenoid drive circuit. After this error message appears, the power is forcibly turned off.	Power OFF
E — 82	C SOL NG	This appears when a problem has been detected in the cleaning solenoid drive circuit. After this error message appears, the power is forcibly turned off.	Power OFF
E — BA	BATTERY	This appears when the input DC voltage drops below the undercut voltage (approx. 10.6V). After this error message appears, the power is forcibly turned off.	Power OFF

Video Head Cleaning

This unit is equipped with an auto head cleaning function which automatically reduces the amount of dirt on the video heads. However, in order to maximize the unit's reliability, it is recommended that the video heads be cleaned as and when appropriate.

For further details on how to actually clean the heads, consult one of our service companies or your dealer.

Condensation

Condensation forms according to the same principle by which droplets of water form on the window panes of heated rooms. It forms in the unit when the unit or tape is moved to a location with a significant difference in temperature or humidity. It also forms when the unit has been moved:

- to a very humid location filled with steam or a room immediately after it has been heated up.
- suddenly from an air-conditioned environment to a place with high temperature and humidity levels.

When moving the unit to these types of locations, do not turn on the power immediately but leave the unit standing and wait for about 10 minutes. If condensation has formed inside the unit, an error message "d" lights up on the counter display, and the cassette tape is automatically ejected.

Leave the power on, and wait until the error message is cleared.

Maintenance

Before proceeding with maintenance, set the power switch to the OFF position, and disconnect the unit from the power outlet: always remember to take hold of the molded part of the power plug when doing this.

Use a soft cloth to clean the cabinet. In the case of stubborn dirt, dilute some kitchen detergent, soak a cloth in the solution, wring it out well, and now use it for cleaning. After wiping up the dirt, remove any remaining moisture with a dry cloth.

Do not use paint thinners or benzene.

Specifications

[GENERAL]

Supply voltage: DC 12 V
Input current: 12 A

Ambient operating temperature:

41°F to 104°F (5°C to 40°C)

Ambient operating humidity:

10% to 85% (no condensation)

Weight:

28.38 lb (12.9 kg)

Dimensions (W×H×D):

16 11/16"×4 3/4"×17 3/16" (424×120×435 mm)

Recording format:

DVCPRO 50 format/DVCPRO format selectable

Video signals recorded:

525i/625i selectable (525i only with analog input signals)

Audio signals recorded:

DVCPRO 50: 48 kHz, 16 bits, 4 channels

DVCPRO: 48 kHz, 16 bits, 2 channels

Recording tracks:

- Digital video and digital audio:
Helical track
- TC:
Helical track (subcode area)
- Cue signal:
1 track
- Control (CTL) signal:
1 track

Tape speed:

DVCPRO 50 (525i): 67.640 mm/s

DVCPRO 50 (625i): 67.708 mm/s

DVCPRO (525i): 33.820 mm/s

DVCPRO (625i): 33.854 mm/s

Recording time:

- DVCPRO 50:
92 minutes (using AJ-5P92LP)
33 minutes (using AJ-P66MP)
- DVCPRO:
184 minutes (using AJ-5P92LP*)
66 minutes (using AJ-P66MP)

* For AJ-5P92LP cassette tapes recorded using the DVCPRO (25 Mbps) mode, use a VTR supporting DVCPRO (25 Mbps) 184 minute tapes.
--

Tape used:

Metal tapes

FF/REW time:

Less than 3.5 min. (using AJ-5P92LP)

Editing accuracy:

±0 frames (using time code)

Tape timer accuracy:

±2 frames (using continuous CTL signal)

Servo lock time:

Less than 0.5 sec

[VIDEO]

■ Digital video (same for VTR1, VTR2)**Sampling frequencies:**

- DVCPRO 50
Y: 13.5 MHz
P_B/P_R: 6.75 MHz
- DVCPRO
Y: 13.5 MHz
P_B/P_R: 3.375 MHz

Quantizing:

8 bits

Video compression system:

DCT + variable-length code

Video compression ratios:

- DVCPRO 50: 1/3.3
- DVCPRO: 1/5

Error correction:

Reed-Solomon product code

■ Digital IN/analog component OUT (VTR2 only)**Video band (DVCPRO 50):**

- 525i
Y: 30 Hz to 5.5 MHz (±1 dB)
5.75 MHz (−3 dB)
P_B/P_R: 30 Hz to 2.5 MHz (±1 dB)
2.75 MHz (−3 dB)
- 625i
Y: 25 Hz to 5.5 MHz (±1 dB)
5.75 MHz (−3 dB)
P_B/P_R: 25 Hz to 2.5 MHz (±1 dB)
2.75 MHz (−3 dB)

Signal-to-noise ratio:

Better than 57 dB

K factor:

Less than 2%

Specifications

[VIDEO]

■ Analog component IN/analog component OUT (same for VTR1, VTR2)

Video band (DVCPRO 50):

- 525i

Y:	30 Hz to 5 MHz (± 1 dB)
P _B /P _R :	30 Hz to 2.5 MHz (± 1 dB) 2.75 MHz (-3 dB)

Signal-to-noise ratio:

Better than 54 dB

K factor:

Less than 2%

■ Analog composite IN/analog composite OUT (same for VTR1, VTR2)

Video band:

- 525i

Y:	30 Hz to 4.5 MHz (± 1.5 dB)
----	----------------------------------

Differential gain:

Less than 5%

Differential phase:

Less than 3.5 deg

Y/C delay:

Less than 20 ns

K factor:

Less than 2%

[AUDIO]

■ Digital audio (same for VTR1, VTR2)

Sampling frequency:

48 kHz

Quantizing:

16 bits

Frequency response:

20 Hz to 20 kHz ± 1 dB (at reference level)

Dynamic range:

More than 85 dB (1 kHz, emphasis off, "A" weighted)

Distortion:

Under 0.1% (1 kHz, emphasis off, reference level)

Crosstalk:

Less than -80 dB (1 kHz, between 2 channels)

Wow & flutter:

Below measurable limits

Headroom:

525i: 20 dB

625i: 18 dB

Emphasis:

T1 = 50 μ s/T2 = 15 μ s (on/off selectable)

[ADJUSTMENTS]

■ Video output signals (separately for VTR1, VTR2)

Video gain:

More than ± 3 dB

Chroma gain:

More than ± 3 dB

Hue:

More than ± 30 deg

Setup:

± 10 IRE

H phase:

More than ± 8 μ s

SC phase:

± 180 deg

Specifications

[INPUT/OUTPUT CONNECTORS]

■ VIDEO

Analog component input:

BNC × 6 ([Y/P_B/P_R] × 2) (VTR1, VTR2)

Y: 1.0 V [P-P], 75 Ω, switched with analog composite input

P_B/P_R: 0.525/0.757 V [P-P] switching, 75 Ω (75% color bar, 0% setup)

Analog composite input:

BNC × 2 (VTR1, VTR2), 1.0 V [P-P], 75 Ω, switched with analog component Y input

Reference input:

BNC × 2 (loop-through), 75 Ω, automatic ON/OFF switching

Serial component digital input:

BNC × 2 (active through), compliant with SMPTE259M-C standard

Analog component output:

BNC × 6 ([Y/P_B/P_R] × 2) (VTR1, VTR2)

Y: 1.0 V [P-P], 75 Ω, switched with analog composite output

P_B/P_R: 0.525/0.757 V [P-P] switching, 75 Ω (75% color bar, 0% setup)

Analog composite output:

BNC × 2 (VTR1, VTR2), 1.0 V [P-P], 75 Ω, switched with analog component Y output

Monitor output:

BNC × 2 (VTR1, VTR2), analog composite, 1.0 V [P-P], 75 Ω, superimpose ON/OFF

Serial component digital output:

BNC × 1, compliant with SMPTE259M-C standard

■ AUDIO

Analog input:

XLR × 4 (VTR1 CH1/2 and VTR2 CH1/2, VTR1 CH1/2/3/4, VTR2 CH1/2/3/4 selectable)

600 Ω/high impedance selectable

+4/0/-3/-20 dBu selectable

VTR2 CH2 input (no.2 connector) only

+4/0/-3/-60 dBu selectable

Serial digital input:

BNC × 2 (active through), compliant with SMPTE259M-C standard

Analog output:

XLR × 4 (VTR1 CH1/2 and VTR2 CH1/2, VTR1 CH1/2/3/4, VTR2 CH1/2/3/4 selectable),

low impedance,

+4/0/-3/-20 dBm selectable (with 600 Ω load)

Monitor output:

XLR × 2 (L/R or VTR1/2), low impedance, 0 dBu

Serial digital output:

BNC × 1, compliant with SMPTE259M-C standard

Headphones:

M3 stereo, variable level (max. -25 dBu), 8 Ω, VTR1/VTR2 selectable, L/STEREO/R selectable

■ OTHER

TC input:

BNC × 1, 0.5 to 8 V [P-P], 10 kΩ

TC output:

BNC × 2 (VTR1, VTR2, video monitor output connectors selectable), 2.0 V [P-P], 75 Ω

Remote: (525i mode only)

D-sub 9-pin × 2 (VTR1, VTR2)

RS-422A interface

REMOTE IN/OUT selectable for VTR1

REMOTE IN only for VTR2

EDL input/output:

D-sub 9-pin, RS-232C interface

Specifications

[LCD MONITOR]

LCD panel:

7-inch wide-screen TFT active matrix ×2 (VTR1, VTR2), wide-screen/normal selectable (blank sides in normal mode), 525i/625i selectable

Brightness adjustment:

Controls ×2 (VTR1, VTR2)

Picture quality adjustment:

Color, tint (separate on-screen display menus for left, right)

(Tint: 525i mode only)

Backlight selection:

Bright, dark, off (separate switches for left, right)

[SPEAKERS]

Internal speakers ×2 , VTR1/VTR2 selectable, L/STEREO/R selectable

[DISPLAY TUBES]

■ Counter/mode display tubes (VTR1, VTR2)

Counter:

8 digits (CTL/TC/UB selectable, total tape amount, remaining tape amount, DC voltage)

Audio level meter:

16 segments, 4 channels, FULL/FINE selectable

Other:

625, 25/50 Mbps, CF, servo lock, tape travel mode, DF, wide screen, recording/edit recording /recording inhibit, video/REF input, SDI output

■ Event/edit point display tube

Event numbers, edit IN and OUT points, split (A SP or V SP), split IN point

Panasonic

PANASONIC BROADCAST & DIGITAL SYSTEMS COMPANY
DIVISION OF MATSUSHITA ELECTRIC CORPORATION OF AMERICA

Executive Office:

3330 Cahuenga Blvd W., Los Angeles, CA 90068 (323) 436-3500

EASTERN ZONE:

One Panasonic Way 4E-7, Secaucus, NJ 07094 (201) 348-7621

Mid-Atlantic/New England:

One Panasonic Way 4E-7, Secaucus, NJ 07094 (201) 348-7621

Southeast Region:

1225 Northbrook Parkway, Ste 1-160, Suwanee, GA 30024 (770) 338-6835

Central Region:

1707 N Randall Road E1-C-1, Elgin, IL 60123 (847) 468-5200

WESTERN ZONE:

3330 Cahuenga Blvd W., Los Angeles, CA 90068 (323) 436-3500

Dallas Region:

6226 Abington Way, Houston, TX 77008 (713) 802-2726

No. CA/Northwest Region:

5870 Stoneridge, #3, Pleasanton, CA 94588 (925) 416-5108

Government Marketing Department:

52 West Gude Drive, Rockville, MD 20850 (301) 738-3840

Panasonic Canada Inc.

5770 Ambler Drive, Mississauga, Ontario L4W 2T3 (905) 624-5010

Panasonic Sales Company

Division of Matsushita Electric of Puerto Rico Inc.

San Gabriel Industrial Park, 65th Infantry Ave., Km. 9.5, Carolina, Puerto Rico 00630 (787) 750-4300

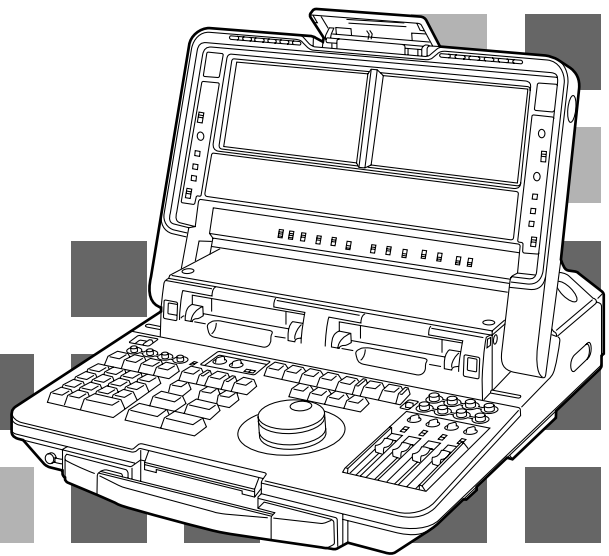
Panasonic

DVCPRO 50

Coordonnateur de montage portable

AJ-LT95P

Manuel d'utilisation



Utiliser l'adaptateur secteur AJ-B95 spécial.

P

Mise en garde:

“L’enregistrement non autorisé d’émissions de télévision, films, rubans magnétoscopiques ou autres, protégés par des droits d’auteur, peut enfreindre les droits de propriété et aller à l’encontre des dispositions de la loi sur les droits d’auteur”.

	ATTENTION RISQUE DE CHOCS ÉLECTRIQUES NE PAS OUVRIR	
ATTENTION: AFIN DE PRÉVENIR LE RISQUE DE CHOCS ÉLECTRIQUES, NE PAS RETIRER LES VIS. TOUTE RÉPARATION DEVRAIT ÊTRE CONFÉE À UN PERSONNEL COMPÉTENT.		



Le symbole de l'éclair dans un triangle équilatéral indique la présence d'une tension suffisamment élevée pour engendrer un risque de chocs électriques.



Le point d'exclamation dans un triangle équilatéral indique que le manuel d'instructions inclus avec l'appareil contient d'importantes recommandations quant au fonctionnement et à l'entretien de ce dernier.

ATTENTION :

Pour garantir une ventilation adéquate, ne pas installer ni placer l'appareil dans une étagère, à l'intérieur d'une armoire ou dans tout autre espace confiné. Pour éviter tout risque de choc électrique ou de feu dû à une surchauffe, veiller à ce qu'aucun rideau ni aucun autre matériau ne fassent obstacle à la ventilation.

MISE EN GARDE:

AFIN DE PRÉVENIR TOUT RISQUE D'INCENDIE OU DE CHOCS ÉLECTRIQUES, ÉVITER D'EXPOSER CET APPAREIL À LA PLUIE OU À UNE HUMIDITÉ EXCESSIVE.

ATTENTION:

AFIN DE PRÉVENIR TOUT RISQUE D'INCENDIE, DE CHOCS ÉLECTRIQUES OU D'INTERFÉRENCES, N'UTILISER QUE LES ACCESSOIRES RECOMMANDÉS.

ATTENTION:

POUR ÉVITER TOUT RISQUE DE FEU OU DE CHOC ÉLECTRIQUE, CONFIER LE RÉGLAGE DES COMMUTATEURS INTERNES À UN PERSONNEL QUALIFIÉ.

 indique les consignes de sécurité.

- Ne pas insérer les doigts ni des objets dans le logement de la cassette vidéo.
- Éviter d'utiliser ou de laisser l'appareil à proximité d'un champ magnétique puissant. Faire particulièrement attention aux grosses enceintes audio.
- Éviter d'utiliser ou de ranger l'appareil dans un environnement excessivement froid, chaud ou humide, car cela pourrait endommager à la fois le magnétoscope et le ruban.
- Ne pas vaporiser de produit de nettoyage ni de cire directement sur l'appareil.
- Si l'appareil ne doit pas être utilisé pendant longtemps, le protéger de la saleté et de la poussière.
- Ne pas laisser de cassette dans le magnétoscope lorsqu'il ne sert pas.
- Ne pas obstruer les événements d'aération de l'appareil.
- Utiliser l'appareil à l'horizontale et ne rien poser dessus.
- La cassette ne peut être utilisée que sur un seul côté et dans un seul sens. Les enregistrements sur les deux côtés et dans les deux sens ne sont pas possibles.
- La cassette peut être utilisée pour un enregistrement couleur ou monochrome.
- Ne pas tenter de démonter le magnétoscope. Il ne renferme aucune pièce qui soit réparable par l'utilisateur.
- Si du liquide se renverse à l'intérieur, faire vérifier l'appareil.
- Confier toute réparation à un personnel de réparation qualifié.

Table des matières

Caractéristiques	5	Préparatifs du ruban pour le montage	53
Ouverture et fermeture du panneau supérieur	6	Préparatifs du ruban pour le montage par assemblage	53
Les commandes et leurs fonctions	7	Enregistrement des titres de montage (caractères et symboles)	54
Section de commande	7	Préparatifs du ruban pour le montage par insertion	55
Section d'affichage du registre	9	Méthode utilisant le 1er montage	55
Section des commutateurs	12	Méthode utilisant l'enregistrement normal	55
Section de commande audio	14	Opérations de montage par coupure ..	56
Section des opérations de montage	17	Montage par assemblage	56
Section de commande de codeur	23	Montage par insertion	56
Section des connecteurs	24	Enregistrement des points de montage	57
Fonctionnement des menus de réglage	29	Visionnement préalable	58
Mémoire utilisateur et réglages usine	30	Exécution du montage	59
Enregistrement des réglages dans la mémoire utilisateur	30	Révision	59
Rappel des réglages enregistrés dans la mémoire utilisateur	30	Opérations de montage décalé	60
Rappel des réglages utilisateur (réinitialisation des menus)	30	Montage sans réglage du point d'entrée de montage (parcage et montage)	61
Menus de réglage	31	Montage utilisant uniquement le réglage du point d'entrée de montage (parcage et montage)	61
Menu SYSTEM	31	Montage par étiquetage automatique ..	61
Menu BASIC	32	Montage d'image fixe/montage de ralenti	62
Menu OPERATION	33	Fonction de saut de signal de base de temps	62
Menu INTERFACE	35	Enregistrement de voix hors champ ..	63
Menu EDIT	36	Enchaînement de voies audio	66
Menu TAPE PROTECT	40	Vérification des points de montage (IN, OUT, DUR, GO TO)	69
Menu TIME CODE	41	Modification et effacement des données de montage	70
Menu VIDEO	44		
Menu AUDIO	47		
Menu LCD	50		
Méthodes de fonctionnement	51		
Enregistrement des signaux d'entrée externes via le magnétoscope 1	51		
Enregistrement des signaux d'entrée externes via le magnétoscope 2	51		
Lecture via le magnétoscope 1, magnétoscope 2	52		

Table des matières

Enregistrement et rappel des données de montage71
Montage multi-événements72
LAST X/LAST ED/TOTAL73
Réglage du signal de base de temps (T SET)74
CORCT/TRACK/DISP77
Effacement des données de montage de la mémoire EDL78
Réglages du codeur79
Envoi (DUMP) et chargement (LOAD) des données de montage à un appareil externe81
Affichages en surimpression85
Messages d'erreur86
Nettoyage des têtes vidéo88
Condensation88
Entretien88
Données techniques89

Caractéristiques

Format compact et faible poids

Ce coordonnateur de montage est un système de montage intégré qui renferme deux magnétoscopes numériques DVCPRO 50, un contrôleur de montage, deux moniteurs à cristaux liquides et des haut-parleurs sous un même châssis. Il obéit à une conception compacte, légère et itinérante qui permet de le transporter en toute facilité et d'être prêt à effectuer tout travail de montage sur un bureau.

Montage par coupure

L'appareil est capable d'effectuer des montages par assemblage et des montages par insertion. Lors d'un montage par insertion, il est possible d'effectuer un montage séparé des signaux des quatre voies audio. Au format DVCPRO (25 Mbps), seules deux voies audio sont supportées.

Gamme complète de fonctions de montage

La section de commande de montage est équipée d'un clavier numérique pour permettre des opérations de montage plus évoluées. Les touches facilitent également le traitement des données de montage. Parmi les nombreuses fonctions de montage de l'appareil, signalons le montage audio par insertion, le montage d'image fixe/montage de ralenti, et le montage multi-événements.

Haute qualité d'image

Une haute qualité d'image est obtenue grâce à l'enregistrement de signaux à composantes 4:2:2 (DVCPRO 50) qui permet un taux d'enregistrement double du format DVCPRO existant (25 Mbps).

Deux formats DVCPRO supportés

L'appareil est également capable d'enregistrer et de lire des rubans au format DVCPRO existant (25 Mbps).

Systèmes 525i/625i commutables

Il est possible d'utiliser le système 525i (entrelacé) ou le système 625i par sélection sur un menu de réglage.

- Les dispositifs d'entrée de signaux à composantes analogiques et composites analogiques sont utilisés exclusivement pour le système 525i. Ils ne possèdent pas de fonction de conversion système.
- Le montage via le système 625i est limité au montage faisant intervenir des raccordements internes magnétoscope 1 ➔ magnétoscope 2.

Cassettes L et M acceptées, enregistrement de 92 minutes maximum

Les cassettes L permettent 92 minutes d'enregistrement (avec une cassette AJ-5P92LP). Au format DVCPRO (25 Mbps), il est possible d'obtenir une durée d'enregistrement de 184 minutes (avec une cassette AJ-P184LP).

Interface SDI

L'appareil est équipé en standard d'une interface numérique série 4:2:2.

Interfaces d'entrée/sortie fonctionnelles

- Dispositifs d'entrée/sortie analogiques:
Les deux magnétoscopes sont dotés de connecteurs d'entrée et de sortie vidéo (composites/composantes) et audio. Il n'est pas possible de recevoir des signaux vidéo analogiques en mode 625i.
- Connecteur de télécommande 9 contacts: (mode 525i seulement)
Les deux magnétoscopes sont dotés de connecteurs de télécommande 9 contacts pour permettre à l'appareil de commander un contrôleur externe par télécommande. Le connecteur de télécommande 9 contacts du magnétoscope 1 peut être commuté sur OUT, et un magnétoscope externe peut être commandé par le système de commande du magnétoscope 1.
- Dispositifs d'entrée et de sortie de signal de base de temps:
L'appareil est doté d'un connecteur d'entrée de signal de base de temps qui permet de synchroniser les deux générateurs de signal de base de temps du magnétoscope 1 et du magnétoscope 2 sur un signal de base de temps externe. Le magnétoscope 1 et le magnétoscope 2 possèdent chacun un connecteur de sortie de signal de base de temps.

Moniteurs à cristaux liquides grand écran de 7 pouces

Réglage des paramètres à l'écran

Les réglages hautement individualisés s'effectuent à l'écran.

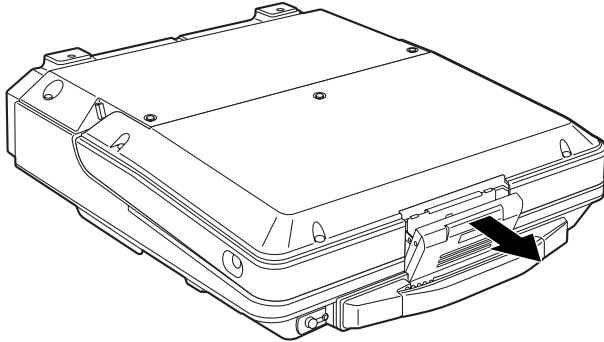
Affichages centralisés utilisant des tubes d'affichage fluorescents

Les tubes d'affichage fluorescents, faciles à lire même dans les endroits mal éclairés, permettent d'afficher les compteurs, les décibelmètres, les modes de magnétoscope et autres états. Cela veut dire que tous les affichages sont regroupés dans un endroit central.

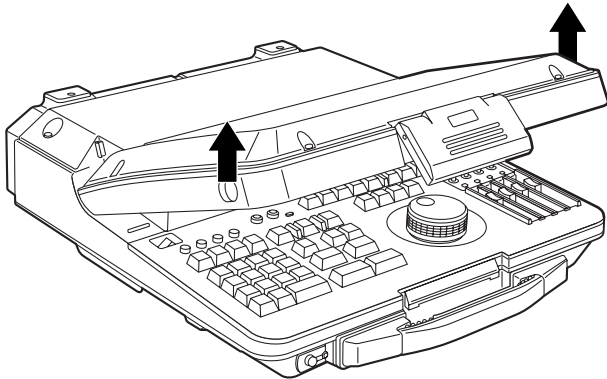
Ouverture et fermeture du panneau supérieur

Ouverture du panneau supérieur

1 Tirer la partie supérieure du levier vers l'avant pour libérer le verrou.

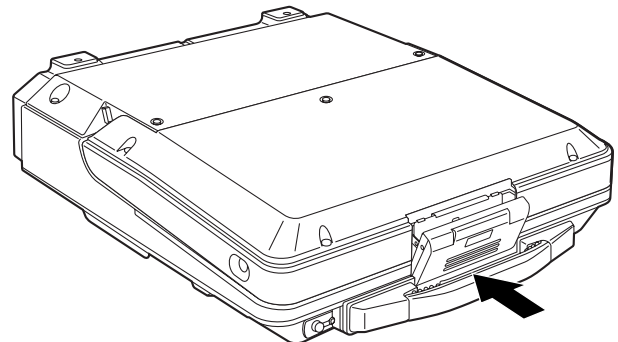


2 Saisir les deux côtés du panneau supérieur et lever le panneau pour l'ouvrir.
<Remarque>
Ne pas essayer de soulever le panneau en tirant le levier vers le haut.

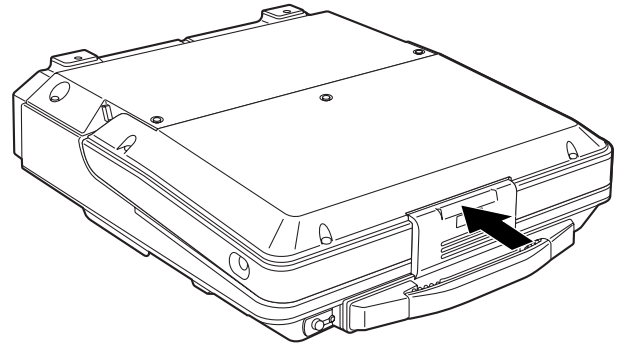


Fermeture du panneau supérieur

1 Pousser le panneau supérieur vers le bas pour le fermer et engager la partie inférieure du levier.

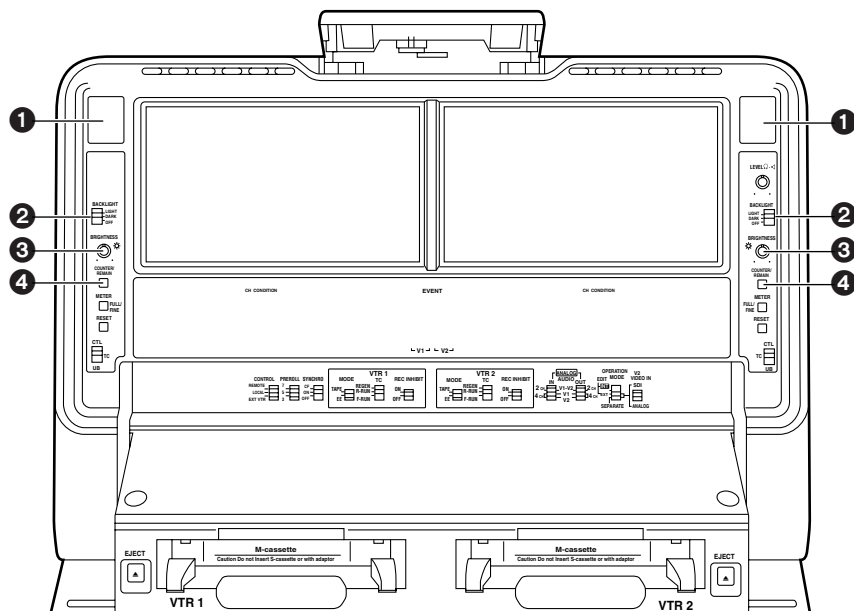


2 La partie inférieure du levier étant engagée, appuyer sur la partie supérieure du levier pour le verrouiller.



<Remarque>
Faire attention de ne pas se pincer les doigts lors de l'ouverture et de la fermeture du panneau supérieur.

Les commandes et leurs fonctions



Section de commande

1 Haut-parleurs de contrôle sonore

Le son des signaux du magnéscope 1 (ou du magnéscope 2) à contrôler est envoyé par le haut-parleur du magnéscope 1 (ou du magnéscope 2).

Selon la position des commutateurs AUDIO MONITOR SELECT, c'est le son du magnéscope 1 ou du magnéscope 2 qui est envoyé.

2 Commutateur d'écran à cristaux liquides

Il tient lieu d'interrupteur du moniteur à cristaux liquides, et il permet de sélectionner la luminosité du rétroéclairage de l'affichage.

LIGHT: Pour augmenter la luminosité du rétroéclairage de l'affichage.

DARK: Pour diminuer la luminosité du rétroéclairage de l'affichage.

OFF: Pour éteindre le moniteur à cristaux liquides.

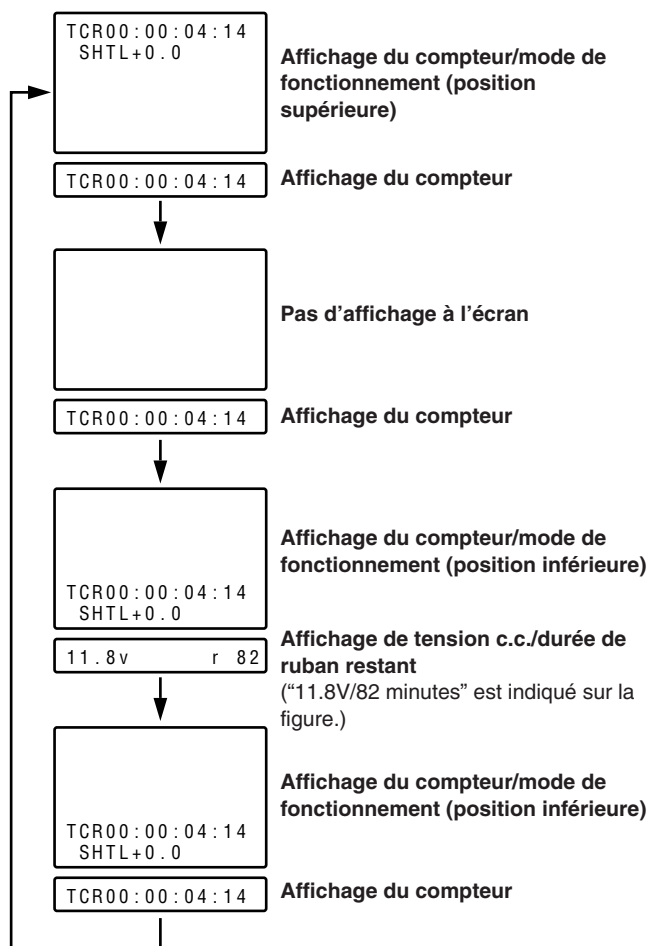
3 Commande luminosité (BRIGHTNESS)

Elle permet de régler la luminosité du moniteur à cristaux liquides.

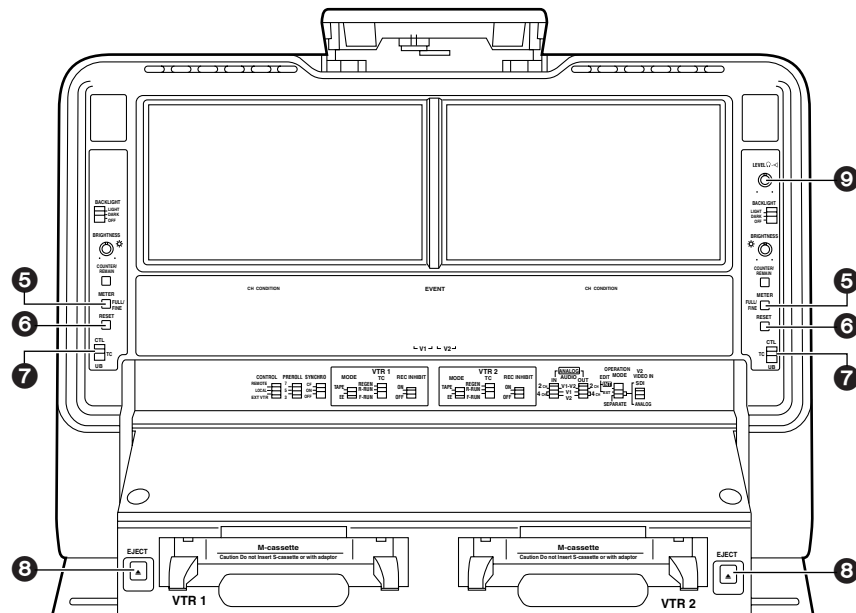
4 Commutateur compteur/durée restante (COUNTER/REMAIN)

Il permet de régler les données à afficher dans le registre, ainsi que l'emplacement de l'affichage en surimpression à l'écran du moniteur.

Chaque pression sur la touche change l'affichage dans la séquence ci-dessous.



Les commandes et leurs fonctions



Section de commande

5 Touche décibelmètre (METER)

Une pression maintenue sur cette touche règle le décibelmètre en mode fin. (Voir page 10.)

6 Touche réinitialisation (RESET)

Elle permet de réinitialiser le registre CTL.

7 Commutateur compteur (COUNTER)

CTL: Le compte des impulsions CTL après réinitialisation est affiché dans la section d'affichage du compteur. Il se réinitialise avec la touche RESET.

TC: Le signal de base de temps qui est lu est affiché. Il ne se réinitialise pas avec la touche RESET.

UB: Les bits de l'utilisateur du signal de base de temps qui est lu sont affichés.

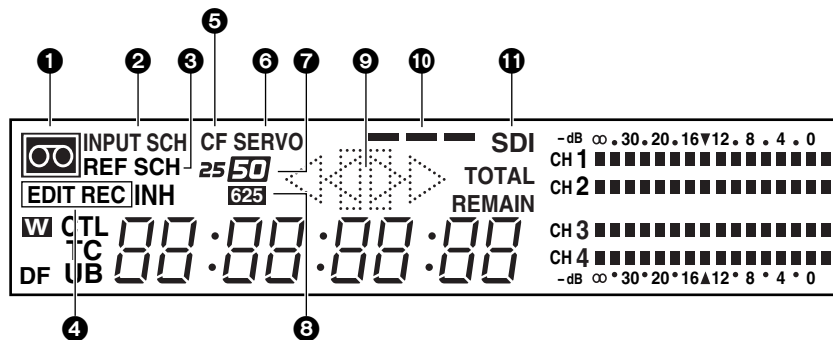
8 Touche éjection (EJECT)

Appuyer sur cette touche pour éjecter la cassette.

9 Commande niveau (LEVEL)

Elle permet de régler le niveau de sortie des haut-parleurs internes et du casque d'écoute.

Les commandes et leurs fonctions



Section d'affichage du compteur

1 Affichage "Cassette insérée"

Il s'éclaire lorsque la cassette est insérée.
Il clignote lorsque l'appareil est en mode annulation d'attente (STANDBY OFF).

2 Voyant INPUT SCH

INPUT s'éclaire lorsque les signaux vidéo sont envoyés par une source externe.
SCH s'éclaire également lorsque la phase SC-H (sous-porteuse à horizontal) correspond et que des signaux composites analogiques sont envoyés.

3 Voyant REF SCH

REF s'éclaire lorsque le signal référence est envoyé au connecteur REF VIDEO IN.
SCH s'éclaire également lorsque la phase SC-H correspond et que le signal référence est envoyé.

4 Voyant EDIT REC/REC/REC INH

EDIT REC: Il s'éclaire lorsque l'appareil est en mode enregistrement de montage.
REC: Il s'éclaire lorsque l'appareil est en mode enregistrement.
REC INH: Il s'éclaire lorsque l'appareil est en mode interdiction d'enregistrement.

5 Voyant CF

Il s'éclaire lorsque le cadrage couleur est verrouillé.

6 Voyant SERVO

Il s'éclaire lorsque l'asservissement est verrouillé.

7 Voyants 25/50

25: Il s'éclaire lors d'un enregistrement ou d'une lecture DVCPRO (mode 25 Mbps).
50: Il s'éclaire lors d'un enregistrement ou d'une lecture DVCPRO (mode 50 Mbps).

8 Voyant 625

Il s'éclaire lorsque le système de télévision 625i est sélectionné.

9 Modes de fonctionnement

- ▶ : Pour une lecture et un enregistrement normaux.
- ◻▶ : Pour une lecture à une vitesse inférieure à la vitesse normale (1 fois).
- ◻◻▶ : Pour une lecture à une vitesse supérieure à la vitesse 1 fois.
- ▶▶ : Pour une avance accélérée.
- ◀ : Pour une lecture en sens inverse à la vitesse 1 fois.
- ◀◻ : Pour une lecture en sens inverse à une vitesse inférieure à la vitesse 1 fois.
- ◀◻◻ : Pour une lecture en sens inverse à une vitesse supérieure à la vitesse 1 fois.
- ◀◀ : Pour un rebobinage.
- ◻◻ : Pour une pause/arrêt sur image.

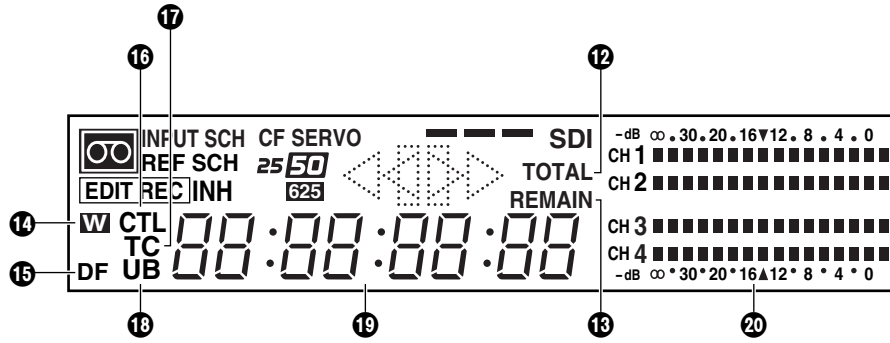
10 Voyants d'état des voies (Vert ▶ Bleu ▶ Rouge)

- Vert:** Il s'éclaire lorsque le taux d'erreur des signaux de lecture vidéo ou des signaux de lecture audio est acceptable.
- Bleu:** Il s'éclaire lorsque le taux d'erreur des signaux de lecture vidéo ou des signaux de lecture audio s'est détérioré.
L'image et le son de lecture sont normaux même si le voyant est éclairé.
- Rouge:** Il s'éclaire lorsque le taux d'erreur des signaux de lecture vidéo ou des signaux de lecture audio a subi une correction ou une interpolation.

11 Voyant SDI

Les signaux du magnétoscope pour lequel ce voyant est éclairé sont envoyés par le connecteur SDI OUT.
Le magnétoscope 1 ou le magnétoscope 2 se sélectionnent à la rubrique n° 174 (SDI OUT) du menu de réglage.

Les commandes et leurs fonctions



Section d'affichage du compteur

12 Voyant TOTAL

Il s'éclaire lorsque la durée de montage totale restante est affichée.

13 Voyant REMAIN

Il s'éclaire lorsque la durée de ruban restant est affichée.

14 Voyant W

Il s'éclaire en mode grand écran.

15 Voyant DF

Il s'éclaire en mode "Drop Frame".

16 Voyant CTL

Il s'éclaire lorsque le compteur de temps sert de compteur CTL.

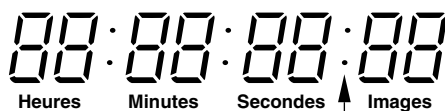
17 Voyant TC

Il s'éclaire lorsque le compteur de temps affiche le signal de base de temps.

18 Voyant UB

Il s'éclaire lorsque le compteur de temps affiche les bits de l'utilisateur.

19 Affichage du compteur de temps

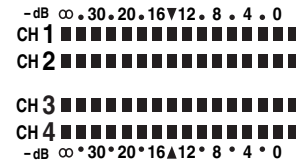


En mode "Non Drop Frame":

En mode "Drop Frame":

La lecture du signal de base de temps n'est pas possible:

20 Décibelmètre



Une pression sur la touche METER règle le décibelmètre en mode fin.

En utilisant la marque ▼ comme niveau référence (-20 dB pour le mode 525i ; -18 dB pour le mode 625i), les incréments d'échelle se règlent à intervalles de 1 dB.

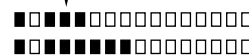
Au niveau référence, les signaux audio peuvent être envoyés par une source externe et leur niveau d'enregistrement réglé.

Lors de la lecture d'un ruban vierge ou de la section non enregistrée d'un ruban, d'une avance accélérée ou d'un rebobinage, le décibelmètre se règle en mode affichage de position de ruban, et la position de défilement actuelle du ruban est indiquée en pourcentage.

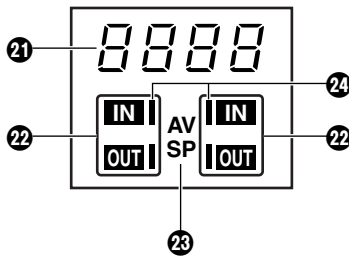
Exemple d'affichage:

Le ruban défile, et il a atteint une position équivalente à 36% du ruban depuis son début.

Incréments d'échelle indiquant le chiffre des dizaines du pourcentage: 3



Incréments d'échelle indiquant le chiffre des unités du pourcentage: 6



Section d'affichage du compteur

21 Voyants d'affichage de numéro d'événement

L'appareil est capable de contrôler jusqu'à 200 jeux de données de montage (001 à 200) sous forme de numéros d'événement à 3 chiffres. L'un des affichages suivants apparaît selon l'état du montage.

n###: Indique que l'événement n°### est un nouvel événement qui n'a pas été enregistré dans la liste EDL (liste de montage). (Nouvel événement)

d###: Indique que l'événement n°### est un événement qui a été supprimé de la liste EDL.

###: Indique que l'événement n°### a été enregistré dans la liste EDL.

FULL: Indique que les 200 événements ont tous été enregistrés.

----: Indique que le commutateur de télécommande ou le commutateur OPERATION MODE a été placé à la position SEPARATE.

rSt: Apparaît lorsque l'appareil a été réinitialisé après l'établissement du contact.

r###: Indique que l'événement n°### est un événement qui a été monté.

22 Voyants d'affichage de réglage des points de montage (voyants IN/OUT)

Le voyant correspondant au type du point de montage réglé s'éclaire.

23 Voyants d'affichage de montage décalé (voyants A SP, V SP)

Ces voyants s'éclairent lorsque le montage décalé est réglé.

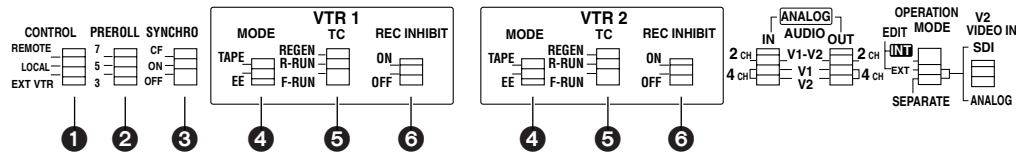
Placer la rubrique n° 375 (SPLIT EDIT) du menu de réglage à la position AUDIO et enregistrer le point de montage décalé. Le voyant A SP s'éclaire pour indiquer que le mode montage décalé audio est établi.

Pareillement, placer la rubrique à la position VIDEO et enregistrer le point de montage décalé ; le voyant V SP s'éclaire pour indiquer que le mode montage décalé vidéo est établi.

24 Voyants d'affichage de réglage du point de montage décalé

Ils sont positionnés à côté des voyants IN, et ils s'éclairent pour le magnétoscope utilisé pour le réglage du point de montage automatique décalé.

Les commandes et leurs fonctions



Section des commutateurs

① Commutateur de commande (CONTROL)

REMOTE: Pour la commande de l'appareil via le connecteur REMOTE (9 contacts).

LOCAL: Pour la commande de l'appareil via les commandes de son panneau avant.

EXT VTR: Pour la commande d'un magnétoscope externe via les commandes du panneau avant de l'appareil. Le magnétoscope raccordé au connecteur 9 contacts du magnétoscope 1 pourra être piloté via le système de télécommande du magnétoscope 1.

<Remarque>

Ce commutateur est impérativement placé à la position LOCAL en mode 625i.

② Commutateur de prédéfilement (PREROLL)

Il permet de régler la durée de prédéfilement à 3, 5 ou 7 secondes.

Lorsque la synchronisation de phase ne satisfait pas cet objectif ou que le montage a échoué, ou pour toute autre raison, la durée de prédéfilement se règle automatiquement à la durée la plus longue. (Si le réglage a été effectué à 7 secondes, il restera réglé comme durée de prédéfilement.)

③ Commutateur de synchronisation (SYNCHRO)

Il permet de régler la synchronisation de phase et/ou le cadrage couleur.

CF: Une synchronisation de phase et un cadrage couleur s'effectuent.

ON: Une synchronisation de phase s'effectue mais pas le cadrage couleur.

OFF: La synchronisation de phase ne s'effectue pas.

④ Commutateur de ruban/image électronique (TAPE/EE)

Il permet de sélectionner les signaux à envoyer en mode arrêt, avance accélérée ou rebobinage.

TAPE: Les signaux du ruban sont envoyés.

EE: Les signaux d'entrée de l'entrée commutée sont envoyés.

⑤ Commutateur de signal de base de temps (TC)

REGEN: Le générateur de signal de base de temps intégré est synchronisé sur le signal de base de temps sélectionné à la rubrique n° 570 (REGEN SEL) du menu de réglage.

R-RUN: Le signal de base de temps n'avance que pendant l'enregistrement. (Il est possible de le prérégler.)

F-RUN: Le signal de base de temps avance quel que soit le mode de fonctionnement, tant que le contact est établi. (Il est possible de le prérégler.)

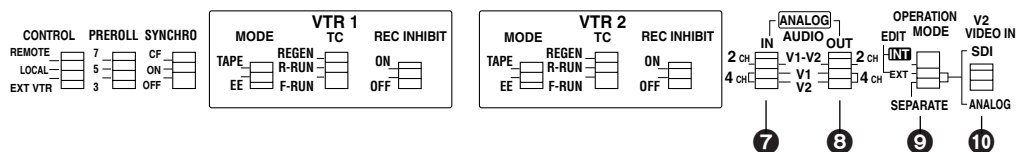
⑥ Commutateur d'interdiction d'enregistrement (REC INHIBIT)

Il permet de sélectionner si les signaux doivent être enregistrés sur la cassette.

ON: L'enregistrement sur la cassette est interdit. A ce moment, le voyant REC INH s'éclaire sur le registre.

OFF: L'enregistrement sur la cassette est possible à condition que le mécanisme de prévention d'effacement accidentel de la cassette soit placé à une position permettant l'enregistrement.

Les commandes et leurs fonctions



Section des commutateurs

7 Commutateur d'entrée audio analogique (ANALOG AUDIO IN)

Il permet de régler l'allocation des signaux audio aux 4 connecteurs d'entrée audio analogiques (sur le panneau arrière).

V1-V2 (2ch): Sur les 4 entrées, deux sur le côté magnétoscope 1 sont envoyées aux connecteurs d'entrée du magnétoscope 1, et deux sur le côté magnétoscope 2 sont envoyées aux connecteurs d'entrée du magnétoscope 2.

V1 (4ch): Les 4 entrées sont allouées aux 4 voies du magnétoscope 1.

V2 (4ch): Les 4 entrées sont allouées aux 4 voies du magnétoscope 2.

8 Commutateur de sortie audio analogique (ANALOG AUDIO OUT)

Il permet de régler l'allocation des signaux audio aux 4 connecteurs de sortie audio analogiques (sur le panneau arrière).

V1-V2 (2ch): Sur les 4 sorties, deux sur le côté magnétoscope 1 sont envoyées aux connecteurs de sortie du magnétoscope 1, et deux sur le côté magnétoscope 2 sont envoyées aux connecteurs de sortie du magnétoscope 2.

V1 (4ch): Les 4 sorties sont allouées aux 4 voies du magnétoscope 1.

V2 (4ch): Les 4 sorties sont allouées aux 4 voies du magnétoscope 2.

9 Commutateur de mode de fonctionnement (OPERATION MODE)

INT: Dans ce mode, le montage du magnétoscope 1 sur le magnétoscope 2 est effectué via les raccordements internes.

L'enregistrement sur le magnétoscope 1 est interdit.

EXT: Dans ce mode, le montage du magnétoscope 1 sur le magnétoscope 2 est effectué via les raccordements analogiques externes.

L'enregistrement sur le magnétoscope 1 est interdit.

SEPARATE:

Dans ce mode, le magnétoscope 1 et le magnétoscope 2 fonctionnent de façon indépendante.

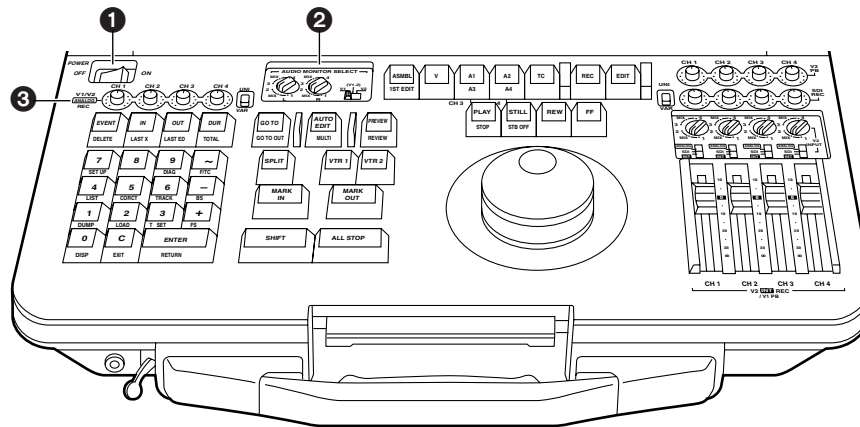
10 Sélecteur d'entrée vidéo du magnétoscope 2 (V2 VIDEO)

Il permet de sélectionner l'entrée vidéo du magnétoscope 2 lorsque le commutateur OPERATION MODE est placé à la position EXT ou SEPARATE.

SDI: Les signaux vidéo numériques série sont entrés.

ANALOG: Les signaux vidéo analogiques sont entrés.

Les commandes et leurs fonctions



Section de commande AUDIO

① Interrupteur POWER

Il permet de commander le contact de l'appareil.

② Commutateurs de sélection de contrôle sonore (AUDIO MONITOR SELECT)

Ils permettent de sélectionner la sortie de contrôle sonore et la sortie des haut-parleurs.

● Commutateur V1/V1•2/V2

V1: Le son du magnéscope 1 est envoyé aux voies gauche et droite.

V1•2: Le son du magnéscope 1 est envoyé à la voie gauche et le son du magnéscope 2 est envoyé à la voie droite.

V2: Le son du magnéscope 2 est envoyé aux voies gauche et droite.

● Commutateur L (V1), commutateur R (V2)

Le son de la voie audio sélectionnée est envoyé à la voie gauche (ou droite). Lors d'un mixage entre 1 et 2, les signaux mélangés de la voie 1 et de la voie 2 sont envoyés ; lors d'un mixage entre 3 et 4, les signaux mélangés de la voie 3 et de la voie 4 sont envoyés.

③ Commandes de niveau d'enregistrement audio analogique et commutateur UNI/VAR

A chaque connecteur d'entrée audio analogique (XLR) du panneau arrière correspond une commande de niveau.

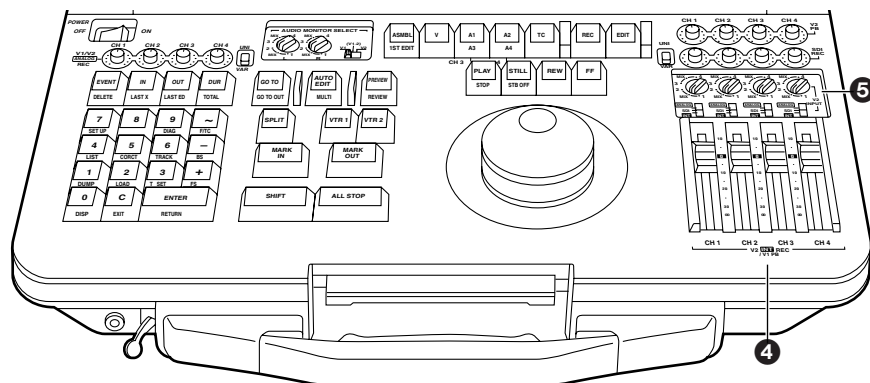
Lorsque le commutateur UNI/VAR est placé à la position VAR, il est possible de régler le niveau d'enregistrement audio séparément pour chaque voie.

Lorsqu'il est placé à la position UNI, les niveaux sont fixés à leur valeur initiale, quelle que soit la position des commandes de niveau.

<Remarque>

Si V2 IN a été sélectionné à la rubrique n° 172 (VTR1 IN SEL) du menu de réglage et que le même son doit être enregistré sur le magnéscope 1 et sur le magnéscope 2, le niveau d'enregistrement des deux magnétoscopes 1 et 2 se règle avec ces commandes. (Il n'est pas possible de régler le niveau d'enregistrement audio séparément pour le magnéscope 1 et pour le magnéscope 2.)

Les commandes et leurs fonctions



Section de commande AUDIO

④ Commandes niveau de lecture audio du magnétoscope 1 (V1) /niveau d'enregistrement audio interne (V2 INT) du magnétoscope 2

Ces commandes permettent de régler le niveau audio de lecture du magnétoscope 1 pour chaque voie.

Elles permettent également de régler le volume pendant un montage du magnétoscope 1 sur le magnétoscope 2.

Les commandes à curseur permettent d'effectuer des réglages fins et continus.

La position marquée "0" représente le niveau référence.

(-20 dB pour le mode 525i ; -18 dB pour le mode 625i)

⑤ Sélecteurs d'entrée audio du magnétoscope 2 (V2 AUDIO)

Ils permettent de sélectionner le son à envoyer aux voies audio du magnétoscope 2.

● Commutateur INT/SDI/ANALOG

INT: Les signaux audio du magnétoscope 1 sont envoyés au magnétoscope 2 via le raccordement numérique interne. Il est possible de régler leur niveau avec les commandes de niveau ④.

SDI: Les signaux audio intégrés SDI, qui ont été envoyés au connecteur SDI, sont envoyés au magnétoscope 2. Il est possible de régler leur niveau avec les commandes de niveau ⑥.

ANALOG:

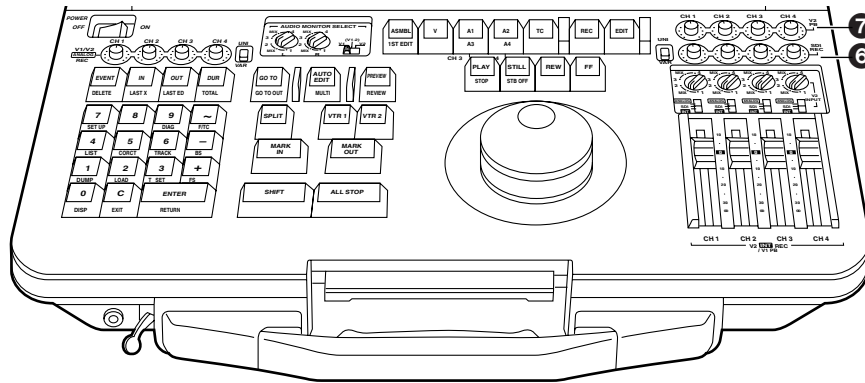
Les signaux analogiques qui ont été entrés sont envoyés au magnétoscope 2. Il est possible de régler leur niveau avec les commandes de niveau ③.

● Sélecteurs de voies

Les signaux audio sélectionnés avec le commutateur INT/SDI/ANALOG sont envoyés aux voies du magnétoscope 2 sélectionnées par ces sélecteurs.

Lors d'un mixage entre 1 et 2, les signaux mélangés de la voie 1 et de la voie 2 sont entrés; lors d'un mixage entre 3 et 4, les signaux mélangés de la voie 3 et de la voie 4 sont entrés.

Les commandes et leurs fonctions



Section de commande AUDIO

⑥ Commandes de niveau d'enregistrement audio SDI et commutateur UNI/VAR

A chaque voie du son en surimpression entré par le connecteur entrée SDI (sur le panneau arrière) correspond une commande de niveau.

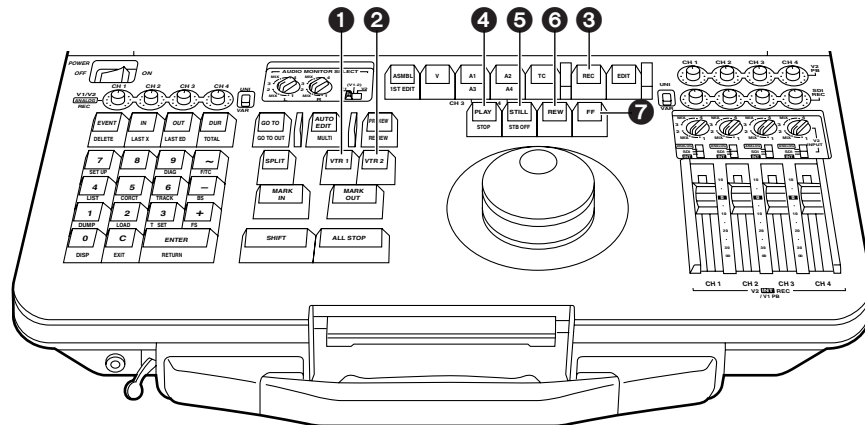
Lorsque le commutateur UNI/VAR est placé à la position VAR, il est possible de régler le niveau d'enregistrement audio séparément pour chaque voie.

Lorsqu'il est placé à la position UNI, les niveaux sont fixés à leur valeur initiale, quelle que soit la position des commandes de niveau.

⑦ Commandes de niveau de lecture audio du magnéscope 1 (V2)

Ces commandes permettent de régler le niveau audio de lecture du magnéscope 2 pour chaque voie.

Les commandes et leurs fonctions



Section des opérations de montage

1 Sélecteur de magnéscope 1 (VTR1)

Appuyer sur cette touche pour effectuer les réglages ou les opérations relatifs au montage du magnéscope 1.

Vérifier que ce témoin électroluminescent est éclairé avant de procéder aux réglages ou aux opérations relatifs au montage du magnéscope 1.

2 Sélecteur de magnéscope 2 (VTR2)

Appuyer sur cette touche pour effectuer les réglages ou les opérations relatifs au montage du magnéscope 2.

Vérifier que ce témoin électroluminescent est éclairé avant de procéder aux réglages ou aux opérations relatifs au montage du magnéscope 2.

<Remarque>

Le mode fonctionnement simultané des magnétoscopes 1 et 2 s'établit en appuyant simultanément sur ([SHIFT] + [VTR1]) ou ([SHIFT] + [VTR2]), et les deux témoins électroluminescents 1 et 2 s'éclairent.

Pour libérer le mode fonctionnement simultané, appuyer sur la touche VTR1 ou VTR2.

En mode fonctionnement simultané, il n'est pas possible de régler simultanément les paramètres de montage et les paramètres des menus.

3 Touche enregistrement (REC)

Pour placer manuellement l'appareil en mode enregistrement, appuyer sur cette touche en même temps que sur la touche PLAY.

L'enregistrement sur le magnéscope 1 n'est possible que si le commutateur OPERATION MODE a été placé à la position SEPARATE.

Lorsque la touche est pressée alors que le commutateur REC INHIBIT est placé à la position OFF, le mode E-E sera établi pour les signaux vidéo/audio de la voie 1 à la voie 4, tant que la pression est maintenue sur la touche.

4 Touche lecture (arrêt) [PLAY (STOP)]

PLAY: Appuyer sur cette touche pour mettre le magnéscope en mode lecture.

STOP ([SHIFT] + [PLAY]):

Pour mettre le magnéscope en mode STOP, appuyer sur la touche PLAY tout en maintenant la pression sur la touche SHIFT.

5 Touche arrêt sur image (annulation d'attente) [STILL (STBY OFF)]

STILL: Appuyer sur cette touche pour mettre le magnéscope en mode arrêt sur image.

STBY OFF ([SHIFT] + [STILL]):

Pour libérer le mode attente lorsque le mode arrêt sur image ou arrêt est établi, appuyer sur la touche STILL tout en maintenant la pression sur la touche SHIFT.

6 Touche rebobinage (REW)

Appuyer sur cette touche pour rebobiner le ruban.

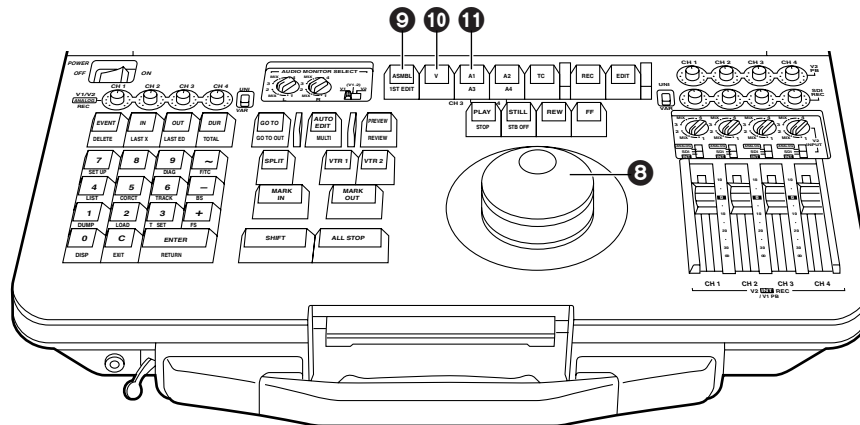
7 Touche avance accélérée (FF)

Appuyer sur cette touche pour avancer rapidement le ruban.

<Remarque>

Le défilement du ruban s'arrête lorsque les deux touches REW et FF sont pressées en même temps.

Les commandes et leurs fonctions



Section des opérations de montage

8 Commande repérage

Elle permet de commander le défilement du ruban. Elle sert également à repérer les points de montage ou à lire le ruban.

Le mode repérage proportionnel est établi lorsque la commande est "ressortie" (haut), et le mode repérage progressif est établi lorsque la commande est pressée.

Chaque pression sur la commande fait alterner l'appareil entre les deux modes.

9 Touche assemblage (1er montage) [ASMBL (1ST EDIT)]

ASMBL:

Appuyer sur cette touche pour débuter le montage par assemblage.

Vérifier que son témoin électroluminescent est éclairé avant de procéder au montage.

1ST EDIT ([SHIFT] + [ASMBL]):

La cassette de montage doit avoir des signaux de save de noir, un signal de base de temps ou des signaux de commande enregistrés préalablement sur le ruban. Pour débuter le 1er montage, appuyer sur la touche ASMBL tout en maintenant la touche SHIFT pressée.

Pour les détails, voir page 53 ("Préparatifs du ruban pour le montage").

10 Touche V

Appuyer sur cette touche pour débuter le montage par insertion vidéo.

Vérifier que son témoin électroluminescent est éclairé avant de procéder au montage.

11 Touche A1 (A3)

A1: Appuyer sur cette touche pour débuter le montage par insertion audio de la voie 1.

Vérifier que son témoin électroluminescent est éclairé avant de procéder au montage.

A3 ([SHIFT] + [A1]):

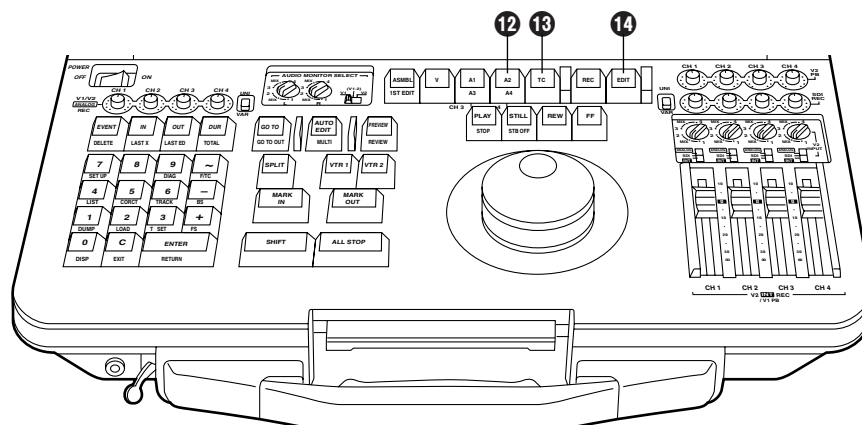
Pour débuter le montage par insertion audio de la voie 3, appuyer sur la touche A1 tout en maintenant la touche SHIFT pressée.

Vérifier que son témoin électroluminescent est éclairé avant de procéder au montage.

<Remarque>

Le témoin électroluminescent A3 s'éclaire également en mode 25 Mbps, mais les opérations de montage de la voie 3 ne sont pas possibles.

Les commandes et leurs fonctions



Section des opérations de montage

12 Touche A2 (A4)

A2: Appuyer sur cette touche pour débuter le montage par insertion audio de la voie 2.

Vérifier que son témoin électroluminescent est éclairé avant de procéder au montage.

A4 ([SHIFT] + [A2]):

Pour débuter le montage par insertion audio de la voie 4, appuyer sur la touche A2 tout en maintenant la touche SHIFT pressée.

Vérifier que son témoin électroluminescent est éclairé avant de procéder au montage.

<Remarque>

Le témoin électroluminescent A4 s'éclaire également en mode 25 Mbps, mais les opérations de montage de la voie 4 ne sont pas possibles.

13 Touche signal de base de temps (TC)

Appuyer sur cette touche pour débuter le montage par insertion du signal de base de temps.

Vérifier que son témoin électroluminescent est éclairé avant de procéder au montage.

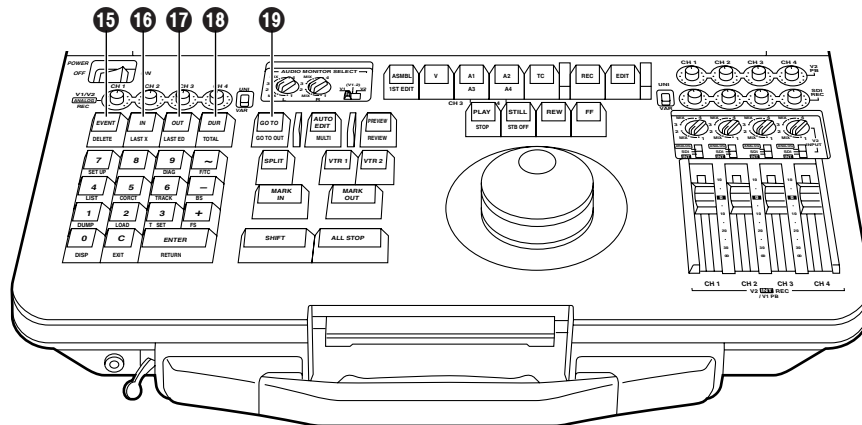
14 Touche montage (EDIT)

Lorsque cette touche est pressée pendant une lecture sur le magnétoscope 2, le mode E-E est établi conformément au mode de montage sélectionné (ASMBL, A1, A2, A3, A4 ou TC) tout le temps que la touche est maintenue pressée. (Sélection E-E)

Lorsqu'elle est pressée en même temps que la touche PLAY pendant une lecture sur le magnétoscope 2, le montage débute au mode de montage sélectionné (ASMBL, A1, A2, A3, A4 ou TC) tout le temps que la touche est maintenue pressée. (Montage manuel).

Pour quitter le montage manuel, appuyer sur la touche ALL STOP.

Les commandes et leurs fonctions



Section des opérations de montage

15 Touche événement (EVENT)

EVENT:

Pour modifier le numéro des événements, appuyer sur cette touche, puis entrer le numéro d'événement avec les touches numériques, et appuyer sur la touche ENTER.

DELETE ([SHIFT] + [EVENT]):

Appuyer sur cette touche pour supprimer un événement qui a été enregistré.

"d" est indiqué à la section d'affichage du numéro d'événement.

16 Touche IN (LAST X)

IN: Appuyer sur cette touche pour régler ou afficher un point d'entrée (IN) de montage.

LAST X ([SHIFT] + [IN]):

Pour ré-enregistrer un événement qui a été supprimé, appuyer sur cette touche tout en maintenant la pression sur la touche SHIFT. L'indication "d" disparaît.

17 Touche OUT (LAST ED)

OUT:

Appuyer sur cette touche pour régler ou afficher un point de sortie (OUT) de montage.

LAST ED ([SHIFT] + [OUT]):

Pour revenir aux données préalablement visionnées, appuyer sur cette touche tout en maintenant la pression sur la touche SHIFT.

18 Touche DUR (TOTAL)

DUR:

Appuyer sur cette touche pour régler ou afficher la durée.

TOTAL ([SHIFT] + [DUR]):

Pour afficher la durée totale du montage à l'affichage du magnétoscope 2, appuyer sur cette touche tout en maintenant la pression sur la touche SHIFT.

19 Touche GO TO (GO TO OUT)

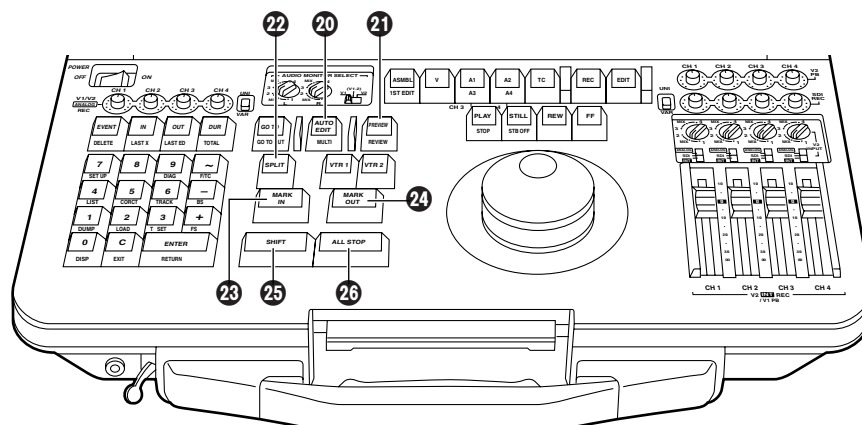
GO TO:

Appuyer sur cette touche pour repérer le point d'entrée de montage sur un ruban dont le point d'entrée de montage a déjà été réglé.

GO TO OUT ([SHIFT] + [GO TO]):

Pour repérer le point de sortie de montage sur un ruban dont le point de sortie de montage a déjà été réglé, appuyer sur cette touche tout en maintenant la pression sur la touche SHIFT.

Les commandes et leurs fonctions



Section des opérations de montage

20 Touche AUTO EDIT (MULTI END)

AUTO EDIT/END:

Appuyer sur cette touche pour débuter le montage automatique. Lorsque le montage est débuté sans que le point de sortie ait été réglé (montage ouvert), appuyer sur cette touche pour mettre fin au montage et enregistrer le point auquel la touche est pressée comme point de sortie.

MULTI EDIT ([SHIFT] + [AUTO EDIT]):

Appuyer sur cette touche tout en maintenant la pression sur la touche SHIFT pour débuter le montage multi-événements. Le montage multi-événements s'effectue automatiquement jusqu'à ce que le dernier événement soit monté ou jusqu'à ce que l'opération soit impérativement terminée par pression de la touche ALL STOP.

21 Touche PREVIEW (REVIEW)

PREVIEW:

Appuyer sur cette touche pour faire une répétition du montage.

REVIEW ([SHIFT] + [PREVIEW]):

Appuyer sur cette touche tout en maintenant la pression sur la touche SHIFT pour voir le résultat du montage.

22 Touche montage décalé (SPLIT)

Appuyer sur cette touche pour débuter le montage décalé.

Vérifier que son témoin électroluminescent est éclairé avant de procéder au montage.

23 Touche marquage de point d'entrée (MARK IN)

Appuyer sur cette touche pour régler un point d'entrée de montage en lisant le signal de base de temps ou le signal de commande du magnétoscope.

Appuyer sur cette touche tout en maintenant la pression sur la touche SHIFT pour régler le point d'entrée de montage.

24 Touche marquage de point de sortie (MARK OUT)

Appuyer sur cette touche pour régler un point de sortie de montage en lisant le signal de base de temps ou le signal de commande du magnétoscope.

25 Touche SHIFT

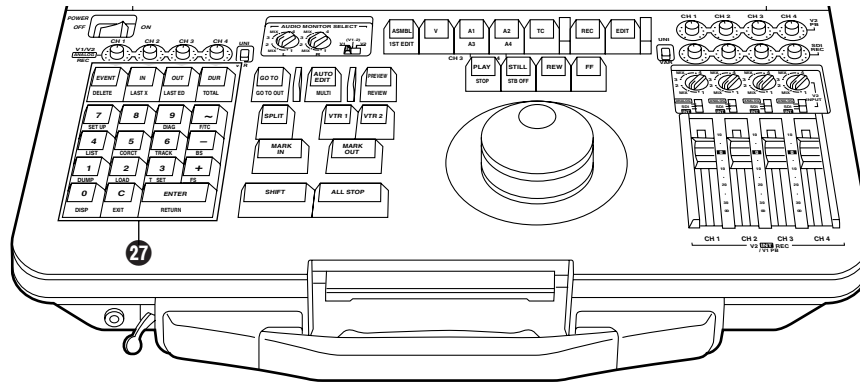
Pour pouvoir utiliser les fonctions indiquées en bas des touches, appuyer sur la touche en question tout en maintenant la pression sur la touche SHIFT.

26 Touche arrêt général (ALL STOP)

Appuyer sur cette touche pour arrêter toutes les opérations du magnétoscope.

Pendant un montage (PREVIEW, EDIT REVIEW), l'opération de montage en question est interrompue.

Les commandes et leurs fonctions



Section des opérations de montage

27 Touches d'entrée numériques

0, 1, 2, 3, 4, 5, 6, 7, 8, 9 :

Elles permettent de régler les données de montage, etc. en entrant les valeurs numériques des données.

C :

Elle permet d'effacer les valeurs numériques ou les autres données entrées.

+/- :

Elles permettent de modifier les données de montage ou les réglages en mode configuration, etc.

ENTER :

Elle permet d'entrer les données de montage, etc., par exemple les valeurs numériques.

DISP ([SHIFT] + [0]) :

Elles permettent de valider et d'invalider la surimpression à l'écran du moniteur à cristaux liquides.

DUMP ([SHIFT] + [1]) :

Appuyer sur ces touches pour transférer les données de montage (EDL) à un appareil externe.

LOAD ([SHIFT] + [2]) :

Appuyer sur ces touches pour charger les données de montage (EDL) d'un appareil externe dans la mémoire EDL interne.

T SET ([SHIFT] + [3]) :

Elles permettent de régler les valeurs initiales du générateur de signal de base de temps lorsque le commutateur de générateur de signal de base de temps est placé à la position pré-réglée (R-RUN ou F-RUN).

LIST ([SHIFT] + [4]) :

Elles permettent d'afficher les données de montage à l'écran du moniteur.

CORCT ([SHIFT] + [5]) :

Appuyer sur ces touches pour modifier les données de montage qui sont déjà enregistrées dans la mémoire EDL.

TRACK ([SHIFT] + [6]) :

Appuyer sur ces touches pour débiter le traitement du suivi de temps.

SET UP ([SHIFT] + [7]) :

Appuyer sur ces touches pour effectuer les réglages du système entier. Les menus de réglage apparaissent à l'écran du moniteur.

DIAG ([SHIFT] + [9]) :

Elles permettent d'afficher le MENU DIAG, etc.

F/TC ([SHIFT] + [~]) :

Elles permettent de sélectionner si les valeurs numériques seront entrées en signal de base de temps ou en images lorsqu'elles doivent être entrées.

FS ([SHIFT] + [+]) :

Appuyer sur ces touches pour modifier l'événement suivant.

BS ([SHIFT] + [-]) :

Appuyer sur ces touches pour modifier l'événement précédent.

EXIT ([SHIFT] + [C]) :

Appuyer sur ces touches pour arrêter à tout moment l'entrée des points de montage ou de toute autre donnée.

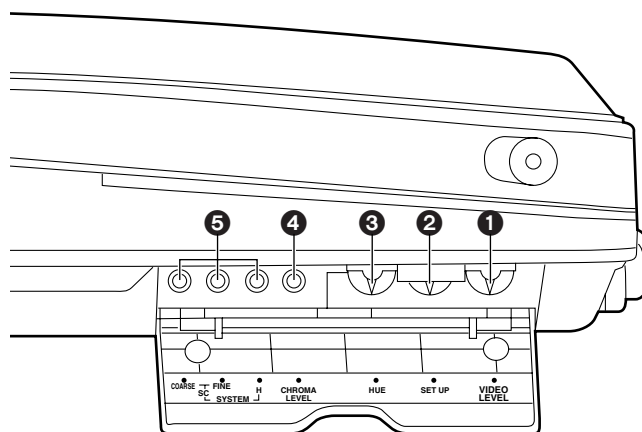
En mode configuration, elles abandonnent les réglages et quittent le mode configuration.

RETURN ([SHIFT] + [ENTER]) :

Appuyer sur ces touches pour arrêter à tout moment l'entrée des points de montage ou de toute autre donnée.

En mode configuration, elles mémorisent les réglages.

Les commandes et leurs fonctions



**Commandes du magnétoscope 1
(panneau latéral)**

Section de commande de codeur (magnétoscope 1)

Les réglages du codeur et du système s'effectuent à l'aide de ces commandes pour les signaux vidéo envoyés à un appareil externe.

<Remarque>

Les commandes du magnétoscope 2 sont disposées symétriquement par rapport aux commandes du magnétoscope 1.

❶ Commande de niveau vidéo (VIDEO LEVEL)

Elle permet de régler le niveau vidéo des signaux de sortie vidéo.

❷ Commande de configuration (SET UP)

Elle permet de régler le niveau de configuration des signaux de sortie vidéo.

❸ Commande de teinte (HUE)

Elle permet de régler la teinte des signaux de sortie vidéo.

❹ Commande de niveau des couleurs (CHROMA LEVEL)

Elle permet de régler le niveau des couleurs des signaux de sortie vidéo.

❺ Commandes système (SYSTEM)

Elles permettent d'effectuer les réglages système lorsqu'un signal vidéo référence doit être entré à des fins de synchronisation.

H: Elle permet de régler la phase horizontale système (par incréments de cycles de sous-porteuse).

SC FINE:

Elle permet de régler la phase de sous-porteuse du système.

(Elle est capable d'effectuer un réglage continu P-P sur 90 degrés).

SC COARSE:

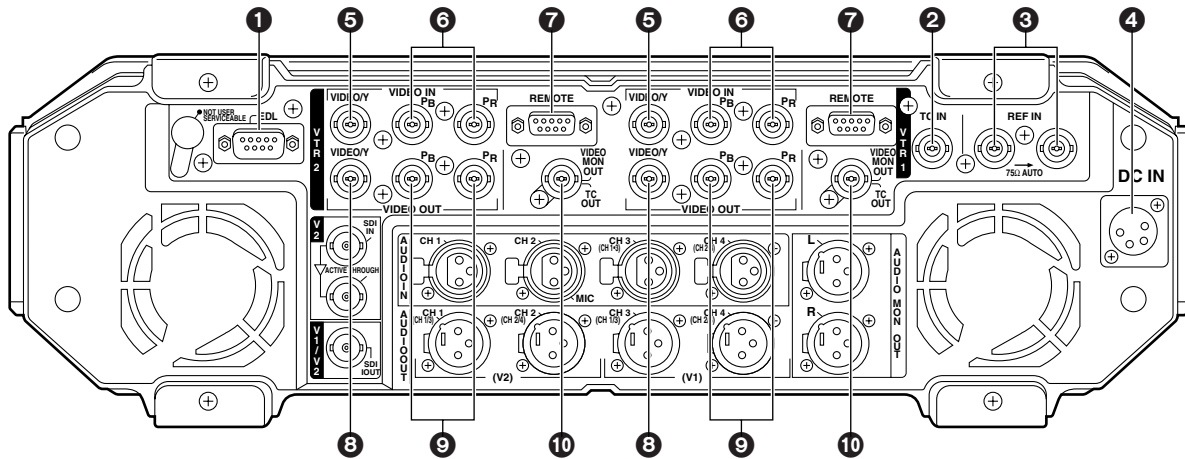
Elle permet de régler la phase de la sous-porteuse du système.

(Elle possède 4 positions, correspondant chacune à 90°.)

<Remarque>

Il n'est pas toujours possible de régler la phase en mode 625i même si les réglages système du côté magnétoscope 1 ont été effectués.

Les commandes et leurs fonctions



Section des connecteurs

1 Connecteur EDL (D-SUB, 9 contacts)

Raccorder un ordinateur personnel ou tout autre appareil à ce connecteur pour télécharger ou télécharger les données de montage.

2 Connecteur d'entrée de signal de base de temps (TC IN) (BNC)

C'est à ce connecteur qu'est envoyé le signal de base de temps externe (LTC).

3 Connecteurs d'entrée vidéo référence (REF VIDEO IN) (BNC x2, raccordés en dérivation)

Ils sont automatiquement terminés par une résistance de 75 Ω.

Envoyer les signaux composites analogiques standard à ces connecteurs. La sortie vidéo de l'appareil sera synchronisée sur les signaux d'entrée.

4 Connecteur d'entrée c.c. (DC IN) (XLR 4 contacts)

C'est la prise d'entrée d'alimentation c.c. Pour l'alimentation, il faudra utiliser l'AJ-B95, accessoire vendu séparément. Aucune garantie n'est donnée lorsque l'appareil fonctionne sur une autre source d'alimentation.

5 Connecteur d'entrée vidéo/Y (VIDEO/Y IN) (BNC)

C'est à ce connecteur que sont envoyés les signaux composites analogique ou les signaux à composantes analogiques Y (luminance).

Les signaux se sélectionnent à la rubrique n° 670 (V IN SEL) du menu de réglage.

6 Connecteurs d'entrée Pb/Pr (PB/PR IN) (BNC)

C'est à ces connecteurs que sont envoyés les signaux Pb et Pr à composantes analogiques.

7 Connecteur de télécommande (REMOTE) (D-SUB 9 contacts) (mode 525i seulement)

Ce connecteur de télécommande respecte la norme RS-422A. Il permet de piloter l'appareil à l'aide d'une télécommande externe.

Le connecteur de télécommande du magnétoscope 1 devient le connecteur REMOTE OUT en réglant le commutateur CONTROL à la position "EXT VTR".

Il est alors possible de piloter un magnétoscope externe raccordé avec le système de fonctionnement du magnétoscope 1.

8 Connecteur de sortie vidéo/Y (VIDEO/Y OUT) (BNC)

C'est par ce connecteur que sont envoyés les signaux composites analogiques ou les signaux à composantes analogiques Y (luminance).

Les signaux se sélectionnent à la rubrique n° 671 (V OUT SEL) du menu de réglage.

9 Connecteurs de sortie Pb/Pr (PB/PR OUT) (BNC)

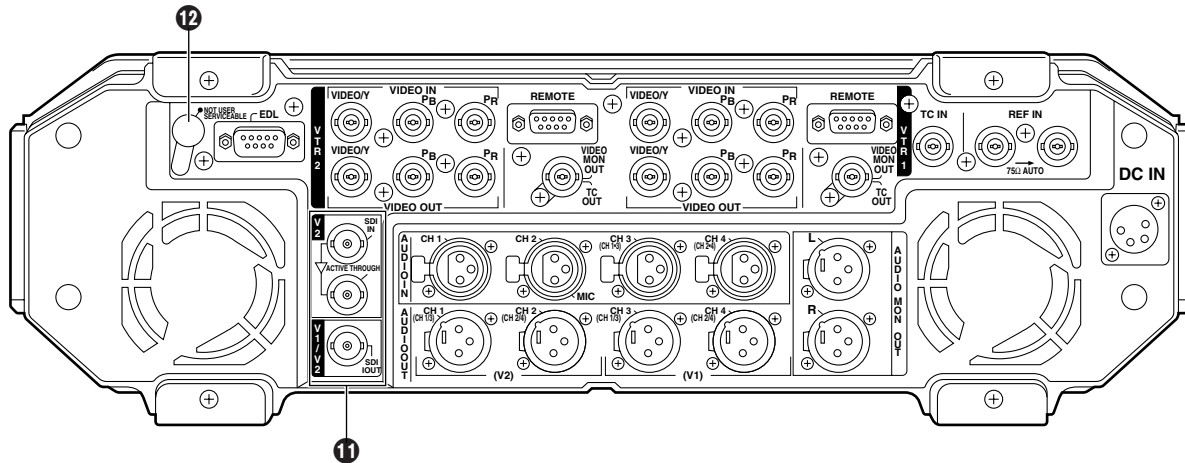
Ce sont les connecteurs de sortie des signaux Pb et Pr à composantes analogiques.

10 Connecteur de sortie de moniteur vidéo/signal de base de temps (VIDEO MONITOR OUT/TC OUT) (BNC)

C'est par ce connecteur que sont envoyés les signaux du moniteur vidéo.

Si la rubrique n° 572 (V-MON/TC OUT) du menu de réglage a été placée à la position "TCOUT1" ou "TCOUT2", c'est le signal de base de temps (LTC) qui est envoyé.

Les commandes et leurs fonctions



Section des connecteurs

11 Connecteurs d'entrée/sortie SDI (BNC)

● Connecteur d'entrée SDI

C'est le connecteur d'entrée des signaux numériques série à composantes.

Les signaux SDI peuvent être envoyés au magnétoscope 2 et enregistrés en réglant le sélecteur d'entrée V2 VIDEO (voir page 13) et le sélecteur d'entrée V2 AUDIO (voir page 15).

<Remarque>

Ces signaux ne peuvent pas être envoyés au magnétoscope 1.

● Connecteur de sortie validé de part en part (SDI ACTIVE THRU)

Les signaux fournis au connecteur d'entrée SDI sont envoyés directement dans l'appareil via la mémoire tampon de sortie.

● Connecteur de sortie SDI

C'est le connecteur de sortie des signaux numériques série à composantes.

Les signaux du magnétoscope sélectionné à la rubrique n° 174 (SDI OUT) du menu de réglage sont envoyés. "SDI" s'éclaire au registre fluorescent du magnétoscope sélectionné. (Voir page 9.)

<Remarque>

Ne raccorder aucun des connecteurs de sortie SDI aux connecteurs d'entrée SDI.

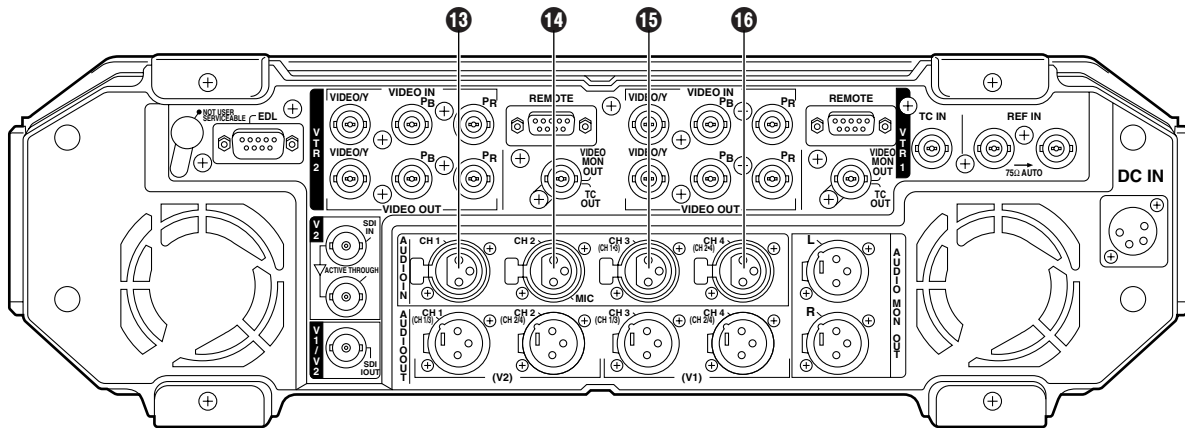
S'il n'est pas tenu compte de cette précaution, l'appareil ne fonctionnera pas correctement, même si le magnétoscope 1 a été sélectionné à la rubrique n° 174 (SDI OUT) du menu de réglage.

12 Orifice de commutateur service/entretien

A l'intérieur de cet orifice se trouve un commutateur qui sert à des fins de service et d'entretien.

Il ne devra jamais être touché par l'utilisateur.

Les commandes et leurs fonctions



Section des connecteurs

13 14 15 16 Connecteurs d'entrée audio (XLR)

C'est à ces connecteurs que sont envoyés les signaux audio analogiques.

Les voies qui leur sont allouées peuvent être modifiées comme indiqué ci-dessous en réglant le commutateur ANALOG AUDIO IN.

Réglage du commutateur ANALOG AUDIO IN	Voies d'enregistrement du ruban							
	VTR1				VTR2			
	Signaux entrés à la voie 1	Signaux entrés à la voie 2	Signaux entrés à la voie 3 (*1)	Signaux entrés à la voie 4 (*1)	Signaux entrés à la voie 1	Signaux entrés à la voie 2	Signaux entrés à la voie 3 (*1)	Signaux entrés à la voie 4 (*1)
V1. V2 (2ch)	Connecteur 15	Connecteur 16	Connecteur 15 (*3)	Connecteur 16 (*3)	Sélectionnés par: • Connecteur 13 • Connecteur 14 • Connecteurs 13 14 mélangés (*2)	Sélectionnés par: • Connecteur 13 • Connecteur 14 • Connecteurs 13 14 mélangés (*2)	Sélectionnés par: • Connecteur 13 • Connecteur 14 • Connecteurs 13 14 mélangés (*2)	Sélectionnés par: • Connecteur 13 • Connecteur 14 • Connecteurs 13 14 mélangés (*2)
V1 (4ch)	Connecteur 13	Connecteur 14	Connecteur 15	Connecteur 16	Son coupé	Son coupé	Son coupé	Son coupé
V2 (4ch)	Son coupé	Son coupé	Son coupé	Son coupé	Le réglage du sélecteur d'entrée V2 AUDIO (sélecteur de voie) permet de sélectionner n'importe quels signaux audio. (Voir page 15.)			

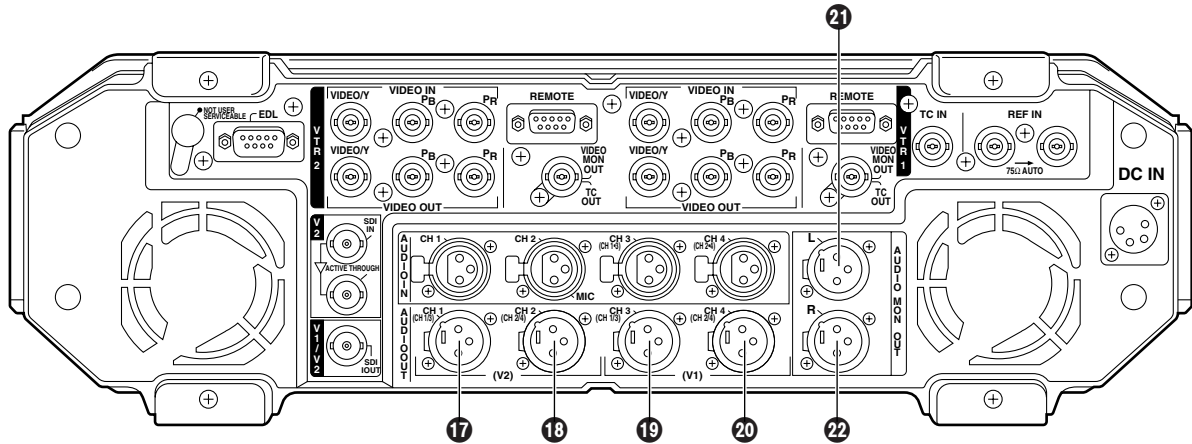
<Remarques>

*1: Aucun son ne peut être enregistré sur les voies 3 et 4 en mode 25 Mbps.

*2: L'entrée des voies 1 et 2 (voies #1 et #2 à partir de la gauche) se sélectionne avec "entrée du connecteur 13", "entrée du connecteur 14", et "connecteurs 13 14 mélangés" en réglant le sélecteur d'entrée V2 AUDIO (sélecteur d'entrée de voie). (Voir page 15.)

*3: En mode 2 voies, les mêmes signaux seront enregistrés sur les voies 1 et 3 du magnéto-cassette 1 que sur les voies 2 et 4.

Les commandes et leurs fonctions



Section des connecteurs

17 18 19 20 Connecteurs de sortie audio (XLR)

C'est par ces connecteurs que sont envoyés les signaux audio analogiques.

Les voies qui leur sont allouées peuvent être modifiées comme indiqué ci-dessous en réglant le commutateur ANALOG AUDIO OUT.

Réglage du commutateur ANALOG AUDIO OUT	Signaux envoyés par le connecteur 17	Signaux envoyés par le connecteur 18	Signaux envoyés par le connecteur 19	Signaux envoyés par le connecteur 20
V1. V2 (2ch)	Voie 1 du magnétoscope 1 ou voie 3 du magnétoscope 2 (*1)	Voie 2 du magnétoscope 2 ou voie 4 du magnétoscope 2 (*1)	Voie 1 du magnétoscope 1 ou voie 3 du magnétoscope 1 (*1)	Voie 2 du magnétoscope 1 ou voie 4 du magnétoscope 1 (*1)
V1 (4ch)	Voie 1 du magnétoscope 1	Voie 2 du magnétoscope 1	Voie 3 du magnétoscope 1 (*2)	Voie 4 du magnétoscope 1 (*2)
V2 (4ch)	Voie 1 du magnétoscope 2	Voie 2 du magnétoscope 2	Voie 3 du magnétoscope 2 (*2)	Voie 4 du magnétoscope 2 (*2)

<Remarques>

*1: Les voies de sortie se sélectionnent à la rubrique n° 773 (PB AUDIO SEL) du menu de réglage.

*2: Les signaux des voies 3 et 4 ne sont pas envoyés en mode 25 Mbps.

Les commandes et leurs fonctions

Section des connecteurs

②① ②② Connecteurs de sortie de contrôle sonore (AUDIO MONITOR OUT) (XLR)

Ce sont les connecteurs de sortie de contrôle sonore. Il est possible de modifier leurs signaux de sortie à l'aide des commutateurs AUDIO MONITOR SELECT.

■ A propos de la sortie audio sélectionnée pour les connecteurs de contrôle audio, les haut-parleurs internes et la prise casque d'écoute (panneau avant)

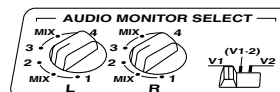
La sélection des voies et du magnéscope (1 ou 2) pour les signaux audio qui doivent être envoyés aux connecteurs de contrôle audio, aux haut-parleurs internes ou à la prise casque d'écoute s'effectue à l'aide des commutateurs AUDIO MONITOR SELECT du clavier, ce qui permet un grand nombre d'options de contrôle audio.

<Remarques>

- Les mêmes signaux des mêmes voies du même magnéscope sont envoyés au connecteur de contrôle audio L, au haut-parleur interne gauche ou à l'écouteur de casque d'écoute L. Pareillement, les mêmes signaux des mêmes voies du même magnéscope sont envoyés au connecteur de contrôle audio R, au haut-parleur interne droit ou à l'écouteur de casque d'écoute R. Il n'est pas possible de régler des signaux différents pour le connecteur, le haut-parleur et le casque d'écoute.
- Lorsque le casque d'écoute est branché dans la prise casque d'écoute du panneau avant, le son des haut-parleurs internes est automatiquement coupé.
- La commande niveau (à côté du moniteur à cristaux liquides) du panneau avant sert à régler le son acheminé aux haut-parleurs internes et au casque d'écoute. Cette commande ne permet pas de régler le niveau des signaux audio qui sont envoyés aux connecteurs de contrôle audio.

Méthode de réglage

Le réglage est possible si "V1+V2" a été sélectionné à la rubrique n° 772 (AUTO MONI) du menu de réglage.



1. Pour envoyer le son du magnéscope 1 au connecteur L et le son du magnéscope 2 au connecteur R

- Placer le commutateur V1/V1•2/V2 à la position "V1•2".
- Utiliser le commutateur L (V1) pour sélectionner la voie audio du magnéscope 1 dont le son doit être envoyé au connecteur L.
- Utiliser le commutateur R (V2) pour sélectionner la voie audio du magnéscope 2 dont le son doit être envoyé au connecteur R.

<Remarque>

Le mixage audio des voies 1 et 2 ou des voies 3 et 4 n'est pas possible. Le mixage n'est possible pour aucune autre combinaison de voies.

2. Pour envoyer le son du magnéscope 1 aux deux connecteurs L et R

- Placer le commutateur V1/V1•2/V2 à la position "V1".
- Utiliser le commutateur L (V1) pour sélectionner la voie audio du magnéscope 1 dont le son doit être envoyé au connecteur L.
- Utiliser le commutateur R (V2) pour sélectionner la voie audio du magnéscope 1 dont le son doit être envoyé au connecteur R.

<Remarque>

Dans ce mode, le son stéréo composé des voies 1 et 2 du magnéscope 1 pourra être reproduit en sélectionnant "1" avec le connecteur L (V1) et "2" avec le commutateur R (V2).

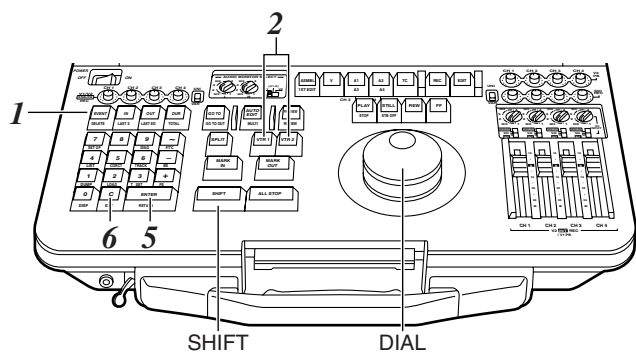
3. Pour envoyer le son du magnéscope 2 aux deux connecteurs L et R

- Placer le commutateur V1/V1•2/V2 à la position "V2".
- Utiliser le commutateur L (V1) pour sélectionner la voie audio du magnéscope 2 dont le son doit être envoyé au connecteur L.
- Utiliser le commutateur R (V2) pour sélectionner la voie audio du magnéscope 2 dont le son doit être envoyé au connecteur R.

<Remarque>

Dans ce mode, le son stéréo composé des voies 1 et 2 du magnéscope 2 pourra être reproduit en sélectionnant "1" avec le connecteur L (V1) et "2" avec le commutateur R (V2).

Fonctionnement des menus de réglage



Toutes les rubriques de réglage à l'exception de celles qui sont réglées avec les sélecteurs se règlent sur les menus de réglage.

1 Appuyer sur la touche SET UP ([SHIFT] + [7]) pour transférer le fonctionnement au mode menu de réglage.

L'écran de menu s'affiche au moniteur à cristaux liquides et à la sortie du moniteur vidéo.

<Remarque>

Même si la rubrique n° 30 (MENU LOCK) du menu de réglage a été validée, l'écran de menu s'affiche et il est possible de vérifier les réglages, mais pas de les modifier.

2 Pour effectuer les réglages du menu affiché sur le côté magnétoscope 1, appuyer sur la touche VTR1 et vérifier que le témoin électroluminescent de la touche est éclairé et que le témoin électroluminescent de la touche VTR2 est éteint. Pour effectuer les réglages du menu affiché sur le côté magnétoscope 2, appuyer sur la touche VTR2 et vérifier que le témoin électroluminescent de la touche est éclairé et que le témoin électroluminescent de la touche VTR1 est éteint.

3 Enfoncer la commande repérage en mode repérage progressif. Tourner la commande et sélectionner la rubrique à régler. (Le curseur "*" se déplace.)

<Remarque>

Appuyer sur la touche FF ou REW pour faire défiler les rubriques du menu de la page suivante ou de la page précédente.

4 Tout en maintenant la touche SHIFT pressée, tourner la commande et régler la valeur. Ou bien, il est possible de diminuer la valeur en appuyant sur la touche "-" tout en maintenant la touche SHIFT pressée, et inversement, de l'augmenter en appuyant sur la touche "+" tout en maintenant la touche SHIFT pressée.

<Remarque>

Pour modifier les réglages de la rubrique n° 377 (1ST EDIT TC), de la rubrique n° 388 (1ST EDIT UB), de la rubrique n° 573 (TC PRESET) ou de la rubrique n° 574 (UB PRESET) du menu de réglage, appuyer sur la touche T SET ([SHIFT] + [3]), et régler les valeurs à l'aide des touches d'entrée numériques.

Les valeurs de TC PRESET et de UB PRESET se règlent lorsque le commutateur de générateur TC est placé à la position "F-RUN" ou "R-RUN".

Procéder de la façon suivante pour entrer les caractères de la rubrique n° 379 (1ST-E TITLE) du menu de réglage.

① Appuyer sur la touche STILL pour afficher l'écran d'entrée de caractère.

② Appuyer sur la touche SHIFT.

Le curseur clignote à la position où il est possible d'entrer les caractères.

③ Tout en maintenant la touche SHIFT pressée, sélectionner le caractère en appuyant sur la touche "+" ou "-".

④ Tout en maintenant la touche SHIFT pressée, déplacer la position d'entrée de caractère en appuyant sur la touche "FF" ou "REW".

⑤ Répéter les étapes ③ et ④ pour entrer les autres caractères.

⑥ Lorsque tous les caractères sont entrés, relâcher la touche SHIFT, et appuyer sur la touche STILL pour fermer l'écran d'entrée de caractère.

5 Lorsque la touche RETURN ([SHIFT] + [ENTER]) est pressée, le réglage est mémorisé, et l'appareil revient au mode normal.

6 Lorsque la touche EXIT ([SHIFT] + [C]) est pressée, le réglage est annulé, et l'appareil revient au mode normal.

Fonctionnement des menus de réglage

Mémoire utilisateur et réglages usine

L'appareil possède une mémoire utilisateur dans laquelle l'utilisateur pourra mémoriser ses propres réglages.

Si un ensemble particulier de réglages est mémorisé, ils pourront être rappelés en même temps.

Il est également possible de rappeler les réglages usine en une seule opération.

(Il n'est pas possible d'enregistrer ni de rappeler les valeurs de TC PRESET et de UB PRESET.)

Enregistrement des réglages dans la mémoire utilisateur

- 1 Appuyer sur SET UP ([SHIFT] + [7]) pour régler l'appareil en mode configuration.
- 2 Effectuer les réglages désirés.
- 3 Appuyer sur la touche RESET du magnétoscope 2 pour afficher l'écran de réglage initial.

```
SETUP-MENU INIT SET  
  
VTR1&2 OK?  
ALL<PLAY>/  
NOT SYSTEM<STILL>/  
NO<REW>/  
USER LOAD <LOAD>/  
USER SAVE <DUMP>
```

- 4 Appuyer sur la touche DUMP ([SHIFT] + [1]) pour enregistrer les réglages modifiés dans la mémoire utilisateur.

Rappel des réglages enregistrés dans la mémoire utilisateur

- 1 Appuyer sur SET UP ([SHIFT] + [7]) pour régler l'appareil en mode configuration.
- 2 Appuyer sur la touche RESET du magnétoscope 2 pour afficher l'écran de réglage initial.
- 3 Appuyer sur la touche LOAD ([SHIFT] + [2]) pour rappeler les réglages de la mémoire utilisateur.

Rappel des réglages utilisateur (réinitialisation des menus)

- 1 Appuyer sur SET UP ([SHIFT] + [7]) pour régler l'appareil en mode configuration.
- 2 Appuyer sur la touche RESET du magnétoscope 2 pour afficher l'écran de réglage initial.
- 3
 - Si la touche PLAY est pressée, toutes les rubriques reviennent aux réglages usine.
 - Si la touche STILL est pressée, toutes les rubriques à l'exception des rubriques système reviennent aux réglages usine.
 - Si la touche REW est pressée, le rappel des réglages usine est annulé.

Menus de réglage

Menu SYSTEM

Rubrique		Valeur de réglage		Description des paramètres	V T R 1	V T R 2
N°	Affichage en surimpression	N°	Affichage en surimpression			
11	SYS SC	0000 : <u>0127</u> : 0255	-127 : 0 : 128	Permet de régler la phase système. La plage variable totale est d'au moins ± 180 degrés. -: La phase est avancée. 0: La phase est retardée. +: La phase est retardée.	<input type="radio"/>	<input type="radio"/>
13	VIDEO PHASE	0000 : <u>0032</u> : 0064	-32 : 0 : 32	Permet de régler la phase du signal vidéo (par paliers de 148 ns). -: La phase est avancée. 0: La phase est retardée.	<input type="radio"/>	<input type="radio"/>
16	AV PHASE	0000 : <u>0090</u> : 0180	-90 : 0 : 90	Permet de régler la phase de la sortie audio par rapport aux signaux de sortie vidéo (par paliers de 20,8 μ s). -: La phase de sortie audio est avancée par rapport à la sortie vidéo. 0: La phase de sortie audio est retardée par rapport à la sortie vidéo.	<input type="radio"/>	<input type="radio"/>
17	SYS H RANGE	0000 <u>0001</u>	FULL FINE	Permet de sélectionner la plage variable de SYSTEM H. 0: $\pm 8 \mu$ s 1: $-2,0 \mu$ s à $+ 2,7 \mu$ s	<input type="radio"/>	<input type="radio"/>
18	SYS H OFFSET	0000 0001 0002 <u>0003</u> 0004 0005 0006	-3 -2 -1 0 1 2 3	Permet de sélectionner la position centrale de SYSTEM H. 0: $-13,4 \mu$ s 1: $-8,96 \mu$ s 2: $-4,52 \mu$ s 3: $0,4 \mu$ s 4: $+4,52 \mu$ s 5: $+8,96 \mu$ s 6: $+13,4 \mu$ s	<input type="radio"/>	<input type="radio"/>
30	MENU LOCK	<u>0000</u> 0001	OFF ON	Permet de sélectionner le mode verrouillage des menus de réglage. 0: Le verrouillage est libéré (ce qui permet de modifier les réglages.) 1: Le verrouillage est engagé (ce qui interdit de modifier les réglages.)		<input type="radio"/>
70	P.ON LOAD	<u>0000</u> 0001	OFF ON	Permet d'établir le réglage pour commuter des réglages du menu de réglage aux réglages initiaux utilisateur à l'établissement du contact. 0: Les réglages du menu de réglage ne changent pas. 1: Les réglages du menu de réglage changent.		<input type="radio"/>

Les valeurs soulignées représentent les réglages usine.

Menus de réglage

Menu BASIC

Rubrique		Valeur de réglage		Description des paramètres	V T R 1	V T R 2
N°	Affichage en surimpression	N°	Affichage en surimpression			
001	LOCAL ENA	<u>0000</u> <u>0001</u>	DIS ST&EJ	Permet de sélectionner les commutateurs qu'il est possible d'actionner sur le panneau de commande lorsque le commutateur CONTROL est placé à la position REMOTE. 0: Aucun des commutateurs ou des touches n'est opérationnel. 1: Seules les touches STOP (ALL STOP) et EJECT sont opérationnelles.	<input type="radio"/>	<input type="radio"/>
002	TAPE TIMER	<u>0000</u> <u>0001</u>	$\pm 12h$ 24h	Permet de sélectionner le format d'heure affiché au compteur CTL. 0: L'heure est affichée au format de 12 heures. 1: L'heure est affichée au format de 24 heures.	<input type="radio"/>	<input type="radio"/>
003	REMAIN SEL	<u>0000</u> <u>0001</u>	OFF ON	Permet de sélectionner si l'affichage REMAIN (durée de ruban restant) doit être surimprimé aux connecteurs MONITOR OUT et à l'écran du moniteur à cristaux liquides. 0: L'affichage REMAIN n'est pas affiché. 1: L'affichage REMAIN est affiché. <Remarques> ● L'affichage REMAIN n'est pas affiché lorsque la cassette est éjectée ou lorsque la durée de ruban restant est calculée après que la cassette a été insérée. ● Il ne s'affiche pas si TIME a été sélectionné pour la rubrique n° 008 (DISPLAY SEL) du menu de réglage. ● Il ne s'affiche pas si le début ou la fin du ruban sont détectés et que BOT ou EOT sont affichés.	<input type="radio"/>	<input type="radio"/>
008	DISPLAY SEL	<u>0000</u> <u>0001</u> <u>0002</u>	TIME T&STA T&S&M	Permet de sélectionner l'affichage à surimprimer aux connecteurs MONITOR OUT et à l'écran du moniteur à cristaux liquides. 0: Les chiffres du compteur sont affichés. 1: Les chiffres du compteur et le mode de fonctionnement sont affichés. 2: Outre les chiffres du compteur et le mode de fonctionnement, la durée de ruban restant, le format du ruban et les messages d'erreur sont affichés.	<input type="radio"/>	<input type="radio"/>
011	CHARA TYPE	<u>0000</u> <u>0001</u>	WHITE W/OUT	Permet de sélectionner le type de caractères à utiliser pour l'affichage en surimpression au connecteur VIDEO MONI OUT et pour les menus de réglage. 0: Caractères blancs sur fond noir uni. 1: Caractères blancs entourés d'un bord noir.	<input type="radio"/>	<input type="radio"/>
012	SYS FORMAT	<u>0000</u> <u>0001</u>	<u>50M</u> 25M	Permet de sélectionner le format d'enregistrement et de lecture. 0: DVCPRO50 (50 Mbps) est sélectionné. 1: DVCPRO25 (25 Mbps) est sélectionné.	<input type="radio"/>	<input type="radio"/>
013	PB FORMAT	<u>0000</u> <u>0001</u>	MANUAL AUTO	Permet de sélectionner le format utilisé pour la lecture du ruban. 0: Le format correspond à celui sélectionné à la rubrique n° 012 (SYS FORMAT) du menu de réglage. 1: Le format correspond au format d'enregistrement du ruban. <Remarques> ● Le fonctionnement interne du magnétoscope 2 est réglé de force à la position MANUAL lorsqu'un mode de montage est sélectionné. ● Le réglage automatique de 525i/625i ne s'effectue pas.	<input type="radio"/>	<input type="radio"/>
070	TV SYSTEM	<u>0000</u> <u>0001</u>	<u>525</u> 625	Permet de sélectionner le système TV. 0: Le système entrelacé 525/59,94 Hz est sélectionné. 1: Le système entrelacé 625/50 Hz est sélectionné. <Remarque> Lorsque ce réglage est modifié, il est mémorisé, et il devient valide après coupure du contact puis rétablissement du contact.	<input type="radio"/>	<input type="radio"/>

Les valeurs soulignées représentent les réglages usine.

Menus de réglage

Menu OPERATION

Rubrique		Valeur de réglage		Description des paramètres	V T R 1	V T R 2
N°	Affichage en surimpression	N°	Affichage en surimpression			
100	SEARCH ENA	<u>0000</u> 0001	<u>DIAL</u> KEY	Permet de sélectionner l'opération de repérage direct. 0: Mode repérage direct. 1: Mode repérage non direct (les opérations de la commande repérage sont reconnues uniquement en mode STILL).		○
101	SHTL MAX	0000 <u>0001</u> 0002	x8.4 <u>x16</u> x32	Permet de sélectionner la vitesse maximale en mode repérage proportionnel. 0: 84 fois la vitesse normale. 1: 16 fois la vitesse normale. 2: 32 fois la vitesse normale.	○	○
102	FF. REW MAX	0000 <u>0001</u> 0002	x16 <u>x32</u> x50	Permet de sélectionner la vitesse maximale d'avance accélérée et de rebobinage. 0: 16 fois la vitesse normale. 1: 32 fois la vitesse normale. 2: 50 fois la vitesse normale.	○	○
103	AUDIO MUTE	<u>0000</u> 0001	<u>OFF</u> ON	Permet de sélectionner l'état qui doit être établi jusqu'à ce que les signaux audio soient envoyés lorsque l'appareil est commuté du mode STOP ou repérage au mode PLAY. 0: Le temps nécessaire jusqu'à l'envoi des signaux audio est réduit. 1: Les signaux audio sont envoyés lorsque le mode transfert est terminé.	○	○
106	EE MODE SEL	<u>0000</u> 0001	<u>NORMAL</u> THRU	Permet de sélectionner les signaux de sortie en mode E-E. 0: Les signaux, qui ont été retardés par la durée nécessaire pour leur traitement interne, sont envoyés. 1: Les signaux ne sont pas traités en interne, et ils sont envoyés sous leur forme d'origine, sans retard. <Remarques> ● "0:NORMAL" est sélectionné de force lorsque le mode montage par assemblage ou montage par insertion est sélectionné, même avec les raccordements internes (mode INT) et même en mode EXT/SEPARATE. ● Le magnétoscope 1 est toujours réglé au mode "THROUGH".		○
107	PLAY DELAY	<u>0000</u> : <u>0005</u> : 0015	<u>0 (VTR1)</u> : <u>5 (VTR2)</u> : 15	Permet de sélectionner la durée de démarrage du mode PLAY en incréments d'images. <Remarque> Lorsque le magnétoscope 1 et le magnétoscope 2 sont raccordés à des appareils externes et pilotés par ces appareils, régler la même valeur PLAY DELAY pour l'ensemble du système.	○	○
108	CAP. LOCK	0000 <u>0001</u>	4F <u>8F</u>	Permet de sélectionner le mode CAPSTAN LOCK lorsque le commutateur SYNCHRO est placé à la position CF. 0: Mode 4F 1: Mode 8F <Remarque> En mode 525i, cette rubrique n'apparaît pas.		○
109	AUTO REW	<u>0000</u> 0001	<u>OFF</u> ON	Permet de sélectionner le traitement à effectuer sur détection de la fin du ruban. 0: Le ruban s'arrête quand il arrive à la fin. 1: Le ruban est rebobiné jusqu'au début.	○	○

Les valeurs soulignées représentent les réglages usine.

Menus de réglage

Menu OPERATION

Rubrique		Valeur de réglage		Description des paramètres	V T R 1	V T R 2
N°	Affichage en surimpression	N°	Affichage en surimpression			
110	MEMORY STOP	<u>0000</u> 0001	OFF ON	Permet de sélectionner le traitement à effectuer lorsque le compteur affiche des zéros en mode CTL ou pendant une avance accélérée ou un rebobinage. 0: Le magnétoscope n'est pas mis hors contact. 1: Le magnétoscope est mis hors contact automatiquement. <Remarques> ● Pour le mode arrêt, le mode arrêt ou le mode arrêt sur image (SHTL + 0.0, JOG STILL) est établi en fonction du réglage de la rubrique n° 315 (AFTER CUE-UP) du menu de réglage. ● Lorsque la fonction AUTO REW et la fonction MEMORY sont toutes deux sélectionnées, c'est la fonction AUTO REW qui a priorité.	○	○
170	HUMID OPE	<u>0000</u> 0001	OFF ON	Permet de sélectionner si l'appareil doit continuer à fonctionner lorsqu'il s'est formé de la condensation. 0: L'appareil ne fonctionne pas. 1: Il fonctionne même s'il s'est formé de la condensation, mais le bon fonctionnement n'est pas garanti. <Remarque> Etant donné qu'il risque de se produire des anomalies, par exemple des dommages du ruban lorsque "1: ON" est sélectionné, utiliser normalement le réglage "0: OFF".		○
171	ALL STOP SEL	<u>0000</u> 0001	STOP STILL	Permet de sélectionner le mode de l'appareil à établir lorsque la touche ALL STOP est pressée. 0: L'appareil est réglé en mode STOP. 1: L'appareil est réglé en arrêt sur image (SHTL + 0.0, JOG STILL).		○
172	VTR1 IN SEL	<u>0000</u> 0001	V1 IN V2 IN	Permet de sélectionner l'entrée VIDEO/AUDIO du magnétoscope 1 lors de la sélection d'une entrée de signal analogique. 0: IN du magnétoscope 1 sert d'entrée pour le magnétoscope 1. 1: VIDEO IN et AUDIO IN du magnétoscope 2 servent d'entrée pour le magnétoscope 1. <Remarques> ● L'appareil ne fonctionnera pas si l'entrée de signal SDI a été sélectionnée. ● Cette opération ne s'effectue pas en mode 625i.	○	
173	BATTERY SEL	<u>0000</u> 0001 0002 0003 0004 0005 0006 0007 0008	<u>10.8V</u> 11.0V 11.2V 11.4V 11.6V 11.8V 12.0V 12.5V 13.0V	Permet de sélectionner le seuil de tension d'avertissement lors d'une chute de tension de l'alimentation c.c. (Le contact se coupe automatiquement sur l'appareil si la tension tombe à 10.6 V.) 0: Lorsque la tension est tombée à 10.8 V 1: Lorsque la tension est tombée à 11.0 V 2: Lorsque la tension est tombée à 11.2 V 3: Lorsque la tension est tombée à 11.4 V 4: Lorsque la tension est tombée à 11.6 V 5: Lorsque la tension est tombée à 11.8 V 6: Lorsque la tension est tombée à 12.0 V 7: Lorsque la tension est tombée à 12.5 V 8: Lorsque la tension est tombée à 13.0 V		○
174	SDI OUT	<u>0000</u> <u>0001</u>	VTR1 VTR2	Permet de sélectionner la sortie SDI. 0: Les signaux du magnétoscope 1 sont envoyés. 1: Les signaux du magnétoscope 2 sont envoyés.		○

Les valeurs soulignées représentent les réglages usine.

Menus de réglage

Menu INTERFACE

Rubrique		Valeur de réglage		Description des paramètres	V T R 1	V T R 2
N°	Affichage en surimpression	N°	Affichage en surimpression			
202	ID SEL	<u>0000</u> 0001	<u>OTHER</u> DVCPRO	Permet de sélectionner l'information d'identification (ID) à envoyer en retour au contrôleur. 0: 20 25H (mode 525i) est envoyé en retour. 1: Le propre code d'identification du DVCPRO et F0 33H (mode 525i) sont envoyés en retour. <Remarque> Cette opération ne s'effectue pas en mode 625i.	<input type="radio"/>	<input type="radio"/>
205	BAUD RATE	0000 0001 0002 <u>0003</u> 0004	1200 2400 4800 9600 19200	Permet de sélectionner le débit (en bauds) de RS-232C (EDL).		<input type="radio"/>
206	DATA LENGTH	<u>0000</u> <u>0001</u>	7 8	Permet de sélectionner la longueur des données de RS-232C (EDL). 0: 7 bits 1: 8 bits		<input type="radio"/>
207	STOP BIT	<u>0000</u> 0001	1 2	Permet de sélectionner le bit d'arrêt de RS-232C (EDL). 0: 1 bit 1: 2 bits		<input type="radio"/>
208	PARITY	0000 <u>0001</u> 0002	NON <u>ODD</u> EVEN	Permet de sélectionner la parité de RS-232C (EDL). 0: Le bit de parité n'est pas utilisé. 1: Le bit de parité est utilisé avec une parité impaire. 2: Le bit de parité est utilisé avec une parité paire.		<input type="radio"/>
270	FLOW CONTROL	<u>0000</u> 0001	<u>NONE</u> RTSCTS	Permet de sélectionner la commande de flux de communication de RS-232C (EDL). 0: Pas de commande de flux avec RTS/CTS. 1: Commande de flux avec RTS/CTS.		<input type="radio"/>
271	EDL FORMAT	<u>0000</u> 0001	<u>AGA850</u> CMX340	Permet de sélectionner le format de vidage de EDL. 0: Même format que celui de l'AG-A850 de Panasonic. 1: Même format que celui du système de montage CMX340.		<input type="radio"/>

Les valeurs soulignées représentent les réglages usine.

Menus de réglage

Menu EDIT

Rubrique		Valeur de réglage		Description des paramètres	V T R 1	V T R 2
N°	Affichage en surimpression	N°	Affichage en surimpression			
303	STD/NON-STD	<u>0000</u> 0001 0002	<u>AUTO</u> STD N-STD	Permet de sélectionner STD ou NON-STD en fonction des signaux d'entrée composites. 0: Les signaux standard/non standard sont automatiquement identifiés et traités. 1: Les signaux standard sont traités. (STD forcé) 2: Les signaux non standard sont traités. (NON-STD forcé) <Remarque> Cette opération ne s'effectue pas en mode 625i.	<input type="radio"/>	<input type="radio"/>
304	SERVO REF	<u>0000</u> 0001	<u>AUTO</u> EXT	Permet de sélectionner les signaux de synchronisation d'asservissement. 0: Pendant l'enregistrement ou le montage, l'asservissement est synchronisé sur les signaux d'entrée ; pendant la lecture, il est synchronisé sur le signal REF. 1: L'asservissement est constamment synchronisé sur le signal REF.	<input type="radio"/>	<input type="radio"/>
305	EDIT RPLCE1	<u>0000</u> <u>0001</u> 0002 0003	N-DEF <u>CH1</u> CH2 CH1+2	Permet de sélectionner l'allocation des voies à l'aide des commandes audio analogiques lors de l'utilisation d'un contrôleur sans fonction de montage audio numérique pour le montage des signaux audio numériques du magnétoscope. Les commandes de montage de la voie 1 du magnétoscope peuvent être validées ou invalidées en fonction des signaux audio analogiques spécifiés par le contrôleur. 0: Pas de réglage. 1: Le réglage respecte les commandes de montage de la voie analogique 1. 2: Le réglage respecte les commandes de montage de la voie analogique 2. 3: Le réglage respecte les commandes de montage des voies analogiques 1 et 2. <Remarque> Cette opération ne s'effectue pas en mode 625i.		<input type="radio"/>
306	EDIT RPLCE2	<u>0000</u> 0001 <u>0002</u> 0003	N-DEF CH1 <u>CH2</u> CH1+2	Comme pour la rubrique de menu n° 305, permet de valider ou d'invalider les commandes de montage de la voie 2 du magnétoscope en fonction des signaux audio analogiques spécifiés par le contrôleur. 0: Pas de réglage. 1: Le réglage respecte les commandes de montage de la voie analogique 1. 2: Le réglage respecte les commandes de montage de la voie analogique 2. 3: Le réglage respecte les commandes de montage des voies analogiques 1 et 2. <Remarque> Cette opération ne s'effectue pas en mode 625i.		<input type="radio"/>
307	EDIT RPLCE3	<u>0000</u> 0001 0002 0003	N-DEF CH1 CH2 CH1+2	Tout comme la rubrique de menu n° 305, permet de valider ou d'invalider les commandes de montage de la voie 3 du magnétoscope en fonction des signaux audio analogiques spécifiés par le contrôleur. 0: Pas de réglage. 1: Le réglage respecte les commandes de montage de la voie analogique 1. 2: Le réglage respecte les commandes de montage de la voie analogique 2. 3: Le réglage respecte les commandes de montage des voies analogiques 1 et 2. <Remarque> Cette opération ne s'effectue pas en mode 625i.		<input type="radio"/>

Les valeurs soulignées représentent les réglages usine.

Menus de réglage

Menu EDIT

Rubrique		Valeur de réglage		Description des paramètres	V T R 1	V T R 2
N°	Affichage en surimpression	N°	Affichage en surimpression			
308	EDIT RPLCE4			Tout comme la rubrique de menu n° 305, permet de valider ou d'invalider les commandes de montage de la voie 4 du magnétoscope en fonction des signaux audio analogiques spécifiés par le contrôleur. 0: Pas de réglage. CH1 1: Le réglage respecte les commandes de montage de la voie analogique 1. CH2 2: Le réglage respecte les commandes de montage de la voie analogique 2. CH1+2 3: Le réglage respecte les aux commandes de montage des voies analogiques 1 et 2. <Remarque> Cette opération ne s'effectue pas en mode 625i.		○
		<u>0000</u>	N-DEF			
		0001	CH1			
		0002	CH2			
		0003	CH1+2			
311	AUD EDIT IN			Permet de sélectionner le mode de jonction des points d'entrée de montage audio. 0: Montage par coupure 1: Montage par fondu		○
		<u>0000</u>	CUT			
		0001	FADE			
312	AUD EDIT OUT			Permet de sélectionner le mode de jonction des points de sortie de montage audio. 0: Montage par coupure 1: Montage par fondu		○
		<u>0000</u>	CUT			
		0001	FADE			
313	AUTO ENTRY			Permet de sélectionner si un point de sortie de montage précédent doit être enregistré automatiquement dans le réglage comme point d'entrée du prochain montage après un montage automatique. 0: Pas de réglage automatique REC1 1: Réglage automatique uniquement pour le magnétoscope 2 REC2 2: Réglage automatique uniquement pour le magnétoscope 2 (avec compensation de -12 images) ALL 3: Réglage automatique pour le magnétoscope 1 et le magnétoscope 2.		○
		<u>0000</u>	OFF			
		0001	REC1			
		0002	REC2			
		0003	ALL			
315	AFTER CUE-UP			Permet de sélectionner le mode qui doit être établi à la fin de l'opération de repérage. 0: L'appareil passe en mode arrêt. 1: L'appareil passe en mode arrêt sur image (SHTL + 0.0, JOG STILL).		○
		<u>0000</u>	STOP			
		0001	STILL			
317	AUD MEM MODE			Permet de sélectionner si un enregistrement de voix hors champ ou un enchaînement de voies audio doivent être effectués à l'aide de la mémoire audio interne. 0: Il n'est pas effectué d'enregistrement de voix hors champ ni d'enchaînement de voies audio. 1: Un enchaînement de voies audio est effectué. 2: Un enregistrement de voix hors champ est effectué.		○
		<u>0000</u>	OFF			
		0001	INT_X			
		0002	INT_VO			
318	AUD MEM CH			Permet de sélectionner la voie pour laquelle l'enregistrement de voix hors champ ou l'enchaînement de voies audio doivent être effectués. CH1 0: Montage de la voie 1 CH2 1: Montage de la voie 2 CH3 2: Montage de la voie 3 CH4 3: Montage de la voie 4		○
		<u>0000</u>	CH1			
		0001	CH2			
		0002	CH3			
		0003	CH4			
325	POSTROLL TM			Permet de sélectionner la durée de prédéfilement (par incréments de 1 seconde).		○
		<u>0000</u>	0.5s			
		0001	1s			
		0002	2s			
		0003	3s			

Les valeurs soulignées représentent les réglages usine.

Menus de réglage

Menu EDIT

Rubrique		Valeur de réglage		Description des paramètres	V T R 1	V T R 2
N°	Affichage en surimpression	N°	Affichage en surimpression			
370	BEEP	0000 0001 <u>0002</u> 0003	OFF ENTRY ALL1 ALL2	Permet de sélectionner si la tonalité de confirmation doit être émise. 0: La tonalité de confirmation n'est pas émise. 1: La tonalité de confirmation est émise lors d'un enregistrement ou lorsqu'il s'est produit une erreur ou un avertissement. 2: La tonalité de confirmation est émise lors d'un enregistrement, au passage d'un point d'entrée ou de sortie de montage, ou lorsqu'il s'est produit une erreur ou un avertissement. 3: La tonalité de confirmation est émise lors d'un enregistrement, au passage d'un point de sortie de montage, ou lorsqu'il s'est produit une erreur ou un avertissement. Elle n'est pas émise au passage d'un point d'entrée de montage.		○
371	SV-UNLK EDIT	0000 <u>0001</u> 0002	EDIT ABORT1 ABORT2	Permet de sélectionner dans quel mode de montage le montage doit être interrompu lorsque l'asservissement n'est pas engagé. 0: Le montage n'est pas interrompu et il continue. 1: Le montage est interrompu lorsque l'asservissement n'est pas engagé pendant la période de pré-enroulement du montage. 2: Le montage est interrompu lorsque l'asservissement n'est pas engagé pendant la période de pré-enroulement du montage, ou après un établissement soudain du mode enregistrement de montage.		○
372	SYNCHRO EDIT	0000 <u>0001</u>	OFF ON	Permet de sélectionner si le montage doit être interrompu s'il n'est pas possible d'obtenir une synchronisation de phase d'une précision de ± 0 image lorsque le réglage SYNCHRO est validé. 0: Le montage n'est pas interrompu. 1: Le montage est interrompu.		○
373	SYNCHRO	<u>0000</u> 0001	VTR1 VTR2	Permet de régler le magnétoscope pour lequel la phase est synchronisée. 0: La phase est synchronisée pour le magnétoscope 1. 1: La phase est synchronisée pour le magnétoscope 2.		○
374	EDL AUTO CLR	<u>0000</u> 0001	OFF ON	Permet de sélectionner si le premier événement doit être effacé et les événements suivants écrasés successivement lorsque la mémoire EDL est pleine. 0: Les événements ne peuvent pas être écrasés. 1: Les événements peuvent être écrasés.		○
375	SPLIT EDIT	<u>0000</u> 0001	AUDIO VIDEO	Permet de sélectionner la référence du montage décalé. 0: Les points de montage vidéo sont utilisés comme référence pour le montage du point de montage décalé audio. 1: Les points de montage audio sont utilisés comme référence pour le montage du point de montage décalé vidéo.		○
376	1ST EDIT DUR	<u>0000</u> 0001	<u>26s</u> T-END	Permet de sélectionner la durée pendant laquelle le signal de salve du noir doit être enregistré pendant un 1er montage. 0: Le signal est enregistré pendant 26 secondes, puis le ruban s'inverse pendant 3 secondes et il s'arrête. Le point auquel le ruban s'est arrêté devient le point réglé par 1ST EDIT PRESET. 1: Le signal est enregistré jusqu'à la fin du ruban ou jusqu'au point où le ruban a été arrêté par ALL STOP. Lorsqu'il est enregistré jusqu'à la fin du ruban, le ruban s'inverse automatiquement jusqu'à la position 1ST EDIT PRESET.		○

Les valeurs soulignées représentent les réglages usine.

Menus de réglage

Menu EDIT

Rubrique		Valeur de réglage		Description des paramètres	V T R 1	V T R 2
N°	Affichage en surimpression	N°	Affichage en surimpression			
377	1ST EDIT TC			Permet de sélectionner la valeur de pré-réglage du signal de base de temps lors d'un 1er montage. 00:00:00:00 à 23:59:59:29 (en mode 525i) 00:00:00:00 à 23:59:59:24 (en mode 625i)		<input type="radio"/>
378	1ST EDIT UB			Permet de sélectionner la valeur de pré-réglage des bits de l'utilisateur d'un 1er montage. 00:00:00:00 à FF:FF:FF:FF.		<input type="radio"/>
379	1ST-E TITLE			Permet de sélectionner les caractères de l'écran de titre (3 lignes ×20 caractères) qui doivent être surimprimés sur le signal de salve du noir pendant le 1er montage. Caractères: ABCDEFGHIJKLMNOPQRSTUVWXYZ0123456789 ,. : ; ? ! / ~ ' () + - ± * = → ← <Remarques> ● Cette rubrique est validée lorsque la rubrique n° 380 (1ST E-DISP) du menu de réglage a été validée. ● Cette opération ne s'effectue pas en mode 625i.		<input type="radio"/>
380	1ST-E DISP	<u>0000</u> 0001	<u>OFF</u> ON	Permet de sélectionner si l'écran de titre doit être surimprimé sur le signal de salve du noir pendant le 1er montage. 0: L'écran de titre n'est pas surimprimé. 1: L'écran de titre est surimprimé. <Remarque> L'écran ne peut être surimprimé en mode 625i.		<input type="radio"/>
381	ENTRY CORR	<u>0000</u> 0001	<u>OFF</u> ON	Permet de sélectionner si une compensation doit être effectuée pour l'enregistrement du point de sortie lors du visionnement préalable d'un montage ouvert. 0: Aucune compensation n'est effectuée. 1: Une compensation est effectuée (-12 images).		<input type="radio"/>
382	SKIP (r) MARK	<u>0000</u> 0001	<u>OFF</u> ON	Permet de sélectionner le traitement des événements déjà montés lors d'un montage multi-événements. 0: Les événements déjà montés sont re-montés lors d'un montage multi-événements. 1: Le montage multi-événements s'effectue en sautant les événements déjà montés.		<input type="radio"/>

Les valeurs soulignées représentent les réglages usine.

Menus de réglage

Menu TAPE PROTECT

Rubrique		Valeur de réglage		Description des paramètres	V T R 1	V T R 2
N°	Affichage en surimpression	N°	Affichage en surimpression			
400	STILL TIMER	0000 0001 0002 0003 0004 0005 0006 0007 <u>0008</u>	0.5s 5s 10s 20s 30s 40s 50s 1min <u>2min</u>	Permet de sélectionner la durée nécessaire pour que l'appareil se règle en mode protection du ruban lorsqu'il est laissé en mode STOP ou en mode STILL (JOG, VAR ou SHTL). (Unités: s = secondes, min = minutes)	<input type="radio"/>	<input type="radio"/>
401	SRC PROTECT	<u>0000</u> 0001	<u>STEP</u> HALF	Permet de sélectionner le fonctionnement du mode protection du ruban lorsqu'il est laissé en mode STILL. 0: Pas (ou pas avant en mode STILL) 1: Demi-chargement <Remarque> Si le pas avant est sélectionné, l'appareil commute automatiquement au mode demi-chargement lorsqu'il reste inutilisé pendant un total de 30 minutes en mode STILL.	<input type="radio"/>	<input type="radio"/>
402	DRUM STDBY	0000 <u>0001</u>	OFF <u>ON</u>	Permet de sélectionner le fonctionnement du cylindre des têtes en mode annulation d'attente. 0: Le cylindre des têtes s'arrête. 1: Le cylindre des têtes tourne.	<input type="radio"/>	<input type="radio"/>
403	STOP PROTECT	0000 <u>0001</u>	STEP <u>HALF</u>	Permet de sélectionner le fonctionnement du mode protection du ruban lorsqu'il est laissé en mode STOP. 0: Pas avant 1: Demi-chargement <Remarque> Si le pas avant est sélectionné, l'appareil commute automatiquement au mode demi-chargement lorsqu'il reste inutilisé pendant un total de 30 minutes en mode STOP.	<input type="radio"/>	<input type="radio"/>

Les valeurs soulignées représentent les réglages usine.

Menus de réglage

Menu TIME CODE

Rubrique		Valeur de réglage		Description des paramètres	V T R 1	V T R 2
N°	Affichage en surimpression	N°	Affichage en surimpression			
500	VITC BLANK	0000 0001	BLANK THRU	Permet de sélectionner si le signal VITC doit être envoyé aux positions qui ont été réglées avec les rubriques n° 501 (VITC POS-1) et n° 502 (VITC POS-2) du menu de réglage. 0: Le signal VITC n'est pas envoyé. 1: Le signal VITC est envoyé.	<input type="radio"/>	<input type="radio"/>
501	VITC POS-1 (525i mode)	0000 : <u>0006</u> : 0010	10L : <u>16L</u> : 20L	Permet de sélectionner la position où le signal VITC doit être inséré. <Remarque> Il n'est pas possible de régler la même ligne que celle sélectionnée à la rubrique n° 502 (VITC POS-2) du menu de réglage.	<input type="radio"/>	<input type="radio"/>
	(625i mode)	0000 : <u>0004</u> : 0015	7L : <u>11L</u> : 22L			
502	VITC POS-2 (525i mode)	0000 : <u>0008</u> : 0010	10L : <u>18L</u> : 20L	Permet de sélectionner la position où le signal VITC doit être inséré. <Remarque> Il n'est pas possible de régler la même ligne que celle sélectionnée à la rubrique n° 501 (VITC POS-1) du menu de réglage.	<input type="radio"/>	<input type="radio"/>
	(625i mode)	0000 : <u>0006</u> : 0015	7L : <u>13L</u> : 22L			
503	TCG REGEN	<u>0000</u> 0001 0002	<u>TC&UB</u> TC UB	Permet de sélectionner le signal à régénérer lorsque le générateur de signal de base de temps (TCG) est en mode régénération. 0: Le signal de base de temps et les bits de l'utilisateur sont régénérés. 1: Seul le signal de base de temps est régénéré. 2: Seuls les bits de l'utilisateur sont régénérés.	<input type="radio"/>	<input type="radio"/>
504	REGEN MODE	<u>0000</u> 0001 0002 0003	<u>AS&IN</u> ASSEM INSRT SW	Permet de sélectionner le signal de base de temps à régénérer pendant un montage automatique (montage par assemblage ou montage par insertion) 0: Le signal de base de temps est régénéré lors d'un montage par assemblage ou d'un montage par insertion. 1: Le signal de base de temps est régénéré lors d'un montage par assemblage. 2: Le signal de base de temps est régénéré lors d'un montage par insertion. 3: La régénération du signal de base de temps respecte la position du commutateur REGEN/PRESET.		<input type="radio"/>

Les valeurs soulignées représentent les réglages usine.

Menus de réglage

Menu TIME CODE

Rubrique		Valeur de réglage		Description des paramètres	V T R 1	V T R 2
N°	Affichage en surimpression	N°	Affichage en surimpression			
506	BINARY GP			Permet de sélectionner l'état d'utilisation des bits de l'utilisateur dans le signal de base de temps généré par le générateur de signal de base de temps. 0: Non spécifié (le jeu de caractères n'est pas spécifié). 1: Caractères ISO (jeu de caractères 8 bits respectant ISO646, ISO2022) 2: Non assigné 1 (non défini) 3: Non assigné 2 (non défini) 4: Non assigné 3 (non défini) 5: Page/ligne 6: Non assigné 4 (non défini) 7: Non assigné 5 (non défini)		
		<u>0000</u> 0001	<u>000</u> 001			
		0002 0003 0004 0005 0006 0007	010 011 100 101 110 111			
507	PHASE CORR			Permet de sélectionner si la correction de phase pour le signal LTC généré par le générateur de signal de base de temps doit être contrôlée. 0: La correction de phase n'est pas contrôlée. 1: La correction de phase est contrôlée.		
		<u>0000</u> 0001	<u>OFF</u> ON			
508	TCG CF FLAG			Permet de sélectionner l'indicateur du cadrage couleur dans le générateur de signal de base de temps. 0: L'indicateur du cadrage couleur est invalidé. 1: L'indicateur du cadrage couleur est validé.		
		<u>0000</u> 0001	<u>OFF</u> ON			
509	DF MODE			Permet de sélectionner le mode "Drop Frame" du signal de commande et du générateur du signal de base de temps. 0: Pour le fonctionnement en mode "Drop Frame" 1: Pour le fonctionnement en mode "Non Drop Frame" <Remarque> En mode 625i, cette rubrique n'apparaît pas.		
		<u>0000</u> 0001	<u>DF</u> NDF			
511	VITC OUT			Permet de sélectionner la méthode d'envoi du signal VITC surimprimé sur le signal vidéo de sortie. 0: Pendant l'enregistrement: Le signal de base de temps d'entrée réglé à la rubrique n° 570 (REGEN SEL) du menu de réglage ou le commutateur du générateur de signal de base de temps est envoyé comme signal VITC. Pendant la lecture: Le signal de base de temps enregistré dans la section SBC est envoyé comme signal VITC. 1: Pendant l'enregistrement: Le signal de base de temps détecté parmi les signaux vidéo d'entrée est envoyé comme signal VITC. Pendant la lecture: Le signal de base de temps enregistré dans la section VAUX est envoyé comme signal VITC. <Remarque> Le signal de base de temps détecté parmi les signaux vidéo d'entrée est automatiquement envoyé comme signal VAUX lorsque les images sont enregistrées.		
		<u>0000</u>	<u>SBC</u>			
		0001	VAUX			
570	REGEN SEL			Permet de sélectionner si le signal de base de temps du générateur de signal de base de temps interne ou le signal de base de temps externe doit être utilisé lorsque le commutateur REGEN/PRESET est placé à la position REGEN. 0: Le signal de base de temps interne est utilisé en mode régénération. 1: Le signal VITC du signal vidéo d'entrée est utilisé en mode régénération. 2: Le signal LTC de l'entrée du signal de base de temps est utilisé en mode régénération. 3: Le signal de base de temps des sous-codes est utilisé en mode régénération lorsque le commutateur OPERATION MODE est placé à la position INT. <Remarque> Le réglage du signal de base de temps du magnétoscope 1 n'est possible que sur le côté magnétoscope 2.		
		<u>0000</u> 0001 0002 0003	<u>I-REG</u> E-VITC E-LTC VTR1TC			

Les valeurs soulignées représentent les réglages usine.

Menus de réglage

Menu TIME CODE

Rubrique		Valeur de réglage		Description des paramètres	V T R 1	V T R 2
N°	Affichage en surimpression	N°	Affichage en surimpression			
571	TC JUMP	<u>0000</u> 0001 0002 0003	<u>OFF</u> VTR1 VTR2 ALL	<p>Permet de sélectionner le réglage du saut du signal de base de temps.</p> <p>0: Pas de saut du signal de base de temps.</p> <p>1: Saut du signal de base de temps sur le côté magnétoscope 1 seulement.</p> <p>2: Saut du signal de base de temps sur le côté magnétoscope 2 seulement.</p> <p>3: Saut du signal de base de temps sur les deux côtés, magnétoscope 1 et magnétoscope 2.</p> <p><Remarque> Pendant un saut du signal de base de temps, le ruban est repéré jusqu'au point d'entrée, puis, en utilisant la valeur du signal de commande comme référence, le ruban effectue un pré-défilement ou un pré-enroulement. Lorsque le mode enregistrement de montage est débuté après le passage du point d'entrée, l'appareil commute à la référence du signal de base de temps.</p>		○
572	V-MON/TC OUT	<u>0000</u> 0001 0002	<u>V-MON</u> TCOUT1 TCOUT2	<p>Permet de sélectionner si le connecteur de sortie de moniteur vidéo doit être utilisé comme connecteur de sortie du signal de base de temps.</p> <p>Lorsqu'il doit être utilisé comme connecteur de sortie du signal de base de temps, cette rubrique permet également de sélectionner si la phase du signal de base de temps qui est envoyé en mode E-E doit être alignée sur le signal de base de temps de sortie ou d'entrée vidéo.</p> <p>0: Le connecteur est utilisé comme connecteur de sortie de moniteur vidéo.</p> <p>1: Le connecteur est utilisé comme connecteur de sortie du signal de base de temps, et en mode E-E, la phase du signal de base de temps de sortie est alignée sur le signal de base de temps d'entrée.</p> <p>2: Le connecteur est utilisé comme connecteur de sortie du signal de base de temps, et en mode E-E, la phase du signal de base de temps de sortie est alignée sur le signal de base de temps de sortie.</p> <p><Remarque> Le réglage de TCOUT2 n'est possible que sur le côté magnétoscope 2.</p>	○	○
573	TC PRESET			<p>Permet de sélectionner la valeur du signal de base de temps du générateur de signal de base de temps interne.</p> <p>00:00:00:00 à 23:59:59:29 (en mode 525i)</p> <p>00:00:00:00 à 23:59:59:24 (en mode 625i)</p>	○	○
574	UB PRESET			<p>Permet de sélectionner la valeur des bits de l'utilisateur du générateur de signal de base de temps interne.</p> <p>00:00:00:00 à FF:FF:FF:FF.</p>	○	○

Les valeurs soulignées représentent les réglages usine.

Menus de réglage

Menu VIDEO

Rubrique		Valeur de réglage		Description des paramètres	V T R 1	V T R 2
N°	Affichage en surimpression	N°	Affichage en surimpression			
601	OUT VSYNC	<u>0000</u> 0001	N-VF VF	Permet de sélectionner si la phase du signal vidéo doit flotter à la position de synchronisation V des signaux vidéo pour l'aligner sur l'entrée en mode E-E ou pendant un enregistrement ou un montage. 0: La phase flotte. 1: La phase ne flotte pas.	<input type="radio"/>	<input type="radio"/>
602	V-MUTE SEL	<u>0000</u> 0001	N-MUTE LOW_RF	Permet de sélectionner si les signaux de sortie vidéo doivent être coupés lorsqu'un blanc a été détecté sur le ruban pendant la lecture. 0: Pas de coupure (l'écran est gelé). 1: Coupure (l'écran devient noir).	<input type="radio"/>	<input type="radio"/>
603	CC (F1) BLANK	<u>0000</u> 0001	BLANK THRU	Permet de valider et d'invalider le signal du sous-titrage codé de la première trame. 0: Le signal est supprimé de force. 1: Le signal n'est pas supprimé. <Remarque> En mode 625i, cette rubrique n'apparaît pas.	<input type="radio"/>	<input type="radio"/>
604	CC (F2) BLANK	<u>0000</u> 0001	BLANK THRU	Permet de valider et d'invalider le signal du sous-titrage codé de la seconde trame. 0: Le signal est supprimé de force. 1: Le signal n'est pas supprimé. <Remarque> En mode 625i, cette rubrique n'apparaît pas.	<input type="radio"/>	<input type="radio"/>
605	FREEZE SEL	<u>0000</u> 0001	FIELD FRAME	Permet de sélectionner l'état de gel des arrêts sur image. 0: Gel de trame. 1: Gel d'image. <Remarque> Si le gel d'image est validé, le ruban est lu au ralenti par incréments d'une image même pendant une lecture ralentie.	<input type="radio"/>	<input type="radio"/>
609	EDH	<u>0000</u> 0001	OFF ON	Permet de sélectionner si l'information d'erreur doit être insérée dans la sortie série. 0: L'information d'erreur n'est pas insérée. 1: L'information d'erreur est insérée.	<input type="radio"/>	<input type="radio"/>
610	Pb/Pr IN LV	<u>0000</u> 0001	MII B-CAM	Permet de sélectionner le niveau d'entrée des composantes analogiques. 0: Niveau M II 1: Niveau β-cam. <Remarque> En mode 625i, cette rubrique n'apparaît pas.	<input type="radio"/>	<input type="radio"/>
611	INPUT C KILL	<u>0000</u> 0001	B/W AUTO	Permet de sélectionner le traitement de l'élimination des couleurs des signaux d'entrée vidéo. 0: Les signaux d'entrée vidéo sont soumis de force à un traitement monochrome. 1: Les signaux d'entrée vidéo sont automatiquement traités.	<input type="radio"/>	<input type="radio"/>

Les valeurs soulignées représentent les réglages usine.

Menus de réglage

Menu VIDEO

Rubrique		Valeur de réglage		Description des paramètres	V T R 1	V T R 2
N°	Affichage en surimpression	N°	Affichage en surimpression			
614	Pb/Pr OUT LV	0000 <u>0001</u>	MII B-CAM	Permet de sélectionner le niveau de sortie des composantes analogiques. 0: Niveau MII 1: Niveau β-cam. <Remarque> En mode 625i, cette rubrique n'apparaît pas.	○	○
618	INTERPOLATE	0000 <u>0001</u>	OFF AUTO	Pendant une lecture ralentie, la fonction d'interpolation des signaux verticaux est automatiquement validée afin de réduire le mouvement vertical des images de lecture. Toutefois, cette fonction peut être invalidée à l'aide de ce réglage. 0: La fonction est invalidée de force. 1: La fonction est automatiquement validée pendant une lecture ralentie.	○	
622	SETUP 25			Permet de régler le traitement de configuration de 7,5% sur les signaux d'entrée et de sortie en mode 25 Mbps. (Il est possible d'afficher les réglages 00, 01, 02 et 03 du sous-menu en appuyant sur la touche STILL. Pour revenir au menu depuis le sous-menu, appuyer de nouveau sur la touche STILL.) <Remarque> En mode 625i, cette rubrique n'apparaît pas.	○	○
	00 CMPST IN	0000 <u>0001</u>	THRU CUT	Permet de sélectionner le traitement de configuration de 7,5% pour le signal d'entrée composite. 0: Le signal s'enregistre sous sa forme originale. 1: Le signal s'enregistre avec suppression de la configuration de 7,5%.	○	○
	01 CMPST OUT	0000 <u>0001</u>	THRU ADD	Permet de sélectionner le traitement de configuration de 7,5% pour le signal de sortie composite. 0: Le signal s'enregistre sous sa forme originale. 1: Le signal s'enregistre avec ajout de la configuration de 7,5%. <Remarque> Noter le réglage sélectionné pour la rubrique n° 03 (CMPNT OUT) du sous-menu.	○	○
	02 CMPNT IN	0000 <u>0001</u>	THRU CUT	Permet de sélectionner le traitement de configuration de 7,5% pour le signal d'entrée à composantes. 0: Le signal s'enregistre sous sa forme originale. 1: Le signal s'enregistre avec suppression de la configuration de 7,5%.	○	○
	03 CMPNT OUT	0000 <u>0001</u>	THRU CUT	Permet de sélectionner le traitement de configuration de 7,5% pour le signal de sortie composite, à composantes, et numérique série. 0: Le signal s'enregistre sous sa forme originale. 1: Le signal s'enregistre avec suppression de la configuration de 7,5%.	○	○

Les valeurs soulignées représentent les réglages usine.

Menus de réglage

Menu VIDEO

Rubrique		Valeur de réglage		Description des paramètres	V T R 1	V T R 2
N°	Affichage en surimpression	N°	Affichage en surimpression			
623	SETUP 50			Permet de régler le traitement de configuration de 7,5% sur les signaux d'entrée et de sortie en mode 50 Mbps. (Il est possible d'afficher les réglages 00, 01, 02 et 03 du sous-menu en appuyant sur la touche STILL. Pour revenir au menu depuis le sous-menu, appuyer de nouveau sur la touche STILL.) <Remarque> En mode 625i, cette rubrique n'apparaît pas.	<input type="radio"/>	<input type="radio"/>
	00 CMPST IN	<u>0000</u> <u>0001</u>	THRU CUT	Permet de sélectionner le traitement de configuration de 7,5% pour le signal d'entrée composite. 0: Le signal s'enregistre sous sa forme originale. 1: Le signal s'enregistre avec suppression de la configuration de 7,5%.	<input type="radio"/>	<input type="radio"/>
	01 CMPST OUT	<u>0000</u> <u>0001</u>	THRU ADD	Permet de sélectionner le traitement de configuration de 7,5% pour le signal de sortie composite. 0: Le signal s'enregistre sous sa forme originale. 1: Le signal s'enregistre avec ajout de la configuration de 7,5%. <Remarque> Noter le réglage sélectionné pour la rubrique n° 03 (CMPNT OUT) du sous-menu.	<input type="radio"/>	<input type="radio"/>
	02 CMPNT IN	<u>0000</u> <u>0001</u>	THRU CUT	Permet de sélectionner le traitement de configuration de 7,5% pour le signal d'entrée à composantes. 0: Le signal s'enregistre sous sa forme originale. 1: Le signal s'enregistre avec suppression de la configuration de 7,5%.	<input type="radio"/>	<input type="radio"/>
	03 CMPNT OUT	<u>0000</u> <u>0001</u>	THRU CUT	Permet de sélectionner le traitement de configuration de 7,5% pour le signal de sortie composite, à composantes, et numérique série. 0: Le signal s'enregistre sous sa forme originale. 1: Le signal s'enregistre avec suppression de la configuration de 7,5%.	<input type="radio"/>	<input type="radio"/>
641	WIDE IN SEL	<u>0000</u> 0001 0002	AUTO WIDE NORMAL	Permet de sélectionner l'information de grand écran qui doit être écrite sur le ruban pendant l'enregistrement. 0: Le réglage du ruban du magnétoscope 2 respecte l'information de grand écran du magnétoscope 1 avec les raccordements internes (mode INT) si la rubrique n° 643 (INT WIDE I) du menu de réglage a été validée. Ou bien, si la rubrique a été invalidée, l'information est enregistrée de force sur le ruban comme mode normal. Elle est enregistrée également de force sur le ruban comme mode normal si le commutateur OPERATION MODE a été placé à la position EXT ou SEPARATE. Pour le ruban du magnétoscope 1, l'information est enregistrée de force sur le ruban comme mode normal. 1: L'information est enregistrée de force sur le ruban comme mode large. 2: L'information est enregistrée de force sur le ruban comme mode normal. <Remarques> ● La détection de l'information de grand écran du signal SDI n'est pas possible. ● En mode grand écran, "W" s'éclaire au registre.	<input type="radio"/>	<input type="radio"/>
643	INT WIDE I	<u>0000</u> <u>0001</u>	OFF ON	Permet de sélectionner la façon dont l'information de grand écran du magnétoscope 1 doit être utilisée pour la détection de l'information de grand écran du magnétoscope 2 si AUTO a été sélectionné à la rubrique n° 641 du menu de réglage avec les raccordements internes (mode INT). 0: L'information n'est pas traitée comme information de grand écran. 1: L'information est traitée comme information de grand écran.		<input type="radio"/>

Les valeurs soulignées représentent les réglages usine.

Menus de réglage

Menu VIDEO

Rubrique		Valeur de réglage		Description des paramètres	V T R 1	V T R 2
N°	Affichage en surimpression	N°	Affichage en surimpression			
670	V IN SEL	<u>0000</u> 0001	<u>CMPST</u> CMPNT	Permet de sélectionner l'entrée vidéo. 0: Entrée composite analogique. 1: Entrée à composantes analogique. <Remarque> Il n'est pas possible d'envoyer des signaux vidéo analogiques en mode 625i.	<input type="radio"/>	<input type="radio"/>
671	V OUT SEL	<u>0000</u> 0001	<u>CMPST</u> CMPNT	Permet de sélectionner la sortie vidéo. 0: Sortie composite analogique. 1: Sortie à composantes analogique.	<input type="radio"/>	<input type="radio"/>

Les valeurs soulignées représentent les réglages usine.

Menu AUDIO

Rubrique		Valeur de réglage		Description des paramètres	V T R 1	V T R 2
N°	Affichage en surimpression	N°	Affichage en surimpression			
701	CH1 IN LV	<u>0000</u> <u>0001</u> 0002 0003	4dB <u>0dB</u> -3dB -20dB	Permet de sélectionner le niveau référence de l'entrée audio (voie 1).		<input type="radio"/>
702	CH2 IN LV	<u>0000</u> <u>0001</u> 0002 0003 0004	4dB <u>0dB</u> -3dB -20dB -60dB	Permet de sélectionner le niveau référence de l'entrée audio (voie 2).		<input type="radio"/>
703	CH3 IN LV	<u>0000</u> <u>0001</u> 0002 0003	4dB <u>0dB</u> -3dB -20dB	Permet de sélectionner le niveau référence de l'entrée audio (voie 3).		<input type="radio"/>
704	CH4 IN LV	<u>0000</u> <u>0001</u> 0002 0003	4dB <u>0dB</u> -3dB -20dB	Permet de sélectionner le niveau référence de l'entrée audio (voie 4).		<input type="radio"/>
706	CH1 OUT LV	<u>0000</u> <u>0001</u> 0002 0003	4dB <u>0dB</u> -3dB -20dB	Permet de sélectionner le niveau référence de la sortie audio (voie 1).		<input type="radio"/>
707	CH2 OUT LV	<u>0000</u> <u>0001</u> 0002 0003	4dB <u>0dB</u> -3dB -20dB	Permet de sélectionner le niveau référence de la sortie audio (voie 2).		<input type="radio"/>
708	CH3 OUT LV	<u>0000</u> <u>0001</u> 0002 0003	4dB <u>0dB</u> -3dB -20dB	Permet de sélectionner le niveau référence de la sortie audio (voie 3).		<input type="radio"/>
709	CH4 OUT LV	<u>0000</u> <u>0001</u> 0002 0003	4dB <u>0dB</u> -3dB -20dB	Permet de sélectionner le niveau référence de la sortie audio (voie 4).		<input type="radio"/>

Les valeurs soulignées représentent les réglages usine.

Menus de réglage

Menu AUDIO

Rubrique		Valeur de réglage		Description des paramètres	V T R 1	V T R 2
N°	Affichage en surimpression	N°	Affichage en surimpression			
714	EMPHASIS	<u>0000</u> 0001	OFF ON	Permet de sélectionner l'accentuation des signaux audio.	<input type="radio"/>	<input type="radio"/>
726	REC CUE	0000 0001 <u>0002</u> 0003 0004 0005	CH1 CH2 CH1+2 CH3 CH4 CH3+4	Permet de sélectionner les signaux d'entrée à enregistrer sur la piste repère. 0: Signaux d'entrée audio de la voie 1 1: Signaux d'entrée audio de la voie 2 2: Signaux audio mélangés des voies 1 et 2 3: Signaux d'entrée audio de la voie 3 4: Signaux d'entrée audio de la voie 4 5: Signaux audio mélangés des voies 3 et 4	<input type="radio"/>	<input type="radio"/>
727	PB FADE	<u>0000</u> 0001 0002	AUTO CUT FADE	Permet de sélectionner le traitement du point de montage audio (entrée et sortie) pendant la lecture. 0: Le traitement respecte l'état réglé pour l'enregistrement. 1: Le traitement par coupure est débuté de force. 2: Le traitement par fondu est débuté de force.	<input type="radio"/>	<input type="radio"/>
728	EMBEDDED AUD	0000 <u>0001</u>	OFF ON	Permet de sélectionner l'intégration des données audio dans la sortie série. 0: Les données audio ne sont pas intégrées. 1: Les données audio sont intégrées.	<input type="radio"/>	<input type="radio"/>
731	CUE OUT SEL	<u>0000</u> 0001	OFF ON	Permet de sélectionner si le signal audio repère doit être envoyé à la sortie principale du système en mode repérage. 0: Le signal audio repère n'est pas envoyé. 1: Le signal audio repère est envoyé.	<input type="radio"/>	<input type="radio"/>
732	CUE SLOW	0000 0001	STEP LINEAR	Permet de sélectionner le mode de défilement du ruban (mode lecture de piste repère) pendant une lecture ralentie. 0: Les images de sortie ont priorité, et l'avance par pas s'effectue. 1: La lecture de la piste repère a priorité, et le ruban défile en mode linéaire. <Remarques> Si le réglage "1.LINEAR" est sélectionné: ● Placer le commutateur TC/CTL à la position TC. Le compteur du signal de commande (CTL) risque de ne pas fonctionner correctement. ● L'image risque de ne pas être aussi claire qu'en mode pas.	<input type="radio"/>	<input type="radio"/>

Les valeurs soulignées représentent les réglages usine.

Menus de réglage

Menu AUDIO

Rubrique		Valeur de réglage		Description des paramètres	V T R 1	V T R 2
N°	Affichage en surimpression	N°	Affichage en surimpression			
770	CUE INSERT	<u>0000</u> 0001	<u>OFF</u> ON	Permet de sélectionner si les signaux doivent être enregistrés sur la piste repère en mode insertion audio. 0: Les signaux ne sont pas enregistrés sur la piste repère, et les signaux déjà enregistrés restent sur la piste. 1: Les signaux sont enregistrés sur la piste repère.		○
771	AUDIO SLOW	<u>0000</u> 0001 0002	<u>PCM</u> CUE A-CUE	Permet de sélectionner le mode de sortie audio pendant une lecture ralentie. 0: Mode PCM Le son PCM est envoyé aux vitesses de -0,43 fois à +1 fois, et le son repère est envoyé à toutes les autres vitesses. 1: Mode CUE Le son PCM est envoyé à la vitesse avant de +1 fois, et le son repère est envoyé à toutes les autres vitesses. 2: Mode ALL CUE Le son repère est envoyé à toutes les vitesses, y compris la vitesse avant de +1 fois.	○	○
772	AUTO MONI	<u>0000</u> 0001	<u>V1+V2</u> AUTO	Permet de sélectionner le signal qui doit être envoyé aux haut-parleurs et au casque d'écoute. 0: Le signal respecte la position du commutateur AUDIO MONITOR SELECT. 1: Les signaux du magnétoscope sélectionné avec la touche VTR1/VTR2 sont envoyés. En mode fonctionnement simultané magnétoscope 1/magnétoscope 2, les signaux du magnétoscope 1 sont envoyés à la voie gauche, et les signaux du magnétoscope 2 sont envoyés à la voie droite. <Remarques> ● Le réglage est fixé à V1+V2 si le commutateur OPERATION MODE est placé à la position SEPARATE. ● Le réglage est fixé à V1+V2 si le commutateur CONTROL est placé à la position REMOTE ou EXT VTR.		○
773	PB AUDIO SEL	<u>0000</u> 0001	<u>TR1/2</u> TR3/4	Permet de sélectionner les pistes de lecture lorsque le commutateur ANALOG AUDIO OUT est placé à la position "V1•V2". (Ce réglage est valide en mode 50 Mbps.) 0: Le son enregistré sur les pistes 1 et 2 est lu. 1: Le son enregistré sur les pistes 3 et 4 est lu.	○	○

Les valeurs soulignées représentent les réglages usine.

Menus de réglage

Menu d'écran à cristaux liquides

Rubrique		Valeur de réglage		Description des paramètres	V T R 1	V T R 2
N°	Affichage en surimpression	N°	Affichage en surimpression			
B00	LCD MODE	<u>0000</u>	AUTO	Permet de sélectionner les affichages de l'écran du moniteur à cristaux liquides. 0: Pendant la lecture, les affichages respectent l'information du ruban enregistré. Pendant une opération E-E (enregistrement, etc.), ils respectent le mode réglé aux rubriques n° 641 et n° 643 du menu de réglage. 1: Les affichages sont réglés de force en mode grand écran (16:9). 2: Les affichages sont réglés de force en mode normal (4:3).	○	○
		0001	WIDE			
		0002	NORMAL			
B01	LCD HUE	0000	-30	Permet de régler la teinte du moniteur à cristaux liquides. <Remarque> En mode 625i, cette rubrique n'apparaît pas.	○	○
		⋮	⋮			
		<u>0030</u>	0			
		⋮	⋮			
0060	30					
B02	LCD COLOR	0000	-30	Permet de sélectionner la couleur du moniteur à cristaux liquides.	○	○
		⋮	⋮			
		<u>0030</u>	0			
		⋮	⋮			
0060	30					

Les valeurs soulignées représentent les réglages usine.

Méthodes de fonctionnement

Enregistrement des signaux d'entrée externes via le magnétoscope 1

Il est possible d'entrer et d'enregistrer les signaux à composantes analogiques et les signaux composites analogiques avec le magnétoscope 1.

L'enregistrement avec le système 625i n'est pas possible.

- 1** Placer le commutateur OPERATION MODE (page 13) à la position SEPARATE.
- 2** Sélectionner si les signaux doivent être enregistrés en mode 50 Mbps ou en mode 25 Mbps à la rubrique n° 012 (SYS FORMAT) du menu de réglage.
- 3** Vérifier que "525" est bien sélectionné à la rubrique n° 070 (TV SYSTEM) du menu de réglage.
<Remarque>
Si le réglage "525" ou "625" a été modifié, couper le contact puis le rétablir.
- 4** **Sélection des signaux d'entrée vidéo**
Sélectionner l'entrée des signaux à composantes analogiques ou des signaux composites analogiques à la rubrique n° 670 (V IN SEL) du menu de réglage.
- 5** **Sélection des signaux d'entrée audio**
Régler le commutateur ANALOG AUDIO IN, et raccorder les signaux aux connecteurs du panneau arrière comme indiqué à la page 26.
- 6** Sélectionner le magnétoscope 1 avec la touche VTR1, et appuyer sur la touche PLAY tout en maintenant la pression sur la touche REC.
- 7** Pour arrêter l'enregistrement, appuyer sur la touche STOP ([SHIFT] + [PLAY]) alors que le magnétoscope 1 est sélectionné.
L'enregistrement pourra également être arrêté en appuyant simultanément sur les touches FF et REW.

Enregistrement des signaux d'entrée externes via le magnétoscope 2

Il est possible d'entrer et d'enregistrer les signaux à composantes analogiques, les signaux composites analogiques, et les signaux numériques à composantes série avec le magnétoscope 2.

Avec le système 625i, seul l'enregistrement des signaux numériques à composantes série est possible.

- 1** Placer le commutateur OPERATION MODE (page 13) à la position SEPARATE.
- 2** Sélectionner si les signaux doivent être enregistrés en mode 50 Mbps ou en mode 25 Mbps à la rubrique n° 012 (SYS FORMAT) du menu de réglage.
- 3** Vérifier que "525" est bien sélectionné à la rubrique n° 070 (TV SYSTEM) du menu de réglage pour l'entrée de signaux analogiques.
Pour l'entrée de signaux SDI, sélectionner "525" ou "625" en fonction des signaux d'entrée.
<Remarques>
 - Si le réglage "525" ou "625" a été modifié, couper le contact puis le rétablir.
 - Il n'est pas possible de régler le magnétoscope 1 et le magnétoscope 2 sur des systèmes TV différents.
- 4** **Sélection des signaux d'entrée vidéo**
Sélectionner l'entrée des signaux à composantes analogiques ou des signaux composites analogiques à la rubrique n° 670 (V IN SEL) du menu de réglage.
- 5** **Sélection des signaux d'entrée audio**
Régler le commutateur ANALOG AUDIO IN, et raccorder les signaux aux connecteurs du panneau arrière comme indiqué à la page 26.
- 6** Sélectionner le magnétoscope 2 avec la touche VTR2, et appuyer sur la touche PLAY tout en maintenant la pression sur la touche REC.
- 7** Pour arrêter l'enregistrement, appuyer sur la touche ALL STOP .
L'enregistrement pourra également être arrêté en appuyant sur la touche STOP ([SHIFT] + [PLAY]) alors que le magnétoscope 2 est sélectionné, ou en appuyant simultanément sur les touches FF et REW.

Méthodes de fonctionnement

Lecture via le magnétoscope 1, magnétoscope 2

Il est possible de lire et d'envoyer les signaux à composantes analogiques, les signaux composites analogiques, et les signaux numériques à composantes série avec le magnétoscope 1 et le magnétoscope 2.

- 1** Placer le commutateur OPERATION MODE (page 13) à la position SEPARATE.
- 2** Sélectionner AUTO à la rubrique n° 013 (PB FORMAT) du menu de réglage. Si MANU est sélectionné, sélectionner le réglage de la rubrique n° 012 (SYS FORMAT) du menu de réglage correspondant au format du ruban de lecture.
- 3** Sélectionner "525" ou "625" à la rubrique n° 070 (TV SYSTEM) du menu de réglage, en fonction du ruban de lecture.
<Remarques>
 - Si le réglage "525" ou "625" a été modifié, couper le contact puis le rétablir.
 - Il n'est pas possible de régler le magnétoscope 1 et le magnétoscope 2 sur des systèmes TV différents.
- 4** Pour l'envoi de signaux vidéo analogiques, sélectionner l'envoi des signaux à composantes analogiques ou des signaux composites analogiques à la rubrique n° 670 (V IN SEL) du menu de réglage.
- 5** Pour l'envoi de signaux numériques à composantes série, sélectionner le magnétoscope d'envoi SDI à la rubrique n° 174 (SDI OUT) du menu de réglage. (Le magnétoscope sélectionné sera le magnétoscope 1 ou le magnétoscope 2 puisqu'il n'y a qu'un seul système de sortie SDI.)
- 6** Régler le commutateur ANALOG AUDIO OUT et raccorder les signaux aux connecteurs du panneau arrière comme indiqué à la page 27.
- 7** Si nécessaire, entrer le signal vidéo référence au connecteur REF VIDEO IN, et utiliser la commande de codeur sur le panneau latéral pour régler le codeur et/ou le système. (Voir page 23.)
- 8** Sélectionner le magnétoscope avec la touche VTR1 ou VTR2, et appuyer sur la touche PLAY.
- 9** Pour arrêter la lecture, sélectionner le magnétoscope sur lequel arrêter la lecture, et appuyer sur la touche STOP ([SHIFT] + [PLAY]). La lecture pourra également être arrêtée en appuyant simultanément sur la touche FF et sur la touche REW.
Le magnétoscope 2 s'arrête quand la touche ALL STOP est pressée.

Préparatifs du ruban pour le montage

Avant de procéder au montage, il faudra enregistrer le signal de salve du noir, le signal de base de temps et le signal de commande sur le ruban.

La méthode des préparatifs du ruban varie selon qu'il s'agit d'un montage par assemblage ou d'un montage par insertion.

Préparatifs du ruban pour le montage par assemblage

Pour un montage par assemblage, il faudra prévoir une période de pré-enroulement avant le premier point d'entrée du montage par assemblage.

La fonction 1er montage (1ST EDIT) offre un moyen de préparer la période de pré-enroulement en toute facilité.

Pour la deuxième fois et les fois suivantes, il ne sera pas nécessaire d'effectuer l'opération 1ST EDIT puisque la section montée la fois précédente servira de période de pré-enroulement.

1 Régler les valeurs du signal de base de temps et des bits de l'utilisateur qui doivent servir de premier point d'entrée de montage par assemblage aux rubriques n° 377 (1ST EDIT TC) et n° 378 (1ST EDIT UB) du menu de réglage.

<Remarque>

Sélectionner le "Drop Frame" ou le "Non Drop Frame" à la rubrique n° 509 (DF MODE) du menu de réglage.

2 Sélectionner la durée de la période d'enregistrement à la rubrique n° 376 (1ST EDIT DUR) du menu de réglage. Pour un montage par assemblage, sélectionner "26s" (26 secondes = période de pré-enroulement de 23 secondes + chevauchement de 3 secondes).

3 Revenir au mode normal, appuyer sur la touche VTR2 pour sélectionner le magnétoscope, et enregistrer le point d'entrée avec la touche MARK IN.

La position actuelle du ruban du magnétoscope 2 (appareil d'enregistrement) est réglée à 23 secondes avant la valeur du signal de base de temps réglé à l'étape **1**.

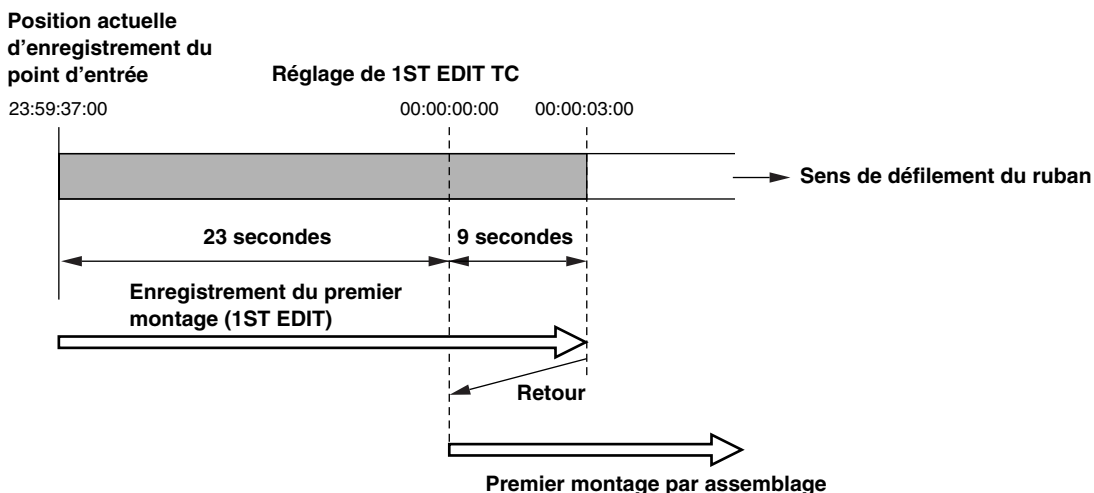
4 Appuyer sur la touche 1ST EDIT (SHIFT + ASMBL).

L'enregistrement du signal de salve du noir, du signal de base de temps et du signal de commande débute. (Le son est coupé.)

L'enregistrement s'effectue sur une durée totale de 26 secondes (23 secondes pour la période de pré-enroulement + 3 secondes après la valeur réglée pour le signal de base de temps), et le ruban revient à la position du signal de base de temps réglé, où il s'arrête.

Les préparatifs du montage par assemblage sont maintenant terminés.

Exemple: Lorsque 1ST EDIT TC est réglé à 00:00:00:00



Préparatifs du ruban pour le montage

Enregistrement des titres de montage (caractères et symboles)

Il est possible de surimprimer des caractères et des symboles sur les signaux vidéo (signaux de salve du noir) et de les enregistrer pendant environ 7 secondes après le début du premier montage, mais ceci n'est possible qu'en mode 525i.

L'enregistrement des titres de montage, dates d'entrée, numéros des appareils et autres informations semblables facilitera par la suite le travail de post-montage et les opérations de repérage.

1 Aligner le curseur sur la rubrique n° 379 (1ST-E TITLE) du menu de réglage, et appuyer sur la touche STILL pour afficher l'écran d'entrée des caractères.

2 Appuyer sur la touche SHIFT.
Le curseur clignote à la position où il est possible d'entrer les caractères.

3 Tout en maintenant la pression sur la touche SHIFT, sélectionner le caractère en appuyant sur la touche "+" ou "-".

Caractères:

ABCDEFGHIJKLMNOPQRSTUVWXYZ
0123456789,.;?!/~'()+-±* = → ←

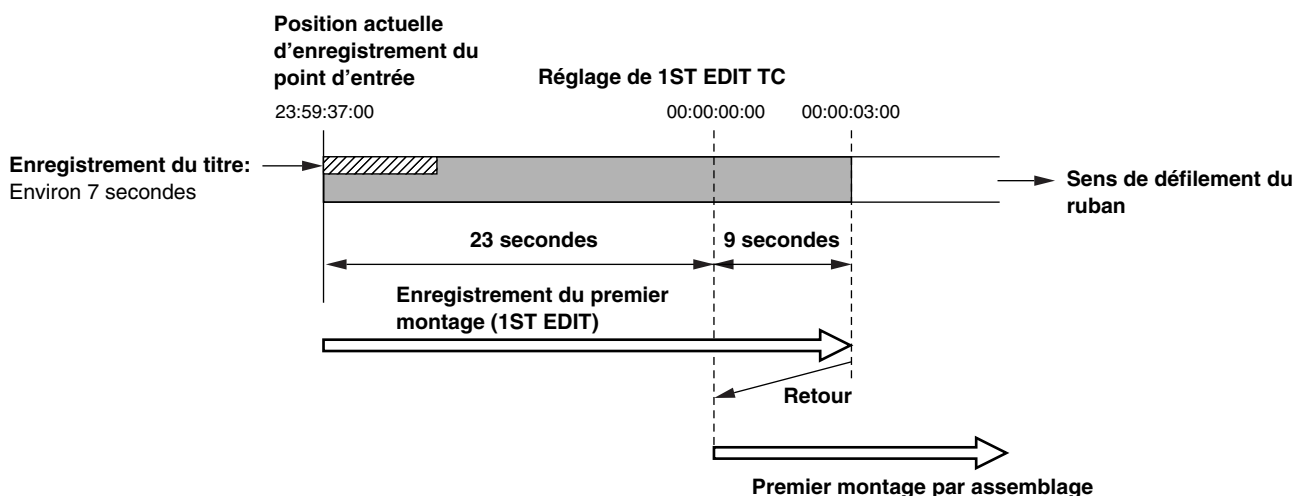
4 Tout en maintenant la pression sur la touche SHIFT, déplacer la position d'entrée du caractère en appuyant sur la touche "FF" ou "REW".

5 Répéter les étapes **3** et **4** pour entrer les autres caractères.

6 Lorsque l'entrée des caractères est terminée, relâcher la touche SHIFT, et appuyer sur la touche STILL pour fermer l'écran d'entrée des caractères.

7 Sélectionner ON à la rubrique n° 380 (2ST-E DISP) du menu de réglage.

8 Procéder au premier montage.



Préparatifs du ruban pour le montage

Préparatifs du ruban pour le montage par insertion

Pour un montage par insertion, il faudra enregistrer le signal de salve du noir, le signal de base de temps et le signal de commande sur toute la durée du montage, en plus de la période de pré-enroulement du ruban de montage par assemblage.

Méthode utilisant le 1er montage (1ST EDIT)

Lorsque T-END (fin de ruban) est sélectionné à l'étape 2 des préparatifs du ruban pour le montage par assemblage, l'enregistrement de premier montage continue jusqu'à la fin du ruban. Cela veut dire que le signal de salve du noir, le signal de base de temps et le signal de commande sont enregistrés pour toute la durée.

Méthode utilisant l'enregistrement normal

1 Appuyer sur la touche VTR2 pour sélectionner le magnétoscope 2, et appuyer sur la touche PLAY tout en maintenant la pression sur la touche REC. L'enregistrement débute sur le magnétoscope 2.

2 Si une valeur de préréglage a été réglée en mode préréglage du signal de base de temps (R-RUN), l'enregistrement débute à cette valeur préréglée. (Voir pages 74 à 76.)

<Remarque>

Si le ruban du montage par insertion doit comporter des barres de couleur ou une mire d'essai, entrer les signaux respectifs et placer le sélecteur d'entrée à la position applicable. (Voir page 51.)

Opérations de montage par coupure

Enregistrement des points de montage

Il y a trois façons d'enregistrer les points de montage.

1. Utilisation de la commande repérage pour repérer l'écran de montage, et réglage du point de montage avec la touche MARK IN ou MARK OUT

- 1** Sélectionner le magnétoscope dont les points de montage doivent être réglés avec la touche VTR1 ou VTR2.
- 2** Utiliser la commande repérage pour repérer le point de montage en mode repérage proportionnel ou en mode repérage progressif.
- 3** Arrêter temporairement le ruban au point de montage, et appuyer sur la touche MARK IN ou MARK OUT.
Le point d'entrée ou de sortie du montage est maintenant réglé.

2. Utilisation des touches numériques pour entrer directement le signal de base de temps et les points de montage

- 1** Sélectionner le magnétoscope dont les points de montage doivent être réglés avec la touche VTR1 ou VTR2.
- 2** Appuyer sur la touche IN ou sur la touche OUT.
- 3** Entrer le signal de base de temps sous forme de valeur numérique.
(Pour régler 8 minutes, 32 secondes et 09 images, appuyer sur "83209".)
- 4** La valeur est entrée quand la touche ENTER est pressée.

3. Spécification et réglage de la durée (durée de la période de montage)

- 1** Sélectionner le magnétoscope dont les points de montage doivent être réglés avec la touche VTR1 ou VTR2.
- 2** Après avoir réglé le point d'entrée de montage, appuyer sur la touche DUR.
- 3** Entrer la période de montage (durée) sous forme de valeur numérique.
(Pour régler 26 secondes et 07 images, appuyer sur "2607".)
- 4** La valeur est entrée quand la touche ENTER est pressée.

<Remarques>

- Les points de montage réglés sont indiqués par les voyants d'affichage du réglage des points de montage (voyant IN et voyant OUT).
- Si trois des quatre points— le point d'entrée et le point de sortie du magnétoscope 1 et le point d'entrée et le point de sortie du magnétoscope 2— sont réglés, la procédure de réglage des points de montage est terminée.
Le point restant sera automatiquement calculé au moment du montage.

Opérations de montage par coupure

Visionnement préalable

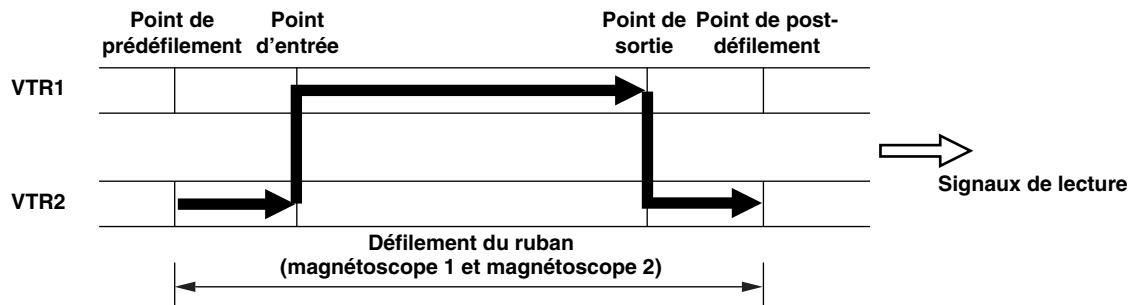
Le visionnement préalable est une répétition du montage avant de procéder véritablement au montage.

Lorsque la touche PREVIEW est pressée, l'événement indiqué par le voyant d'affichage de numéro d'événement est visionné préalablement.

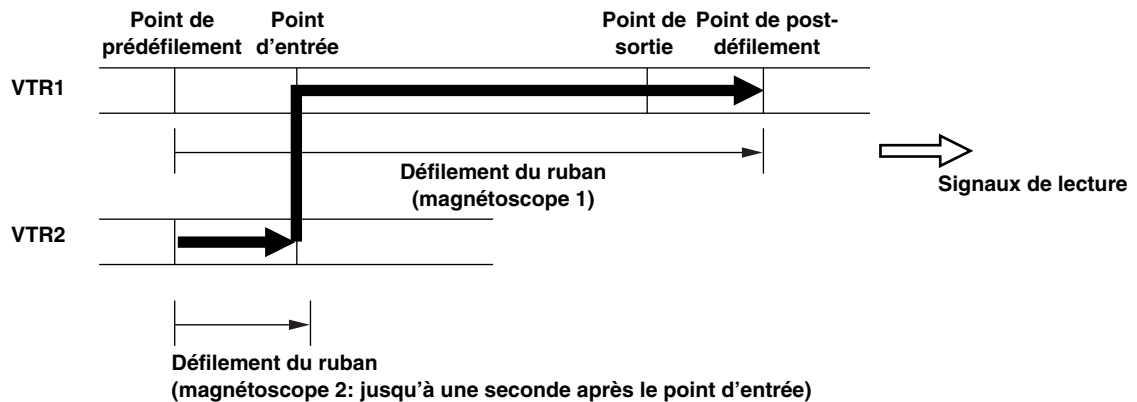
Les images et le son produits lors de la réalisation effective du montage sont reproduits à titre de simulation sur le moniteur du magnétoscope 2, ce qui permet de les vérifier préalablement.

La section du ruban qui est lue est la section comprise entre le point de prédéfilement et le point de post-défilement.

Visionnement préalable du montage par insertion



Visionnement préalable du montage par assemblage



Pour reprendre le visionnement préalable depuis le début à tout moment pendant le visionnement préalable:

- Appuyer de nouveau sur la touche PREVIEW.

Pour régler le point de sortie avant la position où elle est déjà réglée à tout moment pendant le visionnement préalable:

- Appuyer sur la touche MARK OUT à la séquence où le point de sortie doit être réglé.

Pour suspendre temporairement le visionnement préalable et effectuer un montage automatique:

- Appuyer sur la touche AUTO EDIT.

Pour rappeler le contenu du visionnement préalable précédent:

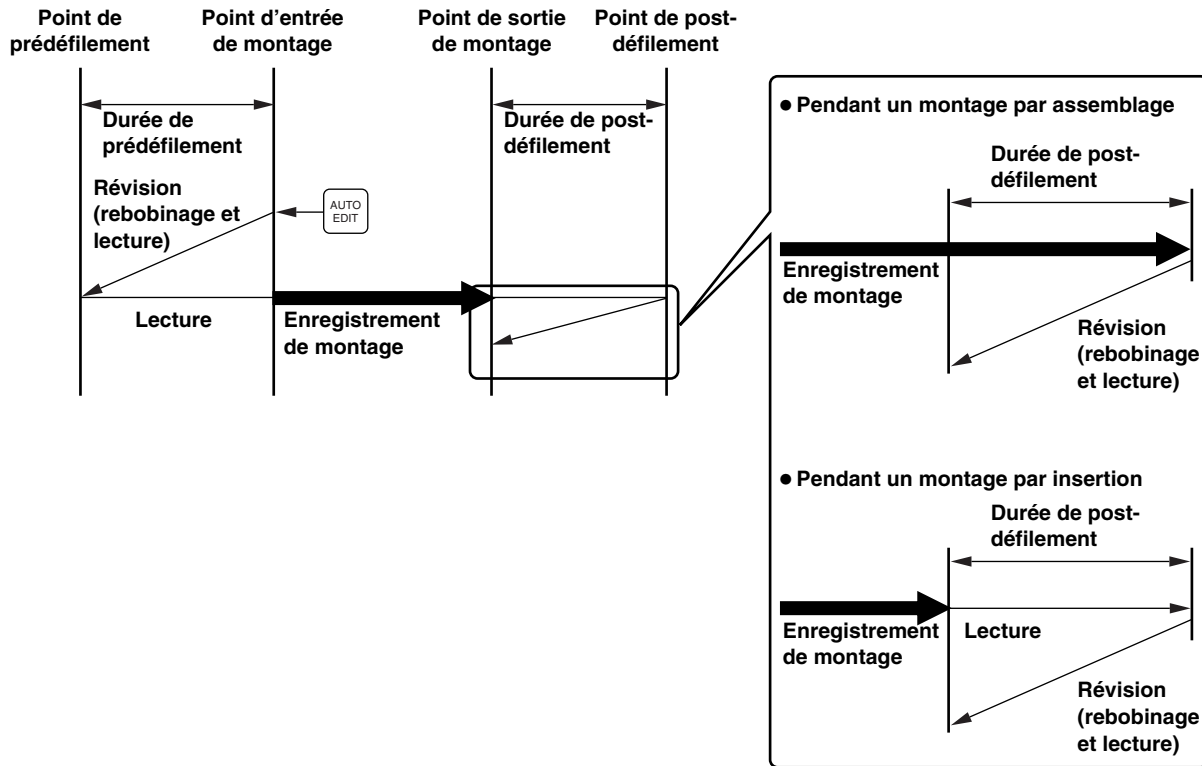
- Appuyer sur la touche LAST ED.

Chaque pression sur la touche rappelle alternativement le contenu du visionnement préalable précédent et le visionnement préalable actuel.

Opérations de montage par coupure

Exécution du montage

Appuyer sur la touche AUTO EDIT.

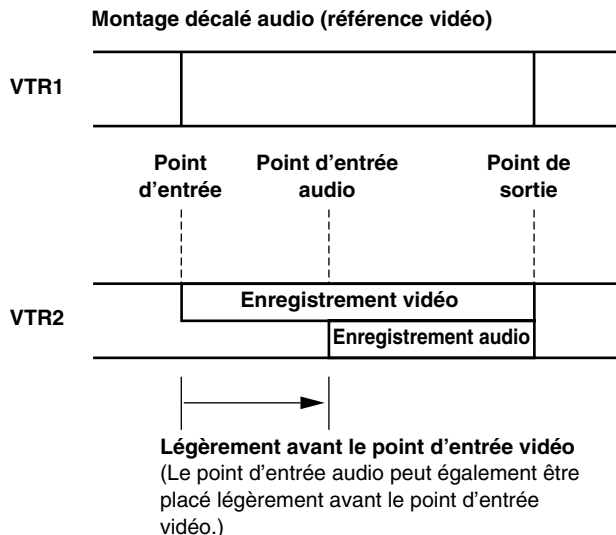


Révision

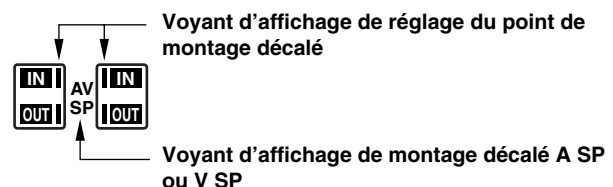
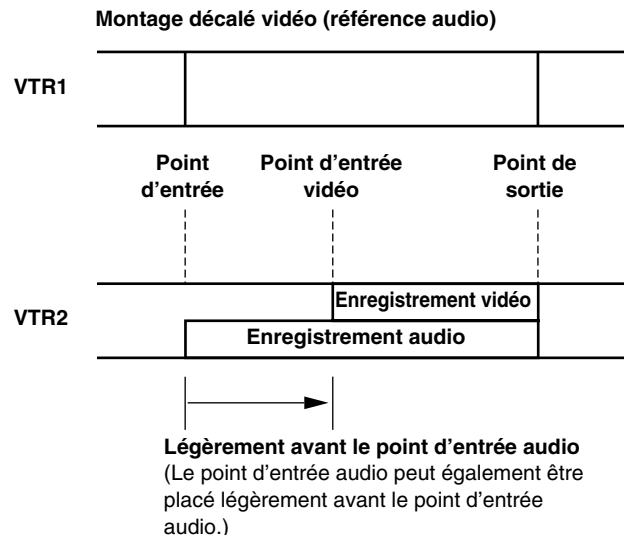
Appuyer sur la touche REVIEW ([SHIFT] + [PREVIEW]) quand le montage est terminé.
Le montage est lu du point de prédéfilement au point de post-défilement.

Opérations de montage décalé

Avec le montage par insertion, il est possible de régler le point d'entrée audio légèrement avant le point d'entrée vidéo. (Montage décalé audio)



Pareillement, il est possible de régler le point d'entrée vidéo légèrement avant le point d'entrée audio. (Montage décalé vidéo)



1 Pour un montage décalé audio (référence vidéo), sélectionner "AUDIO" à la rubrique n° 375 (SPLIT EDIT) du menu de réglage ; pour un montage décalé vidéo (référence audio), sélectionner "VIDEO".

2 Valider l'insertion vidéo (touche V).

3 Sélectionner les voies dans lesquelles insérer les signaux audio avec la touche A1, la touche A2, la touche A3 ([SHIFT] + [A1]) ou la touche A4 ([SHIFT] + [A2]).

4 Régler les points d'entrée du magnéscope 1 et du magnéscope 2.
Avec un montage décalé audio, régler le point d'entrée vidéo ; avec un montage décalé vidéo, régler le point d'entrée audio.
Le voyant IN des voyants d'affichage de réglage du point de montage est éclairé.

<Remarque>

Les étapes **5**, **6** et **7** pourront être sautées en appuyant sur la touche ([SHIFT] + [MARK IN]) après l'étape **4**.

5 Appuyer sur la touche SPLIT de façon à éclairer le témoin électroluminescent au-dessus de la touche.

6 Repérer le point d'entrée de décalage (point d'entrée audio pour le montage décalé audio, et le point d'entrée vidéo pour le montage décalé vidéo) sur le magnéscope 1 ou le magnéscope 2, et appuyer sur la touche MARK IN pour régler le point.

Le voyant d'affichage de réglage du point de montage décalé s'éclaire pour le magnéscope sur lequel le point de décalage a été réglé, et le voyant A SP ou V SP s'éclaire.

7 Appuyer de nouveau sur la touche SPLIT.
Le témoin électroluminescent au-dessus de la touche SPLIT se met à clignoter pour indiquer que le point de décalage est réglé.

8 Régler le point de sortie du magnéscope 1 ou du magnéscope 2.
(Ou bien, il sera possible d'effectuer un montage ouvert.)

9 Appuyer sur la touche AUTO EDIT pour exécuter le montage.
(Ou bien, un visionnement préalable pourra être effectué.)

<Remarque>

Si la touche DUR est pressée pendant que le témoin électroluminescent est éclairé au-dessus de la touche SPLIT, la valeur du décalage s'affiche au compteur.

Montage sans réglage du point d'entrée de montage (parcage et montage)

Il est possible d'effectuer le montage sans régler les points d'entrée du magnétoscope 1 et du magnétoscope 2.

1 Faire fonctionner le magnétoscope 1 et le magnétoscope 2, et repérer les endroits qui serviront de points d'entrée.

2 Appuyer sur la touche PREVIEW.
La position où la touche est pressée est automatiquement réglée comme point d'entrée de montage, et le visionnement préalable s'effectue.
Si les points de sortie ne sont pas réglés non plus, appuyer sur la touche MARK OUT pendant le visionnement préalable à l'endroit qui doit servir de point de sortie.
La position où la touche est pressée est automatiquement réglée comme point de sortie de montage.

3 Appuyer sur la touche AUTO EDIT pour procéder au montage.

<Remarque>

Pour procéder au montage en sautant le visionnement préalable, appuyer sur la touche AUTO EDIT à l'étape **2** au lieu de la touche PREVIEW, puis effectuer le montage.

La position où la touche AUTO EDIT est pressée est automatiquement réglée comme point d'entrée, et le montage s'effectue.

Montage utilisant uniquement le réglage du point d'entrée de montage (montage ouvert)

1 Régler les points d'entrée du magnétoscope 1 et du magnétoscope 2.

2 Appuyer sur la touche PREVIEW pour procéder au visionnement préalable.

3 Pendant le visionnement préalable, appuyer sur la touche MARK OUT à l'endroit qui doit servir de point de sortie.

<Remarque>

Pour procéder au montage en sautant le visionnement préalable, appuyer sur la touche AUTO EDIT à l'étape **2** au lieu de la touche PREVIEW, puis effectuer le montage.

Appuyer sur la touche AUTO EDIT ou sur la touche MARK OUT à la position où le montage doit prendre fin.

La position où la touche est pressée est réglée comme point de sortie.

Montage par étiquetage automatique

Avec cette fonction de montage, le point de sortie de montage enregistré est automatiquement réglé comme point d'entrée de montage de la session de montage suivante (prochain événement).

Ceci permet d'effectuer un montage continu d'un événement à l'autre sans avoir à régler les points d'entrée.

Cette fonction est pratique pour effectuer des montages à la même position.

1 Sélectionner REC1, REC2 ou ALL à la rubrique n° 313 (AUTO ENTRY) du menu de réglage.
(Ceci sélectionne le magnétoscope dont le point d'entrée doit être réglé automatiquement.)

2 Procéder au montage automatique.

3 Lorsque le montage d'un événement est terminé et qu'il se poursuit sur l'événement suivant, le point d'entrée du magnétoscope sélectionné à l'étape **1** est déjà réglé, de sorte que les points de montage restants sont réglés, et le montage de l'événement suivant s'effectue.

Montage d'image fixe/montage de ralenti

1 Régler le point d'entrée et le point de sortie du magnétoscope 1 (appareil de lecture) à la même position.

Après avoir sélectionné le magnétoscope 1 avec la touche VTR1, appuyer simultanément sur la touche MARK IN ou MARK OUT pour régler le point d'entrée et le point de sortie à la même position.

2 Sélectionner le magnétoscope 2 avec la touche VTR2, et régler le point d'entrée et le point de sortie du magnétoscope 2 (appareil d'enregistrement), respectivement.

Il est possible d'effectuer un montage ouvert même si seul le point d'entrée est réglé.

3 Sélectionner le magnétoscope 1 (appareil de lecture), et tourner la commande repérage pour faire défiler le ruban à la vitesse désirée.

Dans l'éventualité d'un montage d'arrêt sur image, régler la vitesse à 0 fois (SHTL 0, STILL).

Les vitesses de ralenti qu'il est possible de sélectionner sont 0 fois, 0,03 fois, 0,1 fois, 0,2 fois, 0,3 fois et 0,43 fois (sens avant).

4 Appuyer sur la touche AUTO EDIT pour procéder au montage. La vitesse du magnétoscope 1 (appareil de lecture) lorsque la touche AUTO EDIT a été pressée est mémorisée, et le montage de ralenti s'effectue.

<Remarques>

- Le montage d'image fixe et le montage de ralenti sont possibles lorsque le commutateur OPERATION MODE est placé à la position INT.
- Dans l'éventualité d'un montage de ralenti, la précision du montage n'est pas garantie.

Fonction de saut de signal de base de temps

Normalement, il n'est pas possible d'effectuer un montage correctement s'il y a une discontinuité dans le signal de base de temps pendant la période de prédéfilement.

Toutefois, avec la fonction saut de signal de base de temps, il est possible de monter la période de prédéfilement en utilisant le signal de commande comme signal référence, et de monter la période de

mémoire de montage qui suit le point d'entrée en utilisant le signal de base de temps comme référence. Le registre affiche constamment le signal de base de temps et, même s'il y a une discontinuité dans le signal de base de temps pendant la période de prédéfilement, le montage s'effectuera comme si le signal de base de temps était continu.

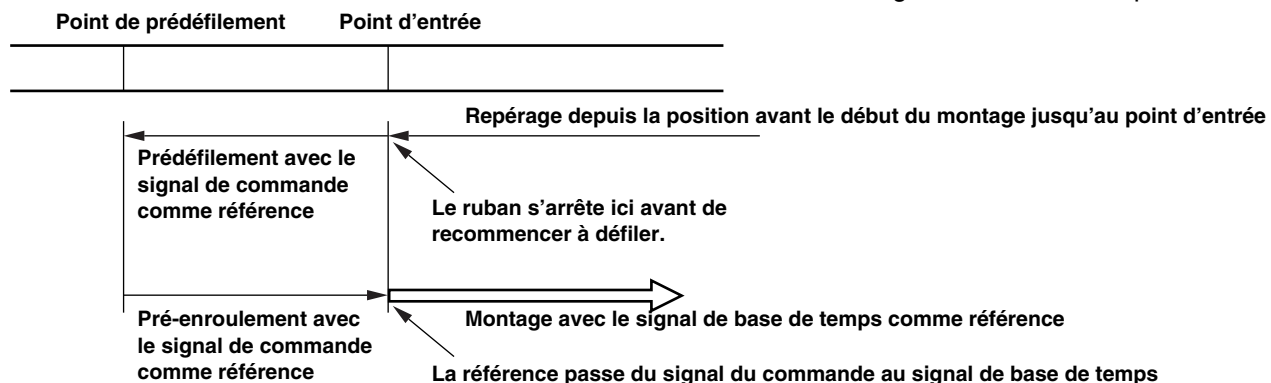
1 Sélectionner VTR1, VTR2 ou ALL à la rubrique n° 571 (TC JUMP) du menu de réglage. (Ceci permet de sélectionner le ou les magnétoscopes qui seront utilisés pour la fonction saut de signal de base de temps.)

2 Procéder au montage normal.

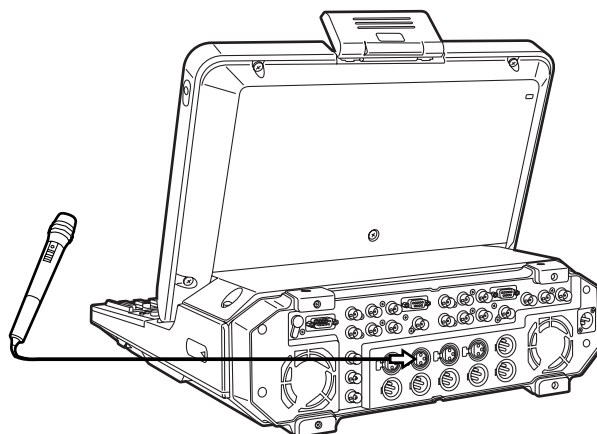
<Remarque>

Lorsque la fonction saut de signal de base de temps est utilisée, le ruban est repéré jusqu'au point d'entrée pendant le visionnement préalable, le montage automatique ou la révision, puis le prédéfilement s'effectue. Ceci se produit parce que le prédéfilement et le pré-enroulement sont exécutés en utilisant comme référence le signal de commande au point d'entrée repéré.

Après le pré-enroulement, lorsque le mode enregistrement est établi de nouveau depuis le point d'entrée, la référence de montage passe du signal de commande au signal de base de temps.



Enregistrement de voix hors champ (1)



Procéder comme suit pour ajouter un son (doublage audio, enregistrement de voix hors champ) tout en regardant les images de lecture.

Le son qui doit être enregistré est tout d'abord enregistré dans la mémoire, puis il est enregistré sur le ruban en procédant comme indiqué ci-dessous, ce qui permet d'effectuer l'enregistrement à l'endroit

précis où le son doit être ajouté.

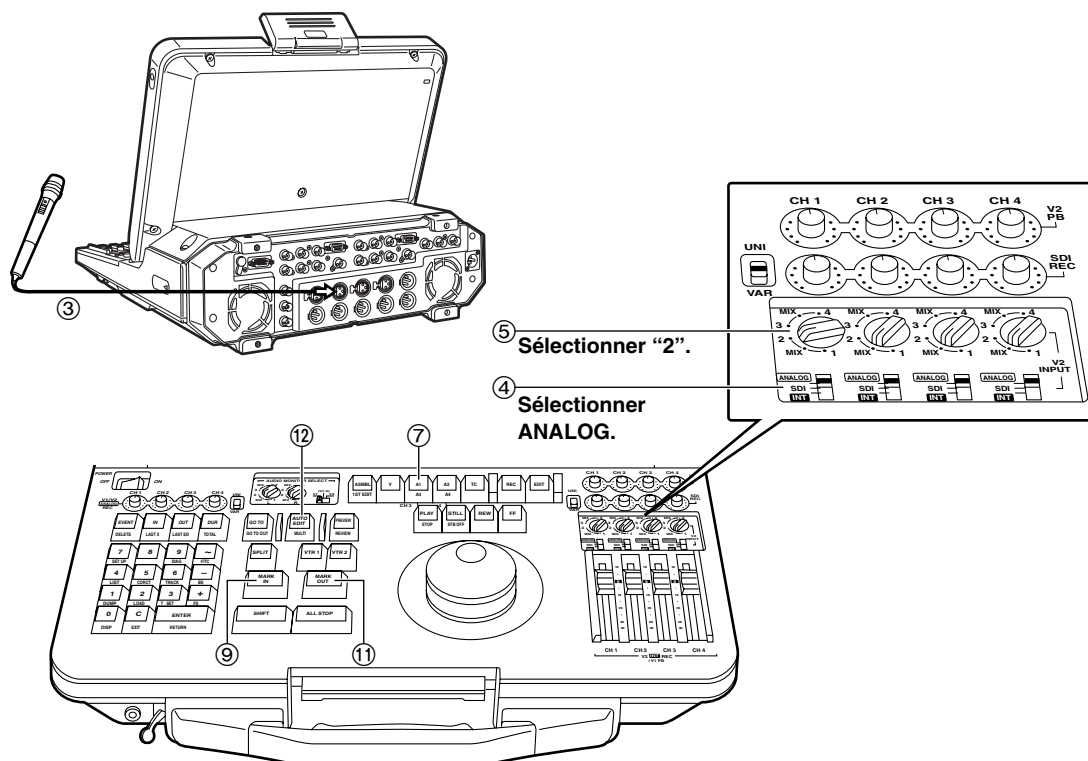
(La mémoire interne de l'appareil est capable d'enregistrer environ 20 secondes de son.)

<Remarque>

Le son ne pourra être enregistré que sur la voie 1 et sur la voie 2.

- 1** Sélectionner "INT_VO" à la rubrique n° 317 (AUD MEM MODE) du menu de réglage. "m" s'affiche à l'écran en surimpression du magnétoscope 2. (Voir page 85.)
- 2** Sélectionner la voie (voie 1 ou voie 2) d'enregistrement du son à la rubrique n° 318 (AUD MEM CH) du menu de réglage.
- 3** Raccorder les signaux audio à enregistrer. Lors du raccordement d'un microphone, le raccorder à la voie 2 sur le côté magnétoscope 2 (le deuxième connecteur AUDIO IN à partir de la gauche vu depuis le panneau arrière).
- 4** Placer le sélecteur AUDIO INPUT (ANALOG/SDI/INT) du magnétoscope 2 pour la voie à enregistrer à la position ANALOG.
- 5** Régler le sélecteur AUDIO INPUT (sélecteur de voie) du magnétoscope 2 pour la voie à enregistrer sur la voie d'entrée de signal audio.
- 6** Insérer la cassette de voix hors champ dans le magnétoscope 2.
- 7** Appuyer sur la touche insertion (A1, A2) de la voie sur laquelle le son doit être enregistré de façon que son voyant s'éclaire.
- 8** Appuyer sur la touche PLAY pour lire le ruban du magnétoscope 2.
- 9** Vérifier les images tout en regardant l'écran du moniteur du magnétoscope 2, et appuyer sur la touche MARK IN lorsque le ruban arrive à la position d'insertion de la voix hors champ (point d'entrée).
- 10** Entrer le son à enregistrer (via un microphone, etc.), l'appareil étant toujours en mode PLAY.
- 11** Appuyer sur la touche MARK OUT au point de sortie. Le son qui a été entré entre le point d'entrée et le point de sortie est enregistré dans la mémoire interne. Vingt secondes après l'enregistrement de ces données dans la mémoire interne, "o" s'affiche à l'écran en surimpression pour indiquer que la mémoire est pleine. (Voir page 85.)
- 12** Appuyer sur la touche AUTO EDIT pour exécuter le montage. Le son enregistré dans la mémoire s'enregistre sur le ruban.

Enregistrement de voix hors champ (1)



■ Exemple

Doublage (enregistrement de voix hors champ) du son d'un microphone sur la voie 1

- ① Sélectionner "INT_VO" à la rubrique n° 317 (AUD MEM MODE) du menu de réglage.
"m" s'affiche à l'écran en surimpression du magnétoscope 2. (Voir page 85.)
- ② Sélectionner la voie (voie 1, 2, 3 ou 4) d'enregistrement du son à la rubrique n° 318 (AUD MEM CH) du menu de réglage.
- ③ Raccorder le microphone à la voie 2 du magnétoscope 2.
Sélectionner "-60 dB" à la rubrique n° 702 (CH2 IN LV) du menu de réglage.
- ④ Placer le sélecteur AUDIO INPUT (ANALOG/SDI/INT, à l'extrême gauche) du magnétoscope 2 pour la voie 1 (la voie sur laquelle le son doit être enregistré) à la position ANALOG.
- ⑤ Régler le sélecteur AUDIO INPUT (sélecteur de voie, à l'extrême gauche) du magnétoscope 2 pour la voie 1 (la voie sur laquelle le son doit être enregistré) à la position "2" (voie à laquelle le microphone est raccordé).
- ⑥ Insérer la cassette dans le magnétoscope 2.
- ⑦ Appuyer sur la touche A1 (touche d'insertion de la voie sur laquelle le son doit être enregistré) de façon que son voyant s'éclaire.
- ⑧ Appuyer sur la touche PLAY pour lire le ruban du magnétoscope 2.
- ⑨ Vérifier les images tout en regardant l'écran du moniteur du magnétoscope 2, et appuyer sur la touche MARK IN lorsque le ruban arrive à la position d'insertion de la voix hors champ (point d'entrée).
- ⑩ Utiliser le microphone pour entrer le son, l'appareil étant toujours en mode PLAY.
- ⑪ Appuyer sur la touche MARK OUT au point de sortie.
Le son qui a été entré entre le point d'entrée et le point de sortie est enregistré dans la mémoire interne.
Vingt secondes après l'enregistrement de ces données dans la mémoire interne, "o" s'affiche à l'écran en surimpression pour indiquer que la mémoire est pleine. (Voir page 85.)
- ⑫ Appuyer sur la touche AUTO EDIT pour exécuter le montage.
Le son enregistré dans la mémoire s'enregistre sur le ruban.

Enregistrement de voix hors champ (2)

Il est également possible d'enregistrer une voix hors champ en procédant comme indiqué ci-dessous. Les étapes **1** à **7** sont les mêmes que pour l'enregistrement de voix hors champ (1).

- 1** Sélectionner "INT_VO" à la rubrique n° 317 (AUD MEM MODE) du menu de réglage. "m" s'affiche à l'écran en surimpression du magnétoscope 2. (Voir page 85.)
- 2** Sélectionner la voie (voie 1 ou voie 2) sur laquelle le son doit être enregistré à la rubrique n° 318 (AUD MEM CH) du menu de réglage.
- 3** Raccorder les signaux audio à enregistrer. Lors du raccordement d'un microphone, le raccorder à la voie 2 sur le côté magnétoscope 2 (le deuxième connecteur AUDIO IN à partir de la gauche vu depuis le panneau arrière).
- 4** Placer le sélecteur AUDIO INPUT (ANALOG/SDI/INT) du magnétoscope 2 pour la voie sur laquelle le son doit être enregistré à la position ANALOG.
- 5** Régler le sélecteur AUDIO INPUT (sélecteur de voie) du magnétoscope 2 pour la voie sur laquelle le son doit être enregistré sur la voie d'entrée de signal audio.
- 6** Insérer la cassette de voix hors champ dans le magnétoscope 2.
- 7** Appuyer sur la touche insertion (A1, A2) de la voie sur laquelle le son doit être enregistré de façon que son voyant s'éclaire.
- 8** Régler le point d'entrée et le point de sortie de l'enregistrement de voix hors champ.
- 9** Appuyer sur la touche PREVIEW pour effectuer un visionnement préalable.
- 10** Entrer le son à enregistrer (via un microphone, etc.) entre le point d'entrée et le point de sortie pendant le visionnement préalable. Le son entré est enregistré dans la mémoire interne. Vingt secondes après l'enregistrement de ces données dans la mémoire interne, "o" s'affiche à l'écran en surimpression pour indiquer que la mémoire est pleine. (Voir page 85.)
- 11** Appuyer sur la touche AUTO EDIT pour exécuter le montage. Le son enregistré dans la mémoire s'enregistre sur le ruban.

Enchaînement de voies audio

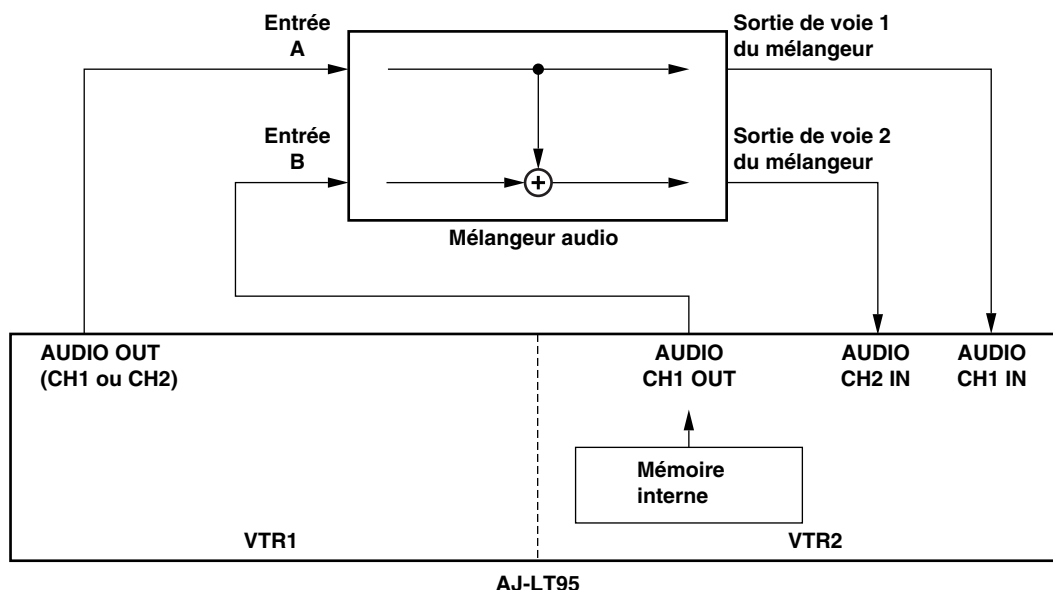
Il est possible d'effectuer un enchaînement de voies audio avec la mémoire audio interne en raccordant un mélangeur audio externe.

<Remarque>

Le son ne pourra être enregistré que sur la voie 1 et la voie 2.

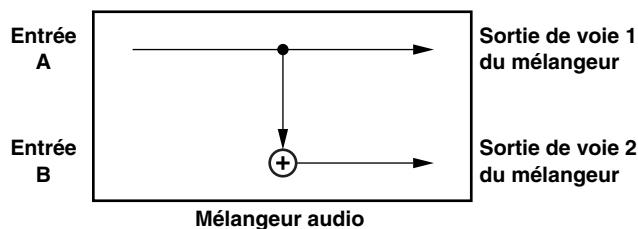
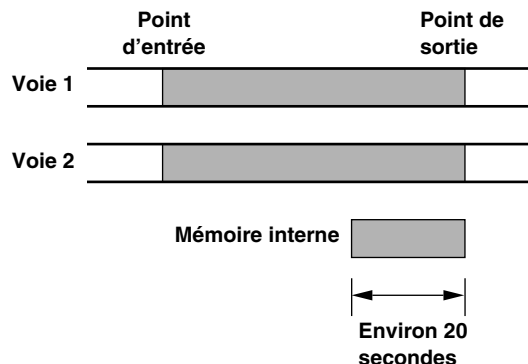
■ Exemple

Enregistrement d'enchaînement de signaux audio sur la voie 2



Procédure 1

- 1 Sélectionner "INT_X" à la rubrique n° 317 (AUD MEM MODE) du menu de réglage. "m" s'affiche à l'écran en surimpression du magnéscope 2. (Voir page 85.)
- 2 Sélectionner CH2 à la rubrique n° 318 (AUD MEM CH) du menu de réglage.
- 3 Appuyer sur les touches A1 et A2 de façon que leur voyant s'éclaire. (Insertion audio de voie 1 et de voie 2)
- 4 Régler les points de montage du magnéscope 1 et du magnéscope 2.
- 5 Faire fonctionner le mélangeur audio de façon que les signaux de sortie du magnéscope 1 (qui sont fournis à INPUT A du mélangeur audio) soient envoyés par les connecteurs MIXER CH1 OUT et MIXER CH2 OUT. (Couper l'entrée à INPUT B du mélangeur audio.)
- 6 Appuyer sur la touche AUTO EDIT pour exécuter le montage. Le même son (sortie du magnéscope 1) est enregistré par insertion sur la voie 1 et sur la voie 2 du magnéscope 2. A ce moment, le son qui a été enregistré pendant environ 20 secondes avant le point de sortie est également enregistré dans la mémoire interne.

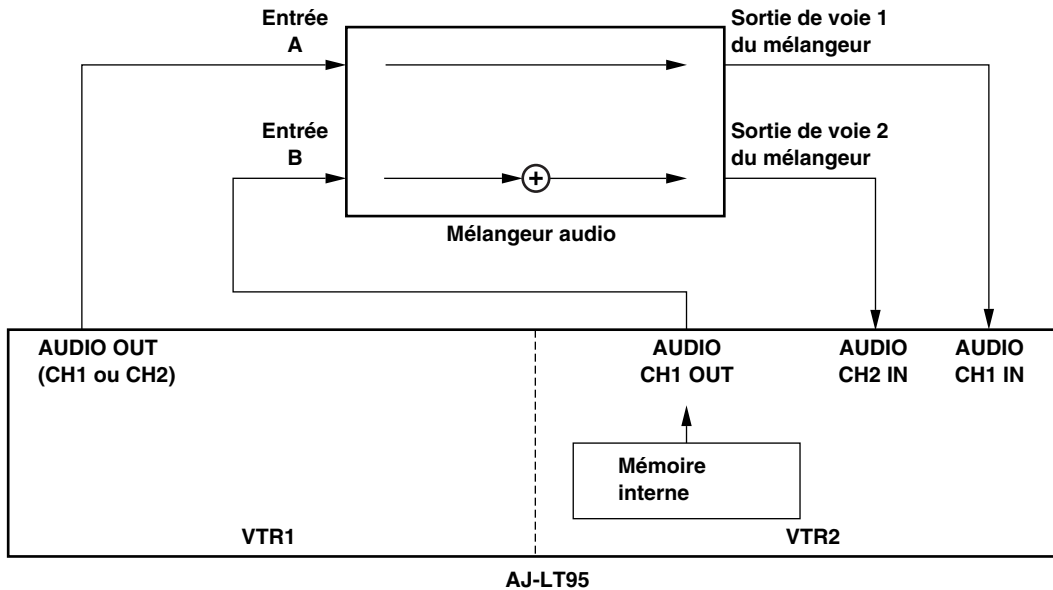


Enchaînement de voies audio

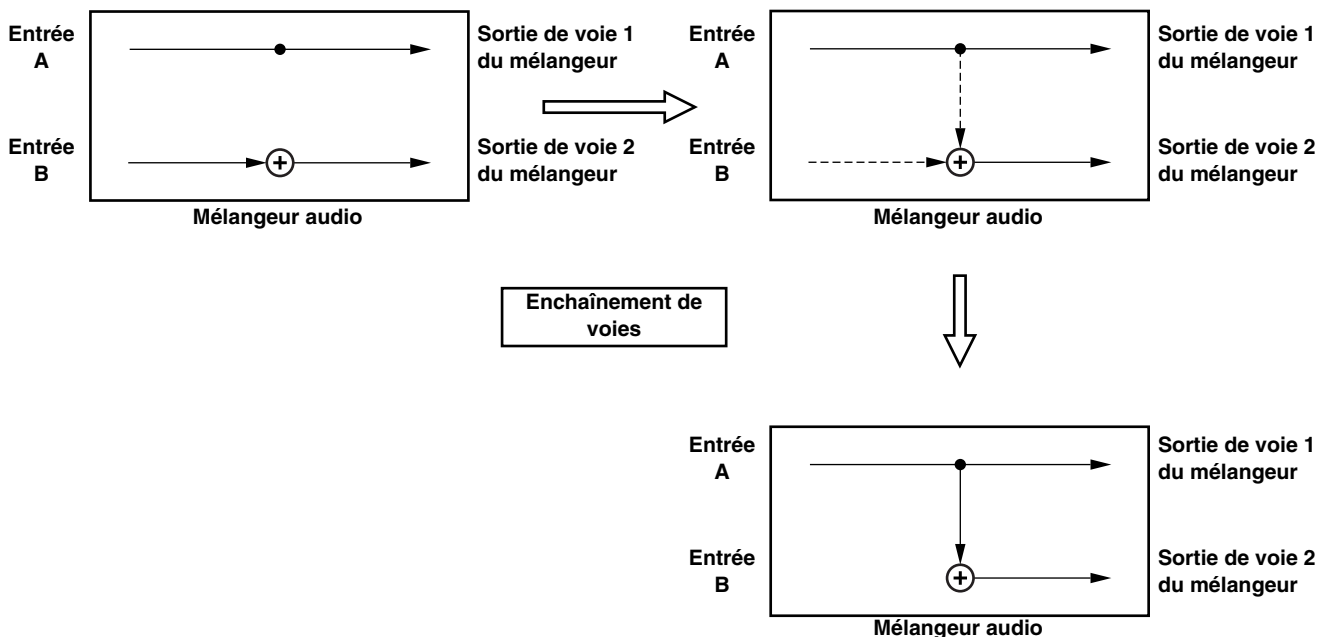
Procédure 2

- 1 Appuyer sur la touche A1 pour éteindre son voyant. Le témoin électroluminescent de la touche A2 reste éclairé.
(L'insertion audio de la voie 1 est libérée et seul le montage par insertion audio de la voie 2 s'effectue.)
- 2 Régler les points de montage du magnétoscope 1 et du magnétoscope 2.

- 3 Faire fonctionner le mélangeur audio de façon que les signaux de sortie du magnétoscope 1 (qui sont fournis à INPUT A du mélangeur audio) soient envoyés par le connecteur MIXER CH1 OUT, et les signaux de sortie de la voie 1 du magnétoscope 2 (entrés à INPUT B du mélangeur audio) soient envoyés par le connecteur MIXER CH2 OUT.

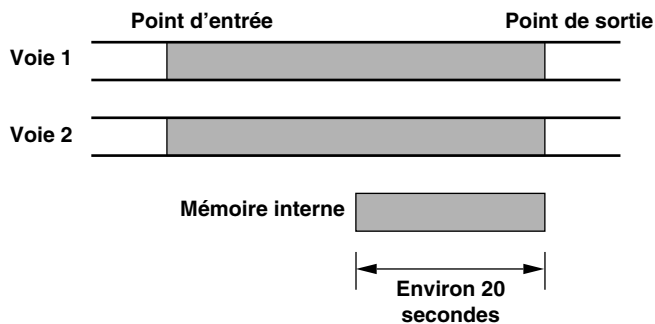


- 4 Appuyer sur la touche AUTO EDIT pour exécuter le montage. Lorsque l'enregistrement du montage débute au point d'entrée, faire fonctionner le mélangeur audio de façon à changer graduellement la sortie de MIXER CH2 OUT des signaux de sortie du magnétoscope 2 (sortie de mémoire interne, entrée INPUT B du mélangeur audio) aux signaux de sortie du magnétoscope 1 (entrée INPUT A du mélangeur audio). (Cette opération s'appelle un enchaînement de voies.)

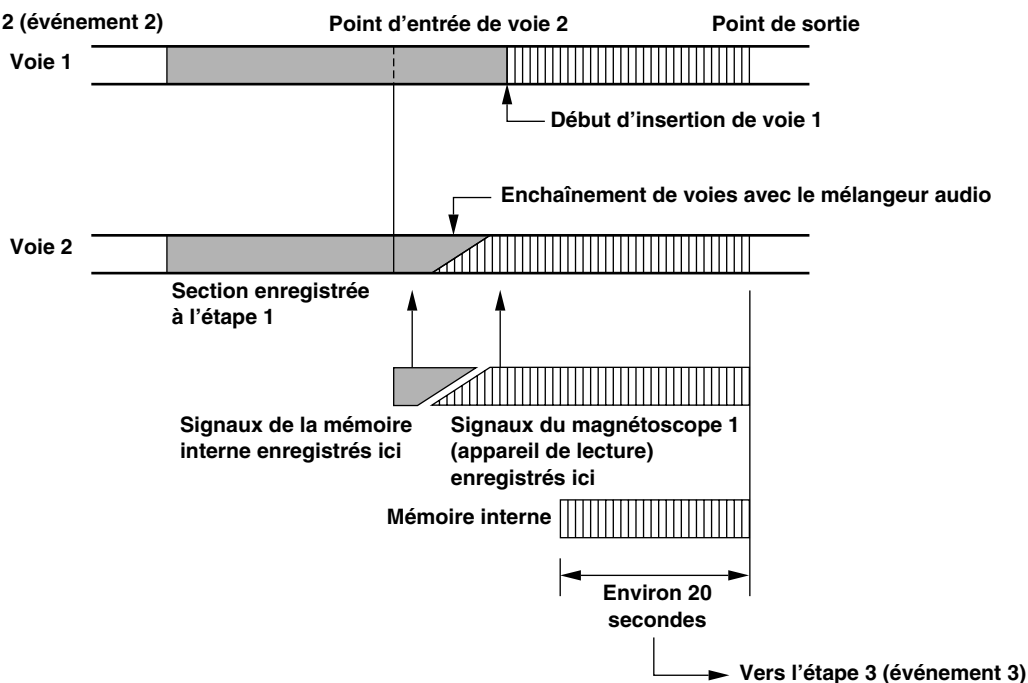


Enchaînement de voies audio

Étape 1 (événement 1)



Étape 2 (événement 2)



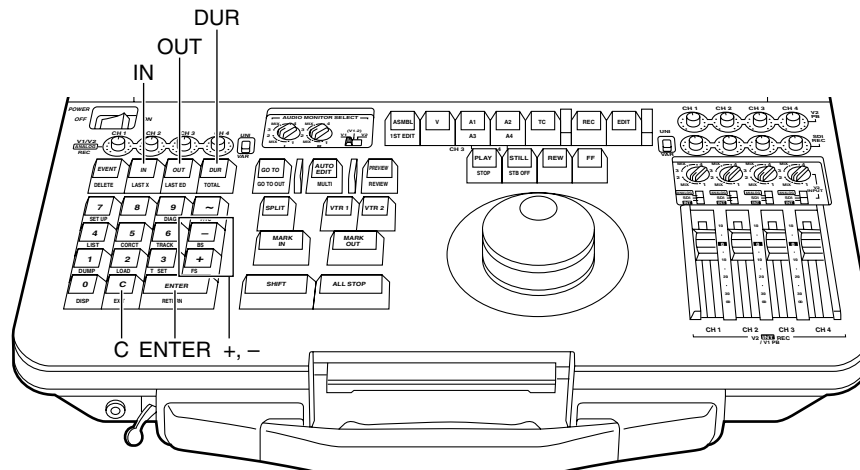
5 Pour effectuer l'opération d'enchaînement de voie audio suivante (événement suivant), appuyer sur la touche A1 pour débiter le montage par insertion de la voie 1 lorsque l'opération d'enchaînement de voie audio est terminée.

Le montage se termine au point de sortie. Toutefois, à ce moment, le son qui a été enregistré pendant environ 20 secondes avant le point de sortie est également enregistré dans la mémoire interne.

6 Pour continuer le montage, répéter les étapes depuis le point **1** de l'étape 2.

Modification et effacement des données de montage

Lorsqu'un point de montage a été mal réglé, procéder comme suit pour modifier ou effacer les données de montage.



■ Modification des points de montage (point d'entrée, point de sortie ou durée) une image à la fois (correction)

- Pour avancer le point d'entrée de montage d'une unité, appuyer sur la touche + tout en maintenant la touche IN pressée.
- Pour reculer le point d'entrée de montage d'une unité, appuyer sur la touche – tout en maintenant la touche IN pressée.
- Pour avancer le point de sortie de montage d'une unité, appuyer sur la touche + tout en maintenant la touche OUT pressée.
- Pour reculer le point de sortie de montage d'une unité, appuyer sur la touche – tout en maintenant la touche OUT pressée.
- Pour augmenter la durée d'une image, appuyer sur la touche + tout en maintenant la touche DUR pressée.
- Pour diminuer la durée d'une image, appuyer sur la touche – tout en maintenant la touche DUR pressée.

■ Modification des points de montage (point d'entrée, point de sortie ou durée)

Pour modifier un point d'entrée de montage de plus d'une image:

- ① Appuyer sur la touche IN.
- ② Pour reculer le point de montage, appuyer sur la touche + ; pour avancer le point de montage, appuyer sur la touche –.
- ③ Utiliser les touches numériques pour entrer la valeur dont le point de montage doit être augmenté ou diminué.
- ④ Appuyer sur la touche ENTER.

Pour modifier un point de sortie de montage, appuyer sur la touche OUT à la place de la touche IN à l'étape ①.

Pour modifier une durée, appuyer sur la touche DUR à la place de la touche IN à l'étape ①.

■ Effacement des points de montage (point d'entrée, point de sortie ou durée)

Pour effacer un point d'entrée de montage:

- ① Appuyer sur la touche IN
- ② Appuyer sur la touche C.
- ③ Appuyer sur la touche ENTER.

Pour effacer un point de sortie de montage, appuyer sur la touche OUT à la place de la touche IN à l'étape ①.

Pour effacer une durée, appuyer sur la touche DUR à la place de la touche IN à l'étape ①.

Enregistrement et rappel des données de montage

L'appareil renferme une mémoire EDL (liste des décisions de montage) qui permet d'enregistrer jusqu'à 200 événements.

Il est possible d'enregistrer les données de montage dans la mémoire EDL et, lorsque cela est nécessaire, de rappeler les données de l'événement désiré qui ont été enregistrées.

Il est également possible de modifier les données rappelées, de monter les événements un par un, et d'effectuer un montage multi-événements.

■ Exécution d'un montage et enregistrement des données de montage dans la mémoire EDL

Lorsque le montage est effectué en préparant les données de montage comme nouvel événement (un événement dont le numéro à 3 chiffres affiché sur les voyants d'affichage du numéro d'événement est suivi d'un "n"), les données s'enregistrent automatiquement dans la mémoire EDL lorsque le montage est terminé. Au même moment, le numéro d'événement augmente d'une unité, et les données de montage sont mises à jour.

■ Enregistrement des données de montage dans la mémoire EDL sans effectuer de montage

Lorsque les données de montage sont préparées comme nouvel événement et que la touche FS ([SHIFT] + [+]) est pressée, les données de montage s'enregistrent dans la mémoire EDL. Au même moment, le numéro d'événement augmente d'une unité, et les données de montage sont mises à jour.

Lorsque la touche FS est pressée après modification des données de montage d'un événement qui n'est pas un nouvel événement, un écran (avec le message CORRECT OK ?) s'affiche pour vérifier si les données modifiées doivent être enregistrées.

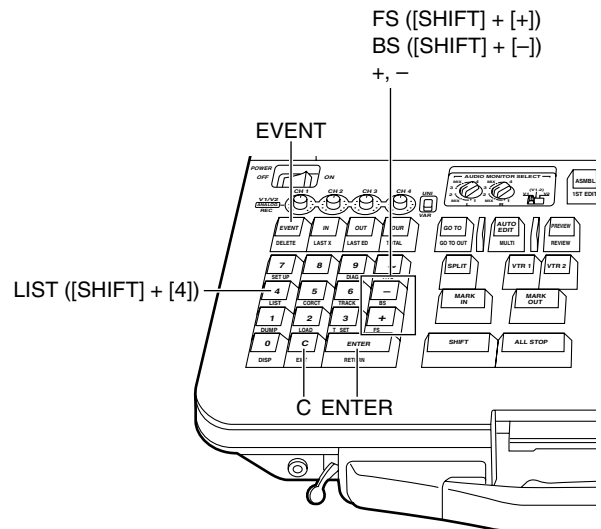
Si les données doivent être enregistrées, appuyer sur la touche ENTER ; sinon, appuyer sur la touche C.

Un traitement en cascade est également vérifié lorsque le point de sortie de montage du magnétoscope 2 (appareil d'enregistrement) a été modifié. Pour les détails, voir la section relative à la fonction correction (page 77).

<Remarque>

Si les événements 000 à 200 sont enregistrés alors que la rubrique n° 374 (EDL AUTO CLR) du menu de réglage a été invalidée, "FULL" apparaît sur les voyants d'affichage du numéro d'événement, et il n'est plus possible d'enregistrer d'autres événements. (L'écrasement est interdit.)

Si les données de montage sont enregistrées après l'événement 200 lorsque la rubrique ci-dessus a été validée, l'opération revient à l'événement 001, qui est ensuite écrasé, puis les données du nouvel événement sont enregistrées.



■ Rappel des données de montage précédant ou suivant l'événement affiché

Pour rappeler les données de montage de l'événement suivant, appuyer sur la touche FS ([SHIFT] + [+]).

Pour rappeler les données de montage de l'événement précédent, appuyer sur la touche BS ([SHIFT] + [-]).

■ Rappel des données de montage d'un événement à l'aide de son numéro d'événement

Après avoir appuyé sur la touche événement, utiliser les touches numériques pour entrer le numéro de l'événement en question, puis appuyer sur la touche ENTER.

■ Rappel des données de montage par repérage à l'écran

① Appuyer sur la touche LIST ([SHIFT] + [4]).

Les données de l'événement affiché actuellement à l'écran du moniteur ainsi que les données de l'événement précédent et de l'événement suivant s'affichent sous forme de liste.

Pour les détails sur le contenu de l'affichage, voir la section relative au traitement des données de montage (LIST).

② Faire défiler les données de montage à l'écran du moniteur avec la touche FS ou BS pour repérer les données de montage désirées.

③ Appuyer sur la touche ENTER.

Montage multi-événements

Lorsque plusieurs événements ont été enregistrés, il est possible de les monter en même temps.

1 Rappeler le premier des événements à monter.
(Voir la section relative à l'enregistrement et au rappel des données de montage.)

2 Appuyer sur la touche MULTI ([SHIFT] + [AUTO EDIT]).

Les données sont automatiquement montées depuis l'événement rappelé jusqu'au dernier événement.

Les données des événements supprimés (événements dont le numéro à 3 chiffres est précédé d'un "d") sont exclues du montage.

Exemple:

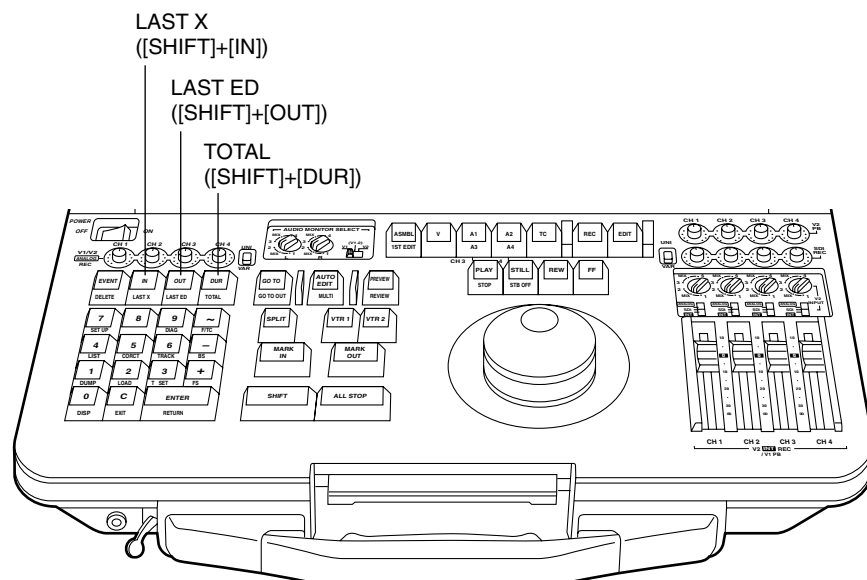
Lorsque les événements 001 à 050 ont été enregistrés et que seuls les événements 025 à 050 doivent être montés, rappeler l'événement 025, et procéder au montage multi-événements.

Si par exemple les événements 34, 35 et 48 ont été supprimés et qu'ils sont affichés comme "d034", "d035" et "d048", les événements 25 à 33, 36 à 37, 49 et 50 seront montés en succession.

<Remarque>

Appuyer sur la touche ALL STOP pour arrêter le montage multi-événements à tout moment. Appuyer sur la touche MULTI ([SHIFT] + [AUTO EDIT]) pour reprendre le montage.

LAST X/LAST ED/TOTAL



LAST X ([SHIFT] + [IN])

Cette touche permet de ré-enregistrer un événement qui a été supprimé.

Quand un événement a été supprimé, il est possible de le ré-enregistrer.

- Rappeler l'événement supprimé (celui portant l'indication "d" dans la section d'affichage de numéro d'événement), et appuyer sur la touche LAST X ([SHIFT] + [IN]).

L'indication "d" est remplacée par un affichage vide.

LAST ED ([SHIFT] + [OUT])

Cette touche permet de rappeler des données d'origine qui ont été visionnées préalablement et montées.

- Appuyer sur la touche LAST ED ([SHIFT] + [OUT]). Les données d'origine qui ont été visionnées préalablement et montées sont restaurées.
- Une nouvelle pression sur la touche LAST ED restaure les données de montage actuelles après le montage précédent. Chaque pression sur la touche LAST ED affiche alternativement les données d'origine et les données de montage actuelles.

Tampon LAST ED:

Les données automatiquement enregistrées dans le tampon LAST ED sont les toutes dernières données enregistrées dans la mémoire EDL et les données de visionnement préalable avant les modifications. Lorsque la touche LAST ED est pressée, les données enregistrées dans ce tampon sont rappelées. Cette fonction est pratique pour effectuer un visionnement préalable des données avant et après les modifications, pour l'éventualité où les données de montage avant le visionnement préalable conviendraient davantage dans l'optique du travail.

TOTAL ([SHIFT] + [DUR])

Cette touche permet de vérifier la durée totale du montage.

La durée totale du montage depuis le début du montage s'affiche.

Ceci permet de vérifier la durée du montage lors du montage d'un matériau ayant une longueur déterminée.

- Appuyer sur la touche TOTAL ([SHIFT] + [DUR]). Quand elle est maintenue pressée, la durée totale du montage s'affiche à la section d'affichage du temps du compteur du magnétoscope 2.

Temps de début et temps de fin:

Le temps qui sert de référence pour le calcul est déterminé par l'état de réglage des points de montage, etc.

La durée totale du montage est égale au temps de fin spécifié moins le temps de début.

Temps de début:

Normalement, le point d'entrée des données de montage du magnétoscope 2 (appareil d'enregistrement) réglé dans le premier événement de la mémoire EDL représente le point de début.

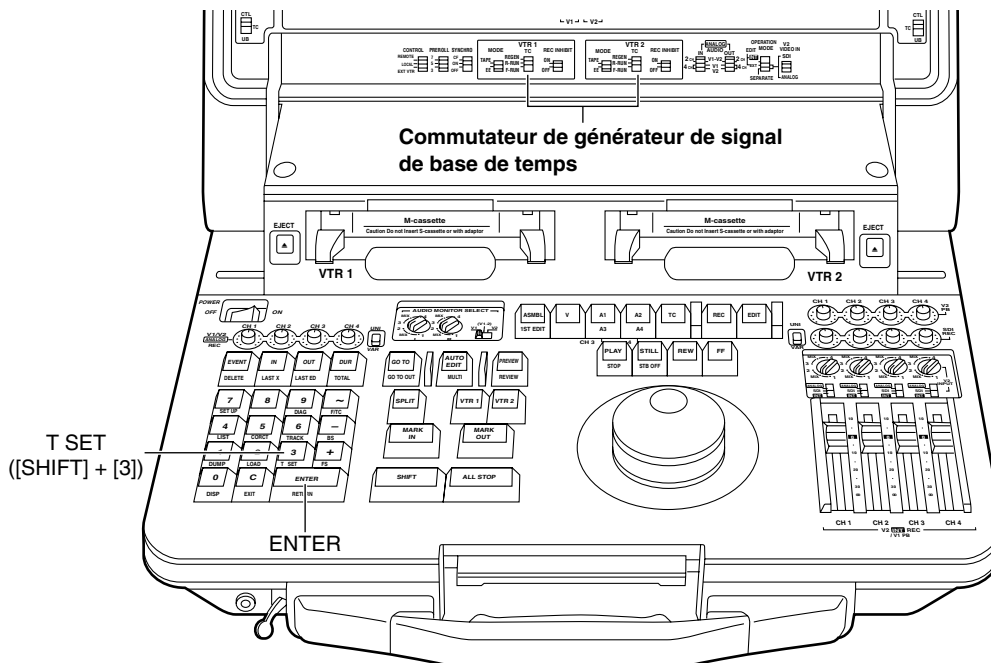
Temps de fin:

Le point de sortie de l'événement affiché du magnétoscope 2 (appareil d'enregistrement) représente le temps de fin.

Si le point de sortie n'est pas réglé, c'est le point d'entrée du magnétoscope 2 (appareil d'enregistrement) qui sert de temps de fin ; si le point d'entrée non plus n'est pas réglé, c'est le point de sortie de l'événement précédent du magnétoscope 2 (appareil d'enregistrement) qui sert de temps de fin.

Réglage du signal de base de temps (T SET)

Cette procédure est suivie du réglage de la valeur initiale du signal de base de temps pour l'enregistrement manuel ou pour un premier montage.



Pour effectuer un enregistrement manuel en réglant la valeur initiale du signal de base de temps

- 1 Placer le commutateur de générateur de signal de base de temps du magnétochrome qui doit effectuer l'enregistrement à la position R-RUN (REC RUN) ou F-RUN (FREE RUN).
En mode REC RUN, le signal de base de temps n'avance que pendant que l'appareil est en train d'enregistrer.
En mode FREE RUN, le signal de base de temps avance dès que le réglage du signal de base de temps est terminé (et il avance tout le temps que l'appareil est en contact.)
- 2 Appuyer sur la touche T SET ((SHIFT) + [3]).
- 3 Utiliser les touches numériques pour entrer la valeur initiale du signal de base de temps à enregistrer.
- 4 Appuyer sur la touche ENTER.
- 5 Lors d'un enregistrement manuel en pré réglant également les bits de l'utilisateur, effectuer les étapes ① à ④ suivantes.
 - ① Aligner le curseur sur la rubrique n° 574 (UB PRESET) du menu de réglage.
 - ② Appuyer sur la touche T SET ((SHIFT) + [3]).
 - ③ Utiliser les touches numériques pour entrer la valeur des bits de l'utilisateur. (Voir page 75.)
 - ④ Appuyer sur la touche ENTER.
- 6 Sélectionner le magnétochrome qui va effectuer l'enregistrement, et appuyer sur la touche REC et sur la touche PLAY pour débuter l'enregistrement.

<Remarque>

Lors d'un enregistrement manuel, il est possible de régler la valeur initiale du signal de base de temps en plaçant le commutateur du générateur de signal de base de temps à la position R-RUN ou F-RUN, quel que soit le réglage de la rubrique n° 504 (REGEN MODE) du menu de réglage.

Réglage du signal de base de temps (T SET)

Pour effectuer un premier montage (1ST EDIT) en réglant la valeur initiale du signal de base de temps

- 1 Aligner le curseur sur la rubrique n° 377 (1ST EDIT TC) du menu de réglage.
- 2 Appuyer sur la touche T SET ([SHIFT] + [3]).
- 3 Utiliser les touches numériques pour entrer la valeur du signal de base de temps.
- 4 Appuyer sur la touche ENTER.
- 5 Aligner le curseur sur la rubrique n° 378 (1ST EDIT UB) du menu de réglage.
- 6 Appuyer sur la touche T SET ([SHIFT] + [3]).
- 7 Utiliser les touches numériques pour entrer la valeur des bits de l'utilisateur.
- 8 Appuyer sur la touche ENTER.

<Remarque>

Pour entrer les lettres A à F, appuyer sur la touche SHIFT et sur l'une des touches suivantes.

- A ([SHIFT] + [1])
- B ([SHIFT] + [2])
- C ([SHIFT] + [3])
- D ([SHIFT] + [4])
- E ([SHIFT] + [5])
- F ([SHIFT] + [6])

Pour enregistrer un signal de base de temps dont la valeur initiale a été réglée pendant un montage par assemblage ou un montage par insertion du signal de base de temps (magnétoscope 2 seulement)

Cette opération est possible avec un montage ouvert, qui s'effectue sans régler le point de sortie.

- 1 Sélectionner "SW" à la rubrique n° 504 (REGEN MODE) du menu de réglage.
- 2 Placer le commutateur de générateur de signal de base de temps du magnétoscope 2 à la position R-RUN ou F-RUN.
- 3 Appuyer sur la touche T SET ([SHIFT] + [3]).
- 4 Utiliser les touches numériques pour entrer la valeur initiale du signal de base de temps à enregistrer.
- 5 Appuyer sur la touche ENTER.
- 6 Régler seulement le point d'entrée, puis procéder au montage par assemblage ou au montage par insertion du signal de base de temps.

<Remarques>

- Le fonctionnement ne s'effectuera pas correctement si le point de sortie est réglé.
- Si un réglage autre que "SW" (par exemple "AS&IN", "ASSEM" ou "INSRT") est sélectionné à la rubrique n° 504 (REGEN MODE) du menu de réglage, le signal de base de temps s'enregistre en mode REGEN (régénération) pendant une opération de montage réglée à la rubrique n° 504 du menu de réglage, quelle que soit la position du commutateur de générateur de signal de base de temps du magnétoscope 2.

Réglage du signal de base de temps (T SET)

Pour effectuer un montage par assemblage ou un montage par insertion du signal de base de temps en pré réglant les bits de l'utilisateur

- 1** Aligner le curseur sur la rubrique n° 574 (UB PRESET) du menu de réglage.
- 2** Appuyer sur la touche T SET ([SHIFT] + [3]).
- 3** Utiliser les touches numériques pour entrer la valeur des bits de l'utilisateur.
- 4** Appuyer sur la touche ENTER.
- 5** Sélectionner "SW" à la rubrique n° 504 (REGEN MODE) du menu de réglage.
- 6** Placer le commutateur de générateur de signal de base de temps du magnétoscope 2 à la position R-RUN ou F-RUN.
- 7** Procéder au montage par assemblage ou au montage par insertion du signal de base de temps.

<Remarque>

Pour entrer les lettres A à F, appuyer sur la touche SHIFT et sur l'une des touches suivantes.

- A ([SHIFT] + [1])
- B ([SHIFT] + [2])
- C ([SHIFT] + [3])
- D ([SHIFT] + [4])
- E ([SHIFT] + [5])
- F ([SHIFT] + [6])

CORCT/TRACK/DISP

Fonction correction (CORCT)

Cette fonction permet de corriger les données de montage d'un événement existant (dont les données de montage sont déjà enregistrées dans la mémoire), mais pas d'un nouvel événement.

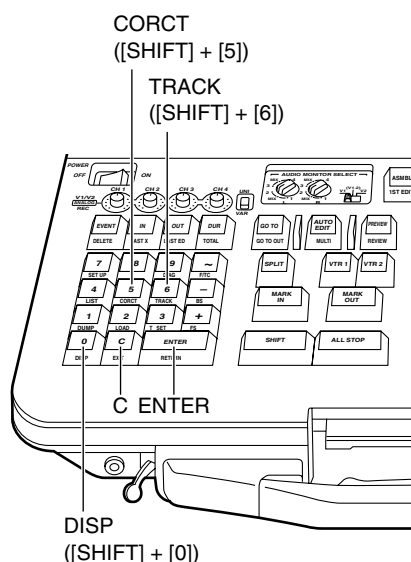
1 Appuyer sur la touche CORCT ([SHIFT] + [5]).
Les données modifiées sont enregistrées dans la mémoire EDL.

2 Lorsque le point de sortie du magnétoscope 2 (appareil d'enregistrement) a été modifié, un message (RIPPLE OK?) s'affiche pour confirmer si le traitement en cascade doit être exécuté. Si le traitement en cascade doit être exécuté, appuyer sur la touche ENTER. Sinon, appuyer sur la touche C.

3 Pour effectuer le traitement en cascade, entrer l'événement à exécuter ensuite. Si le traitement en cascade doit être exécuté pour tous les événements qui suivent un événement dont les données ont été modifiées, appuyer simplement sur la touche ENTER. Pour spécifier les événements pour lesquels le traitement en cascade doit être exécuté, entrer le numéro des événements en question à l'aide des touches numériques et de la touche [~].

Exemple:

Pour spécifier les événements 5 à 21, appuyer sur [5] ▶ [-] ▶ [2] ▶ [1], puis sur ENTER.



Fonction suivi (TRACK)

Cette fonction permet de régler les points de montage du magnétoscope 1 (appareil de lecture) en réponse à une modification du point d'entrée du magnétoscope 2 (appareil d'enregistrement).

1 Modifier le point d'entrée de montage du magnétoscope 2 (appareil d'enregistrement).

2 Appuyer sur la touche TRACK ([SHIFT] + [6]) pour établir le mode suivi.

- Les deux points (:) entre les heures et les minutes à l'affichage du compteur qui apparaît à l'écran du moniteur se transforment en un point (.) pour indiquer que le mode suivi est établi.
- Le signal de base de temps (UB ou CTL) indiqué au registre clignote pour indiquer que le mode suivi est établi.
- Le point d'entrée de montage du magnétoscope 1 (appareil de lecture) est automatiquement modifié d'une façon qui reflète la modification apportée à l'étape **1**.

3 Lorsqu'un point d'entrée de montage du magnétoscope 2 (appareil d'enregistrement) est modifié alors que l'appareil est en mode suivi, le point d'entrée de montage du magnétoscope 1 (appareil de lecture) est également modifié automatiquement d'une façon qui reflète la modification du magnétoscope 2.

4 Le mode suivi est libéré lorsque le point d'entrée de montage du magnétoscope 1 (appareil de lecture) est modifié.

<Remarque>

Le mode suivi étant automatiquement établi lorsque ALL a été réglé à la rubrique n° 313 (AUTO ENTRY) du menu de réglage, il n'est pas nécessaire d'établir le mode suivi en appuyant sur la touche TRACK ([SHIFT] + [6]).

Marche/arrêt d'affichage du moniteur (DISP)

Il est possible de valider ou d'invalider l'affichage de l'état, du mode de fonctionnement et des autres affichages d'information qui sont surimprimés sur le moniteur (moniteur à cristaux liquides, sortie VIDEO MONITOR), en appuyant sur la touche DISP ([SHIFT] + [0]).

Effacement des données de montage de la mémoire EDL

Effacement de la totalité des données de montage

- 1** Appuyer sur la touche EVENT.

- 2** Appuyer trois fois sur la touche 9 pour afficher “999” sur les voyants d’affichage du numéro d’événement.

- 3** Appuyer sur la touche ENTER tout en maintenant la touche SHIFT pressée.
Toutes les données de montage de la mémoire EDL sont effacées.
<Remarque>
Pareillement, il est possible d’effacer la totalité des données de montage de la mémoire EDL en appuyant simultanément sur les touches [SHIFT] + [ALL STOP] + [C].

Réglages du codeur

Lorsque les raccordements système sont terminés, il faut régler les signaux vidéo (ENCODER OUT) avant d'envoyer tout autre signal pour pouvoir obtenir un montage précis et sans erreur.

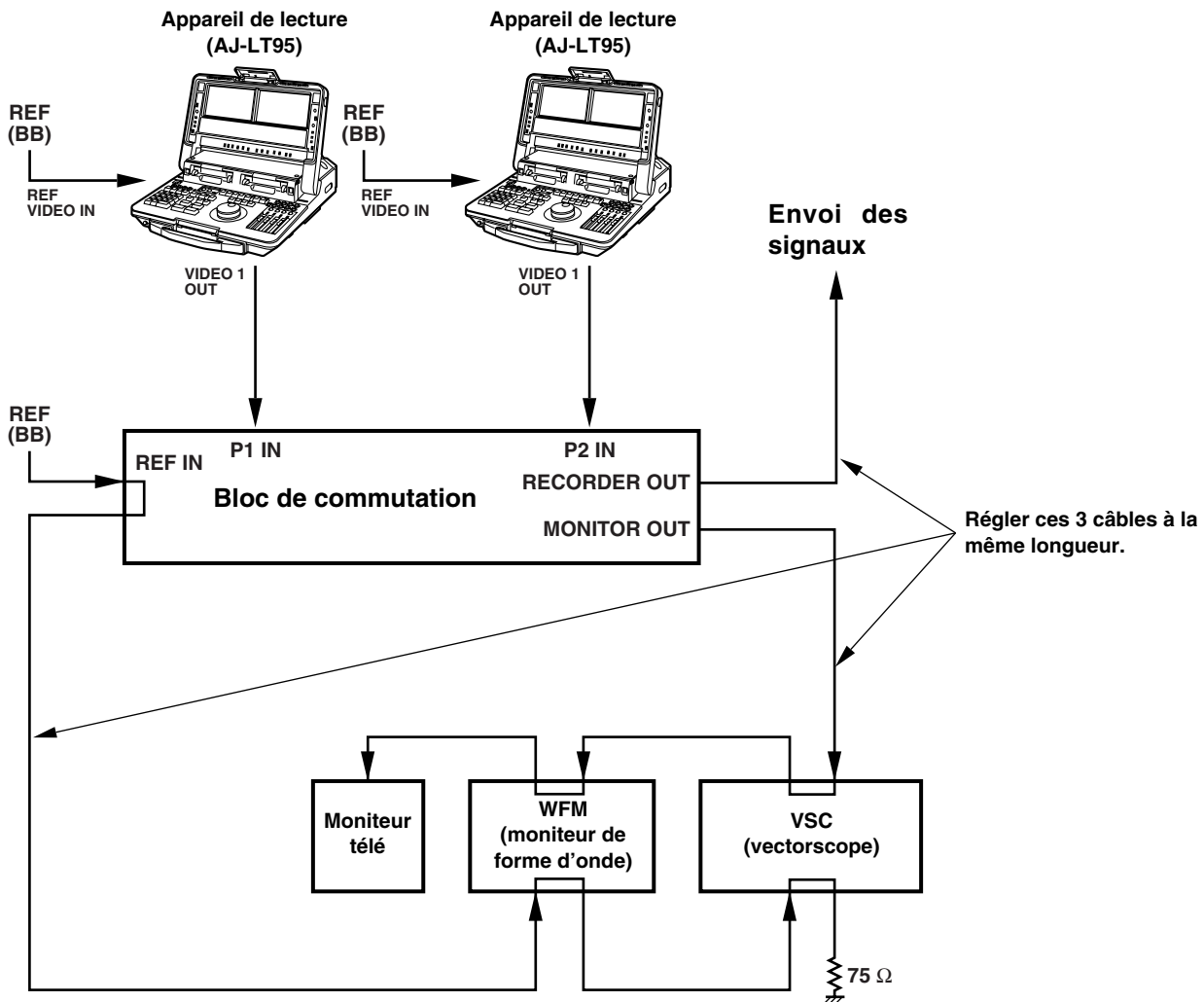
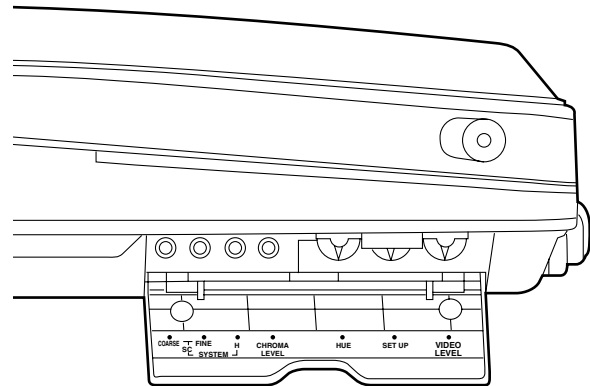
(Il faudra peut-être répéter ce réglage chaque fois qu'un câble de raccordement est remplacé ou que les raccordements sont modifiés.)

Pour régler le codeur sur le portable:

1 Raccorder les appareils comme indiqué ci-dessous.

<Remarques>

- Envoyer les signaux référence externes aux appareils à partir d'un générateur de signal de synchronisation.
- Raccorder les signaux vidéo composites.



En l'absence de moniteur de forme d'onde et de vectorscope, observer les images sur un moniteur et régler de façon à éliminer tout décalage des couleurs.

Réglages du codeur

2 Placer le commutateur REMOTE/LOCAL à la position (LOCAL) à laquelle le réglage doit être effectué.

3 Effectuer les réglages à l'aide d'un appareil source discret.

Toute déviation du niveau de configuration, du niveau vidéo, du niveau des couleurs et de la teinte provoquera un décalage des couleurs sur l'appareil d'enregistrement. Les régler à l'aide d'un appareil source discret.

- ① Lire une cassette sur laquelle des barres de couleur ont été enregistrées.
- ② Régler les commandes de façon que le (WFM (moniteur de forme d'onde) et le VSC (vectorscope) affichent les formes suivantes.

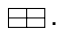
A Niveau de configuration:

Régler de façon qu'il n'y ait pas de déviation.

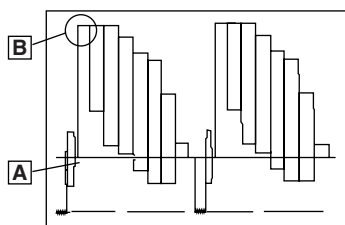
B Niveau vidéo:

Régler à 100IRE.

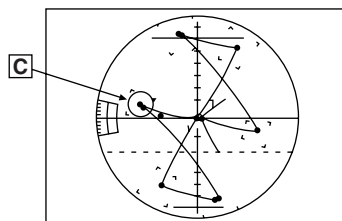
C Niveau des couleurs, teinte:

Régler les deux commandes, et placer le tracé des formes d'onde du vectorscope à la marque .

■ **Forme d'onde du moniteur de forme d'onde**



■ **Forme d'onde du vectorscope**

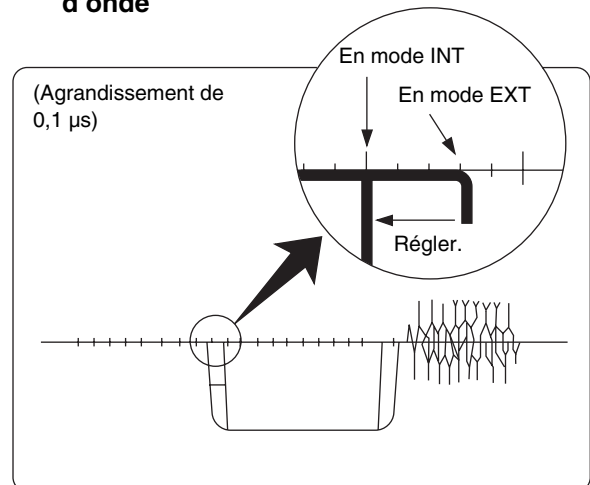


③ Effectuer les mêmes réglages pour l'appareil source raccordé.

4 Régler les commandes SYSTEM PHASE.

- ① Lire les barres de couleur standard sur le magnétoscope 1.
- ② Régler les commandes SYSTEM PHASE du magnétoscope 1.
Régler de façon que le moniteur de forme d'onde affiche les formes suivantes.
 1. En mode INT, agrandir la forme d'onde du moniteur de forme d'onde à 0,1 μ s.
 2. Vérifier la position de H SYNC.
 3. Ensuite, régler le moniteur de forme d'onde en mode EXT.
 4. En mode EXT, régler les commandes SYSTEM PHASE (H SC FINE, SC COARSE) de façon que le signal HSYNC soit aligné à la position de 2.

■ **Forme d'onde du moniteur de forme d'onde**

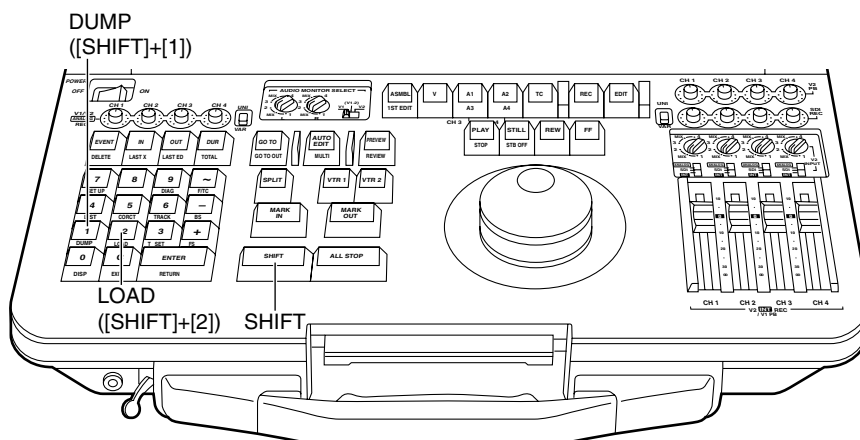
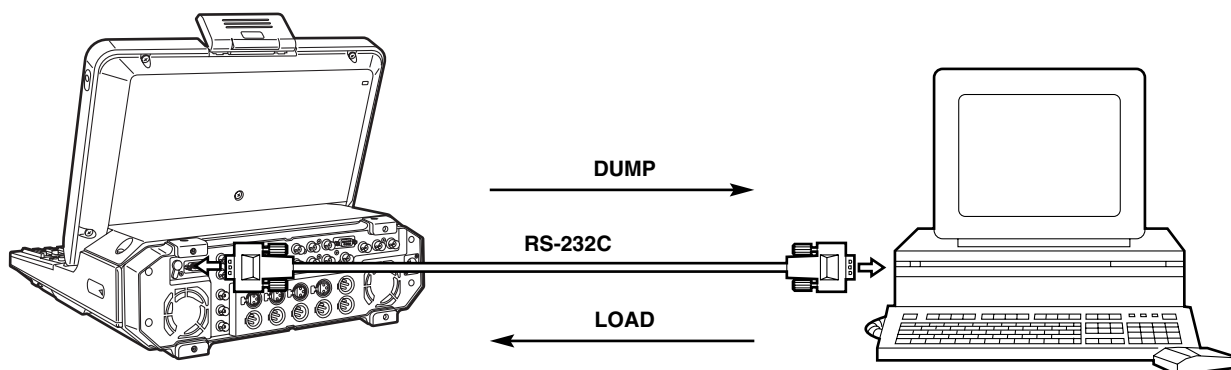


(Noter la chute de SYNC.)

Envoi (DUMP) et chargement (LOAD) des données de montage à un appareil externe

Il est possible d'envoyer les données de montage enregistrées dans la mémoire EDL à un appareil externe via le connecteur EDL du panneau arrière. L'envoi des données (à un ordinateur par exemple) et le chargement des données d'un ordinateur permettent d'utiliser et de gérer un grand choix de systèmes des différentes façons suivantes.

- Il est possible de monter les données hors ligne, et d'utiliser les données de montage avec un système en ligne.
- Il est possible d'enregistrer les données de montage sur disque dur ou sur disquette.
- Il est possible de vérifier les données de montage en les affichant au moniteur d'un ordinateur ou en les imprimant.



Envoi (vidage) des données de montage à un appareil externe

- 1** Régler les paramètres de communication et le format des données à envoyer sur le menu INTERFACE.
- 2** Régler l'ordinateur ou l'autre appareil externe de façon qu'ils soient prêts à recevoir les données.
- 3** Appuyer sur la touche DUMP ([SHIFT] + [1]). Le témoin électroluminescent de la touche VTR2 clignote, et le numéro de l'événement qui est envoyé est indiqué sur les voyants d'affichage de numéro d'événement.

- 4** Le vidage est terminé lorsque toutes les données de montage de la mémoire EDL ont été envoyées. Pour arrêter le vidage à tout moment, appuyer sur la touche ALL STOP.

<Remarques>

- Le vidage n'est pas possible si le commutateur CONTROL est placé à la position REMOTE ou EXT VTR.
- Pour exécuter le vidage, il faut également régler les paramètres de communication, etc. de l'ordinateur ou de l'autre appareil externe.

Envoi (DUMP) et chargement (LOAD) des données de montage à un appareil externe

Envoi des données d'un appareil externe

- 1 Régler les paramètres de communication et le format des données à recevoir sur le menu INTERFACE.
- 2 Appuyer sur la touche LOAD ([SHIFT] + [2]).
Le témoin électroluminescent de la touche VTR1 clignote pour indiquer que le mode réception des données est validé.
- 3 Les données sont chargées depuis l'ordinateur ou l'autre appareil externe.
Le numéro de l'événement qui est chargé est indiqué sur les voyants d'affichage de numéro d'événement.
- 4 Le chargement est terminé lorsque toutes les données de montage de l'ordinateur ont été envoyées.
Ou bien, il est terminé lorsque la mémoire EDL est pleine.
Pour arrêter le chargement à tout moment, appuyer sur la touche ALL STOP.

<Remarques>

- Le chargement n'est pas possible si le commutateur CONTROL est placé à la position REMOTE ou EXT VTR.
- Pour exécuter le chargement, il faut également régler les paramètres de communication, etc. de l'ordinateur ou de l'autre appareil externe.
- L'opération peut ne pas s'effectuer correctement si les données reçues sont à un format que l'appareil ne peut pas traiter, ou si les données reçues sont des données EDL modifiées ou montées.

Réglage de l'appareil externe et méthodes de communication

Les réglages de l'appareil externe et les méthodes de communication à utiliser varient en fonction de l'appareil.

Pour les détails sur les réglages et les opérations, voir les manuels de l'appareil en question, son système de fonctionnement ainsi que le logiciel de communication.

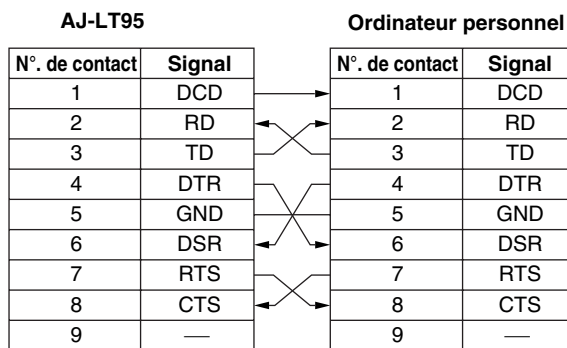
- 1 Utiliser les mêmes réglages de protocole de communications sur l'appareil et sur l'appareil externe. Le protocole de l'appareil se règle aux rubriques n° 205 à n° 208 et n° 270 du menu de réglage.

(Réglages usine:

Débit: 9600 bps, Longueur des données: 8 bits
Bit d'arrêt: 1 bit d'arrêt, Parité: Impaire
Commande de flux: Aucune)

Le protocole de l'appareil externe (ordinateur personnel, etc.) se règle à l'aide des commutateurs et des commandes de réglage RS-232C (commande MODE et commande SPEED).

- 2 Câble utilisé:
Câble à 9 contacts, respectant les spécifications des câbles inter-link.



- 3 Recevoir les données via le connecteur RS-232C de l'appareil externe.

① Entrer COPY AUX #####/A ou COPYA AUX ##### (où ##### représente le nom du fichier).

② Appuyer sur la touche DUMP ([SHIFT] + [1]) de l'appareil.

Un grand nombre d'ordinateurs personnels pourront recevoir les données avec cette méthode.

- 4 Envoyer les données par le connecteur RS-232C de l'appareil externe.

① Entrer COPY #####/B AUX ou COPYA ##### AUX (où ##### représente le nom du fichier).

② Appuyer sur la touche LOAD ([SHIFT] + [2]) de l'appareil.

Un grand nombre d'ordinateurs personnels pourront envoyer les données avec cette méthode.

Envoi (DUMP) et chargement (LOAD) des données de montage à un appareil externe

A propos du format EDL

Il est possible de sélectionner le format AG-A850 ou le format CMX340 pour le format des données lorsque les données de montage sont envoyées à un ordinateur personnel ou un autre appareil externe. Sélectionner le format à la rubrique n° 271 (EDL FORMAT) du menu de réglage.

■ Format AG-A850

Toutes les données de montage de la mémoire EDL étant envoyées dans ce format, il est possible de restaurer complètement les données lorsque les données qui ont été envoyées par l'appareil sont ensuite de nouveau chargées dans l'appareil. Toutefois, lorsque les données à charger ont été préparées avec la rubrique n° 374 (EDL AUTO CLR) du menu de réglage validée, il faut les recevoir avec la même rubrique validée.

La nature du format EDL permettant de différencier les données décalées audio des données décalées vidéo dans un montage décalé, c'est normalement le réglage AUDIO SPLIT qui sera utilisé pour ces données.

[Exemple d'envoi]

TITLE: PANASONIC EDITING CONTROLLER AG-A850 (AJ-LT95)								
EVENT	REEL	MODE	TYPE	RANS	P-VTR IN	P-VTR OUT	R-VTR IN	R-VTR OUT
0001	0001	ASMBL	C		00:09:45:15	00:09:48:03	00:17:32.15	00:17:35.03
0002	0001	VA12	C		00:09:48:03	00:09:55:27	00:17:35.03	00:17:42.27
0003	AUDIO	SPLIT	REEL	0001		00:10:10:20		
0003	0001	VA12	C		00:09:55:27	00:10:12:10	00:17:42.27	00:17:59:10
0004	0001	VA1234	C		00:10:12:10	00:10:17:21	00:17:59:10	00:18:04.23
0005	0001	ASMBL	C		00:10:17:21	00:10:22:23	00:18:04:23	00:18:09:25
0006	0001	VA12	C		00:10:22:23	00:10:24:13	00:18:09:25	00:18:11:15
0007D	0001	VA12	C		00:10:24:13	00:10:35:15	00:18:11:15	00:18:18:18
0008	0001	VA12	C		00:10:35:15	00:10:41:22	00:18:18:18	00:18:27:21
0009	0001	ASMBL	C		00:10:41:22	00:10:41:22	00:18:27:21	00:18:27:21
0009		SPEED	REEL	0001	000	00:10:41:22		
<u>0010</u>	<u>0001</u>	<u>VA12</u>	<u>C</u>		<u>00:10:41:23</u>	<u>00:10:43:00</u>	<u>00:18:27:21</u>	<u>00:18:28:28</u>

↑

Point d'entrée de l'appareil de lecture **Point de sortie** **Point d'entrée de l'appareil d'enregistrement** **Point de sortie**

Type d'effet
C: Coupure ("Coupure" est la seule option de l'appareil.)

Mode de montage
ASMBL: Montage par assemblage ; VA12, VA1234: montage par insertion

Numéro de bobine
0001 (0001 est la seule option de l'appareil.)

Numéro d'événement
D: Événement supprimé

<Remarques>

- Les restrictions suivantes s'appliquent lors de l'envoi à l'appareil des données montées sur l'AG-A850.

Numéro d'événement: Les numéros d'événement sont ignorés, et 200 événements maximum sont reçus en séquence à partir du premier événement.

Numéro de bobine: Tous les numéros de bobine sont reçus comme "0001".

Type d'effet: Seuls les événements montés par coupure sont reçus.

Montage de ralenti: Seuls les événements avec des données à la vitesse de 0 fois (STILL) sont reçus lors d'un montage de ralenti.

- Les restrictions suivantes s'appliquent lors de l'envoi à l'AG-A850 des données montées sur l'appareil.

Mode de montage: Les insertions du signal de base de temps sont ignorées.

Envoi (DUMP) et chargement (LOAD) des données de montage à un appareil externe

■ **Format CMX340**

- Certaines des données sont converties à ce format, de sorte qu'elles ne seront pas complètement restaurées lors d'un nouveau chargement.

Numéro d'événement:	Les numéros d'événement supprimés sont mis en paquets et envoyés. Pendant la réception, les numéros d'événement sont ignorés, et 200 événements maximum sont reçus en séquence à partir du premier événement.
Numéro de bobine:	Tous les numéros de bobine sont reçus comme "0001".
Mode de montage:	Les données montées par assemblage sont converties en données montées par insertion (V, A1, A2, A3, A4) et envoyées.
Type d'effet:	Seuls les événements montés par coupure sont reçus.
Montage de ralenti:	Seuls les événements avec des données à la vitesse de 0 fois (STILL) sont reçus lors d'un montage de ralenti.
Montage décalé:	Toutes les données montées avec décalage sont reçues comme données à montage décalé audio (l'appareil d'enregistrement servant de référence).

Affichages en surimpression

Il est possible de surimprimer des caractères et des symboles sur les signaux de sortie du moniteur à cristaux liquides de l'appareil ou au connecteur VIDEO MONITOR OUT.

Cette fonction surimpression se valide et s'invalide en appuyant sur la touche DISP ([SHIFT] + [0]).

Les informations à surimprimer et à afficher se sélectionnent à la rubrique n° 002 (DISPLAY SEL) du menu de réglage.

■ Mode TIME

Dans ce mode, la valeur du registre s'affiche sur une seule ligne.

```
TCR 12:34:56:21
```

■ Mode T&STA

Dans ce mode, la valeur du registre et le mode de fonctionnement du magnétoscope s'affichent sur deux lignes.

```
TCR 12:34:56:21
SHTL +32.0 R82
```

■ Mode T&S&STA

Dans ce mode, la valeur du registre, le mode de fonctionnement du magnétoscope et le temps de ruban restant s'affichent sur trois lignes.

```
TCR 12:34:56:21
SHTL +32.0 R82
DVCPR050
```

Informations affichées à la ligne TIME

TCR 12:34:56:21

↑
↑
↑
↑

: (deux points) = Mode "Non Drop Frame"
. (point) = Mode "Drop Frame"

: (deux points) = Mode normal
. (point) = Mode suivi de temps

CTL: Signal de commande
TCR: Valeur du lecteur de signal de base de temps
T*R: Valeur du lecteur de signal de base de temps (lorsque la lecture a échoué)
UBR: Valeur des bits de l'utilisateur (les deux points sont absents du registre lors de cet affichage)
U*B: Valeur des bits de l'utilisateur (lorsque la lecture a échoué)

Informations affichées à la ligne STATUS (mode de fonctionnement du magnétoscope)

o m SHTL +32.0 R82

↑
↑
↑
↑
↑

Temps de ruban restant

- S'affiche lorsque la rubrique n° 003 (REMAIN SEL) du menu de réglage est validée.
- Ne s'affiche pas lorsque BOT ou EOT sont affichés (lorsque le début ou la fin du ruban ont été détectés).

Vitesse et sens de repérage

- La vitesse du ruban s'affiche pendant les opérations SHTL, VAR et PPLY.
- Le sens du ruban s'affiche pendant un repérage progressif ou une commande EXT VTR (REV, STILL, FWD).

Opérations du magnétoscope
EJECT, STOP, REW, FF, STANDBY OFF, PLAY, REC, EDIT, E PLAY, SHTL, JOG, VAR, PPLY, POWER OFF, AUTO OFF et DEW

<Remarque>
Lorsque le début ou la fin du ruban ont été détectés, BOT (début du ruban) ou EOT (fin du ruban) s'affichent en tête de ligne.

Exemples d'affichage:

- EOT STOP (mode arrêt à la fin du ruban)
- BOT STANDBY OFF (mode annulation d'attente au début du ruban)

Cette indication s'affiche lors du réglage d'un enregistrement de voix hors champ ou d'un enchaînement de voie audio.

Cette indication s'affiche lorsque 20 secondes se sont écoulées depuis le début de l'enregistrement des données audio d'entrée dans la mémoire interne lors d'un enregistrement de voix hors champ, et elle indique que la mémoire est pleine.

Informations affichées à la ligne MODE

- **Format du ruban**
Affiche le format de la cassette.
Exemple d'affichage: DVCPR050
- **Messages d'erreur**
Un message d'avertissement ou le message AUTO OFF s'affiche lorsqu'il s'est produit une erreur.
Pour les détails, voir les messages d'erreur (pages 86, 87).

Messages d'erreur

L'un des messages d'erreur suivants s'affiche quand une anomalie se produit dans l'appareil. Le magnéto passe en mode arrêt automatique, ou le contact se coupe de force. Si l'erreur est toujours affichée lorsque l'appareil est mis hors contact puis de nouveau sous contact, contacter son détaillant.

Registre	Affichage en surimpression	Description	Opération du magnéto
d	DEW	Il s'est formé de la condensation (buée). Laisser l'appareil en contact et attendre que le message d'erreur disparaisse. Si la rubrique n° 170 (HUMID OPE) du menu de réglage a été invalidée, "d" s'éclaire au registre et "DEW" apparaît à l'écran en surimpression.	Seule la touche EJECT est opérationnelle. S'il y a une cassette dans l'appareil, elle ne sera pas chargée. Sinon, le cylindre des têtes tourne.
"d" et les valeurs du compteur s'affichent alternativement.	Mode du magnéto	Si HUMID OPE a été validé, "d" et les valeurs du compteur s'affichent alternativement au registre, et le mode du magnéto est surimprimé à l'écran.	Le fonctionnement continue.
—	SERVO NOT LOCKED	S'affiche lorsque l'asservissement est désengagé pendant plus de 3 secondes pendant la lecture, l'enregistrement ou le montage.	Le fonctionnement continue.
—	LOW RF	S'affiche lorsque l'état dans lequel le niveau d'enveloppe est envoyé atteint seulement un tiers de l'état normal se poursuit pendant plus d'une seconde pendant la lecture.	Le fonctionnement continue.
—	HIGH ERROR RATE	S'affiche lorsque le taux d'erreur s'est détérioré et que les signaux de lecture vidéo ou les signaux de lecture audio ont été soumis à une correction ou une interpolation.	Le fonctionnement continue.
E — 10 (S'affiche pendant 5 secondes lorsque 20 minutes se sont écoulées depuis l'arrêt du ventilateur.)	FAN STOP	Le moteur du ventilateur s'est arrêté. Lorsque 20 minutes se sont écoulées avec le moteur du ventilateur arrêté, le contact est coupé de force.	Le fonctionnement continue/ mise hors contact.
E — 27	REEL STAND MOTOR	S'affiche lorsque le socle de la bobine qui fonctionne conformément à la dimension du ruban s'est bloqué pendant plus de 2,5 secondes après l'insertion de la cassette.	Ejection/arrêt automatique
E — 29	FRONT LOAD MOTOR	S'affiche lorsque l'opération d'abaissement de la cassette ne s'effectue pas dans les 4 secondes qui suivent l'insertion de la cassette, ou lorsque la cassette ne s'éjecte pas dans les 4 secondes qui suivent l'opération d'éjection.	Abaissement de la cassette/ éjection
E — 31	LOADING MOTOR	S'affiche lorsque l'opération de chargement n'est pas terminée dans les 4 secondes.	Ejection
E — 32	UNLOADING MOTOR	S'affiche lorsque l'opération de déchargement n'est pas terminée dans les 4 secondes.	Arrêt automatique
E — 35	SERVO CONTROL ERR	S'affiche lorsqu'il n'y a pas eu de réponse du microprocesseur d'asservissement pendant plus d'une seconde.	Arrêt automatique
E — 36	SERVO ERROR	S'affiche lorsque seul le microprocesseur d'asservissement a été réinitialisé sous l'effet d'une coupure de courant instantanée, etc.	Arrêt automatique
E — 37	SERVO COMM ERROR	S'affiche lorsque le microprocesseur d'asservissement ne suit pas les instructions du microprocesseur de commande système dans les 10 secondes.	Arrêt automatique
E — 51	FRONT LOAD ERROR	S'affiche lorsque la bobine réceptrice a tourné sans engagement pendant une durée spécifique avec une opération de début ou de fin à un certain moment du chargement (demi-position).	Arrêt automatique
E — 52	W-UP REEL NOT ROTA	S'affiche lorsque le temps de ruban total n'est pas détecté après l'insertion de la cassette, et que la bobine réceptrice n'a pas réussi à entraîner le ruban pendant le défilement du ruban.	Arrêt automatique

Messages d'erreur

Registre	Affichage en surimpression	Description	Opération du magnétoscope
E — 53	WINDUP ERROR	S'affiche lorsque le temps de ruban total a été détecté alors que la quantité entraînée par la bobine réceptrice et la quantité avancée par la bobine débitrice sont anormales.	Arrêt automatique
E — 55	UNLOAD ERROR	S'affiche lorsque le ruban n'est pas entraîné pendant le déchargement.	Arrêt automatique
E — 57	S-FF/REW TIMEOVER	S'affiche lorsque l'opération de traitement de début ou de fin du ruban a échoué.	Arrêt automatique
E — 59	DRUM ROTA TOO SLOW	S'affiche lorsque la vitesse de rotation du moteur du cylindre des têtes est anormalement basse.	Arrêt automatique
E — 59	DRUM ROTA TOO FAST	S'affiche lorsque la vitesse de rotation du moteur du cylindre des têtes est anormalement élevée.	Arrêt automatique
E — 61	CAP ROTA TOO SLOW	S'affiche lorsque la vitesse de rotation du moteur du cabestan est anormalement basse.	Arrêt automatique
E — 64	S REEL TOO FAST	S'affiche lorsque la vitesse de rotation du moteur de la bobine débitrice est anormalement élevée.	Arrêt automatique
E — 67	T REEL TOO FAST	S'affiche lorsque la vitesse de rotation du moteur de la bobine réceptrice est anormalement élevée.	Arrêt automatique
E — 69	T REEL TORQUE ERR	S'affiche lors de la détection d'un couple anormal au moteur de la bobine réceptrice.	Arrêt automatique
E — 70	S REEL TORQUE ERR	S'affiche lors de la détection d'un couple anormal au moteur de la bobine débitrice.	Arrêt automatique
E — 71	CAP TENSION ERROR	S'affiche lors de la détection d'une tension de ruban d'alimentation anormale en mode cabestan.	Arrêt automatique
E — 72	REEL TENSION ERROR	S'affiche lors de la détection d'une tension de ruban d'alimentation anormale en mode bobine.	Arrêt automatique
E — 73	REEL DIR UNMATCH	S'affiche lorsque le moteur de la bobine réceptrice a tourné en sens inverse.	Arrêt automatique
E — 81	SOL NG	S'affiche lorsqu'une anomalie a été détectée dans le circuit d'entraînement de solénoïde. Quand ce message apparaît, le contact se coupe de force.	Coupure du contact.
E — 82	C SOL NG	S'affiche lorsqu'une anomalie a été détectée dans le circuit d'entraînement de solénoïde de nettoyage. Quand ce message apparaît, le contact se coupe de force.	Coupure du contact.
E — BA	BATTERY	S'affiche lorsque la tension c.c. d'entrée est tombée en-deçà de la tension minimale admissible (environ 10,6 V). Quand ce message apparaît, le contact se coupe de force.	Coupure du contact.

Nettoyage des têtes vidéo

L'appareil possède une fonction de nettoyage automatique des têtes vidéo qui réduit automatiquement la saleté sur les têtes. Cependant, pour accroître encore davantage la fiabilité de l'appareil, il est recommandé de nettoyer les têtes vidéo chaque fois que cela s'avère nécessaire.

Pour les détails sur la façon de nettoyer les têtes vidéo, consulter l'un de nos services après-vente ou son détaillant.

Condensation

De la condensation se produit en vertu du même principe que lorsque des gouttelettes d'eau se déposent sur les vitres d'une salle chauffée. Ce phénomène se produit à l'intérieur de l'appareil ou sur le ruban s'ils sont transportés dans des lieux accusant une grande différence de température ou d'humidité. Il se forme également de la condensation si l'appareil est:

- amené dans un lieu très humide, empli de vapeur, ou dans une pièce tout de suite après que le chauffage a été allumé.
- brusquement transporté d'un lieu climatisé dans un lieu chaud et humide.

Si l'appareil est transporté dans des lieux semblables, attendre environ 10 minutes avant d'établir le contact.

Si de la condensation s'est formée à l'intérieur de l'appareil, un message d'erreur ("d") s'affiche au registre, et la cassette est automatiquement éjectée.

Laisser l'appareil en contact et attendre que le message d'erreur ait disparu.

Entretien

Avant de procéder à l'entretien, mettre l'appareil hors contact et débrancher l'appareil de la prise secteur: pour cela, bien tenir la fiche d'alimentation par sa section moulée.

Utiliser un linge doux pour nettoyer le coffret. Pour enlever la saleté rebelle, diluer un peu de détergent de cuisine, tremper un linge dans la solution, bien tordre le linge et essuyer le coffret. Enlever toute humidité restante avec un linge sec.

Ne pas utiliser de diluants pour peinture ni de benzine.

Données techniques

[Données générales]

Tension d'alimentation: 12 V c.c.
Courant d'entrée: 12 A

Température ambiante de fonctionnement:

5°C à 40°C (41°F à 104°F)

Humidité ambiante de fonctionnement:

10% à 85% (sans condensation)

Poids:

12,9 kg (28,38 lb)

Dimensions (L×H×P):

424×120×435 mm (16 11/16"×4 3/4"×17 3/16")

Format d'enregistrement:

Format DVCPRO50/format DVCPRO réglable

Signaux vidéo enregistrés:

525i/625i réglable (525i seulement avec des signaux d'entrée analogique)

Signaux audio enregistrés:

DVCPRO 50: 48 kHz, 16 bits, 4 voies

DVCPRO: 48 kHz, 16 bits, 2 voies

Piste d'enregistrement:

- Vidéo numérique et audio numérique:
Pistes hélicoïdales
- Signal de base de temps:
Piste hélicoïdale (section des sous-codes)
- Signal repère:
1 piste
- Signal de commande (CTL):
1 piste

Vitesse de défilement:

DVCPRO 50 (525i): 67,640 mm/s

DVCPRO 50 (625i): 67,708 mm/s

DVCPRO (525i): 33,820 mm/s

DVCPRO (625i): 33,854 mm/s

Temps d'enregistrement:

- DVCPRO 50:
92 minutes (avec une cassette AJ-5P92LP)
33 minutes (avec une cassette AJ-P66MP)
- DVCPRO:
184 minutes (avec une cassette AJ-5P92LP*)
66 minutes (avec une cassette AJ-P66MP)

* Pour les cassettes AJ-5P92LP enregistrées au mode DVCPRO (25 Mbps), utiliser un magnétoscope supportant les cassettes DVCPRO (25 Mbps) de 184 minutes.
--

Type de ruban magnétoscopique:

Ruban métallique

Durée d'avance accélérée/rebobinage:

Moins de 3,5 minutes (avec une cassette AJ-5P92LP)

Précision de montage:

±0 image (avec le signal de base de temps)

Précision de minuterie du ruban:

±2 images (avec le signal de commande continu)

Temps d'asservissement:

Moins de 0,5 seconde

[VIDEO]

■ Vidéo numérique (pareil pour le magnétoscope 1 et le magnétoscope 2)

Fréquences d'échantillonnage:

- DVCPRO 50
Y: 13,5 MHz
P_B/P_R: 6,75 MHz
- DVCPRO
Y: 13,5 MHz
P_B/P_R: 3,375 MHz

Quantizing:

8 bits

Système de compression vidéo:

DCT + code à longueur variable

Taux de compression:

- DVCPRO 50: 1/3.3
- DVCPRO: 1/5

Correction d'erreur:

Code de produit Reed-Solomon

■ Entrée numérique/sortie à composantes analogique (magnétoscope 2 seulement)

Bande vidéo (DVCPRO 50):

- 525i
Y: 30 Hz à 5,5 MHz (±1 dB)
5,75 MHz (-3 dB)
P_B/P_R: 30 Hz à 2,5 MHz (±1 dB)
2,75 MHz (-3 dB)
- 625i
Y: 25 Hz à 5,5 MHz (±1 dB)
5,75 MHz (-3 dB)
P_B/P_R: 25 Hz à 2,5 MHz (±1 dB)
2,75 MHz (-3 dB)

Rapport signal/bruit:

Plus de 57 dB

Facteur K:

Moins de 2%

Données techniques

[VIDEO]

■ Entrée à composantes analogique/sortie à composantes analogique (pareil pour le magnétoscope 1 et le magnétoscope 2)

Bande vidéo (DVCPRO 50):

- 525i

Y: 30 Hz à 5 MHz (± 1 dB)

P_B/P_R: 30 Hz à 2,5 MHz (± 1 dB)
2,75 MHz (-3 dB)

Rapport signal/bruit:

Plus de 54 dB

Facteur K:

Moins de 2%

■ Entrée composite analogique/sortie composite analogique (pareil pour le magnétoscope 1 et le magnétoscope 2)

Bande vidéo:

- 525i

Y: 30 Hz à 4,5 MHz ($\pm 1,5$ dB)

Gain différentiel:

Moins de 5%

Phase différentielle:

Moins de 3,5 degrés

Retard Y/C:

Moins de 20 ns

Facteur K:

Moins de 2%

[AUDIO]

■ Audio numérique (pareil pour le magnétoscope 1 et le magnétoscope 2)

Fréquence d'échantillonnage:

48 kHz

Quantification:

16 bits

Réponse en fréquence:

20 Hz à 20 kHz ± 1 dB (niveau référence)

Plage dynamique:

Plus de 85 dB (1 kHz, accentuation invalidée, pondérée "A")

Distorsion:

Moins de 0,1% (1 kHz, accentuation invalidée, niveau référence)

Diaphonie:

Moins de -80 db (1 kHz, entre les deux voies)

Fluctuations de vitesse:

Inférieures aux limites mesurables

Espace de tête:

525i: 20 dB

625i: 18 dB

Accentuation:

T1 = 50 μ s/T2 = 15 μ s (débrayable)

[REGLAGES]

■ Signaux de sortie vidéo (séparément pour le magnétoscope 1 et le magnétoscope 2)

Gain vidéo:

Plus de ± 3 dB

Gain de couleurs:

Plus de ± 3 dB

Teinte:

Plus de ± 30 degrés

Configuration:

± 10 IRE

Phase H:

Plus de ± 8 μ s

Phase de sous-porteuse:

± 180 degrés

Données techniques

[CONNECTEURS ENTREE/SORTIE]

■ VIDEO

Entrée à composants analogique:

BNC × 6 ([Y/P_B/P_R] × 2)

(magnétoscope 1, magnétoscope 2)

Y: 1,0 V [c-c], 75 Ω, commuté avec l'entrée composite analogique

P_B/P_R: 0,525/0,757 V [c-c] réglable, 75 Ω (barres de couleur 75%, configuration 0%)

Entrée composite analogique:

BNC × 2 (magnétoscope 1, magnétoscope 2), 1,0 V [c-c], 75 Ω, commuté avec l'entrée Y à composants analogique

Entrée référence:

BNC × 2 (raccordé en dérivation), 75 Ω, commutation marche/arrêt automatique

Entrée numérique à composants série:

BNC × 2 (validé de part en part), respectant la norme SMPTE259M-C

Sortie à composants analogique:

BNC × 6 ([Y/P_B/P_R] × 2)

(magnétoscope 1, magnétoscope 2)

Y: 1,0 V [c-c], 75 Ω, commuté avec l'entrée composite analogique

P_B/P_R: 0,525/0,757 V [c-c] réglable, 75 Ω (barres de couleur 75%, configuration 0%)

Sortie composite analogique:

BNC × 2 (magnétoscope 1, magnétoscope 2), 1,0 V [c-c], 75 Ω, commuté avec la sortie Y à composants analogique

Sortie moniteur:

BNC × 2 (magnétoscope 1, magnétoscope 2), composite analogique, 1,0 V [c-c], 75 Ω, marche/arrêt de surimpression

Sortie numérique à composants série:

BNC × 1, respectant la norme SMPTE259M-C

■ AUDIO

Entrée analogique:

XLR × 4 (Voie 1/2 du magnétoscope 1 et voie 1/2 du magnétoscope 2, voies 1/2/3/4 du magnétoscope 1, voies 1/2/3/4 du magnétoscope 2, réglable) 600 Ω/haute impédance réglable +4/0/-3/-20 dBu réglable
Entrée de voie 2 du magnétoscope 2 (connecteur n° 2) seulement +4/0/-3/-60 dBu réglable

Entrée numérique série:

BNC × 2 (validé de part en part), respectant la norme SMPTE259M-C

Sortie analogique:

XLR × 4 (Voie 1/2 du magnétoscope 1 et voie 1/2 du magnétoscope 2, voies 1/2/3/4 du magnétoscope 1, voies 1/2/3/4 du magnétoscope 2, réglable), Faible impédance, +4/0/-3/-20 dBm réglable (avec une charge de 600 Ω)

Sortie moniteur:

XLR × 2 (L/R ou magnétoscope 1/2), faible impédance, 0 dBu

Sortie numérique série:

BNC × 1, respectant la norme SMPTE259M-C

Casque d'écoute:

M3 stéréo, niveau variable (max. -25 dBu), 8 Ω, magnétoscope 1/magnétoscope 2 réglable, L/STEREO/R réglable

■ AUTRES

Entrée TC:

BNC × 1, 0,5 à 8 V [c-c], 10 kΩ

Sortie TC:

BNC × 2 (magnétoscope 1, magnétoscope 2, connecteurs sortie de moniteur vidéo réglables), 2,0 V [c-c], 75 Ω

Télécommande: (mode 525i seulement)

D-sub 9 contacts × 2 (magnétoscope 1, magnétoscope 2)

Interface RS-422A

Entrée/sortie de télécommande réglable pour le magnétoscope 1

Entrée de télécommande seulement pour le magnétoscope 2

Entrée/sortie EDL:

D-sub 9 contacts, interface RS-232C

Données techniques

[Moniteur à cristaux liquides]

Panneau à cristaux liquides:

Matrice active TFT, grand écran, 7 pouces ×2 (magnétoscope 1, magnétoscope 2), grand écran/écran normal réglable (bords vides en mode normal), 525i/625i réglable

Réglage de luminosité:

Commandes ×2 (magnétoscope 1, magnétoscope 2)

Réglage de qualité des images:

Couleur, teinte (menus affichés à l'écran séparés pour la gauche et la droite)
(Teinte: mode 525i seulement)

Sélection de rétroéclairage:

Clair, sombre, éteint (commutateurs séparés pour la gauche et la droite)

[HAUT-PARLEURS]

Haut-parleurs internes ×2, magnétoscope 1/magnétoscope 2 réglable, L/STEREO/R réglable

[REGISTRES]

■ **Registres d'affichage du compteur/mode (magnétoscope 1, magnétoscope 2)**

Compteur:

8 chiffres (CTL/TC/UB réglable, temps total de ruban, temps de ruban restant, Tension c.c.)

Décibelmètre:

16 segments, 4 voies, FULL/FINE réglable

Autres:

625, 25/50 Mbps, cadrage couleur, asservissement, mode défilement du ruban, "Drop Frame", grand écran, enregistrement/enregistrement de montage/interdiction d'enregistrement, entrée vidéo/référence, sortie SDI

■ **Registre de point de montage/événement**

Numéros d'événement, points d'entrée et de sortie de montage, décalage (A SP ou V SP), point d'entrée de décalage

Panasonic Canada Inc.

5770 Ambler Drive, Mississauga, Ontario L4W 2T3 (905) 624-5010

Free Manuals Download Website

<http://myh66.com>

<http://usermanuals.us>

<http://www.somanuals.com>

<http://www.4manuals.cc>

<http://www.manual-lib.com>

<http://www.404manual.com>

<http://www.luxmanual.com>

<http://aubethermostatmanual.com>

Golf course search by state

<http://golfingnear.com>

Email search by domain

<http://emailbydomain.com>

Auto manuals search

<http://auto.somanuals.com>

TV manuals search

<http://tv.somanuals.com>