

PRINTER WALL REFERENCE



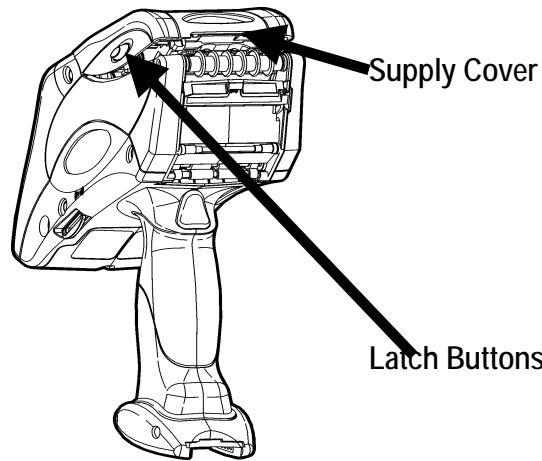
Pathfinder® Ultra® *Silver* (6032™) Printer

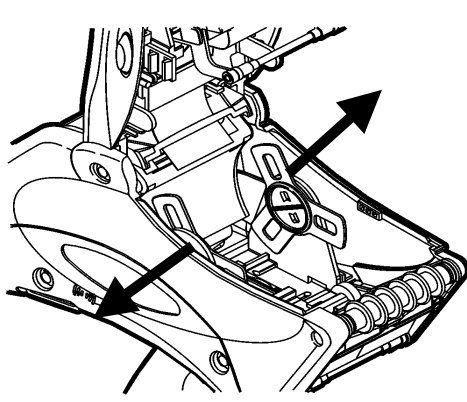
Pathfinder® Ultra® *Platinum* (6039™) Printer

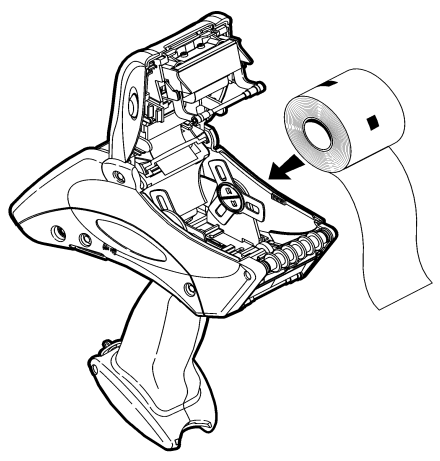
See the *Equipment Manual* for more information.

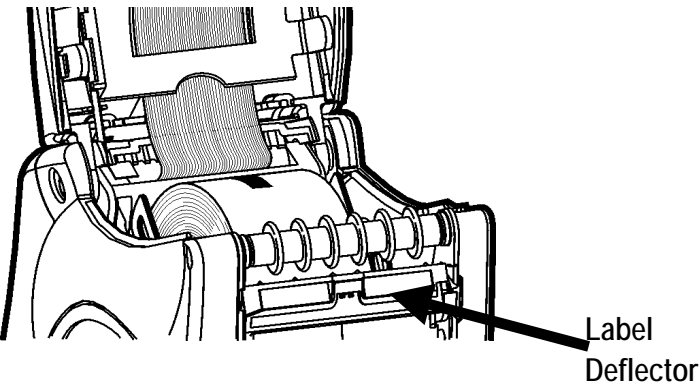
Loading Supplies in Peel Mode

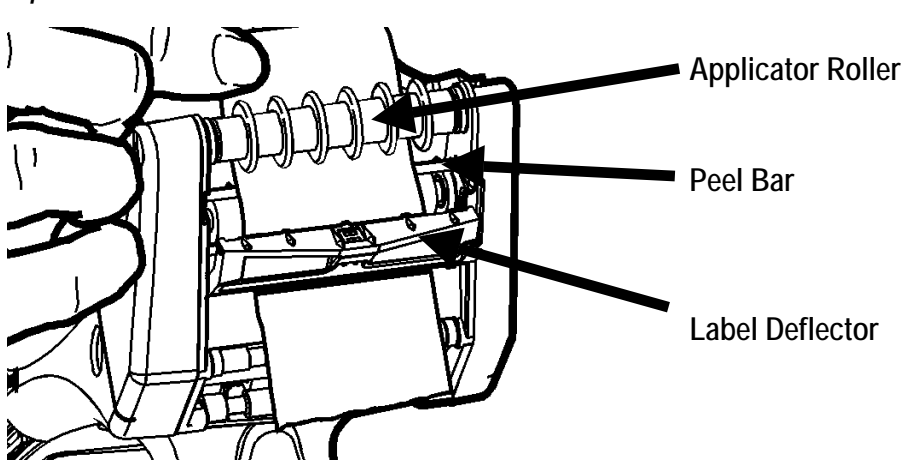
- ① Turn on the printer and put it into load mode.
6032: Press the Load Key.
6039: Select the supply loading option from the display screen.
Or, ask your System Administrator.
- ② Press the latch buttons and open the supply cover.

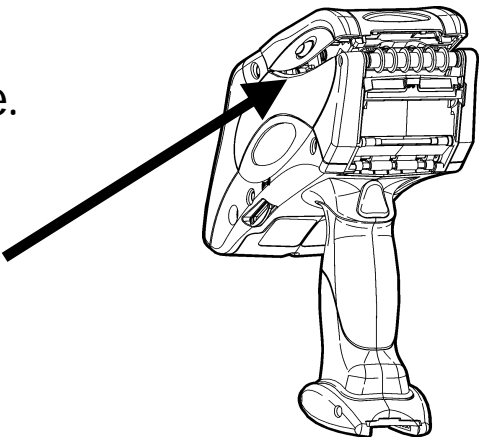

- ③ Open the spring-loaded supply holder.

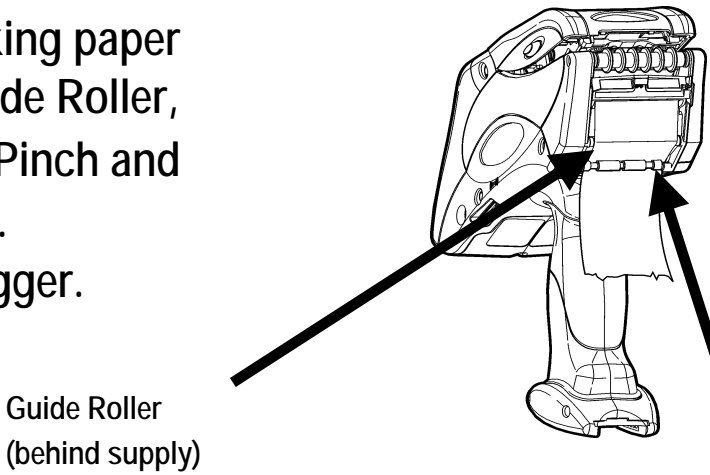

- ④ Insert the supply roll so it feeds from the bottom.

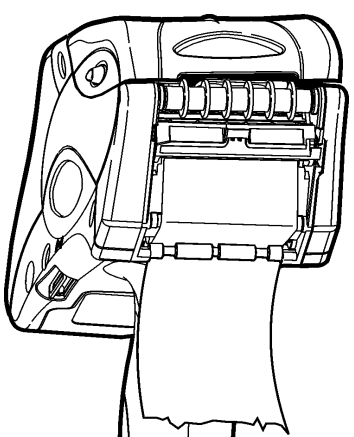

- ⑤ Peel four inches of labels from the backing paper.
- ⑥ Pull the Label Deflector down.


- ⑦ Feed all four inches of the backing paper *under* the applicator roller, *over* the peel bar, and *under* the label deflector.


- ⑧ Push the Label Deflector up until it snaps into place.
- ⑨ *Partially* close the cover to the first position.


- ⑩ Pull the backing paper *over* the Guide Roller, down to the Pinch and Feed Rollers. Press the trigger.

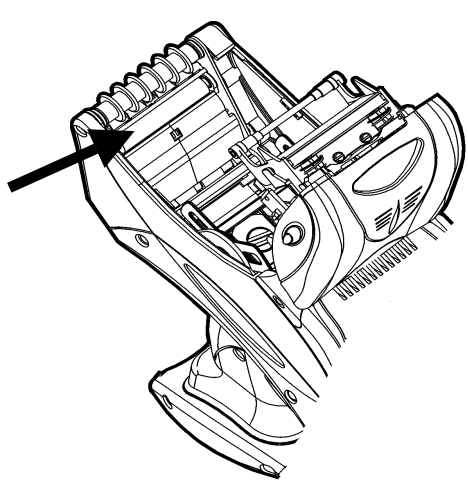

- ⑪ Close the cover and press ESC or return to the previous menu.



Cleaning Your Printer

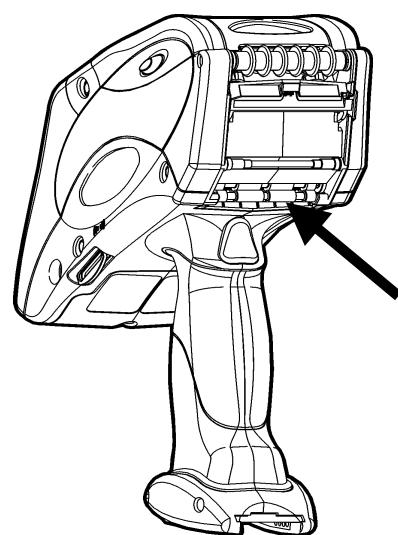
NOTE: Always turn off the printer before cleaning.

Platen Roller



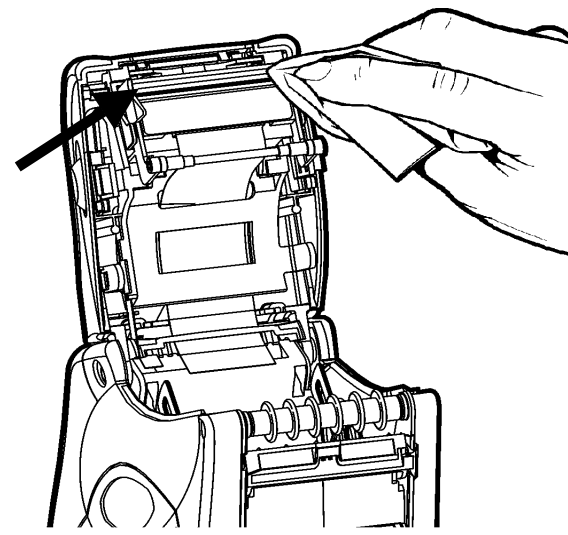
Use a dry, soft-bristle brush.

Pinch and Feed Rollers



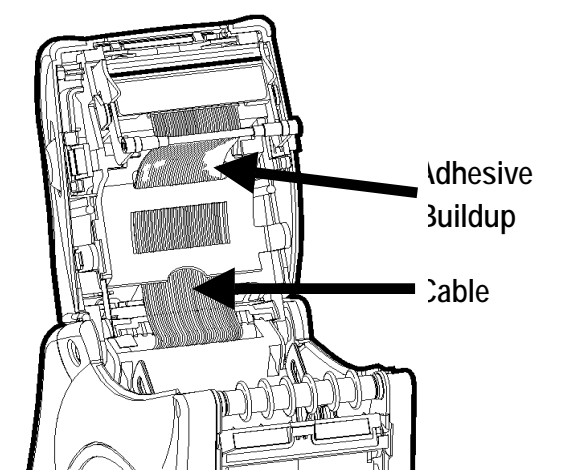
Use a dry, lint-free cloth.

Printhead



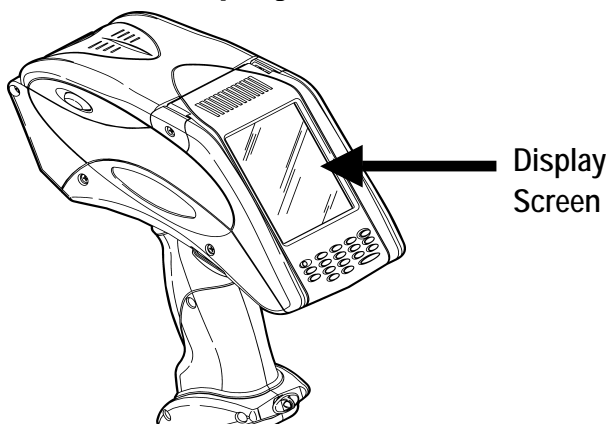
Use a cleaning pen or a soft cloth, lightly moistened with 91% Isopropyl Alcohol.

Printer Flex Cable



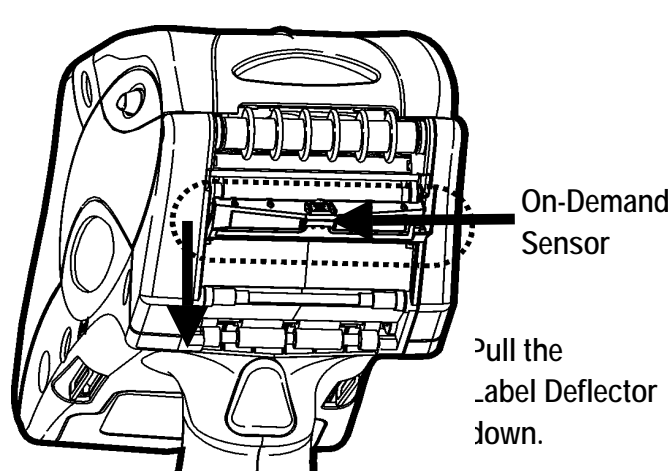
Use a soft cloth, lightly moistened with 91% Isopropyl Alcohol.

Platinum Display Screen



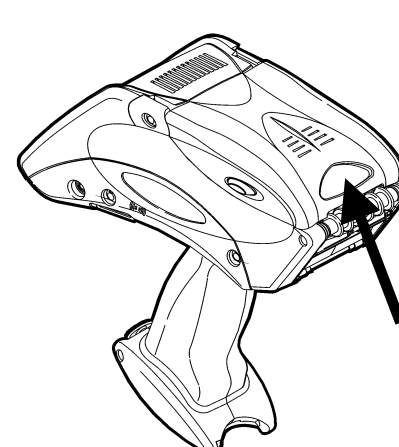
Use a soft cloth, lightly moistened with water.

On-Demand Sensor



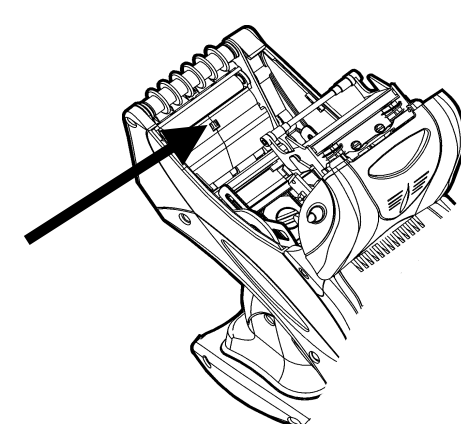
Use a dry cotton swab.

Scanner Window



Use a soft cloth, lightly moistened with water.

Black Mark Sensor



Use a dry cotton swab.

PRINTER WALL REFERENCE



Pathfinder® Ultra® *Silver* (6032™) Printer

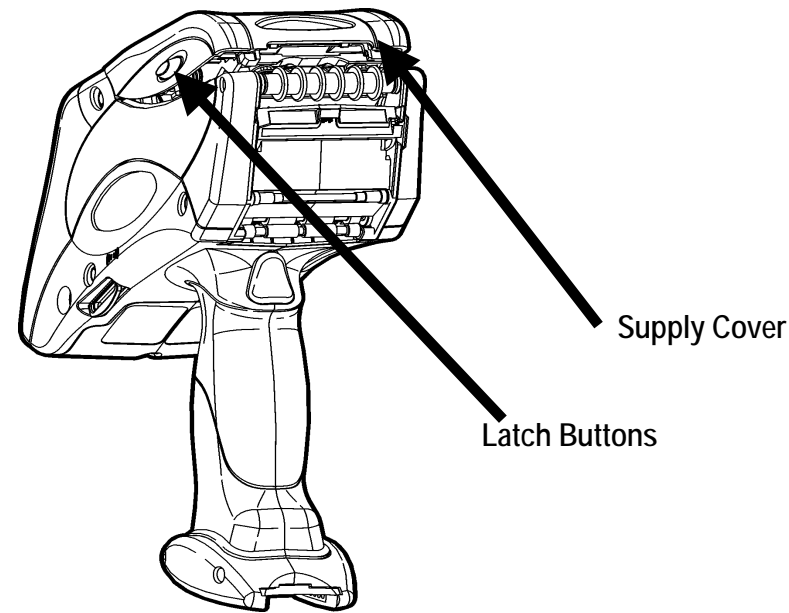
Pathfinder® Ultra® *Platinum* (6039™) Printer

See the *Equipment Manual* for more information.

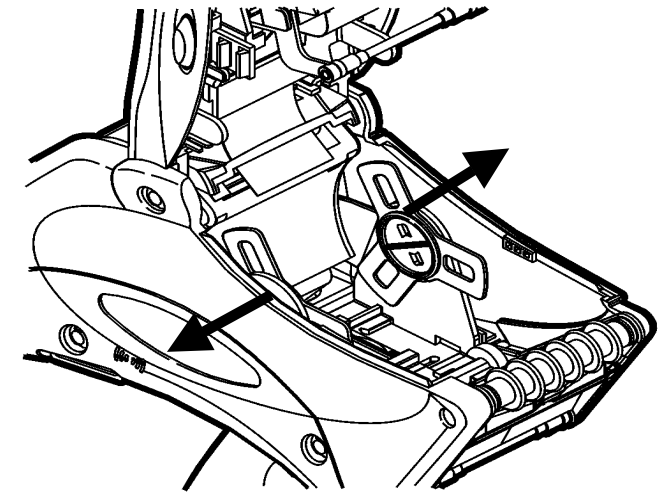
Loading Supplies in Non-Peel Mode

- Turn on the printer and put it into load mode.
6032: Press the Load Key.
6039: Select the supply loading option from the display screen.
Or, ask your System Administrator.

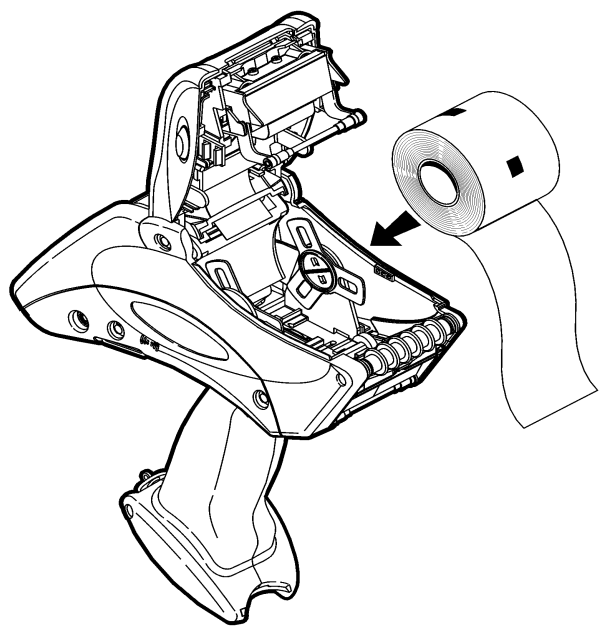
- Press the latch buttons and open the supply cover.



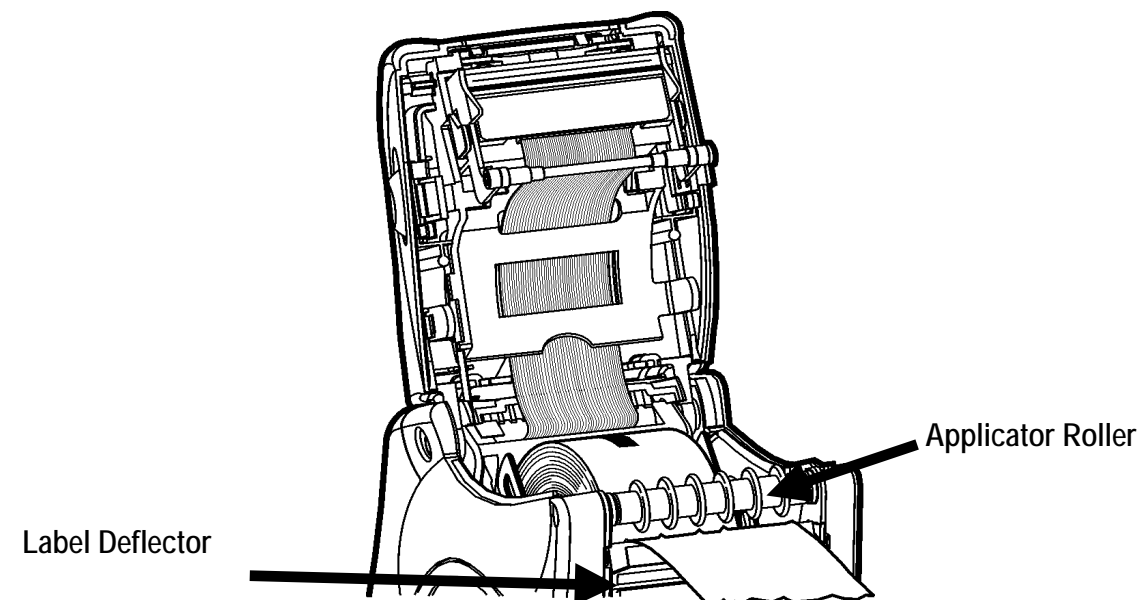
- Open the spring-loaded supply holder.



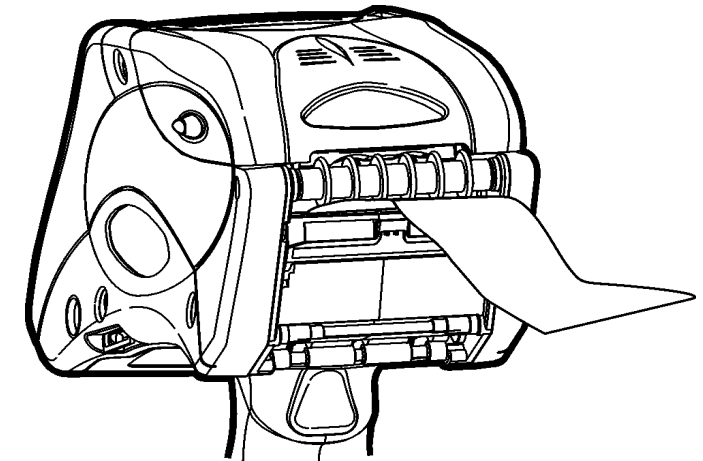
- Insert the supply roll so it feeds from the bottom.



- Feed the supply out the front of the printer, *under* the Applicator Roller and *above* the Label Deflector.



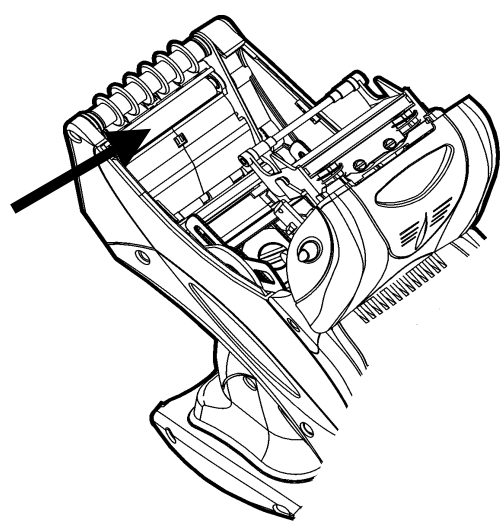
- Close the supply cover and press ESC or return to the previous menu.



Cleaning Your Printer

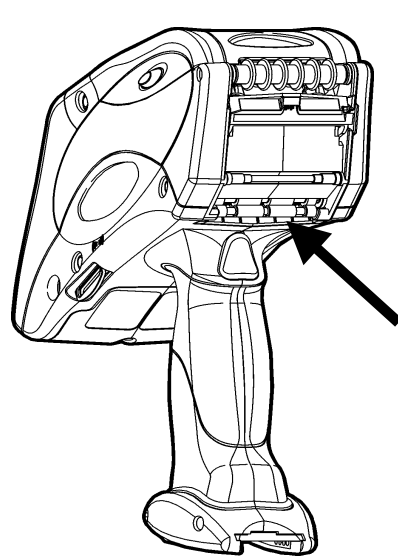
NOTE: Always turn off the printer before cleaning.

Platen Roller



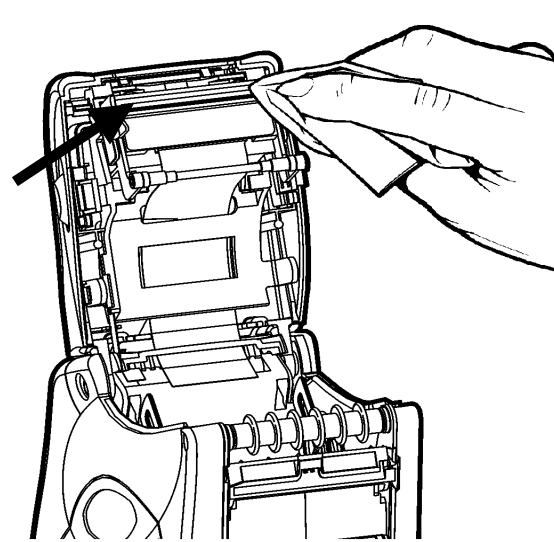
Use a dry, soft-bristle brush.

Pinch and Feed Rollers



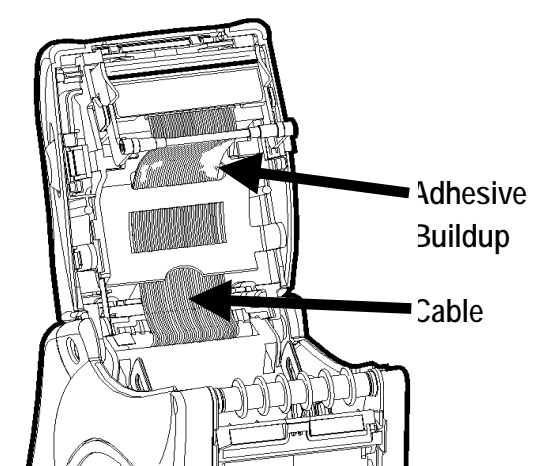
Use a dry, lint-free cloth.

Printhead



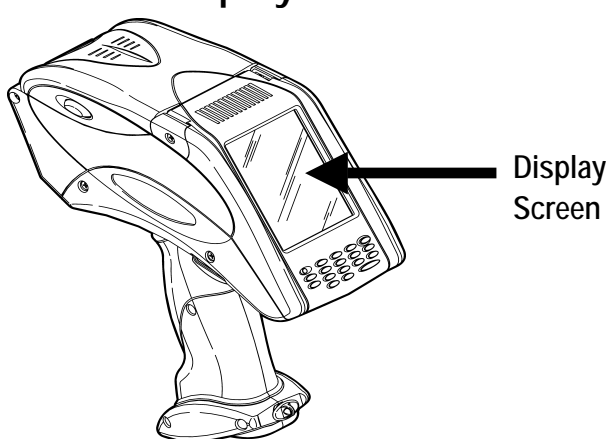
Use a cleaning pen or a soft cloth, lightly moistened with 91% Isopropyl Alcohol.

Printer Flex Cable



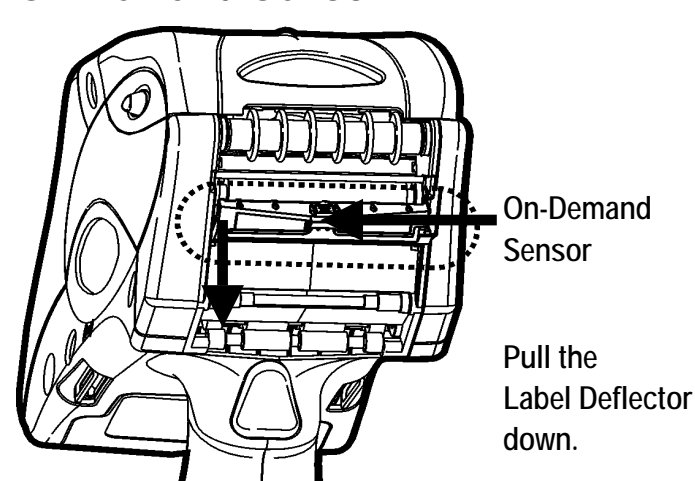
Use a soft cloth, lightly moistened with 91% Isopropyl Alcohol.

Platinum Display Screen



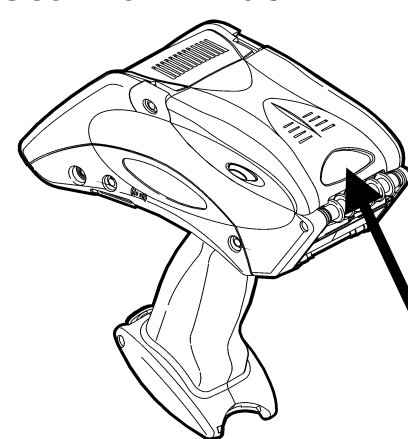
Use a soft cloth, lightly moistened with water.

On-Demand Sensor



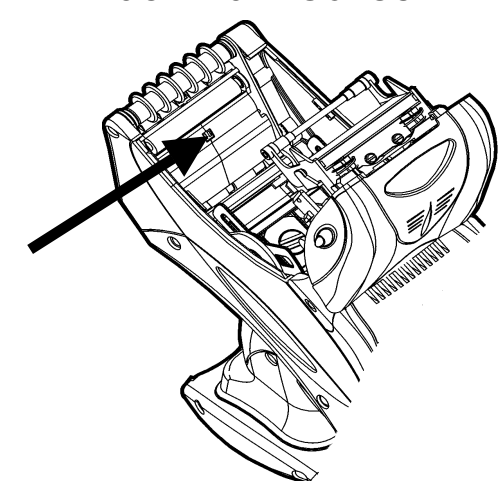
Use a dry cotton swab.

Scanner Window



Use a soft cloth, lightly moistened with water.

Black Mark Sensor



Use a dry cotton swab.

Free Manuals Download Website

<http://myh66.com>

<http://usermanuals.us>

<http://www.somanuals.com>

<http://www.4manuals.cc>

<http://www.manual-lib.com>

<http://www.404manual.com>

<http://www.luxmanual.com>

<http://aubethermostatmanual.com>

Golf course search by state

<http://golfingnear.com>

Email search by domain

<http://emailbydomain.com>

Auto manuals search

<http://auto.somanuals.com>

TV manuals search

<http://tv.somanuals.com>