

OPERATING INSTRUCTIONS

Use these operating instructions with your Monarch® 6015™ Printer. The printer works with the Symbol® SPT 1500 or the Palm III™ series of organizers. With these Palm Computing® connected organizers, the printer can print receipts for retail, health care, or industrial environments. Palm Computing is a subsidiary of 3Com® Corporation.

The printer can print text, bar codes, and some limited graphics on thermal direct receipt paper.

Use these instructions to

- ◆ connect the printer
- ◆ load supplies
- ◆ replace the batteries
- ◆ clean the printhead.

The printer comes packaged with two rolls of supply (one already loaded in the printer). Batteries are not included.

Programming Information

You may need to refer to the Programmer's Manual available from our Web site or in a printed version by ordering part number TC6015PM. It provides an explanation of how to use the printer's command language.

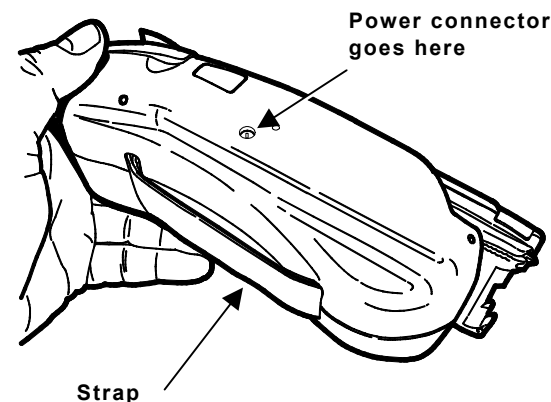
Refer to the Symbol Web site (www.symbol.com) for the Symbol Application Programming Interface (API) documentation. Refer to the 3Com®/Palm Computing Web site (www.palm.com) for more information about the Palm III™ series of organizers.

Powering the Printer

The printer is powered by four (4) AA batteries (not included). To replace the batteries, see "Replacing the Batteries." You can also use the optional AC power adapter. The adapter must be purchased separately.

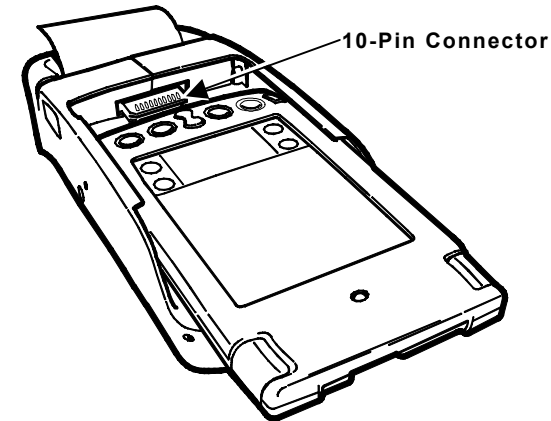
Rechargeable batteries are preferred over alkaline batteries.

If using the optional power adapter, plug the connector into the socket. Plug the other end of the cable into a **grounded** electrical outlet.



Connecting the Printer

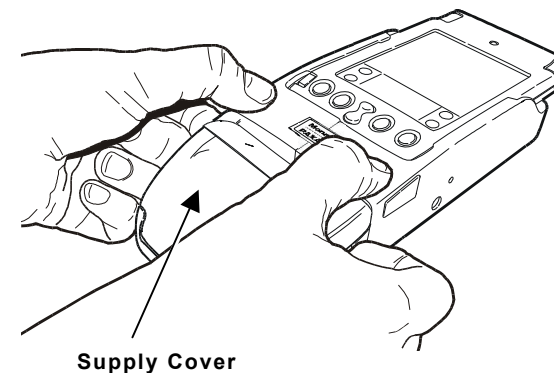
Attach the organizer to the printer's 10-pin connector as shown.



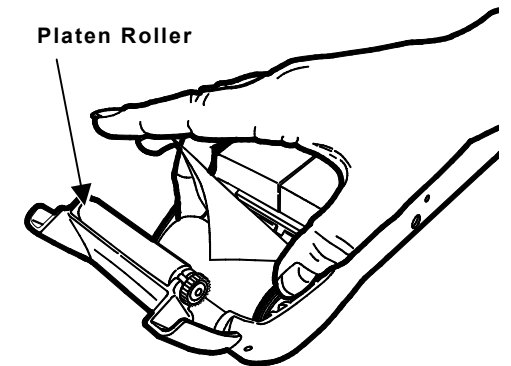
If your organizer has a flip cover, remove the cover before inserting the organizer into the printer.

Loading Supplies

1. Open the supply cover by pressing down with your thumbs and pulling up with your index fingers.



2. Drop the supply into the well. Make sure the supply unwinds from the top as shown.



3. Make sure some supply extends past the platen roller.
4. Close the supply cover.

Cleaning

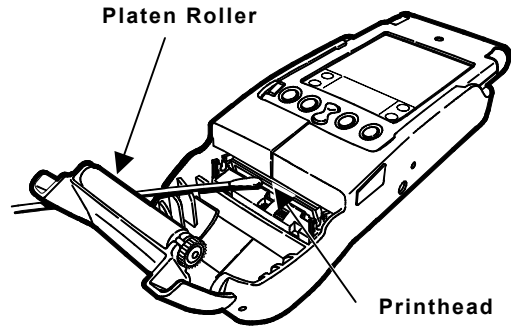
CAUTION

Do not use sharp objects to clean the printhead. This may damage the printer and require a service charge.

You may need to clean the printhead and platen roller

- ◆ after printing approximately six rolls of supply
 - ◆ whenever you load new supplies
 - ◆ when you see voids in the print.
1. Open the supply cover by pulling back firmly on the supply cover.
 2. Remove the supply roll (when cleaning the printhead).

- Moisten a cotton swab with isopropyl alcohol and clean the printhead as shown.

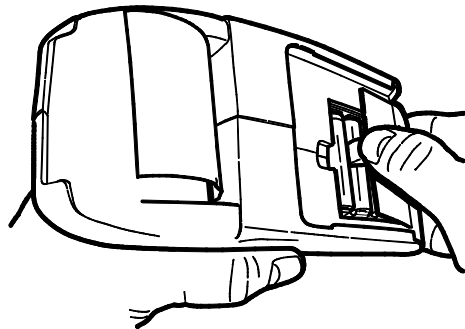


- Clean the platen roller with a dry cloth or small brush. You can also use a cotton swab moistened with isopropyl alcohol. Turn the platen roller with your finger and run the cotton swab or dry cloth across it. Make sure the platen roller is clean all the way around.

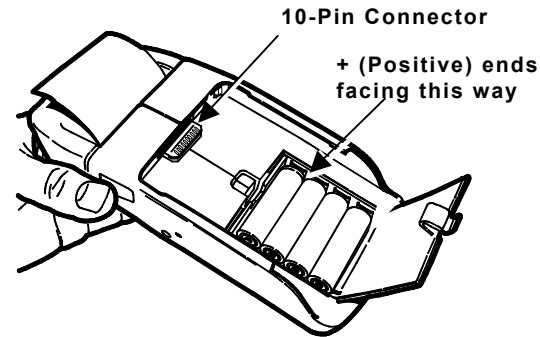
Replacing the Batteries

Batteries are not included with the printer.

- Remove the organizer.
- Open the battery cover.



- Insert four (4) AA Rechargeable (preferred) NiCad, NiMH, or Alkaline batteries to positive and negative connectors as indicated.



- Close the battery cover.
- Attach the organizer to the printer's 10-pin connector.

Troubleshooting

If you cannot fix a problem, call Technical Support.

Problem	Action
Does not feed or has a paper jam.	Remove any jammed supplies. Reload supplies.
Does not print.	Check or replace the batteries. Your organizer's application should include a query for the battery voltage. Refer to the Programmer's Manual for more information.

Problem	Action
Light/heavy printing or voids in printing.	Clean the printhead. Your organizer's application should include a print contrast adjustment. Refer to the <i>Programmer's Manual</i> for more information.

Supported Bar Codes

You can program the printer to print the following bar codes: Codabar, UPC/UCC/EAN/JAN, Interleaved 2 of 5, Code 128, Code 39.

Supported Fonts

The printer supports the following fonts: Standard (normal and bold), Large (normal), Reduced (normal and bold), and Rotated.

Supply Specifications

Use thermal direct receipt paper.

Width:	2.25 inches (57 mm)
Length:	1.0 inch (25.4 mm) minimum feed 8.0 inches (203 mm) maximum feed 600 inches (15,240 mm) per roll
Thickness:	2.7 mils
Roll	Inside: .25 inches (6 mm) coreless
Diameters:	Outside: 1.5 inches (38 mm)

Printer Specifications

Height:	2.38 inches (60 mm)
Width:	3.38 inches (86 mm)
Length:	8.31 inches (211 mm)
Weight:	0.92 lbs. (0.414 kg)
Shipping Weight:	1.5 lbs. (0.675 kg)
Power:	Four (4) AA Rechargeable (preferred) NiCad, NiMH, or Alkaline batteries. Optional AC Power Adapter: 120212 (115 VAC) or 120220 (203 VAC)
Battery Life:	600 inches (15,240 mm) without recharge
Operating Limits:	32° to 104° F (0° to 40° C)
Printhead:	2 inches (51 mm) wide 203 dpi (8 dots per mm)
Printing Method:	Thermal Direct
Print Speed:	1.0 inches per second (for standard receipts) NOTE: The speed is dependent on the application.
Memory:	64K

For more information, call toll free:

1-800-543-6650 (In the U.S.A.)
1-800-263-4650 (In Canada)

www.monarch.com

Free Manuals Download Website

<http://myh66.com>

<http://usermanuals.us>

<http://www.somanuals.com>

<http://www.4manuals.cc>

<http://www.manual-lib.com>

<http://www.404manual.com>

<http://www.luxmanual.com>

<http://aubethermostatmanual.com>

Golf course search by state

<http://golfingnear.com>

Email search by domain

<http://emailbydomain.com>

Auto manuals search

<http://auto.somanuals.com>

TV manuals search

<http://tv.somanuals.com>