

SPECS

PEAVEY ELECTRONICS

DJS™ 1800

Portable DJ System

SPECIFICATIONS

Enclosure:

DJS™ 1800 System

Frequency Response:

40 Hz - 17 kHz

Low Frequency Limit (-3 dB point):

40 Hz

Useable Low Frequency Limit**(-10 dB point):**

35 Hz

Power Handling:

350 watts continuous (37.4 volts RMS)

600 watts program

**Sound Pressure Level 1 Watt at 1
Meter Swept Sine Input in Anechoic
Environment:**

98 dB

Maximum Sound Pressure Level:

121 dB

Radiation Angle Measured at -6 dB**Point of Polar Response:**

500-1.6 kHz

Horizontal: 96° ±15°

Vertical: 92° ±30°

1.6 k-5 kHz

Horizontal: 73° ±15°

Vertical: 74° ±20°

5 k-16 kHz

Horizontal: 97° ±5°

Vertical: 46° ±5°

Directivity Factor, (Mean):

6.87; +6.1, -4.6

Directivity Index Di (Mean):

8.37 dB; +6 dB, -3 dB

Transducer Complement:

DJS 1800 Sub:

18" 4 ohm 1801-4 Black Widow®

woofer with Kevlar® impregnated cone.

DJS 1800:

Peavey 22XT™ titanium compression

driver loaded onto a CH-3 90° H x

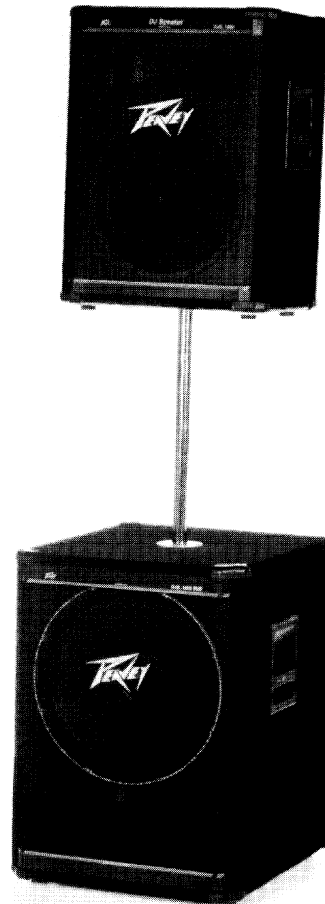
45° V horn and a 15" 4 ohm 15435

Sheffield® midwoofer.

Box Tuning Frequency (Fbox):

DJS 1800 Sub: 55 Hz

DJS 1800 Closed Box (fc): 80 Hz

**Crossover Frequency:**

DJS 1800 Sub: 200 Hz

DJS 1800: 1200 Hz

Crossover Type:

Internal Passive

Electrical Crossover Slope:

Subwoofer: 12 dB/octave low pass (6 dB/
octave high output)

Satellite: 12 dB/octave for satellite internal
high and low pass

Impedance (Nominal):

4 ohms

Impedance (Minimum):

3.9 ohms

Input Connections:

DJS 1800 Sub: One 1/4" female full range
input and one 1/4" female high pass
output

DJS 1800: Two 1/4" female full range
inputs in parallel, one 1/4" female biamp
low input and one 1/4" female biamp high
input

Enclosure Materials and Finish:

3/4" MDF cabinet, braced internally,
covered with durable black carpet, and
reinforced with high impact polymer
corners

Mounting:

DJS 1800 Sub: Internal mounting block,
guide pole, and stand adaptor plate
DJS 1800: Bottom-mounted SA™-1 stand
adaptor, DJS 1800 pole stand

Dimensions:

DJS 1800 Sub:

22.5" W x 30.5" H x 25.75" D

(57.2 cm W x 77.5 cm H x 65.4 cm D)



DJS 1800:
 20.25" W x 27.375" H x 15.25" D
 (51.4 cm W x 69.5 cm H x 38.7 cm D)
 DJS 1800 Pole Stand:
 51.80" H x 1.496" diameter
 (131.6 cm H x 3.8 cm diameter)

Net Weight:

DJS 1800 Sub: 83.4 lbs. (37.9 kg)
 DJS 1800: 64.3 lbs. (29.2 kg)
 DJS 1800 Pole Stand: 3 lbs. (1.4 kg)

Shipping Weight:

DJS 1800 Sub: 93.9 lbs. (42.7 kg)
 DJS 1800: 72.2 lbs. (32.8 kg)
 DJS 1800 Pole Stand: 4 lbs. (1.8 kg)

Additional Remarks:

The DJS™ 1800 Sub, DJS 1800, and DJS 1800 pole stand make up the DJS 1800 System. To prevent the risk of damage and injury, do not use the DJS 1800 pole stand to support any product or system weighing in excess of 65 pounds. Maximum system height shall not exceed 80 inches.

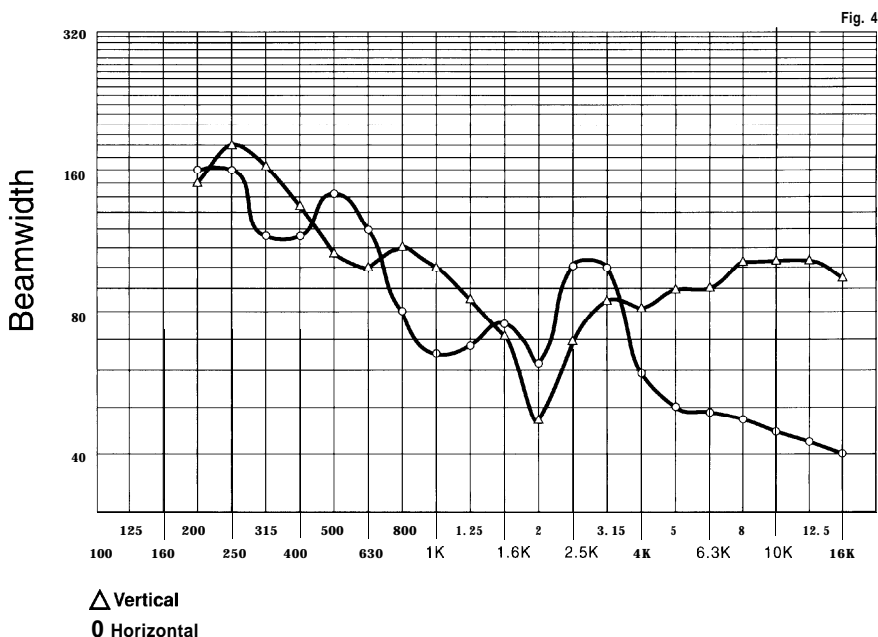
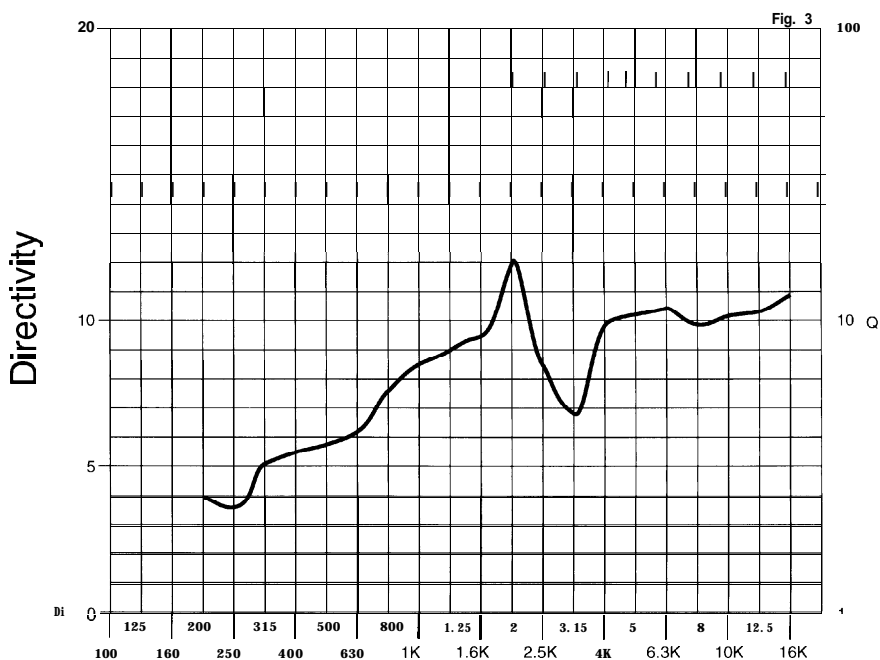
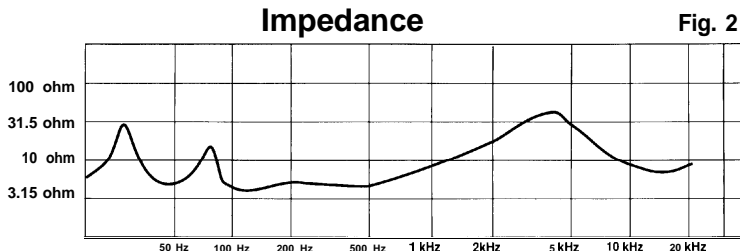
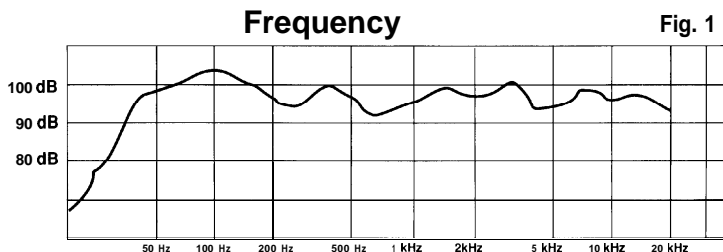
FEATURES

DJS 1800 System:

- Mobile two piece, 3-way DJ system
- Compact design for ease of transportation
- 15" Sheffield 15435 4 ohm
- 22XT™ titanium diaphragm compression driver
- 18" 4 ohm Black Widow® subwoofer with Kevlar impregnated cone
- CH-3 constant directivity horn
- Advanced passive crossover employs premium polypropylene capacitors
- Full range, biamp, and processor capability
- Heavy-duty black carpet covering
- Custom fitted chrome plated pole stand
- SA™-1 stand adaptor
- 16-gauge, three-dimensional, perforated metal grilles
- High quality 1/4" jacks
- 350 watts continuous/600 watts program power
- Recessed handles

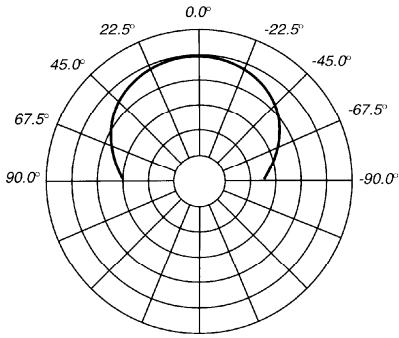
DESCRIPTION

A new addition to the increasingly popular Peavey DJ sound reinforcement line is the DJS 1800 System. This two-piece, three-way DJ sound reinforcement system is ideal for mobile DJ or club use. This system is made up of a two-way DJS 1800 satellite enclosure and the thunderous DJS 1800 Sub. The DJS 1800 features a 4 ohm 15" Sheffield® 15435 woofer in concert with the new 22XT™ titanium diaphragm compression driver and CH-3 horn. The passive crossover design makes a significant contribution to the DJS 1800's excellent performance in full

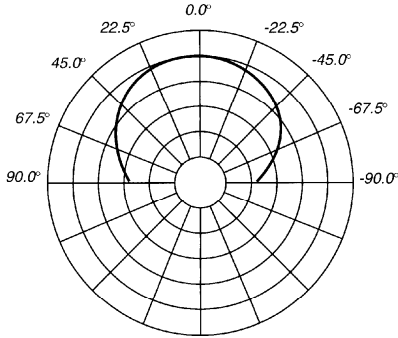


HORIZONTAL POLAR PATTERNS

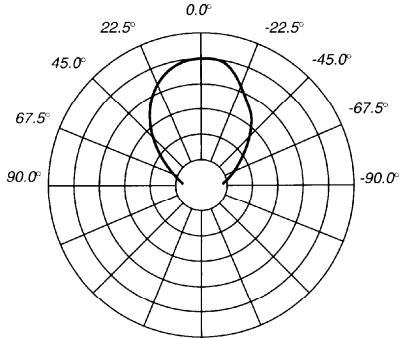
6 dB per division



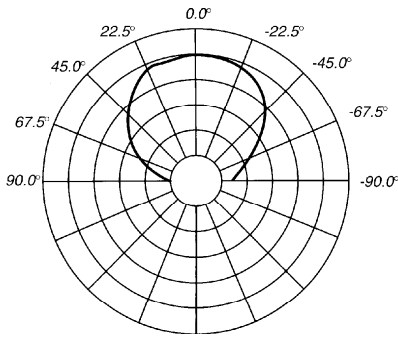
500 Hz



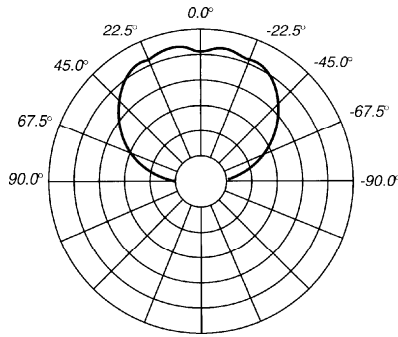
1 kHz



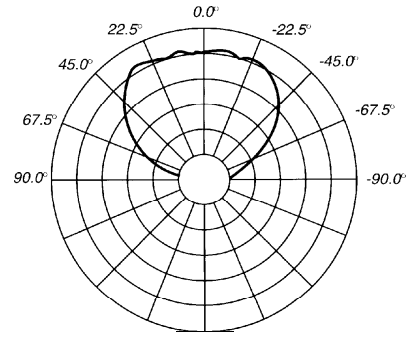
2 kHz



4 kHz



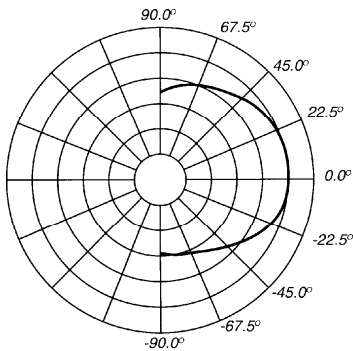
8 kHz



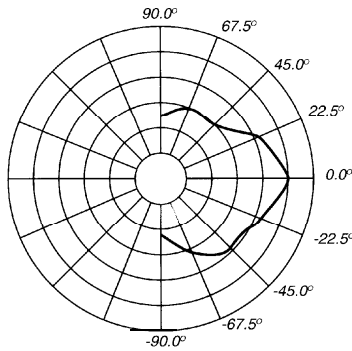
16 kHz

VERTICAL POLAR PATTERNS

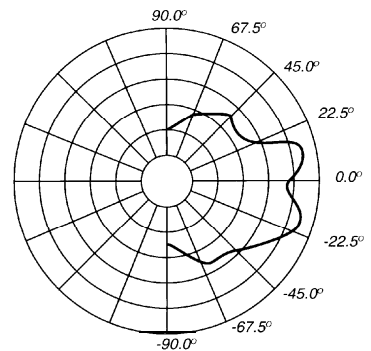
6 dB per division



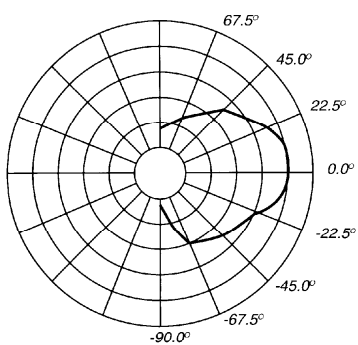
500 Hz



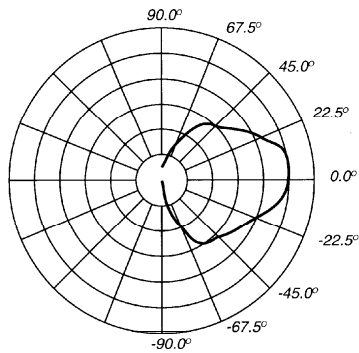
1 kHz



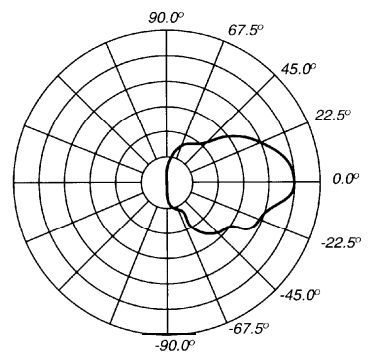
2 kHz



4 kHz



8 kHz



16 kHz

range. Biamp input jacks are also available for biamp applications. The specially voiced satellite speaker projects into the audience via the satellite support pole stand while the DJS 1800 Sub "pumps up" the bass volume with thundering low end. The DJS 1800 Sub is fitted with a special top mounted stand adaptor to facilitate system application. The satellite speaker support pole engages through the enclosure and seats in the base of the DJS 1800 Sub cabinet for truly stable operation.

The DJS 1800 Sub is loaded with the 18" 1801-4 Black Widow® subwoofer for resounding bass response. This portable subwoofer is "built to take it," boasting a 16-gauge perforated metal grille mounted to a high density multiply cabinet covered in heavy-duty black carpet. This system has a rated power handling of 350 watts continuous and 600 watts of program power.

WARNING: TO PREVENT THE RISK OF DAMAGE AND INJURY, DO NOT USE THE DJS™ 1800 POLE STAND TO SUPPORT ANY PRODUCT WEIGHING MORE THAN 65 POUNDS. MAXIMUM SYSTEM HEIGHT MUST NOT EXCEED 80 INCHES.

ARCHITECTURAL & ENGINEERING SPECIFICATIONS

The loudspeaker system shall have an operating bandwidth of 40 Hz to 17 kHz. The output level shall be 98 dB when measured at a distance of one

meter with an input of one watt. The nominal impedance shall be 4 ohms. The continuous power handling shall be 350 watts, maximum program power of 600 watts, with a minimum amplifier headroom of 3 dB. The outside dimensions of the DJS 1800 Sub shall be 22.5 inches wide by 30.5 inches high by 25.75 inches deep. The weight shall be 83.4 lbs. The outside dimensions of the DJS 1800 shall be 20.25 inches wide by 27.375 inches high by 15.25 inches deep. The weight shall be 64.3 lbs.

ONE-YEAR LIMITED WARRANTY

NOTE: For details, refer to the warranty statement. Copies of this statement may be obtained by contacting Peavey Electronics Corporation, P.O. Box 2898, Meridian, Mississippi 39302-2898.



Features and specifications subject to change without notice.

Peavey Electronics Corporation 711 A Street / Meridian, MS 39301 / U.S.A. / (601) 483-5365 / Telex: 504115 / Fax: 486-1278

Free Manuals Download Website

<http://myh66.com>

<http://usermanuals.us>

<http://www.somanuals.com>

<http://www.4manuals.cc>

<http://www.manual-lib.com>

<http://www.404manual.com>

<http://www.luxmanual.com>

<http://aubethermostatmanual.com>

Golf course search by state

<http://golfingnear.com>

Email search by domain

<http://emailbydomain.com>

Auto manuals search

<http://auto.somanuals.com>

TV manuals search

<http://tv.somanuals.com>