

PEAVEY ELECTRONICS

SPECS

Impulse® 1012 Sub

Add-On Weather-Resistant Injection-Molded Subwoofer Speaker System

SPECIFICATIONS

Enclosure:

Peavey Impulse® 1012 Subwoofer

Frequency Response:

Filtered: 52 Hz to 150 Hz
Unfiltered: 52 Hz to 3.5 kHz

Low Frequency Limit

(-3 dB point):

52 Hz

Useable Low Frequency Limit

(-10 dB point):

44 Hz

Power Handling:

Filtered:

- 2,000W peak
- 1,000W program

Unfiltered:

- 2,000W peak
- 1,000W program

Sound Pressure Level

(2.83V @ 1M, swept sine input in anechoic environment):

Filtered:

- 97 dB

Unfiltered:

- 101 dB (midrange level)

Maximum Sound Pressure Level:

Filtered:

- 124 dB continuous

Unfiltered:

- 131 dB continuous



Transducer Complement:

Model 1208 - 4 SPS
12" Black Widow® woofer

Box Tuning Frequency (Fbox):

54 Hz

Crossover Type:

Passive Internal Low Pass

Electroacoustic Crossover

Frequency (Filtered):

150 Hz

Crossover Slope:

12 dB/octave (2nd order)
low pass

Impedance (Nominal):

4 ohms

Impedance (Minimum):

3.4 ohms

Input Connections:

Filtered:

- 1/4" phone jack and 4-pin Neutrik® Speakon® connector in parallel

Unfiltered:

- 4-pin Switching Neutrik® Speakon®

Enclosure Materials and Finish:

Injection-molded, high-impact polypropylene of a nominal thickness of 1/4" with textured finish

Mounting Provisions:

Stand mounting via molded-in mount, flying via Versamount® 70 (top or bottom of cabinet) and four rubber feet for floor use

Dimensions (H x W x D):

23 11/16" (60.17 cm) x 17 13/16" (45.24 cm in front) [10" (24.5 cm) in rear] x 13 3/4" (34.92 cm)

Net Weight: 40 lbs.

Shipping Weight: 46 lbs.



Specifications for Impulse 1012 and Impulse 1012 Subwoofer system, subwoofer used in add-on via filtered input:

Frequency Response:

50 Hz to 18 kHz

Low Frequency Limit (-3 dB point):

50 Hz

Useable Low Frequency Limit (-10 dB point):

43 Hz

Power Handling:

(system at 3.2 ohms)

1000 W program

2000 W peak

Impedance (Nominal):

3.2 ohms

Impedance (Minimum):

2.7 ohms

FEATURES:

- 1000W program power input
- Hypervent™ plus direct radiator design
- Add-on subwoofer with easy hookup (or crossed-over sub)
- 12" weather-resistant Black Widow® woofer
- Filtered input, biamp input
- Built-in carry handles
- Mounting points top and bottom
- Built-in stand mount

DESCRIPTION:

The Impulse® 1012 Subwoofer was designed to complement the Impulse 1012 full-range speaker. To utilize the subwoofer, simply run the normal full-range signal to the Impulse 1012, run a 1/4" phone jack terminated cable or a 4-pin Neutrik® Speakon® terminated cable out from the second jack on the Impulse 1012 full-range speaker system over to the Impulse 1012 Subwoofer then jack into the filtered input on the subwoofer.

The system with the Impulse 1012 full-range system and Impulse 1012 Subwoofer is now a 3.2 ohm composite system with a power handling of 1000

watts. Bass response has been extended to 50 Hz, and the tonal balance of the composite system has been flattened out for a full range dynamic system.

For biamplification use with an electronic crossover, use the unfiltered 4-pin switching Neutrik® Speakon® input jack. This input is also useful for utilizing the Impulse 1012 Subwoofer as a compact, high-output drum monitor.

The Impulse 1012 Subwoofer is equipped with a Peavey Hypervent™. This unique innovation reduces the pipe organ resonance of the vent tube, allowing the vent to seem longer in one dimension than it physically is. By terminating the open end of the vent acoustically (acoustic attenuation), standing waves are reduced and the hollow sound of an ordinary vent is avoided. Avoiding typical vent "sounds", the subwoofer is harder to localize and placement is less critical.

The Peavey Impulse 1012 Subwoofer has a new, high-power, 12" model 1208-4 SPS Black Widow® woofer in it providing high-power, low bass response in a compact system package.

FREQUENCY RESPONSE

This measurement is useful in determining how accurately a given enclosure reproduces an input signal.

The frequency response of the Impulse™ 1012 Sub is measured at 1 meter using a 2.82-volt, swept-sine input. The selected drivers in the Impulse™ 1012 Sub gives a smooth frequency response from 52 Hz to 150 Hz (filtered) and 52 Hz to 3.5 kHz (unfiltered).

POWER HANDLING

There are many different approaches to power handling ratings. Peavey rates this speaker system's power handling using a modified form of the AES Standard 2-1984. Utilizing audio band 20 Hz to 20 kHz pink noise with peaks over four times the RMS level, this strenuous test signal assures the user that every portion of this system can withstand today's high technology music. The test signal contains large amounts of very low frequency energy, effectively simulating the frequency content of live music situations. The full measure of high frequencies in the test signal allow for expo-

sure of the speaker to synthesized tones that may extend beyond audibility. This rating is contingent on having minimum 3 dB of amplifier headroom available.

ARCHITECTURAL AND ENGINEERING SPECIFICATIONS

The loudspeaker system shall have a frequency response from 52 Hz to 150 Hz through the filtered inputs, and from 52 Hz to 3.5 kHz through the unfiltered input. The nominal impedance shall be 4 ohms. The maximum filtered program power shall be 1000 watts and a peak power of 2000 watts. The maximum program power through the unfiltered input shall be 1000 watts and a peak power of 2000 watts with a minimum amplifier headroom of 3 dB. The peak SPL with inaudible distortion shall reach 124 dB through the filtered input, and 128 dB through the unfiltered input with music as a source, when measured at a distance of 1m and driven to full output capacity. The system shall utilize a 12" Black Widow® 1208-4 SPS woofer.

An electrical low pass filter with a resultant corner frequency of 150 Hz shall be included, with input connections to the filter provided via a 1/4" phone jack in parallel with a 4-pin Neutrik® Speakon® connector both labeled "Filtered," and a separate 4-pin switching Neutrik® Speakon® bypasses the filter to go directly to the woofer and is labeled "Unfiltered."

The enclosure shall be constructed of injection-molded polypropylene of 1/4" nominal thickness, and shall have a UL flame rating and reinforced internal ribs. A handgrip shall be molded-in on each side of the woofer and on the top rear edge. A vinyl-coated, perforated metal grille shall be provided for woofer protection. The cabinet shall incorporate four rubber feet for floor standing use, and five mounting point inserts on the top and bottom each for flying use.

The outside dimensions shall be 23 11/16" (60.17 cm) tall by 17 13/16" (45.24 cm) wide in front [10" (24.5 cm) in rear] by 13 3/4" (34.92 cm) deep, and the weight shall be 40 lbs. The loudspeaker system shall be called a Peavey model Impulse 1012 Subwoofer.

⚠ WARNING! When use of a stand is considered, the Peavey S-1™ stand is recommended. Other stands may not have a base sufficiently wide enough for stability and safety.

⚠ CAUTION! For permanent installation, avoid direct cone exposure to sunlight and rain by tilting speaker down and a splash shield on top.

⚠ WARNING: Before attempting to suspend this speaker, consult a certified structural engineer. Speaker can fall from improper suspension, resulting in serious injury and property damage. Do not suspend or mount any product or device from this enclosure! Use only Grade 5 hardware or better. All associated rigging is the responsibility of others.

THREE + TWO LIMITED WARRANTY

NOTE: For details, refer to the warranty statement. Copies of this statement may be obtained by contacting Peavey Electronics Corporation, P.O. Box 2898, Meridian, Mississippi 39302-2898.

Neutrik® & Speakon® are a registered trademark of Neutrik AG.

Impulse® 1012 Subwoofer

Amplitude Response (1W 1m On-Axis)

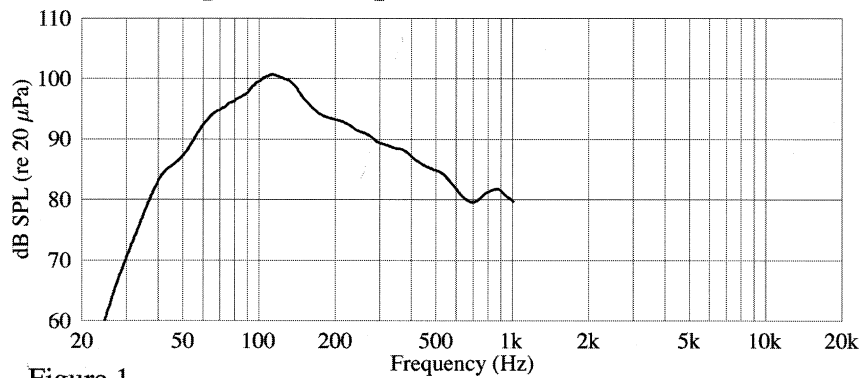


Figure 1

Impedance

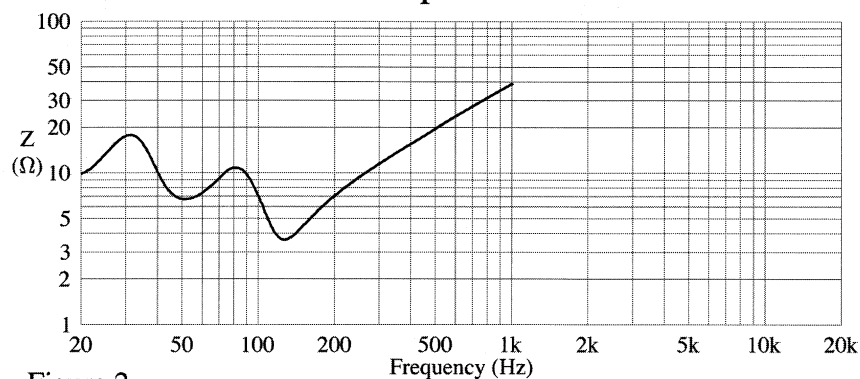
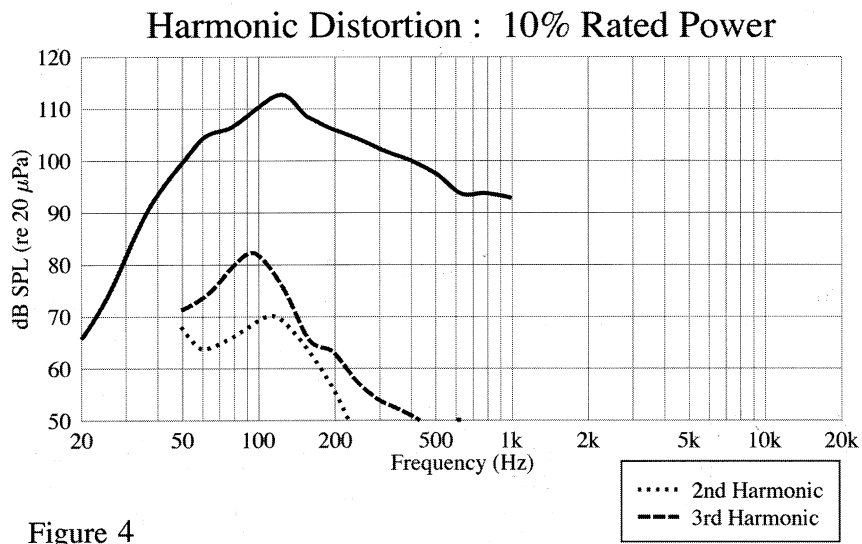
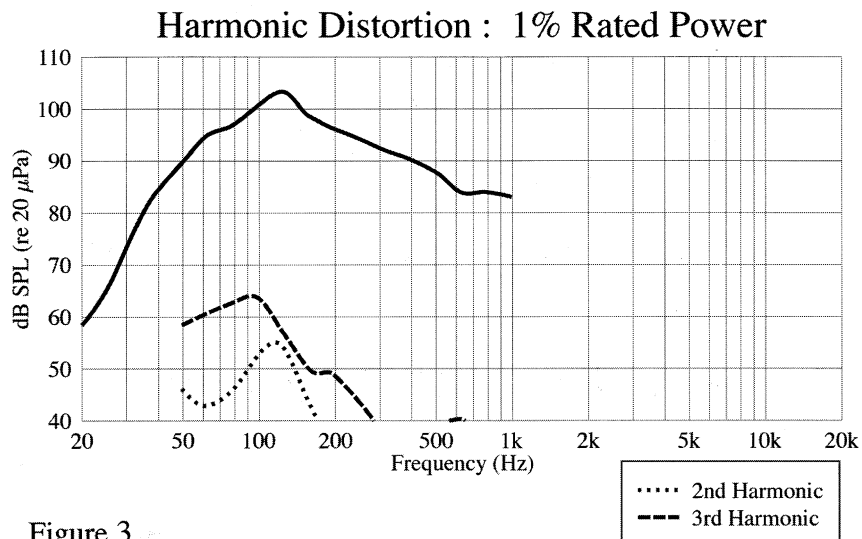


Figure 2

Impulse® 1012 Subwoofer



Impulse® 1012 and Impulse® 1012 Subwoofer

Subwoofer used in add-on mode

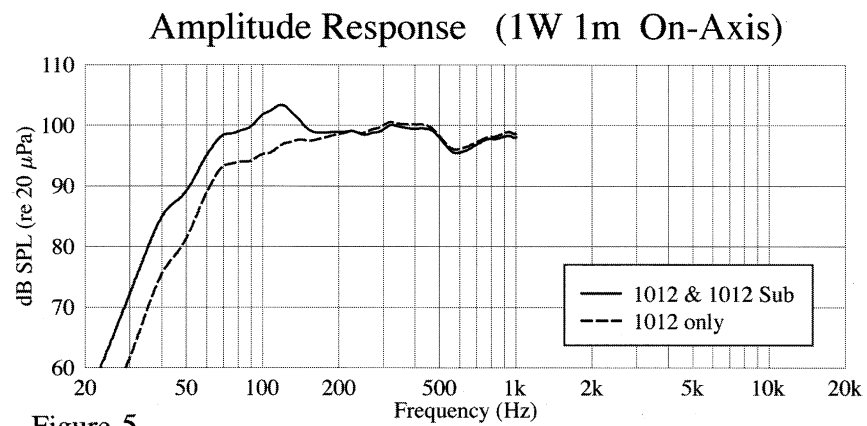


Figure 5

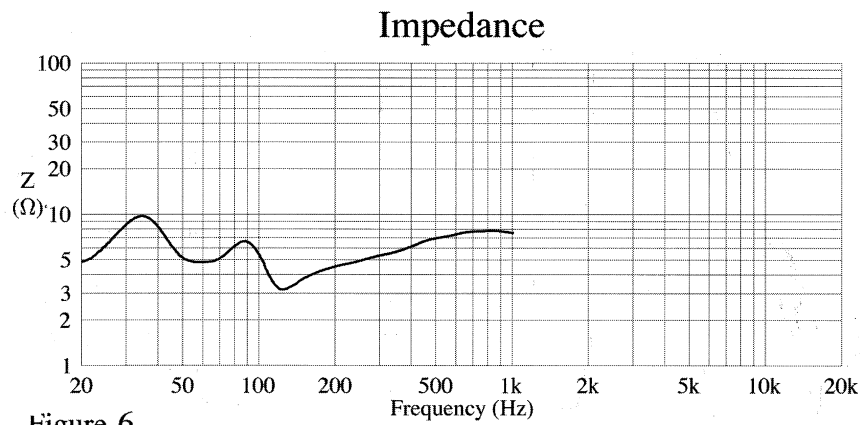
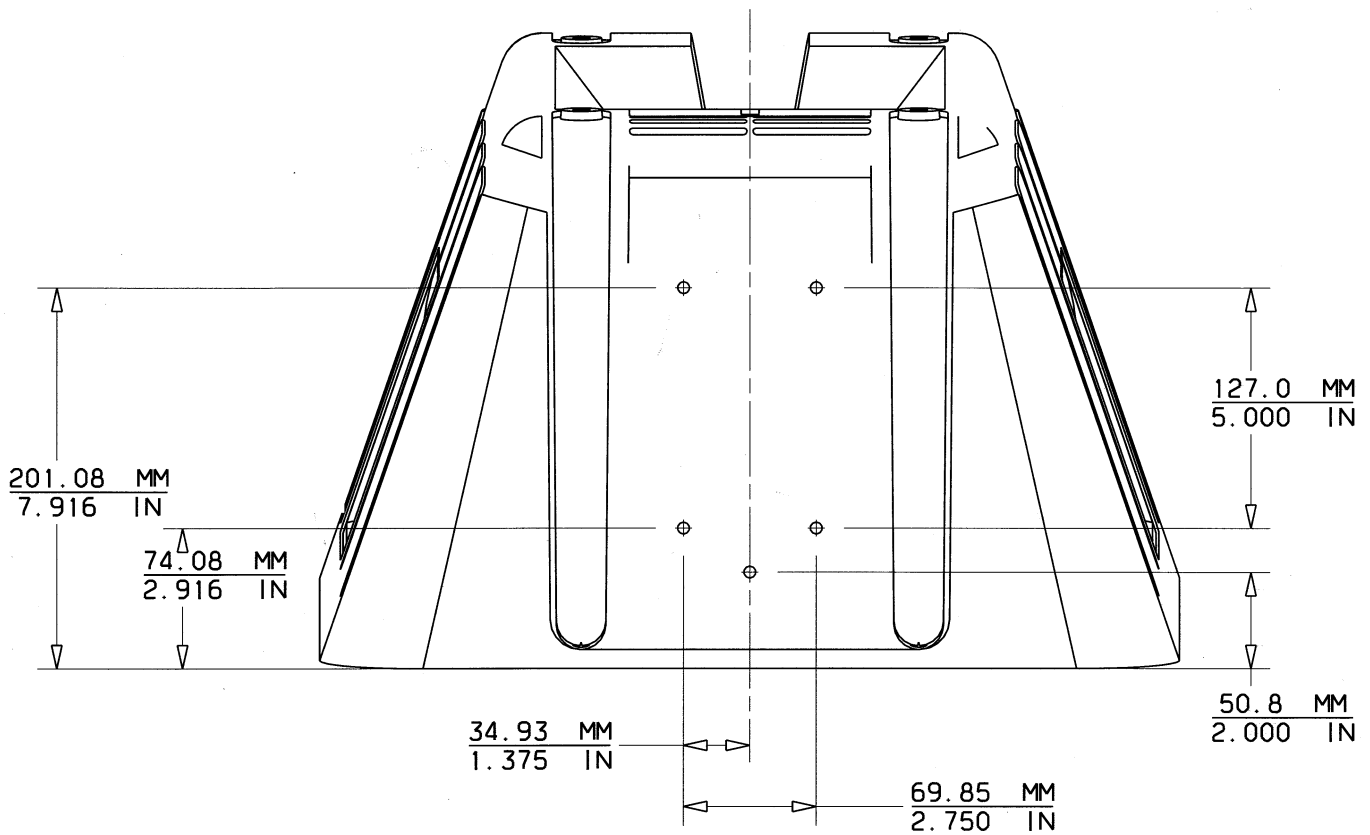


Figure 6

Impulse® 1012 Subwoofer

Top Mounting Dimensions

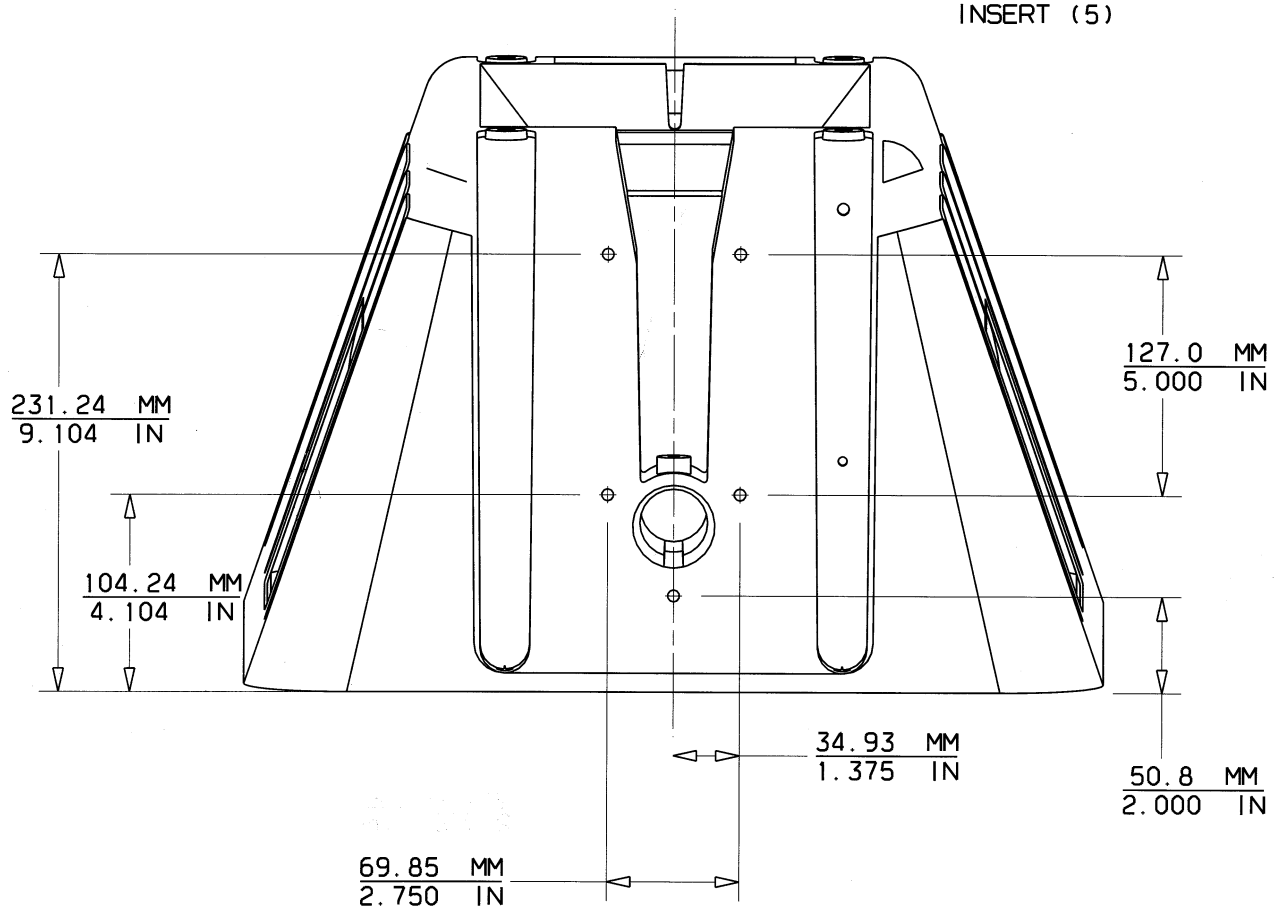
1/4-20 X 3/4 FULL THREAD
INSERT (5)



Impulse® 1012 Subwoofer

Bottom Mounting Dimensions

1/4-20 X 3/4 FULL THREAD
INSERT (5)





Features and specifications subject to change without notice.

Peavey Electronics Corporation • 711 A Street • Meridian • MS • 39301
(601) 483-5365 • FAX (601) 486-1278 • www.peavey.com



80304760

©2000

Printed in the U.S.A. 9/00

Free Manuals Download Website

<http://myh66.com>

<http://usermanuals.us>

<http://www.somanuals.com>

<http://www.4manuals.cc>

<http://www.manual-lib.com>

<http://www.404manual.com>

<http://www.luxmanual.com>

<http://aubethermostatmanual.com>

Golf course search by state

<http://golfingnear.com>

Email search by domain

<http://emailbydomain.com>

Auto manuals search

<http://auto.somanuals.com>

TV manuals search

<http://tv.somanuals.com>