

Prowler™



 **PEAVEY**
OWNER'S MANUAL



Intended to alert the user to the presence of uninsulated “dangerous voltage” within the product’s enclosure that may be of sufficient magnitude to constitute a risk of electric shock to persons.



Intended to alert the user of the presence of important operating and maintenance (servicing) instructions in the literature accompanying the product.

CAUTION: Risk of electrical shock — DO NOT OPEN!

CAUTION: To reduce the risk of electric shock, do not remove cover. No user serviceable parts inside. Refer servicing to qualified service personnel.

WARNING: To prevent electrical shock or fire hazard, do not expose this appliance to rain or moisture. Before using this appliance, read the operating guide for further warnings.



Este símbolo tiene el propósito, de alertar al usuario de la presencia de “(voltaje) peligroso” que no tiene aislamiento dentro de la caja del producto que puede tener una magnitud suficiente como para constituir riesgo de corrientazo.



Este símbolo tiene el propósito de alertar al usuario de la presencia de instrucciones importantes sobre la operación y mantenimiento en la literatura que viene con el producto.

PRECAUCION: Riesgo de corrientazo — ¡No abra!

PRECAUCION: Para disminuir el riesgo de corrientazo, no abra la cubierta. No hay piezas adentro que el usuario pueda reparar. Deje todo mantenimiento a los técnicos calificados.

ADVERTENCIA: Para evitar corrientazos o peligro de incendio, no deje expuesto a la lluvia o humedad este aparato. Antes de usar este aparato, lea más advertencias en la guía de operación.



Ce symbole est utilisé pour indiquer à l'utilisateur la présence à l'intérieur de ce produit de tension non-isolée dangereuse pouvant être d'intensité suffisante pour constituer un risque de choc électrique.



Ce symbole est utilisé pour indiquer à l'utilisateur qu'il ou qu'elle trouvera d'importantes instructions sur l'utilisation et l'entretien (service) de l'appareil dans la littérature accompagnant le produit.

ATTENTION: Risques de choc électrique — NE PAS OUVRIR!

ATTENTION: Afin de réduire le risque de choc électrique, ne pas enlever le couvercle. Il ne se trouve à l'intérieur aucune pièce pouvant être réparée par l'utilisateur. Confier l'entretien à un personnel qualifié.

AVERTISSEMENT: Afin de prévenir les risques de décharge électrique ou de feu, n'exposez pas cet appareil à la pluie ou à l'humidité. Avant d'utiliser cet appareil, lisez les avertissements supplémentaires situés dans le guide.



Dieses Symbol soll den Anwender vor unisolierten gefährlichen Spannungen innerhalb des Gehäuses warnen, die von Ausreichender Stärke sind, um einen elektrischen Schlag verursachen zu können.



Dieses Symbol soll den Benutzer auf wichtige Instruktionen in der Bedienungsanleitung aufmerksam machen, die Handhabung und Wartung des Produkts betreffen.

VORSICHT: Risiko — Elektrischer Schlag! Nicht öffnen!

VORSICHT: Um das Risiko eines elektrischen Schlages zu vermeiden, nicht die Abdeckung entfernen. Es befinden sich keine Teile darin, die vom Anwender repariert werden könnten. Reparaturen nur von qualifiziertem Fachpersonal durchführen lassen.

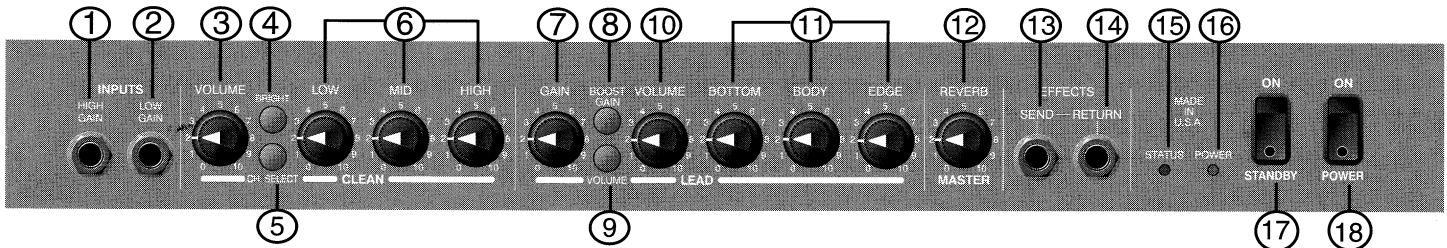
ACHTUNG: Um einen elektrischen Schlag oder Feuergefahr zu vermeiden, sollte dieses Gerät nicht dem Regen oder Feuchtigkeit ausgesetzt werden. Vor Inbetriebnahme unbedingt die Bedienungsanleitung lesen.

ENGLISH

Congratulations on your purchase of the new Prowler™ all-tube amp from Peavey. This 45-Watt amp represents years of tube amp and channel switching research.

The two channels offer optimum flexibility in a small package. The Clean channel includes a Bright switch and three-band passive EQ; while the Lead channel features a three-band active-type EQ, allowing the Lead tone to be even more fine-tuned. The Lead channel also includes an all new footswitchable Boost feature. This Boost may be selected for Gain, Volume, or both types simultaneously, via the front panel switches. This capability emulates the third channel found on some other model amps, and gives you the equivalent of a third channel for the price of two. Both channels share a two-spring premium reverb pan and effects loop. An External Speaker Jack and Resonance Switch are included to expand your playing options.

Please read the following descriptions and features to insure safe and proper operation of the Prowler™.



FRONT PANEL

FRONT PANEL FEATURES

HIGH GAIN INPUT (1)

Used for most electric guitars. It is 10 dB louder than Low Gain input.

LOW GAIN INPUT (2)

Provided for instruments that have extremely high outputs, which can result in overdriving (distorting) the High Gain input. If both inputs are used simultaneously, the levels are the same (both are Low Gain).

VOLUME (3)

Controls the volume level of the Clean channel.

BRIGHT SWITCH (4)

Provides a preset boost (6 dB) to treble frequencies. To activate, depress the switch to its "in" position.

CHANNEL SELECT SWITCH (5)

Allows selection of the Lead or Clean channel. The "in" position of the switch selects the Lead channel and the "out" position selects Clean.

NOTE: Channel selection may also be achieved by the remote footswitch. If remote selection is desired, the channel switch must be in the "in" (Lead) position.

LOW, MID and HIGH EQ (6)

Passive tone controls that regulate the low, mid, and high frequencies of the Clean channel.

GAIN (7)

Controls the input volume level of the Lead channel.

GAIN BOOST (8)

Acts as an extension to the Gain control (#7). When depressed, this switch increases the pregain to add more distortion. The Gain Boost may be selected independently or in conjunction with the Volume Boost (#9). This feature can be controlled via the footswitch. **Note:** Activating this feature is comparable to turning up the Gain control, thus increasing distortion.

VOLUME BOOST (9)

Acts as an extension to the Volume control (#10). When depressed, this switch boosts the overall volume level of the Lead channel. The Volume Boost may be selected independently or in conjunction with the Gain Boost (#8). This feature can be controlled via the footswitch. **Note:** Activating this feature is comparable to turning up the Volume control, thus increasing loudness.

VOLUME (10)

Controls the overall output level of the Lead channel.

BOTTOM, BODY and EDGE EQ (11)

Passive tone controls that regulate the low, mid, and high frequencies (respectively) of the Lead channel.

REVERB LEVEL (12)

Controls the overall reverb level.

EFFECTS SEND (13)

1/4" output jack for supplying signals to external low-level effects or signal processing equipment.

EFFECTS RETURN (14)

1/4" input for returning signals from external low-level effects or signal processing equipment. This is a switching jack. Inserting a plug into this jack will break the signal path until it is returned via the Effects Send (#13) jack.

STATUS LED (15)

There is output when this LED is on. Illuminates when the unit is not in the Standby mode.

POWER LED (16)

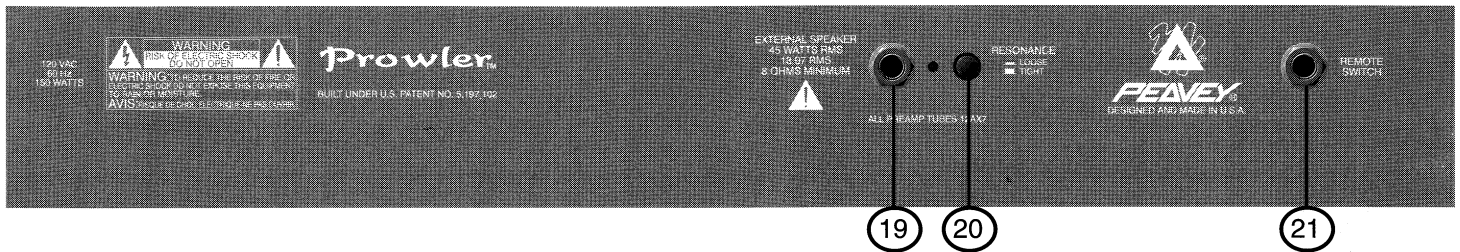
Illuminates when AC power is being supplied to the amp.

STANDBY SWITCH (17)

Placing this switch in the "Standby" position will effectively/shut the amp off while leaving the tube filaments on. This is a useful feature, since much tube wear comes from the heating and cooling of the tube itself. Leaving the unit in "Standby" when you take a break allows the tubes to stay warm while you are not playing. To immediately resume normal amp operation with no warm-up delay, place the switch in the "on" position. **Note:** This switch does not replace the Power Switch (#18). When you are ready to stop playing for an extended period of time, it is then better to turn the amp off via the Power Switch.

POWER SWITCH (18)

To apply power to the unit, depress the switch to the “on” position. The red Power LED (#16) will illuminate, indicating power is being supplied.



BACK PANEL

BACK PANEL FEATURES

A/C POWER INLET: (Located on bottom of chassis)



This is the receptacle for an IEC line cord, which provides AC power to the unit. Connect the line cord to this connector to provide power to the unit. Damage to the equipment may result if improper line voltage is used. (See line voltage marking on unit.)

NOTE: FOR UK ONLY



As the colors of the wires in the mains lead of this apparatus may not correspond with the colored markings identifying the terminals in your plug, proceed as follows: (1) The wire which is colored green and yellow must be connected to the terminal which is marked by the letter E, or by the earth symbol, or colored green or green and yellow. (2) The wire which is colored blue must be connected to the terminal which is marked with the letter N, or the color black. (3) The wire which is colored brown must be connected to the terminal which is marked with the letter L, or the color red.



To avoid the risk of electrical shock, do not place fingers or any other objects into empty tube sockets while power is being supplied to the unit.

EXTERNAL SPEAKER JACK (19)



Provided for connection of external speaker cabinet. Minimum external speaker impedance is 8 ohms (4 ohms total impedance).

RESONANCE SWITCH (20)

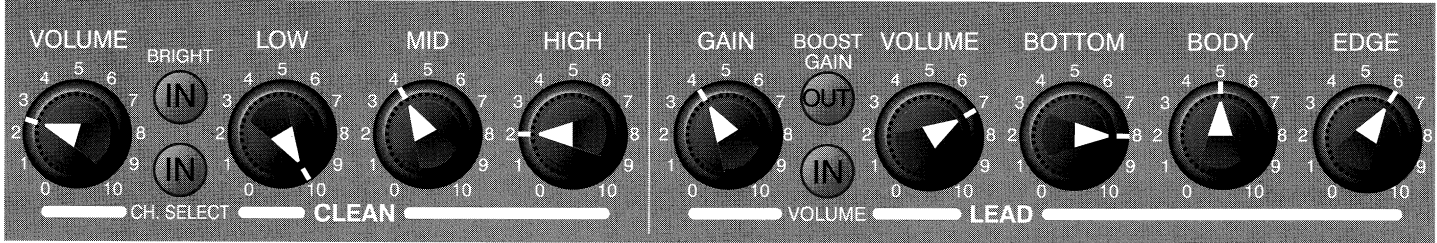
Used to fine-tune the low frequency range of the speaker enclosure by varying the damping factor of the amplifier between two presets. In the “Loose” position the speaker will produce the most lows with a slight sacrifice of signal clarity. In the “Tight” position the speaker will produce less lows with a slightly cleaner signal output. It is better to experiment with this switch to find which setting is best for your sound. It should be noted that this effect can be different from room to room.

REMOTE SWITCH JACK (21)

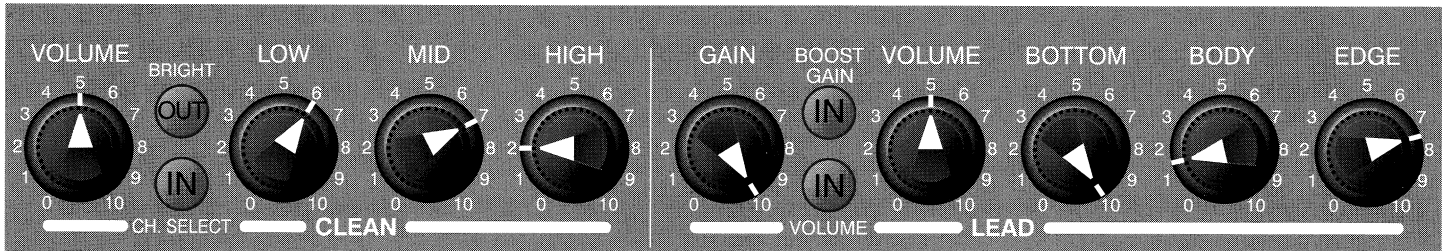
Provided for the connection of the supplied remote footswitch. The footswitch is used to select the Lead or Clean channels and to activate/defeat the Boost switches (number's 8 and 9) within the Lead channel. LED's on the footswitch illuminate to indicate current settings. The footswitch turns on and off either one or both Boost functions (Gain and Volume) as selected by the front panel switches. If no switch is depressed in the Boost section, the Boost footswitch does not function. When using the remote, always insert the plug fully (second click) into the Remote Switch Jack to insure proper operation.

Recommended Tone Settings for Prowler™

Country/Blues



Rock



PROWLER™ SPECIFICATIONS

POWER AMPLIFIER SECTION

Two 6L6GC's with 12AX7 / ECC83 driver

Rated Power and Load:

45 W RMS into 8 or 4 ohms

Power @ Clipping:

(typically @ 5% THD, 1 kHz, 120 V AC line)

45 W RMS into 8 or 4 ohms

Frequency Response:

+0, -2 dB 50 Hz to 20 kHz

Hum and Noise:

Greater than 75 dB below rated power

Power Consumption:

150 W, 50/60 Hz, 120 VAC (domestic)

PREAMP SECTION

The following specs are measured @ 1 kHz with the controls preset as follows:

Low and High EQ @ 10, Mid EQ @ 0

Bright "out"

Lead Post @ 10

Gain switch "out"

Volume switch "in"

Bottom, Body, and Edge @ 5

Reverb level @ 0

(Nominal levels are with Volume/Gain controls @ 5.

Minimum levels are with Volume/Gain controls @

10.)

Preamp High Gain Input:

Impedance: Very High-Z, 470k ohms

Lead Channel: (with Channel Select "in")

Nominal Input Level: -44 dBV, 6 mV RMS

Minimum Input Level: -63 dBV, 0.7 mV RMS

Clean Channel: (with Channel Select "out")

Nominal Input Level: -13 dBV, 225 mV RMS

Minimum Input Level: -23 dBV, 69 mV RMS

Preamp Low Gain Input (-10 dB Pad):

Impedance: High-Z, 68k ohms

(all levels are increased by +10 dB)

Effects Send:

Load Impedance: High-Z, 22k ohms or greater

Nominal Output: 0 dBV, 1.0 V RMS

Effects Return:

Impedance: Very High-Z, 1M ohms

Designed Level: 0 dBV, 1.0 V RMS

Remote Footswitch:

Special 2-button unit with LED indicators (supplied) for channel selection (CHANNEL), and a special pre-set Volume Boost and/or Gain Boost function selectable via the front panel GAIN and VOLUME switches (BOOST).

System Hum and Noise @ Nominal Input Level:

(Clean channel, 20 Hz to 20 kHz unweighted)

Greater than 75 dB below rated power

Equalization (Clean channel only):

Custom Low, Mid, and High passive EQ

Push Bright: +6dB @ 3.5 kHz

Voicing (Lead channel only):

Active-type Bottom, Body, and Edge EQ

Push Gain: Increases Gain in Lead channel (footswitchable)

Push Volume: +3 dB Volume Boost in Lead channel (footswitchable)

Dimensions and Weight:

18.25" H x 21.375" W x 10.25" D

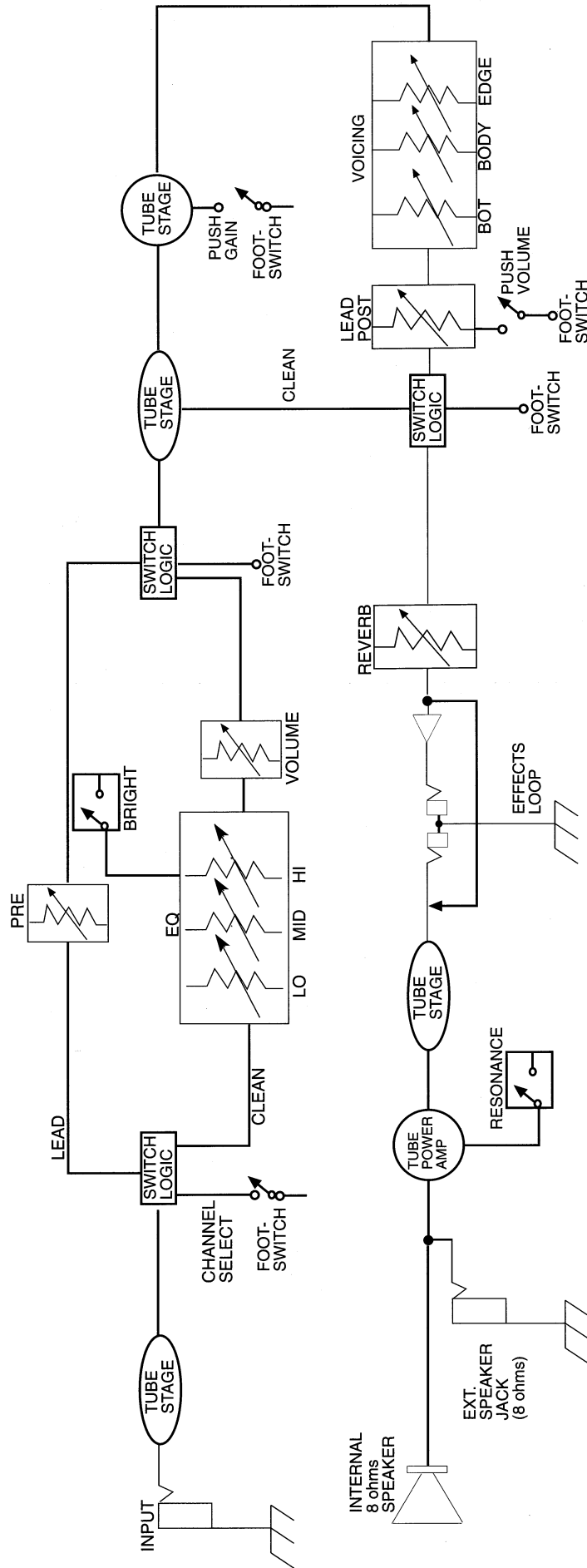
46.35 cm x 54.29 cm x 26.035 cm

44.5 pounds (Approx. 20.18 kg)



Due to our efforts for constant improvements features and specifications listed herein are subject to change without notice.

PROWLER™ FLOWCHART



PEAVEY ELECTRONICS CORPORATION LIMITED WARRANTY

Effective Date: July 1, 1998

What This Warranty Covers

Your Peavey Warranty covers defects in material and workmanship in Peavey products purchased and serviced in the U.S.A. and Canada.

What This Warranty Does Not Cover

The Warranty does not cover: (1) damage caused by accident, misuse, abuse, improper installation or operation, rental, product modification or neglect; (2) damage occurring during shipment; (3) damage caused by repair or service performed by persons not authorized by Peavey; (4) products on which the serial number has been altered, defaced or removed; (5) products not purchased from an Authorized Peavey Dealer.

Who This Warranty Protects

This Warranty protects only the original retail purchaser of the product.

How Long This Warranty Lasts

The Warranty begins on the date of purchase by the original retail purchaser. The duration of the Warranty is as follows:

Product Category	Duration
Guitars/Basses, Amplifiers, Pre-Amplifiers, Mixers, Electronic Crossovers and Equalizers	2 years [*] (+ 3 years)
Drums	2 years [*] (+ 1 year)
Enclosures	3 years [*] (+ 2 years)
Digital Effect Devices and Keyboard and MIDI Controllers	1 year [*] (+ 1 year)
Microphones	2 years
Speaker Components (incl. speakers, baskets, drivers, diaphragm replacement kits and passive crossovers) and all Accessories	1 year
Tubes and Meters	90 days

[^{*}denotes additional warranty period applicable if optional Warranty Registration Card is completed and returned to Peavey by original retail purchaser within 90 days of purchase.]

What Peavey Will Do

We will repair or replace (at Peavey's discretion) products covered by warranty at no charge for labor or materials. If the product or component must be shipped to Peavey for warranty service, the consumer must pay initial shipping charges. If the repairs are covered by warranty, Peavey will pay the return shipping charges.

How To Get Warranty Service

(1) Take the defective item and your sales receipt or other proof of date of purchase to your Authorized Peavey Dealer or Authorized Peavey Service Center.

OR

(2) Ship the defective item, prepaid, to Peavey Electronics Corporation, International Service Center, 412 Highway 11 & 80 East, Meridian, MS 39301 or Peavey Canada Ltd., 95 Shields Court, Markham, Ontario, Canada L3R 9T5. Include a detailed description of the problem, together with a copy of your sales receipt or other proof of date of purchase as evidence of warranty coverage. Also provide a complete return address.

Limitation of Implied Warranties

ANY IMPLIED WARRANTIES, INCLUDING WARRANTIES OF MERCHANTABILITY AND FITNESS FOR A PARTICULAR PURPOSE, ARE LIMITED IN DURATION TO THE LENGTH OF THIS WARRANTY.

Some states do not allow limitations on how long an implied warranty lasts, so the above limitation may not apply to you.

Exclusions of Damages

PEAVEY'S LIABILITY FOR ANY DEFECTIVE PRODUCT IS LIMITED TO THE REPAIR OR REPLACEMENT OF THE PRODUCT, AT PEAVEY'S OPTION. IF WE ELECT TO REPLACE THE PRODUCT, THE REPLACEMENT MAY BE A RECONDITIONED UNIT. PEAVEY SHALL NOT BE LIABLE FOR DAMAGES BASED ON INCONVENIENCE, LOSS OF USE, LOST PROFITS, LOST SAVINGS, DAMAGE TO ANY OTHER EQUIPMENT OR OTHER ITEMS AT THE SITE OF USE, OR ANY OTHER DAMAGES WHETHER INCIDENTAL, CONSEQUENTIAL OR OTHERWISE, EVEN IF PEAVEY HAS BEEN ADVISED OF THE POSSIBILITY OF SUCH DAMAGES

Some states do not allow the exclusion or limitation of incidental or consequential damages, so the above limitation or exclusion may not apply to you.

This Warranty gives you specific legal rights, and you may also have other rights which vary from state to state.

If you have any questions about this warranty or service received or if you need assistance in locating an Authorized Service Center, please contact the Peavey International Service Center at (601) 483-5365 / Peavey Canada Ltd. at (905) 475-2578.

Features and specifications subject to change without notice.

IMPORTANT SAFETY INSTRUCTIONS

WARNING: When using electric products, basic cautions should always be followed, including the following:

1. Read these instructions.
2. Keep these instructions.
3. Heed all warnings.
4. Follow all instructions.
5. Do not use this apparatus near water. For example, near or in a bathtub, swimming pool, sink, wet basement, etc.
6. Clean only with a damp cloth.
7. Do not block any of the ventilation openings. Install in accordance with manufacturer's instructions. It should not be placed flat against a wall or placed in a built-in enclosure that will impede the flow of cooling air.
8. Do not install near any heat sources such as radiators, heat registers, stoves or other apparatus (including amplifiers) that produce heat.
9. Do not defeat the safety purpose of the polarized or grounding-type plug. A polarized plug has two blades with one wider than the other. A grounding type plug has two blades and a third grounding prong. The wide blade or third prong is provided for your safety. When the provided plug does not fit into your inlet, consult an electrician for replacement of the obsolete outlet. Never break off the grounding. Write for our free booklet "Shock Hazard and Grounding". Connect only to a power supply of the type marked on the unit adjacent to the power supply cord.
10. Protect the power cord from being walked on or pinched, particularly at plugs, convenience receptacles, and the point they exit from the apparatus.
11. Only use attachments/accessories provided by the manufacturer.
12. Use only with a cart, stand, tripod, bracket, or table specified by the manufacturer, or sold with the apparatus. When a cart is used, use caution when moving the cart/apparatus combination to avoid injury from tip-over.
13. Unplug this apparatus during lightning storms or when unused for long periods of time.
14. Refer all servicing to qualified service personnel. Servicing is required when the apparatus has been damaged in any way, such as power-supply cord or plug is damaged, liquid has been spilled or objects have fallen into the apparatus, the apparatus has been exposed to rain or moisture, does not operate normally, or has been dropped.
15. If this product is to be mounted in an equipment rack, rear support should be provided.
16. Exposure to extremely high noise levels may cause a permanent hearing loss. Individuals vary considerably in susceptibility to noise-induced hearing loss, but nearly everyone will lose some hearing if exposed to sufficiently intense noise for a sufficient time. The U.S. Government's Occupational and Health Administration (OSHA) has specified the following permissible noise level exposures:

Duration Per Day In Hours	Sound Level dBA, Slow Response
8	90
6	92
4	95
3	97
2	100
1 1/2	102
1	105
1/2	110
1/4 or less	115

According to OSHA, any exposure in excess of the above permissible limits could result in some hearing loss. Ear plugs or protectors to the ear canals or over the ears must be worn when operating this amplification system in order to prevent a permanent hearing loss, if exposure is in excess of the limits as set forth above. To ensure against potentially dangerous exposure to high sound pressure levels, it is recommended that all persons exposed to equipment capable of producing high sound pressure levels such as this amplification system be protected by hearing protectors while this unit is in operation.

SAVE THESE INSTRUCTIONS!



PEAVEY

Features and specifications subject to change without notice.

Peavey Electronics Corporations • 711 A Street • Meridian, MS 39301 • U.S.A.
(601) 483-5367 • Fax (601) 486-1678 • www.peavey.com



80304549

Free Manuals Download Website

<http://myh66.com>

<http://usermanuals.us>

<http://www.somanuals.com>

<http://www.4manuals.cc>

<http://www.manual-lib.com>

<http://www.404manual.com>

<http://www.luxmanual.com>

<http://aubethermostatmanual.com>

Golf course search by state

<http://golfingnear.com>

Email search by domain

<http://emailbydomain.com>

Auto manuals search

<http://auto.somanuals.com>

TV manuals search

<http://tv.somanuals.com>