

# OPERATING INSTRUCTIONS



Intended to alert the user to the presence of uninsulated "dangerous voltage" within the product's enclosure that may be of sufficient magnitude to constitute a risk of electric shock to persons.



Intended to alert the user to the presence of important operating and maintenance (servicing) instructions in the literature accompanying the product.

**CAUTION: Risks of electrical shock — DO NOT OPEN**

**CAUTION: To reduce the risk of electric shock, do not remove cover. No user serviceable parts inside. Refer Servicing to qualified service personnel.**

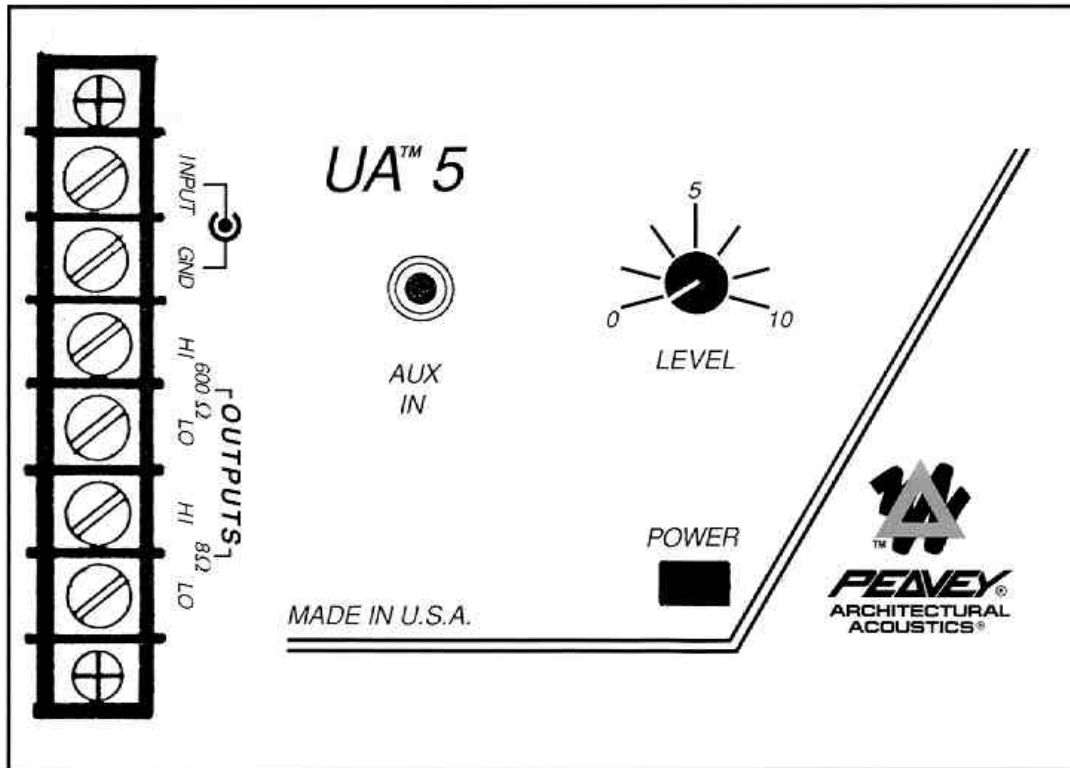
## UA<sup>TM</sup> 5

### *Utility Amplifier*



**PEAVEY<sup>®</sup>**

ARCHITECTURAL  
ACOUSTICS<sup>®</sup>



### WARNING!

DO NOT ATTEMPT TO INSTALL THIS UNIT WHILE IT, OR ANY CONNECTING UNITS, ARE POWERED ON. RISK OF ELECTRICAL SHOCK EXISTS IF ALL UNITS ARE NOT POWERED OFF DURING INSTALLATION. TO PREVENT ELECTRICAL SHOCK OR FIRE HAZARD, DO NOT EXPOSE THIS APPLIANCE TO RAIN OR MOISTURE.

### FEATURES:

#### POWER OUTPUT:

5 watts RMS into 8 ohms

#### INPUTS:

Unbalanced high Z with RCA phono jack and screw terminals

#### CONTROLS

Level adjustment knob

#### OUTPUT:

Screw terminals, 8 ohms and 600 ohms

#### PACKAGE:

Painted metal box with mounting flange

### DESCRIPTION

The UA™ 5 is a high quality utility amplifier ideally suited for a majority of installation requirements. The continuous 5 watt capability of the UA 5 can handle most audio situations for driving headphones, small monitor speakers, and a broad range of line amplification.

The level control is a convenient rotary device and is located near the input/output terminal strip. The input may be accessed via phone jack or screw terminals and a pilot light is provided to indicate that electrical power is being supplied to the unit.

Applications: The UA 5 finds excellent acceptance as a low-level line amplifier. In this configuration, the 600 ohm balanced output or the 8 ohm output can be used to drive the input of other power amplifiers remotely located from the music source.

Telephone facilities with provision for music/message-on-hold usually require either 600 ohm or 8 ohm inputs to their cards and both are provided with the UA 5. (See diagram on back.)

The UA 5 may be used as a driver/amplifier for several sets of headphones.

### WALL OR SHELF MOUNTING

The UA 5 can be mounted on a vertical or horizontal surface using the brackets formed on the bottom panel. For mounting on a wooden or paneled surface use No. 6x1/2" or larger wood screws. For mounting onto a masonry or drywall type surface use fasteners which are designed for this purpose.

### ARCHITECTURAL AND ENGINEERING SPECIFICATIONS

The utility amplifier shall be a single channel line level amplifier. The unit shall have one level control. Inputs to the amplifier shall be made via barrier strip connections or phono jack. Outputs shall be made by barrier strip connections. The unit shall be packaged in a rugged metal chassis 5 5/8" wide by 2 1/8" high by 3 5/8" deep. One-half inch mounting flanges shall be provided on each side. The unit shall operate from standard 120 Volts AC, 60 Hz power. The amplifier shall be capable of delivering 5 watts into 8 ohms at 3% or less distortion from 50 Hz to 20 kHz with hum and noise at least 80 dB below rated power (.5% distortion at 4 watts). The unit shall also provide a 600 ohm output. The unit shall be called the Peavey Architectural Acoustics Division model UA™ 5.

## SPECIFICATIONS

### Power Output:

5 watts RMS into 8 ohms

### Frequency Response:

50 Hz to 20 kHz  $\pm 1$  dB

### Distortion:

3% THD @ 5W

5% THD @ 4W

### Output Level:

+18 dBm (6.3 V RMS) across 600 ohms

### Input Sensitivity:

150 mV

### Input Impedance:

100K ohms

### Hum and Noise:

80 dB below rated power

### Output Impedance:

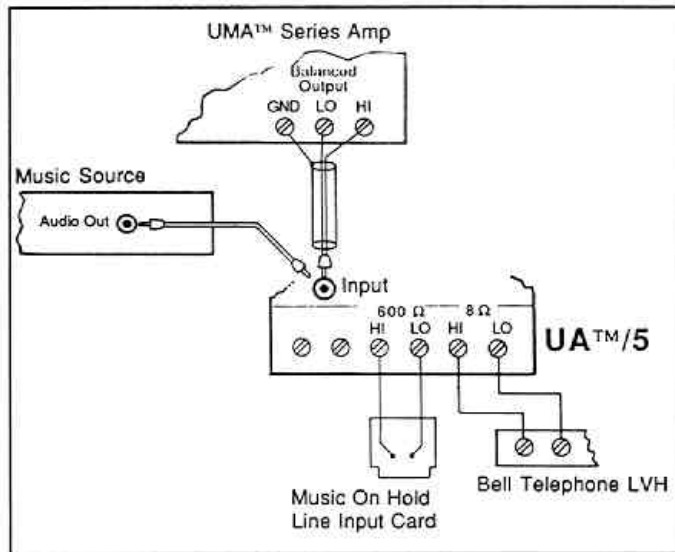
8 ohms, 600 ohms

### Power Consumption:

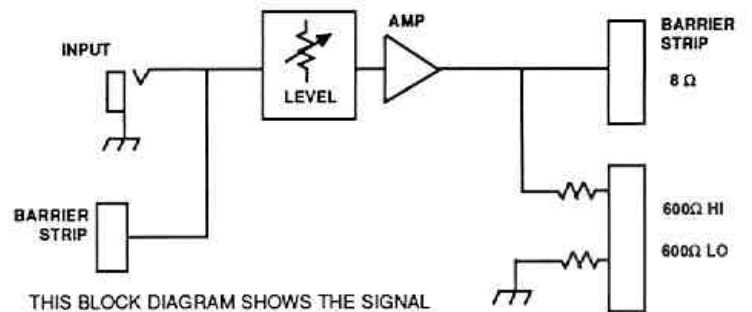
10 W, 120 VAC/60 Hz

### Dimensions:

5 $\frac{5}{8}$ " wide, 2 $\frac{1}{8}$ " high, 3 $\frac{5}{8}$ " deep



## BLOCK DIAGRAM



THIS BLOCK DIAGRAM SHOWS THE SIGNAL PATH WITHIN THE AMPLIFIER. IN ORDER TO THOROUGHLY UNDERSTAND THE FUNCTIONS OF THE AMPLIFIER, PLEASE STUDY THE BLOCK DIAGRAM CAREFULLY.

## LIMITED WARRANTY

Peavey Electronics Corporation warrants to the original purchaser of this new Architectural Acoustics® product that it is free from defects in material and workmanship. If within one (1) year from date of purchase a properly installed product proves to be defective and Peavey is notified, Peavey will repair or replace it at no charge. (Note: Batteries and patch cords not covered.) "Original purchaser" means the customer for whom the product is originally installed.

Damage resulting from improper installation, interconnection of a unit or system of another manufacturer, accident or unreasonable use, neglect or any other cause not arising from defects in material and workmanship is not covered by this warranty. The warranty is valid only as to products purchased and installed in the United States.

**THIS LIMITED WARRANTY IS IN LIEU OF ANY AND ALL WARRANTIES, EXPRESSED OR IMPLIED, INCLUDING THE IMPLIED WARRANTIES OF MERCHANTABILITY AND FITNESS FOR A PARTICULAR USE. UNDER NO CIRCUMSTANCES WILL PEAVEY BE LIABLE FOR ANY LOST PROFITS, LOST SAVINGS, INCIDENTAL DAMAGES OR CONSEQUENTIAL DAMAGES ARISING OUT OF THE USE OR INABILITY TO USE THE PRODUCT, EVEN IF PEAVEY HAS BEEN ADVISED OF THE POSSIBILITY OF SUCH DAMAGE. THIS LIMITED WARRANTY IS THE ONLY EXPRESSED WARRANTY ON THIS PRODUCT, AND NO OTHER STATEMENT, REPRESENTATION, WARRANTY, OR AGREEMENT BY ANY PERSON SHALL BE VALID OR BINDING UPON PEAVEY.**

Peavey's liability to the original purchaser for damages for any cause whatsoever and regardless of the form of action, is limited to the actual damages up to the greater of Five Hundred Dollars (\$500) or an amount equal to the purchase price of the product that caused the damage or that is the subject of or is directly related to the cause of action. This limitation of liability will not apply to claims for personal injury or damage to real property or tangible personal property allegedly caused by Peavey's negligence. For information on service under this warranty, call a Peavey customer service representative at (601) 483-5376.

| DANGER  |                                |
|---|--------------------------------|
| EXPOSURE TO EXTREMELY HIGH NOISE LEVELS MAY CAUSE A PERMANENT HEARING LOSS. INDIVIDUALS VARY CONSIDERABLY IN SUSCEPTIBILITY TO NOISE INDUCED HEARING LOSS, BUT NEARLY EVERYONE WILL LOSE SOME HEARING IF EXPOSED TO SUFFICIENTLY INTENSE NOISE FOR A SUFFICIENT TIME. |                                |
| THE U.S. GOVERNMENT'S OCCUPATIONAL SAFETY AND HEALTH ADMINISTRATION (OSHA) HAS SPECIFIED THE FOLLOWING PERMISSIBLE NOISE LEVEL EXPOSURES:   |                                |
| DURATION PER DAY IN HOURS   | SOUND LEVEL dBA, SLOW RESPONSE |
| 8   | 90                             |
| 6   | 92                             |
| 4   | 95                             |
| 3   | 97                             |
| 2   | 100                            |
| 1 1/2   | 102                            |
| 1   | 105                            |
| 3/4   | 110                            |
| 1/2 or less   | 115                            |

ACCORDING TO OSHA, ANY EXPOSURE IN EXCESS OF THE ABOVE PERMISSIBLE LIMITS COULD RESULT IN SOME HEARING LOSS.

EAR PLUGS OR PROTECTORS IN THE EAR (CANALS) OR OVER THE EARS MUST BE WORN WHEN OPERATING THIS AMPLIFICATION SYSTEM IN ORDER TO PREVENT A PERMANENT HEARING LOSS IF EXPOSURES IN EXCESS OF THE LIMITS AS SET FORTH ABOVE. TO INSURE AGAINST POTENTIALLY DANGEROUS EXPOSURE TO HIGH SOUND PRESSURE LEVELS, IT IS RECOMMENDED THAT ALL PERSONS EXPOSED TO EQUIPMENT CAPABLE OF PRODUCING HIGH SOUND PRESSURE LEVELS SUCH AS THIS AMPLIFICATION SYSTEM BE PROTECTED BY HEARING PROTECTORS WHILE THE UNIT IS IN OPERATION.

**CAUTION**

THIS AMPLIFIER HAS BEEN DESIGNED AND CONSTRUCTED TO PROVIDE ADEQUATE POWER RESERVE FOR PLAYING MODERN MUSIC WHICH MAY REQUIRE OCCASIONAL PEAK POWER TO HANDLE OCCASIONAL PEAK POWER. ADEQUATE POWER "HEADROOM" HAS BEEN DESIGNED INTO THIS SYSTEM. EXTENDED OPERATION AT ABSOLUTE MAXIMUM POWER LEVELS IS NOT RECOMMENDED SINCE THIS COULD DAMAGE THE ASSOCIATED LOUDSPEAKER SYSTEM. PLEASE BE AWARE THAT MAXIMUM POWER CAN BE OBTAINED WITH VERY LOW SETTINGS OF THE GAIN CONTROLS IF THE INPUT SIGNAL IS VERY STRONG.

1. Read all safety and operating instructions before using this product.
2. All safety and operating instructions should be retained for future reference.
3. Obey all cautions in the operating instructions and on the back of the unit.
4. All operating instructions should be followed.
5. This product should not be used near water, i.e. a bathtub, sink, swimming pool, wet basement, etc.
6. This product should be located so that its position does not interfere with its proper ventilation. It should not be placed flat against a wall or placed in a built-in enclosure that will impede the flow of cooling air.
7. This product should not be placed near a source of heat such as a stove, radiator or another heat producing amplifier.
8. Connect only to a power supply of the type marked on the unit adjacent to the power supply cord.
9. Never break off the ground pin on the power supply cord. For more information on grounding write for our free booklet "Shock Hazard and Grounding."
10. Power supply cords should always be handled carefully. Never walk or place equipment on power supply cords. Periodically check cords for cuts or signs of stress, especially at the plug and the point where the cord exits the unit.
11. The power supply cord should be unplugged when the unit is to be unused for long periods of time.
12. If this product is to be mounted in an equipment rack, rear support should be provided.
13. Metal parts can be cleaned with a damp rag. The vinyl covering used on some units can be cleaned with a damp rag or any ammonia based household cleaner, if necessary.
14. Care should be taken so that objects do not fall and liquids are not spilled into the unit through the ventilation holes or any other openings.
15. This unit should be checked by a qualified service technician if:  
A. The power supply cord or plug has been damaged.  
B. Anything has fallen or been spilled into the unit.  
C. The unit does not operate correctly.  
D. The unit has been dropped or the enclosure damaged.
16. The user should not attempt to service this equipment. All service work should be done by a qualified service technician.

**PEAVEY**®  
ARCHITECTURAL ACOUSTICS®

Features and specifications subject to change without notice.

A Division of Peavey Electronics Corporation

711 A Street, P. O. Box 2898, Meridian, MS 39302-2898 / (601) 483-5376 / Telex 504115 / Fax (601) 484-4278

#80300230

Printed in U.S.A. 10/91

## Free Manuals Download Website

<http://myh66.com>

<http://usermanuals.us>

<http://www.somanuals.com>

<http://www.4manuals.cc>

<http://www.manual-lib.com>

<http://www.404manual.com>

<http://www.luxmanual.com>

<http://aubethermostatmanual.com>

Golf course search by state

<http://golfingnear.com>

Email search by domain

<http://emailbydomain.com>

Auto manuals search

<http://auto.somanuals.com>

TV manuals search

<http://tv.somanuals.com>