

# Installation and Assembly - Plasma Adapter Bracket for 27" RCA® LCD X2722W Flat Panel Screen

Models: LCFL RCA27,  
LCWL RCA27

**IMPORTANT!** Read instruction sheet before you start installation and assembly.

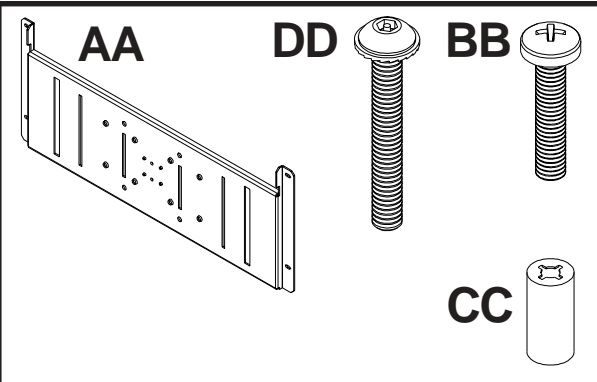
Before you start make sure all parts listed are included with your product.



This product is UL Listed. It must be installed by a qualified professional installer.

Parts List	
Description	Qty. Part #
<b>AA</b> adapter bracket	1 200-4624
<b>BB</b> M4 x 20 mm phillips screw	4 504-2014
<b>CC</b> retaining spacer	4 590-2017
<b>DD</b> M4 x 20 mm serrated washer head socket pin screw	4 510-2163

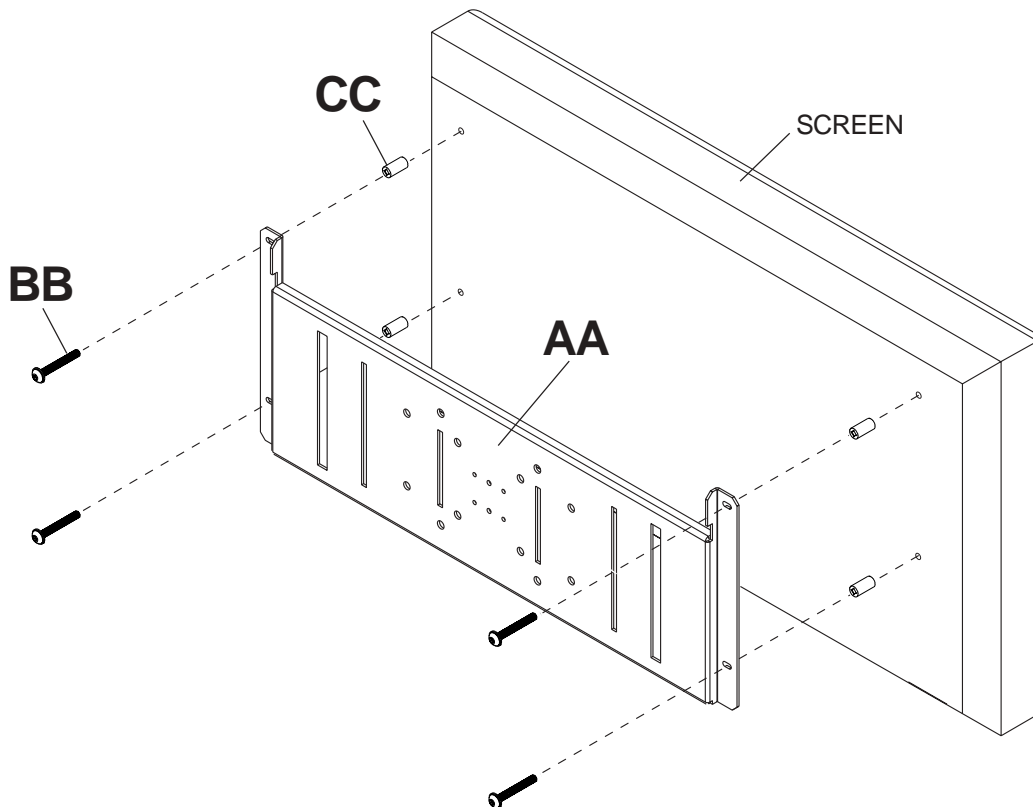
*Some parts may appear slightly different than illustrated.*



- 1 Attach adapter bracket (**AA**) to back of plasma screen using four M4 x 20 mm phillips screws (**BB**) and four retaining spacers (**CC**) as shown. For security option, use M4 x 20 mm serrated washer head socket pin screws (**DD**) in place of phillips screws (**BB**). Tighten socket head screws using 4 mm security allen wrench provided with mount.

## ⚠ WARNING

- Do not overtighten. Overtightening may cause permanent damage to the screen. Torque to 26-35 in • lb (30-40 kg • cm).



## Free Manuals Download Website

<http://myh66.com>

<http://usermanuals.us>

<http://www.somanuals.com>

<http://www.4manuals.cc>

<http://www.manual-lib.com>

<http://www.404manual.com>

<http://www.luxmanual.com>

<http://aubethermostatmanual.com>

Golf course search by state

<http://golfingnear.com>

Email search by domain

<http://emailbydomain.com>

Auto manuals search

<http://auto.somanuals.com>

TV manuals search

<http://tv.somanuals.com>