

Installation and Assembly - Projector Adapter Plate for Mitsubishi™ model Mitsubishi XL1U Projector

Models: PAP 113, PAP 113-S, PAP 113-W

IMPORTANT! Read entire instruction sheet before you start installation and assembly.

Before you start check the parts list below to make sure all of the parts shown are included.

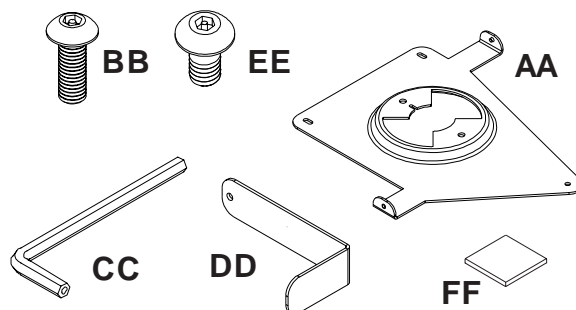
⚠ WARNING

- Installer must verify that the ceiling will safely support four times the combined weight of all attached equipment and hardware.

Parts List

Description	Qty.	PAP 113	PAP 113-S	PAP 113-W
AA adapter plate	1	055-1186	055-4186	055-2186
BB M4 x .7 x 12 mm socket pin screw	3	520-1079	510-2079	510-2079
CC 4 mm security wrench (for PAP only)	1	560-9646	560-9646	560-9646
DD L bracket	2	055-1212	055-4212	055-2212
EE M4 x .7 x 6 mm socket pin screw	2	520-1059	520-2059	520-2059
FF adhesive foam pad	2	570-0008	570-0008	570-0008

Note: Actual parts may appear slightly different than illustrated.

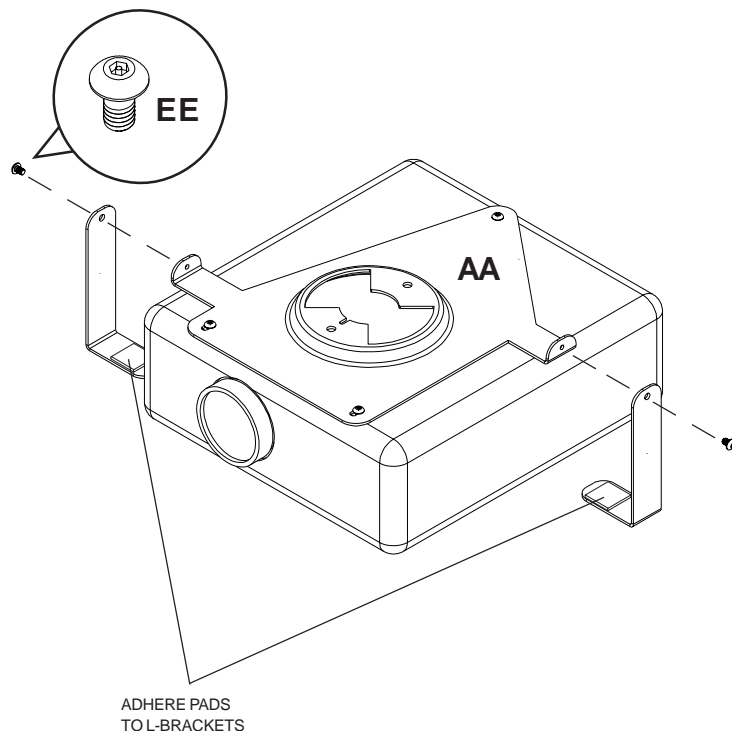
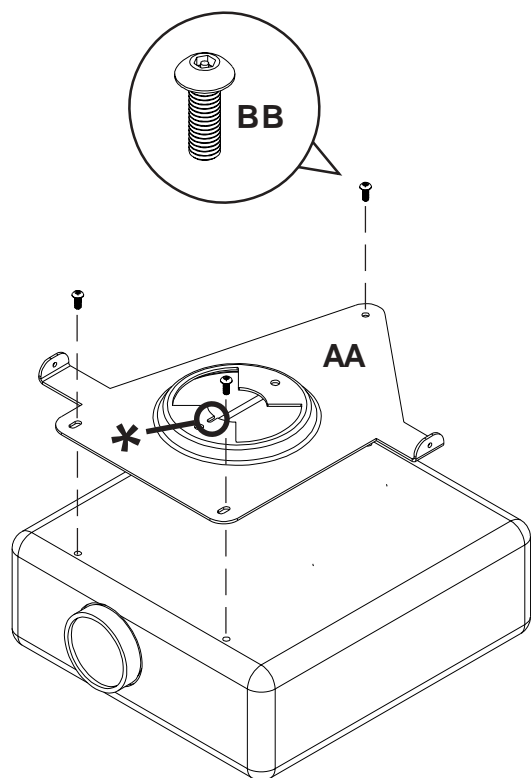


1

*Notch indicates front of projector.
Turn projector upside down. Attach adapter plate (AA) to projector using three screws (BB).

2

Adhere foam pads (FF) to L-brackets (DD). Secure projector by attaching two L-brackets to adapter plate (AA) using two screws (EE). Tighten all screws using 4 mm security allen wrench (CC).



Free Manuals Download Website

<http://myh66.com>

<http://usermanuals.us>

<http://www.somanuals.com>

<http://www.4manuals.cc>

<http://www.manual-lib.com>

<http://www.404manual.com>

<http://www.luxmanual.com>

<http://aubethermostatmanual.com>

Golf course search by state

<http://golfingnear.com>

Email search by domain

<http://emailbydomain.com>

Auto manuals search

<http://auto.somanuals.com>

TV manuals search

<http://tv.somanuals.com>