

# TECHNICAL DATA SHEET - PRS Series Projector Mount for InFocus™ LP-820 Projector



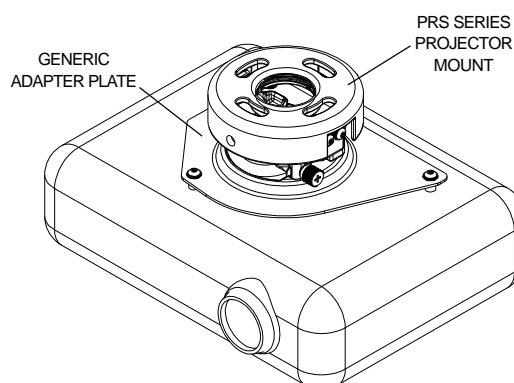
MODELS: PRS 274, PRS 274-S, PRS 274-W



The **PRS Series Projector Mount** is the most low profile mount available today and offers the easiest installation. It ships completely pre-assembled and offers unmatched versatility. It can be mounted to any common ceiling structure and is offered in multiple colors to complement any setting. It was specifically designed to save time and money when mounting projectors.

### Features:

- +5°/-20° Pitch, +/-10° Roll, 360° Yaw (when attached to an extension column), +/-15° Yaw (when flush mounted), which enables the image to be perfectly aligned with the screen
- Mount completely pre-assembled to save you time
- Independent roll, pitch, and yaw adjustments provide easy image alignment
- Can be mounted directly to a single wood beam or concrete slab without disassembling the mount and without reinforcing the ceiling
- Can attach to 1 1/2" extension column, 3/4" extension column, or 3/8" threaded rod
- Armor Lock™ security screws pre-installed for a secure installation in minutes
- Quickly release the projector for maintenance with the simple turn of a knob
- Built in cord management access hole provides complete access to route cords through extension column to keep cords hidden
- 4 adjustment points allow a quick, simple installation
- Final security lock down is optional to use
- Easily and quickly attaches to projector-specific adapter plate
- Offered in black, white, and silver to complement any setting
- Low profile allows the projector to be close to the ceiling
- Offers the fastest installation to reduce installation time and costs



### Accessories:

- Ceiling Plates (various models available)
- Cord Wrap (ACC 852, ACC 852S, ACC 852W)
- Fixed and Adjustable length Extension Columns, 1 1/2" NPT ("EXT" or "ADJ" models)
- Fixed length Extension Columns, 3/4" NPT ("FLP" models)
- Armor Lock Plus™ security cable with Lock (ACC 020)
- Armor Lock Plus security cable (ACC 021)
- Side to Side Adjuster (ACC 830)

### Dimensions:

For product dimensions, see page 2.

## ARCHITECTS SPECIFICATIONS

The **PRS Series Projector Mount** shall be a Peerless model \_\_\_\_\_ and shall be located where indicated on the plans. It shall feature 25°(+5°/-20°) pitch, 20°(±10°) roll, 360° yaw (when attached to an extension column), and +/-15° yaw (when flush mounted). It shall have a 25 lb load capacity. It shall have a quick release spring loaded screw for easy removal and installation of the projector. It shall be constructed of aluminum alloy finished in black, white, or silver. Assembly and installation shall be done according to instructions provided by the manufacturer.

### Peerless Industries, Inc.

3215 W. North Ave. Melrose Park, IL 60160  
708-865-8870 800-865-2112 Fax 708-865-2941

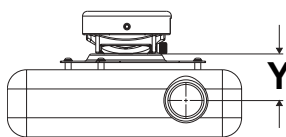
[www.peerlessmounts.com](http://www.peerlessmounts.com)

ISSUED: 02-27-06 SHEET NO: 056-9579-1

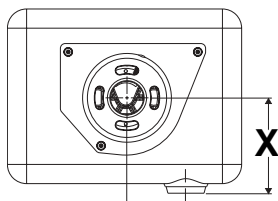
©2005 Peerless Industries, Inc. All rights reserved.  
Peerless is a registered trademark and Armor Lock and Armor Lock Plus are trademarks of Peerless Industries, Inc.  
All other brand and product names are trademarks or registered trademarks of their respective owners.

TECHNICAL DATA SHEET

**MODELS: PRS 274, PRS 274-S, PRS 274-W**



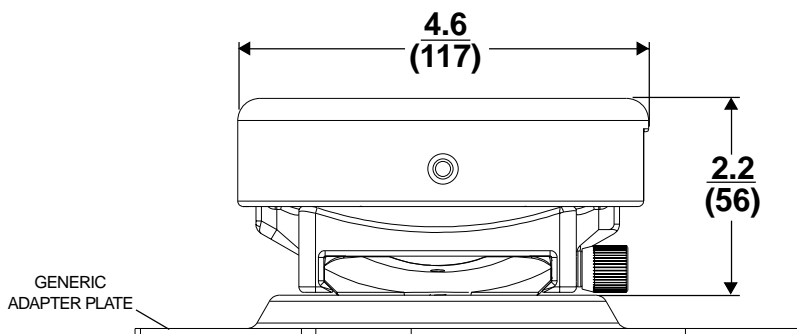
**TOP VIEW**



**FRONT VIEW**

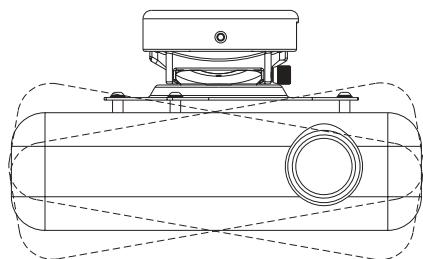
MODEL #	CARTON DIMENSIONS	SHIPPING WEIGHT	PRODUCT WEIGHT	DIMENSIONS			MAX LOAD CAPACITY
				X	Y	Z	
PAP 274 PAP 274-S PAP 274-W	10.00 x 9.25 x 1.00 (254 x 235 x 25)	1.3 (0.6)	1.1 (0.5)	7.13 (181)	2.48 (63)	3.25 (83)	25 (11.3)
PRS 274 PRS 274-S PRS 274-W	12.25 x 9.63 x 4.00 (311 x 244 x 102)	3.2 (1.5)	2.3 (1.0)	7.13 (181)	2.48 (63)	3.25 (83)	25 (11.3)

All dimensions shown above as in / (mm). All weights shown as lb / (kg).  
*Note: Y is the dimension from the top of the adapter plate to the center of the lens on the projector.*

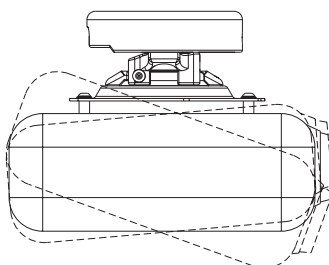


**FRONT VIEW**

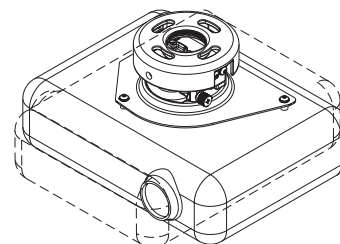
ROLL ±10°



PITCH +5°/-20°



YAW 360°  
(when attached to an extension column),  
+/- 15° (when flush mounted)



## Free Manuals Download Website

<http://myh66.com>

<http://usermanuals.us>

<http://www.somanuals.com>

<http://www.4manuals.cc>

<http://www.manual-lib.com>

<http://www.404manual.com>

<http://www.luxmanual.com>

<http://aubethermostatmanual.com>

Golf course search by state

<http://golfingnear.com>

Email search by domain

<http://emailbydomain.com>

Auto manuals search

<http://auto.somanuals.com>

TV manuals search

<http://tv.somanuals.com>