

TECHNICAL DATA SHEET - PRS Series Clamp-Style Universal Projector Mount



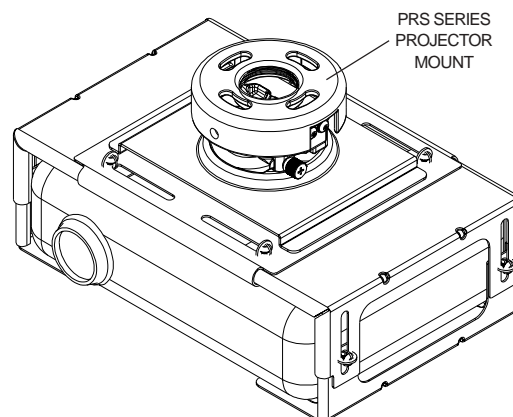
MODELS: PRS 35, PRS 35-S, PRS 35-W, PRS 40, PRS 40-S,
PRS 40-W, PRS 45, PRS 45-S, PRS 45-W



The **PRS Series Clamp-Style Universal Projector Mount** is the most low profile universal mount available today. It offers a quick and easy installation in addition to unmatched versatility. The mount ships pre-assembled, can be attached to any common ceiling structure, and is offered in multiple colors to complement any setting.

Features:

- +5°/-20° Pitch, +/-10° Roll, 360° Yaw (when attached to an extension column), +/-15° Yaw (when flush mounted), which enables the image to be perfectly aligned with the screen
 - Mount completely pre-assembled to save you time
 - Independent roll, pitch, and yaw adjustments provide easy image alignment
 - Can be mounted directly to a single wood beam or concrete slab without disassembling the mount and without reinforcing the ceiling
 - Can attach to 1 1/2" extension column, 3/4" extension column, or 3/8" threaded rod
 - Armor Lock™ security screws pre-installed for a secure installation in minutes
 - Quickly release the projector for maintenance with the simple turn of a knob
 - Built in cord management access hole provides complete access to route cords through extension column to keep cords hidden
 - 4 adjustment points allow a quick, simple installation
 - Final security lock down is optional to use
 - Easily and quickly attaches to clamp-style universal adapter plate
 - Universal clamp designed to hold projectors either inverted or upright
 - Ideal for projectors that do not have mounting holes or cannot be inverted
 - Large side openings in clamp provide access to projector ports*
 - Offered in black, white, and silver to complement any setting
 - Low profile allows the projector to be close to the ceiling
 - Offers the fastest installation to reduce installation time and costs
- * It is the responsibility of the installer to check the vents and ports on the projector to ensure that they are not obstructed by the universal mount. Blocked vents may cause damage to the projector.



Accessories:

- Ceiling Plates (various models available)
- Cord Wrap (ACC 852, 852S, 852W)
- Fixed and Adjustable length Extension Columns, 1 1/2" NPT ("EXT" or "ADJ" models)
- Fixed length Extension Columns, 3/4" NPT ("FLP" models)
- Armor Lock Plus™ security cable with Lock (ACC 020)
- Armor Lock Plus security cable (ACC 021)
- Side to Side Adjuster (ACC 830)

Dimensions:

For product dimensions, see page 2.

ARCHITECTS SPECIFICATIONS

The PRS Series Clamp-Style Universal Projector Mount shall be a Peerless model _____ and shall be located where indicated on the plans. It shall feature 25°(+5°/-20°) pitch, 20°(±10°) roll, 360° yaw (when attached to an extension column), and +/-15° yaw (when flush mounted). It shall have a 25 lb load capacity. It shall have a quick release spring loaded screw for easy removal and installation of the projector. It shall be constructed of aluminum alloy finished in black, white, or silver. Assembly and installation shall be done according to instructions provided by the manufacturer.

Peerless Industries, Inc.

3215 W. North Ave. Melrose Park, IL 60160
708-865-8870 800-865-2112 Fax 708-865-2941

www.peerlessindustries.com

ISSUED: 1-26-04 SHEET NO: 055-9819-1

©2004 Peerless Industries, Inc. All rights reserved.
Peerless is a registered trademark and Armor Lock and Armor Lock Plus are trademarks of Peerless Industries, Inc.
All other brand and product names are trademarks or registered trademarks of their respective owners.

TECHNICAL DATA SHEET

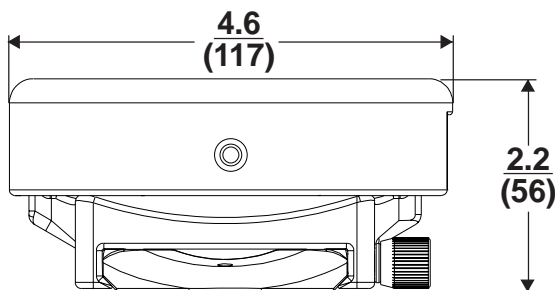
MODELS: PRS 35, PRS 35-S, PRS 35-W, PRS 40, PRS 40-S, PRS 40-W, PRS 45, PRS 45-S, PRS 45-W

All dimensions shown as: $\frac{\text{inch}}{\text{(mm)}} \quad \frac{\text{lb}}{\text{(kg)}}$

Maximum Load Capacity:

25 lb (11.3 kg)

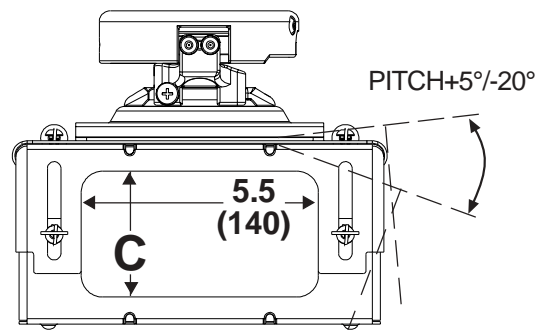
MODEL #	WEIGHT	SHIP WEIGHT	SHIPPING CARTON DIMENSIONS
PRS 35, PRS 35-S PRS 35-W	$\frac{5.5}{(2.5)}$	$\frac{8}{(3.6)}$	12.25 x 9.625 x 4 (311 x 244 x 102)
PRS 40, PRS 40-S PRS 40-W	$\frac{7.1}{(3.2)}$	$\frac{9}{(4.1)}$	12.25 x 9.625 x 4 (311 x 244 x 102)
PRS 45, PRS 45-S PRS 45-W	$\frac{8.5}{(3.9)}$	$\frac{10}{(4.5)}$	14.875 x 7.625 x 7.75 (378 x 194 x 197)



OUTSIDE DIMENSIONS				
MODEL #	MIN. WIDTH (A)	MAX. WIDTH (A)	MIN. HEIGHT (B)	MAX. HEIGHT (B)
PRS 35, PRS 35-S PRS 35-W	$\frac{8.5}{(216)}$	$\frac{12.75}{(324)}$	$\frac{2.5}{(64)}$	$\frac{4.75}{(121)}$
PRS 40, PRS 40-S PRS 40-W	$\frac{9.5}{(241)}$	$\frac{16}{(406)}$	$\frac{3.75}{(95)}$	$\frac{6.5}{(165)}$
PRS 45, PRS 45-S PRS 45-W	$\frac{11.75}{(299)}$	$\frac{20}{(508)}$	$\frac{5.25}{(133)}$	$\frac{11}{(279)}$

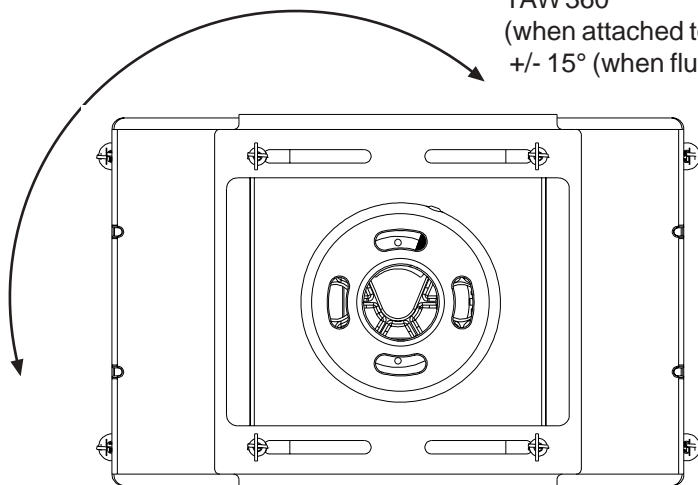
MODEL #	MIN / MAX C
PRS 35, PRS 35-S PRS 35-W	$\frac{1.4}{(36)} / \frac{3.3}{(84)}$
PRS 40, PRS 40-S PRS 40-W	$\frac{1.3}{(33)} / \frac{3.8}{(97)}$
PRS 45, PRS 45-S PRS 45-W	$\frac{3.5}{(90)} / \frac{8.2}{(208)}$

INSIDE DIMENSIONS				
MODEL #	MIN. WIDTH (W)	MAX. WIDTH (W)	MIN. HEIGHT (H)	MAX. HEIGHT (H)
PRS 35, PRS 35-S PRS 35-W	$\frac{7.5}{(191)}$	$\frac{11.5}{(292)}$	$\frac{2}{(51)}$	$\frac{3.75}{(95)}$
PRS 40, PRS 40-S PRS 40-W	$\frac{8.5}{(216)}$	$\frac{14.75}{(375)}$	$\frac{3.25}{(83)}$	$\frac{5.5}{(140)}$
PRS 45, PRS 45-S PRS 45-W	$\frac{10.75}{(273)}$	$\frac{18.75}{(476)}$	$\frac{5.5}{(140)}$	$\frac{10}{(254)}$

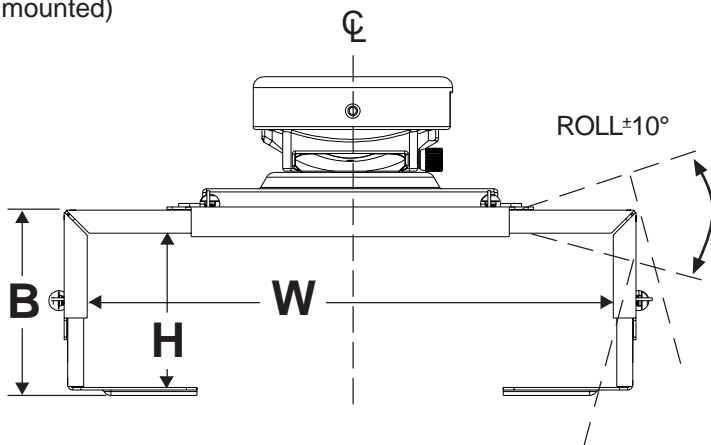


SIDE VIEW

YAW 360°
(when attached to an extension column),
+/- 15° (when flush mounted)



TOP VIEW



FRONT VIEW

Peerless Industries, Inc.
3215 W. North Ave. Melrose Park, IL 60160
708-865-8870 800-865-2112 Fax 708-865-2941
www.peerlessindustries.com

ISSUED: 1-26-04 SHEET NO: 055-9819-1

©2004 Peerless Industries, Inc. All rights reserved.
Peerless is a registered trademark and Armor Lock and Armor Lock Plus are trademarks of Peerless Industries, Inc.
All other brand and product names are trademarks or registered trademarks of their respective owners.

Free Manuals Download Website

<http://myh66.com>

<http://usermanuals.us>

<http://www.somanuals.com>

<http://www.4manuals.cc>

<http://www.manual-lib.com>

<http://www.404manual.com>

<http://www.luxmanual.com>

<http://aubethermostatmanual.com>

Golf course search by state

<http://golfingnear.com>

Email search by domain

<http://emailbydomain.com>

Auto manuals search

<http://auto.somanuals.com>

TV manuals search

<http://tv.somanuals.com>