

PRS-KIT0811  
PRS-KIT1420  
PRS-KIT2026

# PRS Series Adjustable Extension Projector Mount Kit

For Multimedia Projectors up to 25 lb (11 kg)

The PRS Series Projector Mount adjustable height ceiling kits provide an all in one solution for quick and easy installations where variable drop length is needed. The kitted ceiling mount is available in three adjustable sizes to accommodate various desired drop lengths. It can be mounted to any common ceiling structure, and can be flush mounted where a low-profile application is needed. The PRS adjustable height kits are specifically designed to save time and money when mounting projectors.



Max load: 25 lb (11 kg)

## FEATURES

- Comes in three adjustable height ranges (in 1" increments):  
PRS-KIT0811:  
8"-11" (203-297 mm)  
PRS-KIT1420:  
14"-20" (356-508 mm)  
PRS-KIT2026:  
20"-26" (508-660 mm)
- Pre-assembled design reduces installation time
- Cable management allows cables to be routed through projector mount out of sight
- Quick-release mechanism to easily service projector
- Ceiling plate is included in the box for an all in one mounting solution
- Includes PRS Series Projector Mount for quick and precise image alignment
- Specifications:  
Tilt: +5°/-20°  
Roll: ±10°  
Swivel: 360°

■ **ACHIEVE PRECISE HEIGHT RANGE**  
Comes in three adjustable height ranges in 1" increments

■ **IMAGE ALIGNMENT MADE EASY**  
Includes PRS Series Projector Mount that features four independent adjustment points allowing for quick and precise image alignment

■ **UNIVERSAL COMPATIBILITY**  
Includes the Spider® Universal Adapter Plate which extends up to 17.63" (448 mm) to fit most projector models

■ **EFFORTLESS PROJECTOR MAINTENANCE**  
With its intuitively designed quick-release thumbscrew that smoothly unwinds to enable easy-glide removal of the projector in and out of the mount. No tools required.



CLICK: [www.peerlessmounts.com](http://www.peerlessmounts.com) CALL: 800.865.2112 FAX: 708.865.2941

peerless®

# Model Numbers

**WARRANTY: Limited 5-year**

<b>PRS-KIT0811</b>	PRS Series Adjustable Extension Kit 8"-11" (203-297 mm)
<b>PRS-KIT1420</b>	PRS Series Adjustable Extension Kit 14"-20" (356-508 mm)
<b>PRS-KIT2026</b>	PRS Series Adjustable Extension Kit 20"-26" (508-660 mm)

# Product Specifications

	DIMENSIONS (W x H x D) with adapter plate	PRODUCT WEIGHT	LOAD CAPACITY	FINISH	AVAILABLE COLORS
<b>PRS-KIT0811</b>	8.5-17.63" x 9.66"-12.66" x 8.41-13.34" (216-448 x 245-320 x 216-448 mm)	6.18 lb (2.8 kg)	25 lb (11 kg)	Scratch resistant fused epoxy	Black
<b>PRS-KIT1420</b>	8.5-17.63" x 15.66"-21.66" x 8.5-17.63" (216-448 x 398-550 x 216-448 mm)	8.18 lb (3.71 kg)			
<b>PRS-KIT2026</b>	8.5-17.63" x 21.66"-27.66" x 8.5-17.63" (216-448 x 550-703 x 216-448 mm)	10.18 lb (4.62 kg)			

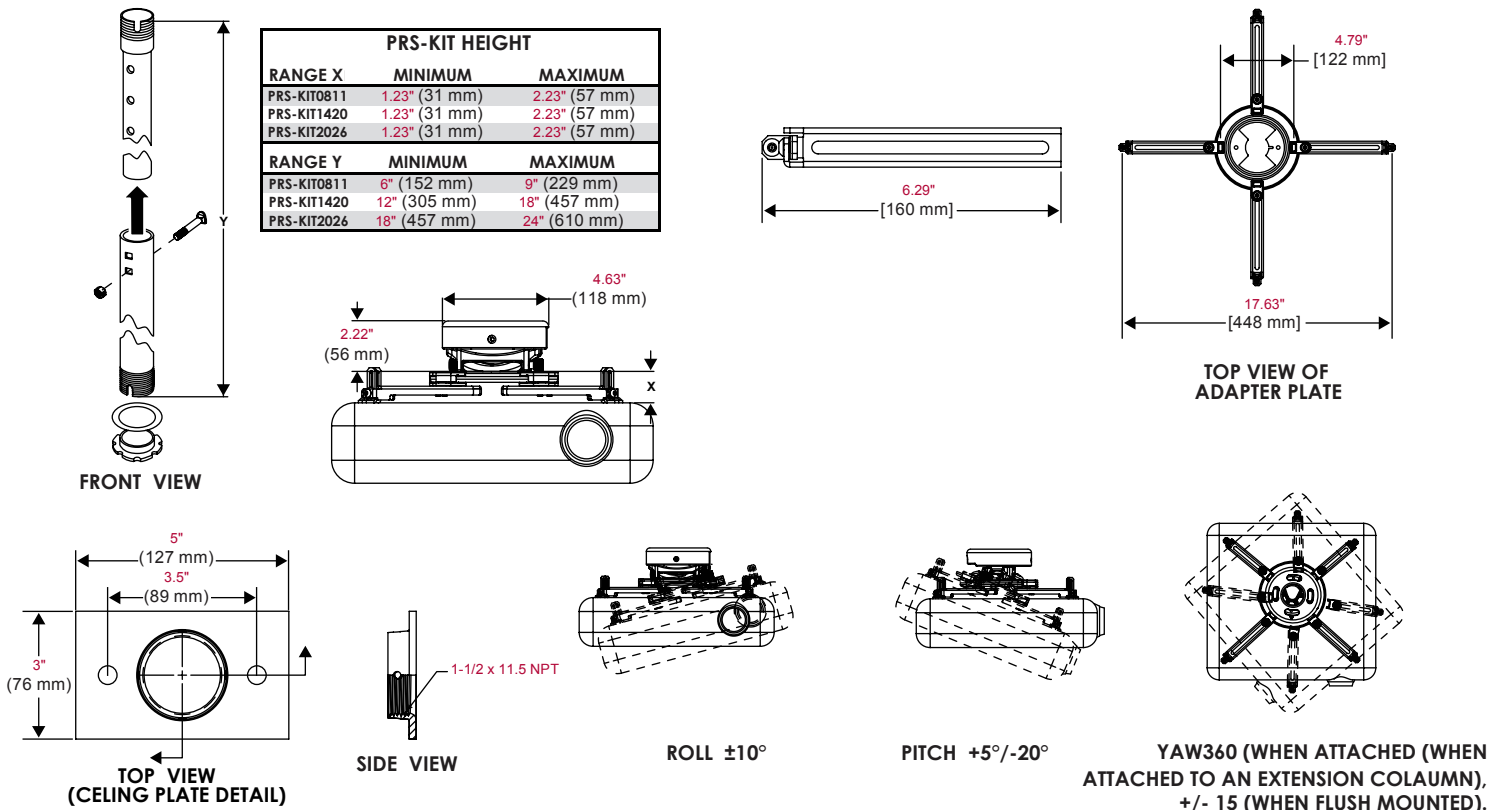
# Package Specifications

	PACKAGE SIZE (W x H x D)	PACKAGE SHIP WEIGHT	PACKAGE UPC CODE	PACKAGE CONTENTS	UNITS IN PACKAGE
<b>PRS-KIT0811</b>	12.25" x 9.625" x 4" (311 x 244 x 1016 mm)	7.18 lb (3.26 kg)	735029238140	Ceiling plate, adjustable extension columns, PRS Series Projector Mount, Spider® Universal Adapter Plate, mounting and projector attachment hardware, assembly instructions	1
<b>PRS-KIT1420</b>	14.5" x 6.5" x 4" (368 x 165 x 101 mm)	9.18 lb (4.16 kg)	735029238157		
<b>PRS-KIT2026</b>	14.5" x 6.5" x 4" (368 x 165 x 101 mm)	11.18 lb (5.07 kg)	735029238164		

# Accessories

<b>CMJ Models, ACC570, ACC571, ACC912:</b>	Ceiling Kits	<b>ACC800/850 &amp; ACC852/856:</b>	Cable Management Adapter
<b>ACC840/845:</b>	Anti-Vibration Mount	<b>ACC830:</b>	Side-to-Side Adjuster

All dimensions = inch (mm)



# ARCHITECTS SPECIFICATIONS

Assembled Universal Projector Ceiling Mount shall be a Peerless model PRS-KIT0811; PRS-KIT1420; PRS-KIT2026 and shall be located where indicated on the plans. It shall feature 25°(+5°/-20°) pitch, 20°(+10°) roll, 360° yaw. It shall have a 25 lb load capacity. It shall have a quick release spring loaded screw for easy removal and installation of the projector. It shall be constructed of aluminum alloy finished in black. Assembly and installation shall be done according to instructions provided by the manufacturer. Installation shall be done according to instructions provided by the manufacturer.

## Free Manuals Download Website

<http://myh66.com>

<http://usermanuals.us>

<http://www.somanuals.com>

<http://www.4manuals.cc>

<http://www.manual-lib.com>

<http://www.404manual.com>

<http://www.luxmanual.com>

<http://aubethermostatmanual.com>

Golf course search by state

<http://golfingnear.com>

Email search by domain

<http://emailbydomain.com>

Auto manuals search

<http://auto.somanuals.com>

TV manuals search

<http://tv.somanuals.com>