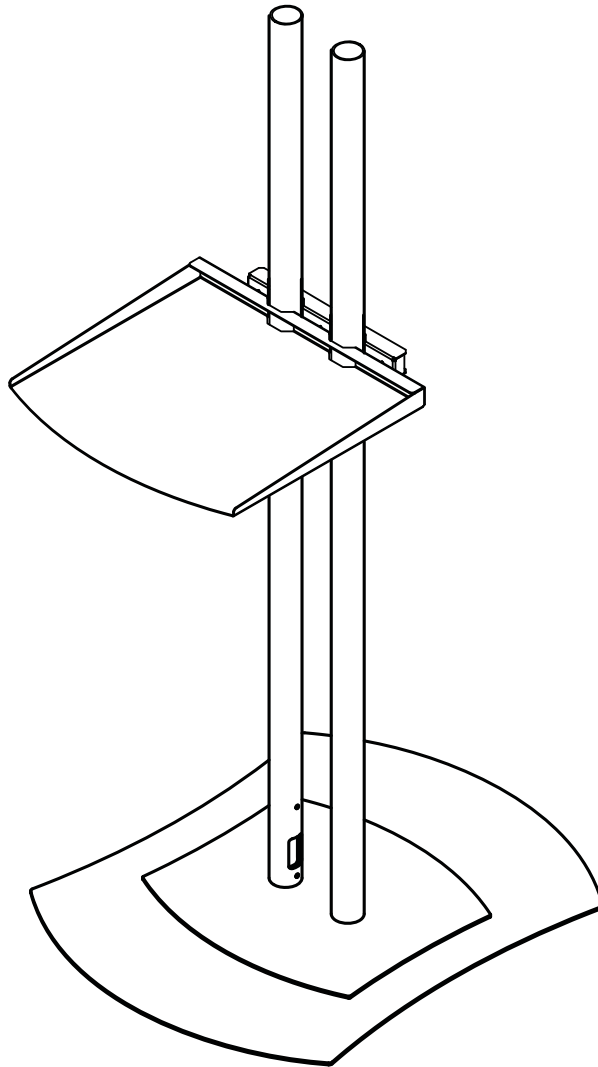


Installation and Assembly: AV COMPONENT SHELF

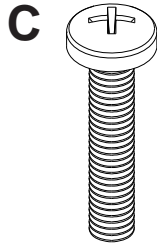
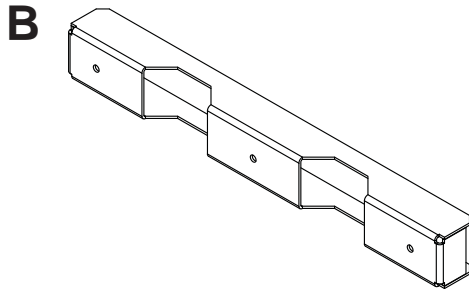
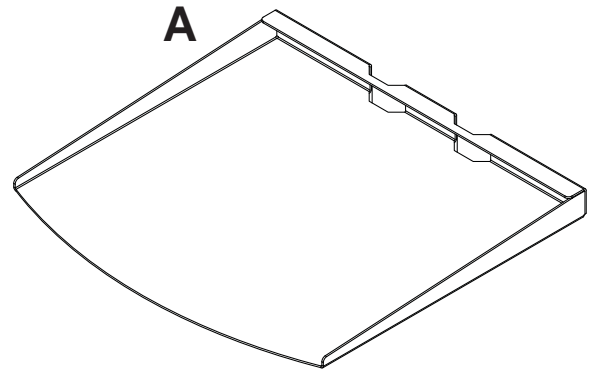
Model: ACC325



Max Load Capacity: 25 lb (11.3 kg)

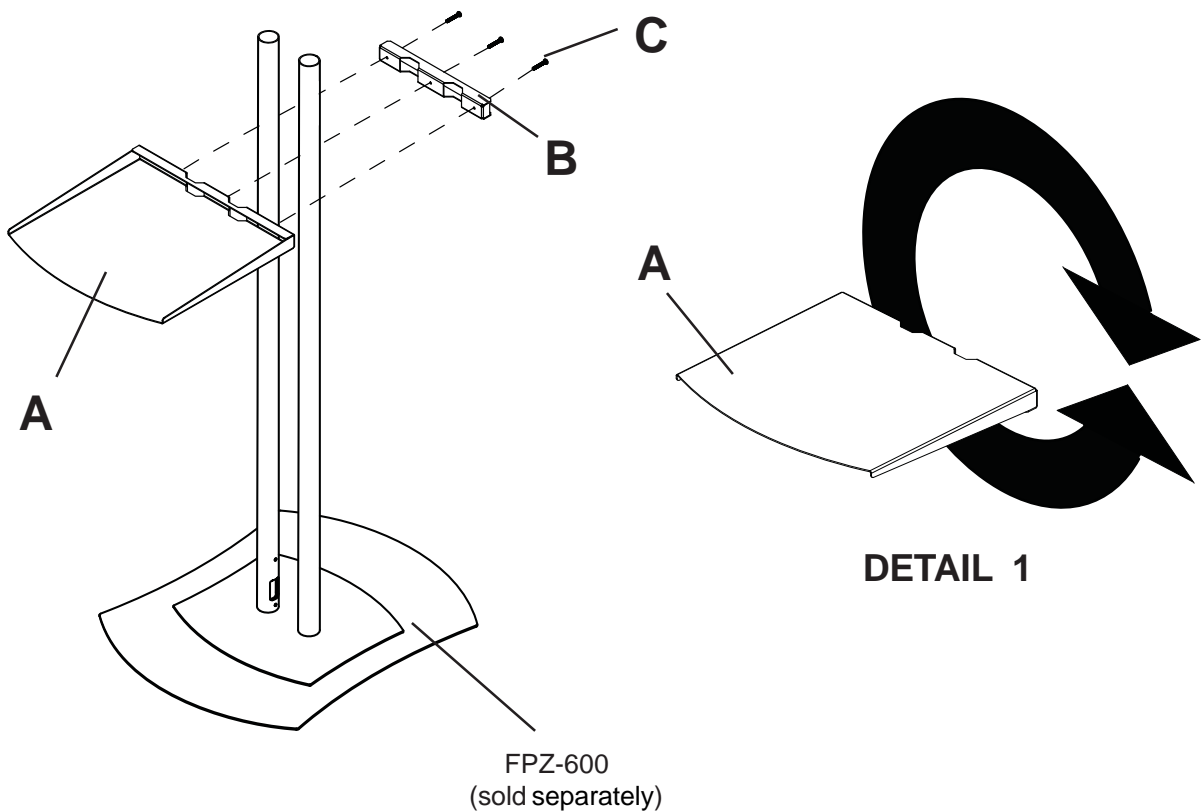
Parts List

Description	Qty.	Part #
A shelf	1	104-1069
B shelf bracket	1	104-1070
C M5 x 30 mm phillips screw	3	520-1042



- Note:** Installation requires an assistant.
Secure shelf (A) to FPZ-600 stand (sold separately) using shelf bracket (B) and three M5 x 30 mm phillips screws (C) at desired position.

Note: Shelf (A) can be flipped over and attached to stand in reverse orientation if desired as shown in detail 1.



Free Manuals Download Website

<http://myh66.com>

<http://usermanuals.us>

<http://www.somanuals.com>

<http://www.4manuals.cc>

<http://www.manual-lib.com>

<http://www.404manual.com>

<http://www.luxmanual.com>

<http://aubethermostatmanual.com>

Golf course search by state

<http://golfingnear.com>

Email search by domain

<http://emailbydomain.com>

Auto manuals search

<http://auto.somanuals.com>

TV manuals search

<http://tv.somanuals.com>