

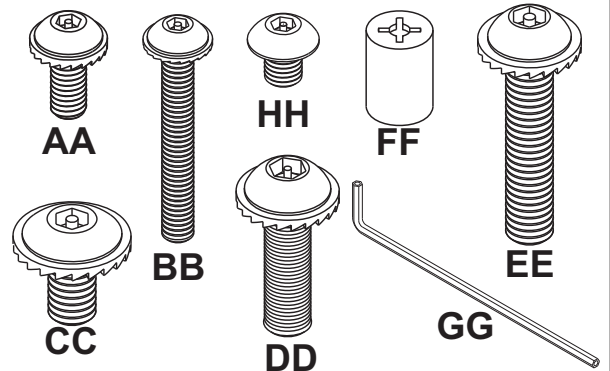
**Installation and Assembly - Security Fasteners for 10" - 25" LCD Displays with VESA® 75, VESA 100, VESA 200 x 100 and VESA 200 x 200 Mounting Patterns**

**Model: ACC919**

**IMPORTANT! Read entire instruction sheet before you start installation and assembly.**

**Parts List**

Description	Qty.	Part #
AA M4 x 10 mm serrated washer head socket pin screw	4	510-1060
BB M4 x 20 mm serrated washer head socket pin screw	4	510-1061
CC M6 x 12 mm serrated washer head socket pin screw	4	510-1050
DD M6 x 20 mm serrated washer head socket pin screw	4	510-9554
EE M6 x 30 mm serrated washer head socket pin screw	4	510-1067
FF .198" x .313" x .437" H retaining spacer	4	590-5005
GG 4 mm security allen wrench	1	560-9646
HH M5 X 6 mm socket pin screw	5	520-1114



**⚠ WARNING**

- If screws don't get three complete turns in the display inserts or if screws bottom out and bracket is still not tightly secured, damage may occur to display or product may fail.

**1-1** **NOTE:** For VESA 200mm and 200 x 100mm patterns, see following page.

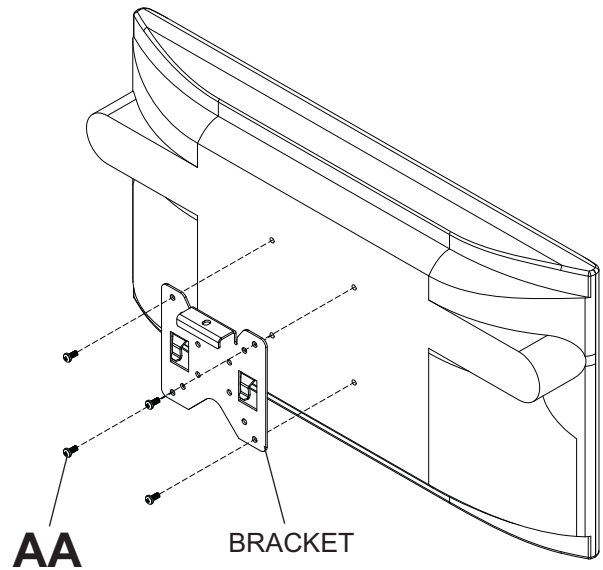
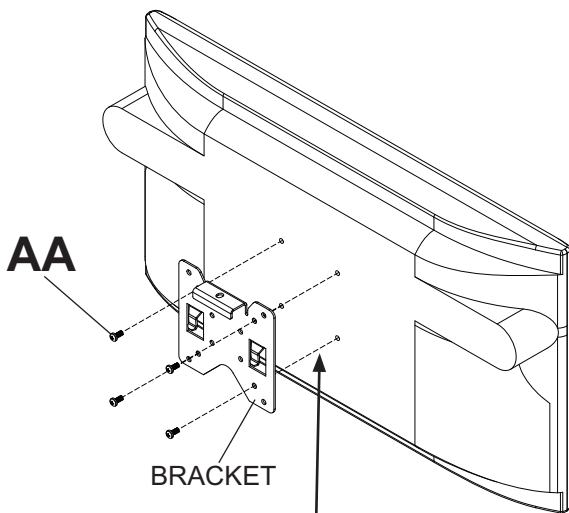
**FOR VESA® 75 MOUNTING PATTERN:**

Choose hole pattern as shown below. Attach hook bracket to back of display using four M4 x 10mm screws (**AA**) as shown below.

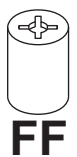
**\*NOTE:** If hole pattern is in a pocket, attach hook bracket to back of display using four M4 x 20mm screws (**BB**) and four retaining spacers (**FF**) as indicated below.

**1-2** **FOR VESA 100 MOUNTING PATTERN:**

Choose hole pattern as shown below. Attach hook bracket to back of display using four M4 x 10mm screws (**AA**) as shown below.

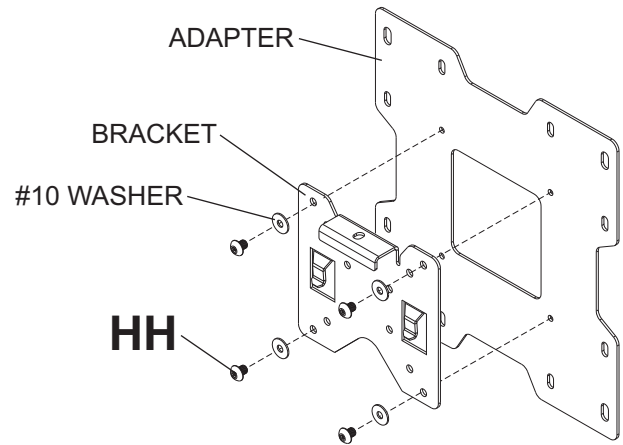


**\*For displays with a hole pattern in a pocket, spacers (FF) go between hook bracket and display.**



## Attaching Adapter Plate to Screen with VESA 200 x 100 or 200 x 200 Mounting Pattern

- 2** Attach hook bracket to adapter plate using four M5 x 6mm screws (HH) and #10 washers as shown.



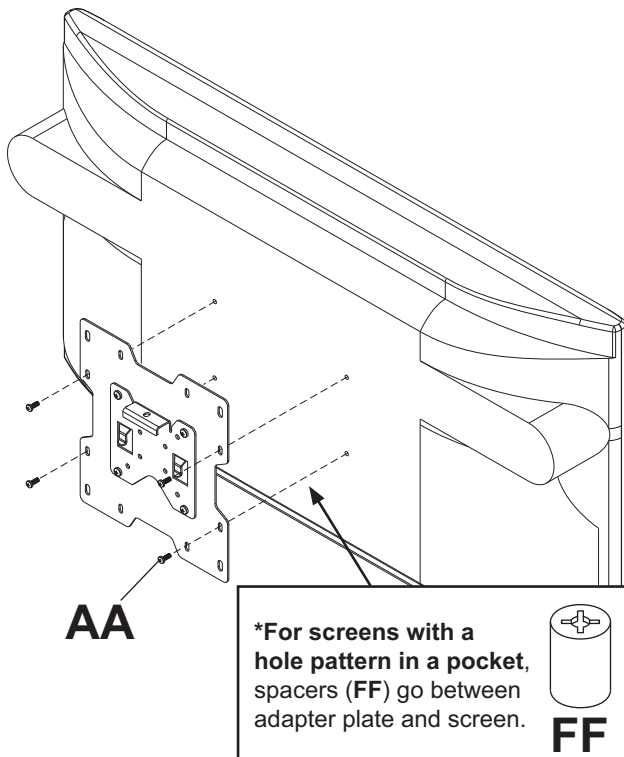
### ⚠ WARNING

- If screws don't get three complete turns in the screen inserts or if screws bottom out and adapter plate is still not tightly secured, damage may occur to screen or product may fail.

#### FOR VESA 200 x 100 MOUNTING PATTERN:

- 2-1** Choose hole pattern as shown below. Attach adapter plate to back of screen using four M4 x 10mm screws (AA) as shown below.

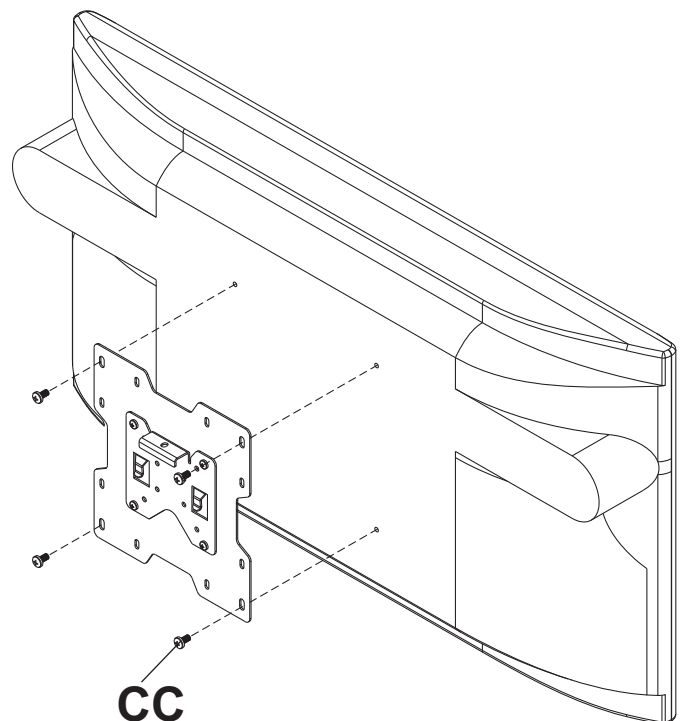
**\*NOTE:** If screw (AA) gets less than three threads of engagement, attach adapter plate to back of screen using four M4 x 20mm screws (BB) and four spacers (FF) as indicated below.



#### FOR VESA 200 x 200 MOUNTING PATTERN:

- 2-2** Choose hole pattern as shown below. Attach adapter plate to back of screen using four M6 x 12mm screws (CC) as shown below.

**\*NOTE:** If screw (CC) gets less than three threads of engagement, attach adapter plate to back of screen using four M6 x 20mm screws (DD). If screw (DD) still gets less than three threads of engagement, use four M6 x 30mm screws (EE).



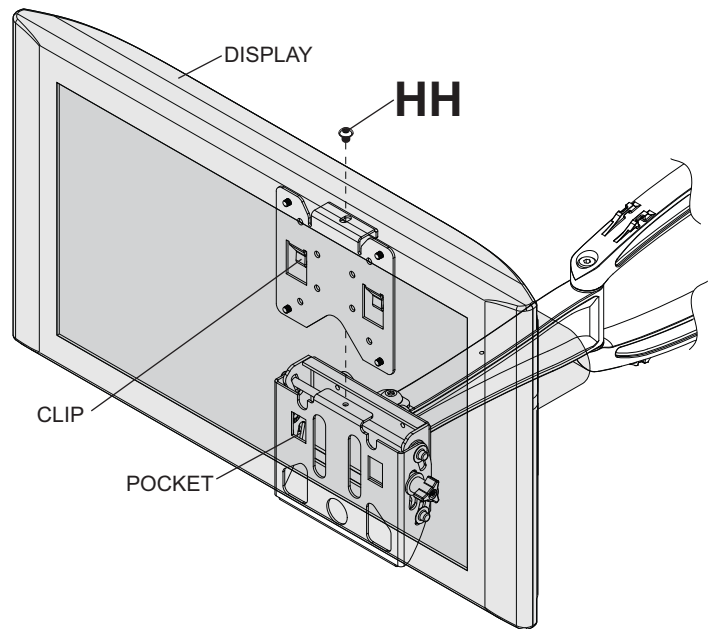
## Installing and Removing Flat Panel Display

**3** To attach display to wall mount, lower hook bracket into pockets of wall mount. Once clips are engaged, push down to seat clips into pockets. Insert and tighten M5 x 6mm screws (**HH**) to lock screen to wall mount as shown in figure 3.1.

To remove screen from mount, loosen screw (**HH**) and lift screen off of mount.

### **⚠ WARNING**

- Do not lift more weight than you can handle. Use additional man power or mechanical lifting equipment to safely handle placement of the screen.
- Failure to lock hook bracket with screw (**HH**) can cause screen to come off mount if hit accidentally.



**fig. 3.1**

## Free Manuals Download Website

<http://myh66.com>

<http://usermanuals.us>

<http://www.somanuals.com>

<http://www.4manuals.cc>

<http://www.manual-lib.com>

<http://www.404manual.com>

<http://www.luxmanual.com>

<http://aubethermostatmanual.com>

Golf course search by state

<http://golfingnear.com>

Email search by domain

<http://emailbydomain.com>

Auto manuals search

<http://auto.somanuals.com>

TV manuals search

<http://tv.somanuals.com>