

Installation and Assembly - DVD/VCR Mount Bracket For SA740.

Models: ACC932,
ACC932-S

IMPORTANT! Read entire instruction sheet before you start installation and assembly.

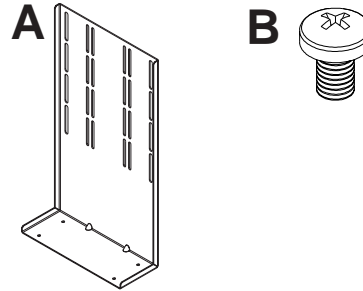
For customer care call 1-800-729-0307 or 708-865-8870. Visit the Peerless Web Site at www.peerlessmounts.com.

Before you start make sure all parts shown below are included with your product.

Parts List

Description	Qty.	Black Part #	Silver Part #
A adapter plate	1	201-1282	201-4282
B M5 X 8 mm phillips pan screw	4	570-0005	570-0005

Note: Some parts may appear slightly different than illustrated.



1

Attach adapter bracket (A) to Peerless VCR/DVD mounts with four screws as shown in fig. 1.1.

NOTE: For continued installation of the DVD mount follow Peerless VCR/DVD mount main instructions.

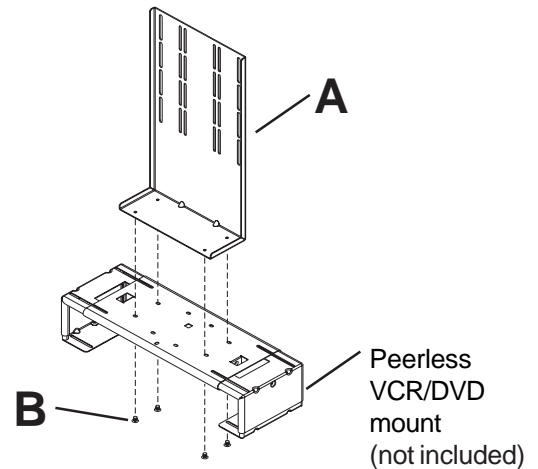


Fig. 1.1

2

NOTE: Refer to SmartMount 740 instruction sheet for VESA configuration, fasteners and the rest of the installation.

Attach adapter bracket (A) between the SmartMount 740 adapter plate and screen.

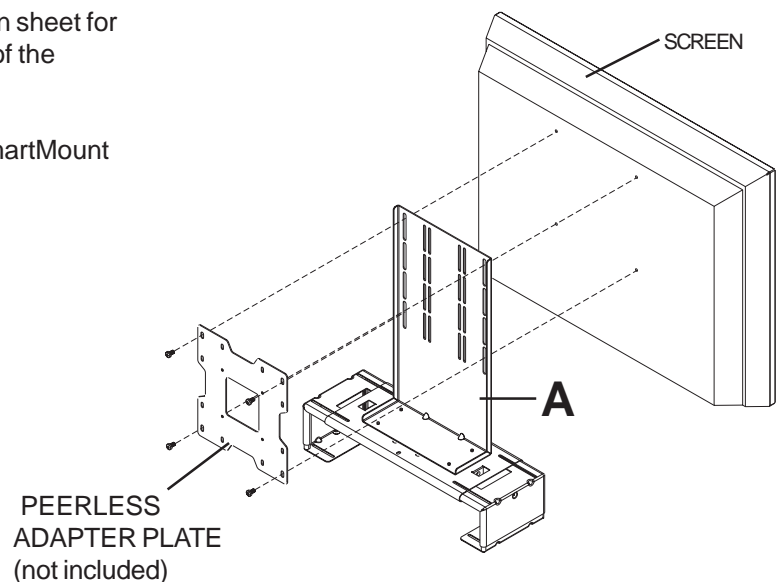


Fig. 2.1

Free Manuals Download Website

<http://myh66.com>

<http://usermanuals.us>

<http://www.somanuals.com>

<http://www.4manuals.cc>

<http://www.manual-lib.com>

<http://www.404manual.com>

<http://www.luxmanual.com>

<http://aubethermostatmanual.com>

Golf course search by state

<http://golfingnear.com>

Email search by domain

<http://emailbydomain.com>

Auto manuals search

<http://auto.somanuals.com>

TV manuals search

<http://tv.somanuals.com>