

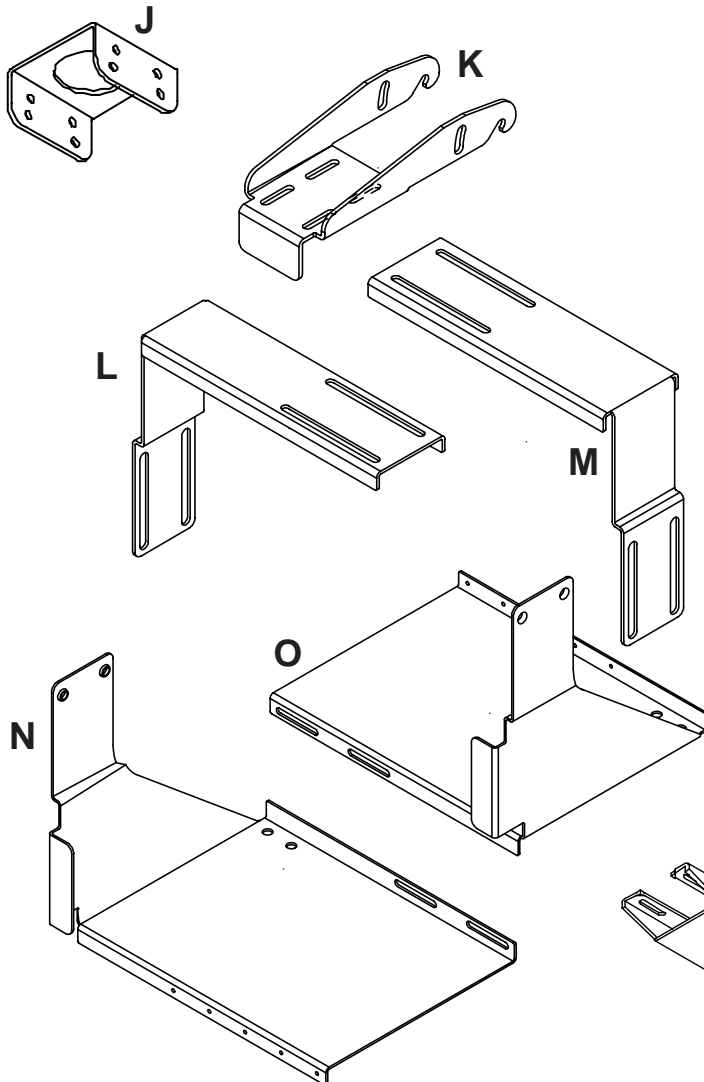
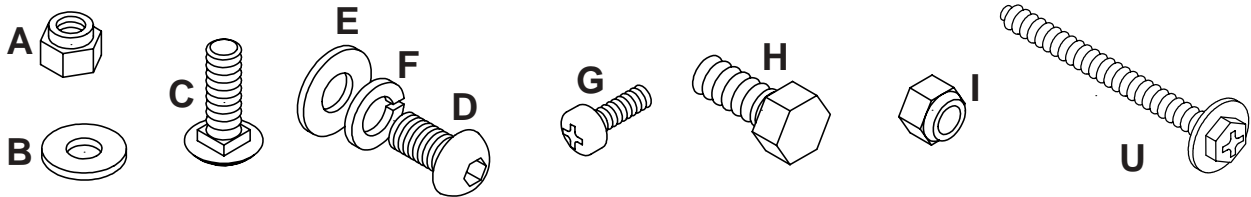
**IMPORTANT!** Read entire instruction sheet before you start installation and assembly.

**IMPORTANT!** This kit includes all mounting hardware for direct attachment to a wood joist ceiling. For concrete ceiling installations order accessory kit ACC 210. Fixed Length and adjustable extension columns are also available.

**⚠ WARNING**

- Installer must verify that the ceiling will safely support four times the combined weight of all attached equipment and hardware.

Before you start make sure all of the parts shown below are included with your product.



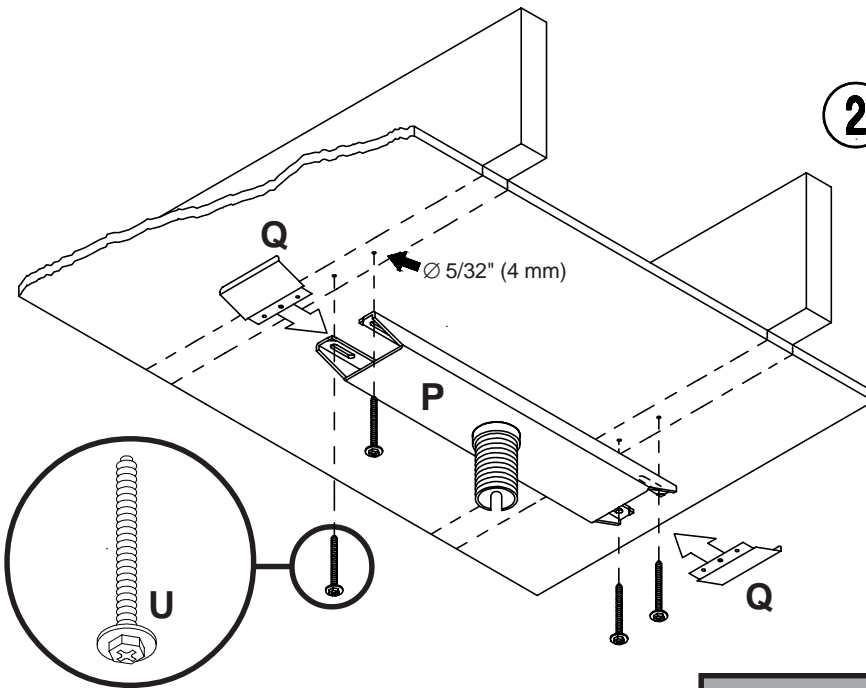
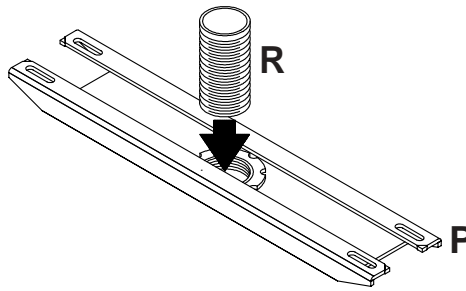
**PARTS LIST**

PART #	QTY.	DESCRIPTION
A	4	1/4-20 nylock nut
B	4	1/4 SAE flat washer
C	4	1/4-20 x 3/4" carriage bolt
D	6	5/16-18 socket head screw
E	8	5/16 SAE flat washer
F	6	5/16 lock washer
G	5	M5 x .8 x 10 mm phillips screw
H	2	5/16-18 x 3/4" hex head bolt
I	2	5/16-18 nylock nut
J	1	hanging bracket
K	1	tilt bracket
L	1	left adjuster
M	1	right adjuster
N	1	left tray
O	1	right tray
P	1	ceiling plate
Q	2	ceiling plate end cap
R	1	flush mount tube
S	1	retaining collar
T	1	fiber washer
U	4	#14 x 2.5" (6 mm x 65 mm) wood screw

Note: Parts may not appear exactly as illustrated.

- 1 From the top thread flush mount tube (R) through threaded fitting in ceiling plate (P).

**IMPORTANT: If you will install an extension column DO NOT INSTALL THE FLUSH MOUNT TUBE.**



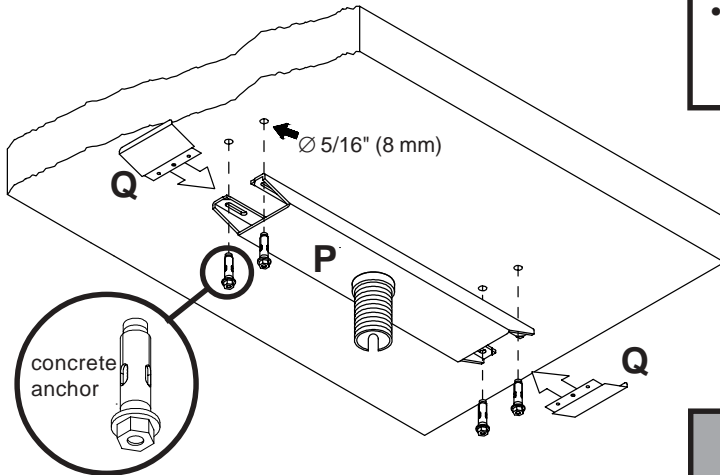
- 2 For Wood Joist Finished Ceiling, Exposed Wood Joists, or Wood Beam Ceiling. (See 3 for concrete ceilings). Drill four 5/32" (4 mm) dia. holes to a minimum depth of 2.5" (64 mm). Attach ceiling plate (P) with four #14 x 2.5" (6 mm x 65 mm) wood screws (U). Tighten wood screws so ceiling plate is firmly attached. **DO NOT TIGHTEN WITH EXCESSIVE FORCE!** Overtightening can cause stress damage to wood screws greatly reducing their holding power! Tighten to 80 in • lb (9 N.M.) maximum torque. Snap end caps (Q) into place.

## ⚠ WARNING

- Tighten wood screws so that ceiling plate is firmly attached, but do not overtighten. Overtightening can damage the screws, greatly reducing their holding power.
- Never tighten in excess of 80 in • lb (9 N.M.).
- Make sure that mounting screws are anchored into the center of the joists. The use of an "edge to edge" stud finder is highly recommended.

## ⚠ WARNING

- Installer must verify that the ceiling will safely support four times the combined weight of all attached equipment and hardware.



- 3** For **Concrete Ceilings** drill four 5/16" (8 mm) dia. holes to a minimum depth of 1 3/4" (45 mm). Attach ceiling plate (**P**) using concrete expansion anchors as shown (left and next page). Tighten to 80 in • lb (9 N.M.) maximum torque. Snap end caps (**Q**) into place.

## ⚠ WARNING

- Tighten concrete anchor bolts firmly, but do not overtighten. Overtightening can damage the bolts, greatly reducing their holding power.
- Never tighten in excess of 80 in • lb (9 N.M.).

## ⚠ WARNING

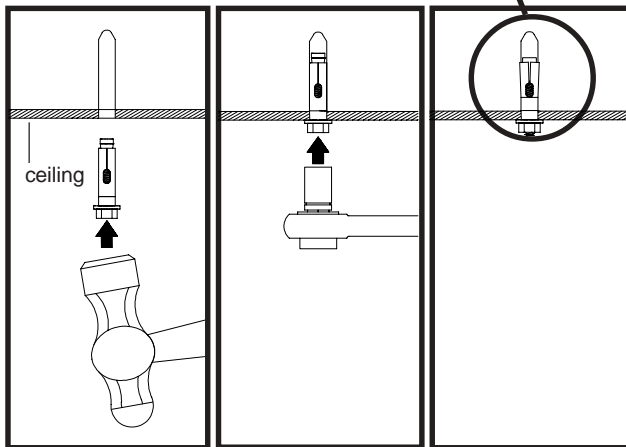
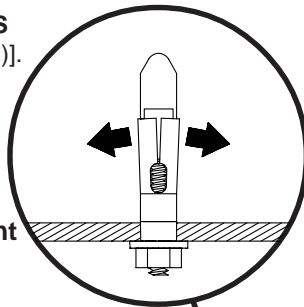
- Always attach concrete expansion anchors directly to load-bearing concrete.
- Never attach concrete expansion anchors to concrete covered with plaster, drywall or other finishing material.

**FOR PRODUCT SAFETY USE ONLY...**

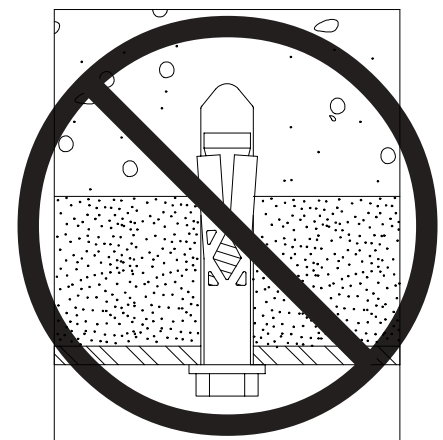
**RAWL™ #5005 OR HILTI™ HL814 CONCRETE ANCHORS**  
[.312 x 1.625 (8 mm x 41 mm)].  
**ORDER ACCESSORY FASTENER KIT #ACC 210**

### CONCRETE ANCHOR INSTALLATION

**Cross Section: Attachment to a concrete ceiling.**



**STEP1:** Hammer in concrete anchor.  
**STEP2:** Tighten to 80 in • lb (9 N.M.) maximum torque to expand anchors.

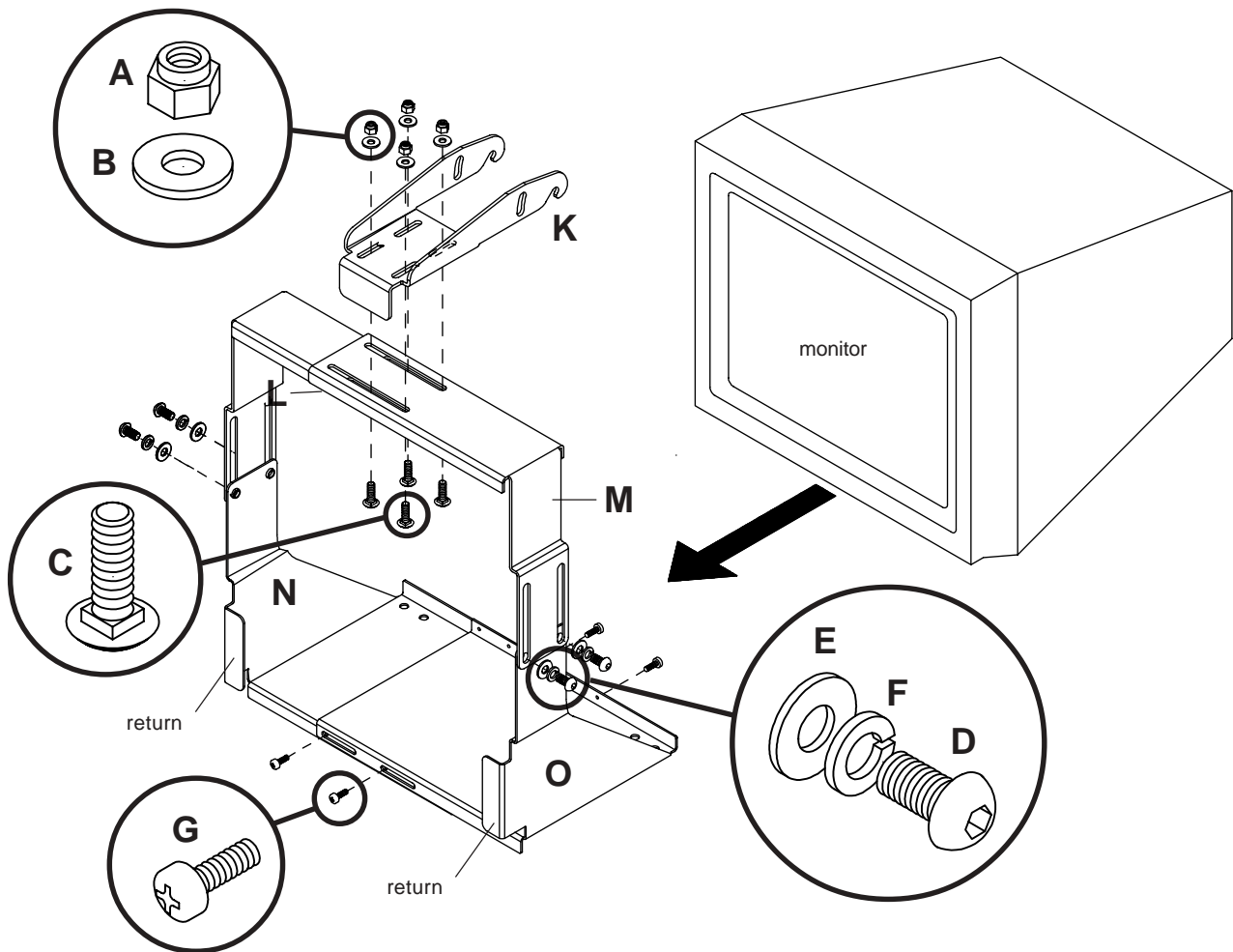


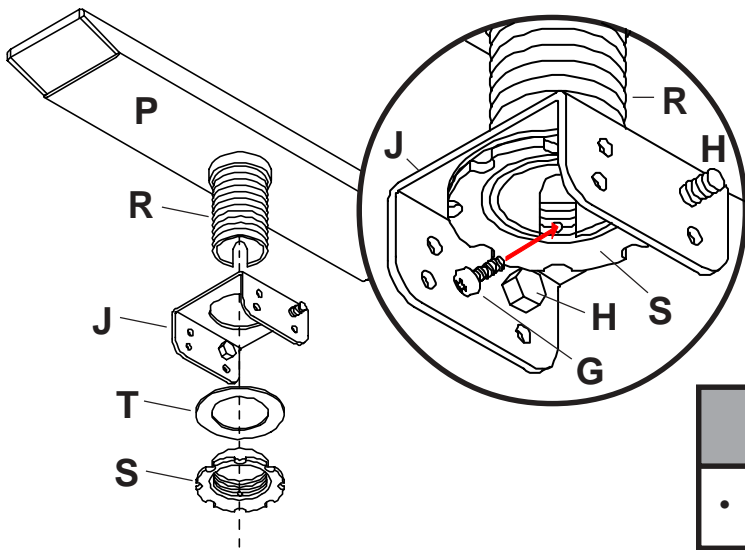
**CUTAWAY VIEW**

**4** **First:** Assemble bracket as shown. Leave all fasteners slightly loose to allow for adjustment.

**Second:** From behind, insert monitor into bracket. Face of monitor should touch returns on left and right trays (**N & O**). Adjust height and width of bracket to fit snugly around monitor.

**Last:** Tighten all fasteners!



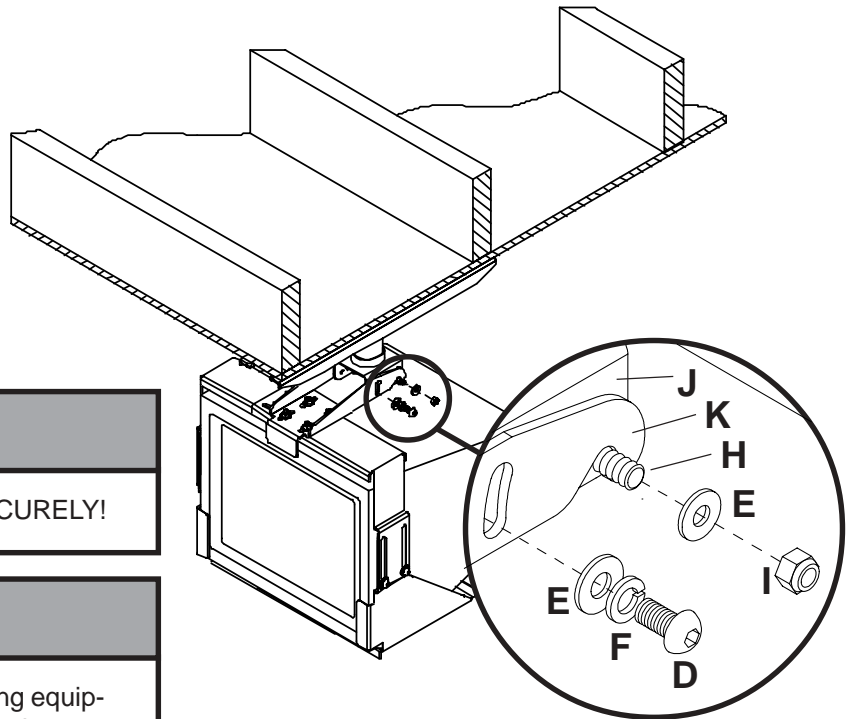


- 5** **First:** Choose tilt option (see "Tilt Options" below).  
**Second:** From inside, insert and tighten 5/16-18 x 3/4" hex bolts (H) to hanger bracket (J).  
**Third:** Attach hanger bracket using fiber washer (T) and retaining collar (S). Tighten retaining collar four or five complete turns.  
**Last:** Align one hole in the side of the retaining collar with slot. From inside insert and tighten one M5 x .8 x 10 mm phillips screw (G) to lock retaining collar (S).

**▲ WARNING**

- For safety retaining collar must be locked with screw!

- 6** Complete the assembly as shown.



**▲ WARNING**

- Be sure to TIGHTEN ALL FASTENERS SECURELY!

**▲ WARNING**

- Always use an assistant or mechanical lifting equipment to safely lift and position the TV or monitor.

**TILT OPTIONS - SIDE VIEW**

**Tilt Option One**  
 Attach tilt bracket (K) to hanging bracket (J) as shown for a tilt range from 0° to 20°.

**Tilt Option Two**  
 Attach tilt bracket (K) to hanging bracket (J) as shown for a tilt range from 20° to 40°.

## Free Manuals Download Website

<http://myh66.com>

<http://usermanuals.us>

<http://www.somanuals.com>

<http://www.4manuals.cc>

<http://www.manual-lib.com>

<http://www.404manual.com>

<http://www.luxmanual.com>

<http://aubethermostatmanual.com>

Golf course search by state

<http://golfingnear.com>

Email search by domain

<http://emailbydomain.com>

Auto manuals search

<http://auto.somanuals.com>

TV manuals search

<http://tv.somanuals.com>