

PARAMOUNTTM by Peerless

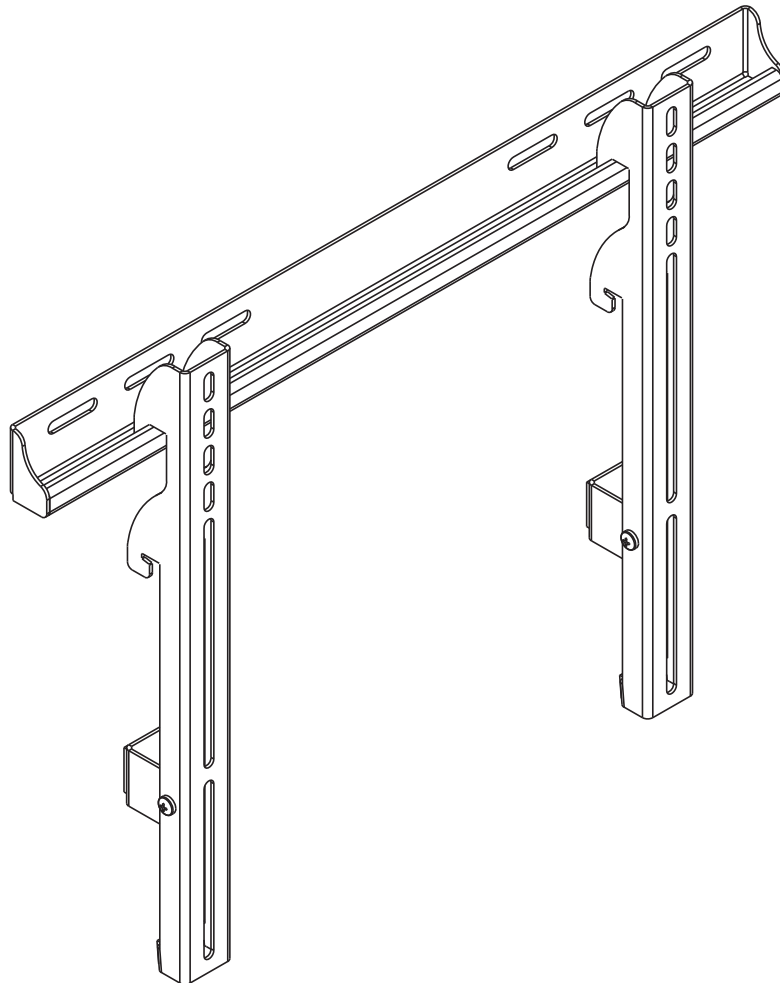
Installation and Assembly: ParamountTM Flat and Tilt Wall Mount for LCD and Plasma Flat Panel Screens

Product is UL rated for screen size range and load capacity per chart below



This product is intended for use with UL Listed products and must be installed by a qualified professional installer.

| Model# | Screen size range | Max UL Load Capacity |
|--------|-------------------|----------------------|
| PFT640 | 23" - 46" | 100 lb (45 kg) |
| PFT660 | 37" - 60" | 175 lb (79 kg) |



Features:

- Built-in flat and fixed-tilt feature
- Incremental tilt of 0°, 2°, 5° and 10°

Note: Read entire instruction sheet before you start installation and assembly.

⚠ WARNING

- Do not begin to install your Peerless product until you have read and understood the instructions and warnings contained in this Installation Sheet. If you have any questions regarding any of the instructions or warnings, please call Peerless customer care at 1-800-865-2112.
- This product should only be installed by someone of good mechanical aptitude, has experience with basic building construction, and fully understands these instructions.
- Make sure that the supporting surface will safely support the combined load of the equipment and all attached hardware and components.
- Never exceed the Maximum UL Load Capacity. See page one.
- If mounting to wood wall studs, make sure that mounting screws are anchored into the center of the studs. Use of an "edge to edge" stud finder is highly recommended.
- Always use an assistant or mechanical lifting equipment to safely lift and position equipment.
- Tighten screws firmly, but do not overtighten. Overtightening can damage the items, greatly reducing their holding power.
- This product is intended for indoor use only. Use of this product outdoors could lead to product failure and personal injury.
- This product was designed and intended to be mounted to the following supporting surfaces checked below with the hardware included in this product as specified in the installation sheet. To mount this product to an alternative supporting surface, contact Peerless customer care at 1 800 865-2112.
- This product was designed to be installed on the following wall construction only;

WALL CONSTRUCTION

ADDITIONAL HARDWARE REQUIRED

| | |
|--|---|
| <input checked="" type="checkbox"/> Wood Stud | None |
| <input checked="" type="checkbox"/> Wood Beam | None |
| <input checked="" type="checkbox"/> Solid Concrete | None |
| <input checked="" type="checkbox"/> Cinder Block | None |
| <input type="checkbox"/> Metal Stud | Do not attach except with Peerless accessory kit for metal studs; Contact Customer Service for Peerless accessory kit for metal studs. |
| <input type="checkbox"/> Brick | Contact Customer Service |
| <input type="checkbox"/> Other or unsure? | Contact Customer Service |

Tools Needed for Assembly

- stud finder ("edge to edge" stud finder is recommended)
- phillips screwdriver
- drill
- 1/4" bit for concrete and cinder block wall
- 1/2" bit for metal stud wall
- 5/32" bit for metal or wood stud wall
- level

Accessories

- 4 piece Metal Stud Fastener Kit (ACC 415) (Metal Stud not evaluated by UL)
- 2 piece Metal Stud Fastener Kit (ACC 215) (Metal Stud not evaluated by UL)

Table of Contents

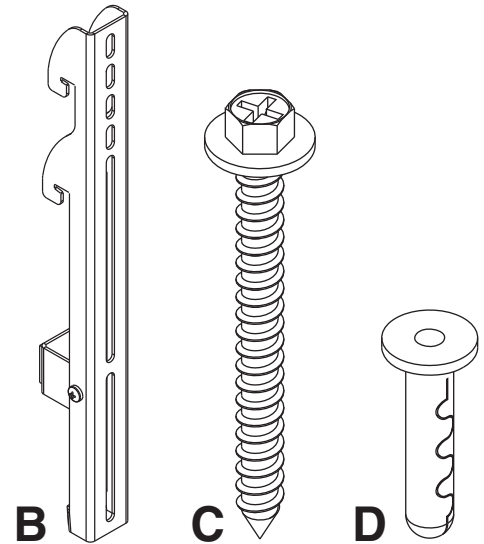
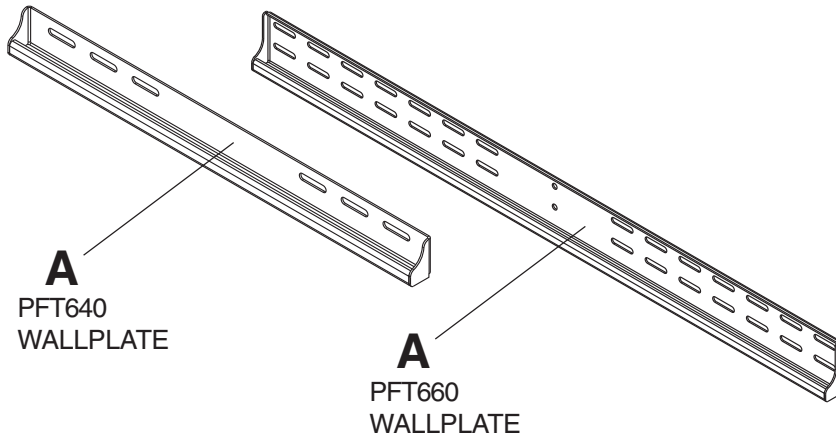
| | |
|--|---|
| Parts List | 3 |
| Installation to Double Wood Stud Wall | 4 |
| Installation to Triple Wood Stud Wall | 5 |
| Installation to Solid Concrete or Cinder Block | 6 |
| Installing Vertical Brackets | 7 |
| Installing Flat Panel Screen to Wall Plate | 9 |

For customer care call (800) 865-2112 or (708) 865-8870.

Before you begin, make sure all parts shown are included with your product.

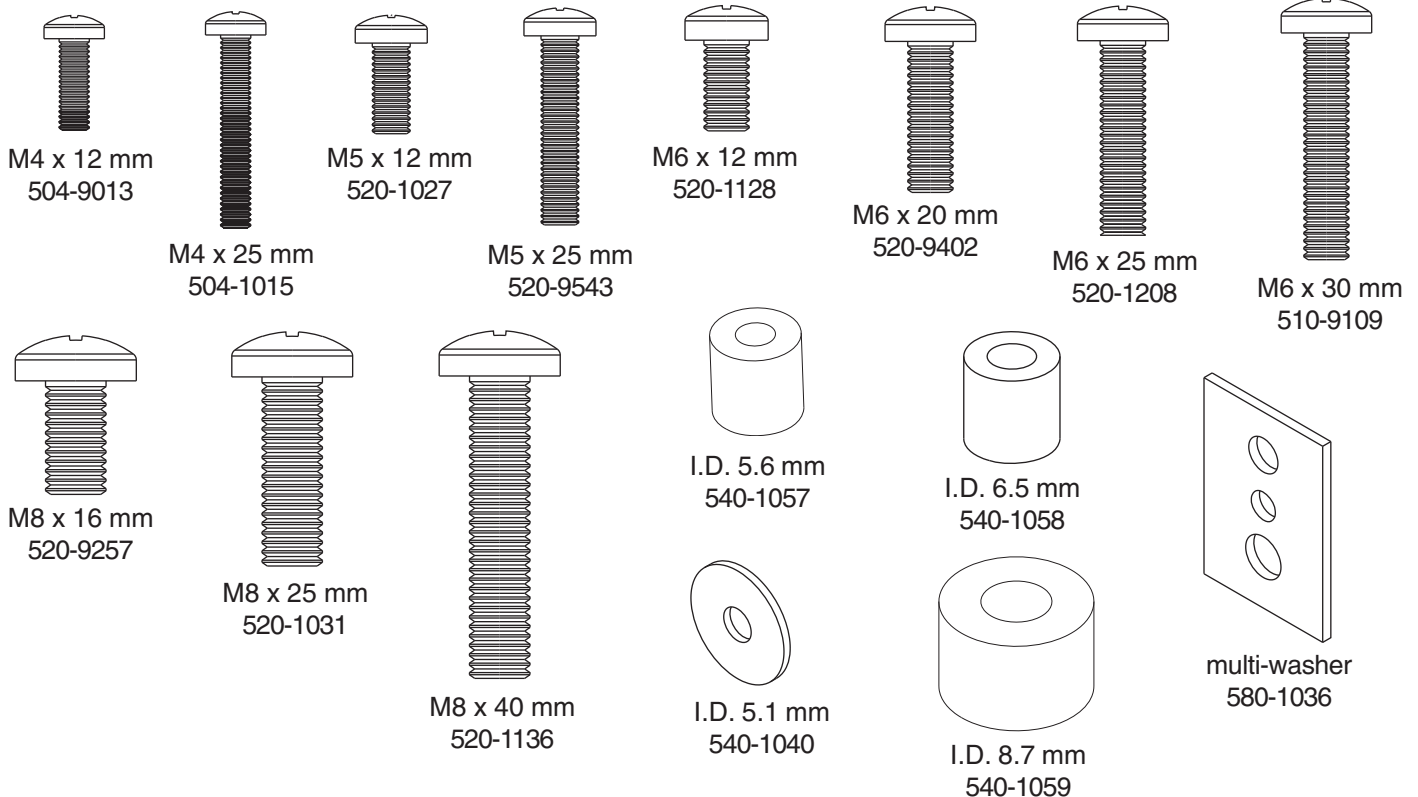
Parts may appear slightly different than illustrated.

| Parts List | | | PFT640 | PFT660 |
|--------------------------------|-------------|---------------|---------------|---------------|
| Description | Qty. | Part # | Part # | Part # |
| A wall plate | 1 | 201-P1300 | 201-P1311 | |
| B vertical bracket | 2 | 201-0370 | 201-0371 | |
| C #14 x 2.5" wood screw | 4 | 5S1-015-C03 | | |
| | 6 | | 5S1-015-C03 | |
| D alligator® anchor | 4 | 590-0097 | | |
| | 6 | | 590-0097 | |



Adapter Bracket Fasteners

Note: The sorted-for-you™ fastener pack included was made specifically for your product and may not contain all components shown below.



Installation to Double Wood Stud Wall

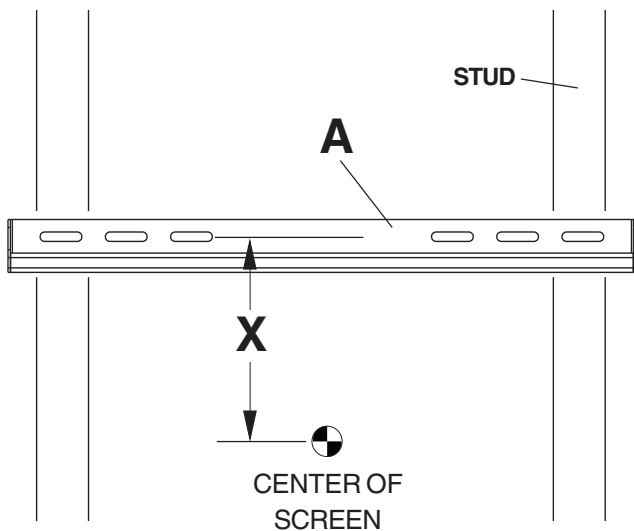
⚠ WARNING

- Installer must verify that the supporting surface will safely support the combined load of the equipment and all attached hardware and components.
- Tighten wood screws so that wall plate is firmly attached, but do not overtighten. Overtightening can damage the screws, greatly reducing their holding power.
- Never tighten in excess of 80 in. • lb (9 N.M.).
- Make sure that mounting screws are anchored into the center of the stud. The use of an "edge to edge" stud finder is highly recommended.
- Hardware provided is for attachment of mount through standard thickness drywall or plaster into wood studs. Installers are responsible to provide hardware for other types of mounting situations.

NOTE: If mounting equipment weighing greater than 100 lbs, triple stud mounting is strongly recommended.
Skip to page 5.

- 1 Wall plate (A) can be mounted to two studs that are 16" apart. Use a stud finder to locate the edges of the studs. Use of an edge-to-edge stud finder is highly recommended. Based on their edges, draw a vertical line down each stud's center. Place wall plate on wall as a template. The top mounting slots should be located above the desired screen center as shown in figure 1.1. **Note:** Screen tilt will determine wall plate location. Level plate, and mark the center of the two mounting holes. Make sure that the mounting holes are on the stud centerlines. Drill two 5/32" (4 mm) dia. holes 2-1/2" (65 mm) deep. Make sure that the wall plate is level, secure it using two #14 x 2.5" wood screws (C) as shown in figure 1.2.

Skip to step 2 on page 7.



| Tilt | X Distance |
|------|---------------|
| 0° | 5.8" (147 mm) |
| 2° | 2.8" (71 mm) |
| 5° | 5.8" (147 mm) |
| 10° | 2.8" (71 mm) |

fig. 1.1

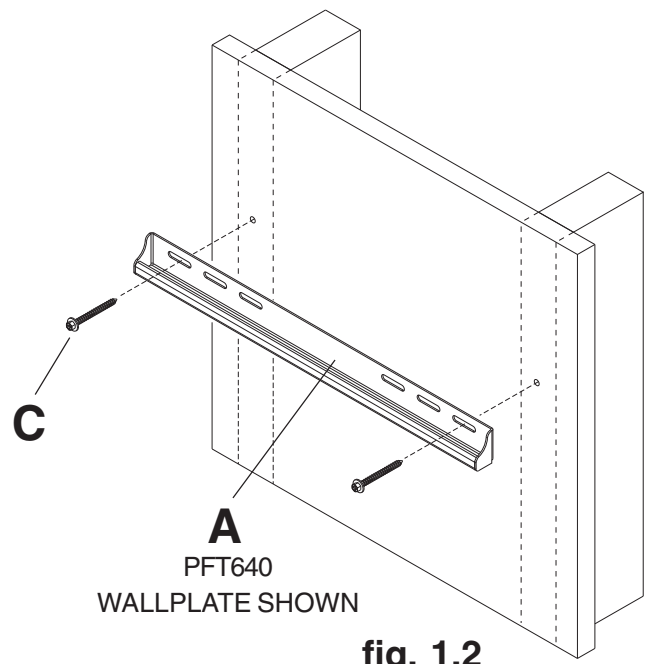


fig. 1.2

Installation to Triple Wood Stud Wall

⚠ WARNING

- Installer must verify that the supporting surface will safely support the combined load of the equipment and all attached hardware and components.
- Tighten wood screws so that wall plate is firmly attached, but do not overtighten. Overtightening can damage the screws, greatly reducing their holding power.
- Never tighten in excess of 80 in. • lb (9 N.M.).
- Make sure that mounting screws are anchored into the center of the stud. The use of an "edge to edge" stud finder is highly recommended.
- Hardware provided is for attachment of mount through standard thickness drywall or plaster into wood studs. Installers are responsible to provide hardware for other types of mounting situations.

1 Wall plate (A) can be mounted to three studs that are 16" apart. Use a stud finder to locate the edges of the studs. Use of an edge-to-edge stud finder is highly recommended. Based on their edges, draw a vertical line down each stud's center. Place wall plate on wall as a template. The top mounting slots should be located above the desired screen center as shown in figure 1.3. **Note:** Screen tilt will determine wall plate location. Level plate, and mark the center of the six mounting holes. Make sure that the mounting holes are on the stud centerlines. Drill six 5/32" (4 mm) dia. holes 2-1/2" (65 mm) deep. Make sure that the wall plate is level, secure it using six #14 x 2.5" wood screws (C) as shown in figure 1.4.

NOTE: When mounting equipment weighing greater than 100 lbs, triple stud mounting is strongly recommended. If mounting to two studs, wall plate may be mounted up to 4" (102 mm) off-center as shown in figure 1.5.

Skip to step 2 on page 7.

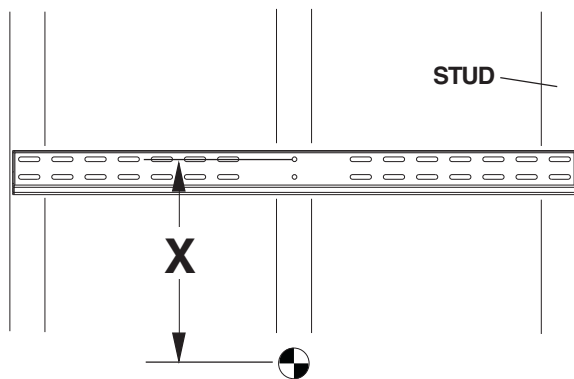


fig. 1.3

CENTER OF
SCREEN

| Tilt | X Distance |
|------|-------------|
| 0° | 9" (229 mm) |
| 2° | 6" (152 mm) |
| 5° | 9" (229 mm) |
| 10° | 6" (152 mm) |

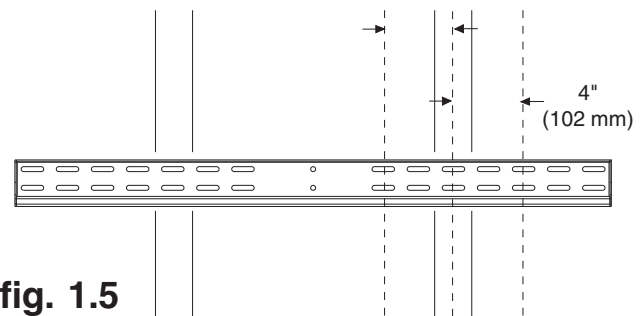


fig. 1.5

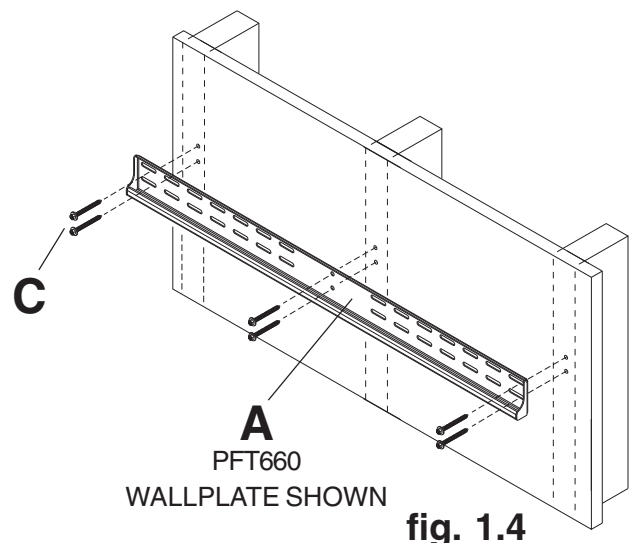


fig. 1.4

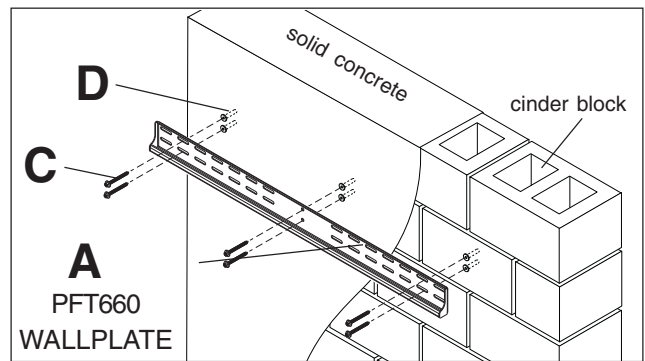
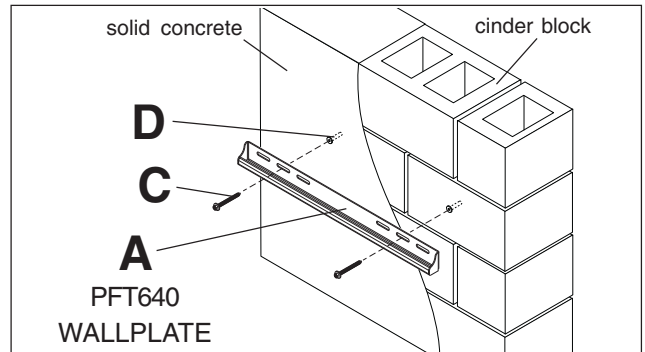
Installation to Solid Concrete or Cinder Block

⚠ WARNING

- When installing Peerless wall mounts on cinder block, verify that you have a minimum of 1-3/8" of actual concrete thickness in the hole to be used for the concrete anchors. Do not drill into mortar joints! Be sure to mount in a solid part of the block, generally 1" minimum from the side of the block. Cinder block must meet ASTM C-90 specifications. It is suggested that a standard electric drill on slow setting is used to drill the hole instead of a hammer drill to avoid breaking out the back of the hole when entering a void or cavity.
- Concrete must be 2000 psi density minimum. Lighter density concrete may not hold concrete anchor.
- Make sure that the supporting surface will safely support the combined load of the equipment and all attached hardware and components.

1 Make sure that wall plate (A) is level, use it as a template to mark two mounting holes. The top mounting hole should be above the desired screen center as shown in figure 1.1 on page 4 or figure 1.3 on page 5. **NOTE:** Screen tilt will determine wall plate location. Drill two 1/4" (6 mm) dia. holes to a minimum depth of 2.5" (64 mm). Insert anchors (D) in holes flush with wall as shown (right). Place wall plate over anchors and secure with #14 x 2.5" screws (C). Level, then tighten all fasteners.

NOTE: Six holes and six sets of fasteners are required when mounting the PFT660 wall plate.



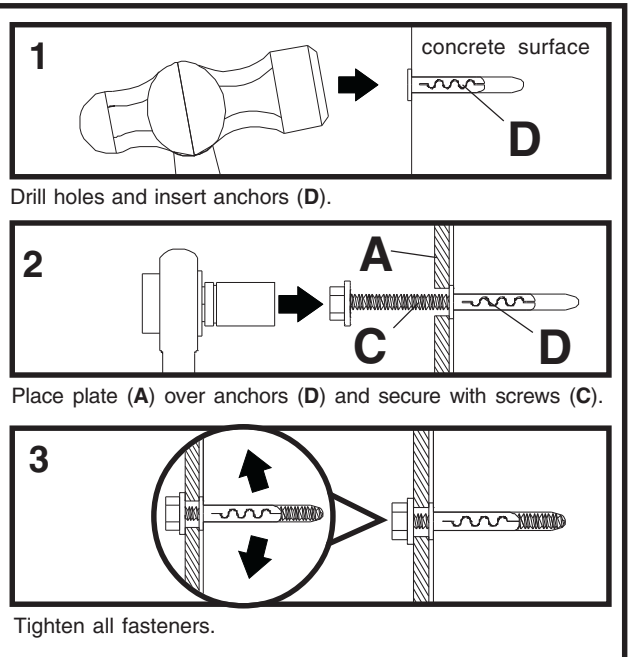
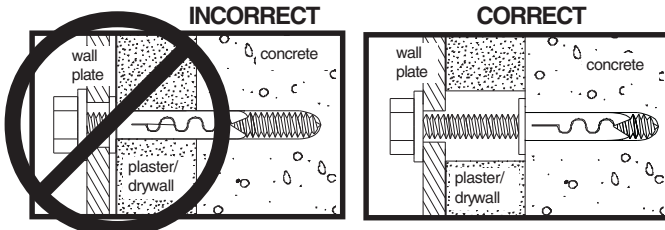
⚠ WARNING

- Tighten screws so that wall plate is firmly attached, but do not overtighten. Overtightening can damage screws, greatly reducing their holding power.
- Never tighten in excess of 80 in. • lb (9 N.M.).

⚠ WARNING

- Always attach concrete anchors directly to load-bearing concrete.
- Never attach concrete anchors to concrete covered with plaster, drywall, or other finishing material. If mounting to concrete surfaces covered with a finishing surface is unavoidable, the finishing surface must be counterbored as shown below. Be sure concrete anchors do not pull away from concrete when tightening screws. If plaster/drywall is thicker than 5/8", custom fasteners must be supplied by installer (not UL approved).

CUTAWAY VIEW



Installing Vertical Brackets

⚠ WARNING

- Tighten screws so adapter brackets are firmly attached. Do not tighten with excessive force. Overtightening can cause stress damage to screws, greatly reducing their holding power and possibly causing screw heads to become detached. Tighten to 40 in. • lb (4.5 N.M.) maximum torque.
- If screws don't get three complete turns in the screen inserts or if screws bottom out and bracket is still not tightly secured, damage may occur to screen or product may fail.

2 To prevent scratching the screen, set a cloth on a flat, level surface that will support the weight of the screen. Place screen face side down. If screen has knobs on the back, remove them to allow the adapter brackets to be attached. Place vertical brackets (**B**) on back of screen. Align to holes, and center on back of screen as shown in figure 2.1. Attach the vertical brackets to the back of the screen using the appropriate combination of screws, multi-washers, and spacers as shown in figure 2.3. **NOTE:** Be sure to attach vertical brackets with wall support brackets positioned at the bottom of screen as shown in figure 2.1.

NOTE: Top and bottom mounting holes must be used for attaching brackets. Middle holes should also be used where the fasteners and screens allow.

Verify that all holes are properly aligned, and then tighten screws using a phillips screwdriver.

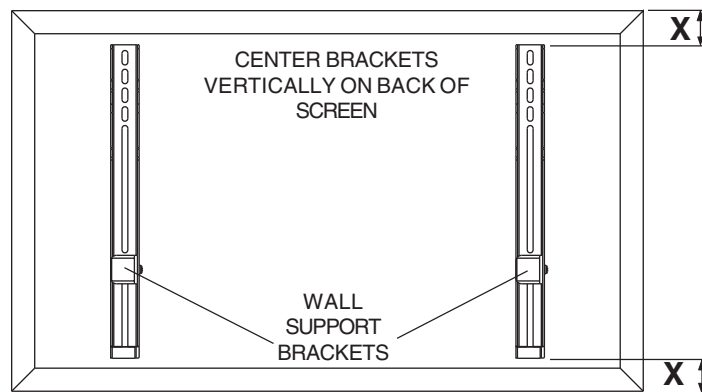


fig. 2.1

NOTE: "X" dimensions should be equal.

Notes:

- Always use multi-washers when attaching vertical brackets (**B**) to your screen.
- Use the corresponding hole in the multi-washer that matches your screw size as shown in figure 2.2.
- Spacers may not be used, depending upon the type of screen.

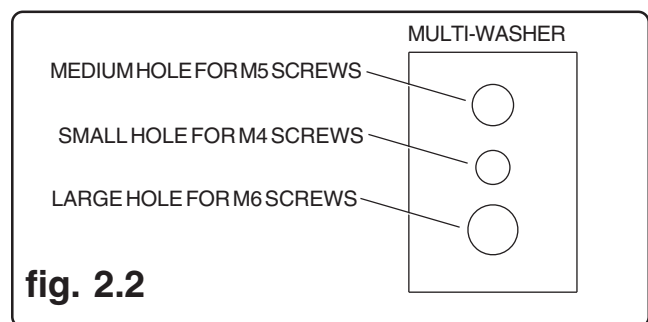


fig. 2.2

NOTE: For **flat back screens** proceed to step 2-3. For **bump-out or recessed back screen** skip to step 2-4

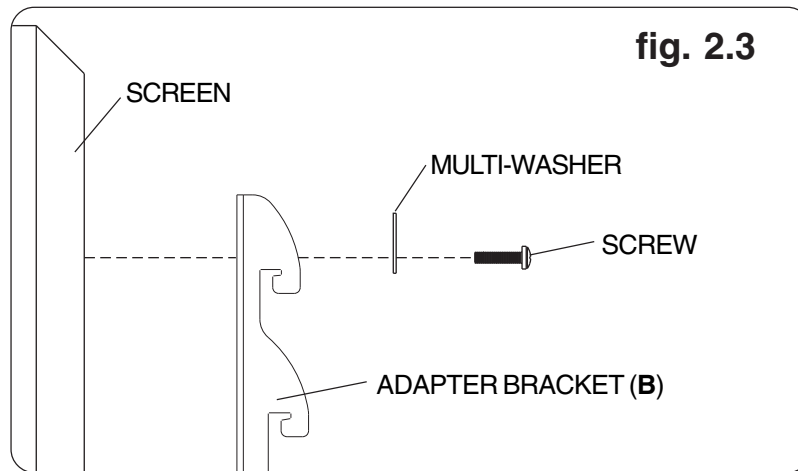
For Flat Back Screen

2-3

If you have any questions, please call Peerless customer care at **1-800-865-2112** or visit our website at www.peerlessmounts.com/1 for PFT640 models or www.peerlessmounts.com/6 for PFT660 models, to locate your screen compatibility chart.

Begin with the shortest length screw, hand thread through multi-washer and adapter bracket into screen as shown below. Screw must make at least three full turns into the mounting hole and fit snug into place. Do not over tighten. If screw cannot make three full turns into the screen, select a longer length screw from the baffled fastener pack. Repeat for remaining mounting holes, level brackets and tighten screws.

NOTE: Spacers may not be used, depending upon the type of screen.



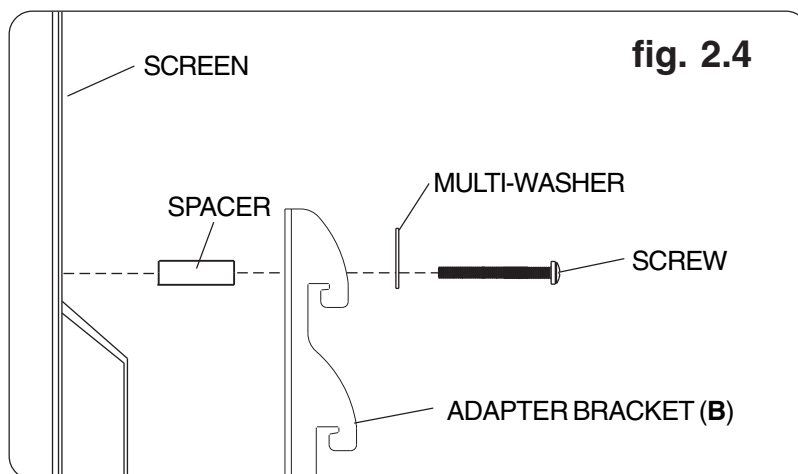
If you have any questions, please call Peerless customer care at **1-800-865-2112**.

For Bump-out or Recessed Back Screen

2-4

If you have any questions, please call Peerless customer care at **1-800-865-2112** or visit our website at www.peerlessmounts.com/1 for PFT640 models or www.peerlessmounts.com/6 for PFT660 models, to locate your screen compatibility chart.

Begin with longer length screw, hand thread through multi-washer, adapter bracket and spacer in that order into screen as shown below. Screw must make at least three full turns into the mounting hole and fit snug into place. Do not over tighten. If screw cannot make three full turns into the screen, select a longer length screw from the baffled fastener pack. Repeat for remaining mounting holes, level brackets and tighten screws.



If you have any questions, please call Peerless customer care at **1-800-865-2112**.

⚠ WARNING

- Always use an assistant or mechanical lifting equipment to safely lift and position the plasma television.

⚠ CAUTION

- Be careful not to pinch fingers when pushing screen from the bottom.

Mounting Flat Panel Screen

3 To Mount Screen With No Tilt or 2° Tilt

Hook vertical brackets (B) onto wall plate (A) using top hooks for no tilt and bottom hooks for 2° tilt as shown in figure 3.3. Hooks of vertical brackets must be engaged securely onto wall plate as shown in detail 1, then slowly swing screen toward wall as shown in figure 3.1.

Screen can be adjusted horizontally if desired as shown in figure 3.4.

To Mount Screen With 5° or 10° Tilt

Remove wall support brackets and screws from vertical brackets as shown in figure 3.2. Hook vertical brackets (B) onto wall plate (A) using top hooks for 5° tilt and bottom hooks for 10° tilt as shown in figure 3.3. Hooks of vertical brackets must be engaged securely onto wall plate as shown in detail 1, then slowly swing screen toward wall as shown in figure 3.1.

Screen can be adjusted horizontally if desired as shown in figure 3.4.

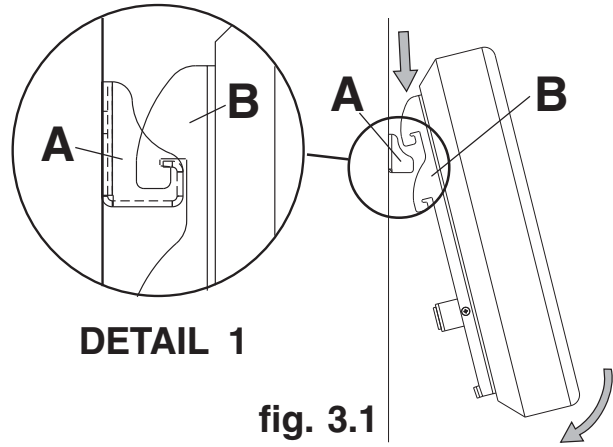


fig. 3.1

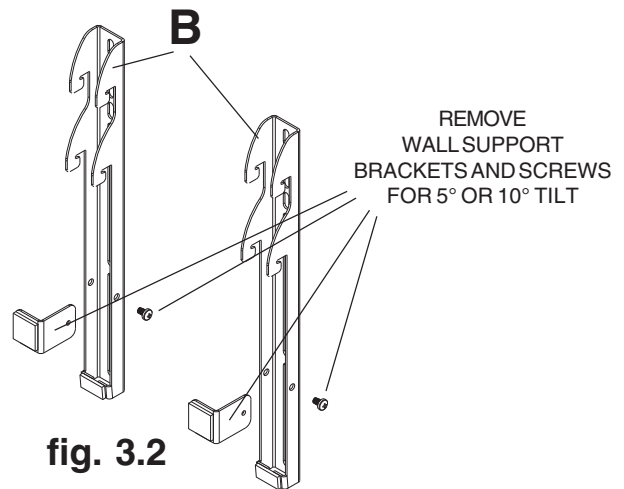


fig. 3.2

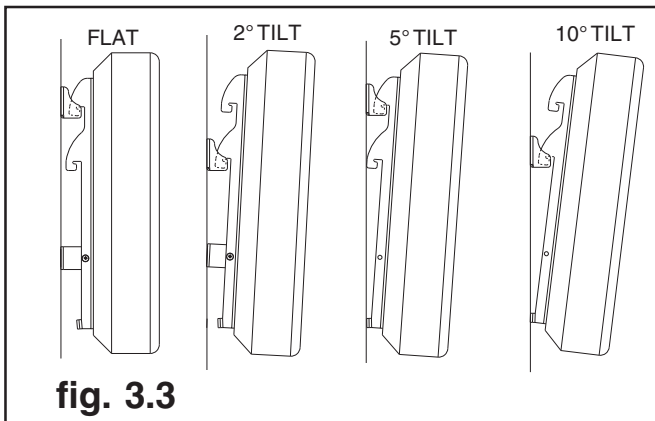


fig. 3.3

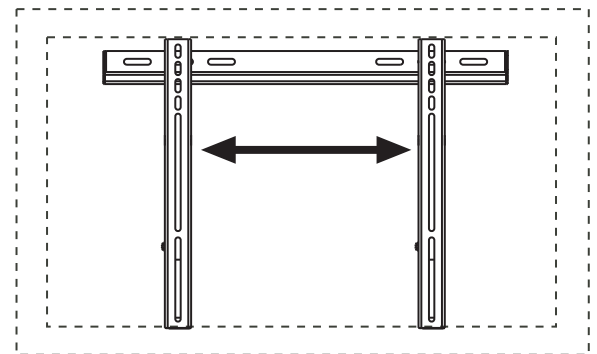


fig. 3.4

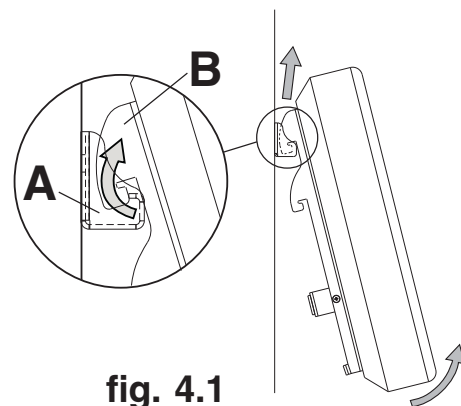


fig. 4.1

Removing Flat Panel Screen

- 4 To remove screen from mount, slowly swing bottom of screen away from wall and slightly push top of screen toward wall to disengage hooks on vertical brackets (B) from wall plate (A). Lift screen off of wall plate as shown in figure 4.1.

PARAMOUNTTM by Peerless

Instalación y ensamblaje:

Soporte de pared ParamountTM plano y con capacidad de inclinación para televisores de pantalla plana de LCD o de plasm

Este producto está clasificado por Underwriters Laboratories (UL) para utilizarse con pantallas dentro de las gamas de tamaños y de la capacidad de soportar carga ____ según lo indicado en la tabla que aparece continuación.

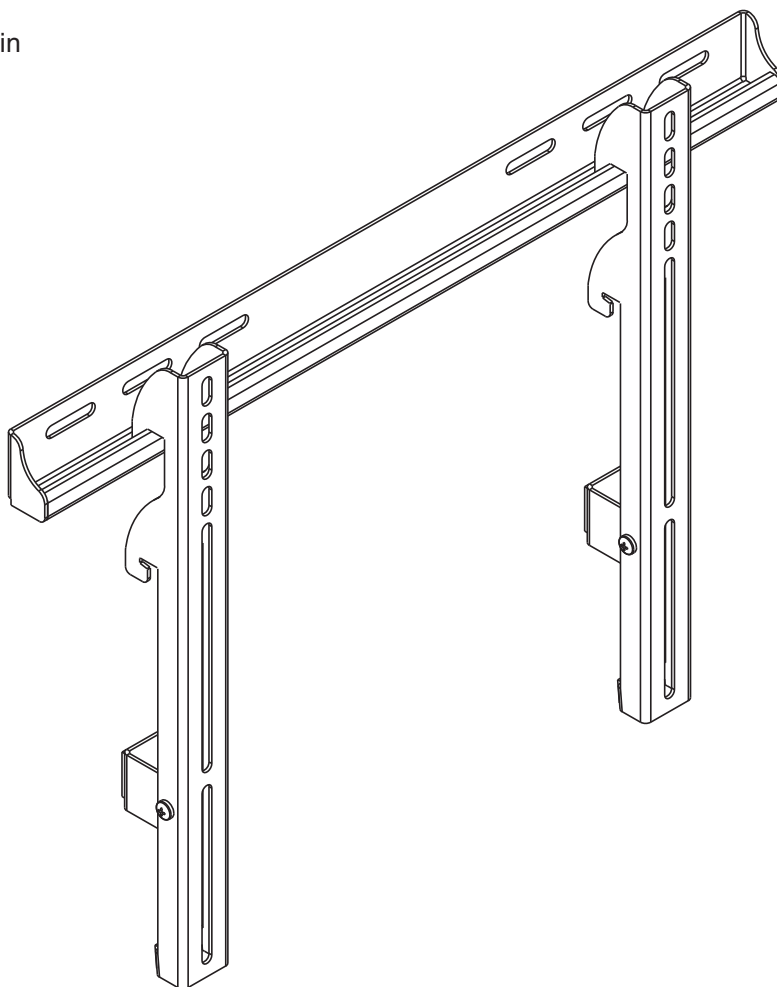


Este producto debe ser utilizado con productos que lleven la marca UL (Underwrites Laboratory) y tiene que ser instalado por un instalador profesional calificado.

| Nº de modelo | Gama de tamaños de la pantalla | Capacidad máxima de soportar carga según UL: |
|--------------|--------------------------------|--|
| PFT640 | 23" - 46" | 100 lb (45 kg) |
| PFT660 | 37" - 60" | 175 lb (79 kg) |

Características:

- Función integrada para instalación con o sin inclinación de la pantalla
- Inclinación ajustable a 0°, 2°, 5° y 10°



⚠ ADVERTENCIA

- No comience a instalar su producto de Peerless hasta haber leído y entendido las instrucciones y las advertencias contenidas en la Hoja de Instalación. Si tiene alguna pregunta acerca de cualquiera de las instrucciones o las advertencias, por favor, llame a Servicio al Cliente de Peerless al 1-800-865-2112.
- Este producto sólo debe ser instalado por una persona que tenga una aptitud mecánica, que tenga experiencia en construcción básica de edificios y que entienda estas instrucciones en su totalidad.
- Asegúrese de que la superficie de apoyo sostendrá, con seguridad, la carga combinada del equipo y todos los fijadores y componentes.
- Nunca sobrepase la capacidad máxima de soportar carga aceptada por Underwriters Laboratories. (Vea la página 9).
- Si va a instalar el producto en una pared con montantes de madera, asegúrese de que los tornillos de montaje estén anclados en el centro de los montantes. Se recomienda utilizar un localizador de montantes de "borde a borde".
- Siempre cuente con la ayuda de un asistente o utilice un equipo mecánico de izar para levantar y colocar el equipo con más seguridad.
- Apriete los tornillos con firmeza, pero no en exceso. Apretarlos en exceso puede dañar los artículos y puede disminuir significativamente su fuerza de fijación.
- Este producto está diseñado para uso en interiores solamente. Utilizar este producto en exteriores podría causar fallas del producto y lesiones a individuos.
- Este producto fue diseñado con la intención de que se instale en las superficies de apoyo marcadas abajo con los accesorios de instalación incluidos en este producto como se especifica en la hoja de instalación. Para instalar este producto en otra superficie de apoyo, llame a Servicio al Cliente de Peerless al 1-800-865-2112.
- Este producto fue diseñado para ser instalado en paredes con la siguiente construcción solamente:

CONSTRUCCIÓN DE LA PARED

ACCESORIOS ADICIONALES NECESARIOS

- | | |
|--|---|
| <input checked="" type="checkbox"/> Montante de madera | Ninguno |
| <input checked="" type="checkbox"/> Viga de madera | Ninguno |
| <input checked="" type="checkbox"/> Concreto macizo | Ninguno |
| <input checked="" type="checkbox"/> Bloque de hormigón de escorias | Ninguno |
| <input type="checkbox"/> Montante de metal | No lo instale excepto con el juego de accesorios de Peerless para montantes de metal. Llame a Servicio al Cliente para pedir el juego de accesorios de Peerless para montantes de metal. |
| <input type="checkbox"/> Ladrillo | Comuníquese con Servicio al Cliente. |
| <input type="checkbox"/> ¿Otra superficie o no está seguro? | Comuníquese con Servicio al Cliente. |

Herramientas necesarias para el ensamblaje

- localizador de montantes (se recomienda uno de "borde a borde")
- destornillador phillips
- taladro
- broca de 1/4" para paredes de concreto y de bloque de hormigón de escorias
- broca de 1/2" para paredes con montantes de metal
- broca de 5/32" para paredes con montantes de metal o de madera
- nivel

Accesorios

- Juego de accesorios de 4 piezas para la fijación en montantes de metal (ACC 415) (El montante de metal no ha sido evaluado por UL)
- Juego de accesorios de 2 piezas para la fijación en montantes de metal (ACC 215) (El montante de metal no ha sido evaluado por UL)

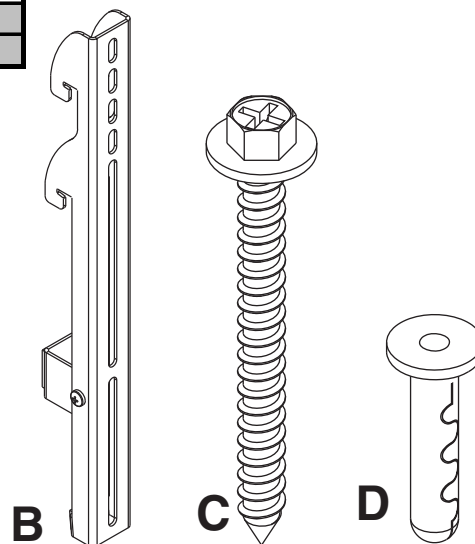
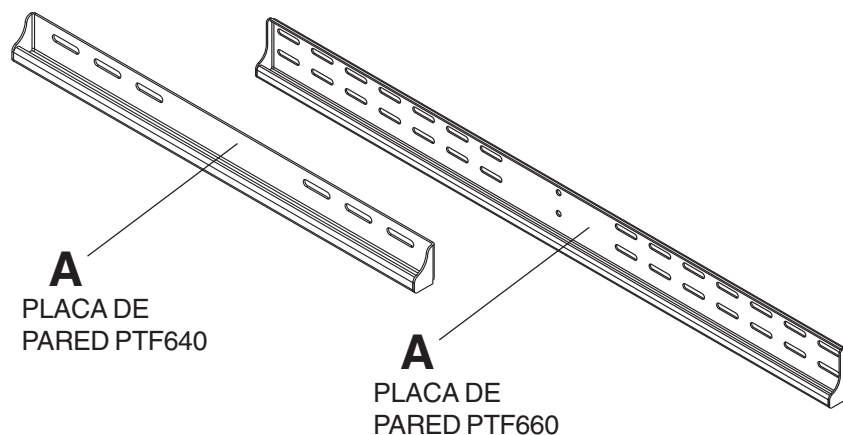
Tabla de contenido

| | |
|--|----|
| Lista de piezas | 12 |
| Instalación en una pared con montantes de madera dobles | 13 |
| Instalación en una pared con montantes de madera triples | 14 |
| Instalación en una pared de concreto macizo o de bloques de hormigón de escorias | 15 |
| Instalación de los soportes verticales | 16 |
| Instalación de la pantalla plana en la placa de pared | 18 |

Para recibir servicio al cliente, llame al (800) 865-2112 o al (708) 865-8870.

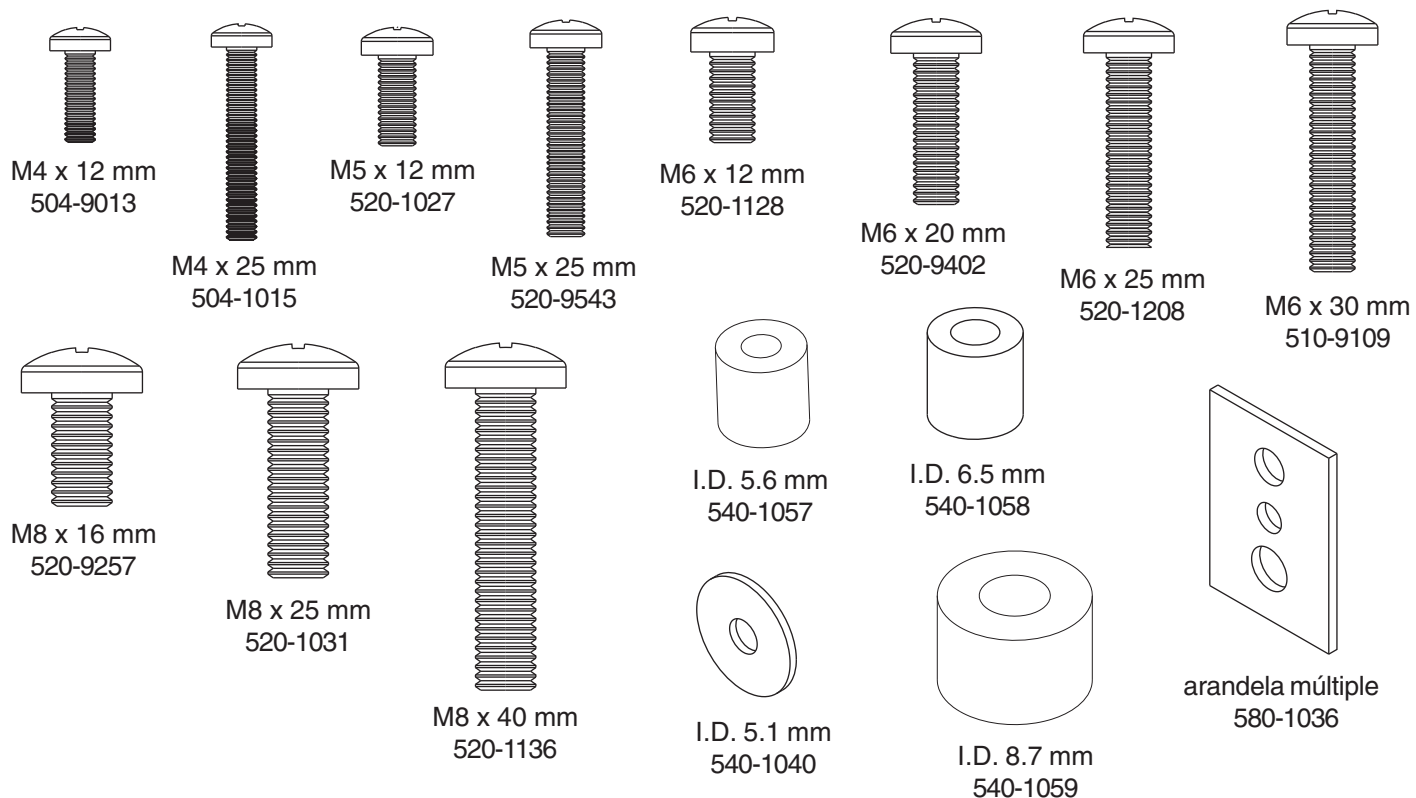
Antes de comenzar, asegúrese de que su producto contiene todas las piezas que se muestran. Las piezas pueden verse un poco distintas a la ilustración.

| Descripción | Cantidad | PFT640 | PFT660 |
|--|----------|--------------|--------------|
| | | N.º de pieza | N.º de pieza |
| A placa de pared | 1 | 201-P1300 | 201-P1311 |
| B soporte vertical | 2 | 201-0370 | 201-0371 |
| C tornillo para madera de 14 x 2.5" | 4 | 5S1-015-C03 | |
| | 6 | 5S1-015-C03 | |
| D anclaje alligator® | 4 | 590-0097 | |
| | 6 | 590-0097 | |



Fijaciones para los soportes adaptadores

Nota: El juego de fijaciones Sorted-for-You™ incluido con este producto fue hecho para su producto específicamente y es posible que no contenga todos los componentes que se muestran abajo.



⚠ ADVERTENCIA

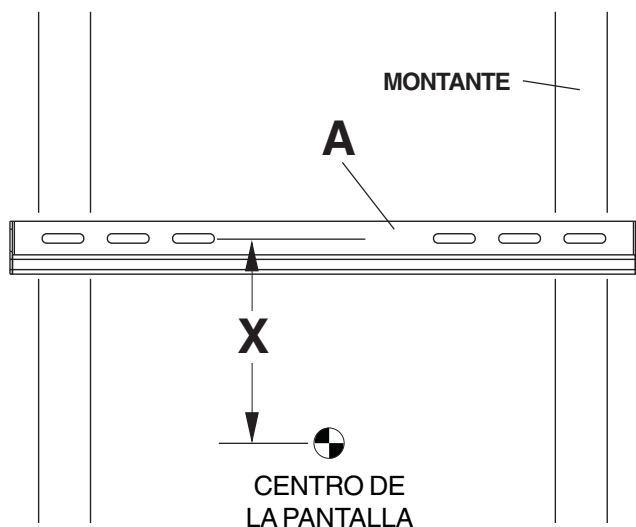
- El instalador tiene que asegurarse de que la superficie de apoyo sostendrá, con seguridad, la carga combinada del equipo y todos los fijadores y componentes.
- Apriete los tornillos de madera de manera que la placa de pared se fije firmemente, pero no en exceso. Apretarlos en exceso puede dañar los tornillos y puede disminuir significativamente su fuerza de fijación.
- Nunca apriete a más de 80 pulg-lb (9 N•m).
- Asegúrese de que los tornillos de montaje estén anclados en el centro del montante. Se recomienda utilizar un localizador de montantes de "borde a borde".
- Los accesorios para la instalación que se proveen son para fijar el soporte a montantes de madera a través de tabique de yeso-cartón o yeso de espesor estándar. Los instaladores son responsables de suministrar los accesorios necesarios para otros tipos de instalaciones.

Nota: Si va a instalar un equipo que pese más de 100 lbs, se recomienda encarecidamente que lo instale en tres (3) montantes.

Pase a la página 14.

- 1** La placa de pared (A) se puede instalar en dos montantes que tengan una separación de 16". Utilice un localizador de montantes para localizar los bordes de los montantes. Se recomienda utilizar un localizador de montantes de "borde a borde". Tomando los bordes como punto de referencia, trace una línea vertical por el centro de cada montante. Coloque la placa de pared contra la pared para utilizarla como plantilla. Las ranuras superiores de montaje deben estar ubicadas encima del punto donde quiere que quede el centro de la pantalla, como se muestra en la figura 1.1. **Nota:** La ubicación de la placa de pared dependerá de la inclinación de la pantalla. Nivele la placa y marque el centro de los dos agujeros de montaje. Asegúrese de que los agujeros de montaje estén sobre las líneas que trazó por el centro de los montantes. Taladre dos agujeros de 5/32" (4 mm) de diámetro y 2-1/2" (65 mm) de profundidad. Asegúrese de que la placa esté nivelada, fíjela utilizando dos tornillos para madera de 14 x 2.5" (C), como se muestra en la ilustración 1.2.

Proceda al paso 2 en la página 16.



| Inclinación | Distancia X |
|-------------|---------------|
| 0° | 5.8" (147 mm) |
| 2° | 2.8" (71 mm) |
| 5° | 5.8" (147 mm) |
| 10° | 2.8" (71 mm) |

fig. 1.1

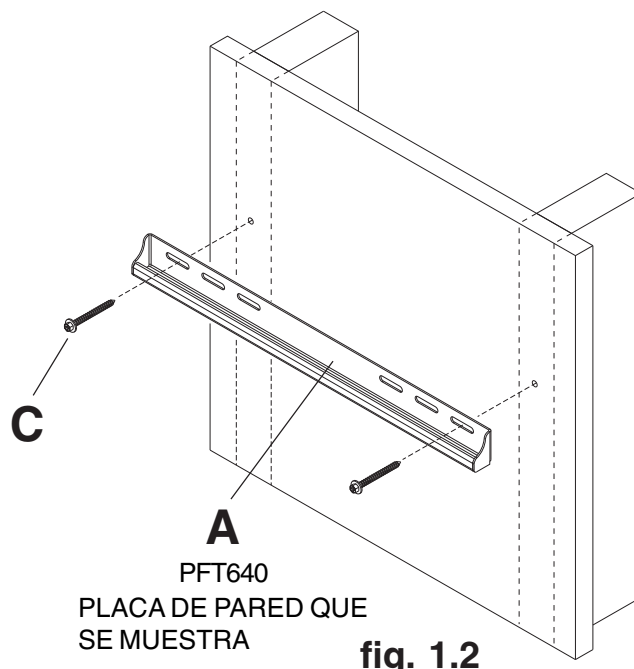


fig. 1.2

⚠ ADVERTENCIA

- El instalador tiene que asegurarse de que la superficie de apoyo sostendrá, con seguridad, la carga combinada del equipo y todos los fijadores y componentes.
- Apriete los tornillos de madera de manera que la placa de pared se fije firmemente, pero no en exceso. Apretarlos en exceso puede dañar los tornillos y puede disminuir significativamente su fuerza de fijación.
- Nunca apriete a más de 80 pulg-lb (9 N•m).
- Asegúrese de que los tornillos de montaje estén anclados en el centro del montante. Se recomienda utilizar un localizador de montantes de "borde a borde".
- Los accesorios para la instalación que se proveen son para fijar el soporte a montantes de madera a través de tabique de yeso-cartón o yeso de espesor estándar. Los instaladores son responsables de suministrar los accesorios necesarios para otros tipos de instalaciones.

1 La placa de pared (**A**) se puede instalar en tres montantes que tengan una separación de 16". Utilice un localizador de montantes para localizar los bordes de los montantes. Se recomienda utilizar un localizador de montantes de "borde a borde". Tomando los bordes como punto de referencia, trace una línea vertical por el centro de cada montante. Coloque la placa de pared contra la pared para utilizarla como plantilla. Las ranuras superiores de montaje deben estar ubicadas encima del punto donde quiere que quede el centro de la pantalla, como se muestra en la figura 1.3. **Nota:** La ubicación de la placa de pared dependerá de la inclinación de la pantalla. Nivele la placa y marque el centro de los seis agujeros de montaje. Asegúrese de que los agujeros de montaje estén sobre las líneas que trazó por el centro de los montantes. Taladre seis agujeros de 5/32" (4 mm) de diámetro y 2-1/2" (65 mm) de profundidad. Asegúrese de que la placa esté nivelada, fíjela utilizando seis tornillos para madera de 14 x 2.5" (**C**), como se muestra en la ilustración 1.4.

Nota: Al instalar un equipo que pese más de 100 lbs, se recomienda encarecidamente que lo instale en tres (3) montantes. Si la instalación se va a hacer en dos (2) montantes, la placa de pared se puede instalar a una distancia de hasta 4" (102 mm) del centro, como se muestra en la figura 1.5.

Proceda al paso 2 en la página 16.

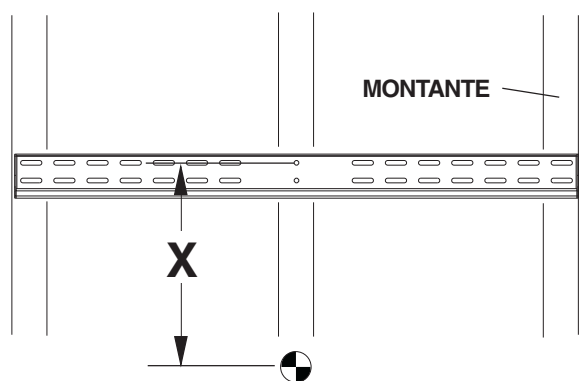


fig. 1.3

CENTRO DE LA PANTALLA

| Inclinación | Distancia X |
|-------------|-------------|
| 0° | 9" (229 mm) |
| 2° | 6" (152 mm) |
| 5° | 9" (229 mm) |
| 10° | 6" (152 mm) |

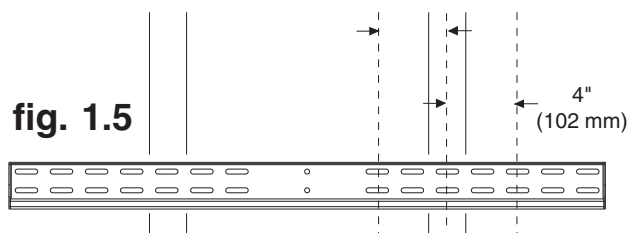


fig. 1.5

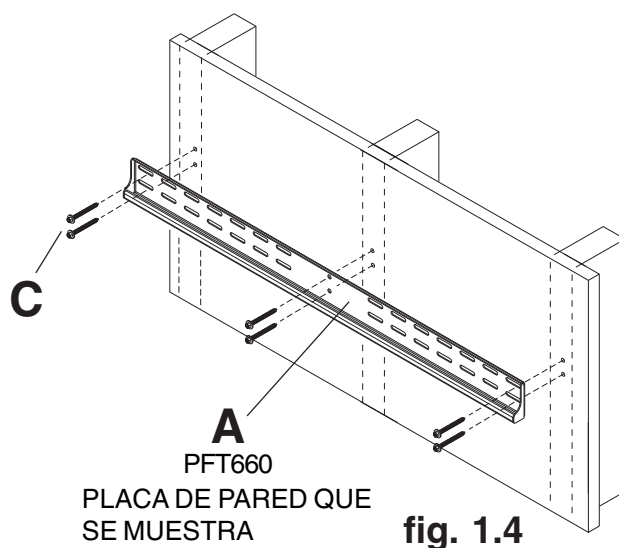


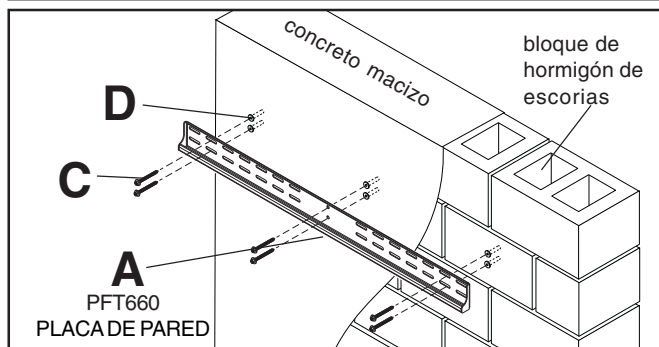
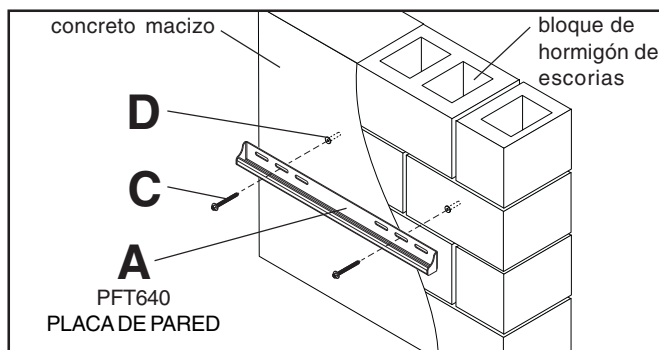
fig. 1.4

Instalación en una pared de concreto macizo o de bloques de hormigón de escorias

⚠ ADVERTENCIA

- Cuando vaya a instalar soportes de pared de Peerless en bloques de hormigón de escorias, asegúrese de que cuente con una capa de concreto de un grosor mínimo de 1-3/8" en el agujero, que pueda usar para los anclajes para concreto. ¡No taladre en juntas de argamasa! Asegúrese de hacer la instalación en la parte sólida del bloque, por lo general, a un mínimo de 1" del extremo del bloque. Los bloques de hormigón de escorias tienen que cumplir las especificaciones de la ASTM C-90. Se sugiere utilizar un taladro eléctrico convencional a baja velocidad para hacer el agujero en vez de un taladro percutor para no perforar el fondo del agujero al entrar en un vacío o una cavidad.
- El concreto tiene que tener una densidad mínima de 2,000 psi. Es posible que un concreto de menos densidad no sostenga el anclaje para concreto.
- Asegúrese de que la superficie de apoyo sostendrá, con seguridad, la carga combinada del equipo y todos los fijadores y componentes.

- 1** Asegúrese de que la placa de pared (A) esté nivelada y utilícela como plantilla para marcar dos agujeros de montaje. El agujero de montaje superior debe quedar encima del punto donde quiere que quede el centro de la pantalla, como se muestra en la figura 1.1 de la página 12 o en la figura 1.3 de la página 13. **Nota:** La ubicación de la placa de pared dependerá de la inclinación de la pantalla. Taladre dos agujeros de 1/4" (6 mm) de diámetro a una profundidad mínima de 2.5" (64 mm). Inserte los anclajes (D) en los agujeros a ras con la pared, como se muestra (a la derecha). Coloque la placa de pared sobre los anclajes y fíjela con los tornillos de 14 x 2.5" (C). Nivele y apriete todas las fijaciones. **NOTA:** Se necesitan seis agujeros y seis juegos de fijaciones para instalar la placa de pared PFT660.

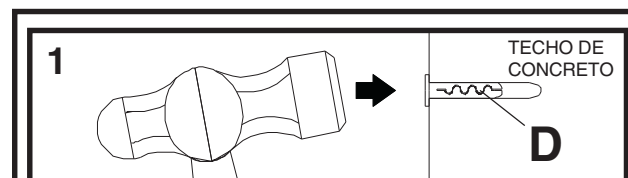
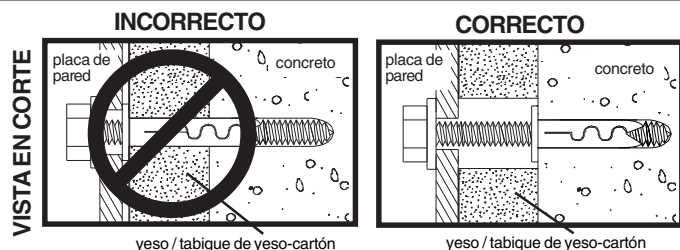


⚠ ADVERTENCIA

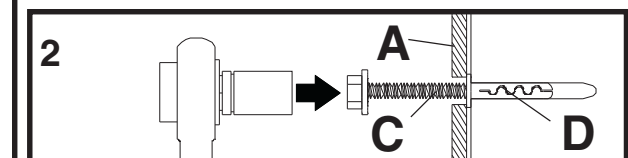
- Apriete los tornillos de manera que la placa de pared se fije firmemente, pero no en exceso. Apretarlos en exceso puede dañar los tornillos y puede disminuir significativamente su fuerza de fijación.
- Nunca apriete a más de 80 pulg-lb (9 N•m).

⚠ ADVERTENCIA

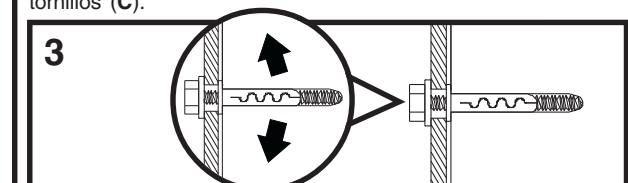
- Siempre fije los anclajes para concreto directamente en la pared que sostiene la carga.
- Nunca fije los anclajes para concreto a una pared de concreto recubierta con yeso, tabique de yeso-cartón u otro material de acabado. Si es inevitable hacer la instalación en una superficie de concreto recubierta con una superficie de acabado, la superficie de acabado tiene que ser escariada, como se muestra abajo. Asegúrese de que los anclajes para concreto no se separen del concreto cuando apriete los tornillos. Si el grosor de la capa de yeso o tabique de yeso-cartón tiene un grosor mayor de 5/8", el instalador tiene que suministrar las fijaciones especiales (no aprobado por UL).



Taladre los agujeros e inserte los anclajes (D).



Coloque la placa (A) sobre los anclajes (D) y fíjela con los tornillos (C).



Apriete todas las fijaciones.

⚠ ADVERTENCIA

- Apriete los tornillos de manera que los soportes adaptadores se fijen con firmeza. No los apriete con fuerza excesiva. Apretar los tornillos en exceso puede causarles daño por forzarlos y puede disminuir significativamente su fuerza de fijación y podría causar el desprendimiento de las cabezas de los tornillos. Apriete los tornillos a un máximo de 40 pulg-lb (4.5 N•m) de par torsor.
- Si no se les da tres vueltas completas a los tornillos en los insertos de la pantalla o si los tornillos topan fondo y el soporte todavía no está firme, se podría dañar la pantalla o el producto podría no funcionar bien.

2 Para no rayar la pantalla, coloque un trapo sobre una superficie plana y nivelada que sostenga el peso de la pantalla. Coloque la pantalla boca abajo. Si la pantalla tiene perillas en la parte trasera, quíteselas para poder fijar los soportes adaptadores. Coloque los soportes verticales (**B**) en la parte trasera de la pantalla. Centralícelos con los agujeros en la parte trasera de la pantalla, como se muestra en la figura 2.1. Fije los soportes verticales en la parte trasera de la pantalla utilizando la combinación adecuada de tornillos, arandelas múltiples y espaciadores, como se muestra en la figura 2.3. **Nota:** Asegúrese de fijar los soportes verticales con los soportes sostenedores de pared ubicados en la parte inferior de la pantalla, como se muestra en la figura 2.1.

Nota: Siempre se tienen que usar los agujeros superiores y los inferiores para la instalación. También se deben usar los agujeros centrales en los casos en los que las fijaciones y las pantallas lo permitan.

Verifique que todos los agujeros estén debidamente alineados y luego apriete los tornillos usando un destornillador phillips.

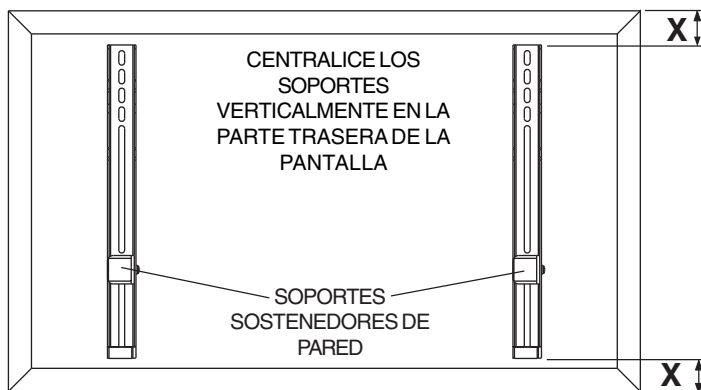


fig. 2.1 **Nota:** Las dimensiones "X" deben ser iguales.

Notas:

- Siempre utilice arandelas múltiples al fijar los soportes verticales (**B**) a la pantalla.
- Utilice el agujero correspondiente de la arandela múltiple que sea del mismo tamaño del tornillo, como se muestra en la figura 2.2.
- Es posible que no necesite usar los espaciadores, dependiendo del tipo de pantalla.

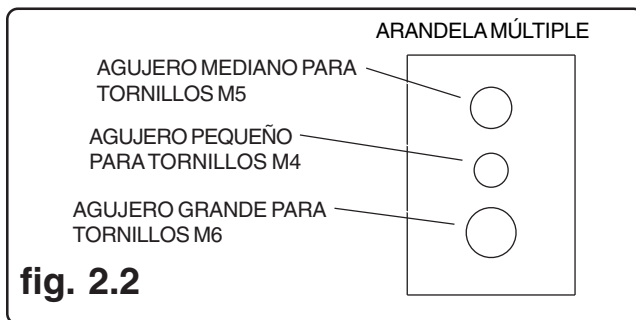


fig. 2.2

NOTA: En el caso de los televisores que tienen la **parte posterior plana**, pase al paso 2-3. En el caso de los televisores que tienen la **parte posterior abultada o empotrada**, pase al paso 2-4.

Instalación de un televisor que tiene la parte posterior plana

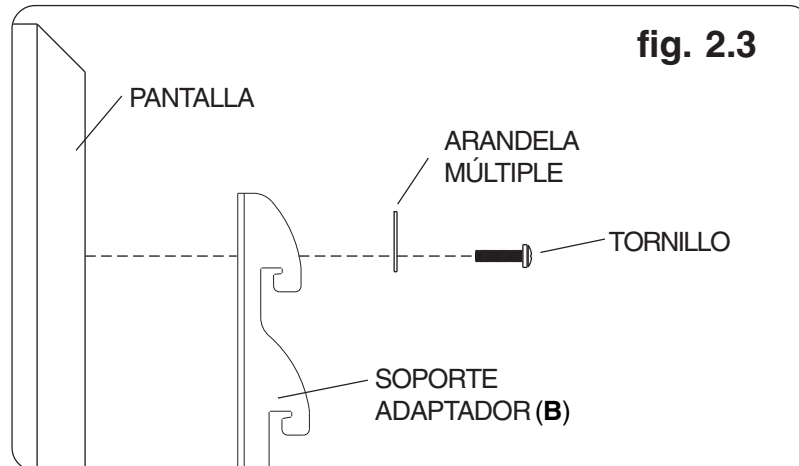
Español

2-3

Refiérase a la **Tabla de compatibilidad de las pantallas** para determinar cuáles son los sujetadores adecuados para usarse. Acceda a www.peerlessmounts.com/1 si se trata de los modelos PFT640 o www.peerlessmounts.com/6 si se trata de los modelos PFT660 para ver una tabla completa de las pantallas compatibles con este soporte.

Comience con uno de los tornillos más cortos, enrósquelo, con la mano, a través de la arandela múltiple y el soporte adaptador a la parte posterior de la pantalla, como se muestra abajo. El tornillo debe dar, por lo menos, tres vueltas completas dentro del agujero de instalación y debe quedar ajustado en su lugar. No apriete los tornillos en exceso. Si el tornillo no puede dar tres vueltas completas al entrar en la parte posterior de la pantalla, seleccione un tornillo más largo de los sujetadores identificados y clasificados en las divisiones del empaque plástico. Siga el mismo procedimiento con los agujeros de instalación restantes, nivele los soportes y apriete los tornillos.

NOTA: Es posible que no necesite usar los espaciadores, dependiendo del tipo de pantalla.



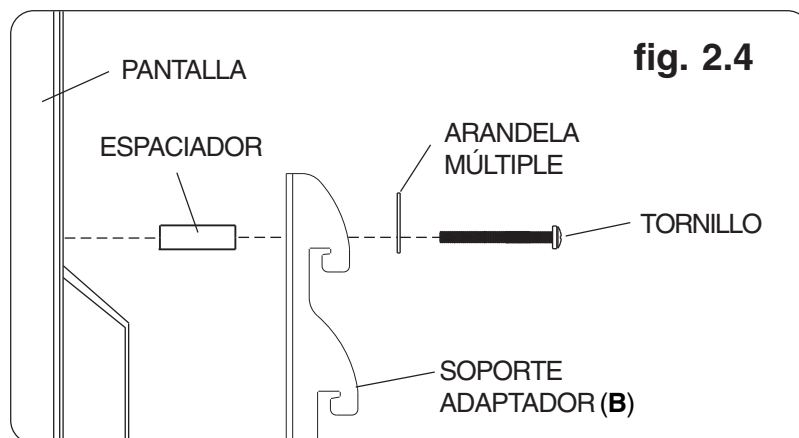
Si tiene alguna pregunta, por favor, llame a Servicio al Cliente de Peerless al **1-800-865-2112**.

Instalación de un televisor que tiene la parte posterior abultada o empotrada

2-4

Refiérase a la **Tabla de compatibilidad de las pantallas** para determinar cuáles son los sujetadores adecuados para usarse. Acceda a www.peerlessmounts.com/1 si se trata de los modelos PFT640 o www.peerlessmounts.com/6 si se trata de los modelos PFT660 para ver una tabla completa de las pantallas compatibles con este soporte.

Comience con uno de los tornillos más largos, enrósquelo, con la mano, a través de la arandela múltiple, el soporte adaptador y el espaciador, en ese orden, a la parte posterior de la pantalla, como se muestra abajo. El tornillo debe dar, por lo menos, tres vueltas completas dentro del agujero de instalación y debe quedar ajustado en su lugar. No apriete los tornillos en exceso. Si el tornillo no puede dar tres vueltas completas al entrar en la parte posterior de la pantalla, seleccione un tornillo más largo de los sujetadores identificados y clasificados en las divisiones del empaque plástico. Siga el mismo procedimiento con los agujeros de instalación restantes, nivele los soportes y apriete los tornillos.



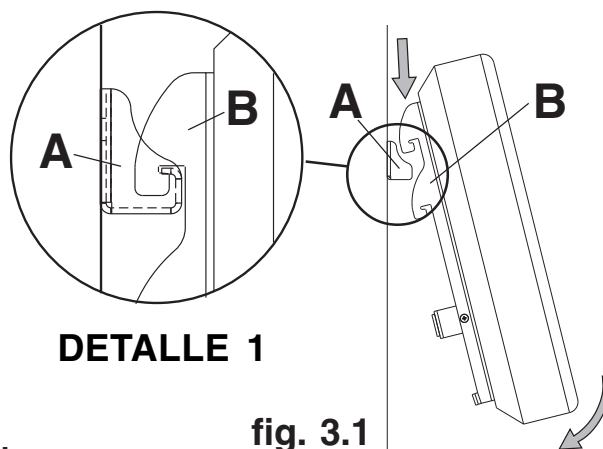
Si tiene alguna pregunta, por favor, llame a Servicio al Cliente de Peerless al **1-800-865-2112**.

⚠ ADVERTENCIA

- Siempre cuente con un asistente o con un equipo mecánico de izar para levantar y colocar el televisor de plasma con más seguridad.

⚠ PRECAUCIÓN

- Tenga cuidado de no pincharse los dedos cuando empuje la pantalla por la parte inferior.

**Instalación de la pantalla plana****3 Para instalar la pantalla sin inclinación o con 2° de inclinación**

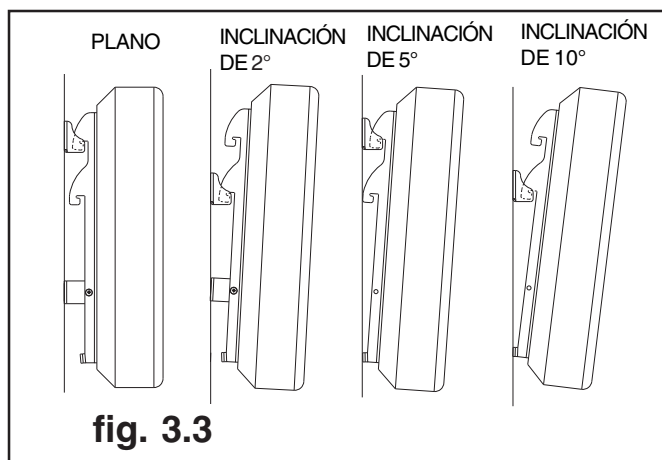
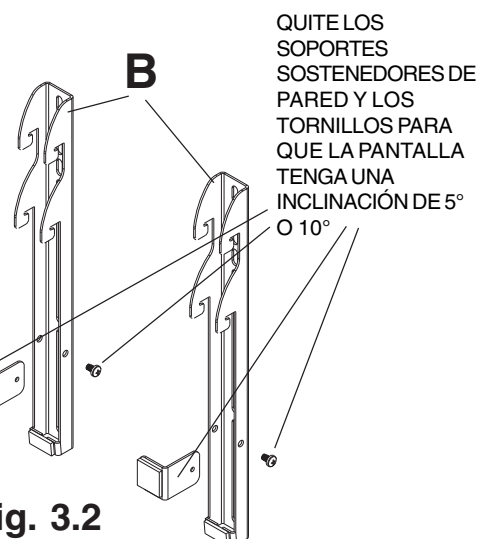
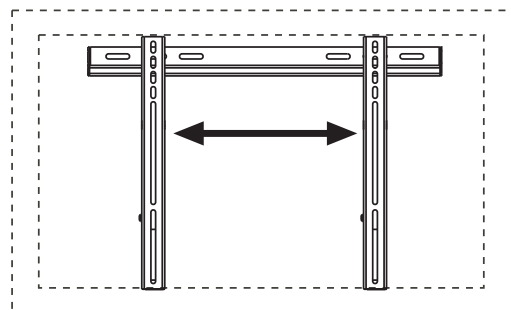
Enganche los soportes verticales (B) en la placa de pared (A) utilizando los ganchos superiores para que la pantalla no tenga inclinación o los ganchos inferiores para que tenga una inclinación de 2°, como se muestra en la figura 3.3. Los ganchos de los soportes verticales tienen que encajar con firmeza en la placa de pared, como se muestra en el detalle 1; entonces empuje la pantalla lentamente hacia la pared, como se muestra en la figura 3.1.

La pantalla se puede ajustar horizontalmente si lo desea, como se muestra en la figura 3.4.

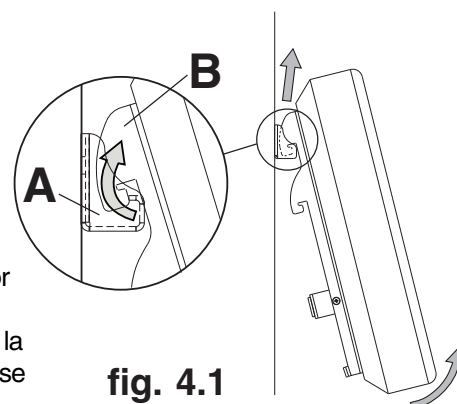
Para instalar la pantalla con 5° o 10° de inclinación

Quite los soportes sostenedores de pared y los tornillos de los soportes verticales, como se muestra en la figura 3.2. Enganche los soportes verticales (B) en la placa de pared (A) utilizando los ganchos superiores para que la pantalla tenga una inclinación de 5° o los ganchos inferiores para que tenga una inclinación de 10°, como se muestra en la figura 3.3. Los ganchos de los soportes verticales tienen que encajar con firmeza en la placa de pared, como se muestra en el detalle 1; entonces empuje la pantalla lentamente hacia la pared, como se muestra en la figura 3.1.

La pantalla se puede ajustar horizontalmente si lo desea, como se muestra en la figura 3.4.

**fig. 3.4****Desinstalación de la pantalla plana**

- 4** Para quitar la pantalla del soporte, hale la pantalla lentamente por la parte inferior para separarla de la pared y empuje suavemente la parte superior de la pantalla hacia la pared para que los ganchos de los soportes verticales (B) se salgan de la placa de pared (A). Levante la pantalla para quitarla de la placa de pared, como se muestra en la figura 4.1.



PARAMOUNTTM by Peerless

Installation et assemblage :

Monture murale plate et inclinable ParamountTM pour écrans LCD et Plasma plats

Ce produit est évalué par l'Underwriter's Laboratory (UL) pour la plage de dimensions d'écrans et la capacité de charge de _____ indiquées dans le tableau ci-dessous

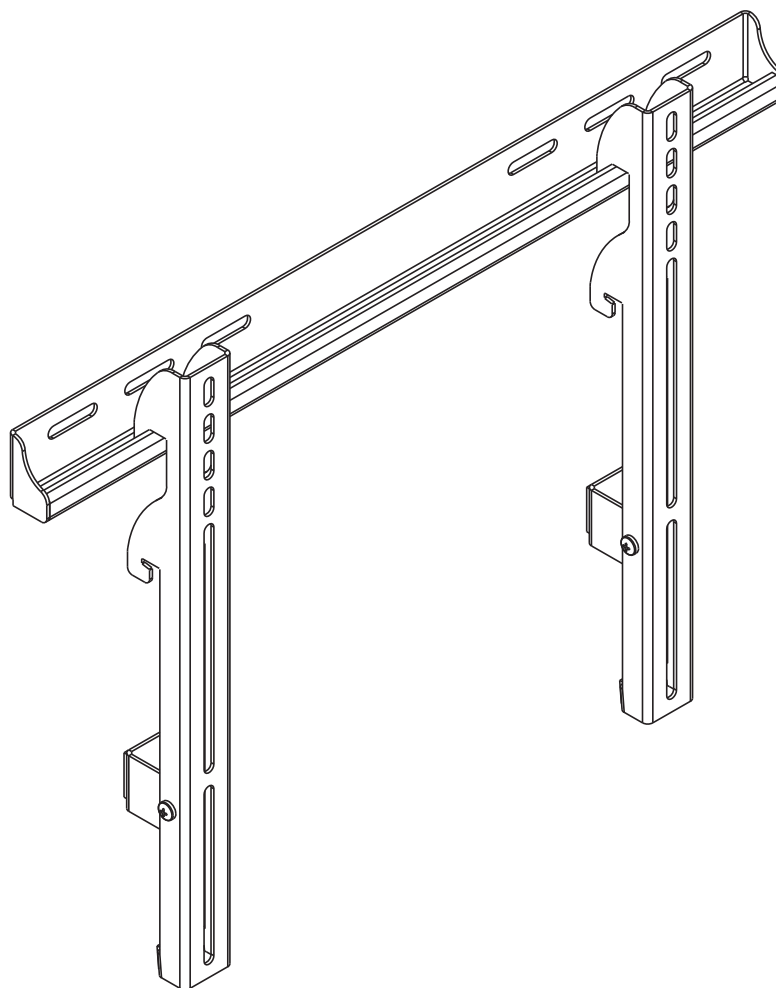


Cet appareil est conçu pour une utilisation avec des produits homologués UL et doit être installé par un installateur professionnel qualifié.

| Modèle n° | Plage de dimensions d'écrans | Capacité de charge maximale établie par l'UL : |
|-----------|----------------------------------|--|
| PFT640 | 57,5 cm (23 po) à 115 cm (46 po) | 45 kg (100 lb) |
| PFT660 | 93,9 cm (37 po) à 150 cm (60 po) | 79 kg (176 lb) |

Caractéristiques :

- Dispositif d'inclinaison intégré plat et fixe
- Inclinaison incrémentielle de 0°, 5° et 10°



⚠ AVERTISSEMENT

- Ne commencez pas à installer votre produit Peerless avant d'avoir lu et assimilé les instructions et les mises en garde contenues dans cette fiche d'installation. Pour toute question concernant les instructions ou les mises en garde, appelez le service à la clientèle de Peerless au 1-800-865-2112.
- Ce produit ne doit être installé que par une personne ayant de bonnes aptitudes en mécanique, expérimentée en travaux de construction élémentaires, et démontrant une parfaite compréhension de ces instructions.
- Assurez-vous que la surface de support pourra soutenir sans danger la charge combinée de l'équipement, de toute sa visserie et de tous ses composants.
- Ne dépassez jamais la capacité de charge maximum établie par l'UL. Reportez-vous à la page 17.
- Si vous effectuez le montage sur un mur à montants en bois, assurez-vous que les vis de montage sont ancrées au centre des montants. L'usage d'un localisateur « bord à bord » est fortement conseillé.
- Pour lever et positionner l'équipement en toute sécurité, faites-vous toujours aider par une autre personne ou utilisez un matériel de levage mécanique.
- Serrez fermement les vis, mais sans excès. Un serrage excessif peut endommager les éléments et en réduire considérablement le pouvoir de maintien.
- Ce produit est conçu uniquement pour un usage intérieur. L'utilisation de ce produit à l'extérieur peut causer une défaillance du produit et des blessures corporelles.
- Ce produit a été conçu et prévu pour être monté sur les surface de support mentionnées ci-après ; la visserie incluse dans ce produit est celle spécifiée sur la fiche d'installation. Pour monter ce produit sur une autre surface de support, adressez-vous au service clientèle de Peerless au 1-800-865-2112.
- Ce produit a été conçu pour être installé sur le type de mur suivant uniquement :

TYPE DE MUR

VISSERIE SUPPLÉMENTAIRE REQUISE

| | |
|---|---|
| <input checked="" type="checkbox"/> Montant en bois | Aucune |
| <input checked="" type="checkbox"/> Poutre en bois | Aucune |
| <input checked="" type="checkbox"/> Béton plein | Aucune |
| <input checked="" type="checkbox"/> Bloc de béton de mâchefer | Aucune |
| <input type="checkbox"/> Montant métallique | Ne fixer qu'avec le kit d'accessoires Peerless pour montants métalliques Adressez-vous au service clientèle pour vous procurer le kit d'accessoires Peerless pour montants métalliques. |
| <input type="checkbox"/> Brique | Adressez-vous au service clientèle |
| <input type="checkbox"/> Autre, ou vous n'êtes pas sûr ? | Adressez-vous au service clientèle |

Outils nécessaires pour l'assemblage

- localisateur de montants (le localisateur de montants « bord à bord » est recommandé)
- tournevis cruciforme
- perceuse
- mèche de 1/4 po pour les murs en béton et les blocs de béton de mâchefer
- mèche de 1/2 po pour les murs à montants métalliques
- mèche de 5/32 po pour les murs à montants métalliques ou à montants en bois
- niveau

Accessoires

- Kit de fixations pour montants métalliques, 4 pièces (ACC 415) (Le montant métallique n'a pas été évalué par l'UL)
- Kit de fixations pour montants métalliques, 2 pièces (ACC 215) (Le montant métallique n'a pas été évalué par l'UL)

Table des matières

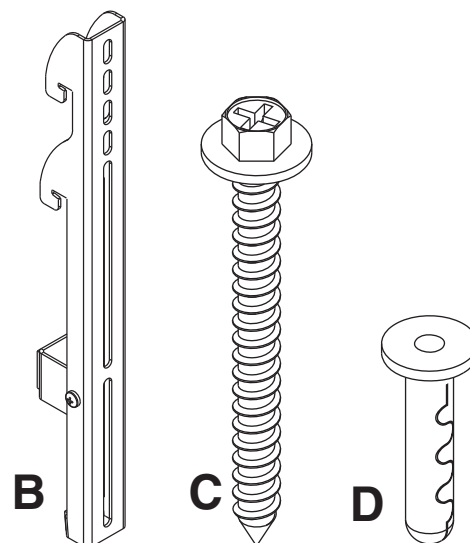
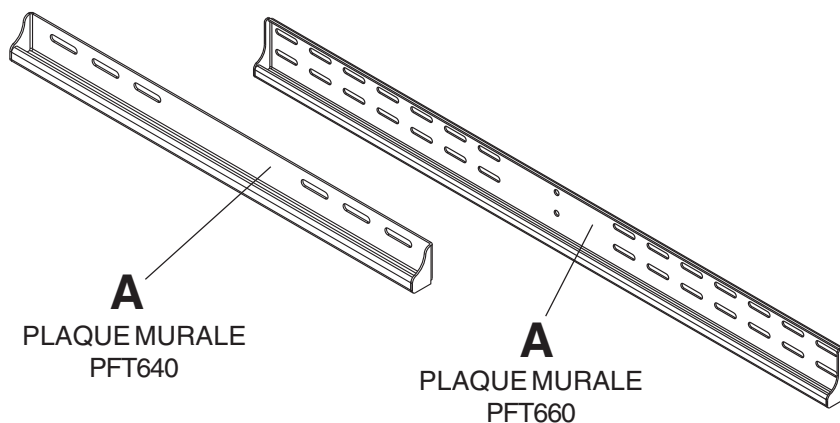
| | |
|---|----|
| Liste des pièces | 21 |
| Installation sur un mur à doubles montants en bois | 22 |
| Installation sur un mur à triples montants en bois | 23 |
| Installation sur du béton plein ou un bloc de béton de mâchefer | 24 |
| Installation de supports verticaux | 25 |
| Installation de l'écran plat sur la plaque murale | 27 |

Pour le service à la clientèle, appelez le (800) 865-2112 ou le (708) 865-8870.

Avant de commencer, assurez-vous que toutes les pièces indiquées sont incluses avec le produit.

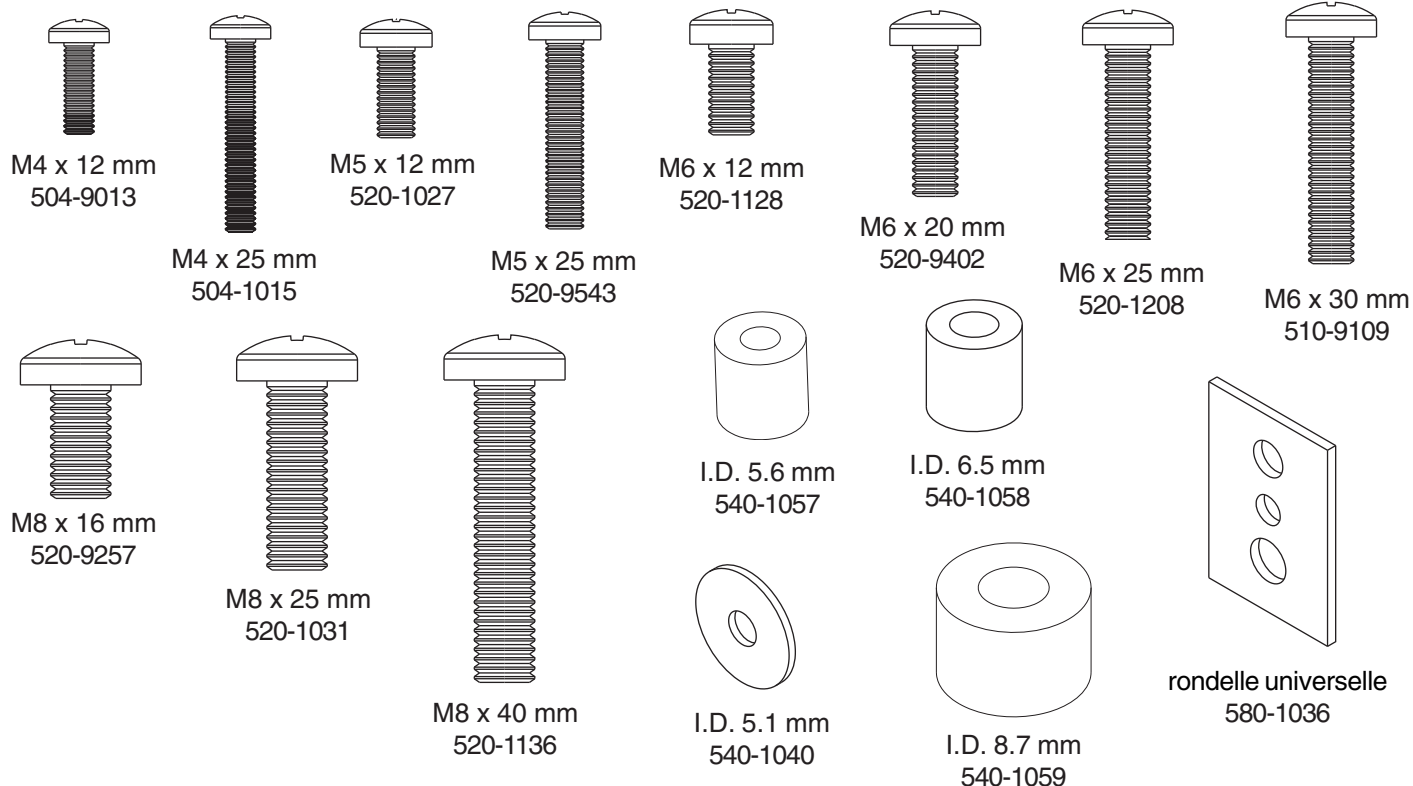
Il est possible que les pièces semblent légèrement différentes de l'illustration.

| Liste des pièces | | PFT640 | PFT660 |
|------------------------------------|-----|-------------|-----------|
| Description | Qté | Pièce n° | Pièce n° |
| A plaque murale | 1 | 201-P1300 | 201-P1311 |
| B support vertical | 2 | 201-0370 | 201-0371 |
| C vis à bois n° 14 x 2,5 po | 4 | 5S1-015-C03 | |
| | 6 | 5S1-015-C03 | |
| D ancrage Alligator® | 4 | 590-0097 | |
| | 6 | 590-0097 | |



Fixations des supports adaptateurs

Remarque : les fixations « sorted-for-you™ » ci- incluses ont été fabriquées spécialement pour votre produit et le paquet peut ne pas contenir tous les composants mentionnés ci-dessous.



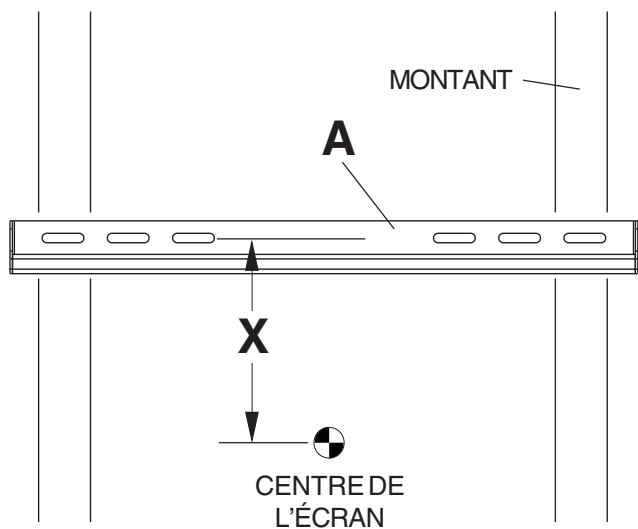
▲ AVERTISSEMENT

- L'installateur doit s'assurer que la surface de support pourra soutenir sans danger la charge combinée de l'équipement, de toute sa visserie et de tous ses composants.
- Serrez les vis à bois de manière que la plaque murale soit fermement fixée, mais sans excès. Un serrage excessif peut endommager les vis et en réduire considérablement le pouvoir de maintien.
- Ne serrez jamais à plus de 9 Nm (80 po-lb).
- Assurez-vous que les vis de montage sont ancrées au centre des montants. L'usage d'un localisateur de montants « bord à bord » est fortement conseillé.
- La visserie est fournie pour fixer la monture à travers une cloison sèche ou du plâtre d'épaisseur standard et dans des montants en bois. Il appartient aux installateurs de fournir la visserie nécessaire pour d'autres types de situations.

Remarque : si le matériel de montage pèse plus de 45 kg (100 lb), il est fortement conseillé d'avoir recours au montage à triples montants.
Allez à la page 23.

1 La plaque murale (A) peut être montée sur deux montants espacés de 40 cm (16 po). Utilisez un localisateur de montants pour repérer les bords des montants. L'usage d'un localisateur bord à bord est fortement conseillé. En fonction de leurs bords, tracez une ligne verticale le long des centres des montants. Utilisez la plaque murale comme gabarit et placez-la sur le mur. Les fentes de montage supérieures doivent se trouver au-dessus du centre souhaité de l'écran, comme illustré à la figure 1.1. **Remarque :** l'inclinaison de l'écran détermine l'emplacement de la plaque murale. Mettez la plaque de niveau et marquez le centre des deux trous de montage. Assurez-vous que les trous de montage se trouvent sur les axes des montants. Percez deux trous de 4 mm (5/32 po) de diamètre et de 65 mm (2 1/2 po) de profondeur. Assurez-vous que la plaque murale est de niveau, fixez-la à l'aide des deux vis à bois n° 14 x 2,5 po (C) comme illustré à la figure 1.2.

Passez à l'étape 2, page 25.



| INCLINAISON | X DISTANCE |
|-------------|---------------|
| 0° | 5.8" (147 mm) |
| 2° | 2.8" (71 mm) |
| 5° | 5.8" (147 mm) |
| 10° | 2.8" (71 mm) |

fig. 1.1

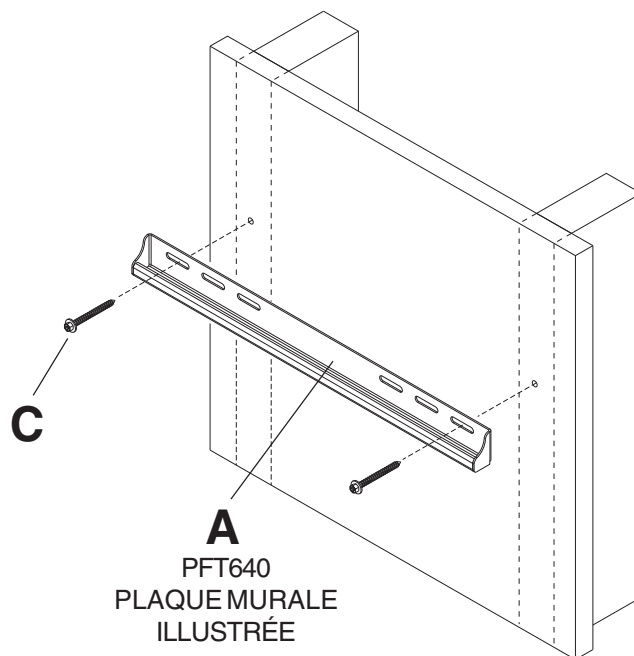


fig. 1.2

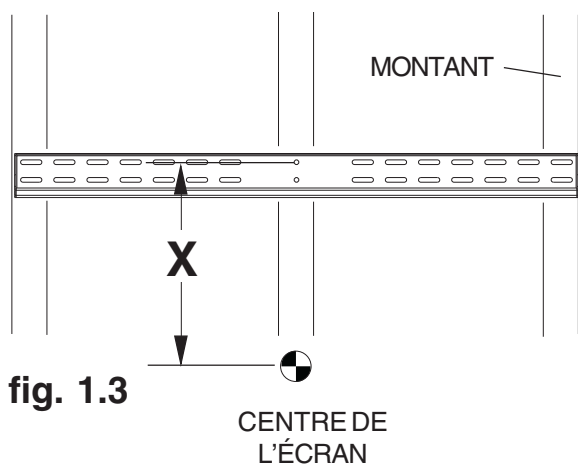
⚠ AVERTISSEMENT

- L'installateur doit s'assurer que la surface de support pourra soutenir sans danger la charge combinée de l'équipement, de toute sa visserie et de tous ses composants.
- Serrez les vis à bois de manière que la plaque murale soit fermement fixée, mais sans excès. Un serrage excessif peut endommager les vis et en réduire considérablement le pouvoir de maintien.
- Ne serrez jamais à plus de 9 Nm (80 po-lb).
- Assurez-vous que les vis de montage sont ancrées au centre des montants. L'usage d'un localisateur de montants « bord à bord » est fortement conseillé.
- La visserie est fournie pour fixer la monture à travers une cloison sèche ou du plâtre d'épaisseur standard et dans des montants en bois. Il appartient aux installateurs de fournir la visserie nécessaire pour d'autres types de situations.

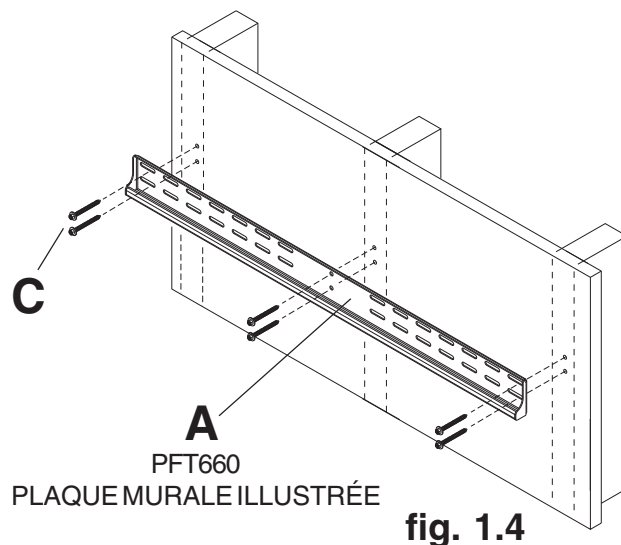
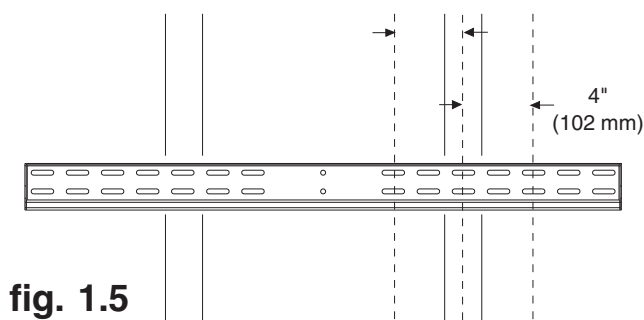
1 La plaque murale (A) peut être montée sur trois montants espacés de 40 cm (16 po). Utilisez un localisateur de montants pour repérer les bords des montants. L'usage d'un localisateur bord à bord est fortement conseillé. En fonction de leurs bords, tracez une ligne verticale le long des centres des montants. Utilisez la plaque murale comme gabarit et placez-la sur le mur. Les fentes de montage supérieures doivent se trouver au-dessus du centre souhaité de l'écran, comme illustré à la figure 1.3. **Remarque** : l'inclinaison de l'écran détermine l'emplacement de la plaque murale. Mettez la plaque de niveau et marquez le centre des six trous de montage. Assurez-vous que les trous de montage se trouvent sur les axes des montants. Percez six trous de 0,4 cm (5/32 po) de diamètre et de 6,25 cm (2 1/2 po) de profondeur. Assurez-vous que la plaque murale est de niveau, fixez-la à l'aide de six vis à bois n° 14 x 2,5 po (C), comme illustré à la figure 1.4.

Remarque : si le matériel de montage pèse plus de 45 kg (100 lb), il est fortement conseillé d'avoir recours au montage à triples montants. La plaque murale peut être décentrée d'un maximum de 10,2 cm (4 po), comme indiqué à la figure 1.5.

Passez à l'étape 2, page 25.



| INCLINAISON | X DISTANCE |
|-------------|-------------|
| 0° | 9" (229 mm) |
| 2° | 6" (152 mm) |
| 5° | 9" (229 mm) |
| 10° | 6" (152 mm) |



⚠ AVERTISSEMENT

- Si vous installez des montures murales Peerless sur un bloc de béton de mâchefer, vérifiez que vous disposez d'une épaisseur de béton d'au moins 0,34 cm (1 3/8 po) dans le trou destiné aux ancrages de béton. Ne percez pas dans les joints de mortier ! Veillez à effectuer le montage dans une partie pleine du bloc, généralement à au moins 2,5 cm (1 po) du côté du bloc. Le bloc de béton de mâchefer doit être conforme aux spécifications de l'ASTM C-90. Pour percer le trou, il est conseillé d'utiliser une perceuse électrique standard sur un réglage bas au lieu d'un marteau perforateur, afin d'éviter de briser la partie arrière du trou lorsque vous pénétrez un vide ou une cavité.
- Le béton doit avoir une densité minimale de 2 000 psi. Un béton de densité moindre risquerait de ne pas retenir un ancrage de béton.
- Assurez-vous que la surface de support pourra soutenir sans danger la charge combinée de l'équipement, de toute sa visserie et de tous ses composants.

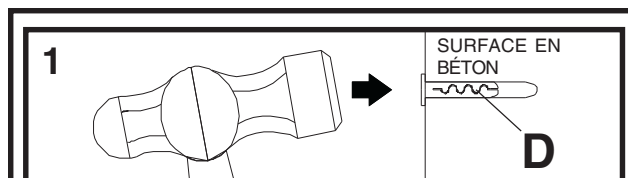
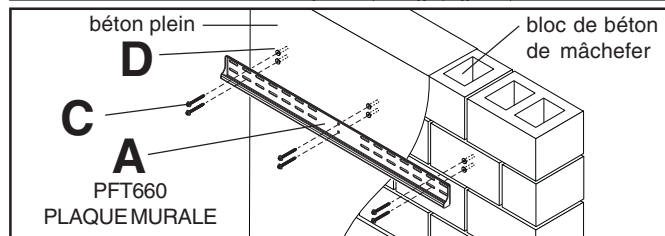
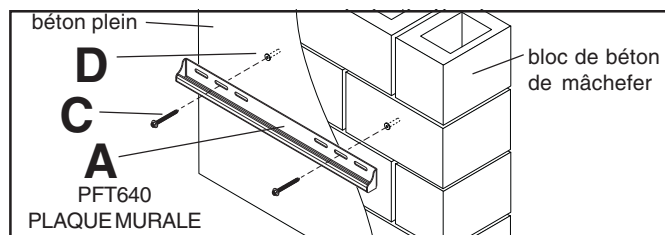
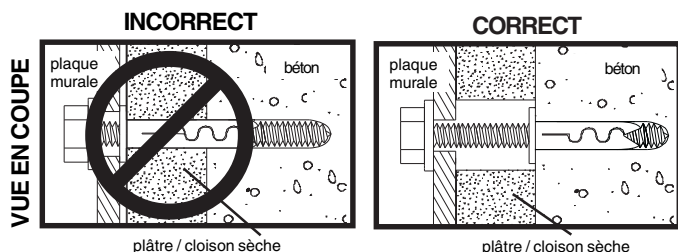
- 1** Assurez-vous que la plaque murale (A) est de niveau, utilisez-la comme gabarit pour marquer les deux trous de montage. Le trou de montage supérieur doit se trouver au-dessus du centre souhaité de l'écran, comme illustré figure 1.1, page 20 ou figure 1.3 page 21. L'inclinaison de l'écran détermine l'emplacement de la plaque murale. Percez deux trous de 6 mm (1/4 po) de diamètre à une profondeur minimum de 6,4 cm (2,5 po). Insérez les ancrages (D) dans les trous au ras du mur, comme illustré (à droite). Placez la plaque murale sur les ancrages et fixez avec des vis n° 14 x 2,5 po (C). Mettez-le de niveau, puis serrez toutes les fixations.

⚠ AVERTISSEMENT

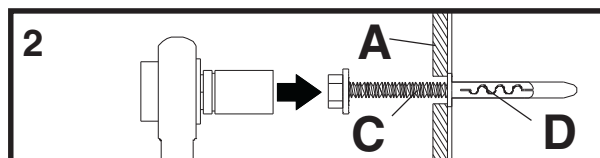
- Serrez les vis de manière que la plaque murale soit fermement fixée, mais sans excès. Un serrage excessif peut endommager les vis et en réduire considérablement le pouvoir de maintien.
- Ne serrez jamais à plus de 9 Nm (80 po-lb).

⚠ AVERTISSEMENT

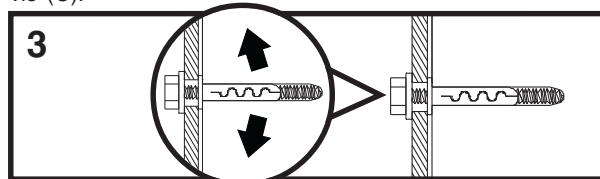
- Fixez toujours des ancrages de béton directement sur du béton porteur.
- Ne fixez jamais d'ancrages sur du béton recouvert de plâtre, une cloison sèche ou autre matériau de finition. Si vous ne pouvez pas éviter d'effectuer le montage sur du béton recouvert d'une surface de finition, celle-ci doit être chambrée, comme indiqué ci-dessous. Assurez-vous que les ancrages de béton ne se séparent pas du béton lorsque vous serrez les vis. Si l'épaisseur du plâtre / de la cloison sèche dépasse 1,5 cm (5/8 po), des fixations adaptées devront être fournies par l'installateur (non approuvées UL).



Percez des trous et insérez les ancrages (D).



Placez la plaque (A) sur les ancrages (D) et fixez avec des vis (C).



Serrez toutes les fixations.

⚠ AVERTISSEMENT

- Serrez les vis de manière à fixer solidement les supports adaptateurs. N'employez pas une force excessive pour ce faire. Un serrage excessif peut causer des contraintes risquant d'endommager les vis, de réduire considérablement leur pouvoir de maintien et d'en détacher les têtes. Serrez les vis à un couple maximum de 4,5 Nm (40 po-lb).
- Si les vis ne sont pas enfoncées de trois tours complets dans les inserts ou si elles sont serrées au maximum sans parvenir à maintenir solidement le support, l'écran peut être abîmé ou le produit détérioré.

2 Pour éviter de rayer l'écran, placez un chiffon sur une surface plate et horizontale capable de supporter le poids de l'écran. Placez l'écran sens dessus dessous. Si l'écran est muni de boutons à l'arrière, enlevez-les pour pouvoir fixer les supports adaptateurs. Placez les supports verticaux (**B**) à l'arrière de l'écran. Alignez-les sur les trous, et centrez-les à l'arrière de l'écran, comme illustré à la figure 2.1. Fixez les supports verticaux à l'arrière de l'écran à l'aide d'un ensemble approprié de vis, de rondelles universelles et de pièces d'écartement, comme illustré à la figure 2.3. **Remarque** : pour fixer les supports verticaux, positionnez les supports muraux au bas de l'écran, comme illustré à la figure 2.1

Remarque : les trous de montage supérieurs et inférieurs doivent être utilisés pour fixer les supports. Les trous centraux doivent aussi être utilisés si les fixations et les écrans le permettent.

Vérifiez que tous les trous sont correctement alignés, puis serrez les vis à l'aide d'un tournevis cruciforme.

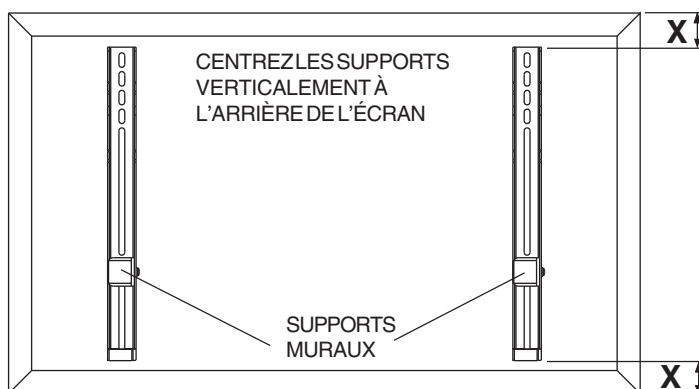


fig. 2.1

Remarque : les dimensions « X » doivent être égales.

Remarques :

- Utilisez toujours des rondelles universelles pour fixer les supports (**B**) sur l'écran.
- Utilisez le trou de la rondelle universelle correspondant à la dimension de la vis, comme illustré à la figure 2.2.
- Il est possible que les pièces d'écartement ne soient pas utilisées, suivant le type d'écran.

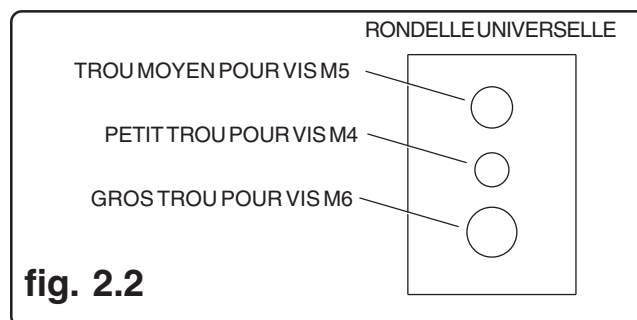


fig. 2.2

REMARQUE : Pour les écrans à dos plat, exécutez l'étape 2-3. Pour les écrans à dos convexes ou concaves passez à l'étape 2-4

Pour les écrans à dos plat

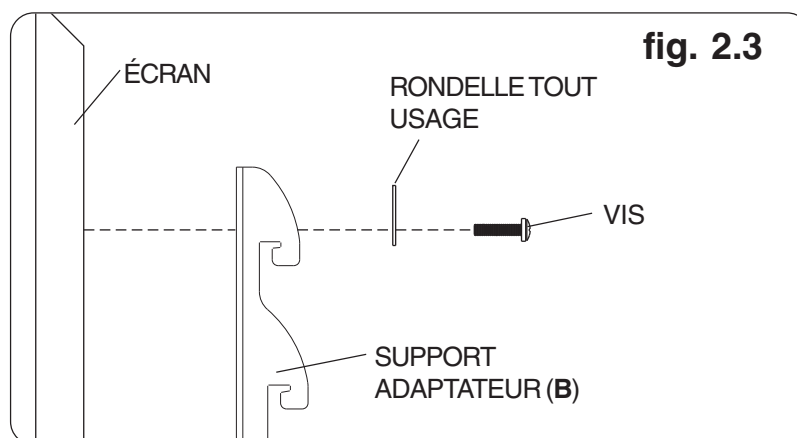
2-3

Le **Tableau de compatibilité avec l'écran** permet de déterminer quelle fixation utiliser.

Visitez www.peerlessmounts.com/1 pour les modèles PFT640 ou www.peerlessmounts.com/6 pour les modèles PFT660 pour obtenir un tableau de compatibilité complet pour ce support.

Commencez par la vis la plus courte et vissez-la manuellement à l'écran en la faisant passer à travers la rondelle tout usage et le support adaptateur, comme indiqué ci-dessous. La vis doit effectuer au moins trois tours complets dans le trou de fixation et tenir solidement en place. Ne pas trop serrer. S'il est impossible d'effectuer trois tours de vis complets, choisissez une vis plus longue dans le jeu de fixations à compartiments. Répétez pour le reste des trous de fixations, mettez les supports à niveau et resserrez les vis.

REMARQUE : Il n'est pas toujours nécessaire d'utiliser des entretoises, selon le type d'écran.



Pour toute question, veuillez appeler le service à la clientèle de Peerless au 1-800-729-0307

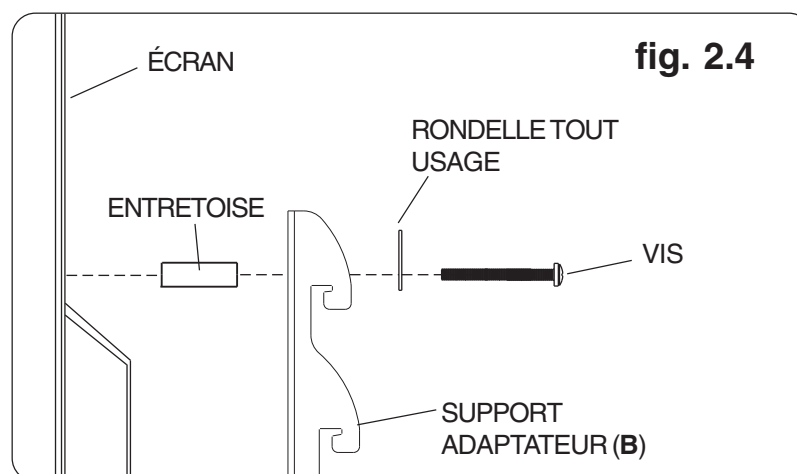
Pour un écran à dos convexe ou concave

2-4

Le **Tableau de compatibilité avec l'écran** permet de déterminer quelle fixation utiliser.

Visitez www.peerlessmounts.com/1 pour les modèles PFT640 ou www.peerlessmounts.com/6 pour les modèles PFT660 pour obtenir un tableau de compatibilité complet pour ce support.

Commencez par la vis la plus longue et vissez-la manuellement à l'écran en la faisant passer à travers la rondelle tout usage, le support adaptateur et l'entretoise comme indiqué ci-dessous. La vis doit effectuer au moins trois tours complets dans le trou de fixation et tenir solidement en place. Ne pas trop serrer. S'il est impossible d'effectuer trois tours de vis complets, choisissez une vis plus longue dans le jeu de fixations à compartiments. Répétez pour le reste des trous de fixations, mettez les supports à niveau et resserrez les vis.



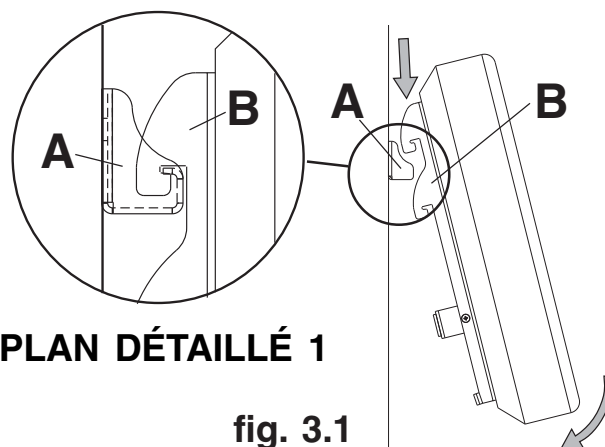
Pour toute question, veuillez appeler le service à la clientèle de Peerless au 1-800-729-0307

⚠ AVERTISSEMENT

- Pour lever et positionner l'écran plasma en toute sécurité, faites-vous toujours aider par une autre personne ou utilisez un matériel de levage mécanique.

⚠ ATTENTION

- Prenez garde à ne pas vous pincer les doigts lorsque vous poussez l'écran depuis le bas.



PLAN DÉTAILLÉ 1

fig. 3.1

Montage de l'écran plat

- 3** Pour monter l'écran sans inclinaison ou à une inclinaison de 2° Accrochez les supports verticaux (B) sur la plaque murale (A) en utilisant les crochets du haut pour installer l'écran sans inclinaison et ceux du bas pour une inclinaison de 2° comme illustré à la figure 3.3. Les crochets des supports verticaux doivent être bien enfoncés dans la plaque murale, comme le montre le plan détaillé 2 ; l'écran pivote alors lentement vers le mur, comme illustré à la figure 3.1
- Au besoin, l'écran peut être ajusté horizontalement, comme illustré à la figure 3.4.

Pour monter l'écran avec une inclinaison de 5 ou 10°

Retirer les supports muraux et les vis des supports verticaux comme illustré à la figure 3.2 Accrochez les supports verticaux (B) sur la plaque murale (A) en utilisant les crochets du haut pour une inclinaison de 5° et ceux du bas pour une inclinaison de 10° comme illustré à la figure 3.3. Les crochets des supports verticaux doivent être bien enfoncés dans la plaque murale, comme le montre le plan détaillé 2 ; l'écran pivote alors lentement vers le mur, comme illustré à la figure 3.1

Au besoin, l'écran peut être ajusté horizontalement, comme illustré à la figure 3.4.

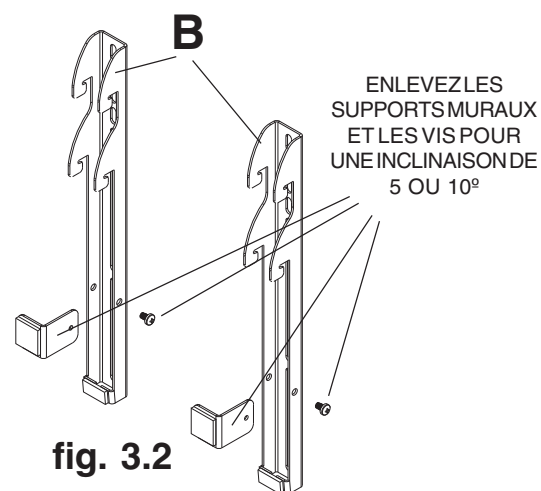


fig. 3.2

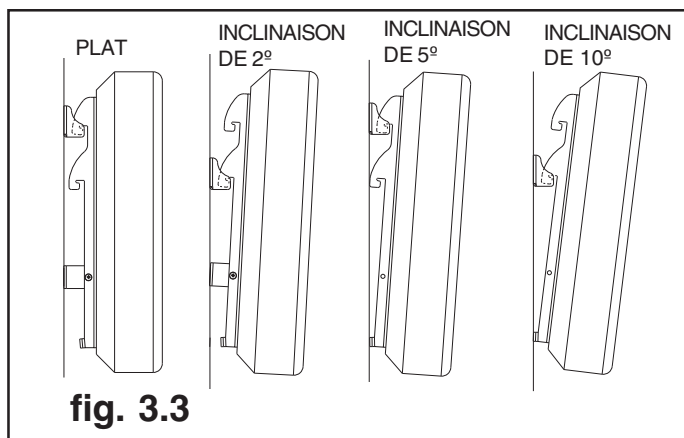


fig. 3.3

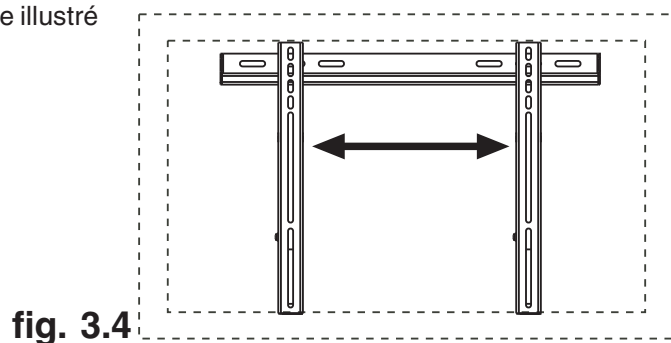


fig. 3.4

Dépose de l'écran plat

- 4** Pour enlever l'écran de la monture, faites pivoter lentement le bas de l'écran pour l'écarter du mur et pousser légèrement le haut de l'écran vers le mur pour désengager les crochets des supports verticaux (B) de la plaque murale (A) Soulevez l'écran pour l'écarter du mur, comme illustré à la figure 4.1

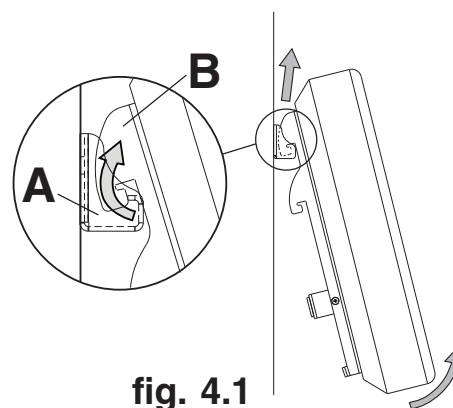


fig. 4.1

Free Manuals Download Website

<http://myh66.com>

<http://usermanuals.us>

<http://www.somanuals.com>

<http://www.4manuals.cc>

<http://www.manual-lib.com>

<http://www.404manual.com>

<http://www.luxmanual.com>

<http://aubethermostatmanual.com>

Golf course search by state

<http://golfingnear.com>

Email search by domain

<http://emailbydomain.com>

Auto manuals search

<http://auto.somanuals.com>

TV manuals search

<http://tv.somanuals.com>