

TECHNICAL DATA SHEET - SolidPoint™ Flat Panel Straight Column Ceiling Mount



MODEL: PLCM 1CP		This product is intended for use with UL Listed products and must be installed by a qualified professional installer.
------------------------	--	---

Model **PLCM 1CP** Ceiling Mount is designed to support 32" to 71" LCD and Flat Panel Screens.

Maximum Load Capacity: 225 lb (102.1 kg)

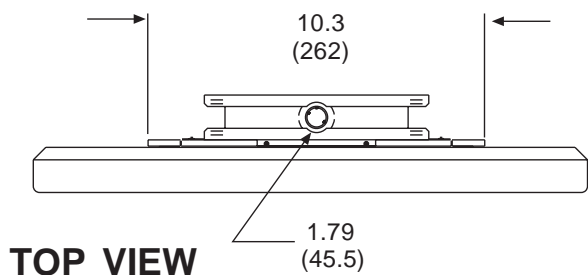
Weight	Shipping Weight	Shipping Carton Dimensions
17.25 lb (7.82 kg)	21 lb (9.5 kg)	36.75 x 11.5 x 3.75 (933 x 292 x 95)
All dimensions: $\frac{\text{inch}}{\text{(mm)}}$ unless otherwise specified		

Features:

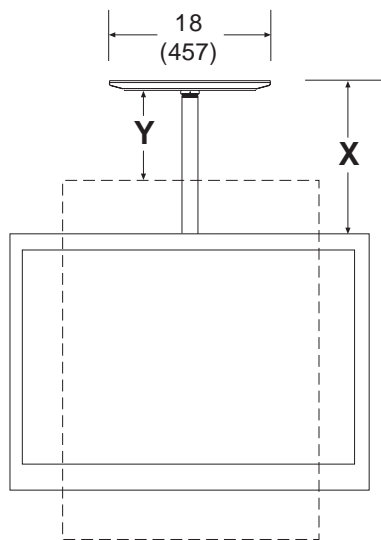
- Heavy gauge cold rolled steel construction.
- Scratch resistant black fused epoxy finish.
- 360° swivel.
- 0° to 20° adjustable tilt.
- Theft-resistant Penta-pin™ security screws.

Accessories:

- ADJ models can be used in conjunction with extension column that comes with product for added length.
- EXT models can be used in place of extension column that comes with product.



TOP VIEW

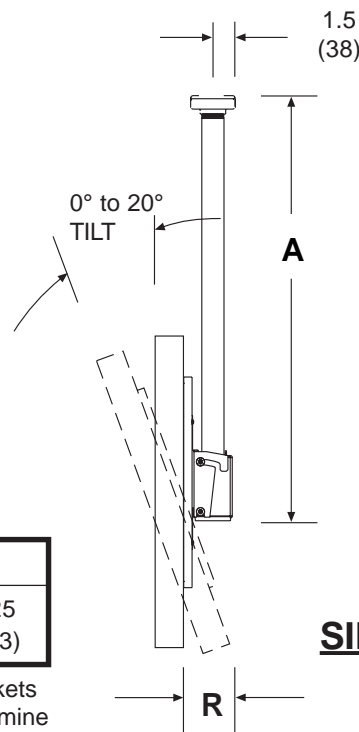


FRONT VIEW

A = 34.5" (876 mm)

Landscape: X = A - (1/2 (height of plasma)) - 2.68" (68 mm)

Portrait: Y = A - (1/2 (width of plasma)) - 2.68" (68 mm)



SIDE VIEW

*RANGE		
R	3.75 (95)	TO 5.25 (133)

*The depth of adapter brackets vary in size which will determine the distance from the back of the plasma to the back of the box.

ARCHITECTS SPECIFICATIONS

The monitor mount shall be a Peerless model **PLCM 1CP** and shall be mounted where indicated on the plans. It shall be constructed of heavy gauge cold rolled steel, steel tubing and finished with scratch resistant Black Fused Epoxy. It shall feature 360° swivel and 0° to 20° range of tilt. Assembly and installation shall be done according to instructions provided by the manufacturer.

Peerless Industries, Inc.
 3215 W. North Ave. Melrose Park, IL 60160
 708-865-8870 800-865-2112 Fax 708-865-2941
www.peerlessmounts.com

Issued: 08-21-02 Sheet No. 200-9715-7 09-30-07

© 2007, Peerless Industries, Inc. All rights reserved.
 All other brand and product names are trademarks or registered trademarks of their respective owners.

Free Manuals Download Website

<http://myh66.com>

<http://usermanuals.us>

<http://www.somanuals.com>

<http://www.4manuals.cc>

<http://www.manual-lib.com>

<http://www.404manual.com>

<http://www.luxmanual.com>

<http://aubethermostatmanual.com>

Golf course search by state

<http://golfingnear.com>

Email search by domain

<http://emailbydomain.com>

Auto manuals search

<http://auto.somanuals.com>

TV manuals search

<http://tv.somanuals.com>