

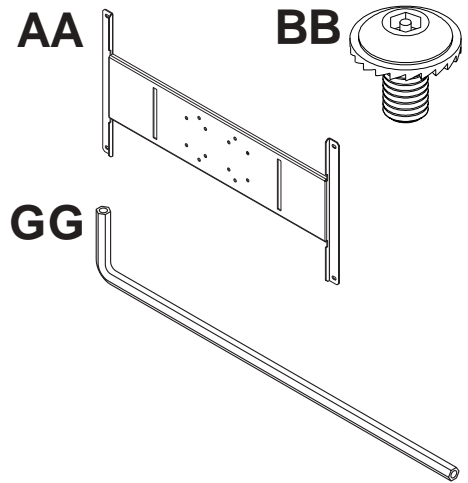
Installation and Assembly - Adapter Bracket for VESA® 800 x 400 Screens

Model: PLP-V8X4

IMPORTANT! Read instruction sheet before you start installation and assembly.

Before you start make sure all parts listed are included with your product.

Parts List		
Description	Qty.	Part #
AA adapter bracket	1	201-1433
BB M6 x 12 mm serrated washer head socket pin screw	4	510-1050
CC M5 x 12 mm serrated washer head socket pin screw	4	510-1064
DD M8 x 15 mm socket pin screw	4	520-1068
EE #10 SAE flat washer	4	540-9400
FF 1/4" SAE flat washer	4	540-9440
GG 4 mm security allen wrench	1	560-9646



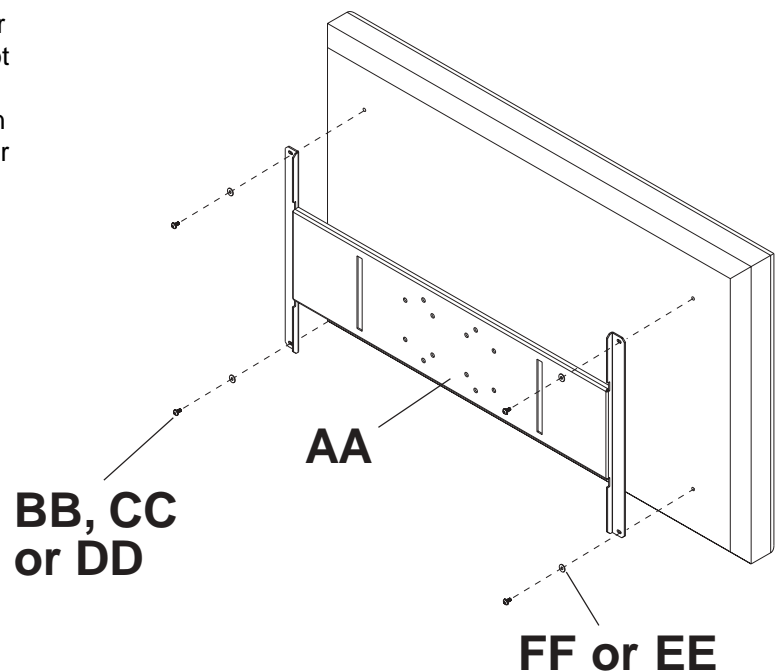
Some parts may appear slightly different than illustrated.

⚠ WARNING

- Do not overtighten. Overtightening may cause permanent damage to the screen. Torque to 26-35 in • lb (30-40 kg • cm).

1 Begin with four M5 x 12 mm serrated washer head socket pin screws (**CC**), hand thread through #10 SAE flat washer (**EE**) and adapter plate (**AA**) into screen as shown below. Do not over tighten. If screw is too small, select four M6 x 12 mm serrated washer head socket pin screws (**BB**) and 1/4" SAE flat washers or four M8 x 15 mm socket pin screws (**DD**). Tighten screws.

NOTE: Screw must make at least three full turns into the mounting hole and fit snug into place. If you have any questions, please call Peerless customer care at **1-800-865-2112**.



NOTE: Spacers may not be used, depending upon the size of screw.

Free Manuals Download Website

<http://myh66.com>

<http://usermanuals.us>

<http://www.somanuals.com>

<http://www.4manuals.cc>

<http://www.manual-lib.com>

<http://www.404manual.com>

<http://www.luxmanual.com>

<http://aubethermostatmanual.com>

Golf course search by state

<http://golfingnear.com>

Email search by domain

<http://emailbydomain.com>

Auto manuals search

<http://auto.somanuals.com>

TV manuals search

<http://tv.somanuals.com>