

## IWB600-WB

# SMART Board SB685 and SB690 mount

## For attachment over a marker board/chalkboard

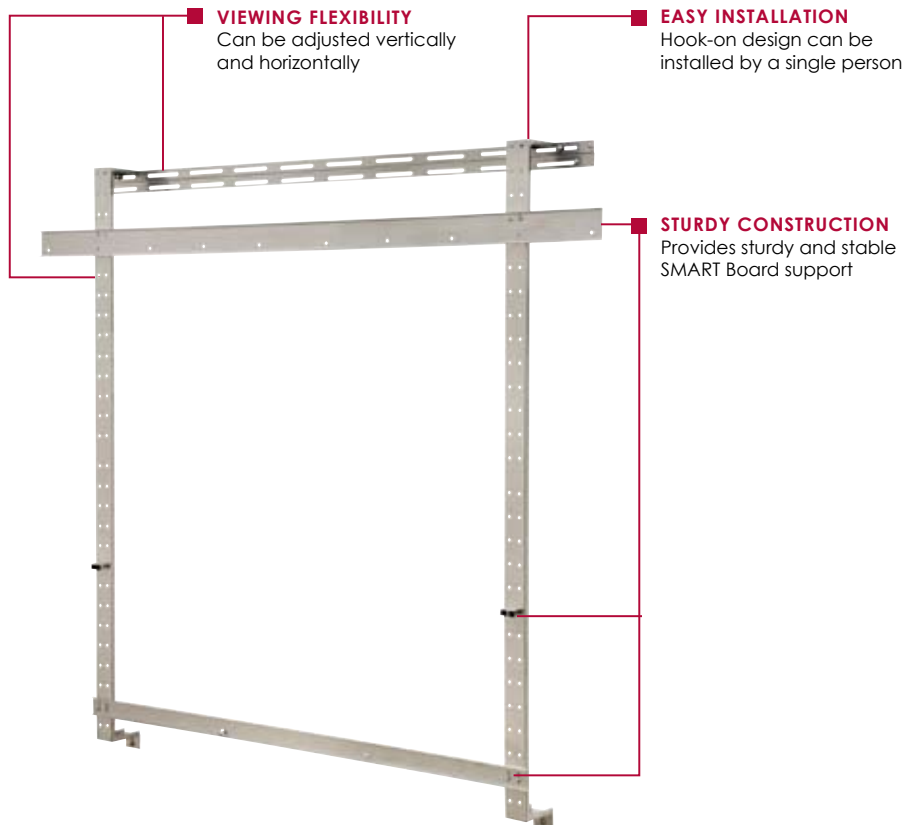
The IWB600-WB wall mount for SMART Boards models SB685 and SB690 is the cost-effective solution for effortlessly adding interactive SMART Boards to classrooms or boardrooms. Designed to fit directly over the existing chalkboard, these SMART Board mounts are easy to install and simple to adjust.



Max load: 50lb (22kg)

### FEATURES

- Compatible with 87" SMART Board SB685 and 94" SMART Board SB690
- Hook-on design allows for single person installation
- Vertical and horizontal SMART Board adjustment
- Mounts over the existing marker board/chalkboard



Clean Installation



Image Stability



Safety Lock



**IWB600-WB:** SMART Board SB685 and SB690 mount for attaching over a marker board/chalkboard

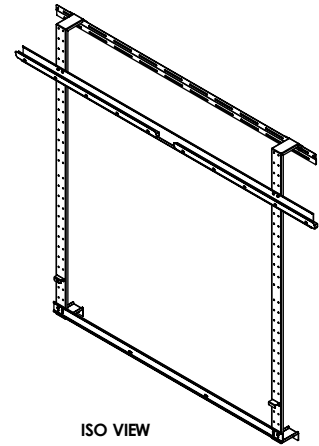
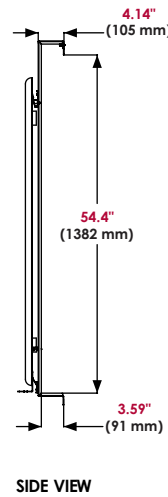
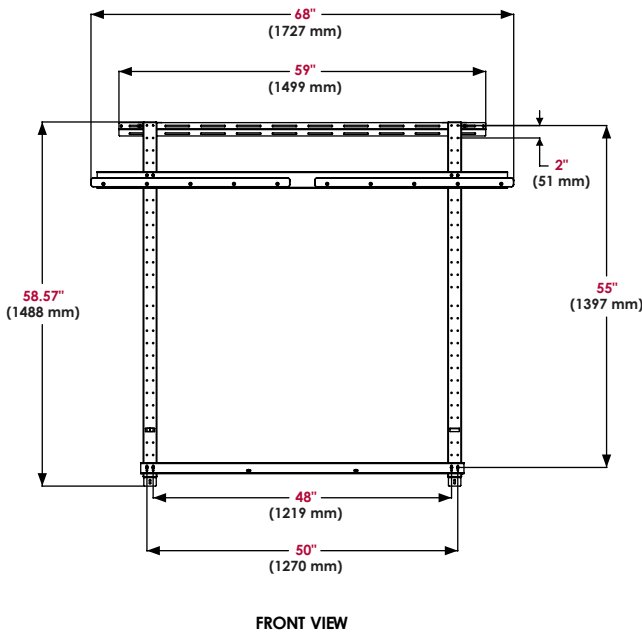
**Product Specifications**

	DIMENSIONS (W x H x D)	PRODUCT WEIGHT	LOAD CAPACITY	FINISH	AVAILABLE COLORS
<b>IWB600-WB</b>	59.0" x 58.5" x 4.0" (1499 x 1486 x 102mm)	20lb (9kg)	50lb (22kg)	Powder coat	Silver

**Package Specifications**

	PACKAGE SIZE (W x H x D)	PACKAGE SHIP WEIGHT	PACKAGE UPC CODE	PACKAGE CONTENTS	UNITS IN PACKAGE
<b>IWB600-WB</b>	17.0" x 5.0" x 68.0" (432 x 127 x 1727mm)	23lb (10kg)	735029269717	Wall Bracket, Vertical Rails, Horizontal Rails and Fasteners to attach to the screen	1

All dimensions = inch (mm)



**ARCHITECTS SPECIFICATIONS**

The Wall Mount for SMART Boards SB685/SB690 shall be a Peerless model IWB600-WB and shall be located where indicated on the plans. The finish shall be scratch resistant silver. Assembly and installation shall be done according to instructions provided by the manufacturer.

## Free Manuals Download Website

<http://myh66.com>

<http://usermanuals.us>

<http://www.somanuals.com>

<http://www.4manuals.cc>

<http://www.manual-lib.com>

<http://www.404manual.com>

<http://www.luxmanual.com>

<http://aubethermostatmanual.com>

Golf course search by state

<http://golfingnear.com>

Email search by domain

<http://emailbydomain.com>

Auto manuals search

<http://auto.somanuals.com>

TV manuals search

<http://tv.somanuals.com>