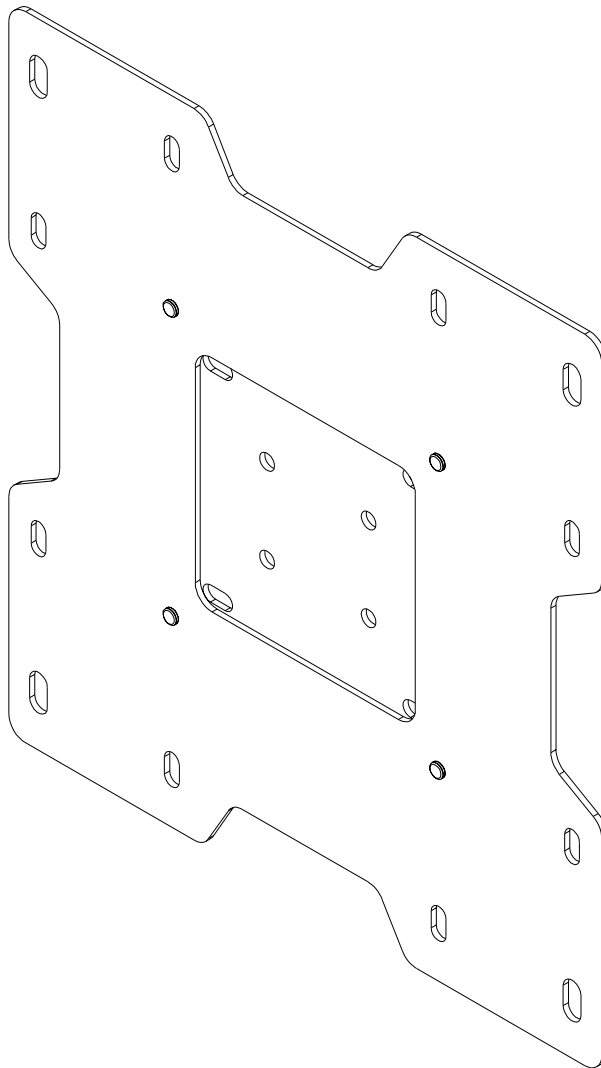


Installation and Assembly:

SmartMount™

Universal Flat Wall Mount for 10" - 37" LCD Flat Panel Screens

Models: SF 635P, SF 635P-S, SF 635, SF 635-S, SF 632P, SF 632P-S, SF 632, SF 632-S



Features:

- For 10" to 37" flat panel screens
- Ultra-slim design holds the screen flat against the wall



This product is UL Listed. It must be installed by a qualified professional installer.

Max UL Load Capacity: 115 lb (52.2 kg)

Note: Read entire instruction sheet before you start installation and assembly.

WARNING

- Do not begin to install your Peerless product until you have read and understood the instructions and warnings contained in this Installation Sheet. If you have any questions regarding any of the instructions or warnings, please call Peerless customer care at 1-800-729-0307.
- This product should only be installed by a qualified professional.
- Make sure that the wall will safely support the combined load of the equipment and all attached hardware and components.
- Never exceed the Maximum UL Load Capacity of 115 lb (52.2 kg).
- If mounting to wood wall studs, make sure that mounting screws are anchored into the center of the studs. Use of an "edge to edge" stud finder is highly recommended.
- Always use an assistant or mechanical lifting equipment to safely lift and position equipment.
- Tighten screws firmly, but do not overtighten. Overtightening can damage the items, greatly reducing their holding power.

Tools Needed for Assembly

- stud finder ("edge to edge" stud finder is recommended)
- phillips screwdriver
- drill
- 1/4" bit for concrete and cinder block wall
- 5/32" bit for wood stud wall
- level

Accessories

- Metal Stud Fastener Kit (ACC 215) (Not evaluated by UL)
- Video Conferencing Shelf (ACC 309) (Not evaluated by UL)
- Accessory Shelves (PM 600, PM 610) (Not evaluated by UL)

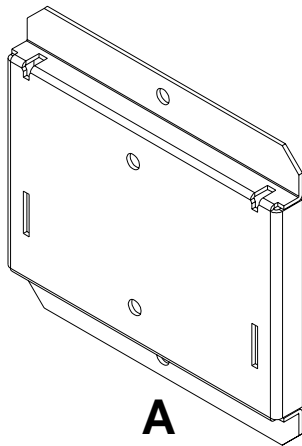
Table of Contents

Parts List	3
Installation to Single Wood Stud Wall	4
Installation to Solid Concrete or Cinder Block	5
Attaching Adapter Plate to Screen with VESA 200 or 200 x 200 Mounting Pattern	6
Attaching Hook Bracket to Screen with VESA 75 or 100 Mounting Pattern	7
Installing and Removing Flat Panel Screen	8

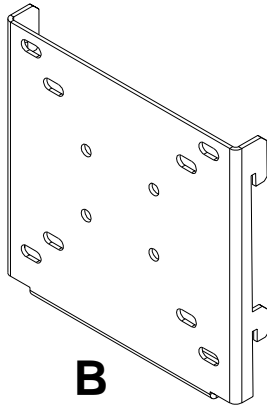
For customer care call (800) 729-0307 or (708) 865-8870.

Parts List

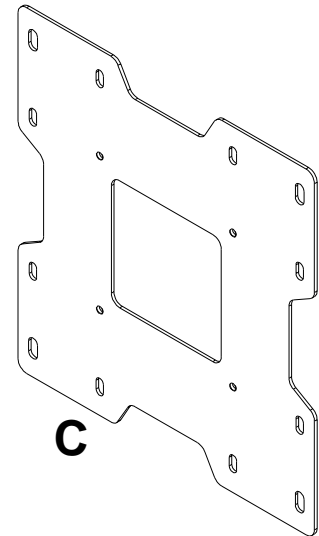
Description	Qty	SF 635P, SF 632P	SF 635P-S, SF 632P-S	SF 635, SF 632	SF 635-S, SF 632-S
		Part #	Part #	Part #	Part #
A wall plate	1	095-1320	095-4320	095-1320	095-4320
B hook bracket	1	095-1321	095-4321	095-1321	095-4321
C adapter plate	1	095-1322	095-4322	095-1322	095-4322
D M5 x 12 mm screw	2	520-1027	520-1027	520-1064	520-1064
E M5 x 6 mm phillips screw	4	520-1023	520-1023	520-1023	520-1023
F #10 SAE washer	4	540-9400	540-9400	540-9400	540-9400
G #14 x 2.5" hex head wood screw	2	5S1-015-C03	5S1-015-C03	5S1-015-C03	5S1-015-C03
H Alligator® anchor	2	590-0097	590-0097	590-0097	590-0097
I M6 x 12 mm phillips screw	4	520-1128	520-1128	520-1128	520-1128
J M6 x 20 mm phillips screw	4	520-9402	520-9402	520-9402	520-9402
K M6 x 30 mm phillips screw	4	510-9109	510-9109	510-9109	510-9109
L M4 x 10 mm phillips screw	4	504-9012	504-9012	504-9012	504-9012
M M4 x 20 mm phillips screw	4	504-9020	504-9020	504-9020	504-9020
N .198" ID x .313" OD x .437" H retaining spacer	4	590-5005	590-5005	590-5005	590-5005
O 4 mm security allen wrench	1			560-1145	560-1145



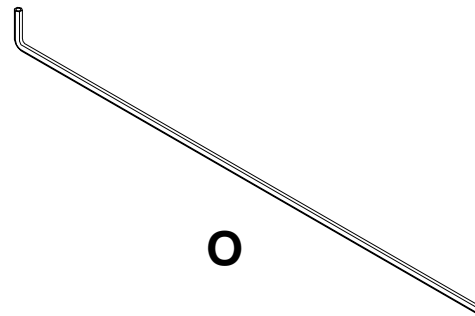
A



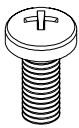
B



C



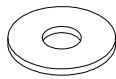
O



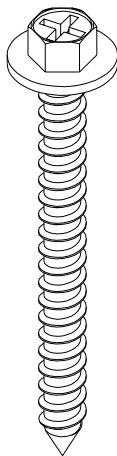
D



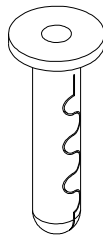
E



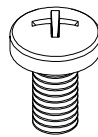
F



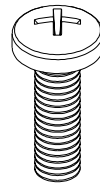
G



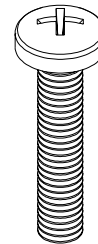
H



I



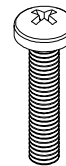
J



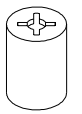
K



L



M



N

Installation to Single Wood Stud Wall

⚠ WARNING

- Make sure that the wall will safely support the combined load of the equipment and all attached hardware and components.

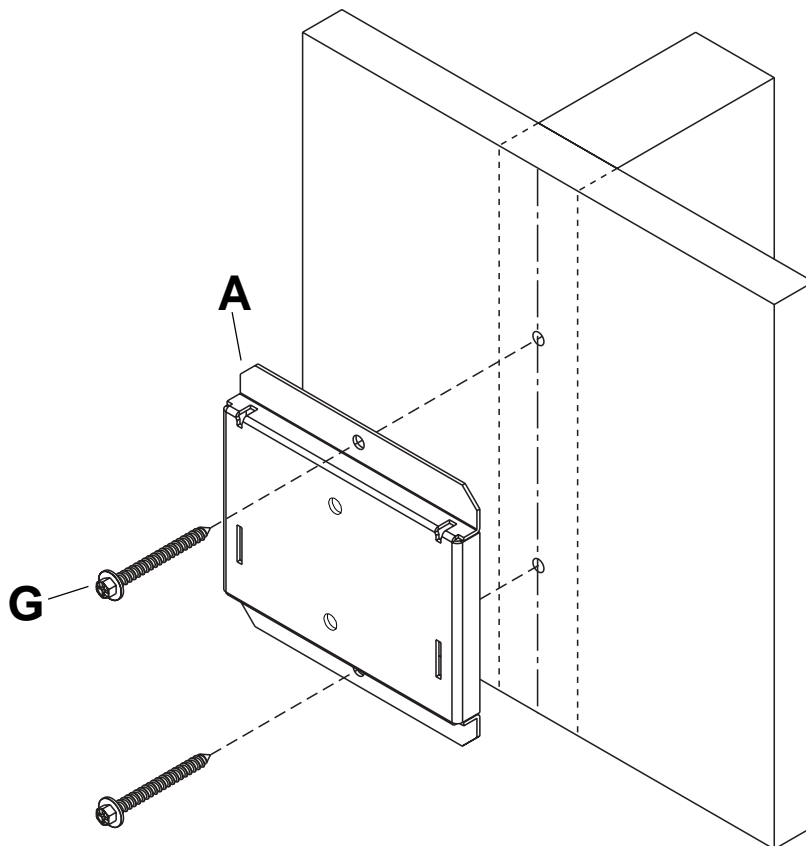
1 Use a stud finder to locate the edges of the stud. Use of an edge-to-edge stud finder is highly recommended. Based on its edges, draw a vertical line down the stud's center. Place wall plate (**A**) on wall as a template, making sure that the two mounting holes are over the stud centerline. Level plate, and mark the center of the two holes. Drill two 5/32" (4 mm) dia. holes 2-1/2" (65 mm) deep. Make sure that the wall plate is level, secure it using two #14 x 2.5" wood screws (**G**) as shown.

Skip to step 2 on page 6 for VESA 200 mm and 200 mm x 200 mm patterns.

Skip to step 2 on page 7 for VESA 75 mm and 100 mm patterns.

⚠ WARNING

- Tighten wood screws so that wall plate is firmly attached, but do not overtighten. Overtightening can damage the screws, greatly reducing their holding power.
- Never tighten in excess of 80 in. • lb (9 N.M.).
- Make sure that mounting screws are anchored into the center of the stud. The use of an "edge to edge" stud finder is highly recommended.
- Hardware provided is for attachment of mount through standard thickness drywall or plaster into wood studs. Installers are responsible to provide hardware for other types of mounting situations.



Installation to Solid Concrete or Cinder Block

⚠ WARNING

- When installing Peerless wall mounts on cinder block, verify that you have a minimum of 1-3/8" of actual concrete thickness in the hole to be used for the concrete anchors. Do not drill into mortar joints! Be sure to mount in a solid part of the block, generally 1" minimum from the side of the block. Cinder block must meet ASTM C-90 specifications. It is suggested that a standard electric drill on slow setting is used to drill the hole instead of a hammer drill to avoid breaking out the back of the hole when entering a void or cavity.
- Concrete must be 2000 psi density minimum. Lighter density concrete may not hold concrete anchor.
- Make sure that the wall will safely support four times the combined load of the equipment and all attached hardware and components.

1 Make sure that wall plate (A) is level, use it as a template to mark two mounting holes. Drill two 1/4" (6 mm) dia. holes to a minimum depth of 2.5" (64 mm). Insert anchors (H) in holes flush with wall as shown (right). Place wall plate over anchors and secure with two #14 x 2.5" screws (G). Level, then tighten all fasteners.

Skip to step 2 on page 6 for VESA 200 mm and 200 mm x 200 mm patterns.

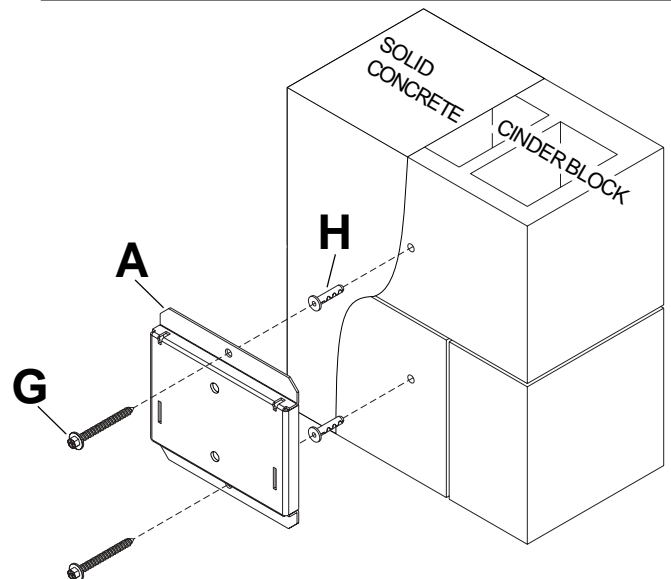
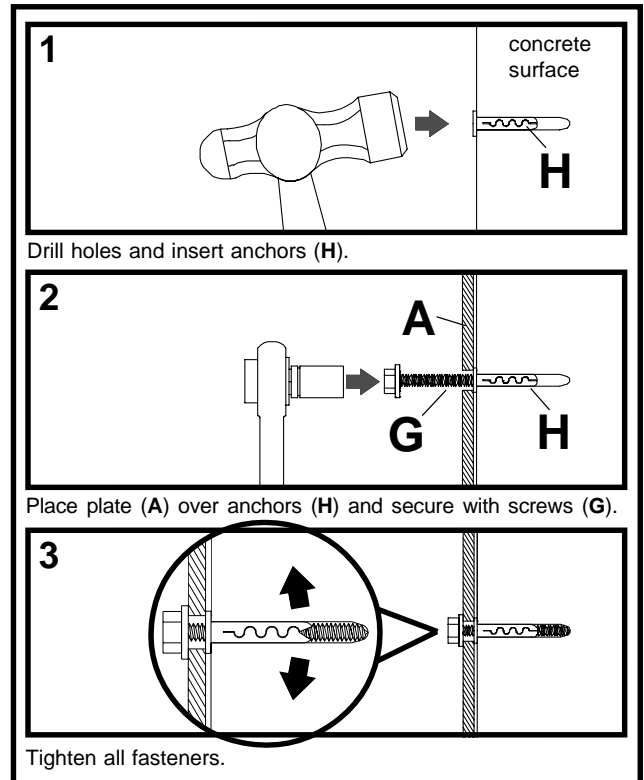
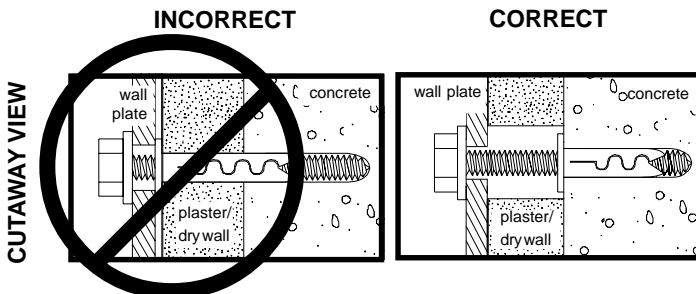
Skip to step 2 on page 7 for VESA 75 mm and 100 mm patterns.

⚠ WARNING

- Tighten screws so that wall plate is firmly attached, but do not overtighten. Overtightening can damage screws, greatly reducing their holding power.
- Never tighten in excess of 80 in. • lb (9 N.M.).

⚠ WARNING

- Always attach concrete expansion anchors directly to load-bearing concrete.
- Never attach concrete expansion anchors to concrete covered with plaster, drywall, or other finishing material. If mounting to concrete surfaces covered with a finishing surface is unavoidable, the finishing surface must be counterbored as shown below. Be sure concrete anchors do not pull away from concrete when tightening screws. If plaster/drywall is thicker than 5/8", custom fasteners must be supplied by installer.

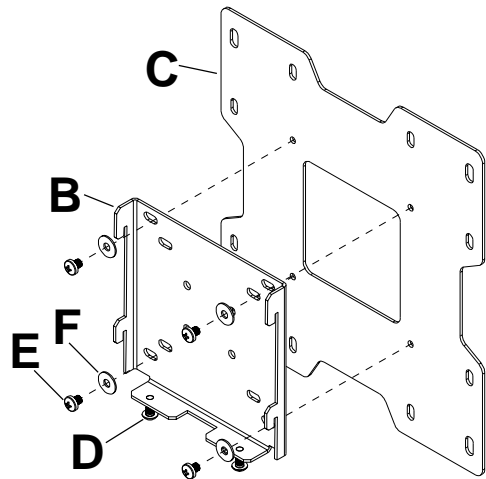


Attaching Adapter Plate to Screen with VESA 200 or 200 x 200 Mounting Pattern

Note: For VESA 75 mm and 100 mm patterns, see following page.

- 2** Thread M5 socket pin screws (**D**) to hook bracket (**B**) making the screws flush with bracket as shown.

Attach hook bracket (**B**) to adapter plate (**C**) using four M5 x 6 mm screws (**E**) and #10 washers (**F**) as shown.



⚠ WARNING

- If screws don't get three complete turns in the screen inserts or if screws bottom out and adapter plate is still not tightly secured, damage may occur to screen or product may fail.

- 3** **FOR VESA 200 MOUNTING PATTERN:**

Choose hole pattern as shown below. Attach adapter plate (**C**) to back of screen using four M4 x 10 mm screws (**L**) as shown below.

***Note:** If screw (**L**) gets less than three threads of engagement, attach adapter plate (**C**) to back of screen using four M4 x 20 mm screws (**M**) and four spacers (**N**) as indicated below.

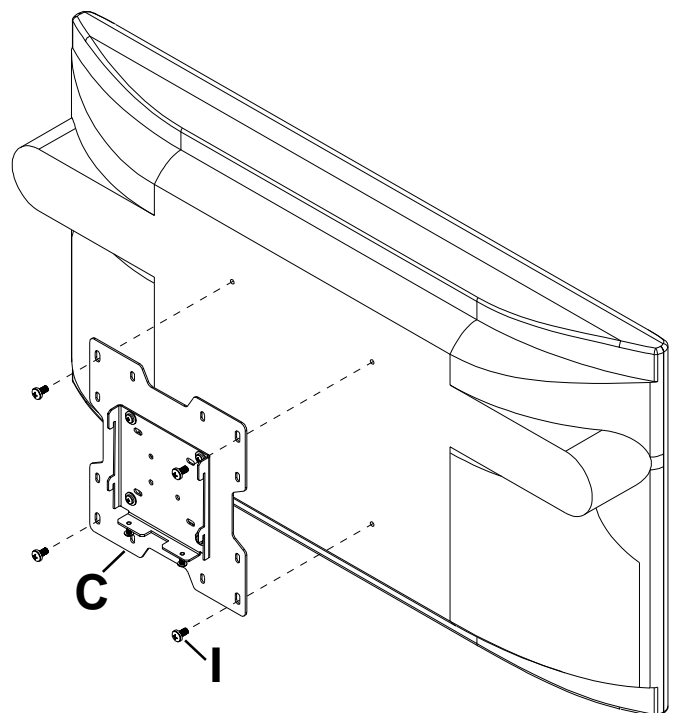
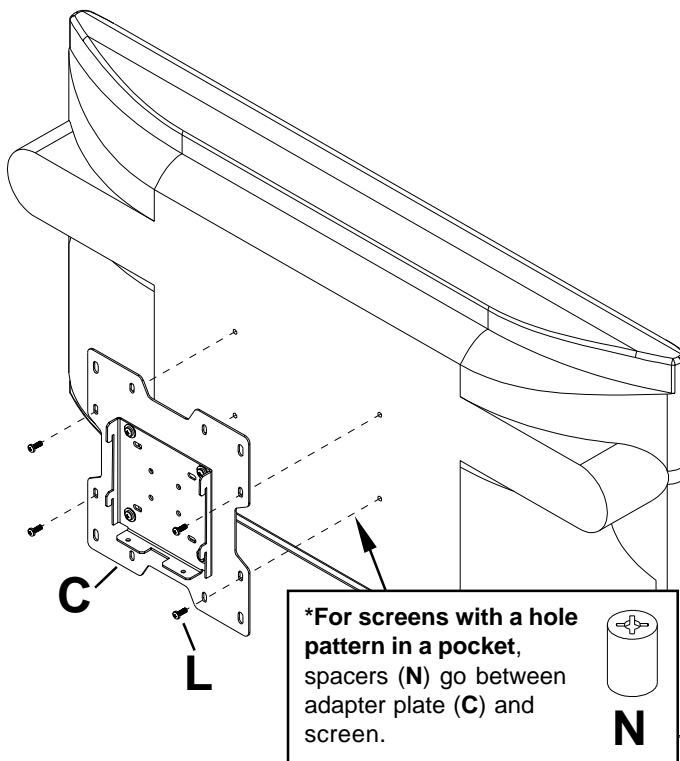
Skip to step 4 on page 8.

- FOR VESA 200 x 200 MOUNTING PATTERN:**

Choose hole pattern as shown below. Attach adapter plate (**C**) to back of screen using four M6 x 12 mm screws (**I**) as shown below.

***Note:** If screw (**I**) gets less than three threads of engagement, attach adapter plate (**C**) to back of screen using four M6 x 20 mm screws (**J**). If screw (**J**) still gets less than three threads of engagement, use four M6 x 30 mm screws (**K**).

Skip to step 4 on page 8.



Attaching Hook Bracket to Screen with VESA 75 or 100 Mounting Pattern

- 2** Thread M5 phillips screws (**D**) to hook bracket (**B**) making the screws flush with bracket as shown in figures 2.1 and 2.2.

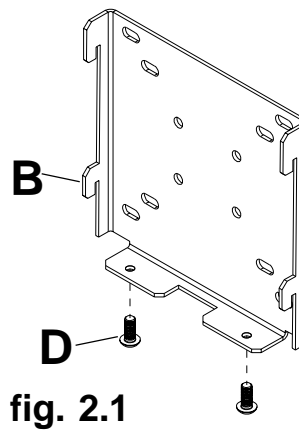


fig. 2.1

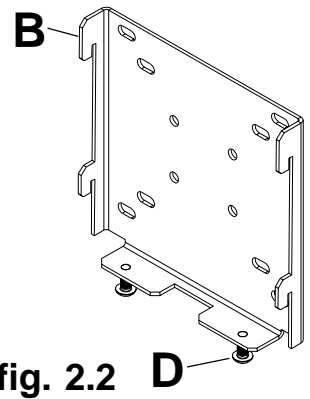


fig. 2.2

⚠ WARNING

- If screws don't get three complete turns in the screen inserts or if screws bottom out and bracket is still not tightly secured, damage may occur to screen or product may fail.

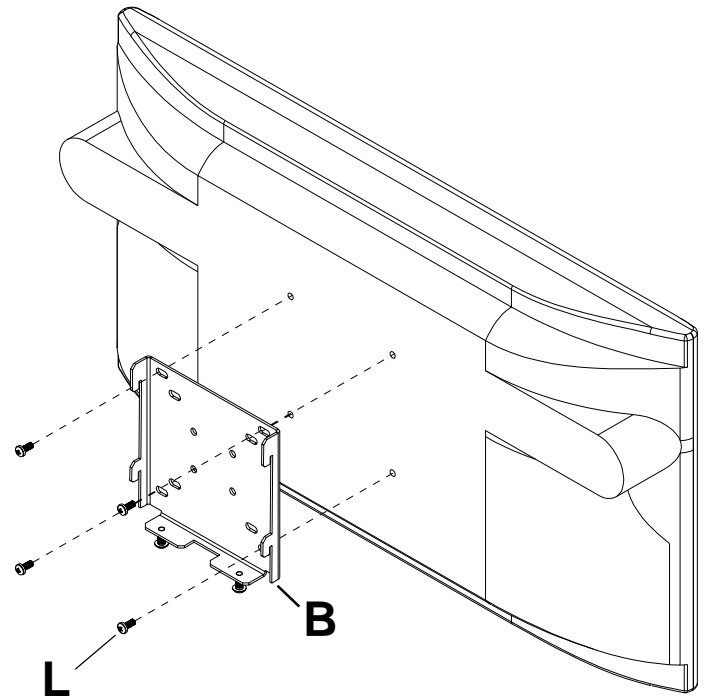
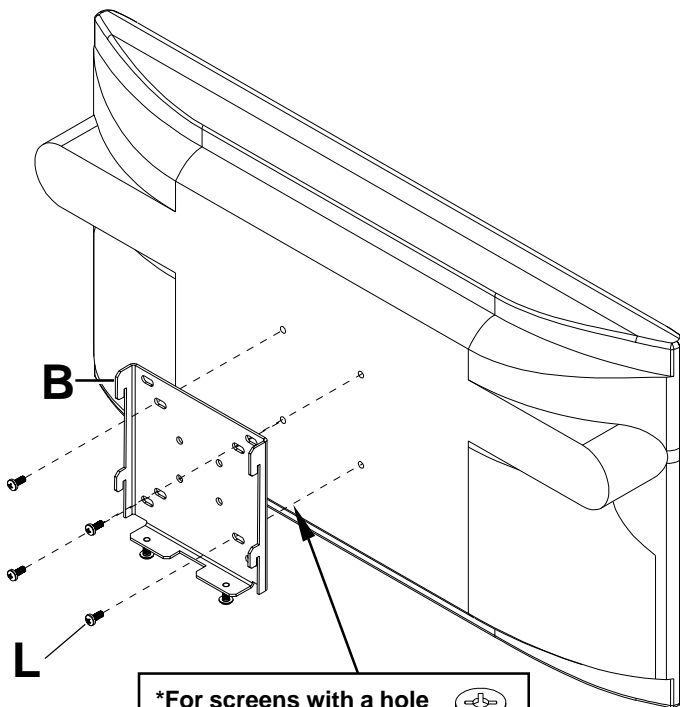
3 FOR VESA 75 MOUNTING PATTERN:

Choose hole pattern as shown below. Attach hook bracket (**B**) to back of screen using four M4 x 10 mm screws (**L**) as shown below.

***Note:** If hole pattern is in a pocket, attach hook bracket (**B**) to back of screen using four M4 x 20 mm screws (**M**) and four spacers (**N**) as indicated below.

FOR VESA 100 MOUNTING PATTERN:

Choose hole pattern as shown below. Attach hook bracket (**B**) to back of screen using four M4 x 10 mm screws (**L**) as shown below.



***For screens with a hole pattern in a pocket, spacers (**N**) go between hook bracket (**B**) and screen.**



N

Installing and Removing Flat Panel Screen

- 4 Hook screen onto wall plate (A) figure 4.1. Tighten M5 x 12 mm screws (D), shown in figure 4.2 and detail 1.

Note: For security models, use 4 mm security allen wrench (O) to tighten M5 x 12 mm screws (D).

To remove screen from mount, loosen screws (D) and lift screen off of mount.

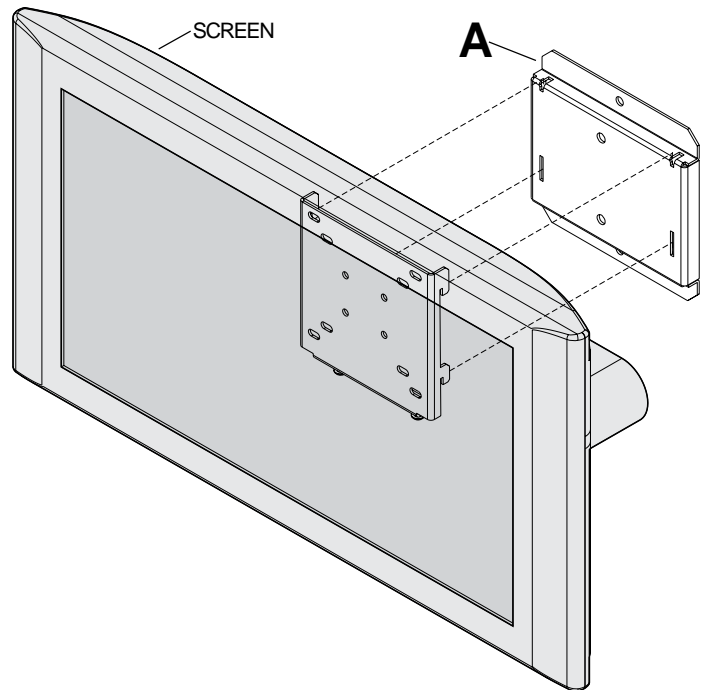


fig. 4.1

⚠ WARNING

- Do not lift more weight than you can handle. Use additional man power or mechanical lifting equipment to safely handle placement of the screen.
- Failure to lock hook bracket with screws (D) can cause screen to come off mount if hit accidentally.

CAUTION

- Do not tighten screws with excessive force. Overtightening can cause damage to mount. Tighten screws to 20 in. • lb (2.26 N.M.) maximum torque.

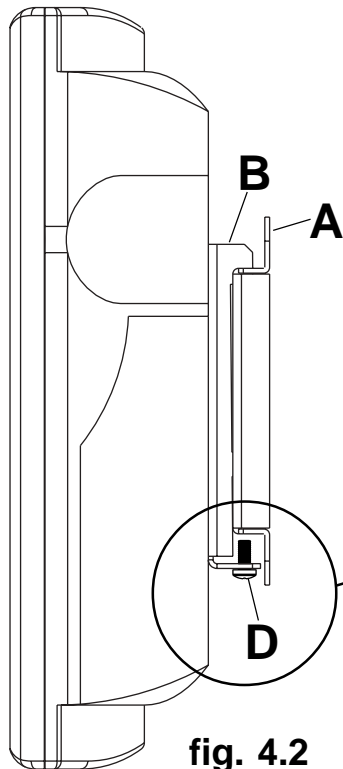
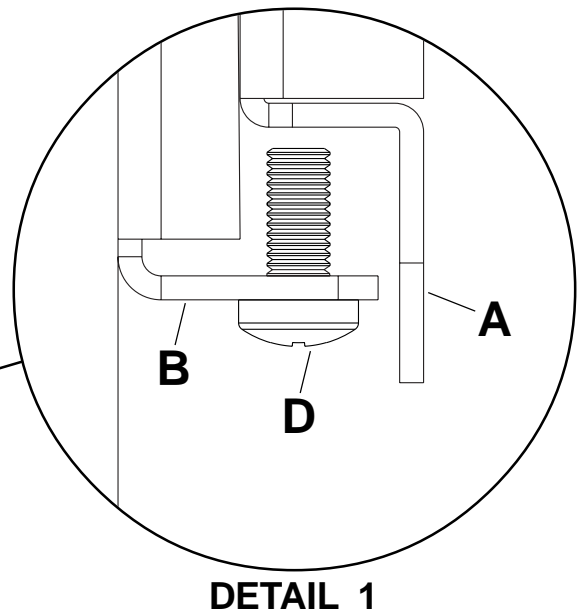


fig. 4.2



DETAIL 1

Free Manuals Download Website

<http://myh66.com>

<http://usermanuals.us>

<http://www.somanuals.com>

<http://www.4manuals.cc>

<http://www.manual-lib.com>

<http://www.404manual.com>

<http://www.luxmanual.com>

<http://aubethermostatmanual.com>

Golf course search by state

<http://golfingnear.com>

Email search by domain

<http://emailbydomain.com>

Auto manuals search

<http://auto.somanuals.com>

TV manuals search

<http://tv.somanuals.com>