

Installation and Assembly - Extension Column Stabilizer

Model: ACC 050

IMPORTANT! Read entire instruction sheet before beginning installation and assembly.

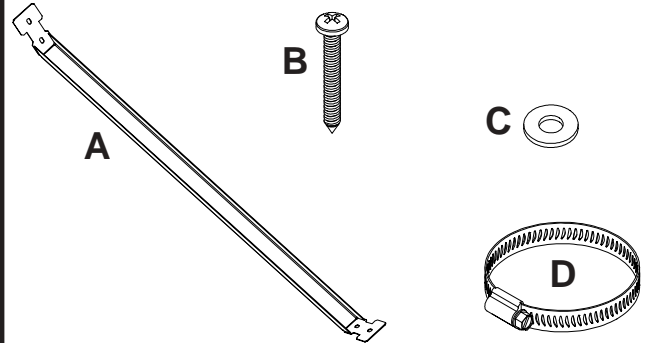
WARNING! Installer must verify that the ceiling will safely support the combined weight of all attached equipment and hardware.

PARTS LIST

PART #	QTY.	DESCRIPTION
A 128-1029	2	extension column stabilizer bracket
B 510-9163	4	#10 x 1 1/2 wood screw
C 540-9440	4	1/4 SAE flat washer
D 560-0008	1	hose clamp

Note: Actual parts may appear slightly different than illustrated.

IMPORTANT: If using different bolts, the bolts **must** be A325 grade.

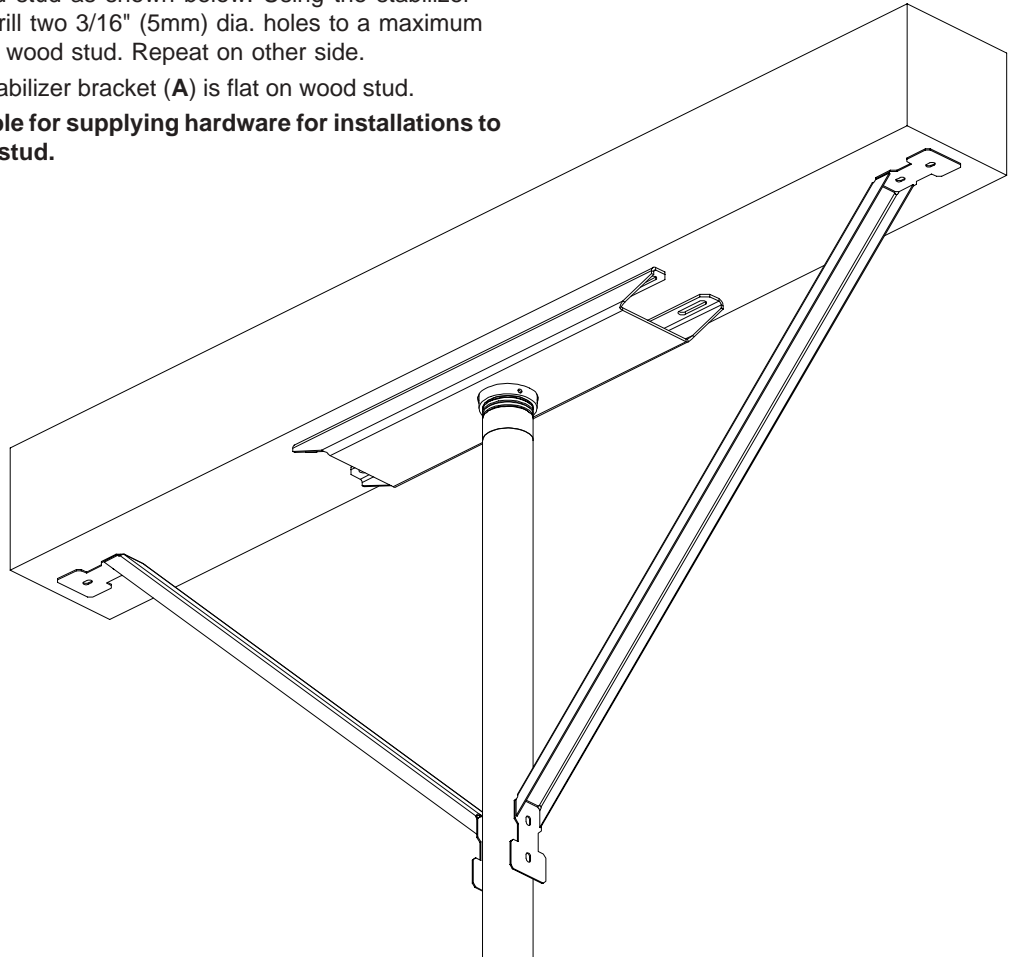


- 1** Before starting make sure that ceiling mount and extension column are firmly in place.

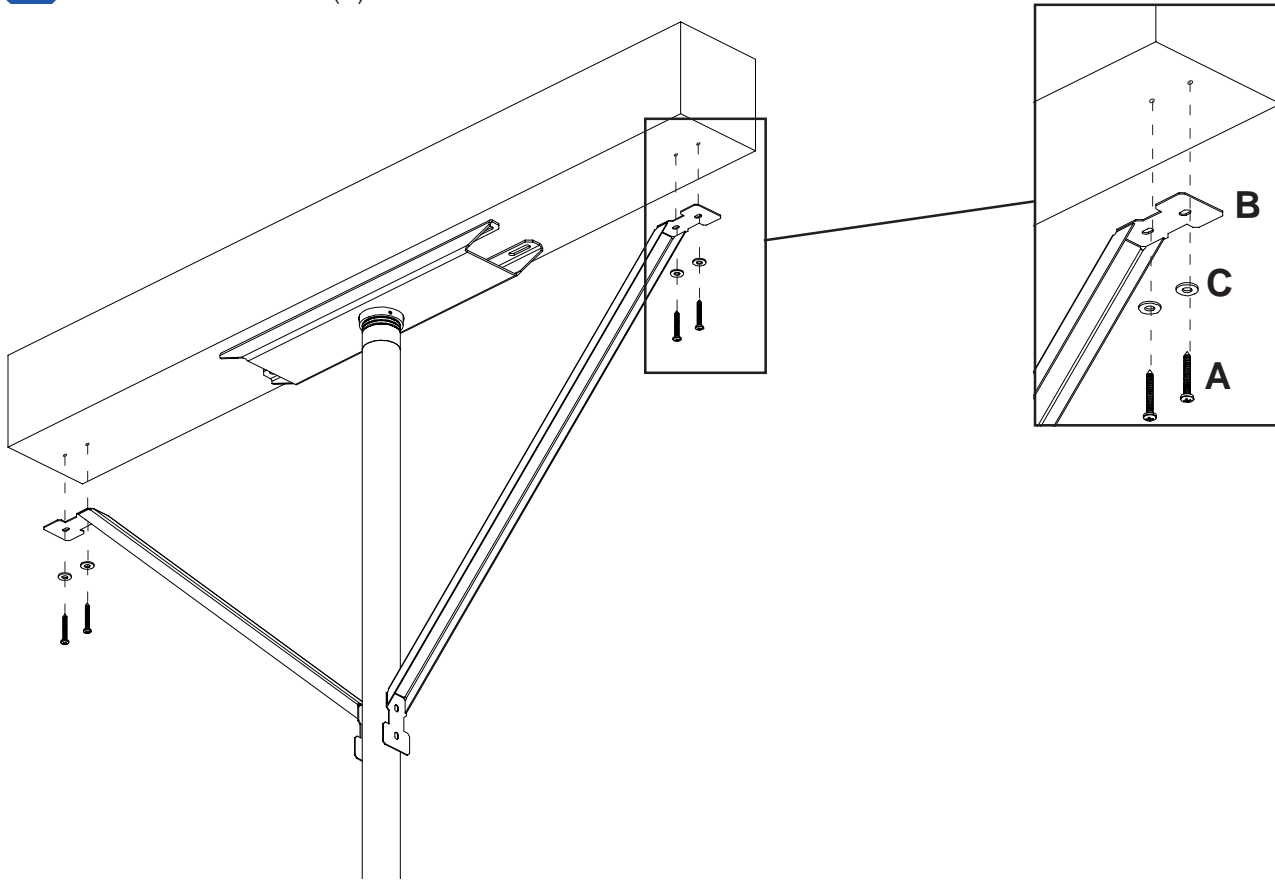
For Wood Stud Only: Align the stabilizer bracket (A) with the side of the extension column and wood stud as shown below. Using the stabilizer bracket (A) as a template drill two 3/16" (5mm) dia. holes to a maximum depth of 2" (51mm) into the wood stud. Repeat on other side.

IMPORTANT: Make sure stabilizer bracket (A) is flat on wood stud.

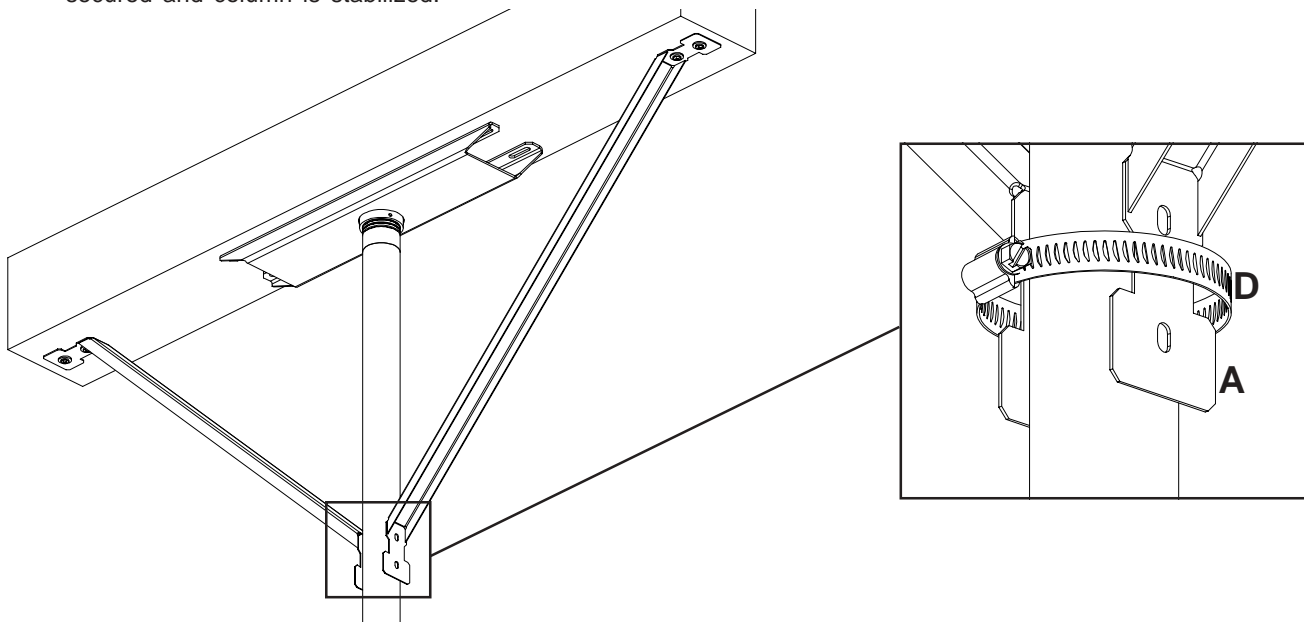
Note: Installer is responsible for supplying hardware for installations to surfaces other than wood stud.



- 2** Fasten extension stabilizer (A) to wood studs using two 1/4 flat washers (C) and #10 wood screws (B).



- 3** Fasten extension stabilizer (A) to extension column use hose clamp (D). Tighten hose clamp (D) until extension stabilizers (A) are completely secured and column is stabilized.



Free Manuals Download Website

<http://myh66.com>

<http://usermanuals.us>

<http://www.somanuals.com>

<http://www.4manuals.cc>

<http://www.manual-lib.com>

<http://www.404manual.com>

<http://www.luxmanual.com>

<http://aubethermostatmanual.com>

Golf course search by state

<http://golfingnear.com>

Email search by domain

<http://emailbydomain.com>

Auto manuals search

<http://auto.somanuals.com>

TV manuals search

<http://tv.somanuals.com>