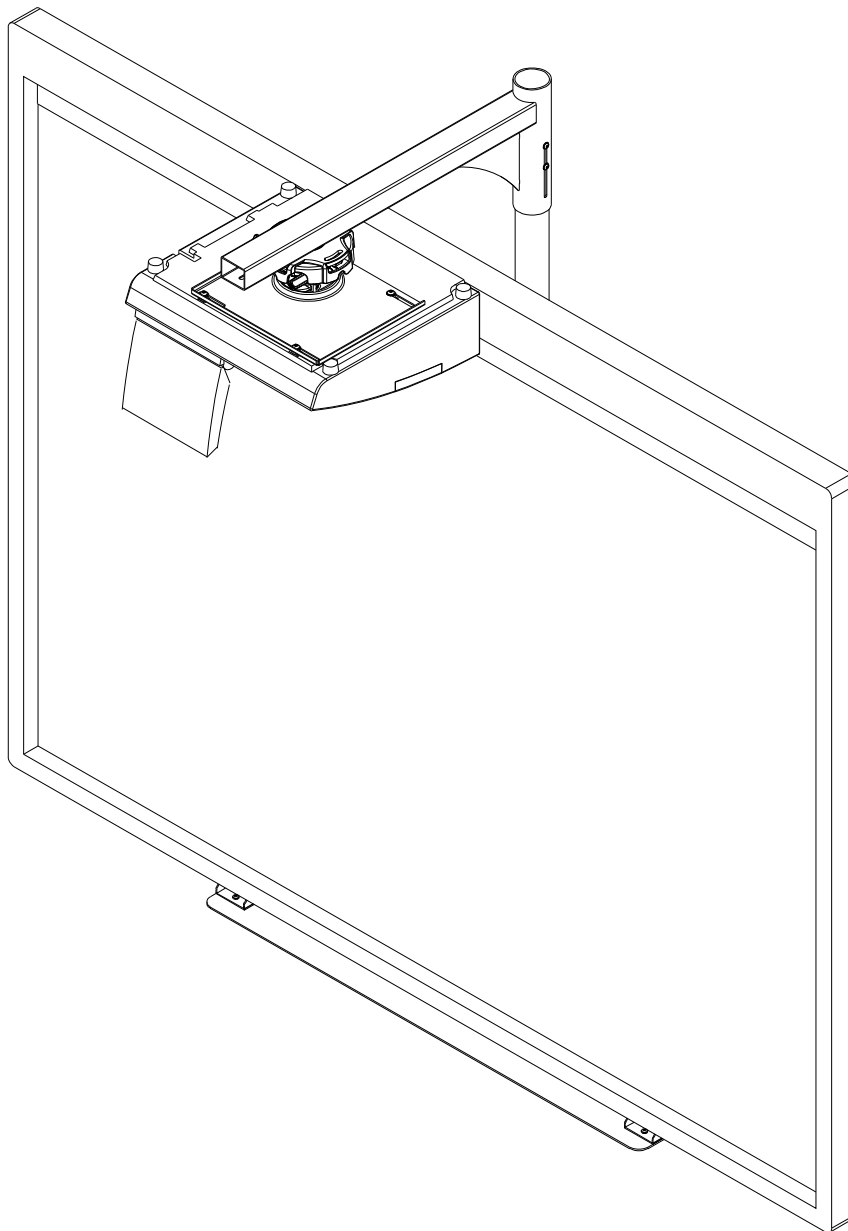




## Installation and Assembly: Wallmount for CPA100 and Whiteboard

**Model:** A100IWBMOUNT

---



**Maximum Load Capacity for Screen:** 53 lb (24 kg)

**Maximum Load Capacity for Projector :** 13.5 lb (6 kg)

**NOTE:** Read entire instruction sheet before you start installation and assembly.

## **⚠ WARNING**

- Do not begin to install your Peerless product until you have read and understood the instructions and warnings contained in this Installation Sheet. If you have any questions regarding any of the instructions or warnings, please call Peerless customer care at 1-800-865-2112.
- This product should only be installed by someone of good mechanical aptitude, has experience with basic building construction, and fully understands these instructions.
- Make sure that the supporting surface will safely support the combined load of the equipment and all attached hardware and components.
- Never exceed the Maximum Load Capacity. See page one.
- If mounting to wood wall studs, make sure that mounting screws are anchored into the center of the studs. Use of an "edge to edge" stud finder is highly recommended.
- Always use an assistant or mechanical lifting equipment to safely lift and position equipment.
- Tighten screws firmly, but do not overtighten. Overtightening can damage the items, greatly reducing their holding power.
- Carriage box has over 100 lbs (43 kg) of pressure. Be careful not to pinch fingers.
- This product is intended for indoor use only. Use of this product outdoors could lead to product failure and personal injury.
- This product was designed and intended to be mounted to the following supporting surfaces checked below with the hardware included in this product as specified in the installation sheet. To mount this product to an alternative supporting surface, contact Peerless customer care at 1 800 865-2112.
- This product was designed to be installed on the following wall construction only;

### **WALL CONSTRUCTION**

### **ADDITIONAL HARDWARE REQUIRED**

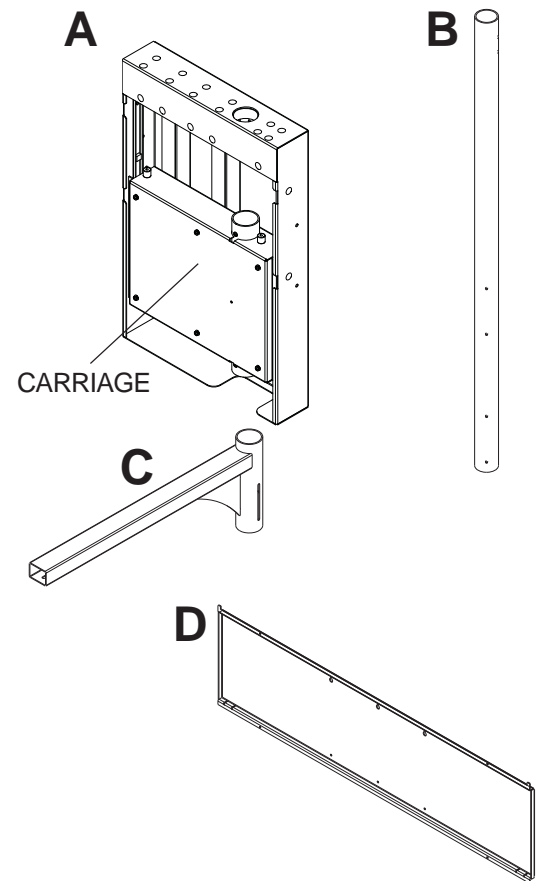
<input checked="" type="checkbox"/> Wood Stud	None
<input type="checkbox"/> Wood Beam	None
<input checked="" type="checkbox"/> Solid Concrete	None
<input checked="" type="checkbox"/> Cinder Block	None
<input checked="" type="checkbox"/> Metal Stud	Do not attach except with Peerless accessory kit for metal studs; Contact Customer Service for Peerless accessory kit for metal studs.
<input type="checkbox"/> Brick	Contact Customer Service
<input type="checkbox"/> Other or unsure?	Contact Customer Service

## **Tools Needed for Assembly**

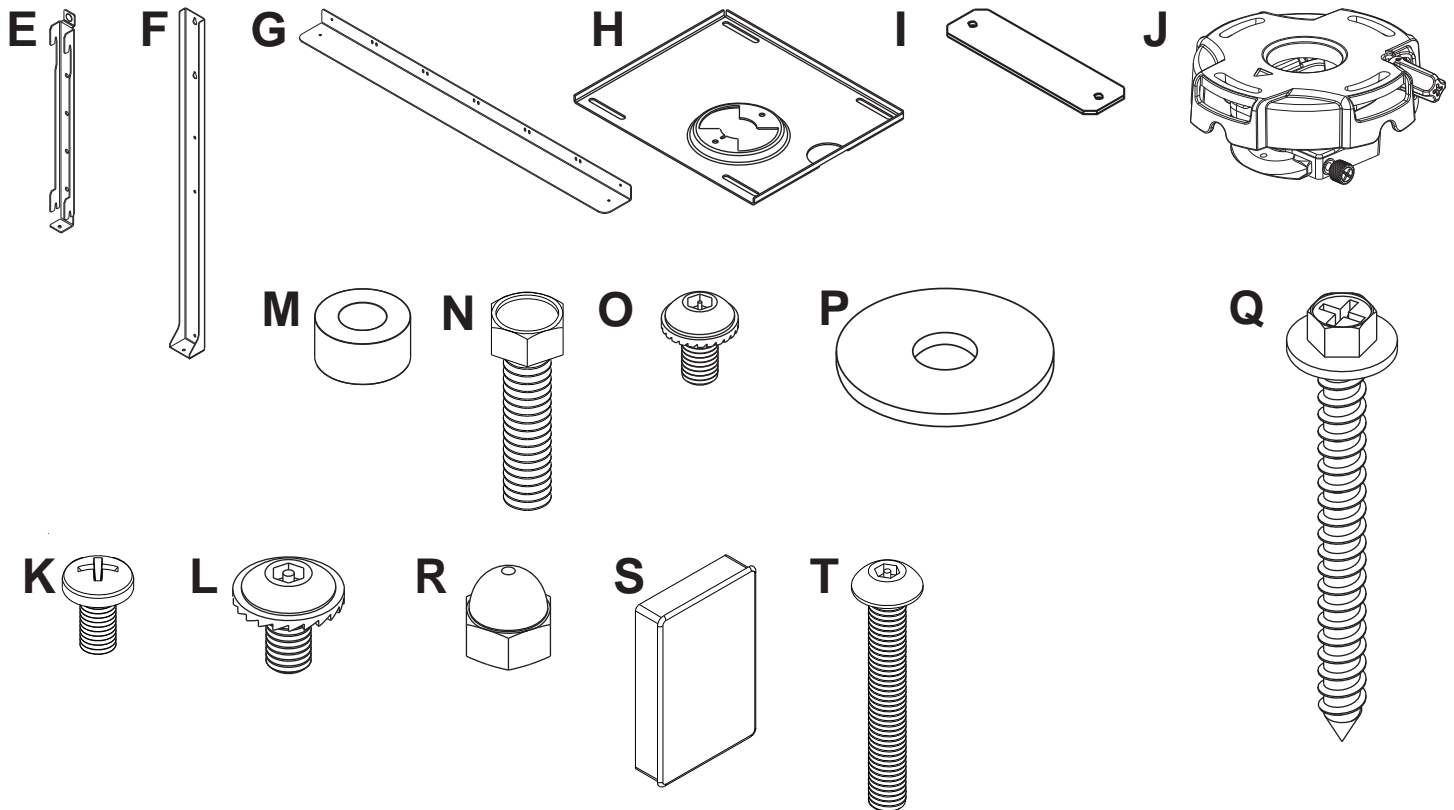
- stud finder ("edge to edge" stud finder is recommended)
- phillips screwdriver
- drill
- 1/4" bit for concrete and cinder block wall
- 1/2" bit for metal stud wall
- 5/32" bit for metal or wood stud wall
- level

Before you begin, make sure all parts shown are included with your product.

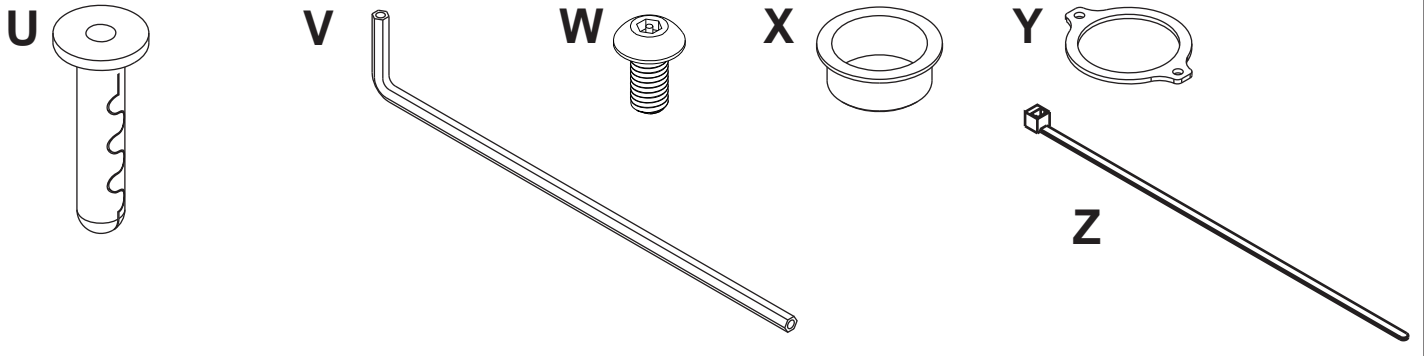
Parts List		
Description	Qty.	Part #
A wall mount assembly	1	055-1841
B projector tube	1	055-1839
C projector arm	1	055-1830
D adapter plate	1	055-1828
E hook bracket	2	055-1840
F vertical handle	2	055-1834
G horizontal handle	1	055-1858
H projector adapter plate	1	055-1822
I slide plate	1	055-1821
J projector mount	1	PRG-1
K #10-32 x 0.375" phillips screw	18	520-1130
L M6 x 12 mm serrated washer head socket pin screw	8	510-1050
M 0.25"ID spacer	4	590-1050
N 1/4-20 x 1.0" hex head screw	2	520-1606
O #10-32 x 3/8" serrated washer head socket pin screw	2	520-1151
P 0.25" ID nylon washer	4	540-9460
Q #14 x 2.5" wood screw	6	5S1-015-C03
R acorn nut	2	530-1049
S plug	1	590-1303
T #10-32 x 1-3/8" socket pin screw	2	510-1098
U alligator anchor	6	590-0097
V 5/32" (4 mm) security allen wrench	1	560-9646
W #10-32 x 1/4" socket pin screw	2	520-1196
X flanged bushing	1	590-1271
Y retainer bushing	1	055-1836
Z cable tie	6	560-9711
toggler pack	1	ACC615



Parts may appear slightly different than illustrated.



## Parts List Continued



- 1 Make sure that wall mount assembly (A) is level, use it as a template to mark the top two mounting holes. Alternatively, the top two screws can be fastened 16" apart as detailed in step 2 while making sure that they are level. In order to set the desired height of bottom of screen in the lowest position, refer to dimension X from the chart below.

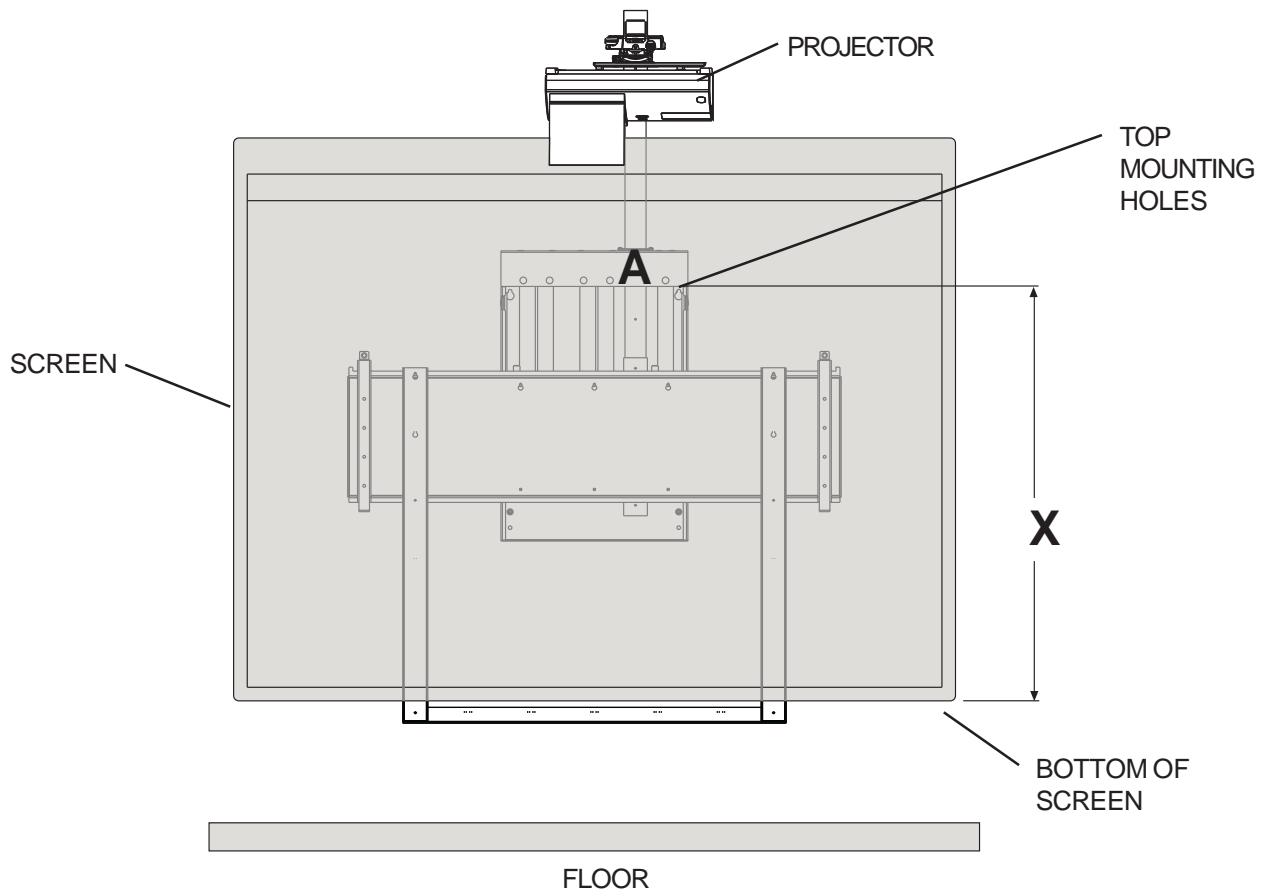


CHART	
Screen Size	Dimension X
63"	36"
77"	42"

## Installation to Wood Stud Wall

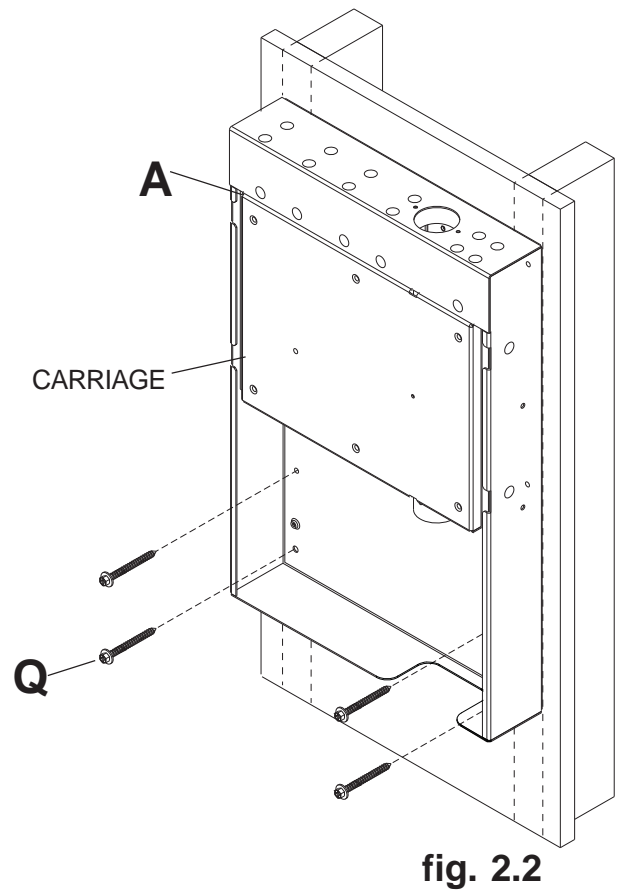
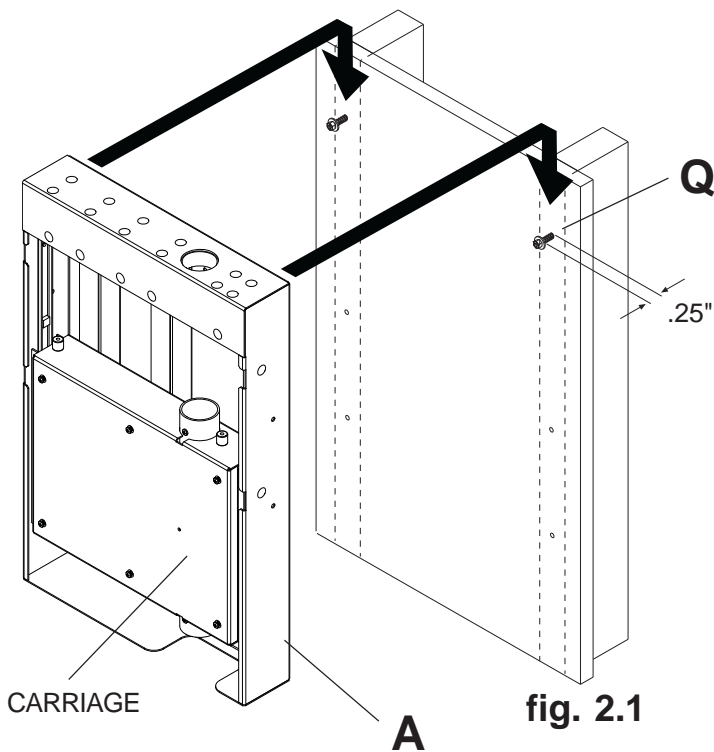
### ⚠ WARNING

- Installer must verify that the supporting surface will safely support the combined load of the equipment and all attached hardware and components.
- Tighten wood screws so that wall plate is firmly attached, but do not overtighten. Overtightening can damage the screws, greatly reducing their holding power.
- Never tighten in excess of 80 in. • lb (9 N.M.).
- Make sure that mounting screws are anchored into the center of the stud. The use of an "edge to edge" stud finder is highly recommended.
- Hardware provided is for attachment of mount through standard thickness drywall or plaster into wood studs. Installers are responsible to provide hardware for other types of mounting situations.

**2** Make sure that the mounting holes are on the stud centerline. Drill six 5/32" (4 mm) dia. holes 2-1/2" (65 mm) deep. Fasten two #14 x 2.5" wood screws (**Q**) into top mounting holes leaving a .25" of exposed thread as shown. Hook wall mount assembly (**A**) onto #14 x 2.5" wood screws (**Q**) as shown in fig. 2.1.

Fasten four #14 x 2.5" wood screws (**Q**) into wall mount assembly (**A**) as shown in fig. 2.2. Make sure that the wall mount assembly (**A**) is level, tighten all six #14 x 2.5" wood screws (**Q**).

*Skip to step 3.*



# Installation to Solid Concrete or Cinder Block

## ⚠ WARNING

- When installing Peerless wall mounts on cinder block, verify that you have a minimum of 1-3/8" of actual concrete thickness in the hole to be used for the concrete anchors. Do not drill into mortar joints! Be sure to mount in a solid part of the block, generally 1" minimum from the side of the block. Cinder block must meet ASTM C-90 specifications. It is suggested that a standard electric drill on slow setting is used to drill the hole instead of a hammer drill to avoid breaking out the back of the hole when entering a void or cavity.
- Concrete must be 2000 psi density minimum. Lighter density concrete may not hold concrete anchor.
- Make sure that the supporting surface will safely support the combined load of the equipment and all attached hardware and components.

- 2** Use wall mount assembly (A) as a template to mark mouting holes. Drill six 5/32" (4 mm) dia. holes to a minimum depth of 2.5" (65 mm). Insert six anchors (U) in holes flush with wall as shown (right). Fasten two #14 x 2.5" wood screws (Q) into top anchors (U) leaving a .25" of exposed thread for each screw (Q) as shown. Hook wall mount assembly (A) onto #14 x 2.5" wood screws (Q) as shown in fig. 2.3. Fasten four #14 x 2.5" wood screws (Q) into wall mount assembly (A) as shown. Make sure that the wall mount assembly (A) is level, tighten all six #14 x 2.5" wood screws (Q).

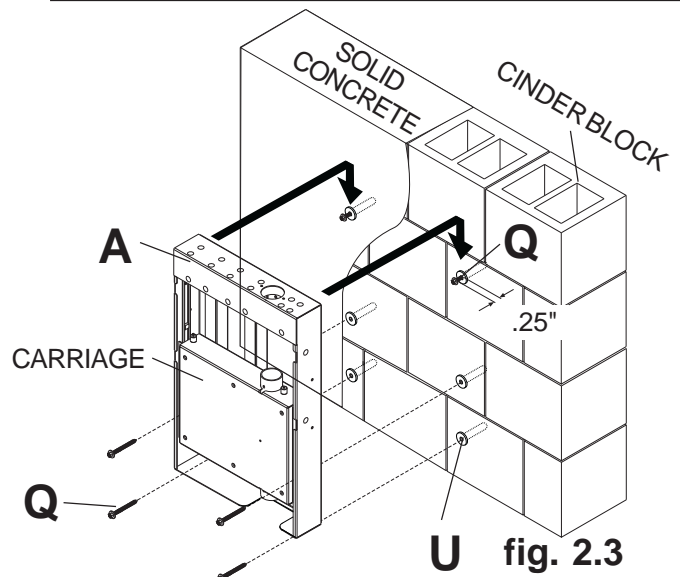
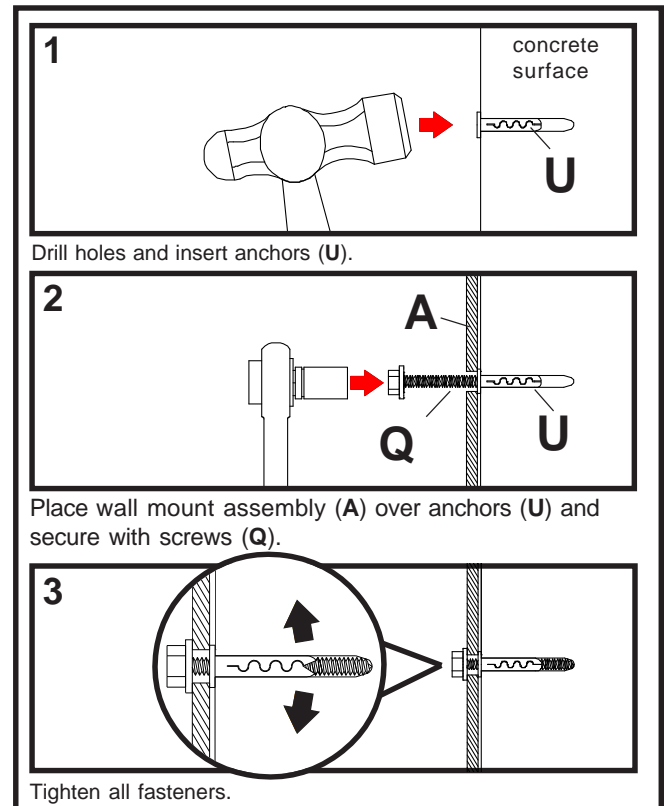
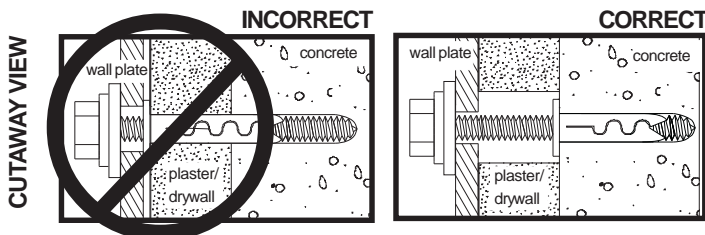
Skip to step 3.

## ⚠ WARNING

- Tighten screws so that wall mount is firmly attached, but do not overtighten. Overtightening can damage screws, greatly reducing their holding power.
- Never tighten in excess of 80 in. • lb (9 N.M.).

## ⚠ WARNING

- Always attach concrete anchors directly to load-bearing concrete.
- Never attach concrete anchors to concrete covered with plaster, drywall, or other finishing material. If mounting to concrete surfaces covered with a finishing surface is unavoidable, the finishing surface must be counterbored as shown below. Be sure concrete anchors do not pull away from concrete when tightening screws. If plaster/drywall is thicker than 5/8", custom fasteners must be supplied by installer.



## Installation to Metal Stud Wall (Metal Stud Accessory Kit ACC 615 Required)

### ⚠ WARNING

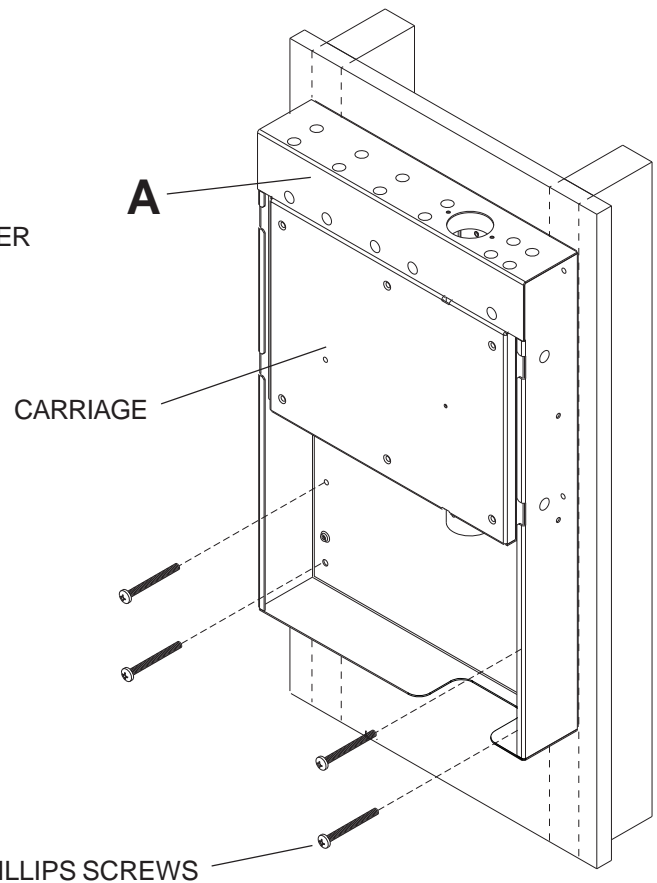
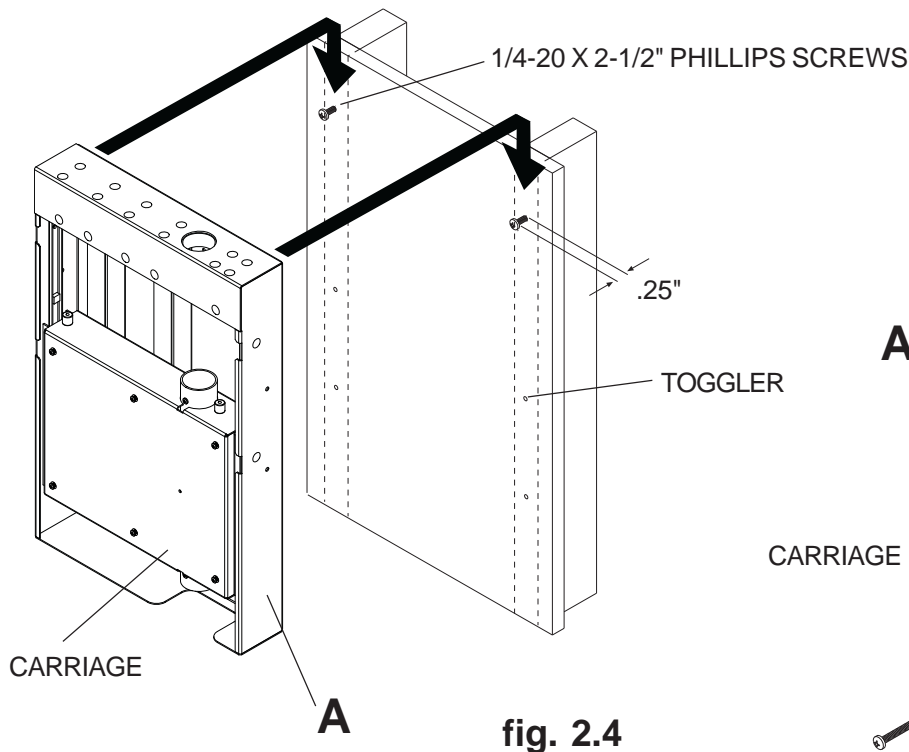
- Drywall must be 1/2" or thicker, and metal stud must be 24 gauge or thicker.
- Installer must verify that the supporting surface will safely support the combined load of the equipment and all attached hardware and components.

**2** Drill six 1/2" holes through drywall and metal studs. **NOTE:** It may be necessary to drill 5/32" pilot holes prior to drilling 1/2" holes.

Refer to instruction sheet included with Peerless accessory kit ACC 615 for metal studs to install togglers.

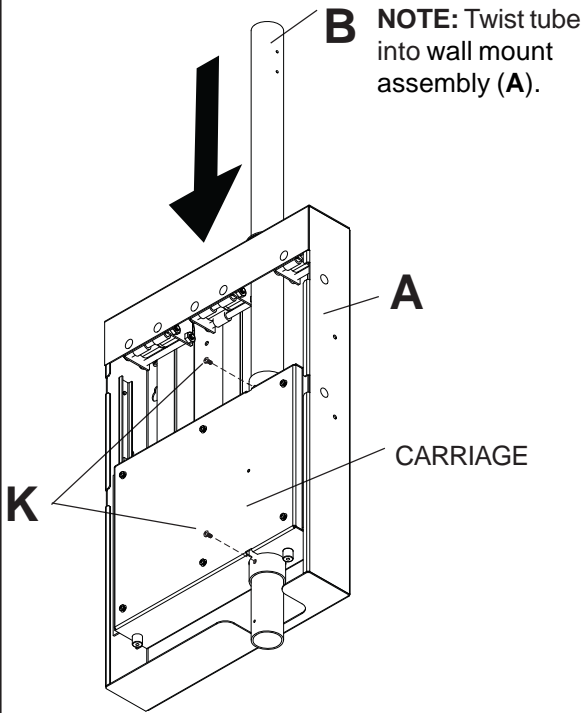
Fasten two 1/4-20 x 2-1/2" screws into top mounting holes leaving a .25" of exposed thread on each as shown in fig. 2.4. Hook wall mount assembly (A) onto 1/4-20 x 2-1/2" screws.

Fasten four 1/4-20 x 2-1/2" screws into wall mount assembly (A) as shown in fig. 2.5. Make sure that the wall mount assembly (A) is level, tighten all six 1/4-20 x 2-1/2" screws.

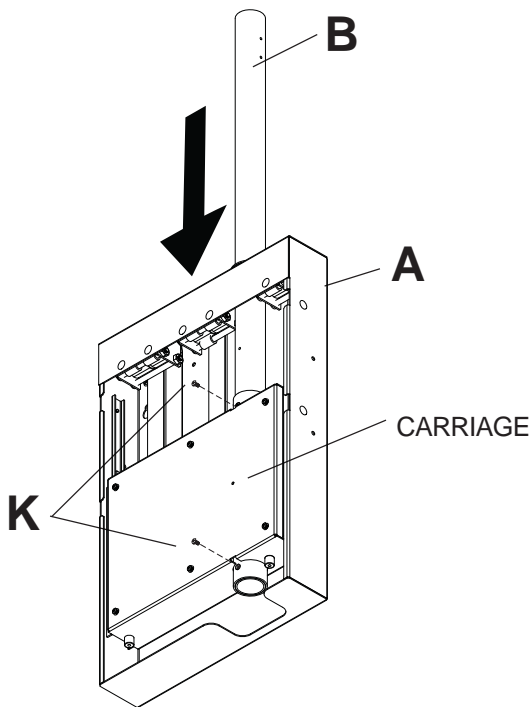


**3** Slide projector tube (B) into top of wall mount assembly (A) and secure with two #10-32 x 0.375" phillips screws (K) as shown below. **NOTE:** Use correct set of mounting holes for the screen size as shown below.

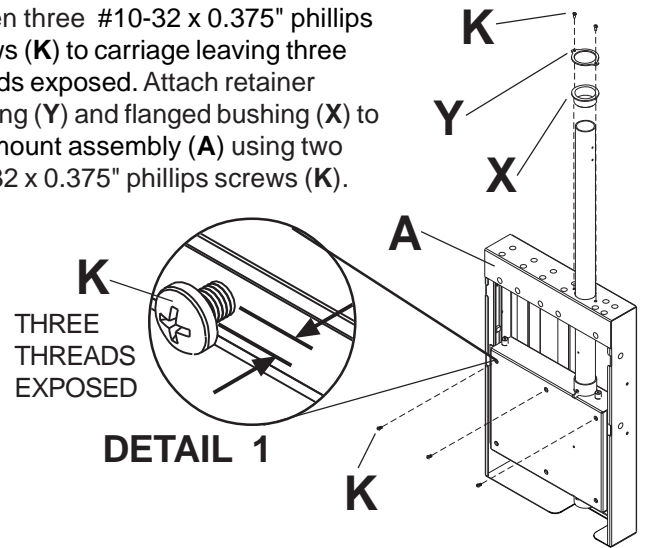
**63" SCREEN**



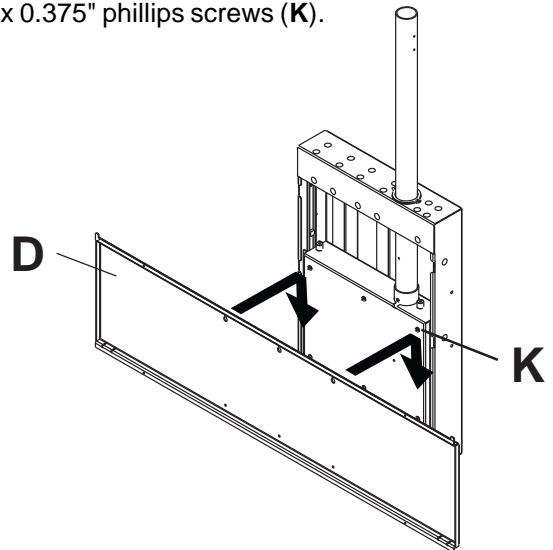
**77" SCREEN**



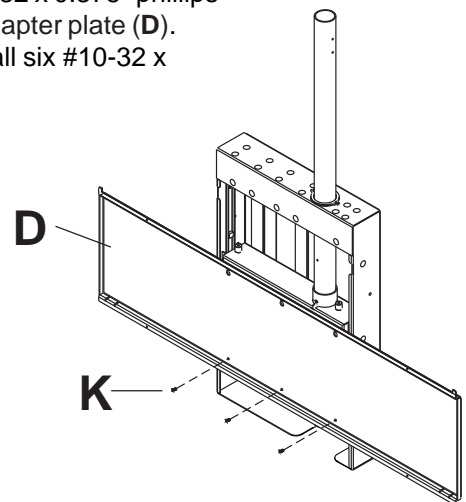
**4** Fasten three #10-32 x 0.375" phillips screws (K) to carriage leaving three threads exposed. Attach retainer bushing (Y) and flanged bushing (X) to wall mount assembly (A) using two #10-32 x 0.375" phillips screws (K).



**4-1** Hook adapter plate (D) onto three #10-32 x 0.375" phillips screws (K).

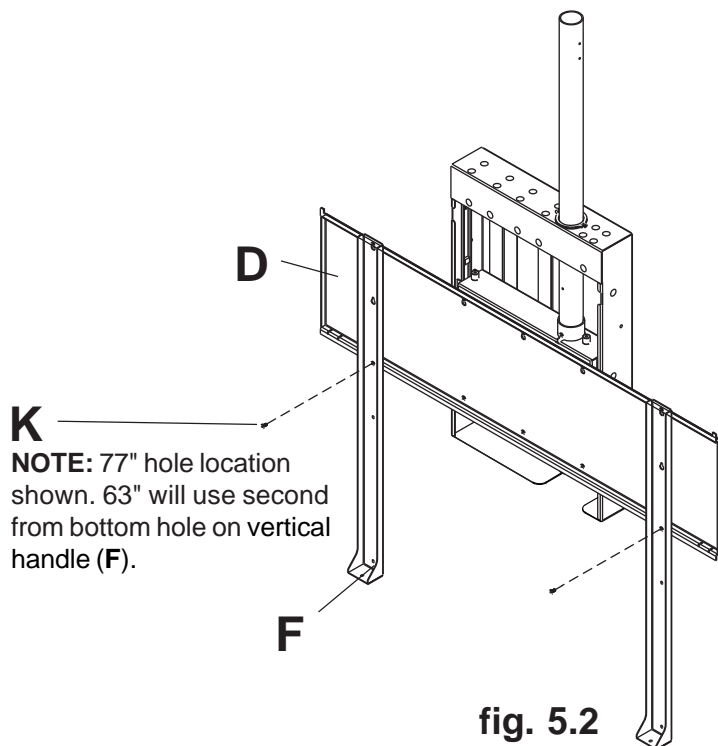
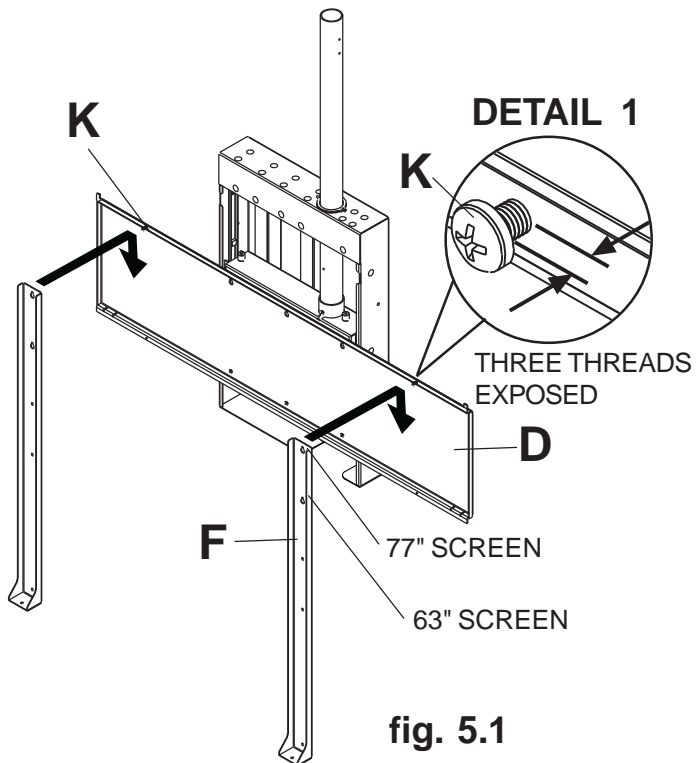


**4-2** Fasten three #10-32 x 0.375" phillips screws (K) into adapter plate (D). Securely tighten all six #10-32 x 0.375" phillips

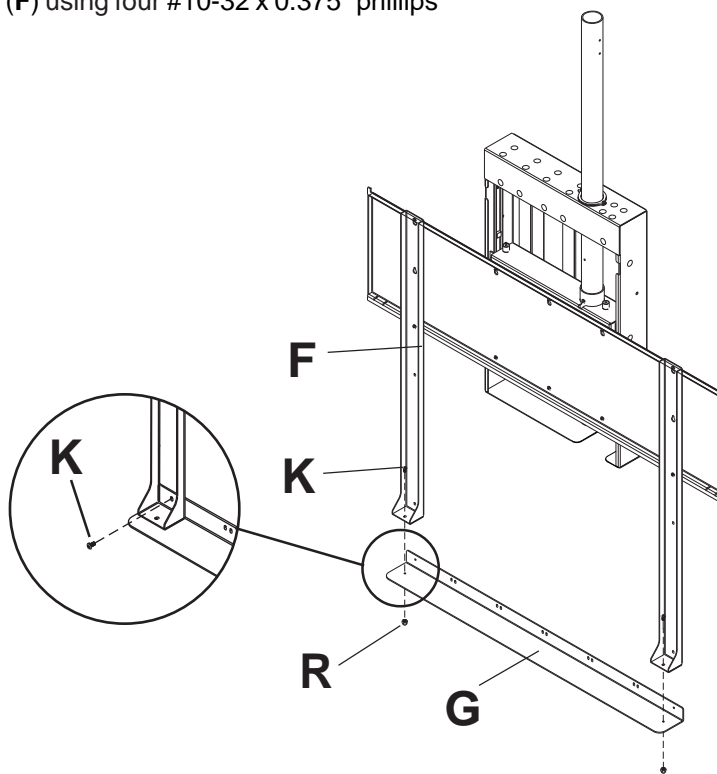




- 5** Fasten two #10-32 x 0.375" phillips screws (**K**) into adapter plate (**D**) leaving three threads exposed as shown in detail 1. Hook each vertical handle (**F**) onto #10-32 x 0.375" phillips screw (**K**) as shown in fig 5.1. **NOTE:** Use top slot for 77" screen or second slot from top for 63" screen. Fasten #10-32 x 0.375" phillips screws (**K**) through lower slot of vertical handle (**F**) that lines up with the lower hole in adapter plate (**D**). Hole location for 77" screen is shown in fig. 5.2. Securely tighten all four #10-32 x 0.375" phillips screws (**K**).

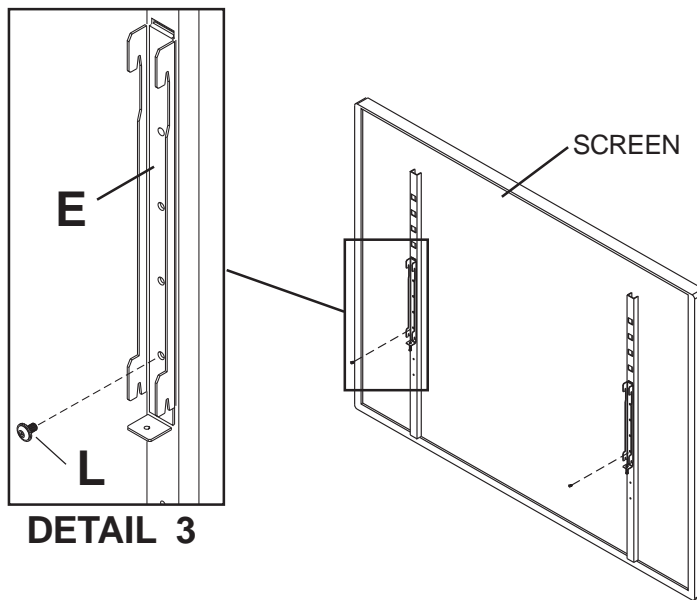
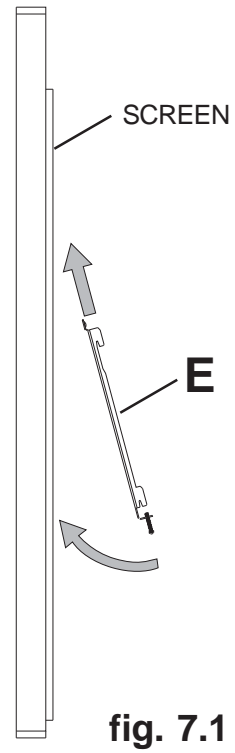
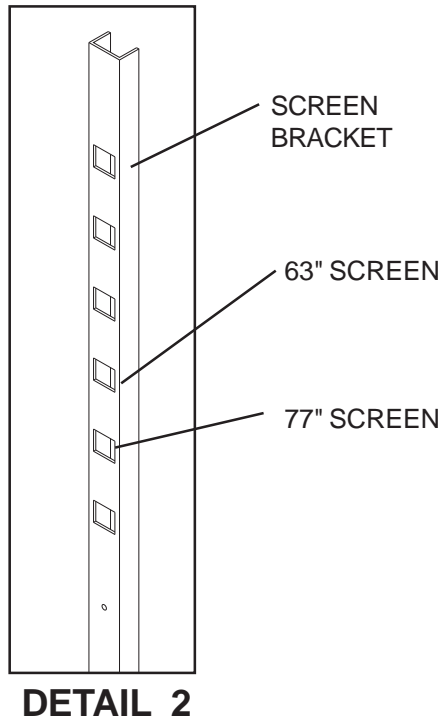


- 6** Fasten horizontal handle (**G**) to vertical handle (**F**) using four #10-32 x 0.375" phillips screws (**K**) and two acorn nuts (**R**).



CABLES ROUTING THROUGH THE TUBE CAN BE PULLED TAUGHT AND FIXED IN LINE TO THE HORIZONTAL HANDLE(**G**) BY USING CABLE TIES (**Z**). USE OTHER CABLE TIES AS NEEDED.

**7** Insert hook brackets into screen as shown in detail 2 and fig. 7.1. Secure each hook bracket (**E**) with M6 x 12 mm serrated washer head socket pin screw (**L**) as shown in fig. 7.2 and detail 3.

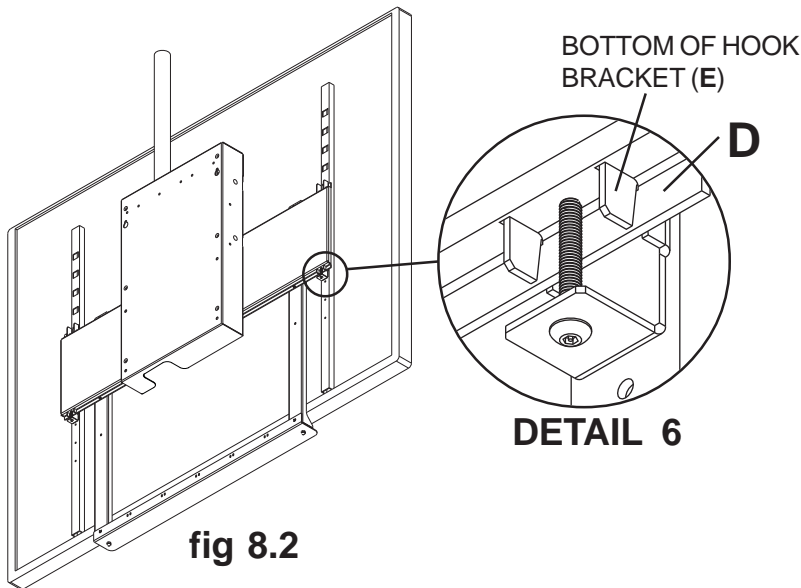
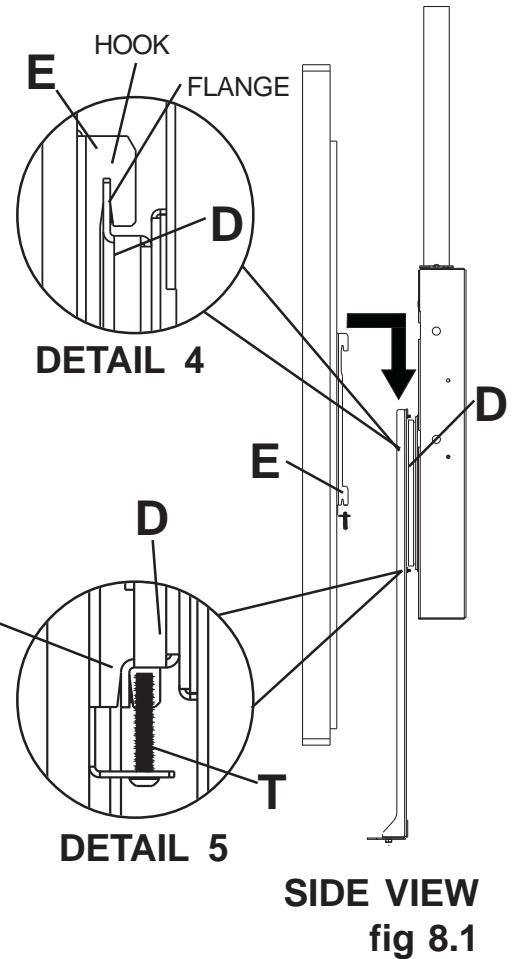


**8** Hook brackets (E) into adapter plate (D) as shown in fig. 8.1 and detail 4. The hooks will go over the flange on the top and the bottom of hook bracket (E) into the slots as shown in detail 4 and detail 6. Fasten #10-32 x 1-3/8" socket pin screws (T) on each hook bracket (E), using security allen wrench (V) and tighten to wall plate as shown in detail 5.

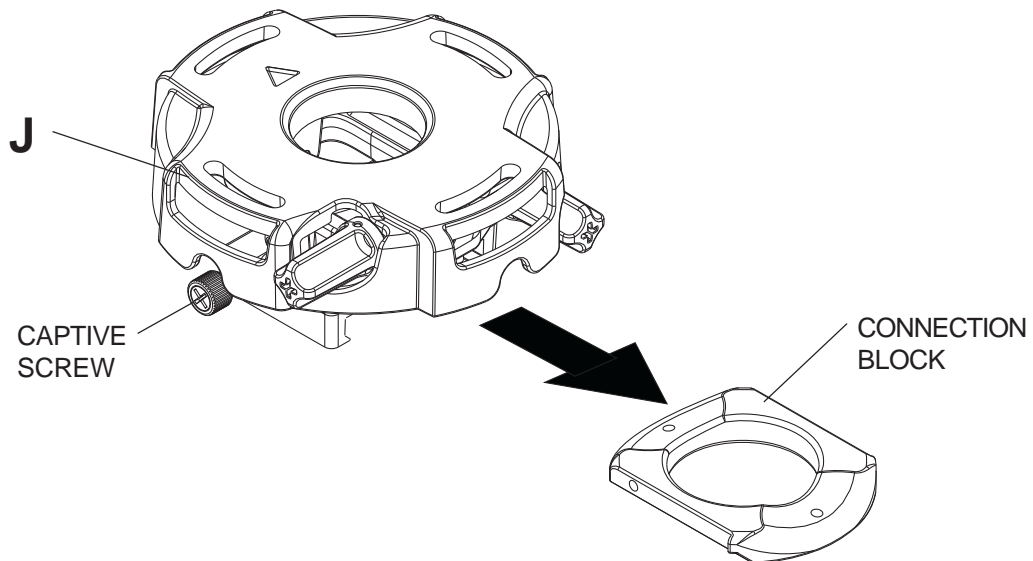
To remove screen from mount, loosen safety/security screws and lift screen off of mount.

## CAUTION

- Do not tighten screws with excessive force. Overtightening can cause damage to mount. Tighten screws to 40 in. • lb (4.5 N.M.) maximum torque.

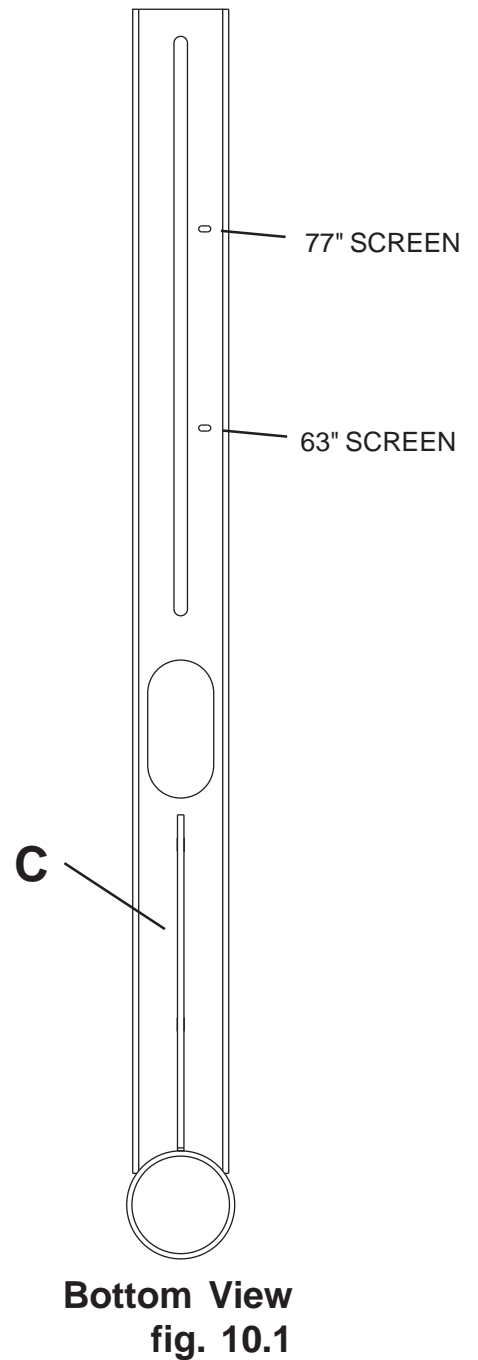
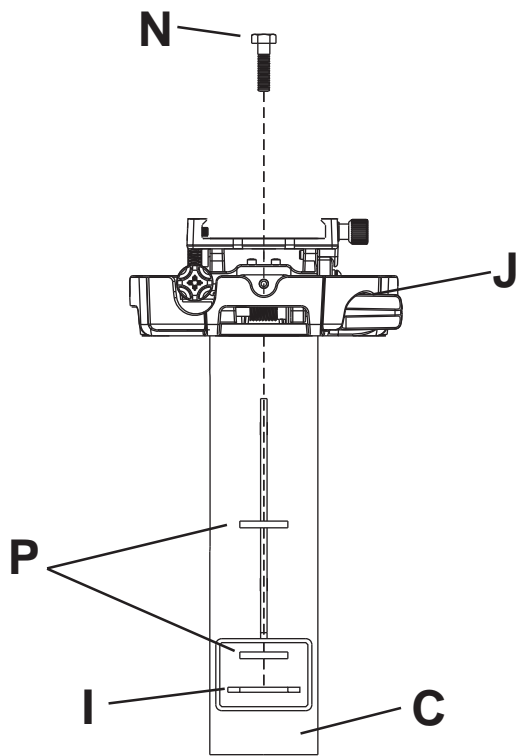
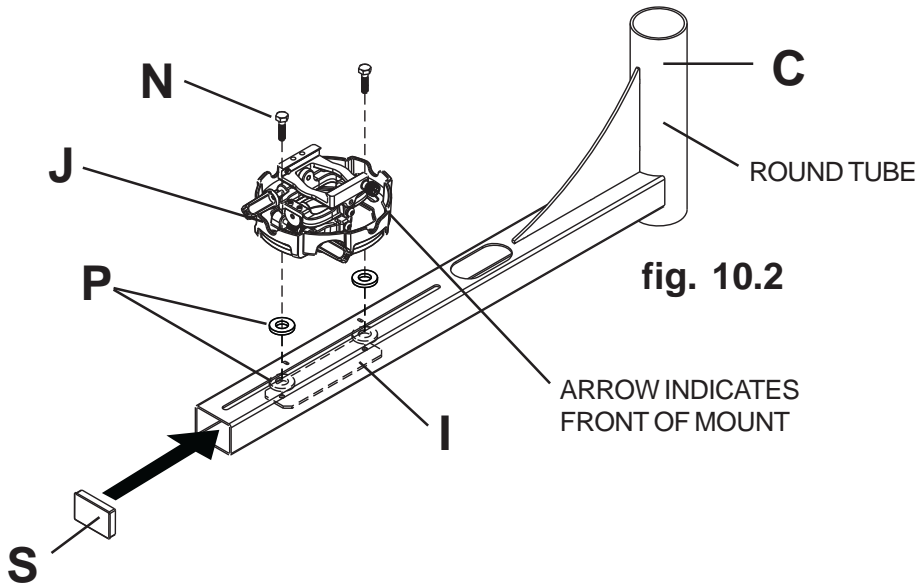


**9** Disengage connection block from projector mount assembly (J) by unscrewing captive screw and sliding out connection block as shown.



**10** Arrow on projector mount assembly (**J**) indicates front of mount. The arrow of projector mount assembly (**J**) should face towards the round tube on projector arm (**C**).

Fasten projector mount assembly (**J**) to projector arm (**C**) using two 1/4-20 x 1.0" hex head screws (**N**), four 0.25" ID nylon washers (**P**) and slide plate (**I**) as shown in fig. 10.2 and 10.3. Do not tighten 1/4-20 x 1.0" hex head screws (**N**) fully to allow for adjustment. Insert rectangle plug (**S**) into projector arm (**C**) as shown in fig. 10.2. Position projector mount assembly (**J**) so that hole corresponding to your size screen in projector arm (**C**) is in the center of projector mount assembly (**J**) as shown in fig. 10.1. Securely tighten both 1/4-20 x 1.0" hex head screws (**N**). **NOTE:** This can be adjusted during final projector alignment if needed.



- 11** Place projector arm (C) onto projector tube (B) as shown in fig. 11.1. Align projector arm (C) so that the holes in projector tube (B) are in the middle of projector arm (C) slot. **NOTE:** This can be adjusted during final projector alignment if needed. Fasten projector arm (C) to projector tube (B) using two #10-32 x 3/8" serrated washer head socket pin screws (O) as shown in fig. 11.2 and detail 6.

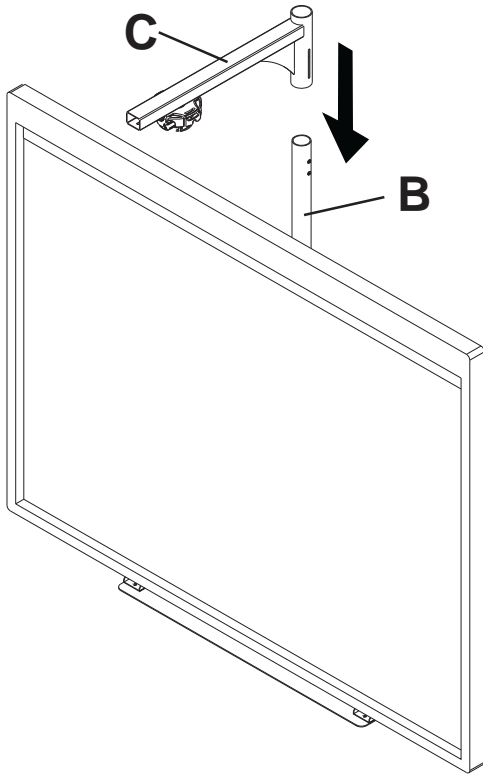


fig. 11.1

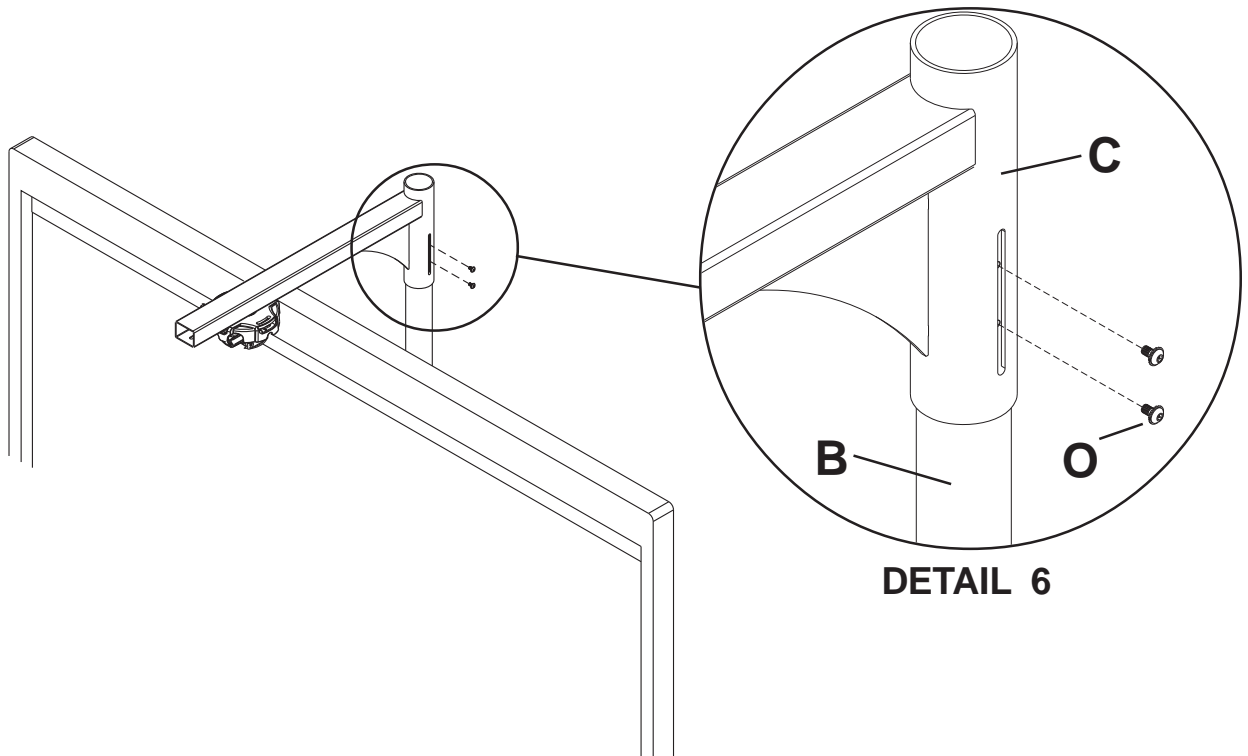
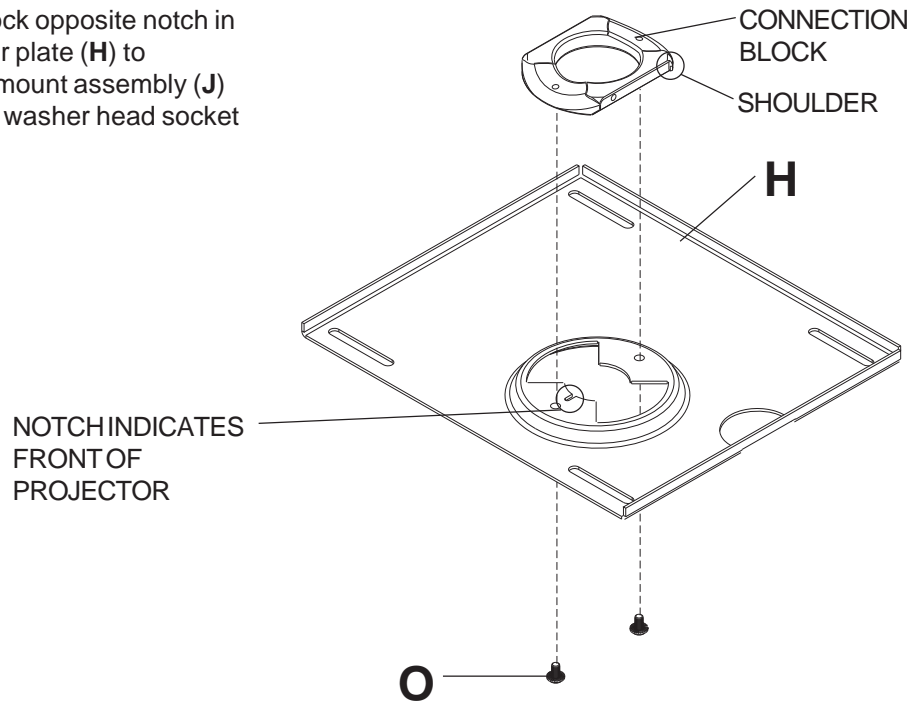


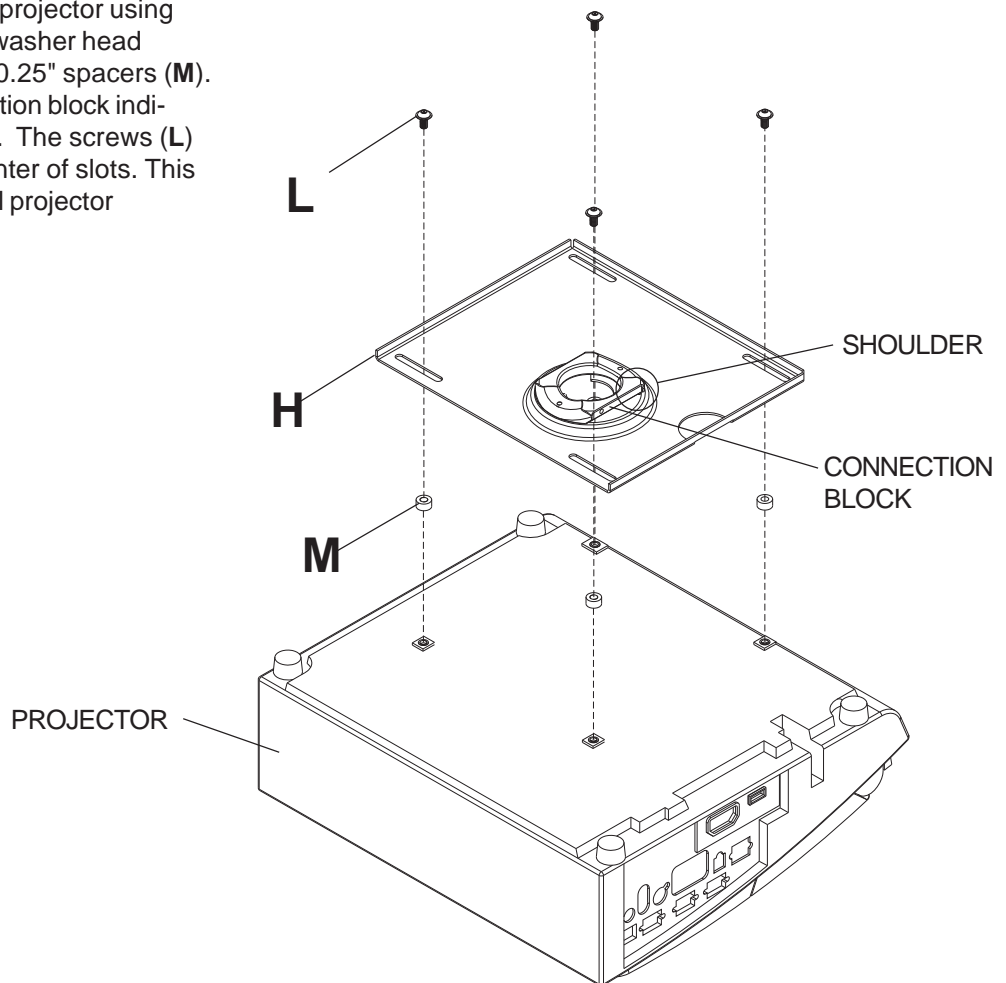
fig. 11.2

## Attaching Adapter Plate to Projector

- 12** Align shoulder on connection block opposite notch in adapter plate (**H**). Attach adapter plate (**H**) to connection block from projector mount assembly (**J**) using two #10-32 x 3/8" serrated washer head socket pin screws (**O**).



- 13** Attach adapter plate (**H**) to projector using four M6 x 12 mm serrated washer head socket pin screws (**L**) and 0.25" spacers (**M**). **NOTE:** Shoulder of connection block indicates the back of projector. The screws (**L**) should be placed in the center of slots. This can be adjusted during final projector alignment if needed.



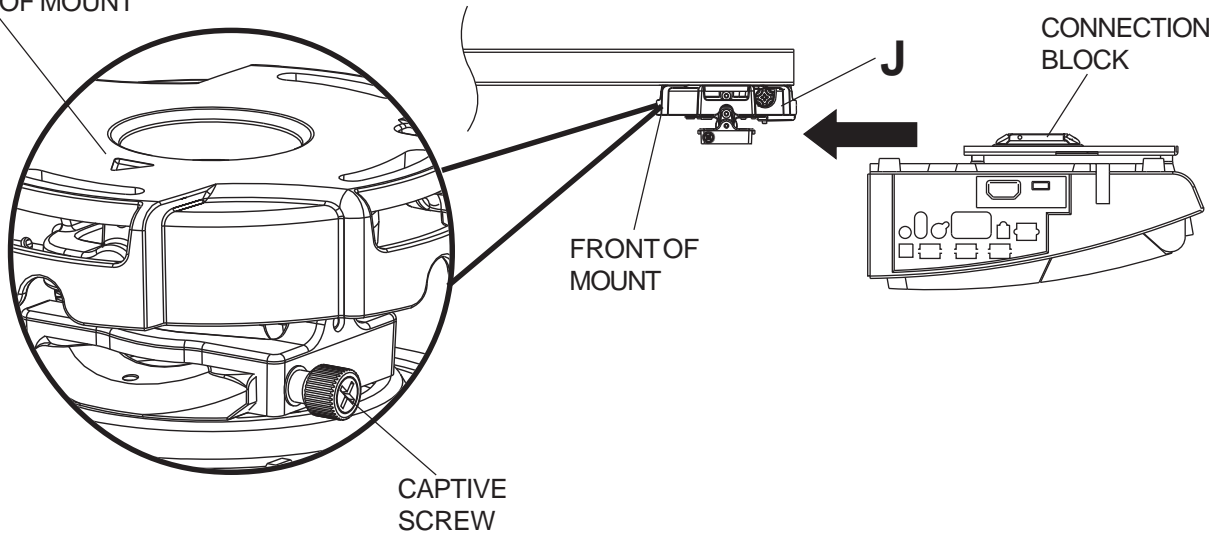
## Attaching Adapter Plate to Projector Mount

### ⚠ WARNING

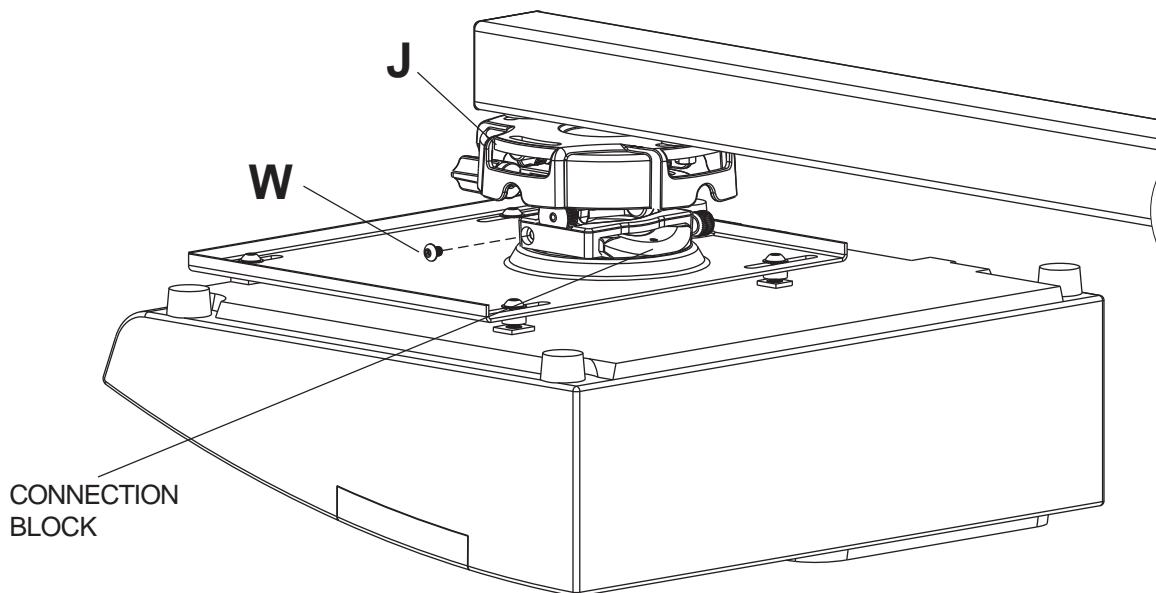
- Do not lift more weight than you can handle. Use additional man power or mechanical lifting equipment to safely handle placement of the projector.

- 14** Slide connection block with projector into projector mount assembly (J) as shown. Tighten captive screw to secure projector to projector mount assembly (J).

ARROW INDICATES  
FRONT OF MOUNT



- 15** **IMPORTANT:** For security installations, insert one #10-32 x 1/4" socket pin screw (W) through projector mount assembly (J) and into connection block as shown. Tighten screw using 4mm security allen wrench (V).



# Projector Alignment

**16** To adjust yaw (swivel): Loosen screw on projector mount assembly (J) indicated below until projector mount can be rotated. Rotate mount to desired position and retighten screw.

To adjust pitch (forward and backward tilt): Turn knob on back of mount as shown below. Pull knob out and turn by hand for easy adjustment or insert #2 phillips screwdriver in end of knob and turn.

To adjust roll (side to side tilt): Turn knob on side of mount as shown below. Pull knob out and turn by hand for easy adjustment or insert #2 phillips screwdriver in end of knob and turn.

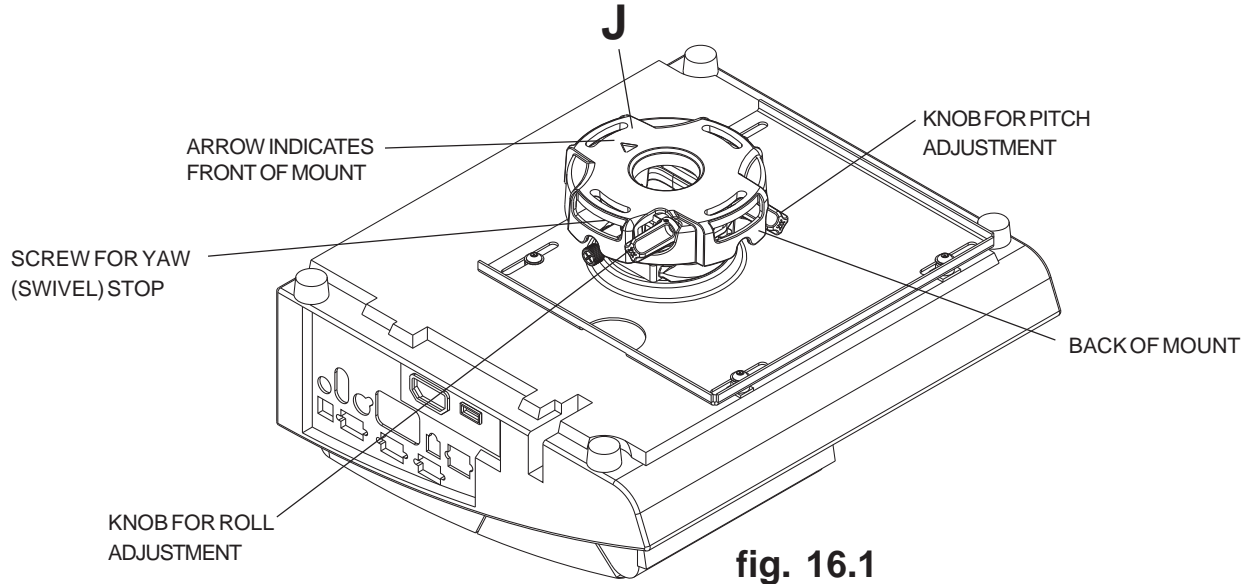


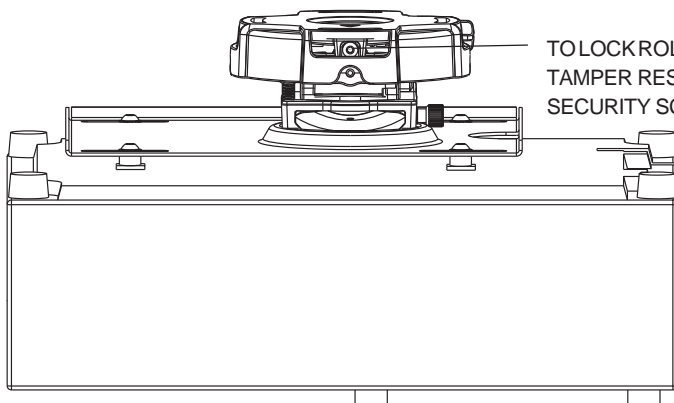
fig. 16.1

**16-1** To prevent tampering with the pitch and roll adjustments: Tighten the two tamper resistant security screws on the projector mount assembly (J) using 4 mm security allen wrench (V) to lock the pitch and roll adjustments as shown below.

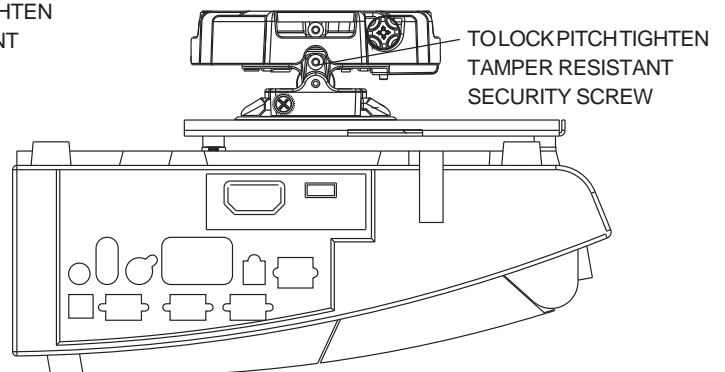
**NOTE:** Tighten screws firmly, but do not overtighten. Overtightening can damage the mount.

## CAUTION

- Do not adjust pitch or roll while tamper resistant security screws are fully engaged.
- Loosen the two tamper resistant security screws one complete turn before adjusting the projector mount assembly or damage may occur.



FRONT VIEW



SIDE VIEW



## Free Manuals Download Website

<http://myh66.com>

<http://usermanuals.us>

<http://www.somanuals.com>

<http://www.4manuals.cc>

<http://www.manual-lib.com>

<http://www.404manual.com>

<http://www.luxmanual.com>

<http://aubethermostatmanual.com>

Golf course search by state

<http://golfingnear.com>

Email search by domain

<http://emailbydomain.com>

Auto manuals search

<http://auto.somanuals.com>

TV manuals search

<http://tv.somanuals.com>