

U.S.A.

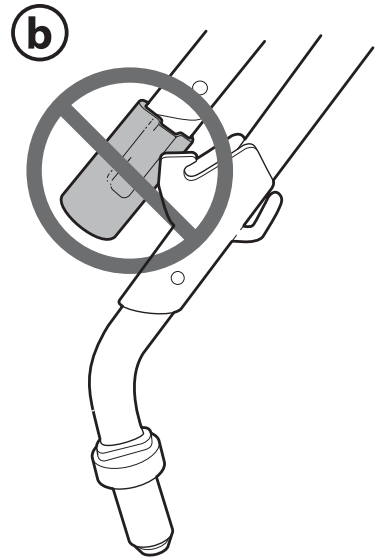
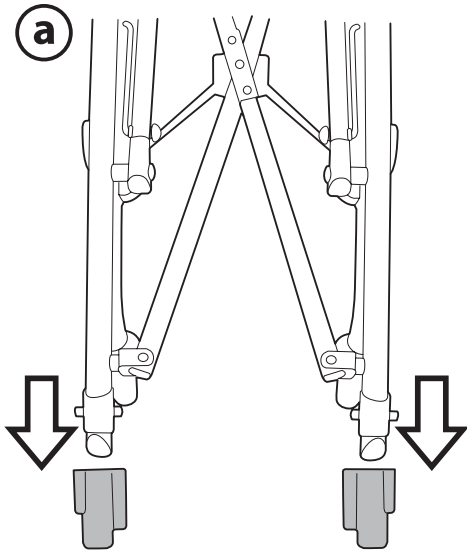
EN Instructions for use

ES Instrucciones de uso

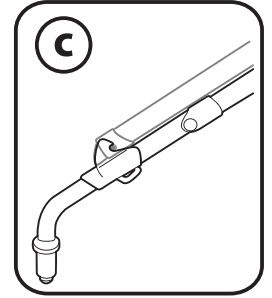
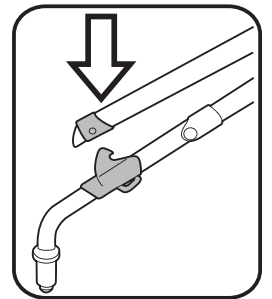
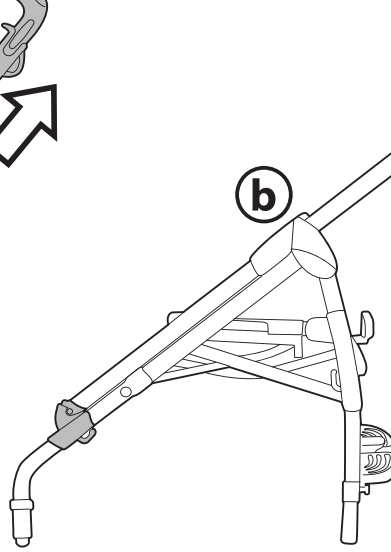
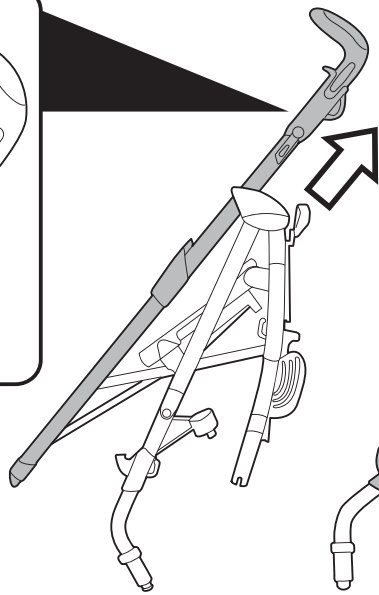
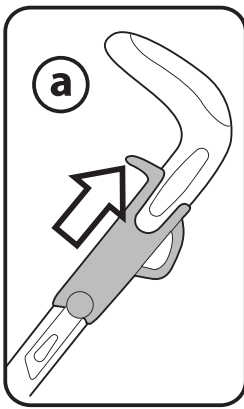


pliko switch

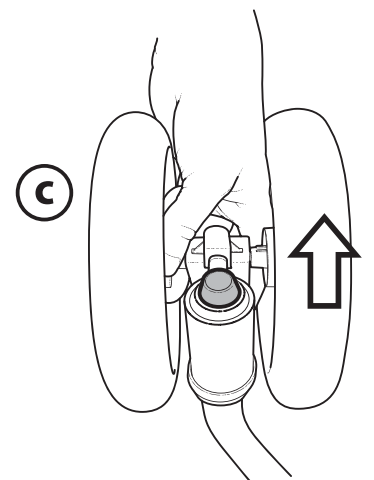
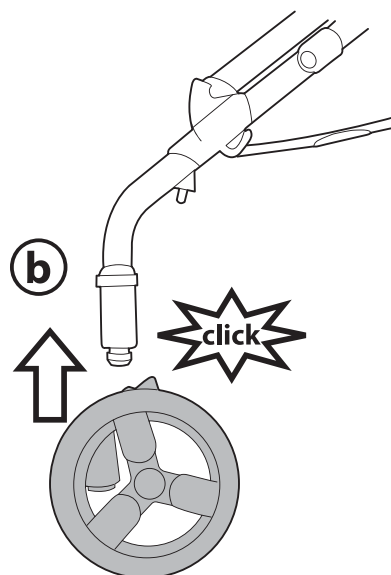
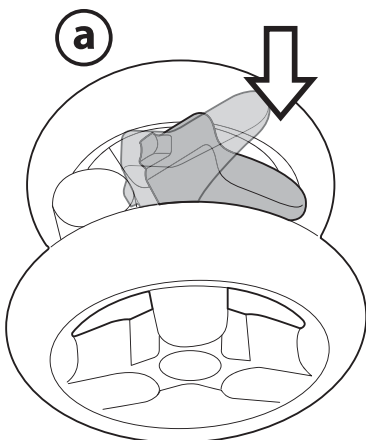
1



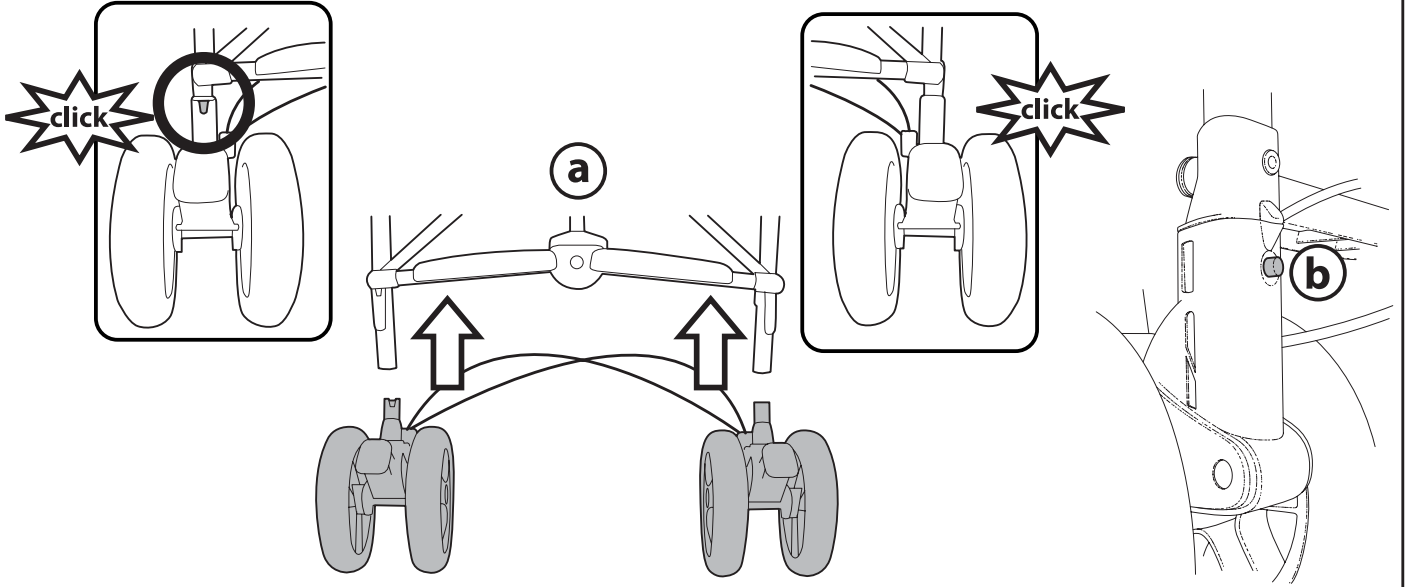
2



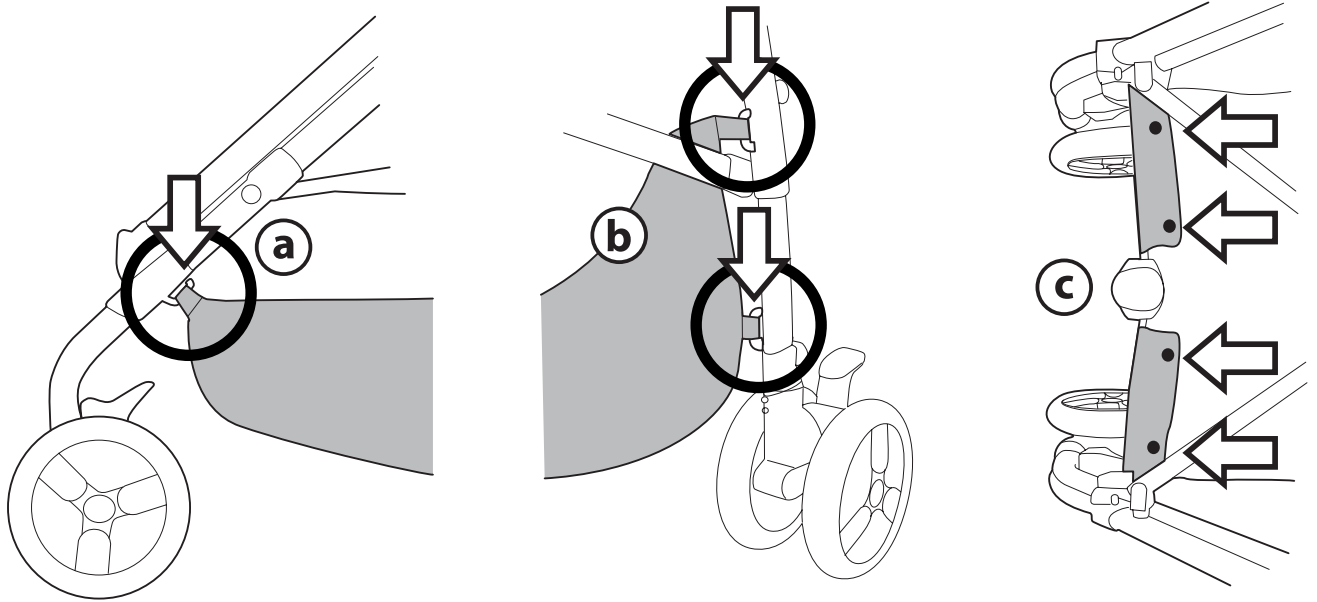
3



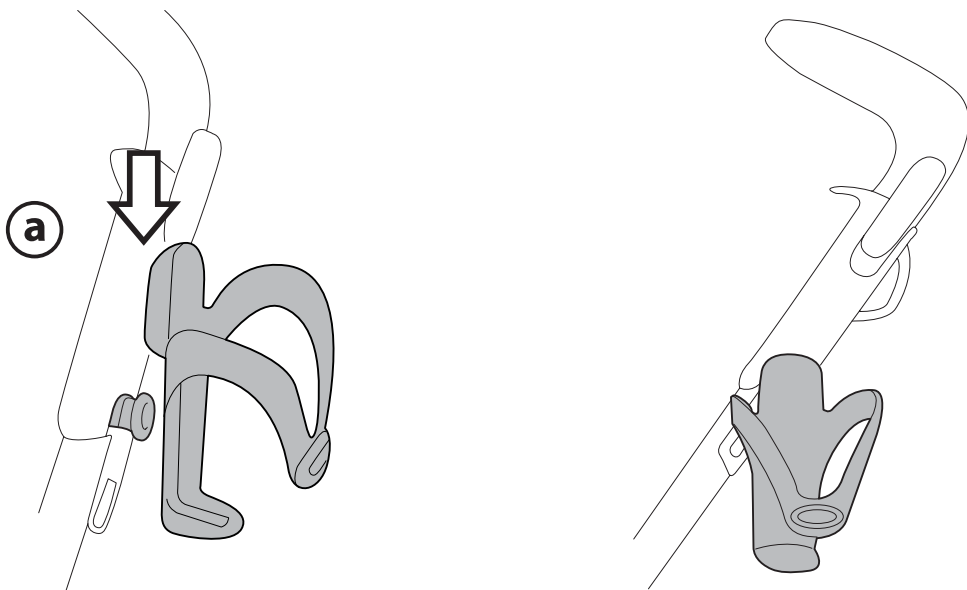
4



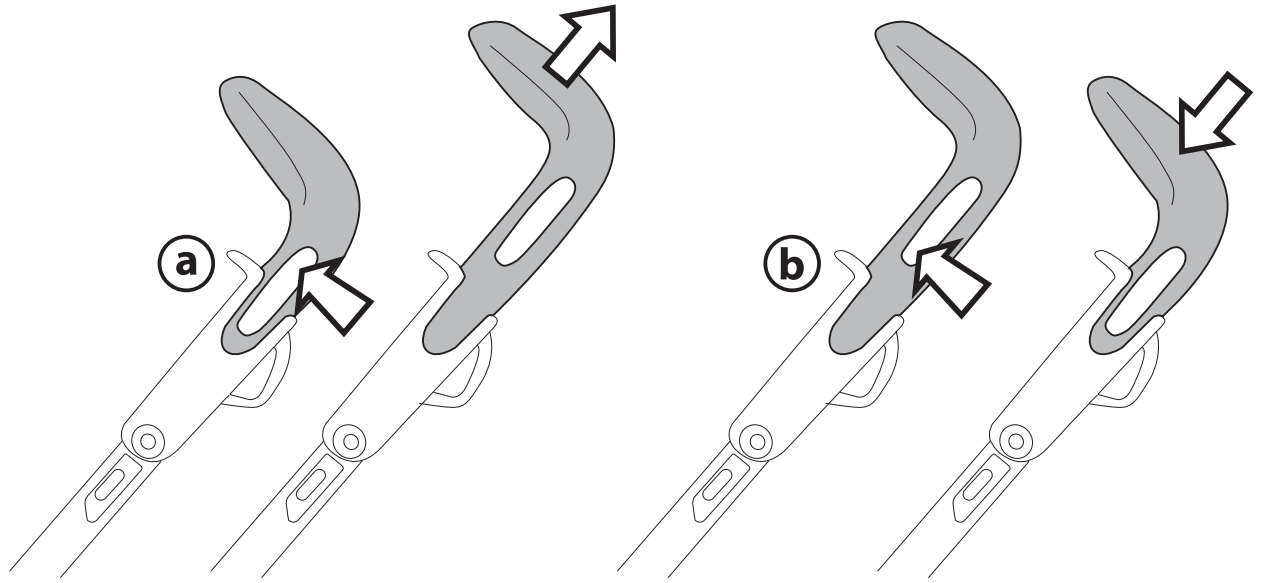
5



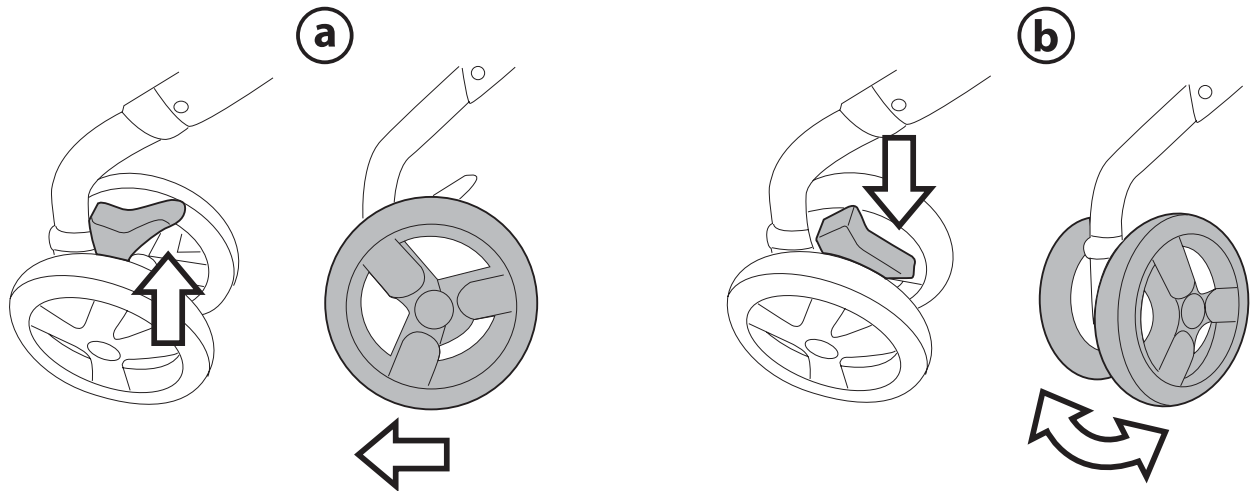
6



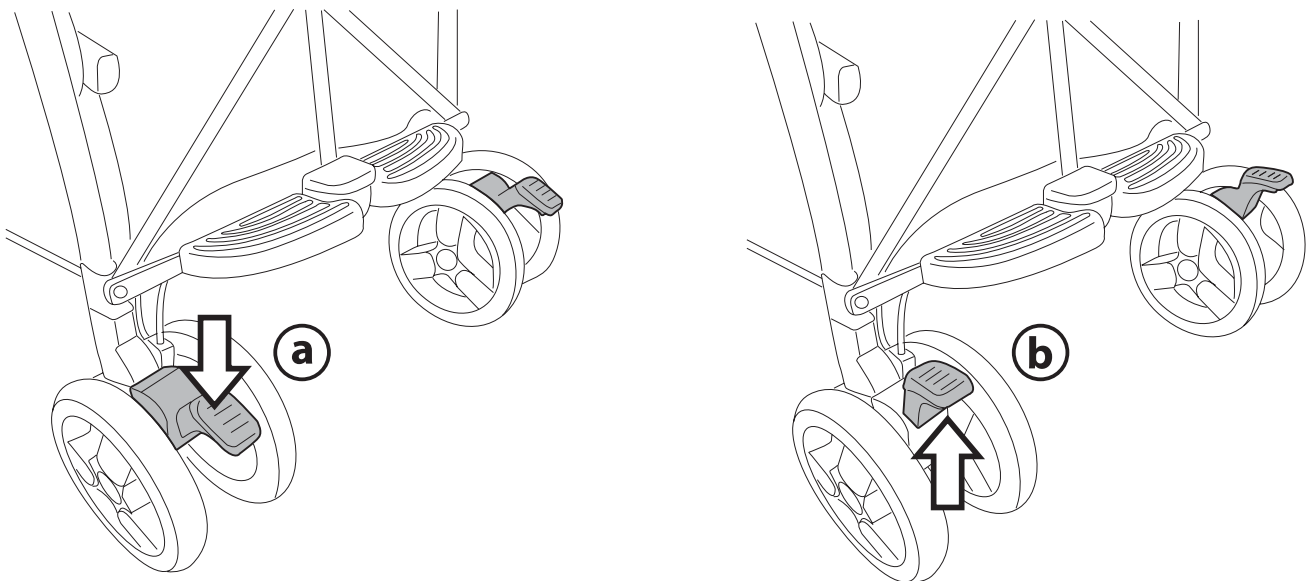
7



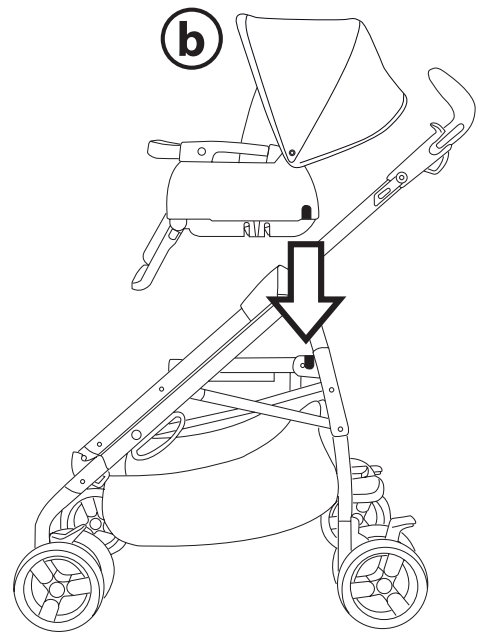
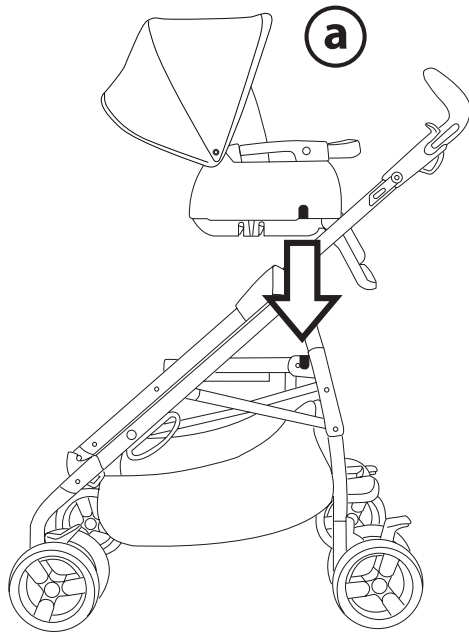
8



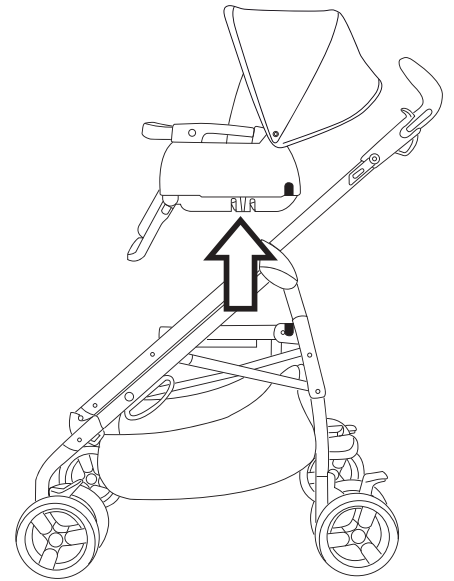
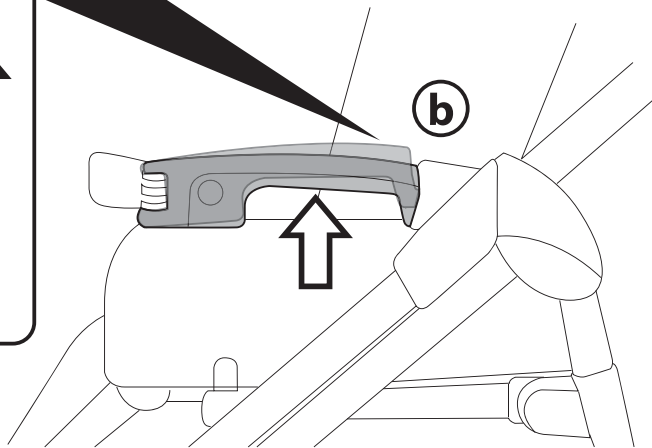
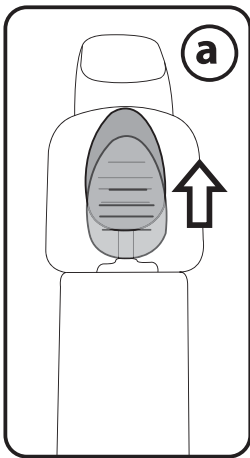
9



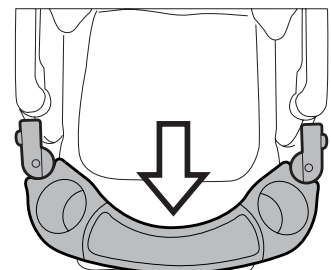
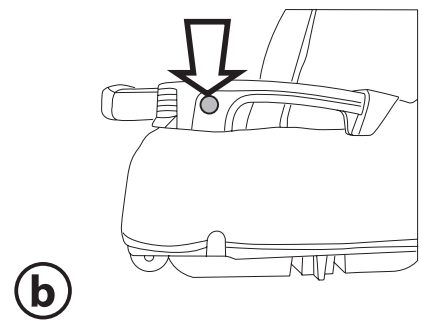
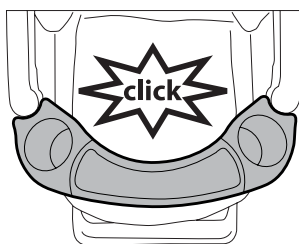
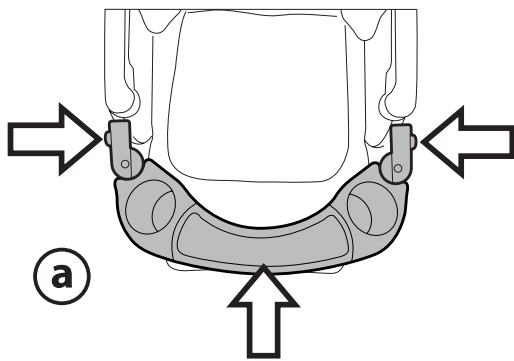
10



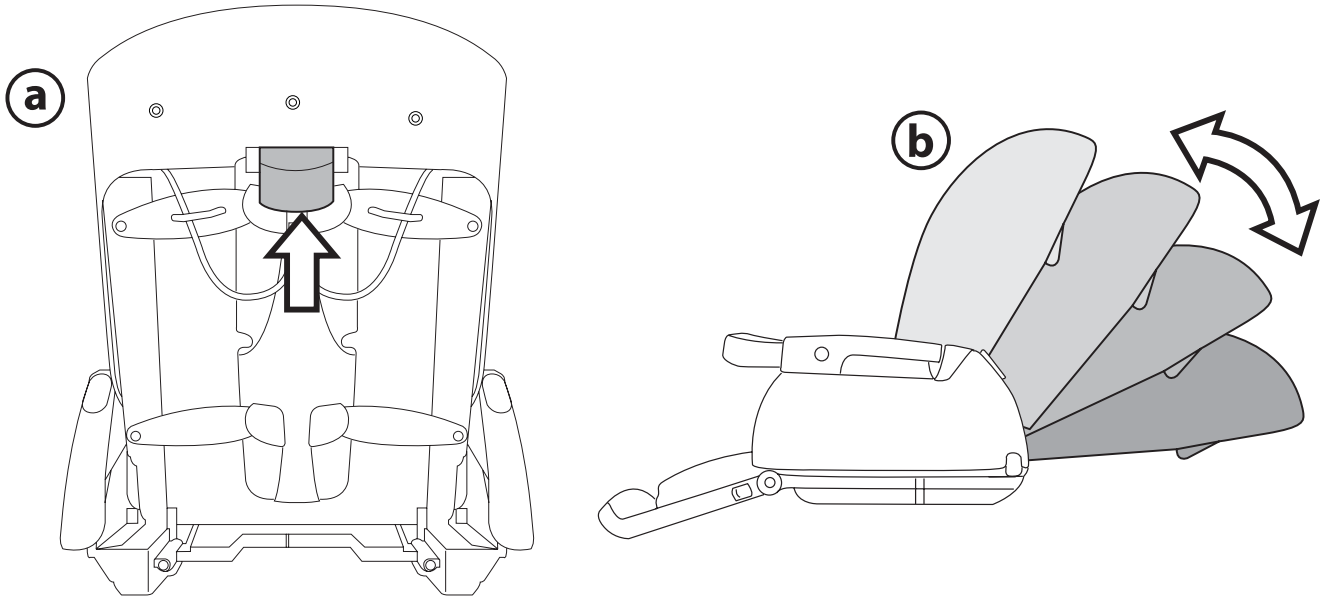
11



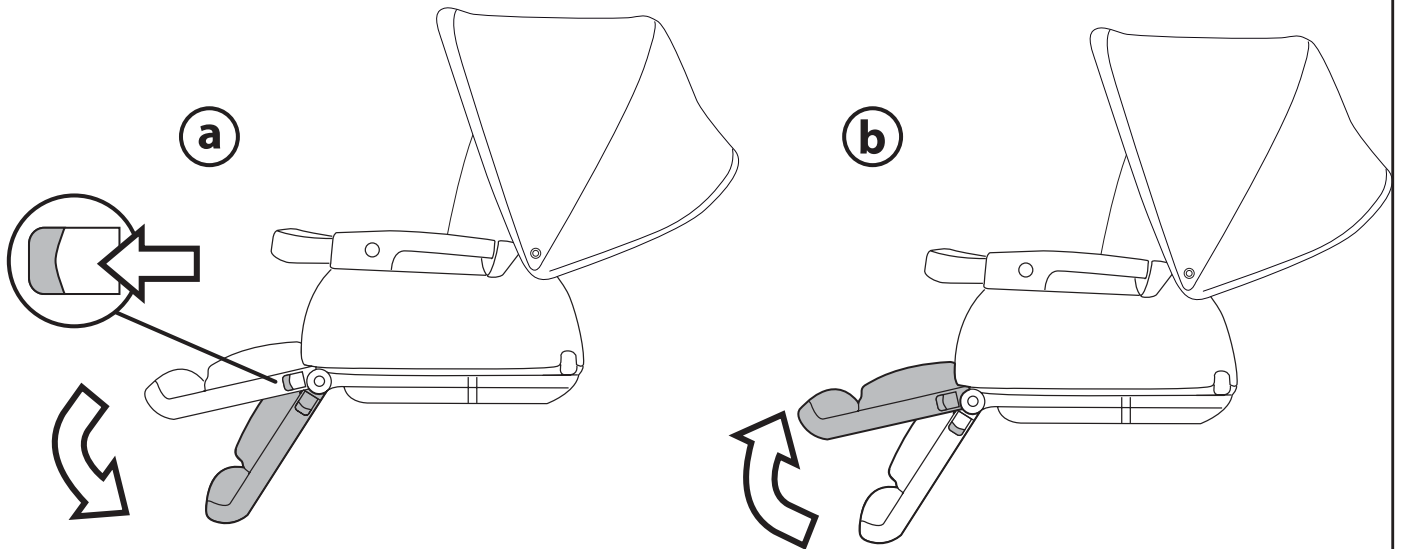
12



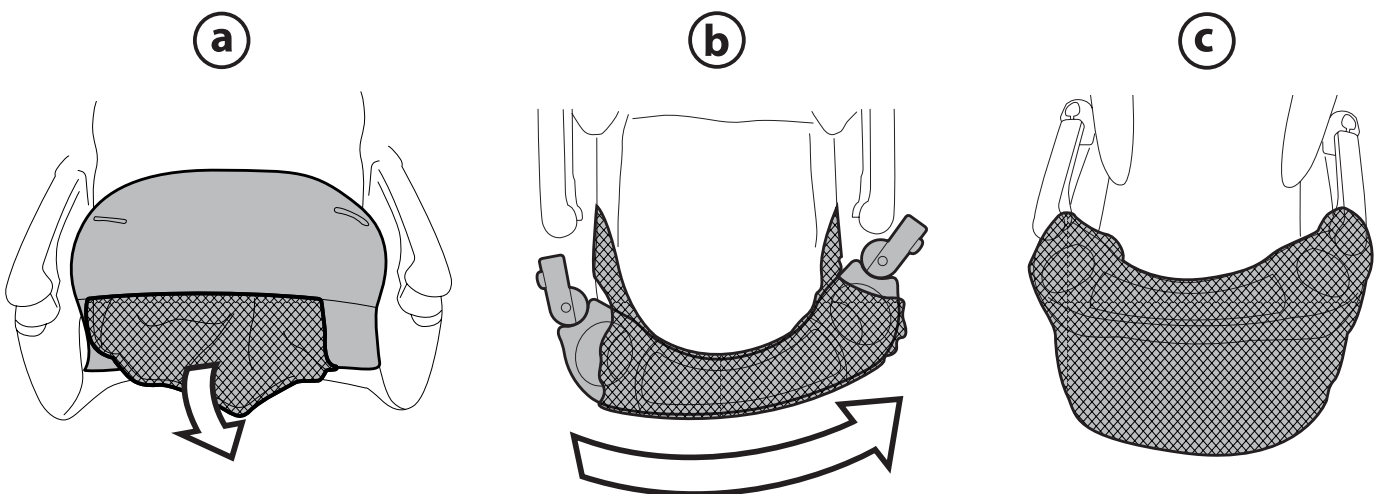
13



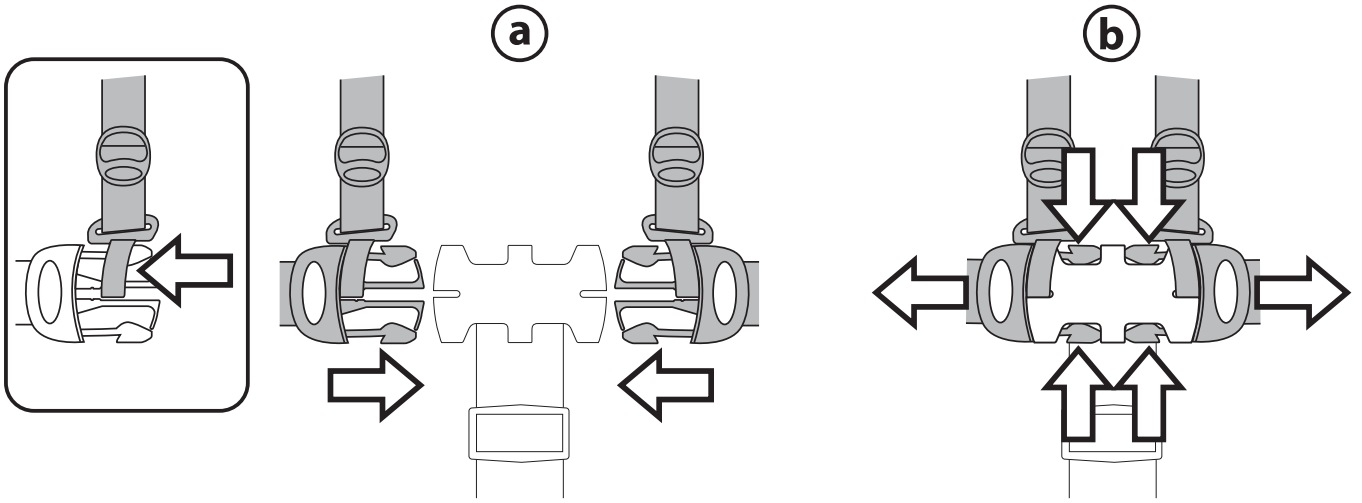
14



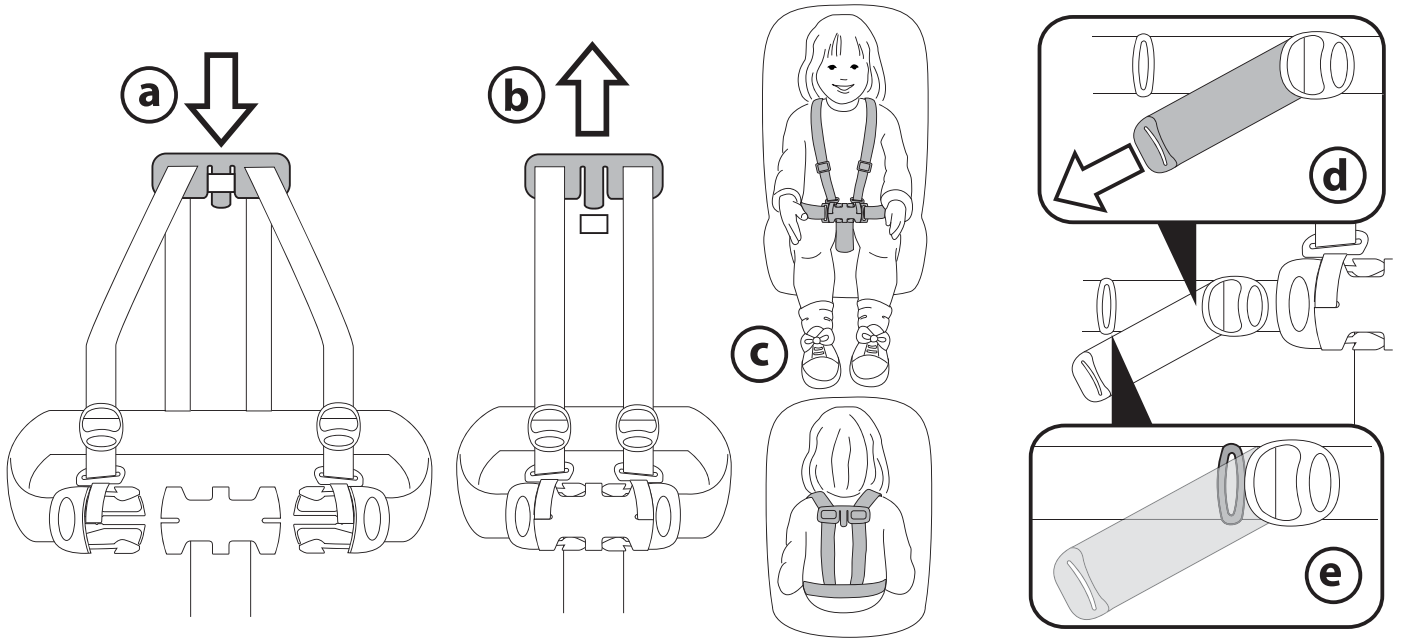
15



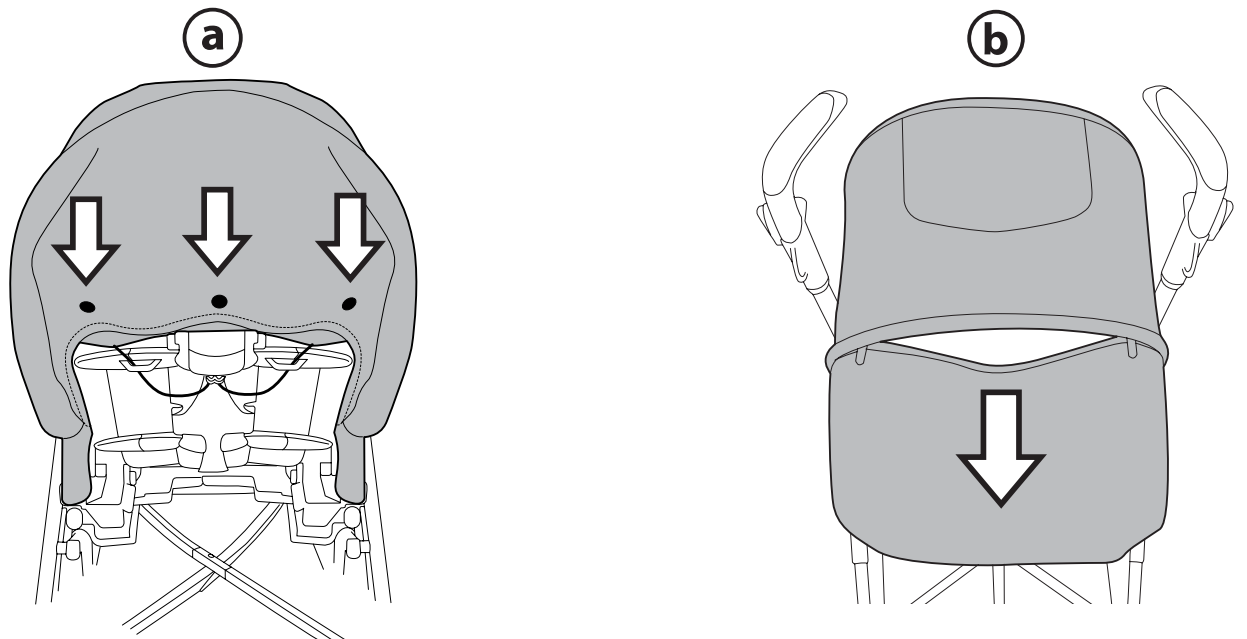
16



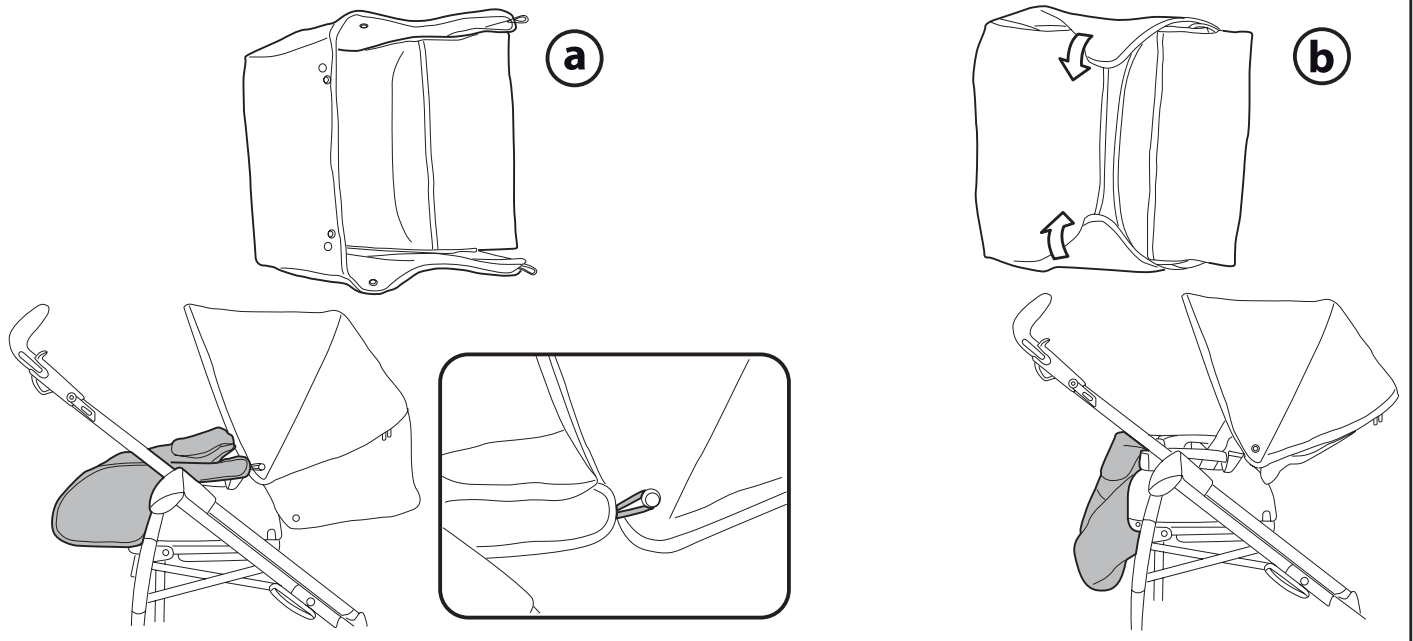
17



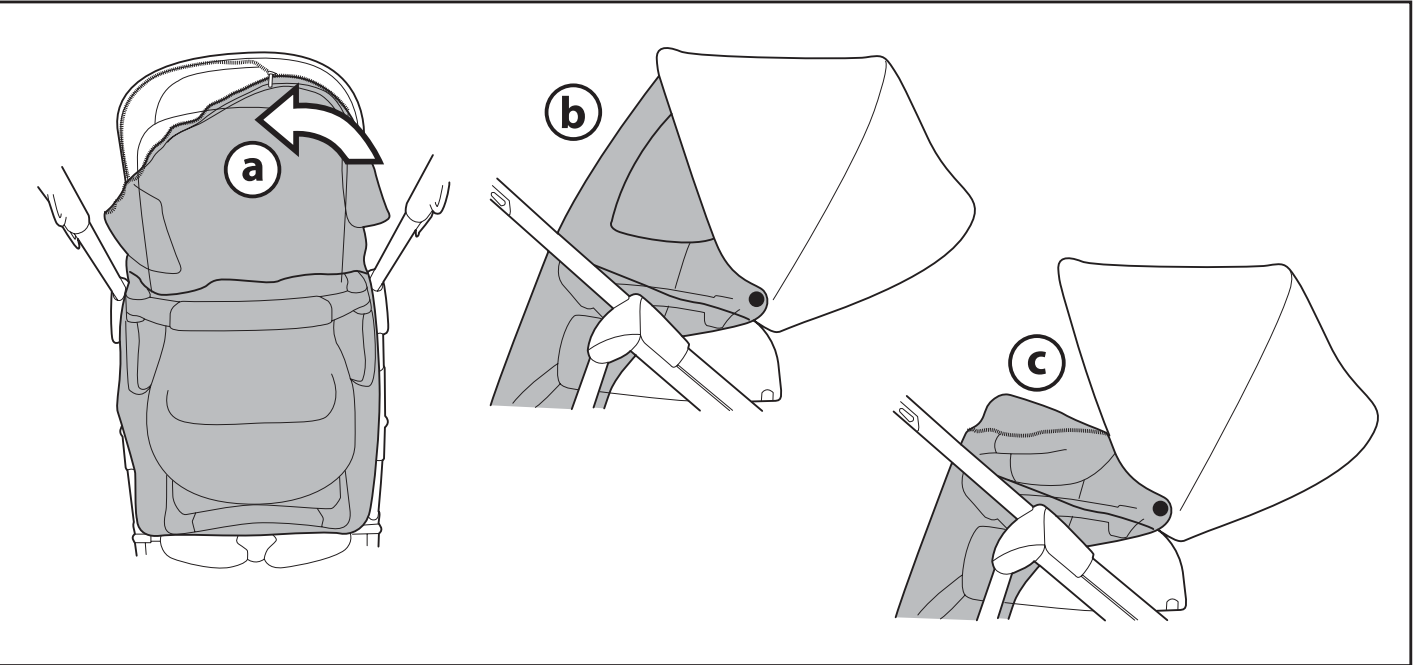
18



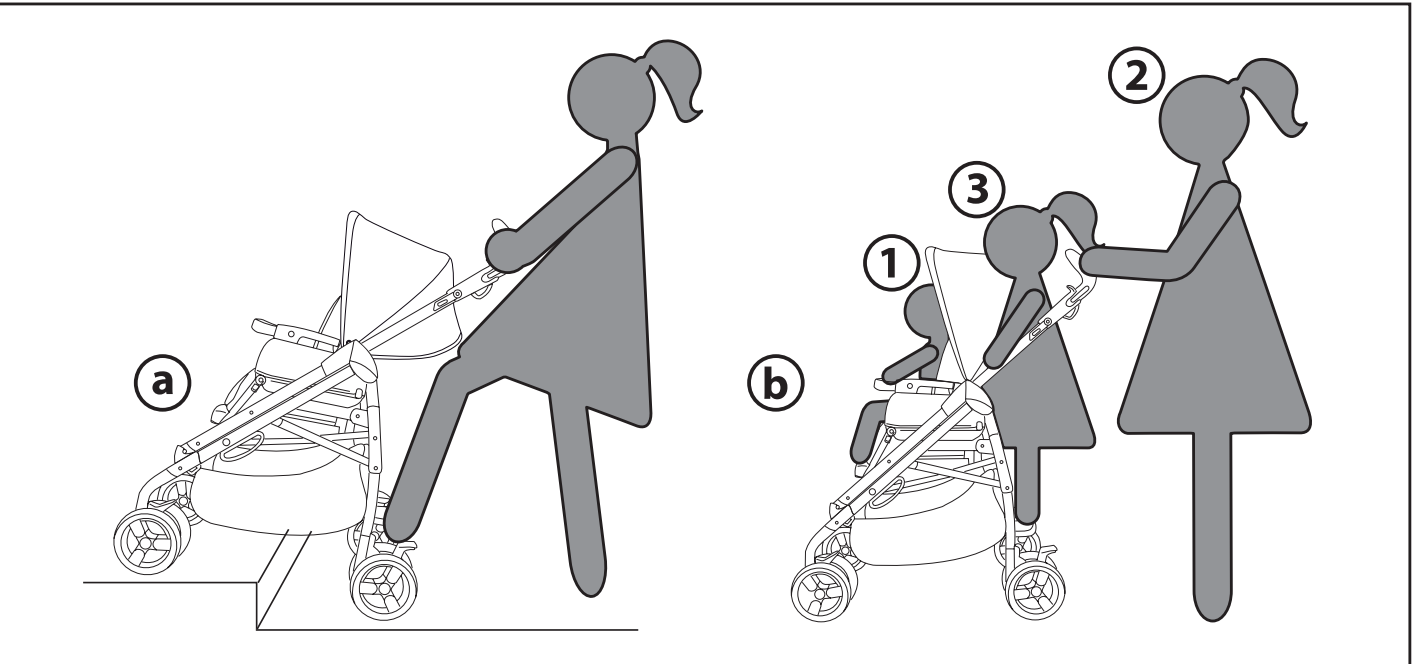
19



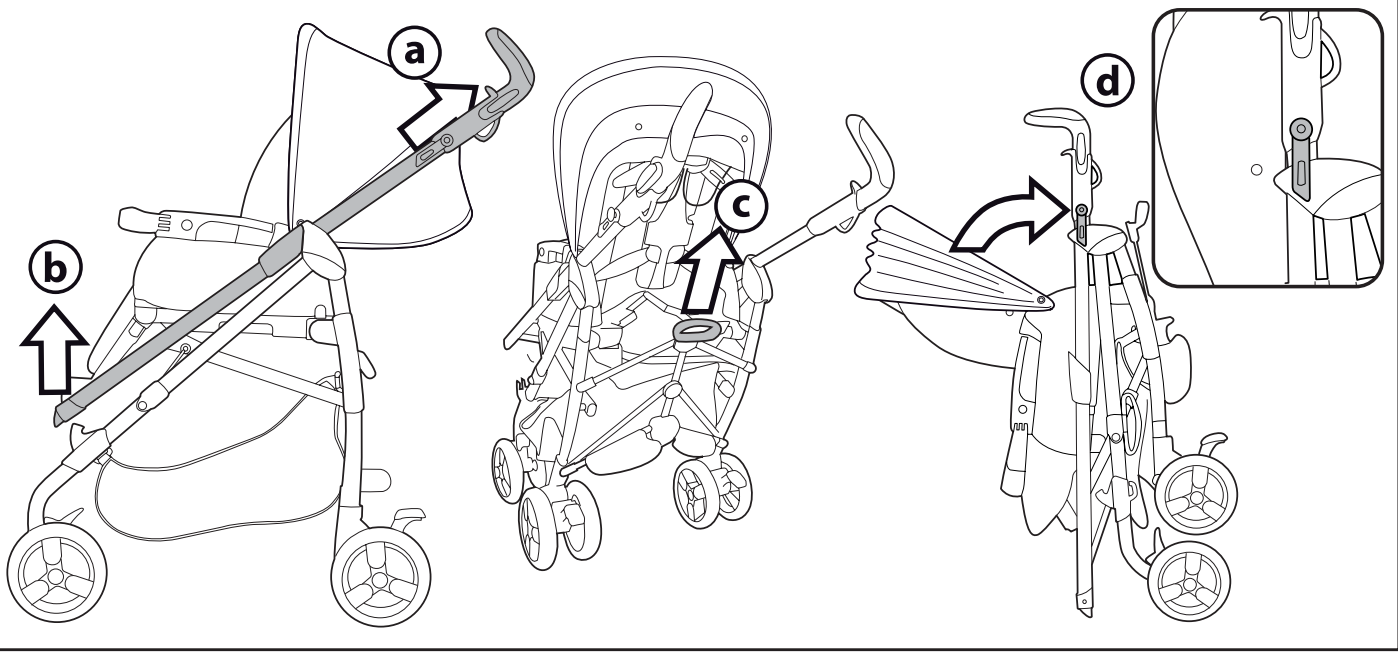
20



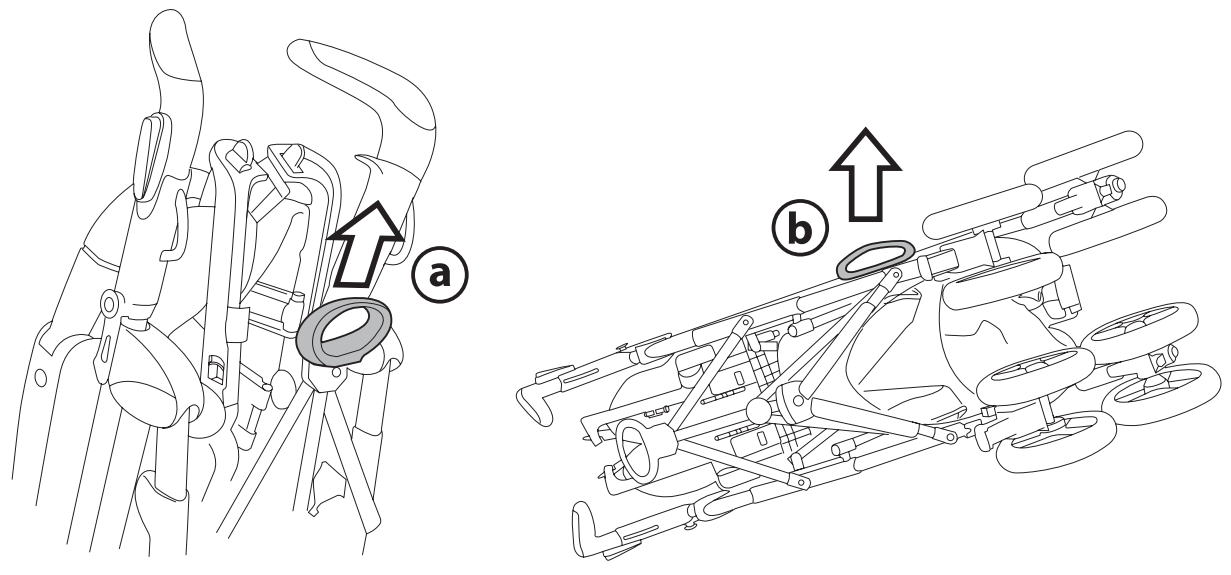
21



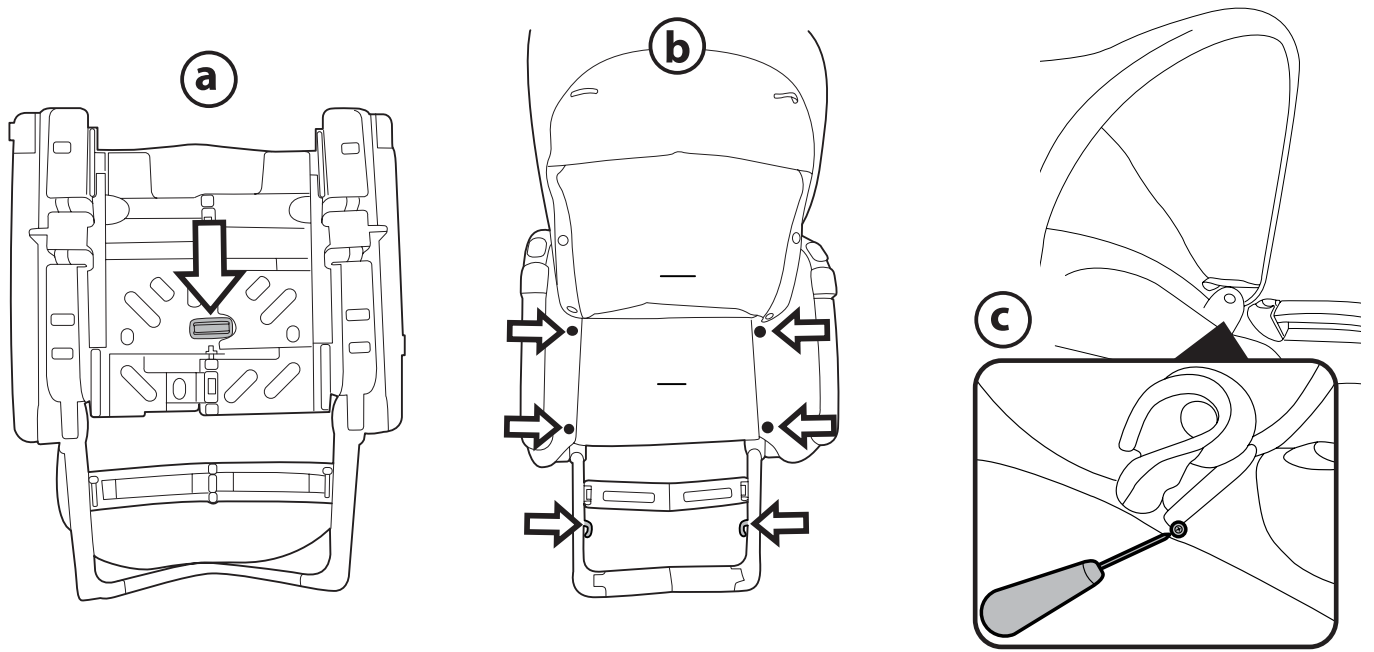
22



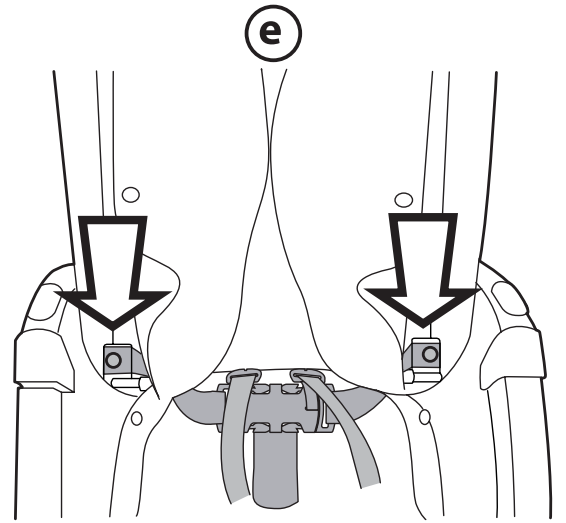
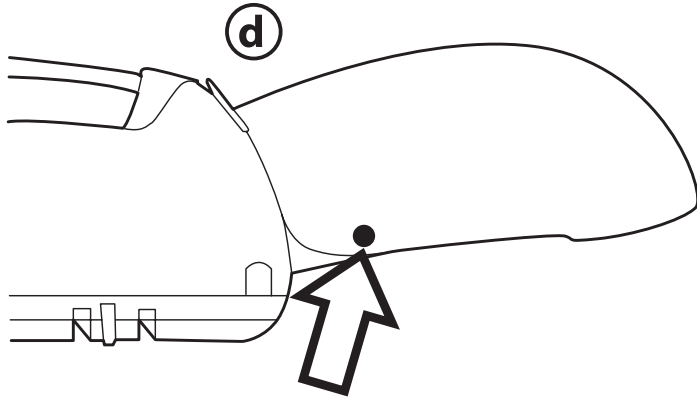
23



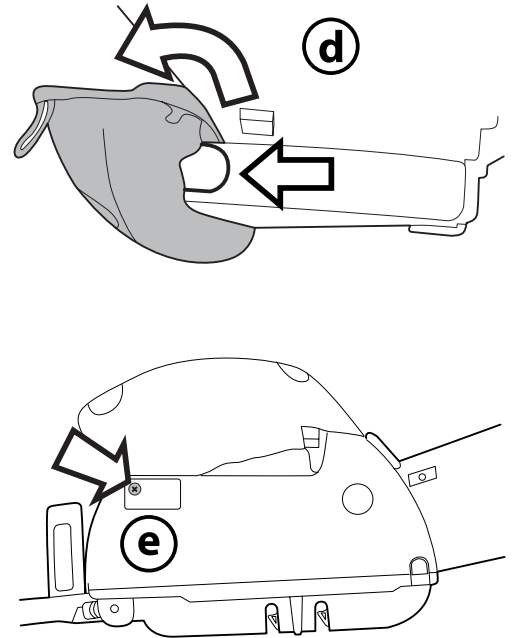
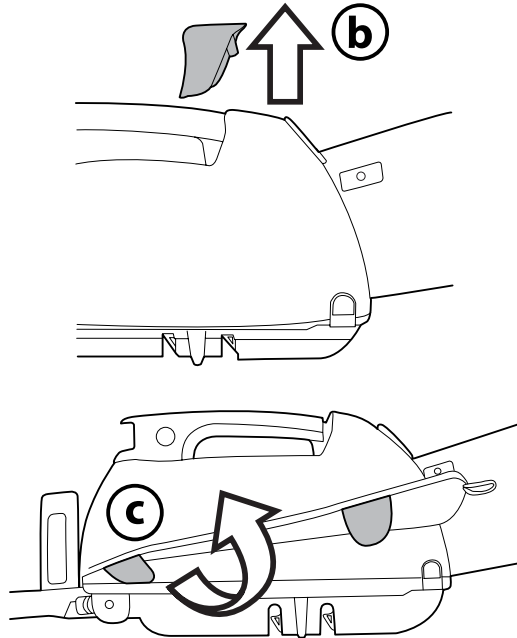
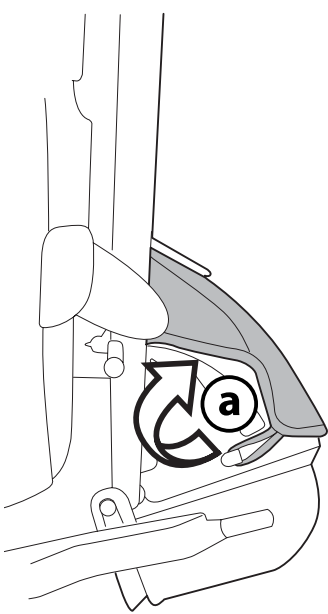
24



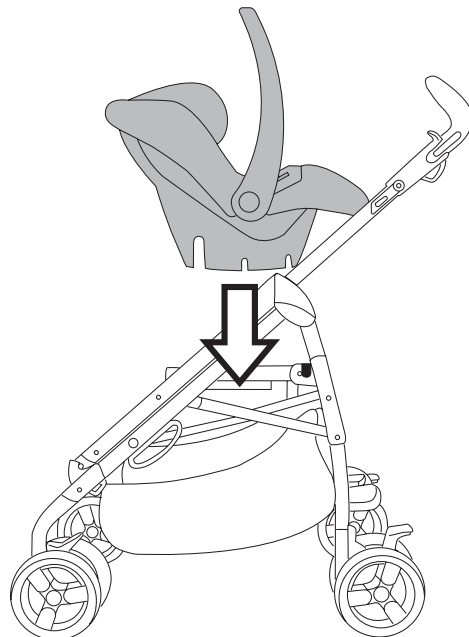
25

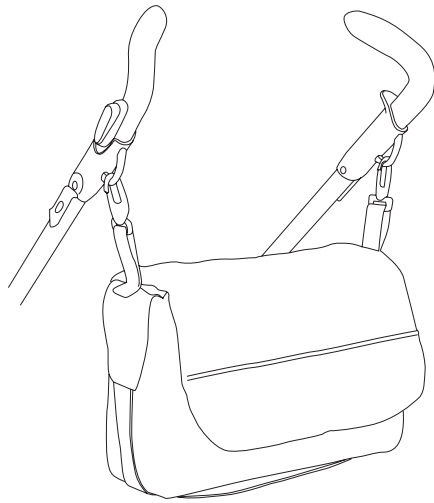


26

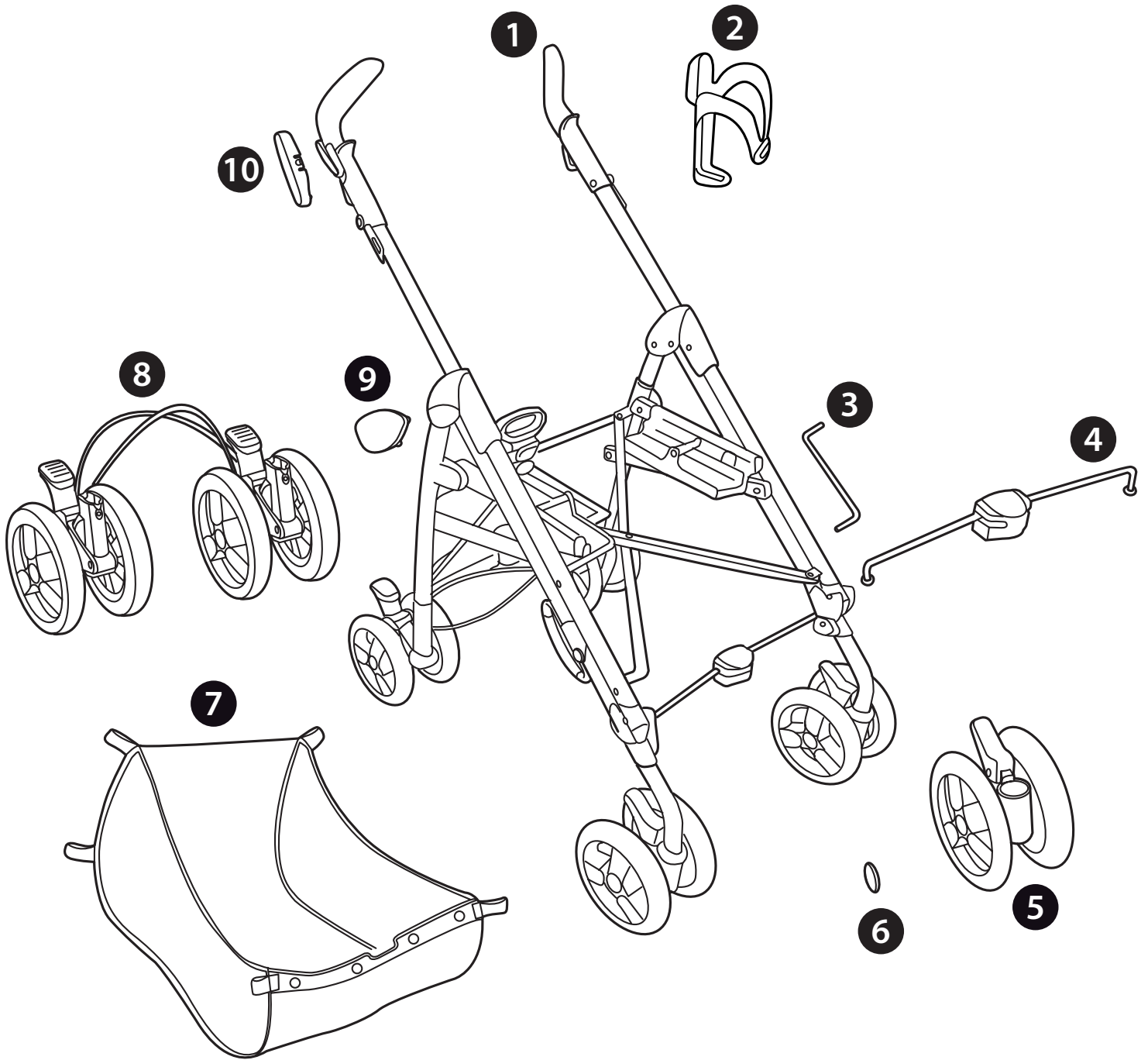


27



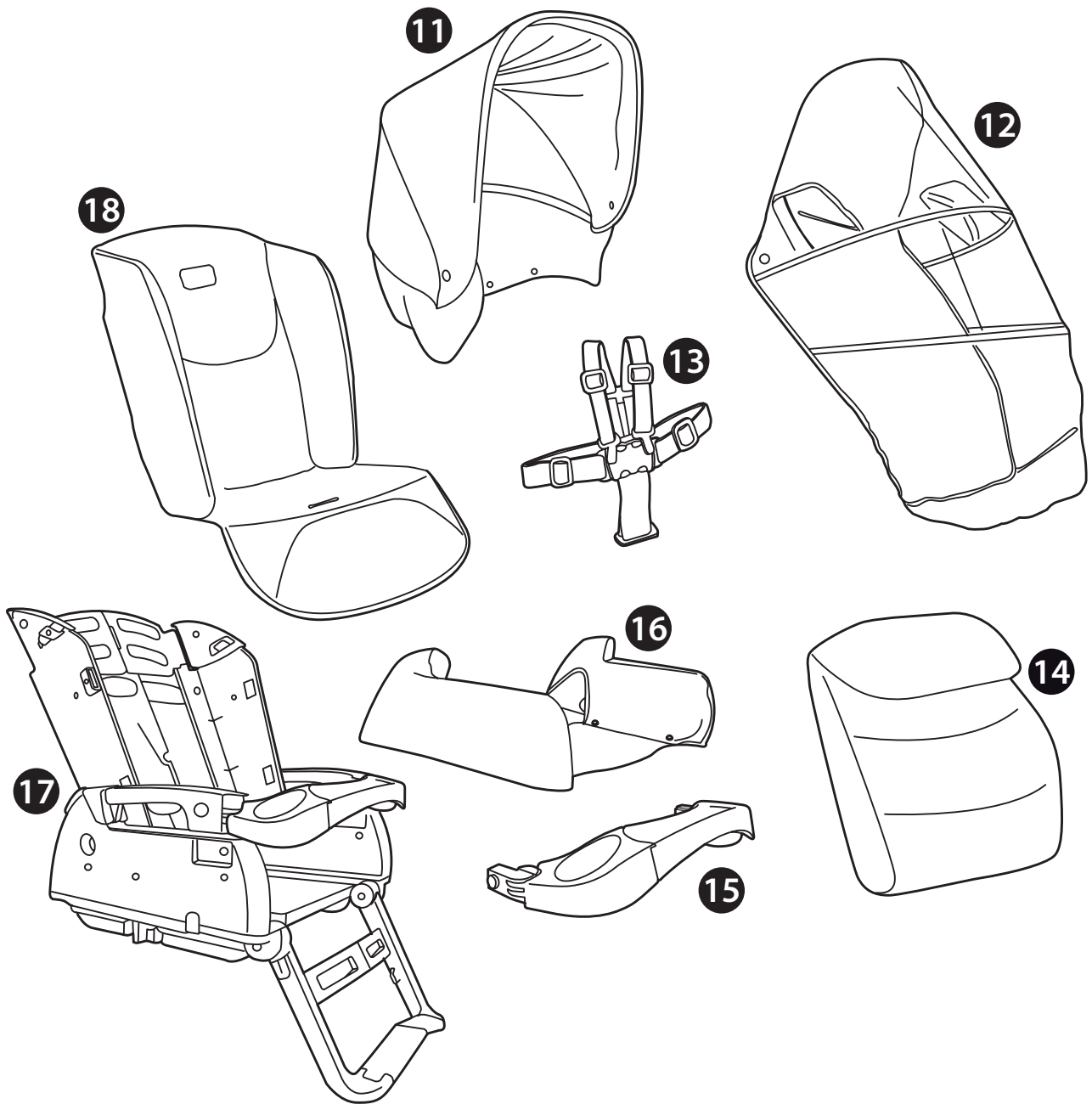


Pliko Switch



- | | |
|------------------|----------------|
| 1) ITPPSW• | 10) SPST5332GR |
| 2) SAPI6430• | 11) BCAPSW• |
| 3) SOFF0186Z | 12) IRCOVE0009 |
| 4) SPST5846DGR | 13) MUCI5P14• |
| 5) SAPI6049J• | 14) BCOPSW• |
| 6) SPST6049• | 15) SAPI6546• |
| 7) ERSHSW00-NY• | 16) BLAPSW• |
| 8) SAPI6097J• | 17) ITSPSW• |
| 9dx) SPST5846DGR | 18) BSAPSW• |
| 9sx) SPST5846SGR | |

Pliko Switch



EN• Spare parts available in different colors to be specified when ordering.

ES• Repuestos disponibles en otros colores que se especificarán en el pedido.

EN_English

Thank you for choosing a Peg-Pérego product.

WARNING

IMPORTANT: READ THESE INSTRUCTIONS CAREFULLY AND KEEP THEM FOR FUTURE REFERENCE. FAILURE TO FOLLOW THESE INSTRUCTIONS COULD PUT THE CHILD'S SAFETY AT RISK.

THIS PRODUCT IS DESIGNED FOR A CHILD WHOSE MAXIMUM WEIGHT IS 45 POUNDS (20 KG) AND WHOSE MAXIMUM HEIGHT IS 43 INCHES (110 CM). THIS SHOPPER BASKET IS DESIGNED TO CARRY A MAXIMUM WEIGHT OF 11 POUNDS (5 KG). ANY CUPHOLDER EVENTUALLY PROVIDED WITH THIS UNIT IS DESIGNED TO CARRY A MAXIMUM WEIGHT SPECIFIED ON THE CUPHOLDER ITSELF. ANY POACH OR POCKET PROVIDED WITH THIS UNIT IS DESIGNED TO CARRY A MAXIMUM WEIGHT OF 0.44 POUNDS (0.2 KG).

FAILURE TO FOLLOW MANUFACTURER'S SPECIFICATIONS OR USE OF ACCESSORIES OTHER THAN THOSE APPROVED BY THE MANUFACTURER MAY CAUSE THE UNIT TO BECOME UNSTABLE.

AVOID SERIOUS INJURY FROM FALLING OR SLIDING OUT. ALWAYS USE COMPLETE 5 POINT SEAT BELT.

NEVER LEAVE YOUR CHILD UNATTENDED.

ALWAYS USE ALL THE BRAKES WHEN EVER PARKED.

TO AVOID SERIOUS INJURY, WHEN MAKING ADJUSTMENTS ENSURE THE CHILD'S BODY IS CLEAR OF ALL MOVING PARTS.

ALL OPERATING AND ASSEMBLY PROCEDURES SHOULD BE PERFORMED BY AN ADULT.

DO NOT LIFT THE STROLLER BY GRIPPING THE FRONT BAR. THE FRONT BAR IS NOT DESIGNED TO WITH STAND LOADS.

ENSURE THAT THE STROLLER IS OPENED CORRECTLY AND LOCKED IN POSITION OF USE.

CHECK TO MAKE SURE THAT THE CAR SEAT OR THE BABY CARRIAGE IS CORRECTLY FASTENED TO THE STROLLER (WHERE APPLICABLE).

DO NOT DRIVE THIS PRODUCT AROUND STAIRS OR STEPS; CARE MUST BE TAKEN IF UNIT IS USED ON STAIRS OR ESCALATORS.

DO NOT USE THE PRODUCT IF IT HAS BROKEN OR MISSING PARTS.

DO NOT USE NEAR FIRE OR EXPOSED FLAME.

NOTICE: THIS ARTICLE MEETS OR EXCEEDS ALL REQUIREMENTS COVERED IN ASTM F833 STANDARD AND LATEST REVISIONS.

FEATURES OF THE ITEM

The item has a specific serial number.

Pliko Switch is a stroller with a reversible seat: facing the person pushing or facing forwards.

- Pliko Switch is made up of two elements: Pliko Switch CHASSIS and Pliko Switch SEAT.

COMPONENTS OF THE ITEM

Check the contents of the packaging and if you have any questions please contact the Assistance Service see warranty for details.

- Pliko Switch Chassis: basket; 2 swivelling or locking front wheels; 2 rear wheels with brake cable and cup holder.
- Pliko Switch Seat: front bar; hood; cover; rain canopy.

INSTRUCTIONS

- 1 **PACKING PROTECTION:** before opening the chassis remove the protection (fig_a), otherwise it will not open correctly (fig_b).
- 2 **OPENING:** raise the two levers together (fig_a) and pull upwards until the chassis is completely open (fig_b). Check that the chassis is correctly opened: the side tubes must be locked together (fig_c).
- 3 **INSTALLING THE FRONT WHEELS:** press the lever of the two front wheels (fig_a), insert the wheel until it clicks into place (fig_b) and check that it is securely attached (fig_c).
- 4 **INSTALLING THE REAR WHEELS:** carefully distinguish between the two rear wheels connected by the brake cable: the rear left wheel features a slot that matches a corresponding rib on the rear left chassis tube. Press in the wheels until they click into place (fig_a) and check that they are firmly attached (fig_b).
- 5 **ATTACHING THE BASKET:** insert the loops over the front hooks (fig_a) and rear hooks (fig_b) and button down the two flaps around the front tube (fig_c).
- 6 **ATTACHING THE CUP HOLDER:** insert the cup holder on the corresponding peg and press down until it clicks into place (fig_a). The cup holder can be attached to either side of the chassis.
- 7 **EXTENDABLE HANDLES:** to extend the handles press the top of the button and pull upwards the same time (fig_a); to retract the handles press the bottom of the button and push the handle downwards at the same time (fig_b).
- 8 **FIXED OR SWIVELLING FRONT WHEELS:** lift the levers to prevent the front wheels from swivelling (fig_a), lower the levers to allow the front wheels to swivel (fig_b). On uneven surfaces the wheels should be set to their fixed position.
- 9 **REAR WHEELS WITH CENTRAL BRAKE CABLE:** press a brake lever to set the brake (fig_a), lift the lever to release it (fig_b).
- 10 **MOUNTING THE SEAT TO THE CHASSIS:** the reversible seat can be attached to the chassis either facing the person pushing the stroller (fig_a), or facing forwards (fig_b), place the seat on the chassis so that it is aligned with the relative symbols and press downwards with both hands until you hear two clicks confirming that it has locked into position. Ensure the seat is correctly secured by attempting to pull it upwards by gripping the front bar.
- 11 **REMOVING THE SEAT FROM THE CHASSIS:** move the two levers in the direction of the arrow (fig_a) and squeeze the two handles up (fig_b) to release. Pull the two handles upwards until the seat is released. The seat can be removed from and re-attached to the chassis when it is occupied by a child.
- 12 **FRONT BAR:** to attach the front bar, slide the connections into the end of the armrests, press the two side buttons and push the bar towards the seat until it clicks into place (fig_a). To remove the front bar press the two buttons and pull it outwards (fig_b). Open the front bar at one side only so that the child can be positioned in or removed from the seat more easily.

- 13 **BACKREST:** to recline the backrest lift the lever (fig_a) and choose one of the 4 positions (fig_b).
- 14 **FOOTREST:** to lower the footrest push the two levers downwards and then push the footrest downwards (fig_a); to raise the footrest lift it upwards (fig_b).
- 15 **BABY SAFE SYSTEM:** the stroller is fitted with a Baby Safe system which prevents the child from slipping forwards when lying down. Pull the Baby Safe netting out of the pocket under the rear ledge (fig_a), release the front bar, insert it into the netting (fig_b) and reattach the front bar. Figure C shows the Baby Safe netting in place.
- 16 **5-POINT SAFETY HARNESS:** to attach the safety harness, insert the two buckles of the waist strap (with shoulder straps attached) into the leg divider strap until it clicks into place (fig_a). To release, press both sides of the buckle and pull the waist strap to the sides at the same time (fig_b).
- 17 To secure the child with the safety harness, insert the shoulder strap buckle in the special holder on the backrest (fig_a) and, after fastening the harness, detach the buckle from the backrest to allow the child more freedom of movement (fig_b). Position the shoulder strap buckle just below the child's shoulders to ensure the straps remain in place without slipping (fig_c). To tighten the waist strap, pull on both sides in the direction of the arrow (fig_d). To loosen it do the opposite. The waist strap can be tightened as far as the safety lock (fig_e).
- 18 **HOOD:** to open the hood, pull it forward. To close, push it backwards (fig_a). To convert the hood into a sun canopy, open the double zipper (fig_c) and unfasten the snaps on the rear of the backrest.
- 19 **COVER:** the cover can be used with the footrest in its raised position (fig_a): fit the cover, button under the footrest and position above the front bar, securing with the elastic loops to the hood buttons; alternatively, with the footrest lowered (fig_b): close the two side buttons of the cover, fit the cover, button it under the footrest and insert it under the front bar, securing it with the lateral magnets.
- 20 **RAIN CANOPY:** to attach, zip the rain canopy to the hood zip, fit under the footrest (fig_a) and insert the two lateral loops over the hood buttons (fig_b). If you wish to temporarily lower the rain canopy simply open the zip; the canopy will remain attached to the side buttons (fig_c).
- 21 **REAR LEDGE:** the rear ledge makes it easier to negotiate curbs (fig_a) and can also be used to transport a second child (fig_b). To use the stroller with two children, apply the brakes, position the smaller child in the seat and attach the safety harness (1). Grip the handles (2) and help the second child to climb onto the ledge (3).
- 22 **FOLDING:** the stroller can be folded without the seat, with the seat facing the person pushing the stroller, or with the seat facing forwards. If the seat is facing the person pushing the stroller: before folding it, lower the backrest completely; if the seat is facing forwards: before folding the stroller raise the backrest, and once it is folded, lower it. To fold the stroller set the front wheels to their fixed position and close the hood. Lift the two levers of the handles together and push directly toward the ground to release the side tubes (fig_a-b), pull the central handle upwards (fig_c) until the safety catches engage (fig_d). When folded the stroller will stand upright without support.
- 23 **TRANSPORT:** the stroller can be carried by the central handle, keeping the front wheels fixed (fig_a) or by the side handle (fig_b).
- 24 **REMOVING THE INTERNAL LINING:** remove the leg divider strap (fig_a) from the top (by pushing it up from under the seat), detach the two elastic loops of the sack from the footrest and undo the four buttons on the seat (fig_b); Use a screwdriver to remove the hood fastener, then remove the hood (fig_c),
- 25 undo the two snaps at the sides of the backrest and slip off the lining (fig_d), unscrewing the safety belts from both sides (fig_e).
- 26 **REMOVING THE OUTER LINING:** first remove the internal lining, then with the backrest in its raised position detach the two elastic loops on the inside (fig_a), detach the two

covers (fig_b), extract the four tabs (fig_c), slip the outer lining off the hood tabs (fig_d) and unscrew the handle from both sides to complete the operation (fig_e).

GANCIOMATIC SYSTEM

- 27 Ganciomatic is a fast and practical system that allows you to attach the Primo Viaggio car seat or the Pliko Switch seat to the Ganciomatic Base of the chassis in one quick step.

Place the item on the Ganciomatic Base and press down with both hands until it clicks into place.

Always apply the chassis or stroller brake before attaching and removing products (refer to the respective instruction manuals).

Check that the child transport unit is properly attached.

ACCESSORY

- 28 BORSA CAMBIO. Diaper-Changing Bag with pad for changing the baby. Attaches to the stroller.

CLEANING AND MAINTENANCE

PRODUCT MAINTENANCE: protect from the weather: water, rain, or snow; prolonged and continuous exposure to bright sunlight may give rise to colour changes of various different materials; store this product in a dry place.

CLEANING THE CHASSIS: periodically clean all plastic parts with a damp cloth. Do not use solvent or similar cleaning products; keep all metal parts dry to prevent rusting; keep moving parts clean (adjustment mechanisms, locking mechanisms, wheels, ...) and free of dust and sand and, if necessary, lubricate with light machine oil.

CLEANING THE RAIN CANOPY: wash with a sponge and soapy water; do not use detergents.

CLEANING FABRIC PARTS: brush fabric parts to remove dust and wash by hand at a maximum temperature of 30°C; do not wring; do not use chlorine bleach, do not iron; do not dry clean; do not apply solvent-based stain removers and do not dry in a tumble dryer.



PEG-PÉREGO S.p.A.

Peg Pérego can make changes at any time to the models described in this publication for technical or commercial reasons.

PEG-PÉREGO AFTER-SALES SERVICE

If any parts of your Peg Pérego product should be accidentally mislaid or damaged, use exclusively genuine original Peg Pérego replacements. For any repairs, replacements, product information, and orders for genuine original replacement parts and accessories, contact Peg Pérego After-Sales Service:

USA

tel. 800.671.1701 fax 260.471.6332

call us toll free 1.800.671.1701 website www.pegperego.com

ES_Español

Le agradecemos haber elegido un producto Peg-Pérego.

ADVERTENCIA

IMPORTANTE: LEER ATENTAMENTE ESTAS INSTRUCCIONES Y CONSERVARLAS PARA UNA FUTURA UTILIZACIÓN. SI NO SE SIGUEN ESTAS INSTRUCCIONES, SE PODRÍA ARRIESGAR LA SEGURIDAD DEL NIÑO.

DISEÑADO PARA UN NIÑO CON UN PESO MÁXIMO DE 20 KG Y UNA ALTURA MÁXIMA DE 110 CM. LA CESTILLA HA SIDO REALIZADA PARA SOPORTAR UN PESO MÁXIMO DE 5 KG. LOS POSIBLES PORTABEBIDAS QUE VAN CON ESTE PRODUCTO ESTÁN CONCEBIDOS PARA SOPORTAR EL PESO MÁXIMO ESPECIFICADO EN EL PORTABEBIDAS EN CUESTIÓN. CUALQUIER BOLSA ENTREGADA JUNTO AL PRODUCTO ESTÁ REALIZADA PARA SOPORTAR UN PESO MÁXIMO DE 0,2 KG.

SI NO SE RESPETAN LAS INDICACIONES ESPECIFICADAS O SI SE USAN ACCESORIOS DIFERENTES DE LOS HOMOLOGADOS POR EL FABRICANTE, EL PRODUCTO PUEDE SER INESTABLE.

PARA EVITAR LESIONES GRAVES POR CAÍDAS O SI ESCAPA EL NIÑO DE LA SILLA DE PASEO, USAR SIEMPRE UN CINTURÓN DE SEGURIDAD DE 5 PUNTOS COMPLETO.

NO DEJAR NUNCA AL NIÑO SIN VIGILANCIA.

USAR SIEMPRE TODOS LOS DISPOSITIVOS DE BLOQUEO CADA VEZ QUE LA SILLA DE PASEO NO ESTÉ EN MOVIMIENTO.

PARA EVITAR LESIONES GRAVES, ASEGURARSE DE QUE EL NIÑO NO PUEDA MOVERSE PELIGROSAMENTE MIENTRAS SE REGULA EL PRODUCTO.

TODAS LAS OPERACIONES DE ENSAMBLAJE DEBE REALIZARLAS SOLO UN ADULTO.

NO LEVANTAR LA SILLA DE PASEO COGIÉNDOLA POR LA BARRA FRONTAL. LA BARRA FRONTAL NO HA SIDO CONCEBIDA PARA SOPORTAR PESOS.

ASEGURARSE DE QUE LA SILLA DE PASEO ESTÉ ABIERTA CORRECTAMENTE Y BLOQUEADA EN LA POSICIÓN CORRECTA PARA SU UTILIZACIÓN.

ASEGURARSE DE QUE LA SILLA DE AUTO O EL COCHECITO ESTÉN ENGANCHADOS CORRECTAMENTE A LA SILLA DE PASEO.

NO USAR LA SILLA DE PASEO CERCA DE ESCALERAS O ESCALONES; PRESTAR ATENCIÓN CUANDO SE UTILIZA EN ESCALERAS O ESCALERAS MECÁNICAS.

NO UTILIZAR EL PRODUCTO SI PRESENTA PARTES DAÑADAS O SI FALTA ALGUNA PARTE.

NO USAR EN PRESENCIA DE LLAMAS O FUENTES DE CALOR.

- AVISO: ESTE PRODUCTO CUMPLE SUFICIENTEMENTE CON TODOS LOS REQUISITOS ESTABLECIDOS POR LA NORMA ASTM F833 Y ULTERIORES REVISIONES.

CARACTERÍSTICAS DEL ARTÍCULO

- Este artículo se ha enumerado progresivamente.
- Pliko Switch es una silla de paseo con sillita reversible: hacia mamá o hacia el mundo.
- Pliko Switch se compone de dos elementos: CHASIS-Pliko Switch y SILLITA-Pliko Switch.

COMPONENTES DEL ARTÍCULO

Comprobar el contenido presente en el embalaje y contactar al Servicio de Asistencia en caso de reclamación.

- Chasis-Pliko Switch: cesta; 2 ruedas delanteras pivotantes o con bloqueador; 2 ruedas posteriores con freno de cable y portabebidas.
- Sillita-Pliko Switch: barra frontal; capota; cubrepíés; protector de lluvia.

INSTRUCCIONES DE USO

- 1 PROTECCIONES EMBALAJE: antes de abrir el chasis deben desmontarse las protecciones (fig. a), sino el chasis no se abrirá correctamente (fig. b).
- 2 APERTURA: alzar al mismo tiempo las palancas de las dos asas (fig. a) y tirar hacia arriba hasta abrir el chasis (fig. b). Comprobar su correcta apertura. Los tubos laterales deben estar bien acoplados entre sí (fig. c).
- 3 MONTAJE RUEDAS DELANTERAS: bajar la palanca de las dos ruedas anteriores (fig. a), meter la rueda hasta oír un “click” (fig. b) y comprobar el correcto enganche (fig. c).
- 4 MONTAJE RUEDAS TRASERAS: diferenciar las dos ruedas unidas por el cable de freno. La rueda izquierda presenta un enganche que debe coincidir con el enganche del tubo posterior izquierdo. Meter las ruedas hasta oír un “click” (fig. a) y comprobar el correcto acoplamiento (fig. b).
- 5 MONTAJE CESTA: encajar los ojales a los ganchos delanteros (fig. a) y a los ganchos posteriores (fig. b) y abotonar a continuación las dos aletas al tubo anterior (fig. c).
- 6 MONTAJE PORTABEBIDAS: encajarlo en el perno hasta oír un “click” (fig. a). Puede ir colocado a ambos lados del chasis.
- 7 ASAS QUE SE EXTIENDEN: para alzar las asas, pulsar sobre el botón superior y simultáneamente alzarlas (fig. a). Para bajarlas, pulsar el botón inferior y simultáneamente bajarlas (fig. b).
- 8 RUEDAS ANTERIORES FIJAS O PIVOTANTES: alzar las palancas para conseguir ruedas fijas (fig. a). Bajar las palancas para conseguir ruedas pivotantes (fig. b). Se aconseja usar ruedas fijas en terrenos difíciles.
- 9 RUEDAS POSTERIORES CON CABLE DE FRENO CENTRALIZADO: presionar una palanca de freno para bloquear el chasis (fig. a) y alzarla para desbloquearlo (fig. b).
- 10 ENGANCHE DE LA SILLA DE PASEO AL CHASIS: la silla reversible puede engancharse al chasis mirando hacia la mamá (fig. a) o mirando hacia la calle (fig. b). Colocarla sobre el chasis respetando los símbolos y presionar hacia abajo con ambas manos hasta oír un doble “click” de enganche. Asegurarse de que la silla se haya acoplado correctamente tirando de ella hacia arriba cogiéndola por la barra frontal.
- 11 DESENGANCHE DE LA SILLA DE PASEO DEL CHASIS: cambiar la posición de las dos palanquitas siguiendo el sentido de la flecha (fig_a) y tirar hacia arriba de las dos asas (fig_

- b) hasta el desenganche. Tirar hacia arriba las dos asas hasta desengancharlas. Es posible desenganchar y volver a enganchar la silla permaneciendo el niño dentro.
- 12 **BARRA FRONTAL:** para enganchar la barra frontal, encajar los acoples en los brazos, pulsar los dos botones laterales y empujar hacia la silla de paseo hasta oír un “click” de enganche (fig. a). Para quitarla, pulsar sobre los dos botones y extraerla (fig. b). Abrir la barra frontal por un sólo lado para facilitar la entrada y la salida del niño.
- 13 **RESPALDO:** para regularlo, alzar el asa (fig. a) y colocarlo como desee en una de las 4 posiciones (fig. b).
- 14 **REPOSAPIÉS:** para bajarlo, empujar hacia abajo las dos palancas (fig. a). Para alzarlo, empujar el reposapiés hacia arriba (fig. b).
- 15 **BABY SAFE:** la silla de paseo está equipada de un sistema Baby Safe que impide que éste se resbale hacia adelante cuando está tumbado. Extraer la red Baby Safe del bolsillo situado bajo el peldaño (fig_a), desenganchar la barra frontal e introducirla en la red (fig_b) y volver a enganchar la barra frontal. La figura C muestra una red Baby Safe puesta.
- 16 **CINTURÓN DE SEGURIDAD 5 PUNTOS:** para engancharlo, meter las dos hebillas de la correa ventral (enganchando los tirantes) en la tira entrepiernas hasta oír un “click” (fig. a). Para desengancharlo, pulsar sobre ambos lados de la hebilla y simultáneamente tirar hacia fuera la correa ventral (fig. b).
- 17 Para ponerse el cinturón de seguridad, introducir el regulador de arnés en la presilla del respaldo (fig. a) y quitarlo después de haber enganchado el cinturón para que el niño pueda moverse (fig. b). Colocar el regulador de arnés justo debajo de los hombros del niño para que no se deslicen. Para apretar el cinturón ventral, tirar de ambos lados siguiendo el sentido de la flecha (fig_d). Para aflojarlo, realizar la operación inversa. El cinturón ventral puede apretarse hasta el limitador de seguridad (fig_e).
- 18 **CAPOTA:** para abrir la capota, tirar de ella hacia adelante. Para cerrarla, empujar hacia atrás (fig_a). Para transformar la capota en parasol, abrir la cremallera con doble cursor (fig. b) y desbotonarla desde el verso del respaldo.
- 19 **CUBREPIÉS:** se puede usar con el reposapiés alzado (fig. a): calzar el cubrepies, abotonarlo debajo del reposapiés y colocarlo sobre la barra frontal fijándolo con unas gomillas elásticas a los botones de la capota. También se puede usar con el reposapiés bajado (fig. b): cerrar los dos botones laterales del cubrepies, calzar el cubrepies, abotonar por debajo del reposapiés y fijarlo debajo de la barra frontal a los botones laterales.
- 20 **PROTECTOR DE LLUVIA:** para engancharlo, unir la cremallera del protector de lluvia a aquella de la capota, calzar debajo del reposapiés (fig. a) e insertar los dos ojales laterales a los botones de la capota (fig. b). En caso desee bajar momentáneamente el protector de lluvia, abrir la cremallera y el protector queda enganchado a los botones laterales (fig. c).
- 21 **PATÍN POSTERIOR:** facilita a la madre a superar pequeños desniveles (fig. a) y para transportar el segundo niño (fig. b). Para utilizar la silla de paseo con dos pequeños, frenar la silla, colocar el niño más pequeño en el asiento y ponerle el cinturón de seguridad (1). Empuñar las manillas (2) y subir al segundo niño sobre el patín (3).
- 22 **CIERRE:** puede realizarse sin la silla de paseo, con la silla mirando hacia la mamá o hacia la calle. Si la silla está mirando hacia la madre: antes de cerrarla, bajar completamente el respaldo. Si la silla está mirando hacia la calle: antes de cerrarla, alzar el respaldo y una vez cerrado bajarlo. Para cerrar, hay que poner las ruedas delanteras fijas, cerrar la capota en caso fuere colocada. Tirar hacia arriba de las dos palancas de las manillas y empujar hacia abajo para desbloquear los tubos laterales (fig. a-b), tirar del manillar centralizado hacia arriba (fig_c) hasta cerrar los ganchos de seguridad (fig. d). La silla de paseo cerrada permanece en pie por sí sola.
- 23 **TRANSPORTE:** se puede transportar por el manillar central llevando las ruedas anteriores fijas (fig. a) o por el manillar lateral (fig. b).
- 24 **DESENFUNDAR EL ACOLCHADO INTERNO:** sacar desde arriba (sosteniendo con una mano la silla de paseo) la tira entrepiernas (fig. a), quitar las dos gomillas elásticas del

- forro del reposapiés y los cuatro botones del asiento (fig. b), utilizar un destornillador para destornillar el enganche de la capota y quitarla (fig_c),
- 25 desabrochar de ambos lados del respaldo los dos botones (fig. d), sacar el acolchado interno y desatornillar de cada lado de la silla de paseo la correa ventral (fig. e).
- 26 **DESENFUNDAR EL ACOLCHADO EXTERNO:** quitar primero el acolchado interno, con el respaldo recto sacar las dos gomillas elásticas del interior (fig. a), desenganchar los dos tapones (fig. b), sacar las cuatro aletas (fig. c), quitar el acolchado externo de los enganches de la capota (fig. d) y destornillar el manillar de ambos lados para concluir esta operación (fig. e).

GANCIOMATIC SYSTEM

- 27 El sistema Ganciomatic es un sistema práctico y veloz que permite enganchar con un solo gesto la silla de auto Primo Viaggio y la silla Pliko Switch al chasis: colocarlos y presionar sobre el producto con ambas manos hasta oír el clic.

Accionar siempre el freno del chasis o del carrito antes de enganchar y desenganchar los productos (consultar los respectivos manuales de instrucciones).

Comprobar que el elemento de transporte del bebé esté correctamente enganchado.

ACCESORIOS

- 28 **BORSA CAMBIO** (Bolso cambiador). Bolso con colchoncito para cambiar al bebé se engancha a la silla de paseo.

LIMPIEZA Y MANTENIMIENTO

MANTENIMIENTO DEL PRODUCTO: proteger contra agentes atmosféricos (agua, lluvia o nieve). Una exposición continua y prolongada al sol podría causar cambios de color de muchos materiales. Conservar este producto en un lugar seco.

LIMPIEZA DEL CHASIS: Limpiar periódicamente las partes de plástico con un paño húmedo sin usar solventes u otros productos similares. Mantener secas todas las partes de metal para prevenir la oxidación. Mantener limpias todas las partes móviles (dispositivo de regulación, de enganche, ruedas...) quitando el polvo o la arena y, en caso necesario, engrasarlas con aceites ligeros.

LIMPIEZA DEL PROTECTOR DE LLUVIA: lavar con una esponja con agua y jabón, sin usar detergentes.

LIMPIEZA DE LAS PARTES DE TEJIDO: cepillar las partes de tejido quitando el polvo y lavar a mano a una temperatura máxima de 30°. No torcer, no usar lejía, no planchar, no lavar en seco, no usar solventes y no secar utilizando secadoras de tambor rotativo.



PEG-PÉREGO S.p.A

Peg-Pérego podrá aportar en cualquier momento modificaciones a los modelos que se describen en el presente manual por razones técnicas o comerciales.

SERVICIO DE ASISTENCIA PEG-PÉREGO

En caso de que se pierdan o se dañen partes del producto, utilizar sólo repuestos originales Peg-Pérego. Para eventuales reparaciones, cambios e informaciones sobre los productos,

así como la venta de recambios originales y accesorios, contactar el Servicio de Asistencia Peg-Pérego:

USA

tel. 800.671.1701 **fax** 260.471.6332

call us toll free 1.800.671.1701 **website** www.pegperego.com

PEG PEREGO S.p.A.

VIA DE GASPERI 50 20043 ARCORE MI ITALIA
tel. 0039 039 60881 fax 0039 039 615869/616454

Servizio Post Vendita - After Sale:

tel. 0039 039 6088213 fax: 0039 039 3309992



PEG PEREGO U.S.A. Inc.

3625 INDEPENDENCE DRIVE FORT WAYNE INDIANA 46808

phone 260 482 8191 fax 260 484 2940

Call us toll free: 1 800 671 1701

www.pegperego.com

WARNING:

Avoid serious injury FROM FALLING OR SLIDING OUT.
ALWAYS USE COMPLETE 5 POINT SEAT BELT.



pliko switch

FIUS0801I90

11/4/2008

Free Manuals Download Website

<http://myh66.com>

<http://usermanuals.us>

<http://www.somanuals.com>

<http://www.4manuals.cc>

<http://www.manual-lib.com>

<http://www.404manual.com>

<http://www.luxmanual.com>

<http://aubethermostatmanual.com>

Golf course search by state

<http://golfingnear.com>

Email search by domain

<http://emailbydomain.com>

Auto manuals search

<http://auto.somanuals.com>

TV manuals search

<http://tv.somanuals.com>