



IPS-RDPE-2 Remote Data Port



C2473M-D (10/06)

Contents

Important Safety Instructions	4
Description	5
Required Accessories	5
Mounting Instructions	6
Wall Mounting	6
Pole Mounting	7
Cable/Wire Requirements and Connector Locations	8
Wiring Diagrams	9
Operation	17
Specifications	18

List of Illustrations

1	Mounting to Different Wall Types	6
2	Mounting to Pole with PA402	7
3	IPS-RDPE-2 Connections	8
4	Coaxitron Controller with Coax Video	9
5	Coaxitron Controller with UTP Video – Passive Receiver Only	10
6	RS-422 (D or P Protocol) Controller with Coax Video – Point-to-Point Configuration	11
7	RS-422 (D or P Protocol) Controller with Coax Video – Home Run Configuration	12
8	RS-422 (D or P Protocol) Controller with Coax Video – Daisy-Chain Configuration	13
9	RS-422 (D or P Protocol) Controller with UTP Video – Point-to-Point Configuration	14
10	RS-422 (D or P Protocol) Controller with UTP Video – Home Run Configuration	15
11	RS-422 (D or P Protocol) Controller with UTP Video – Daisy-Chain Configuration	16
12	Upload Icon	17
13	IPS-RDPE-2 Dimension Drawing	18

Important Safety Instructions

1. Read these instructions.
2. Keep these instructions.
3. Heed all warnings.
4. Follow all instructions.
5. Installation should be done only by qualified personnel and conform to all local codes.
6. Use only installation methods and materials capable of supporting four times the maximum specified load.
7. Use stainless steel hardware to fasten the mount to outdoor surfaces.
8. Use only replacement parts recommended by Pelco.
9. If the unit does not have an on/off switch, the input power circuit must have a circuit breaker.
10. A CCC-approved power cord must be used to power this equipment when used in China.

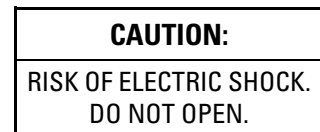
The product and/or manual may bear the following marks:



This symbol indicates that dangerous voltage constituting a risk of electric shock is present within this unit.



This symbol indicates that there are important operating and maintenance instructions in the literature accompanying this unit.



Description

Pelco's IPS-RDPE-2 data port box is an on-site service tool designed for Spectra®, Esprit®, and ExSite™ Series positioning systems. The data port box gives on-site access for setup and testing of the positioning system.

The IPS-RDPE-2 can be used to locally view video and control pan/tilt/zoom functions of a Spectra, Esprit, or ExSite system. The data port box can also upload revised operating software and language files to a Spectra or ExSite system.

The IPS-RDPE-2 features an RJ-45 port that provides a communication interface between Pelco's positioning systems and a Windows®-based PC, Palm™ OS-compatible handheld, or iPAQ™ pocket PC. Pelco's serial interface cable (IPS-CABLE) is required for data transmission.

NOTE: The IPS-RDPE-2 is compatible with Spectra III™ Series and newer model dome systems. Spectra II™ and previous dome systems do not support this product.

REQUIRED ACCESSORIES

One of the following accessory options (not supplied) is required to view video, control pan/tilt/zoom, or upload revised operating software and language files using an IPS-RDPE-2:

OPTION 1

- Operating software
- IPS-RMK remote monitor kit. Kit includes a 5.9-inch TFT-LCD monitor, Palm OS-compatible handheld with serial cable, and an IPS-CABLE

OPTION 2

- Operating software
- IPS-CABLE serial interface cable
- Windows-based PC, Palm OS-compatible handheld, or iPAQ pocket PC (not available through Pelco)
- Serial interface connectors and matching connections for the PC, Palm OS-compatible handheld, or iPAQ pocket PC (not available through Pelco)
- Hand-held monitor (not available through Pelco)

NOTE: To upload software the following system software must be installed:

- Spectra III dome drive must have software version 1.2 or higher installed
- ExSite explosionproof system must have software version 1.13 or higher installed

Software cannot be uploaded to an Esprit system

Mounting Instructions

WALL MOUNTING

1. Open the lid of the IPS-RDPE-2 box. Install two 3/4-inch (1.91 cm) conduit fittings (not supplied). Close the lid of the IPS-RDPE-2 box.
2. Determine the mounting location for the IPS-RDPE-2.
3. Use the IPS-RDPE-2 box as a template and mark the four fastener positions on the mounting surface.
4. Prepare the holes for installation.
5. Attach the IPS-RDPE-2 securely with four fasteners of appropriate length. Fasteners between 1/4-inch and 5/16-inch diameter can be used (not supplied). Refer to Figure 1.

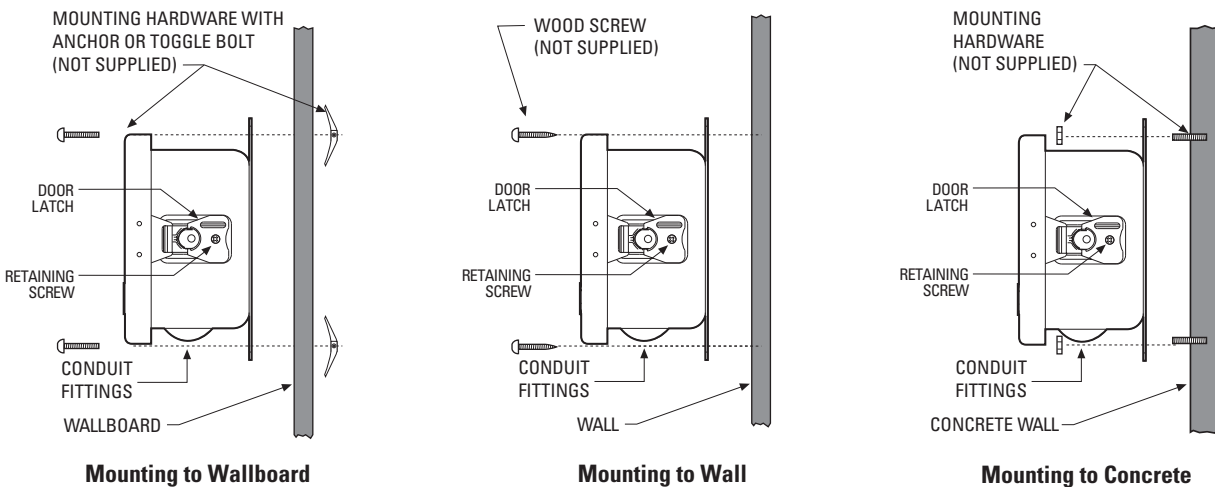


Figure 1. Mounting to Different Wall Types

6. Run conduit with wiring from the positioning system to the IPS-RDPE-2. To connect the wires to the IPS-RDPE-2, refer to Figure 3 or to the label attached to the inside lid of the data port box, and do the following:
 - a. Connect the communication wires from the positioning system to the communication connector of the IPS-RDPE-2.
NOTE: Connect all four communication wires from the Spectra dome system or ExSite system to the IPS-RDPE-2. Transmission and receive wires must be connected to perform software and language file uploads.
 - b. Connect the power wires from the positioning system to the 24 VAC OUT positions on the power connector of the IPS-RDPE-2.
NOTE: If preferred, separate power supplies can be used for the IPS-RDPE-2 and the positioning system.
 - c. Connect the video wires/cable from the positioning system to either the BNC VIDEO IN connector (if using coaxial) or UTP VIDEO IN connector (if using UTP) of the IPS-RDPE-2.
7. Run conduit with wiring from the power supply and wiring from the controller at the head-end to the IPS-RDPE-2. To connect the wires to the IPS-RDPE-2, refer to Figure 3 or to the label attached to the inside lid of the data port box, and do the following:

⚠ WARNING: Turn off power to the power supply before wiring the power to the IPS-RDPE-2.

- a. Connect the power wires from the power supply to the 24 VAC IN positions on the power connector of the IPS-RDPE-2.
- b. Connect the wires/cable from the controller at the head-end to either the FROM CONTROLLER connector (D or P control), BNC VIDEO OUT connector (Coaxitron control), or UTP VIDEO OUT connector (UTP control) of the IPS-RDPE-2.

POLE MOUNTING

1. Install the PA402 mount adapter. Refer to the instructions supplied with the adapter.
2. Open the lid of the IPS-RDPE-2 box. Install two 3/4-inch (1.91 cm) conduit fittings (not supplied). Close the lid of the IPS-RDPE-2 box.
3. Attach the IPS-RDPE-2 to the PA402 and secure with the hardware supplied with the mount adapter. Refer to Figure 2.

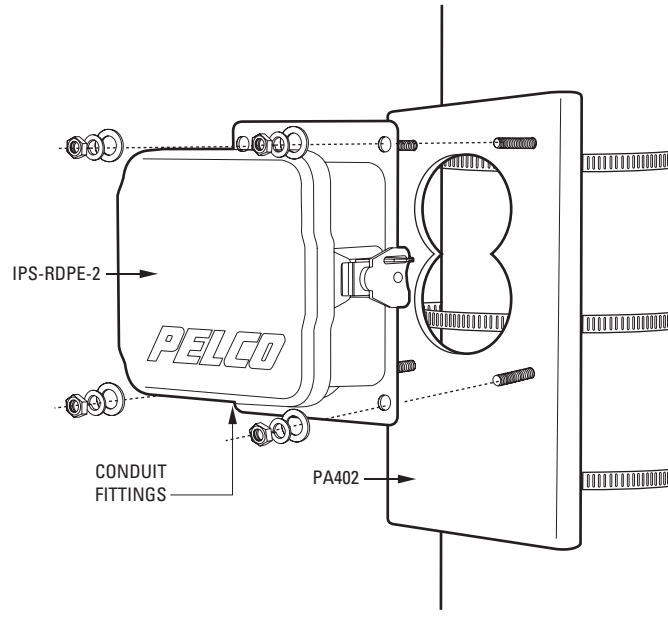


Figure 2. Mounting to Pole with PA402

4. Run conduit with wiring from the positioning system to the IPS-RDPE-2. To connect the wires to the IPS-RDPE-2, refer to Figure 3 or to the label attached to the inside lid of the data port box, and do the following:
 - a. Connect the communication wires from the positioning system to the communication connector of the IPS-RDPE-2.
NOTE: Connect all four communication wires from the Spectra dome system or ExSite system to the IPS-RDPE-2. Transmission and receive wires must be connected to perform software and language file uploads.
 - b. Connect the power wires from the positioning system to the 24 VAC OUT positions on the power connector of the IPS-RDPE-2.
 - c. Connect the video wires/cable from the positioning system to either the BNC VIDEO IN connector (if using coaxial) or UTP VIDEO IN connector (if using UTP) of the IPS-RDPE-2.
5. Run conduit with wiring from the power supply and wiring from the controller at the head-end to the IPS-RDPE-2. To connect the wires to the IPS-RDPE-2, refer to Figure 3 or to the label attached to the inside lid of the data port box, and do the following:

⚠ WARNING: Turn off power to the power supply before wiring the power to the IPS-RDPE-2

- a. Connect the power wires from the power supply to the 24 VAC IN positions on the power connector of the IPS-RDPE-2.
- b. Connect the wires/cable from the controller at the head-end to either the FROM CONTROLLER connector (D or P control), BNC VIDEO OUT connector (Coaxitron control), or UTP VIDEO OUT connector (UTP control) of the IPS-RDPE-2.

Cable/Wire Requirements and Connector Locations

Refer to Figure 3 for a layout of the data port box connectors.

It is important to connect all four communication wires from the IPS-RDPE-2 to the Spectra dome system or ExSite system. It will not be possible to perform software and language file uploads if the transmit and receive wires are not connected.

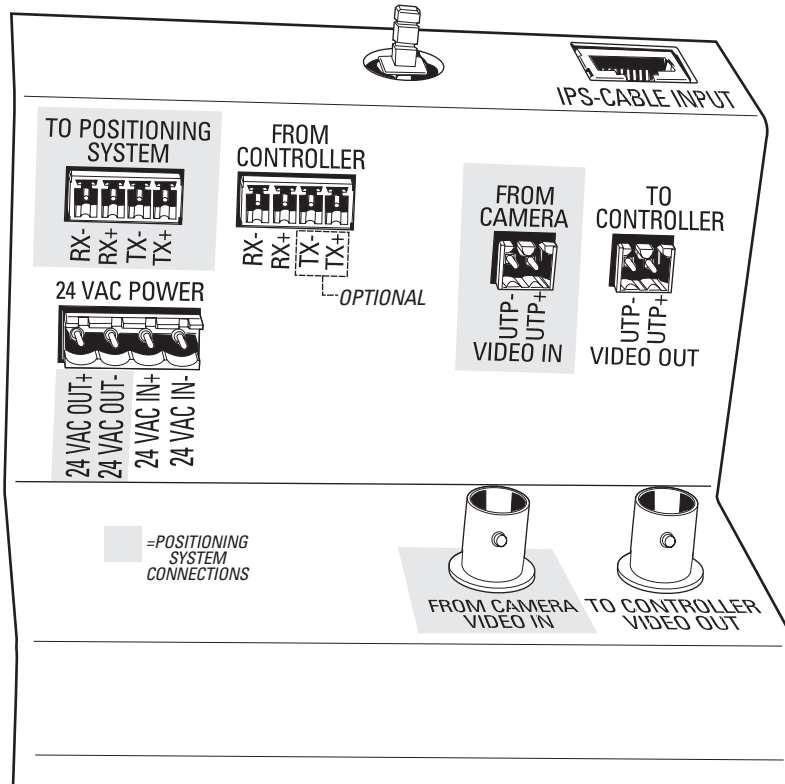


Figure 3. IPS-RDPE-2 Connections

NOTES:

- Input power for the IPS-RDPE-2 is 24 VAC only.
- The maximum wire gauge allowed for power input and output is 12 AWG.
- The maximum wire gauge allowed for two-wire communication and unshielded twisted pair (UTP) is 16 AWG.

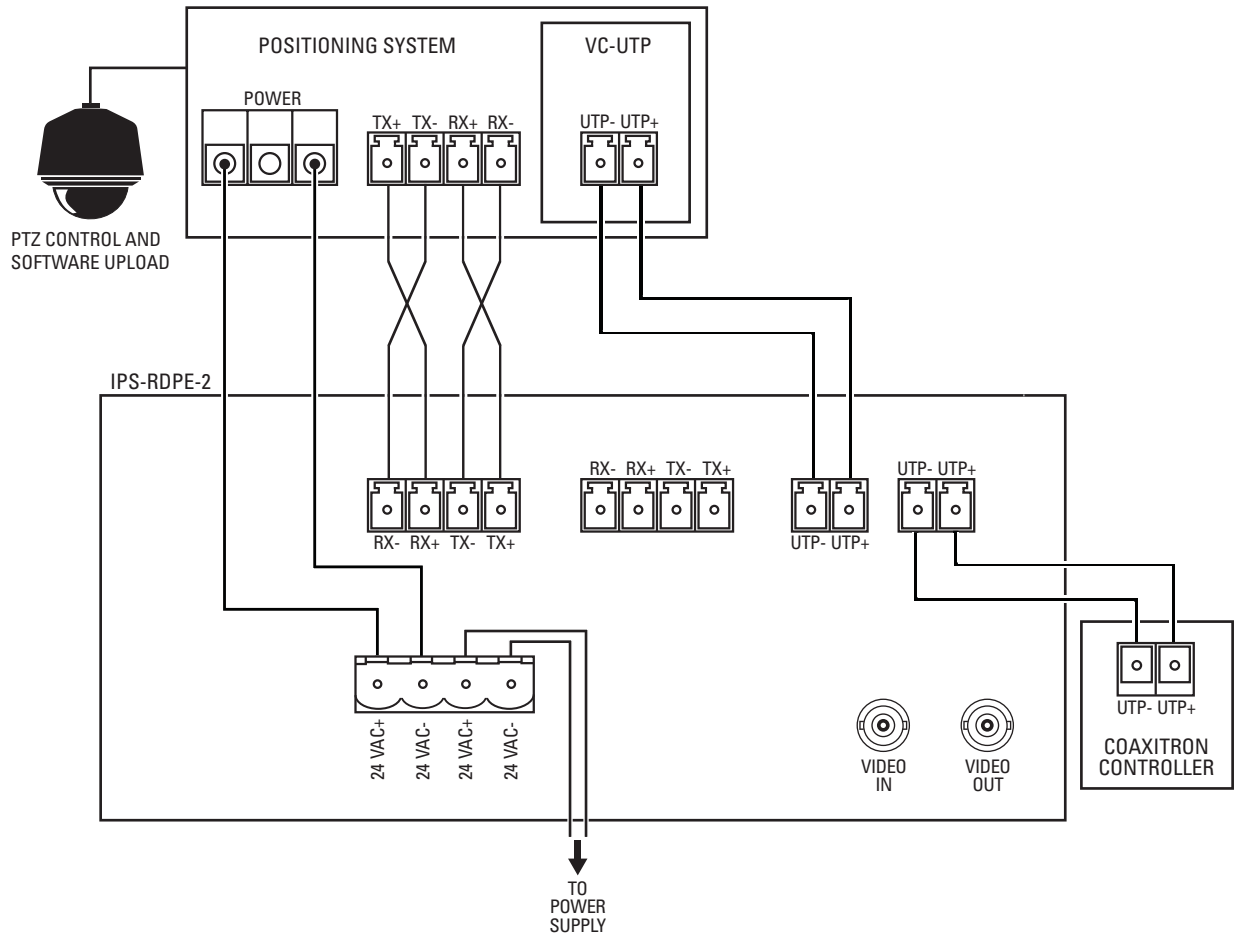


Figure 5. Coaxitron Controller with UTP Video – Passive Receiver Only

NOTES:

- Input power for the IPS-RDPE-2 is 24 VAC only. The maximum wire gauge allowed for power input and output is 12 AWG.
- The maximum wire gauge allowed for UTP is 16 AWG.
- Refer to the manual supplied with the positioning system for wiring distances and coaxial cable requirements.

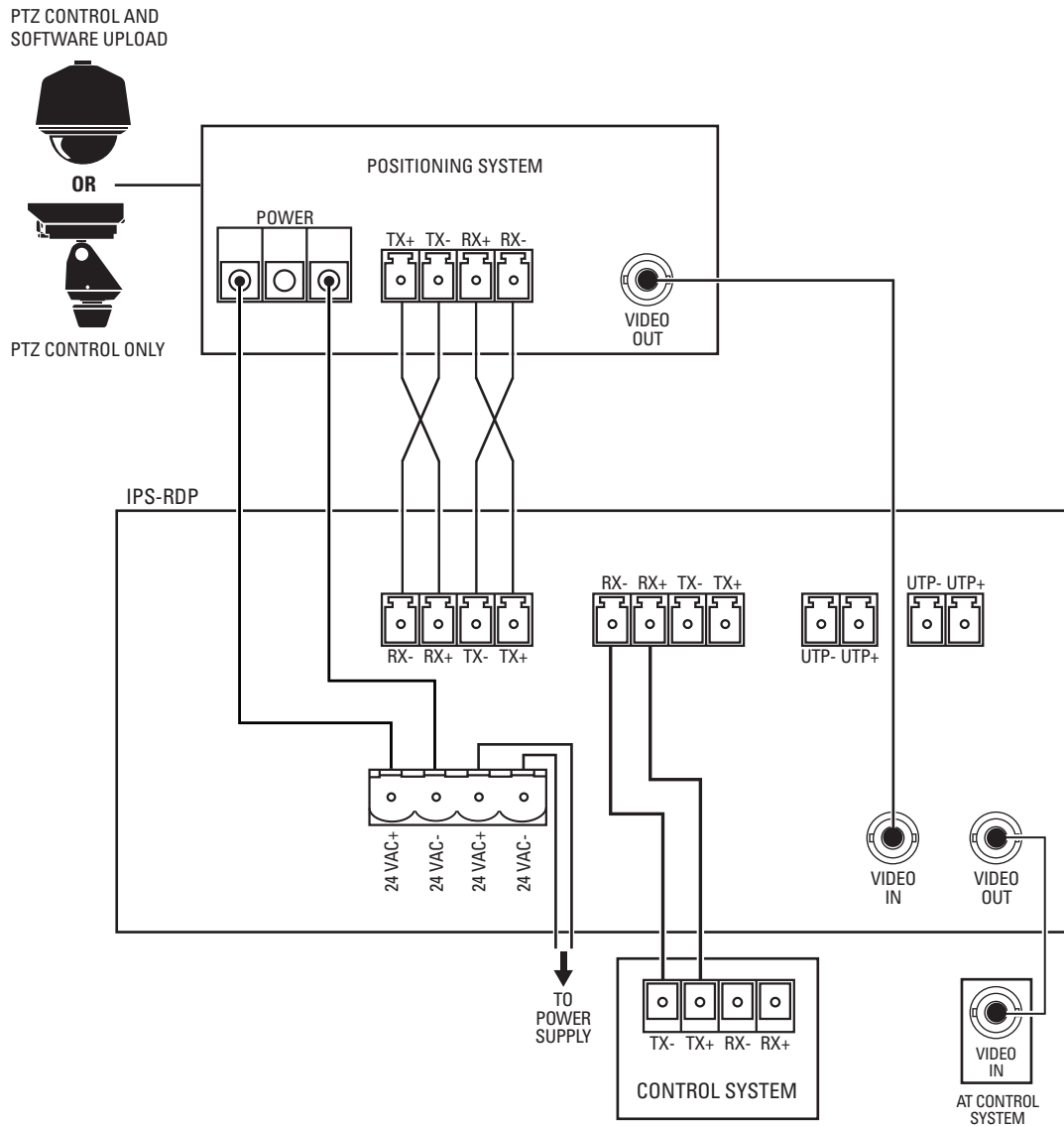


Figure 6. RS-422 (D or P Protocol) Controller with Coax Video – Point-to-Point Configuration

NOTES:

- Input power for the IPS-RDPE-2 is 24 VAC only. The maximum wire gauge allowed for power input and output is 12 AWG.
- The maximum wire gauge allowed for two-wire communication is 16 AWG.
- Refer to the manual supplied with system for wiring distances and coaxial cable requirements.

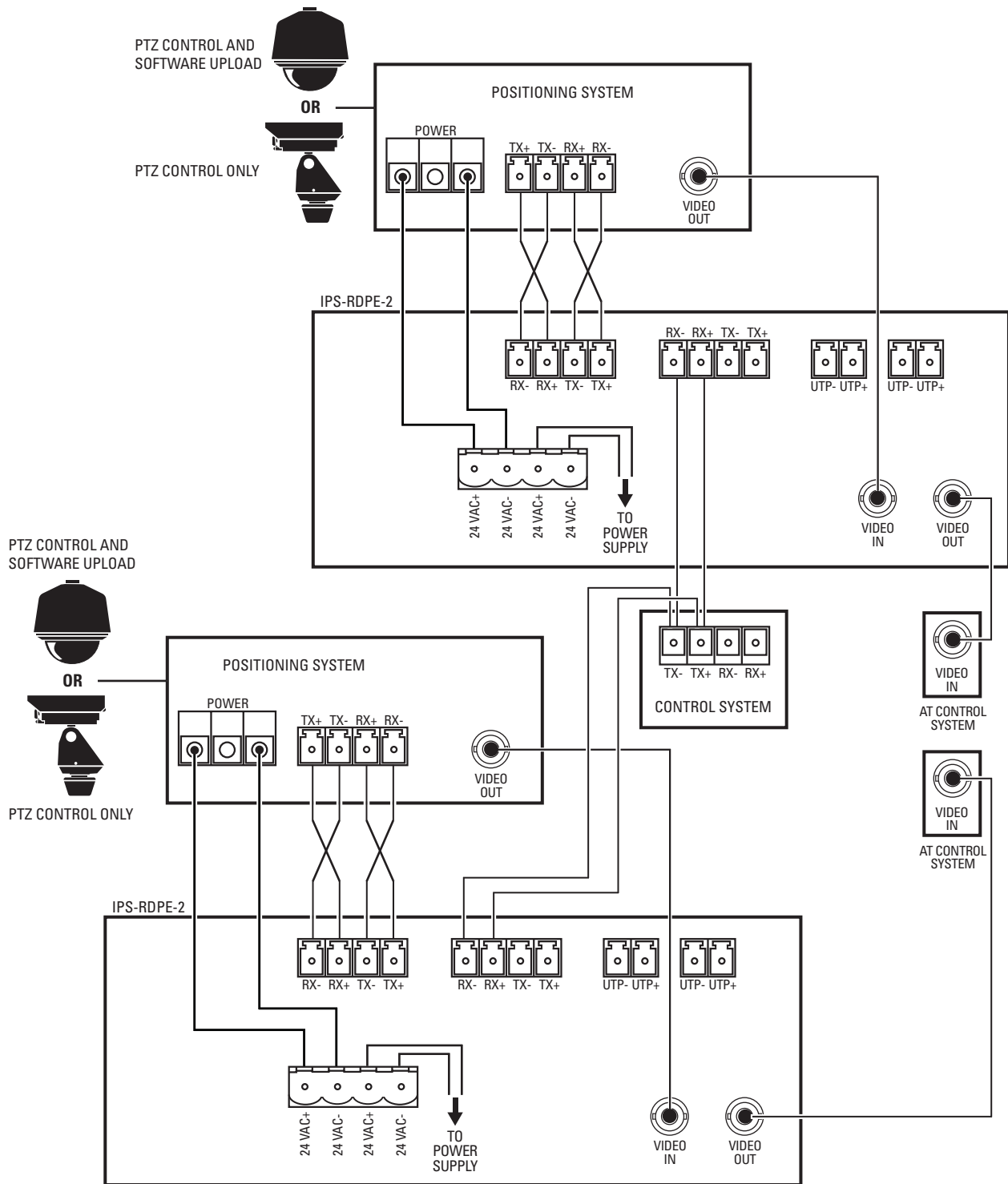


Figure 7. RS-422 (D or P Protocol) Controller with Coax Video – Home Run Configuration

NOTES:

- Input power for the IPS-RDPE-2 is 24 VAC only. The maximum wire gauge allowed for power input and output is 12 AWG.
- The maximum wire gauge allowed for two-wire communication is 16 AWG.
- Refer to the manual supplied with the positioning system for wiring distances and coaxial cable requirements.

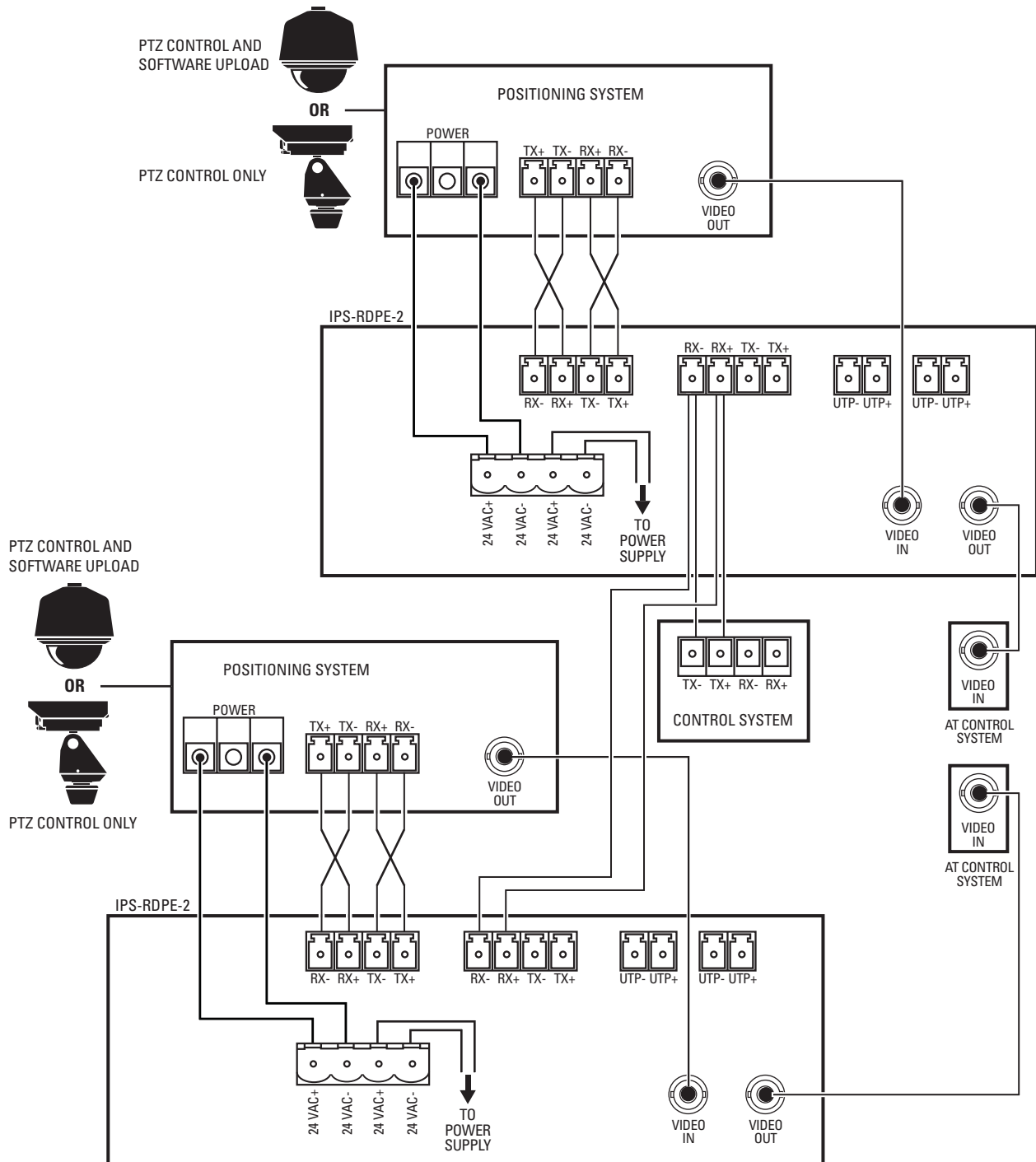


Figure 8. RS-422 (D or P Protocol) Controller with Coax Video – Daisy-Chain Configuration

NOTES:

- Input power for the IPS-RDPE-2 is 24 VAC only. The maximum wire gauge allowed for power input and output is 12 AWG.
- The maximum wire gauge allowed for two-wire communication is 16 AWG.
- Refer to the manual supplied with the positioning system for wiring distances and coaxial cable requirements.

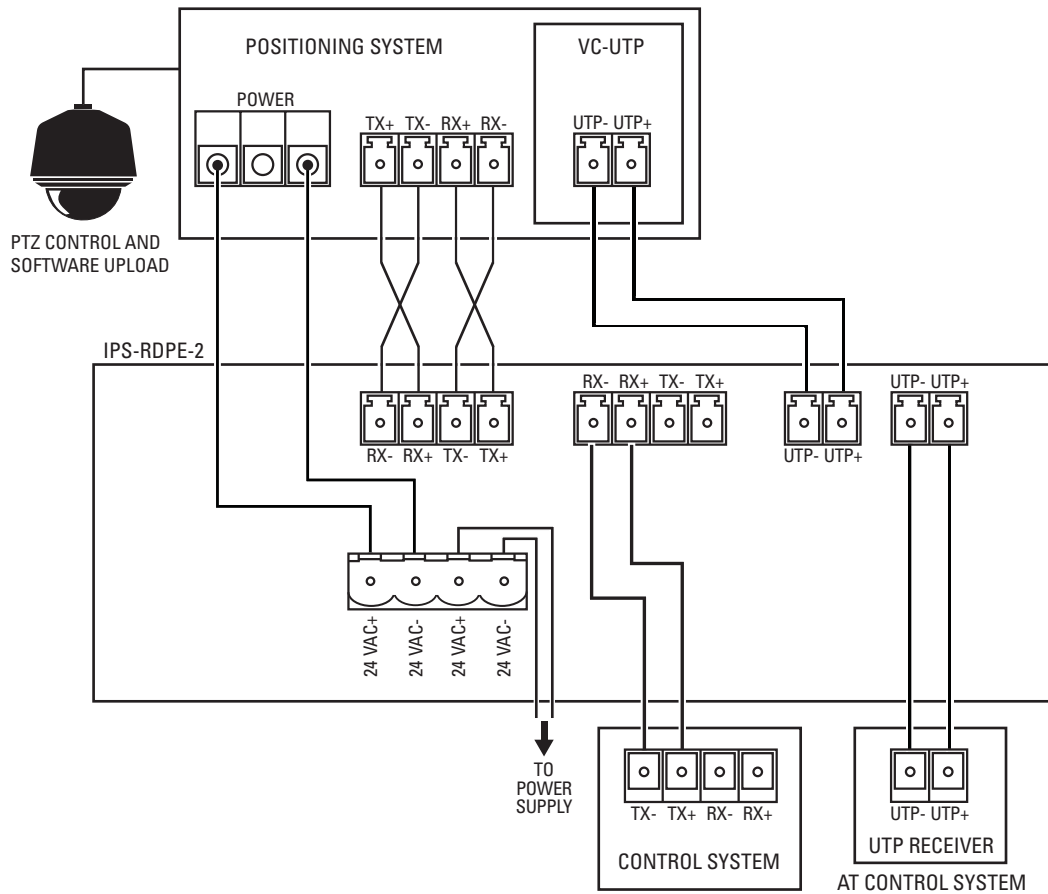


Figure 9. RS-422 (D or P Protocol) Controller with UTP Video – Point-to-Point Configuration

NOTES:

- Input power for the IPS-RDPE-2 is 24 VAC only. The maximum wire gauge allowed for power input and output is 12 AWG.
- The maximum wire gauge allowed for UTP is 16 AWG.
- Refer to the manual supplied with the back box for wiring distances and coaxial cable requirements.

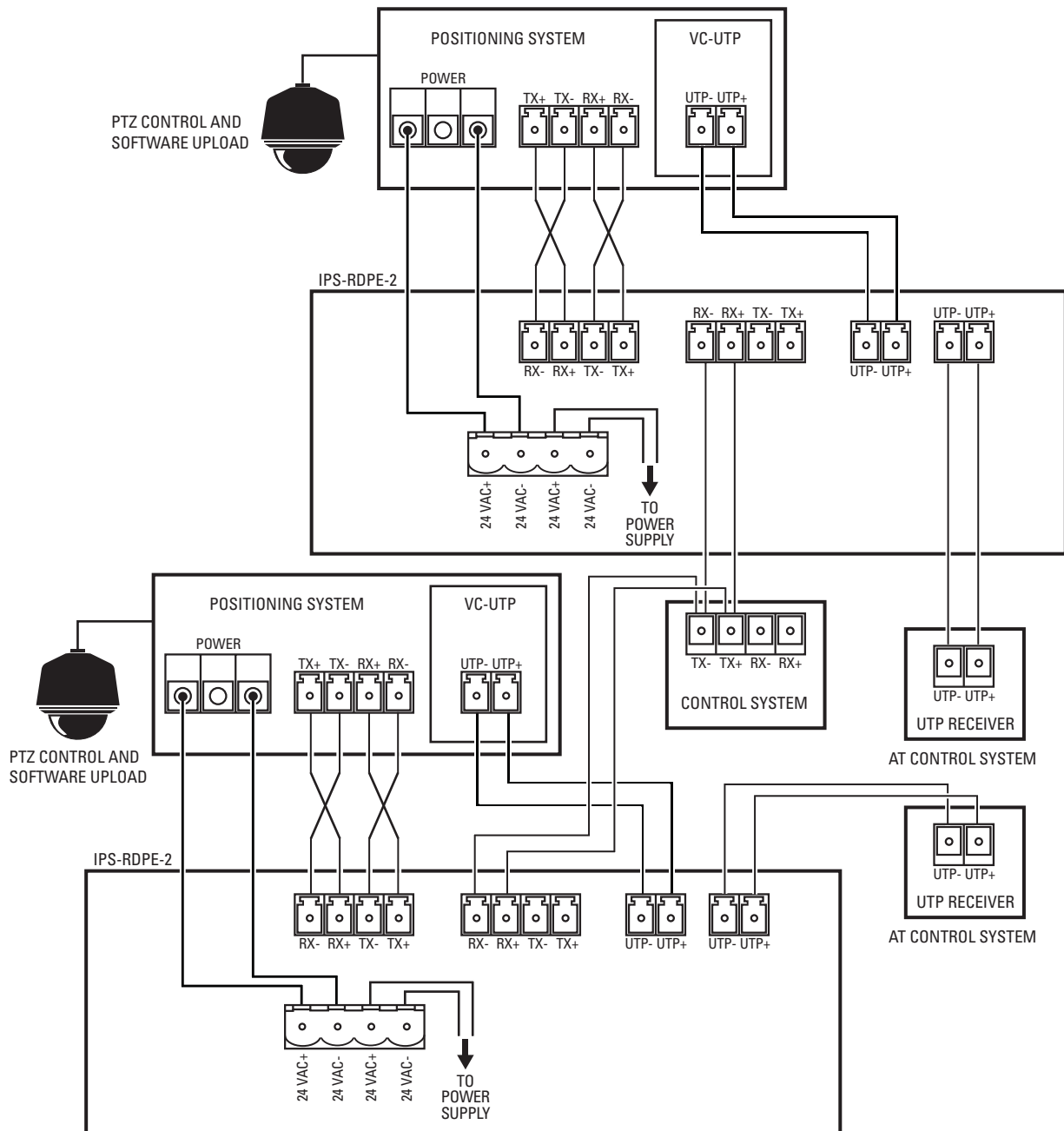


Figure 10. RS-422 (D or P Protocol) Controller with UTP Video – Home Run Configuration

NOTES:

- Input power for the IPS-RDPE-2 is 24 VAC only. The maximum wire gauge allowed for power input and output is 12 AWG.
- The maximum wire gauge allowed for UTP is 16 AWG.
- Refer to the manual supplied with the positioning system for wiring distances and coaxial cable requirements.

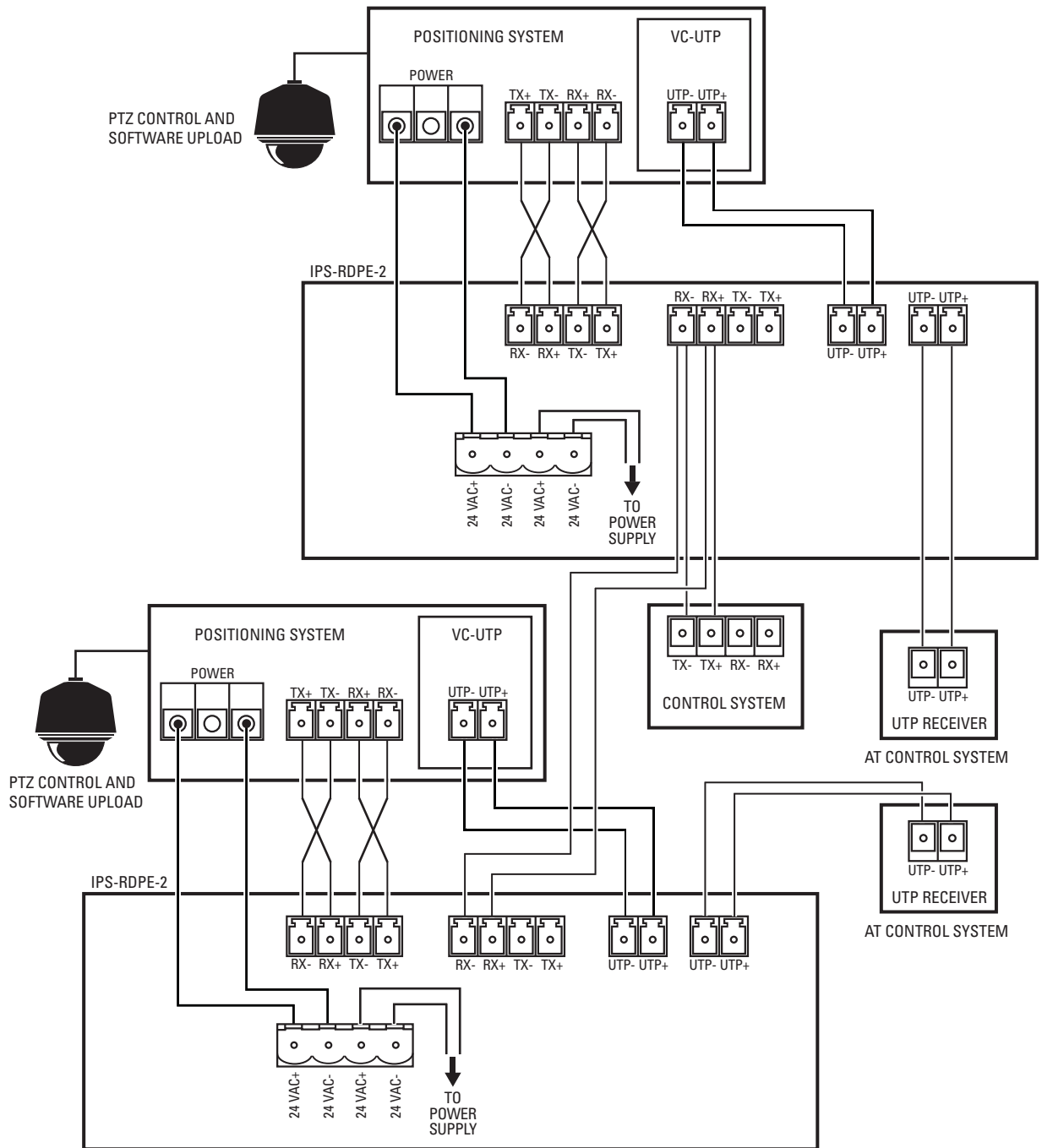


Figure 11. RS-422 (D or P Protocol) Controller with UTP Video – Daisy-Chain Configuration

NOTES:

- Input power for the IPS-RDPE-2 is 24 VAC only. The maximum wire gauge allowed for power input and output is 12 AWG.
- The maximum wire gauge allowed for UTP is 16 AWG.
- Refer to the manual supplied with the positioning system for wiring distances and coaxial cable requirements.

Operation

To view video, control pan/tilt/zoom, or upload revised operating software and language files to a positioning system, do the following:

1. Open the door of the IPS-RDPE-2. Opening the door will automatically disconnect the controller at the head-end and trigger an audible alert at the IPS-RDPE-2 site.

NOTE: The audible alert indicates that the data port is in service mode and also serves as a reminder to close the door after servicing the positioning system.

2. Connect the RJ-45 connector of the IPS-CABLE (not supplied) to the RJ-45 port in the IPS-RDPE-2. The audible alert will stop.

To service and/or test the positioning system, refer to the manual supplied with IPS-CABLE. The IPS-CABLE manual includes instructions for on-site setup, testing, and software uploads using the RJ-45 port of the IPS-RDPE-2 with a Windows-based PC, Palm OS-compatible handheld, or iPAQ pocket PC.

⚠ WARNING: To prevent damage to the positioning system, never cycle power or attempt control of the system during the upload process. The upload process is not complete until the system reboots.

NOTE: During software/language file upload, an icon or progress bar will appear on the monitor at the head-end to indicate data is being transferred to the positioning system (refer to Figure 12). The default setting for data transmission is 115.2 KB per second. Noisy and long-run connections will slow the transmission rate.

3. When servicing/testing is completed, disconnect the IPS-CABLE. The audible alert is triggered. Close the door to the IPS-RDPE-2 to stop the audible alert and return control to the head-end.

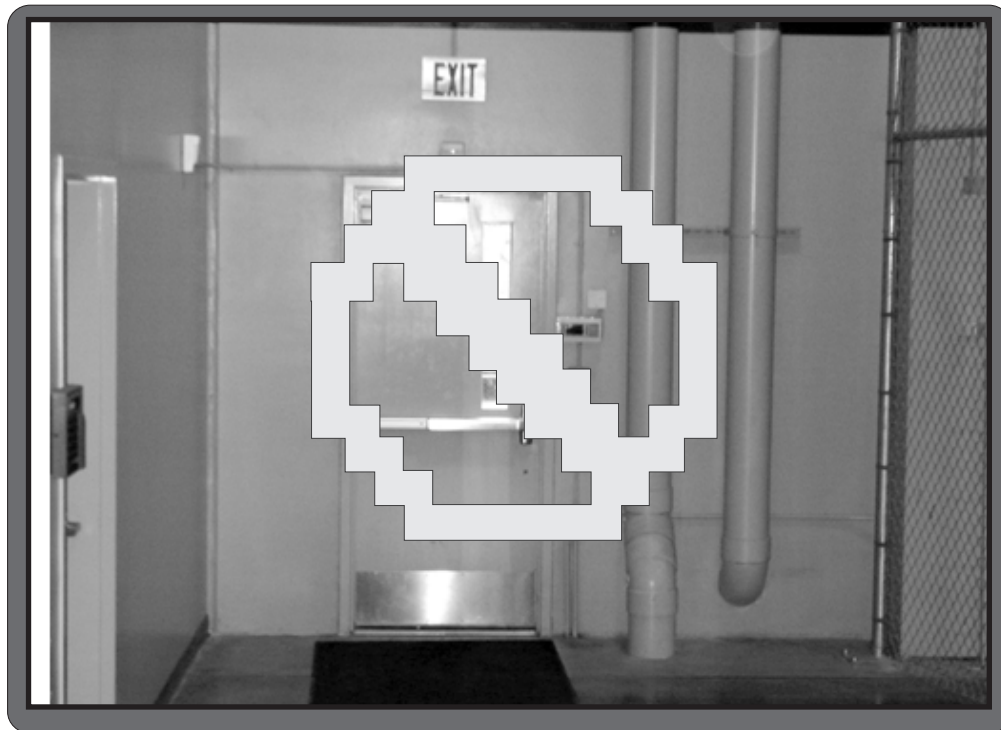


Figure 12. Upload Icon

Specifications

ELECTRICAL

Input Voltage	24 VAC
Power Consumption	1 VA
	Does not include power required for positioning system

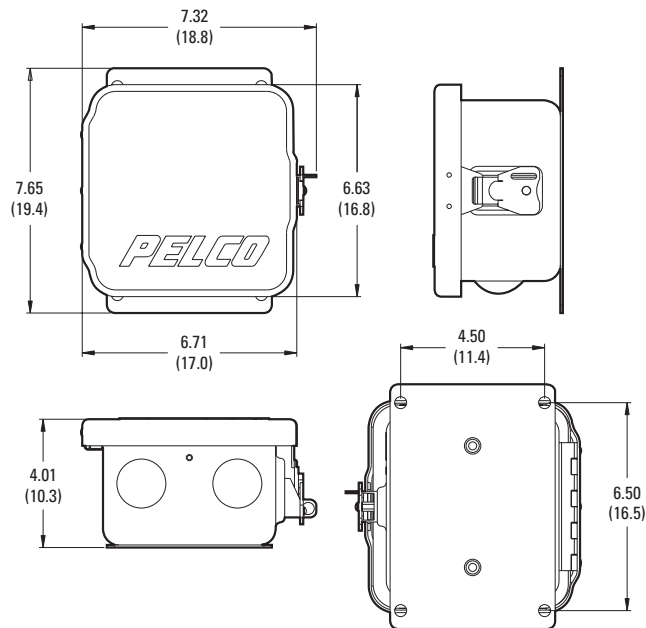
MECHANICAL

Construction	Aluminum
Finish	Gray polyester powder coat
Cable Entry	Two hole plugs will accommodate 3/4-inch (1.91 cm) conduit fittings (not supplied)
Mount Method	Four 0.375-inch (0.95 cm) holes on mounting plate
Latch	One stainless steel link-lock latch secured with screw; latch can also be secured with padlock (not supplied)

GENERAL

Environment	Indoor/outdoor
Operating Range	-50° to 122°F (-45° to 50°C)
Weight	2.41 lb (1.09 kg)
Rating	Meets NEMA Type 4X standards

(Design and product specifications subject to change without notice.)



NOTE: VALUES IN PARENTHESES ARE CENTIMETERS;
ALL OTHERS ARE INCHES.

PRODUCT WARRANTY AND RETURN INFORMATION

WARRANTY

Pelco will repair or replace, without charge, any merchandise proved defective in material or workmanship **for a period of one year** after the date of shipment.

Exceptions to this warranty are as noted below:

- Five years on FR/FT/FS Series fiber optic products and TW3000 Series unshielded twisted pair transmission products.
- Three years on Genex® Series products (multiplexers, server, and keyboard).
- Three years on Camclosure® and fixed camera models, except the CC3701H-2, CC3701H-2X, CC3751H-2, CC3651H-2X, MC3651H-2, and MC3651H-2X camera models, which have a five-year warranty.
- Three years on PMCL200/300/400 Series LCD monitors.
- Two years on standard motorized or fixed focal length lenses.
- Two years on Legacy®, CM6700/CM6800/CM9700 Series matrix, and DF5/DF8 Series fixed dome products.
- Two years on Spectra®, Esprit®, ExSite™, and PS20 scanners, including when used in continuous motion applications.
- Two years on Esprit® and WW5700 Series window wiper (excluding wiper blades).
- Two years (except lamp and color wheel) on Digital Light Processing (DLP®) displays. The lamp and color wheel will be covered for a period of 90 days. The air filter is not covered under warranty.
- Eighteen months on DX Series digital video recorders, NVR300 Series network video recorders, and Endura™ Series distributed network-based video products.
- One year (except video heads) on video cassette recorders (VCRs). Video heads will be covered for a period of six months.
- Six months on all pan and tilts, scanners or preset lenses used in continuous motion applications (that is, preset scan, tour and auto scan modes).

Pelco will warrant all replacement parts and repairs for 90 days from the date of Pelco shipment. All goods requiring warranty repair shall be sent freight prepaid to Pelco, Clovis, California. Repairs made necessary by reason of misuse, alteration, normal wear, or accident are not covered under this warranty.

Pelco assumes no risk and shall be subject to no liability for damages or loss resulting from the specific use or application made of the Products. Pelco's liability for any claim, whether based on breach of contract, negligence, infringement of any rights of any party or product liability, relating to the Products shall not exceed the price paid by the Dealer to Pelco for such Products. In no event will Pelco be liable for any special, incidental or consequential damages (including loss of use, loss of profit and claims of third parties) however caused, whether by the negligence of Pelco or otherwise.

The above warranty provides the Dealer with specific legal rights. The Dealer may also have additional rights, which are subject to variation from state to state.

If a warranty repair is required, the Dealer must contact Pelco at (800)289-9100 or (559) 292-1981 to obtain a Repair Authorization number (RA), and provide the following information:

1. Model and serial number
2. Date of shipment, P.O. number, Sales Order number, or Pelco invoice number
3. Details of the defect or problem

If there is a dispute regarding the warranty of a product which does not fall under the warranty conditions stated above, please include a written explanation with the product when returned.

Method of return shipment shall be the same or equal to the method by which the item was received by Pelco.

RETURNS

In order to expedite parts returned to the factory for repair or credit, please call the factory at (800) 289-9100 or (559) 292-1981 to obtain an authorization number (CA number if returned for credit, and RA number if returned for repair).

All merchandise returned for credit may be subject to a 20% restocking and refurbishing charge.

Goods returned for repair or credit should be clearly identified with the assigned CA or RA number and freight should be prepaid. Ship to the appropriate address below.

If you are located within the continental U.S., Alaska, Hawaii or Puerto Rico, send goods to:

Service Department
Pelco
3500 Pelco Way
Clovis, CA 93612-5699


If you are located outside the continental U.S., Alaska, Hawaii or Puerto Rico and are instructed to return goods to the USA, you may do one of the following:

If the goods are to be sent by a COURIER SERVICE, send the goods to:

Pelco
3500 Pelco Way
Clovis, CA 93612-5699 USA

If the goods are to be sent by a FREIGHT FORWARDER, send the goods to:

Pelco c/o Expeditors
473 Eccles Avenue
South San Francisco, CA 94080 USA
Phone: 650-737-1700
Fax: 650-737-0933

 **Green** The materials used in the manufacture of this document and its components are compliant to the requirements of Directive 2002/95/EC.



This equipment contains electrical or electronic components that must be recycled properly to comply with Directive 2002/96/EC of the European Union regarding the disposal of waste electrical and electronic equipment (WEEE). Contact your local dealer for procedures for recycling this equipment.

REVISION HISTORY

Manual #	Date	Comments
C2473M	2/03	Original version.
C2473M-A	1/03	Revised per ECO 03-9497 for software revision.
C2473M-B	8/05	Added ExSite system information.
C2473M-C	8/06	Revised figures 1, 2, and 13 for new design, and unit weight per ECO 05-12718.
C2473M-D	10/06	Made references to Spectra more generic by removing series numbers. Corrected operating temperature range.

Pelco, the Pelco logo, Camclosure, Esprit, Genex, Legacy, ExSite, and Spectra are registered trademarks of Pelco. Spectra II, Spectra III, Endura, and ExSite are trademarks of Pelco. Palm is a trademark of Palm, Inc. Windows is a registered trademark of Microsoft Corporation. DLP is a registered trademark of Texas Instruments, Inc. iPAQ Pocket PC is a trademark of the Hewlett-Packard Company.

Copyright 2006, Pelco. All rights reserved.



Worldwide Headquarters
3500 Pelco Way
Clovis, California 93612 USA

USA & Canada
Tel: 800/289-9100
Fax: 800/289-9150

International
Tel: 1-559/292-1981
Fax: 1-559/348-1120

www.pelco.com

ISO9001

Australia | Canada | Finland | France | Italy | Russia | Singapore | Spain | Sweden | The Netherlands | United Arab Emirates | United Kingdom | United States

Free Manuals Download Website

<http://myh66.com>

<http://usermanuals.us>

<http://www.somanuals.com>

<http://www.4manuals.cc>

<http://www.manual-lib.com>

<http://www.404manual.com>

<http://www.luxmanual.com>

<http://aubethermostatmanual.com>

Golf course search by state

<http://golfingnear.com>

Email search by domain

<http://emailbydomain.com>

Auto manuals search

<http://auto.somanuals.com>

TV manuals search

<http://tv.somanuals.com>