

MR3050

Universal Monitor Mount

Installation/Operation Manual

C222M-A (8/95)

Pelco • 300 W. Pontiac Way, Clovis, CA 93612-5699 • USA • (800) 289-9100 or (1-559) 292-1981
FAX (800) 289-9150 or (1-559) 292-3827 • DataFax (800) 289-9108 or (1-559) 292-0435
International customers call (1-559) 292-1981 or FAX (1-559) 348-1120

TABLE OF CONTENTS

<u>Section</u>	<u>Page</u>
1.0 WARNINGS	1
2.0 SCOPE	1
3.0 DESCRIPTION	1
3.1 RECOMMENDED MOUNTS	1
4.0 SPECIFICATIONS	2
5.0 INSTALLATION	3
5.1 MRCA/MRWA ADAPTER MOUNTING	3
5.2 MR3050 INSTALLATION	3
6.0 EXPLODED ASSEMBLY	4
7.0 MECHANICAL PARTS LIST	5
8.0 WARRANTY AND RETURN INFORMATION	6

LIST OF ILLUSTRATIONS

<u>Figure</u>	<u>Page</u>
1 MR3050 Dimension Drawing	2
2 MR3050 Exploded Assembly Diagram	4

REVISION HISTORY

<u>Manual #</u>	<u>Date</u>	<u>Comments</u>
C222M	6/94	Original version.
C222M-A	8/95	Revision A. Revised Section 7.0, Mechanical Parts List, items 4 and 13. Updated manual to include metric equivalents.

®PELCO and the PELCO logo are registered trademarks of PELCO.
 ©Copyright 1995, PELCO. All rights reserved.

INSTALLATION/OPERATION MANUAL
MR3050
UNIVERSAL MONITOR MOUNT

1.0 WARNINGS

Prior to installation and use of this product, the following WARNINGS should be observed.

1. Installation and servicing should only be done by Qualified Service Personnel and conform to all Local codes.
2. Installation shall be done in accordance with all local and national electrical and mechanical codes utilizing only approved materials.
3. Use only installation methods and materials capable of supporting four (4) times the maximum specified load.
4. Use stainless steel hardware to fasten the mount to outdoor surfaces.
5. To prevent damage from water leakage when installing a mount outdoors on a roof or wall, apply sealant around the bolt holes between the mount and mounting surface.

Please thoroughly familiarize yourself with the information in this manual prior to installation and operation.

2.0 SCOPE

The information contained within this manual covers the MR3050 Universal Monitor Mount.

3.0 DESCRIPTION

The MR3050 is a universal monitor mount engineered to safely mount a monitor from either a ceiling or a wall. This mount was designed for use in security systems, educational institutions, churches, hospitals, and other applications requiring flexibility in monitor mounting and positioning.

The MR3050 is an adjustable mount designed for use with 14-19" (35.56-48.26 cm) monitors. Two optional adapters are available for this mount: the MRWA for wall mounting and the MRCA for ceiling mounting. An 8" (20.32 cm) length of 1-1/2" NPT pipe is provided with the mount.

3.1 RECOMMENDED MOUNTS

MRWA	Wall mount, uses six (6), 5/16" diameter fasteners (not supplied)
MRCA	Ceiling mount, uses four (4), 5/16" diameter fasteners (not supplied)

4.0 SPECIFICATIONS

Tilt Angle: Adjustable $\pm 45^\circ$

Construction: Steel

Finish: Poly vinyl powder coat

Maximum Load: 65 lbs (29.45 kg)

Dimensions: See Figure 1

Weight: 17.08 lbs (7.74 kg)

Shipping Weight: 20 lbs (9.06 kg)

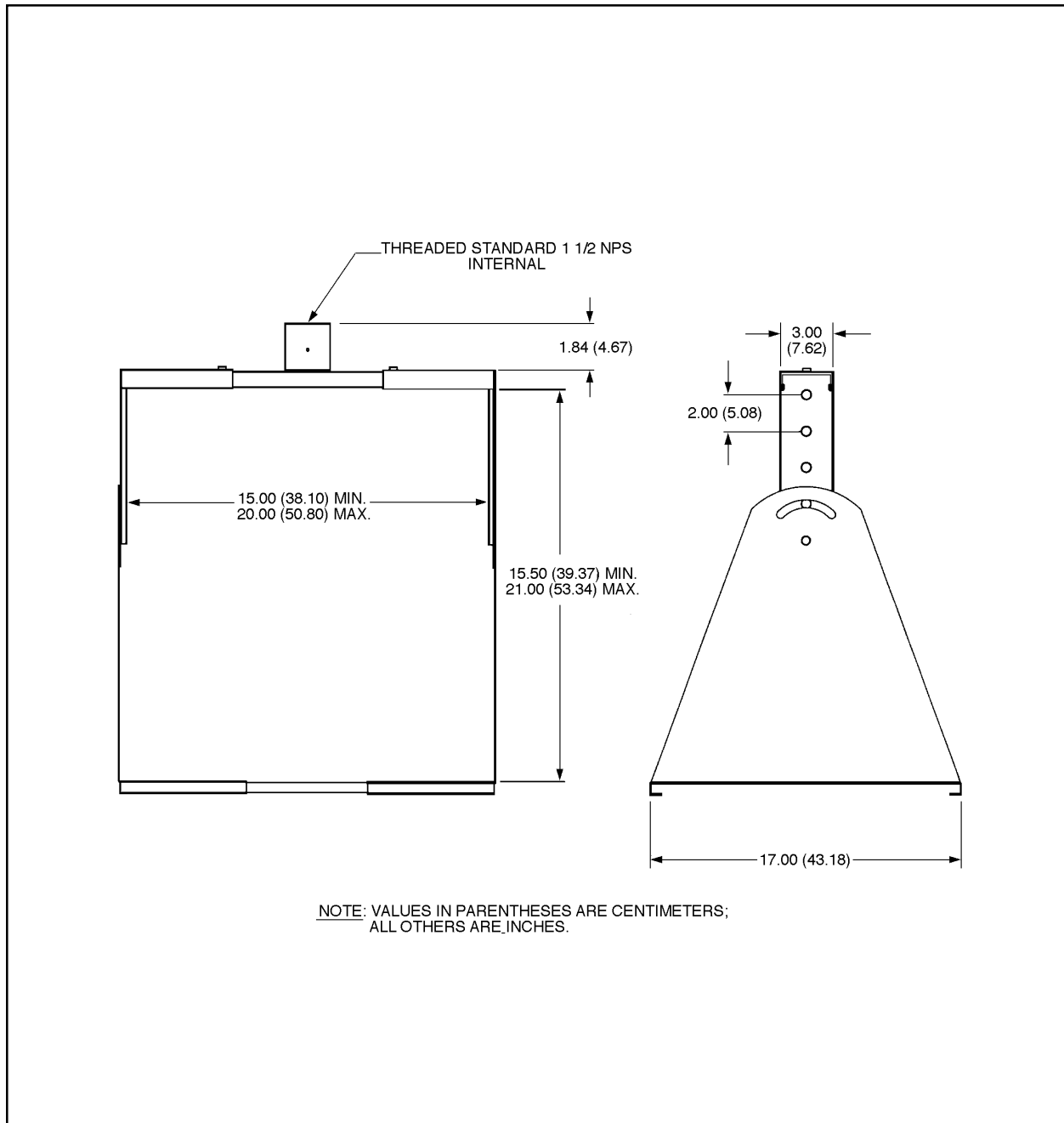


Figure 1. MR3050 Dimension Drawing

5.0 INSTALLATION

5.1 MRCA/MRWA ADAPTER MOUNTING

1. Determine the mounting location. Remember to allow for adequate clearance on all sides of the monitor.

NOTE: When determining the mounting location, consideration must be given to the total weight of the monitor and the mount. The mounting surface must be adequate to support this weight.

2. Use the adapter mount as a template to mark the required mounting holes.
3. Using the necessary fasteners, attach the adapter mount to the chosen surface.

5.2 MR3050 INSTALLATION

1. Determine the width the base mounting brackets (item 1, Figure 2) must be positioned to in order to accommodate the monitor being used. Next, attach the two (2) bracket supports (item 13, Figure 2) to the base mounting brackets as indicated in Figure 2.
2. Attach the monitor to the base mounting brackets. If the monitor has removable rubber feet, remove the screws from the monitor feet and remove the feet. Use the same hardware to attach the monitor to the base mounting brackets.

3. Thread the 8" (20.32 cm) pipe supplied into the ceiling/wall adapter which has already been installed.
4. Thread collar with cross bar attached onto the end of the 8" (20.32 cm) pipe attached to the ceiling/wall mount (already installed).
5. Slide the side brackets (item 2, Figure 2) onto cross bar and thread on the 1/4-20 bolts. Don't tighten bolts until all pieces are together.
6. Lift monitor with base pieces attached up to mount. Attach side brackets to base pieces on monitor using the four (4) 3/8-16 bolts supplied.
7. Tighten set screws in upper part of collar to lock mount and collar in place.
8. Tilt the monitor to the desired angle and tighten bolts on each side of adjusting brackets.
9. Make all necessary electrical connections.

6.0 EXPLODED ASSEMBLY

An exploded assembly diagram for the MR3050 is shown in Figure 2.

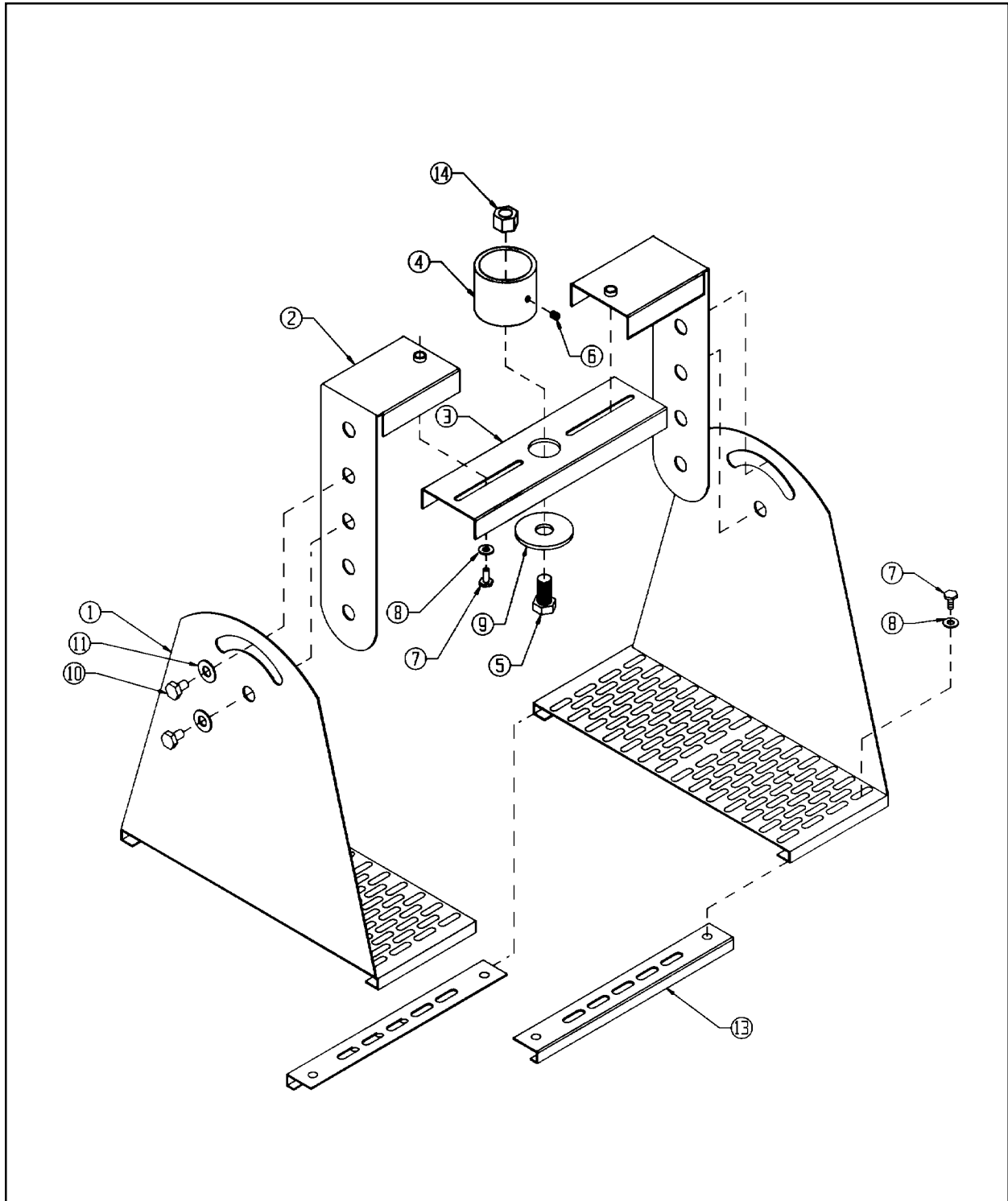


Figure 2. MR3050 Exploded Assembly Diagram

7.0 MECHANICAL PARTS LIST

Item No.	Qty	Description	Part Number
1	2	Base, upright	MR30504001COMP
2	2	Adj., side bracket	MR30504003COMP
3	1	Cross bar	MR30504000COMP
4	1	Collar	MR30004103COMP
5	1	1/2-13 Bolt, 1.00 long	ZH1/213X1.00CH
6	2	Set screw 1/4-20	ZH1/420X.250S
7	6	Hex head 1/4-20	ZH1/4-20X.500CH
8	6	Washer, flat	ZH260X562X65C
9	1	Washer, flat	MR30504104COMP
10	4	Bolt 3/8-16 hex head	ZH3/816X.500SH
11	4	Washer, flat	ZH377X880X78
12	1	Pipe nipple, 8" L x 1-1/2" NPT (not shown)	MRU4207COMP
13	2	Bracket, support	MR30504002COMP
14	1	Nylock nut	ZH1/213NUTCHN

NOTE: Items 3, 4, 5, 9 and 14 are shipped factory assembled.

8.0 WARRANTY AND RETURN INFORMATION

WARRANTY

Pelco will repair or replace, without charge, any merchandise proved defective in material or workmanship for a period of one (1) year after the date of shipment. Exceptions to this warranty are as noted below:

- Two (2) years on all standard motorized and fixed focal length lenses.
- Two (2) years on Legacy®, Intercept®, CM8500/CM9500/CM9750 Matrix, Spectra™, DF5 Series and DF8 Fixed Dome products.
- Two (2) years on WW5700 series window wiper (excluding wiper blades).
- Two (2) years on cameras.
- Six (6) months on all pan and tilts, scanners or preset lenses used in continuous motion applications (e.g., preset scan, tour and auto scan modes).

Pelco will warranty all replacement parts and repairs for 90 days from the date of Pelco shipment. All goods requiring warranty repair shall be sent freight prepaid to Pelco, Clovis, California. Repairs made necessary by reason of misuse, alteration, normal wear, or accident are not covered under this warranty.

Pelco assumes no risk and shall be subject to no liability for damages or loss resulting from the specific use or application made of the Products. Pelco's liability for any claim, whether based on breach of contract, negligence, infringement of any rights of any party or product liability, relating to the Products shall not exceed the price paid by the Dealer to Pelco for such Products. In no event will Pelco be liable for any special, incidental or consequential damages (including loss of use, loss of profit and claims of third parties) however caused, whether by the negligence of Pelco or otherwise.

The above warranty provides the Dealer with specific legal rights. The Dealer may also have additional rights, which are subject to variation from state to state.

If a warranty repair is required, the Dealer must contact Pelco at (800) 289-9100 or (559) 292-1981 to obtain a Repair Authorization number (RA), and provide the following information:

1. Model and serial number
2. Date of shipment, P.O. number, Sales Order number, or Pelco invoice number
3. Details of the defect or problem

If there is a dispute regarding the warranty of a product which does not fall under the warranty conditions stated above, please include a written explanation with the product when returned.

Ship freight prepaid to: Pelco
300 West Pontiac Way
Clovis, CA 93612-5699

Method of return shipment shall be the same or equal to the method by which the item was received by Pelco.

RETURNS

In order to expedite parts returned to the factory for repair or credit, please call the factory at (800) 289-9100 or (559) 292-1981 to obtain an authorization number (CA number if returned for credit, and RA number if returned for repair). Goods returned for repair or credit should be clearly identified with the assigned CA/RA number and freight should be prepaid. All merchandise returned for credit may be subject to a 20% restocking and refurbishing charge.

Ship freight prepaid to: Pelco
300 West Pontiac Way
Clovis, CA 93612-5699

Free Manuals Download Website

<http://myh66.com>

<http://usermanuals.us>

<http://www.somanuals.com>

<http://www.4manuals.cc>

<http://www.manual-lib.com>

<http://www.404manual.com>

<http://www.luxmanual.com>

<http://aubethermostatmanual.com>

Golf course search by state

<http://golfingnear.com>

Email search by domain

<http://emailbydomain.com>

Auto manuals search

<http://auto.somanuals.com>

TV manuals search

<http://tv.somanuals.com>