



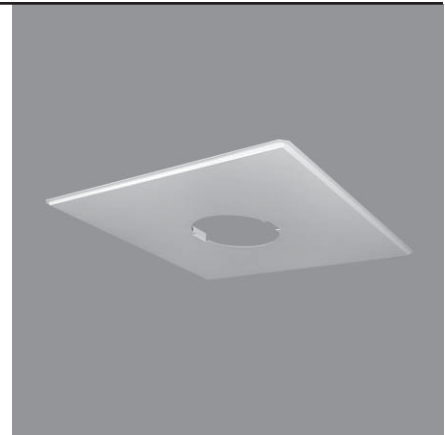
# SD5-P Metal Ceiling Panel

C1459M-B (2/03)

## IMPORTANT SAFEGUARDS AND WARNINGS

Prior to installation and use of this product, the following WARNINGS should be observed.

1. Installation and servicing should be done only by qualified service personnel and conform to all local codes.
2. Unless the unit is specifically marked as a NEMA Type 3, 3R, 3S, 4, 4X, 6, or 6P enclosure, it is designed for indoor use only and it must not be installed where exposed to rain and moisture.
3. The installation method and materials should be capable of supporting four times the weight of the unit and equipment.
4. Only use replacement parts recommended by Pelco.



## DESCRIPTION

The SD5-P metal ceiling panel is designed for use with Spectra Series in-ceiling back box and DF5 in-ceiling fixed-mount domes. The metal ceiling panel can be used to replace or reinforce the 2' x 2' ceiling tile in suspended ceiling installations.

The following parts are supplied:

<u>Qty.</u>	<u>Description</u>
1	2' x 2' metal panel
4	T-rail clip

## INSTALLATION

There are two methods of installation for the metal ceiling panel.

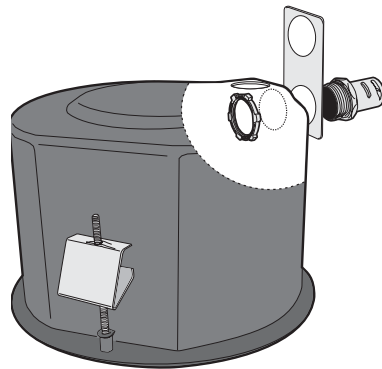
Replacement Installation – Remove existing ceiling tile and install the SD5-P metal panel.

Reinforcement Installation – Install the SD5-P to strengthen the existing ceiling tile.

Select the method of installation, and then refer to the following sections for installation instructions.

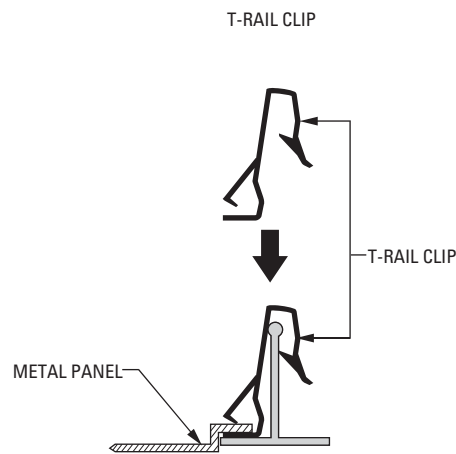
### REPLACEMENT INSTALLATION

1. Remove the ceiling tile from the ceiling.
2. Remove the conduit fitting, lock nut, and safety chain bracket from the parts bag that came with the back box, and attach them to the back box as shown in Figure 1.



**Figure 1.** Installation of Conduit Fitting, Lock Nut, and Safety Chain Bracket

3. Install the back box in the metal panel by compressing the spring clips and pushing the back box through the hole. Tighten the screws until you hear a clicking noise.
4. Install the metal panel in the ceiling.
5. Attach a T-rail clip (supplied with the SD5-P) on each side of the metal panel as shown in Figure 2.



**Figure 2.** T-Rail Clip Installation

## REINFORCEMENT INSTALLATION

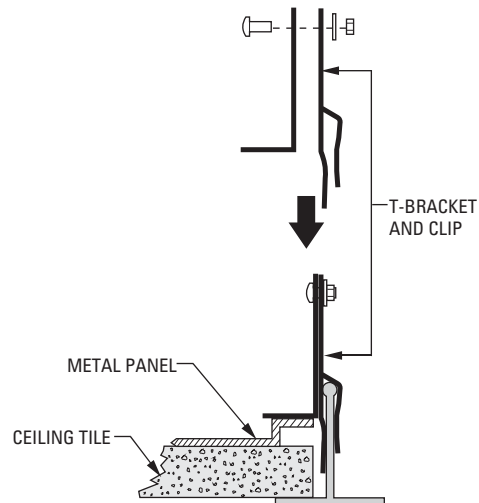
1. Remove the ceiling tile from the ceiling.
2. Prepare the ceiling tile for installation. Use the metal panel as a template. Place the metal panel on top of the ceiling tile, and draw an outline of the center circle. Cut the circle out of the ceiling tile.
3. Remove the conduit fitting, lock nut, and safety chain bracket from the parts bag that came with the back box, and attach them to the back box as shown in Figure 1.
4. Place the metal panel on top of the ceiling tile.

---

**NOTE:** When installed, the metal panel will be inside the ceiling with the ceiling tile exposed.

---

5. Install the back box in the ceiling tile and metal panel by compressing the spring clips and pushing the back box through the hole. Tighten the screws until you hear a clicking noise.
6. Install the tile and panel in the ceiling.
7. Use the T-brackets and clips supplied with the back box to attach a T-bracket and clip on each side of the metal panel as shown in Figure 3.



**Figure 3.** T-Bracket and Clip Installation

8. Install a safety chain/cable (not supplied) that will support up to 16 pounds (7.3 kg). Fasten one end of the chain/cable to a support structure in the ceiling. Fasten the other end to the safety chain bracket (refer to Figure 1).

## WARRANTY AND RETURN INFORMATION

### WARRANTY

Pelco will repair or replace, without charge, any merchandise proved defective in material or workmanship for a period of one year after the date of shipment. Exceptions to this warranty are as noted below:

- Five years on Pelco manufactured cameras (CC3500/CC3600/CC3700 and MC3500/MC3600 Series); two years on all other cameras.
- Three years on Genex® Series (multiplexers, server, and keyboard) and 090 Series Camclosure® Camera System.
- Two years on 100/150, 200 and 300 Series Camclosure® Camera Systems.
- Two years on cameras and all standard motorized or fixed focal length lenses.
- Two years on Legacy®, CM6700/CM6800/CM6800E/CM8500/CM9500/CM9740/CM9760 Matrix, DF5 and DF8 Series Fixed Dome products.
- Two years on Spectra®, Esprit®, and PS20 Scanners, including when used in continuous motion applications.
- Two years on Esprit and WW5700 series window wiper (excluding wiper blades).
- Eighteen months on DX Series digital video recorders.
- One year (except video heads) on video cassette recorders (VCRs). Video heads will be covered for a period of six months.
- Six months on all pan and tilts, scanners or preset lenses used in continuous motion applications (that is, preset scan, tour and auto scan modes).

Pelco will warrant all replacement parts and repairs for 90 days from the date of Pelco shipment. All goods requiring warranty repair shall be sent freight prepaid to Pelco, Clovis, California. Repairs made necessary by reason of misuse, alteration, normal wear, or accident are not covered under this warranty.

Pelco assumes no risk and shall be subject to no liability for damages or loss resulting from the specific use or application made of the Products. Pelco's liability for any claim, whether based on breach of contract, negligence, infringement of any rights of any party or product liability, relating to the Products shall not exceed the price paid by the Dealer to Pelco for such Products. In no event will Pelco be liable for any special, incidental or consequential damages (including loss of use, loss of profit and claims of third parties) however caused, whether by the negligence of Pelco or otherwise.

The above warranty provides the Dealer with specific legal rights. The Dealer may also have additional rights, which are subject to variation from state to state.

If a warranty repair is required, the Dealer must contact Pelco at (800) 289-9100 or (559) 292-1981 to obtain a Repair Authorization number (RA), and provide the following information:

1. Model and serial number
2. Date of shipment, P.O. number, Sales Order number, or Pelco invoice number
3. Details of the defect or problem

If there is a dispute regarding the warranty of a product which does not fall under the warranty conditions stated above, please include a written explanation with the product when returned.

Method of return shipment shall be the same or equal to the method by which the item was received by Pelco.

### RETURNS

In order to expedite parts returned to the factory for repair or credit, please call the factory at (800) 289-9100 or (559) 292-1981 to obtain an authorization number (CA number if returned for credit, and RA number if returned for repair).

All merchandise returned for credit may be subject to a 20% restocking and refurbishing charge.

Goods returned for repair or credit should be clearly identified with the assigned CA or RA number and freight should be prepaid. Ship to the appropriate address below.

*If you are located within the continental U.S., Alaska, Hawaii or Puerto Rico:*

Service Department  
Pelco  
3500 Pelco Way  
Clovis, CA 93612-5699

*If you are located outside the continental U.S., Alaska, Hawaii or Puerto Rico:*

**Intermediate Consignee**  
American Overseas Air Freight  
320 Beach Road  
Burlingame, CA 94010  
USA

**Ultimate Consignee**  
Pelco  
3500 Pelco Way  
Clovis, CA 93612-5699  
USA

### REVISION HISTORY

Manual #	Date	Comments
C1459M	3/97	Original version.
C1459M-A	2/98	Revised to include usage with DFSS Series shortened back box.
C1459M-B	2/03	Revised to include Spectra III SE and Spectra III back box models. Updated manual to new format.

## Free Manuals Download Website

<http://myh66.com>

<http://usermanuals.us>

<http://www.somanuals.com>

<http://www.4manuals.cc>

<http://www.manual-lib.com>

<http://www.404manual.com>

<http://www.luxmanual.com>

<http://aubethermostatmanual.com>

Golf course search by state

<http://golfingnear.com>

Email search by domain

<http://emailbydomain.com>

Auto manuals search

<http://auto.somanuals.com>

TV manuals search

<http://tv.somanuals.com>