



**Inter**  
**✓Check**<sup>®</sup>  
*by PELCO*

**ICI3000P**

**Inter-Check Point-Of-Sale**

**Monitoring System**

**Installation/Operation Manual**

**C1043M-A (2/96)**

PELCO • 3500 Pelco Way, Clovis, CA 93612-5699 • USA • (800) 289-9100 or (1-559) 292-1981  
FAX (800) 289-9150 or (1-559) 292-3827

## TABLE OF CONTENTS

<b>Section</b>	<b>Page</b>
1.0 WARNINGS .....	1
2.0 SCOPE .....	2
2.1 DESCRIPTION .....	2
3.0 INSTALLATION .....	3
3.1 SETTING UP ICI1000PIM PARAMETERS AND BENCH TESTING .....	3
3.2 ICI3000WK INSTALLATION .....	4
3.3 ICI3008/ICI3016 INSTALLATION .....	5
3.3.1 ALARM PIN-OUT CONFIGURATION .....	7
3.4 EXTERNAL VIDEO ADJUSTMENTS .....	8
4.0 PROGRAMMING .....	9
4.1 REGISTER 1 OR 2 SELECT .....	9
4.1.1 REGISTER SELECTION USING THE HOT KEY F1 .....	9
4.2 OPERATOR # 1 OR 2 .....	9
4.2.1 OPERATOR SELECTION USING THE HOT KEY F2 .....	10
4.3 EXCEPTIONS ON/OFF .....	10
4.3.1 EXCEPTIONS ON/OFF USING THE HOT KEY F3 .....	10
4.4 CAMERA SELECT .....	10
4.4.1 CAMERA SELECT USING HOT KEY F9 .....	10
4.5 SCREEN PRINT ON/OFF .....	10
4.5.1 SCREEN PRINT ON/OFF USING HOT KEY F4 .....	10
4.6 AUTO CAMERA SEARCH ON/OFF .....	11
4.6.1 AUTO CAMERA SEARCH ON/OFF USING HOT KEY F12 .....	11
4.7 REVERSE VIDEO ON/OFF .....	11
4.7.1 REVERSE VIDEO ON/OFF USING HOT KEY F10 .....	11
4.8 SYSTEM PROGRAM .....	11
4.8.1 NUMBER OF CHARACTERS PER LINE .....	11
4.8.2 NUMBER OF LINES FOR SMALL SCREENS 1 AND 2 .....	12
4.8.3 SMALL SCREEN POSITION 1 OR 2 .....	12
4.8.4 LARGE SCREEN POSITION 1 OR 2 .....	12
4.8.5 ALARM DWELL TIME .....	12
4.8.6 CHANNEL PROGRAM MENU .....	13
4.8.7 PRINTER PARAMETERS .....	14
4.8.8 SET CLOCK .....	14
4.8.9 EXTERNAL CAMERA SELECT .....	14
4.8.10 SHADOW LIST PROGRAMMING .....	15
4.9 EXCEPTIONS .....	16
4.9.1 EXCEPTIONS USING THE COLUMN SPECIFIC STRATEGY .....	17
4.9.2 EXCEPTIONS USING THE GLOBAL EXCEPTION STRATEGY .....	17
4.9.3 EXCEPTIONS USING THE PRICE POINT EDITING STRATEGY .....	18
4.9.4 EXCEPTIONS WITH DESCRIPTORS .....	19
5.0 SUMMARY OF EXCEPTION KEYBOARD DEFINITIONS: .....	19
5.1 REGISTER MASKING .....	20
5.2 SYS SAVE/SYS READ .....	20

Inter-Check® is a registered trademark of Pelco.  
®PELCO and the Pelco logo are registered trademarks of Pelco.  
©Copyright 1996, Pelco. All rights reserved.

6.0	HOT KEY SUMMARY LIST .....	21
7.0	TROUBLESHOOTING .....	23
8.0	POWER-UP PROCEDURE FOR THE ICI3000P .....	24
9.0	SPECIFICATIONS .....	25
9.1	OUTPUT DEFINITIONS .....	26
9.2	DB9 PINOUT .....	26
10.0	WARRANTY AND RETURN INFORMATION .....	27

**LIST OF ILLUSTRATIONS**

<b>Figure</b>	<b>Page</b>	
1	TYPICAL ICI3000P SYSTEM USED WITH STAND-ALONE CAMERAS .....	2
2	ICI3000P PARTYLINE WIRING CONFIGURATION .....	4
3	DEFAULTING INTER-CHECK SYSTEM. ....	5
4	CASCADING THE ICI30008 OR ICI3016 .....	6
5	ALARM PIN-OUT CONFIGURATIONS .....	7
6	VIDEO ADJUSTMENT LOCATIONS .....	8
7	INTER-CHECK'S TWO TEXT SCREENS .....	9
8	DB25 PRINTER CONNECTOR TO DB9 ICI3000P UNIT PIN ASSIGNMENTS .....	14

**REVISION HISTORY**

<b>Manual #</b>	<b>Date</b>	<b>Comments</b>
C1043M-A	2/96	Revised to incorporate new installation/operation information throughout.

(This page intentionally left blank.)

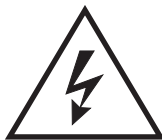
# INSTALLATION/OPERATION MANUAL ICI3000P INTER-CHECK® POINT-OF- SALE MONITORING SYSTEM

## 1.0 WARNINGS

Prior to installation and use of this product, the following WARNINGS should be observed.

1. Installation and servicing should only be done by qualified service personnel and conform to all Local codes.
2. Unless the unit is specifically marked as a NEMA Type 3-6P enclosure, it is designed for indoor use only and it must not be installed where exposed to rain and moisture.
3. The product may bear the following marks:
4. Only use replacement parts recommended by PELCO.
5. After replacement/repair of this unit's electrical components, conduct a resistance measurement between line and exposed parts to verify the exposed parts have not been connected to line circuitry.

**This symbol indicates that dangerous voltage constituting a risk of electric shock is present within this unit.**



**CAUTION:**  
TO REDUCE THE RISK OF ELECTRICAL SHOCK, DO NOT REMOVE COVER. NO USER-SERVICEABLE PARTS INSIDE. REFER SERVICING TO QUALIFIED SERVICE PERSONNEL.

**This symbol indicates that there are important operating and maintenance instructions in the literature accompanying this unit.**



**CAUTION:**  
RISK OF ELECTRIC SHOCK.  
DO NOT OPEN.

**Please thoroughly familiarize yourself with the information in this manual prior to installation and operation.**

## 2.0 SCOPE

The information contained within this manual covers the installation and operation of the Inter-Check ICI3000P cash register interface system. Installation should be in accordance with all applicable local and national electric codes, using approved materials only. Please familiarize yourself with the information within this manual prior to installation and operation.

## 2.1 DESCRIPTION

These units are point-of-sale (POS) monitoring devices capable of monitoring up to sixteen (16) POS terminals simultaneously with up to thirty-two (32) units installed at one time. Standard features include: fifteen programmable exceptions, two video inputs, one video output and two alarm outputs. Increased video inputs and alarm outputs may be obtained by interfacing with an optional Inter-Check switcher.

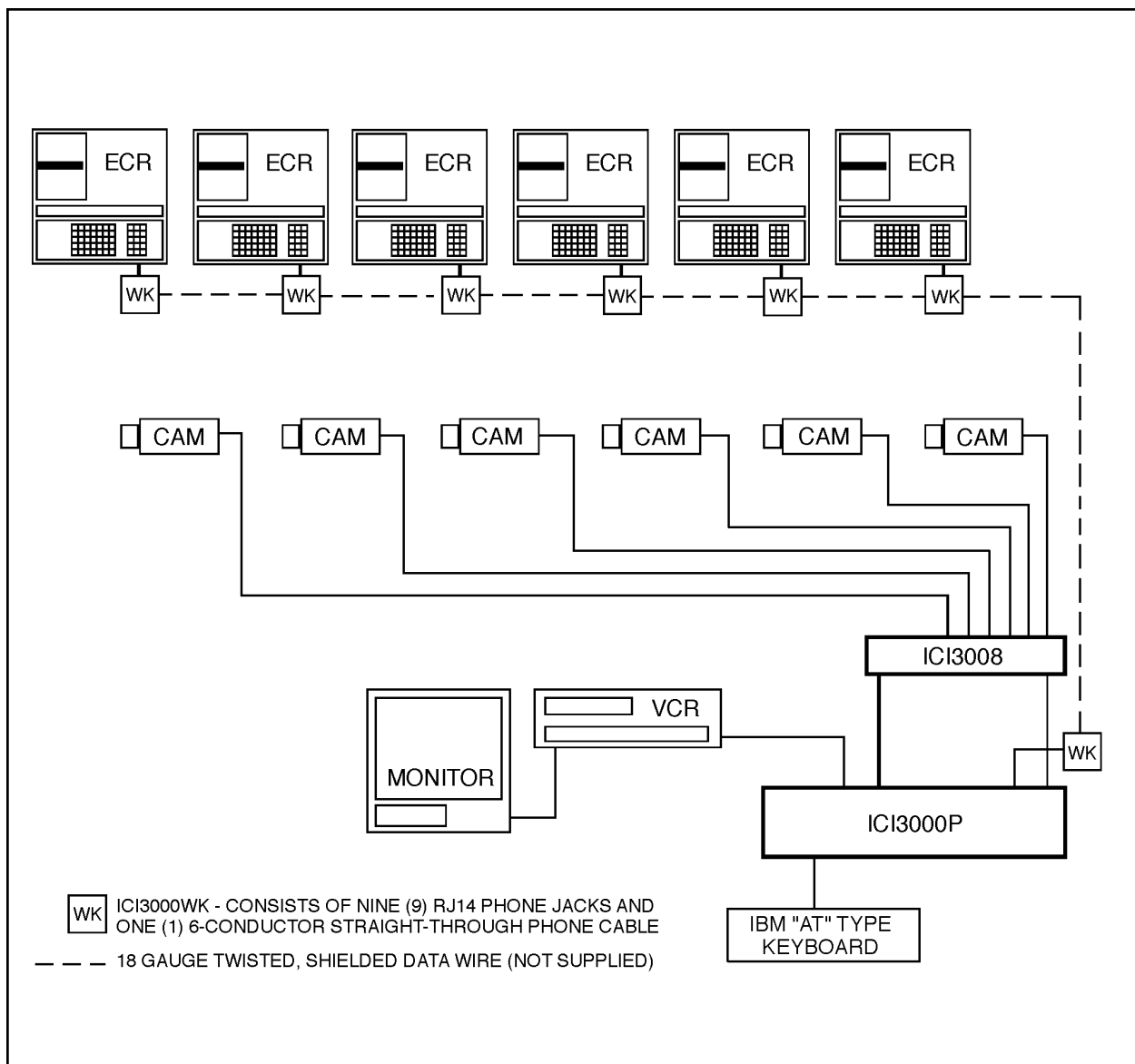


Figure 1. Typical ICI3000P System with Fixed Cameras

### 3.0 INSTALLATION

#### 3.1 SETTING UP ICI1000PIM PARAMETERS AND BENCH TESTING

**NOTE:** Please familiarize yourself with the information in this manual prior to installation and operation. Contact the customer's register dealer/installer prior to installation and operation. Some warranties and/or service agreements may be affected.

1. Set the ICI1000PIM switch settings for your register according to the PIM manual (C1005M). Make sure that switch number 2 on switch bank 1 is placed in the [•] "UP" or "POLLING" position. Also, you must address each PIM individually; refer to page #2 in your ICI1000PIM manual.
2. Plug the data (phone-style) cable supplied with the ICI3000WK between the ICI1000PIM set to address #1 and the port labeled DATA IN on the ICI3000P unit.
3. Connect a coaxial cable between the port labeled "VIDEO OUT" of the ICI3000P and a CCTV monitor.
4. Press the [1] one key on your keyboard while powering up the ICI3000P. The following will be displayed on your screen:

```
!!DEFAULTS LOADED!!  
ICI3000P BY PELCO, INC. VER. X.X  
CRC = YYYY  
CALCULATED CRC = ZZZZ
```

5. Power up the ICI1000PIM with the **supplied transformer**.
6. Press [P] on the keyboard and the following will be displayed:

Poll watch on!

7. To verify communication between your ICI1000PIM and the ICI3000P, press [I] on the keyboard and the following will be displayed:

```
Poll initialized!  
Reg. polled = 1 1 Reg. answer!  
Reg. polled = 2 2 No reg. answer!  
Reg. polled = 3 3 No reg. answer! etc.
```

The display will poll for 32 ICI1000PIM addresses, and then repeat display the addresses that answer.

8. Stop polling by pressing [P] again. The following message will be displayed:  
Poll watch off!
9. Select the Register PIM by pressing [F1] then [1] followed by [Reg #] and [ENT].
10. Power down the ICI1000PIM. Power ICI1000PIM up again.
11. A prompt will appear on the bottom of the screen. Verify that this prompt matches the description set forth in the manual supplied with your interface cable.
12. Repeat these steps for the remainder of your ICI1000PIM's

**NOTE:** Each ICI1000PIM must have a different Polling address. Refer to the ICI1000PIM manual for proper settings.

13. After polling each ICI1000PIM, power down the ICI3000P and begin installation of the ICI1000PIM and cash register interface cable into each cash register. Refer to the manual supplied with your interface cable for proper installation.

### 3.2 ICI3000WK INSTALLATION

1. Install an 18 AWG, 3-conductor shielded cable between each RJ14 phone jack at each cash register. Refer to Figure 2 for appropriate wiring configuration.

**NOTE:** Do not mount the Inter-Check unit until all connections are made and programming is complete. Video adjustments on the underside of the unit may need to be accessible during initial setup.

**NOTE:** Do not power up the ICI3000P unit until all other connections have been made. Use only the transformer supplied with your ICI3000P unit. Other power supplies may cause damage to the unit.

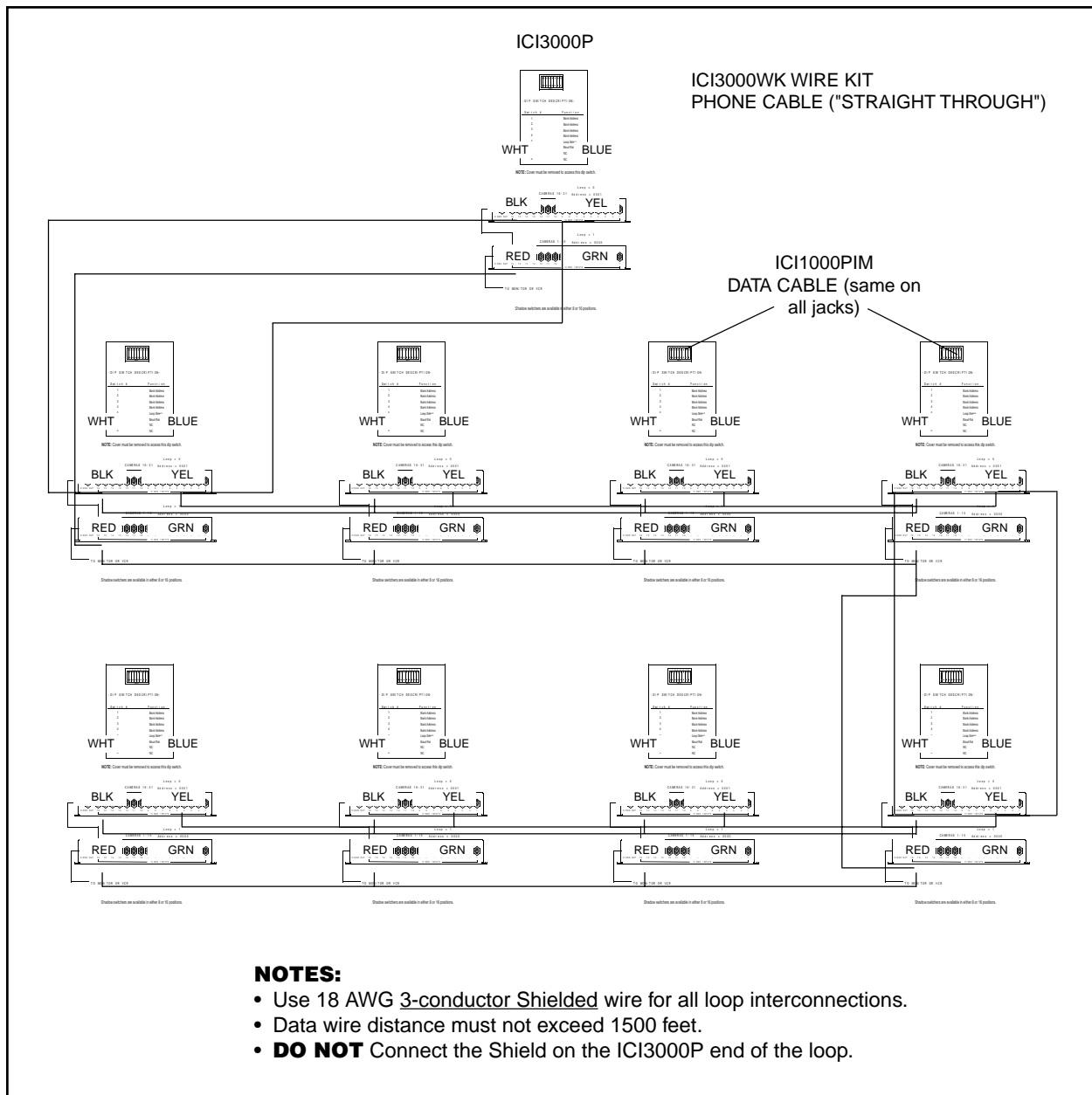


Figure 2. ICI3000P Partyline Wiring Configuration



### 3.3 ICI3008/ICI3016 INSTALLATION

Refer to Figure 1 for a typical ICI3000P configuration.

1. Connect the 9-pin switcher interface cable (supplied with the ICI3008/ICI3016 switcher) into the port labeled "RS 232" of the ICI3000P.
2. Connect the modular phone plug of the switcher interface cable into the port labeled "DATA IN" on the ICI3008/ICI3016 switcher.
3. Connect the video output from your cameras to the BNC's labeled "VIDEO INPUTS" on the ICI3008/ICI3016.
4. Connect a coaxial cable between the port labeled "VIDEO OUT" of the ICI3008/ICI3016 and the port labeled "VIDEO IN" of the ICI3000P.
5. If multiple ICI3008/ICI3016 switchers are being cascaded, connect a coaxial cable from the last video input of the first Inter-Check switcher to the port labeled "VIDEO OUT" of the second Inter-Check switcher. Remove the cover of the second Inter-Check switcher and set the 8 position dip switch to 0001 0000. Remove the cover of the first Inter-Check switcher and set the 8-position dip switch to 0000 1000 where 0 = ON and 1 = OFF (refer to Figure 8).
6. Connect the desired alarm outputs to any peripheral equipment requiring a normally open contact. (Refer to Figure 5 for pin assignment information.)
7. Connect an "IBM AT" compatible keyboard into the ICI3000P input labeled "KEYBOARD".
8. Power up the Inter-Check units using the transformers supplied with each unit.
9. To verify communication between the Inter-Check switcher and the ICI3000P, press **[F9]**. Press **[F9]** again. Next, select camera one by entering a **[1]** one followed by the **[ENTER]** key. The first red light labeled "1" on the first switcher should be on. Repeat this step for each camera input on each switcher. If an 8 or 16-position switcher has a second switcher cascaded from it, selecting camera 8 or 16 respectively will cause the first light of the second switcher to be activated.

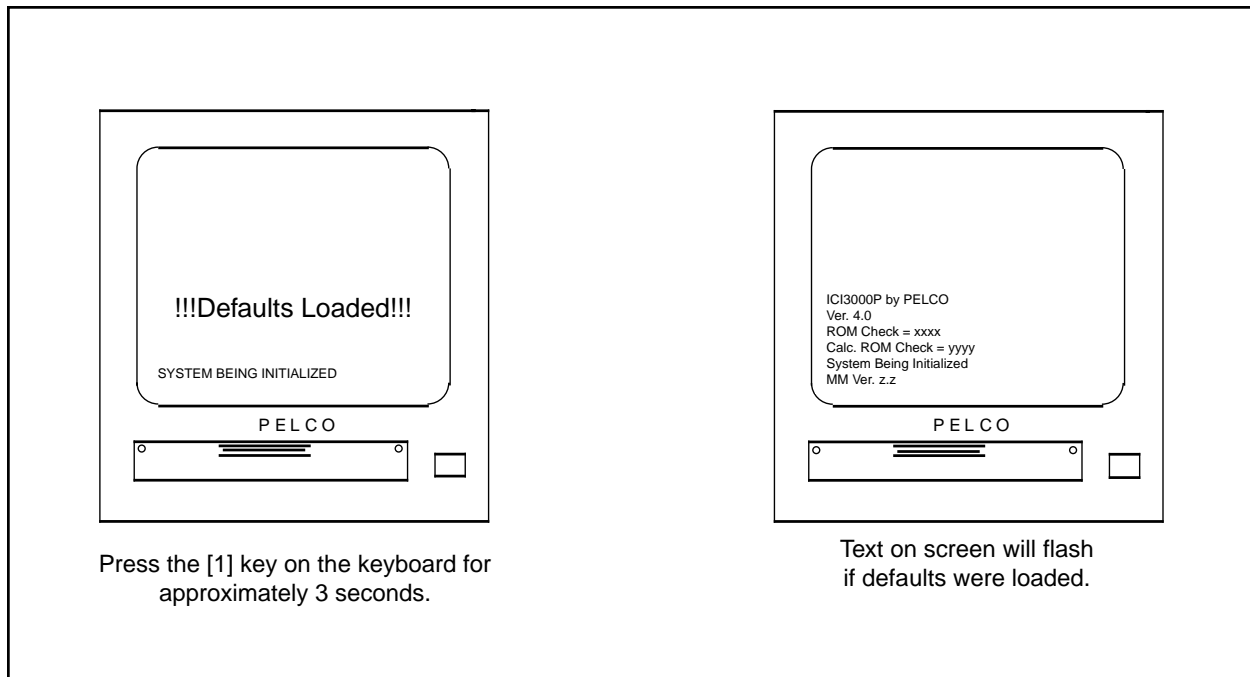
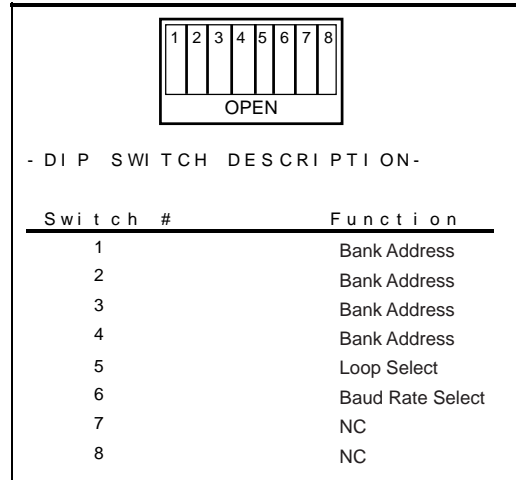
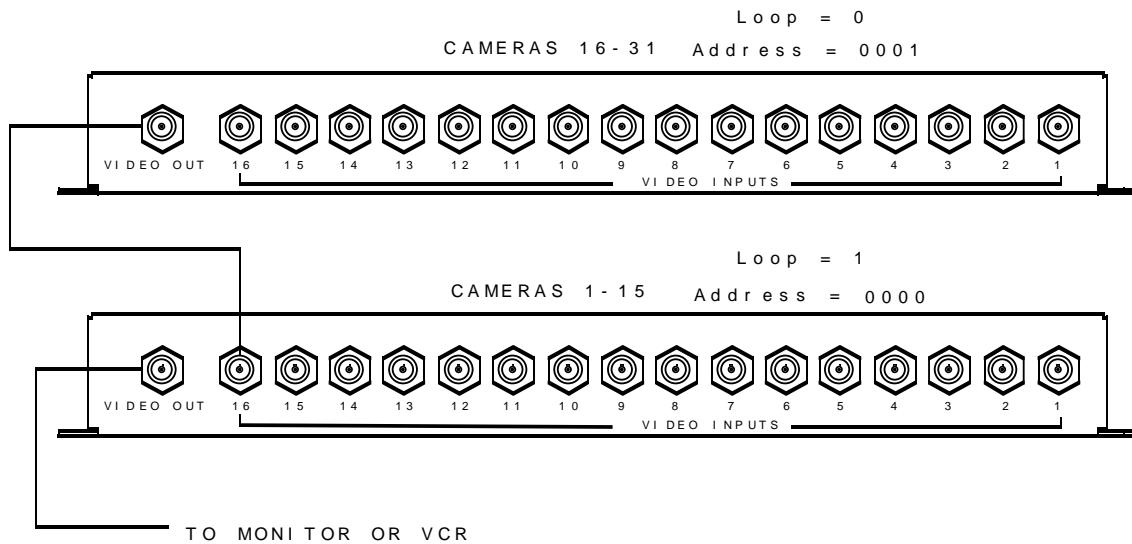


Figure 3. Defaulting Inter-Check System



**NOTE:** Cover must be removed to access this dip switch.



Shadow switchers are available in either 8 or 16 positions.

**Figure 4.** Cascading the ICI30008 or ICI3016

### 3.3.1 Alarm Pin-out Configuration

For detailed 25-pin and 9-pin alarm pin-out configuration information, see Figure 5 below.

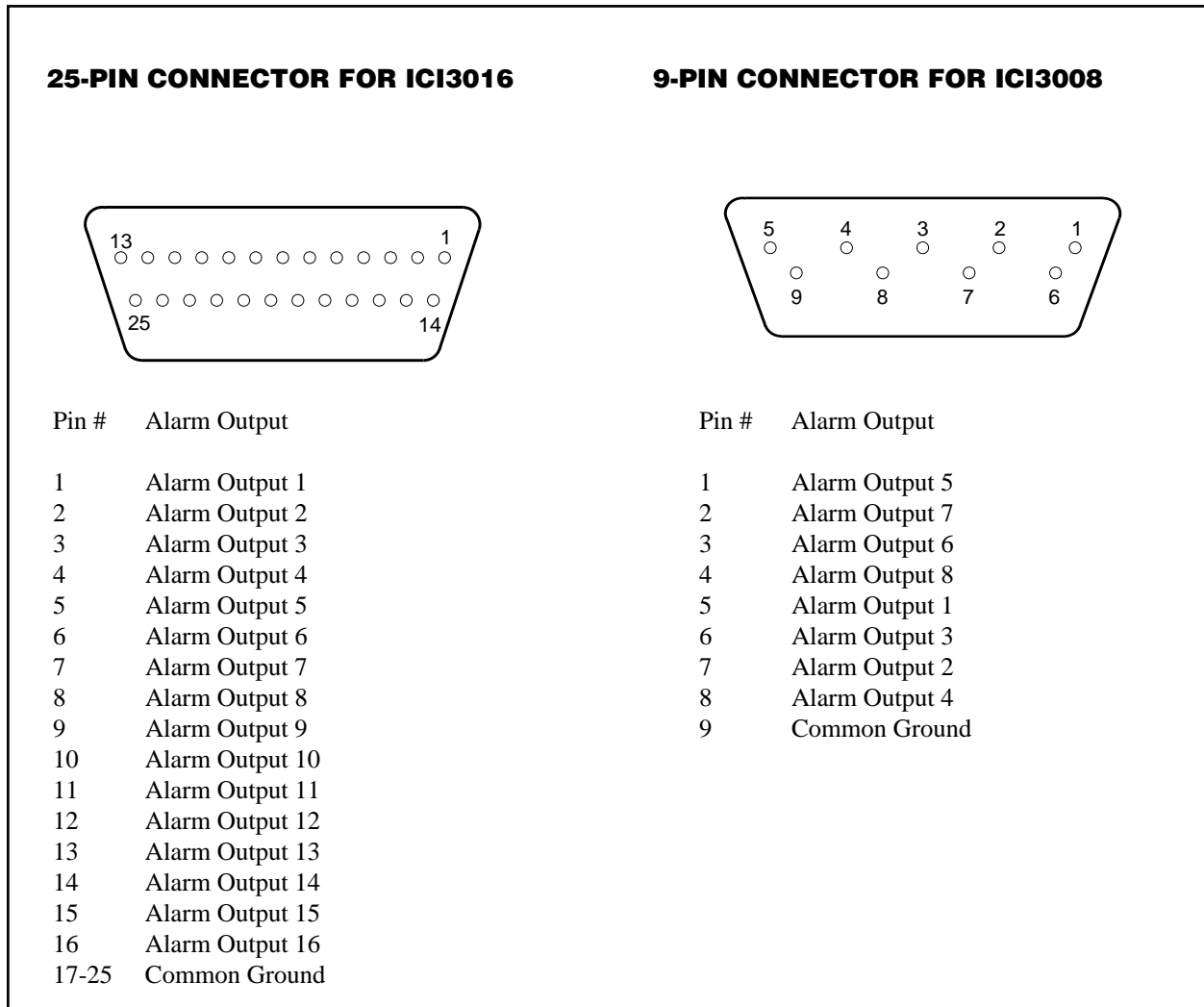


Figure 5. Alarm Pin-Out Configurations

### 3.4 EXTERNAL VIDEO ADJUSTMENTS

There are five potentiometer adjustments located on the bottom of the Inter-Check unit. These video text adjustments are for fine tuning only. Major adjustments should be done through the operating software. Use a small tipped, nonmetallic screwdriver for adjusting the potentiometers on the bottom of the Inter-Check unit (see Figure 6).

1. Adjust the HORIZONTAL SIZE of the text on your monitor by rotating the potentiometer labeled "S".
2. Adjust the INTENSITY of the text on your monitor by rotating the potentiometer labeled "I".
3. Adjust the HORIZONTAL POSITIONING of the text on your monitor by rotating the potentiometer labeled "H".
4. Adjust the VERTICAL POSITIONING of the text on your monitor by rotating the potentiometer labeled "V". If rotated fully counterclockwise the display may "jitter". A slight clockwise adjustment will correct this problem.
5. Adjust the video GAIN of the monitor by adjusting the potentiometer labeled "G". This should be turned all the way down for normal application.
6. Use the two DIP switches labeled "C" to adjust the size of the characters.
7. To keep the programming from being changed or lost, move the switch labeled "NV" into the locked position. This will prevent the loss of programmed settings in the case of power loss or battery failure.

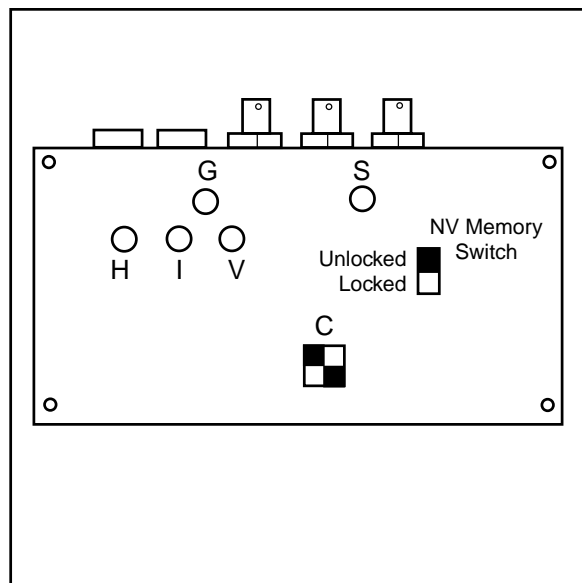


Figure 6. Video Adjustment Locations

## 4.0 PROGRAMMING

To enter the SELECT MENU press enter. The following menu will be displayed on monitor:

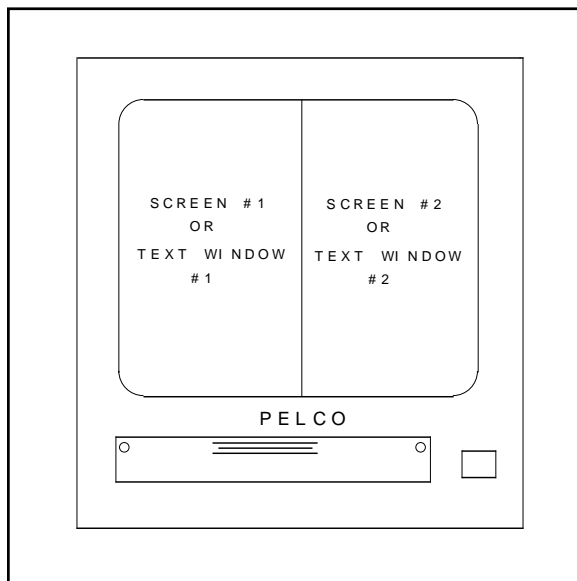
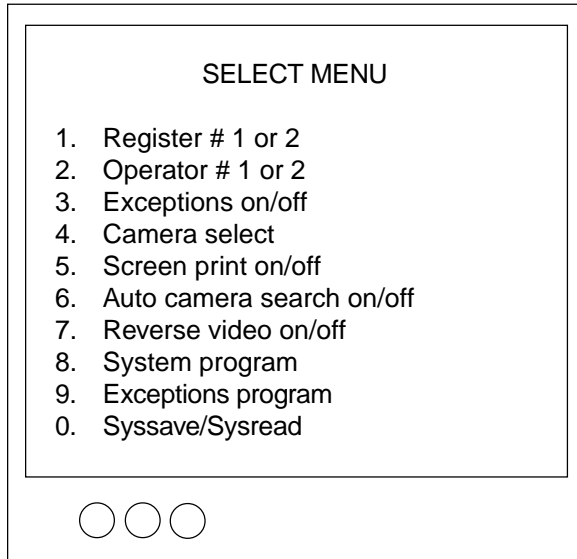


Figure 7. Inter-Check's Two Text Screens

## 4.1 REGISTER 1 OR 2 SELECT

This menu allows you to manually display the transaction data from a specific register on either Screen 1 (the left-hand side of the monitor) or Screen 2 (the right-hand side of the monitor). (See Figure 7.) To enter this menu, press [**1**]. The monitor will display: Screen 1 or 2?

Select the screen (1 or 2) on which you want your register data to be displayed and then press [**Enter**].

The next prompt is: Enter Register #\_

Type in the Register number to be monitored. Press [**Enter**]. Pressing [**Enter**] without selecting a Register will turn off the previously selected screen. For ICI3000P installations, register numbers correspond to the address of the ICI1000PIM installed within the register.

### 4.1.1 Register Selection Using the Hot Key F1

To select a specific Register for monitoring while in the monitoring mode:

1. Press [**F1**]
2. Select appropriate Screen # (no prompt is displayed): Pressing [**1**] = Screen 1, Pressing [**2**] = Screen 2
3. Select Register # or PIM NUMBER for monitoring.
4. Press [**ENTER**].

## 4.2 OPERATOR # 1 OR 2

This menu allows you to manually display the transaction data from a specific operator on either Screen 1 (the left-hand side of the monitor) or Screen 2 (the right-hand side of the monitor). To enter this menu, press [**2**]. The monitor will display: **Screen 1 or 2?**

Select the screen (1 or 2) on which you want your register data to be displayed.

The next prompt is: **Enter operator # OPR ??**

Type in the operator number to be monitored (up to three digits). Press [**Enter**]. Pressing [**Enter**] without selecting an Operator will turn off the previously selected screen.

#### 4.2.1 Operator Selection Using the Hot Key F2

To select a specific operator for monitoring while in the monitoring mode:

1. Press [**F2**]
2. Select appropriate Screen # (no prompt is displayed):  
Pressing [**1**] selects Screen 1  
Pressing [**2**] selects Screen 2
3. Select operator number for monitoring.
4. Press [**ENTER**].

#### 4.3 EXCEPTIONS ON/OFF

This function tells the Inter-Check unit whether or not you want it to search for specific transactions that may indicate fraudulent activity, known as "Exceptions". This works as a toggle switch.

- Press the [**3**] key to turn on the Exceptions. The prompt, **Exceptions on!** will be displayed at the top of the monitor.
- Pressing the [**3**] key again will turn off the Exceptions. The prompt, **Exceptions off!** will be displayed at the top of the monitor.

#### 4.3.1 Exceptions On/Off Using the Hot Key F3

To toggle the Exceptions on/off from the monitoring mode, press [**F3**].

#### 4.4 CAMERA SELECT

This function is used to select a video input from the ports labeled "VIDEO IN" on the ICI3000P, a selected input from the ICI3008/ICI3016 camera list or no video which is defined as internal sync.

To access this menu, press [**4**]. The following prompt will be displayed: **Camera 1, 2, 3 internal, F9 external**

- Press [**1**] to select "VIDEO IN 1" on the back of the ICI3000P.
- Press [**2**] to select "VIDEO IN 2" on the back of the ICI3000P.

- Press [**3**] to select internal synchronization (no video).
- Pressing **F9** will enable you to select an external camera from PELCO's ICI3008/ICI3016 Inter-Check switchers.

After pressing **F9**, the following prompt will be displayed:  
**Enter select #**

Select camera number that corresponds to the ICI3008/ICI3016 switcher.

#### 4.4.1 Camera Select Using Hot Key F9

From the monitoring mode:

1. Press [**F9**]
2. Select appropriate Video Input mode  
1 = Video Input 1  
2 = Video Input 2  
3 = Internal Sync  
F9 = Shadow List line item (To select an external camera from ICI3008/ICI3016 Inter-Check switchers.)

#### 4.5 SCREEN PRINT ON/OFF

This selection enables auxiliary serial printer port 1 on the ICI3000P. To access this menu, press [**5**]. The following prompt will be displayed:

**Screen 1 or 2?**

Enter the screen number you wish to print.

#### 4.5.1 Screen Print On/Off Using Hot Key F4

From the monitoring mode:

1. Press [**F4**]
2. Select screen number to be printed  
[**1**] = Screen 1  
[**2**] = Screen 2

## 4.6 AUTO CAMERA SEARCH ON/OFF

When enabled, this feature monitors your camera system's sync generation. If your monitoring camera loses power or is disconnected, the system will automatically switch to the next camera for synchronization. If an active video is not detected, the system will automatically switch to "internal sync". To enable the Auto Camera Search feature, press [6]. Press [6] again to turn off this feature.

### 4.6.1 Auto Camera Search On/Off Using Hot Key F12

From the monitoring mode:

- Press [F12] to activate Auto Camera Search.
- Press [F12] again to deactivate Auto Camera Search.

## 4.7 REVERSE VIDEO ON/OFF

This feature changes the visual characteristics of the data displayed by placing a black background around the video characters.

- To enable the Reverse Video, press [7].
- To disable this feature press [7] again.

### 4.7.1 Reverse Video On/Off Using Hot Key F10

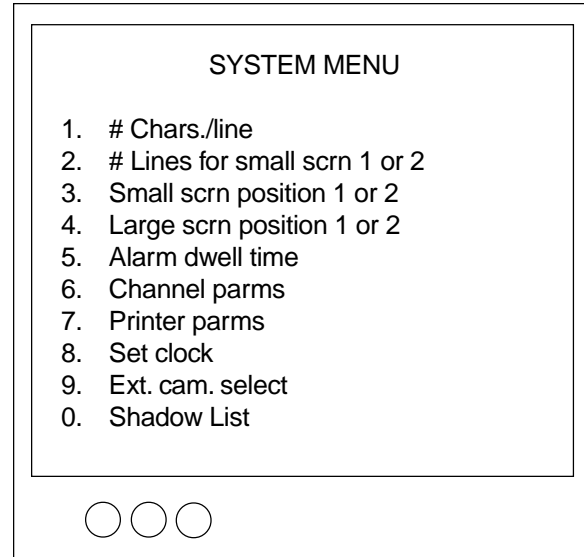
From the monitoring mode:

1. Press [F10] to activate Reverse Video.
2. Press [F10] again to deactivate reverse video.

## 4.8 SYSTEM PROGRAM

This menu is used for programming text displays; communication and printer parameters; clock features; camera selections and alarm dwell time.

To enter the System Menu, Press [8]. The following menu will be displayed:



### 4.8.1 Number of Characters Per Line

Selecting **1** from the SYSTEM MENU enables you to select the number of characters per line displayed on the monitor.

Enter a number from **1-80** best suiting your application.

To access this menu, press [1]. The following prompt will be displayed: **Screen 1 or 2?**

Enter the Screen number you wish to adjust. The following prompt will be displayed:

**# of characters = 40**  
**Enter # of characters/line 1-80**

- Enter the number of characters to be displayed.
- Press **ENTER**.

**NOTE:** The ICI3000P can only display 80 total characters per line. Selecting 50 characters for Screen 1 only allows 30 characters to be displayed on Screen 2.

### 4.8.2 Number of Lines for Small Screens 1 and 2

This feature enables you to select the number of data lines displayed on each screen. The difference between the “small” and “large” screens is that you may reduce the number of lines displayed on the small screen, while the large screen always displays 17 lines of text.

- To access this menu, press [**2**]. The following prompt will be displayed: **Screen 1 or 2?**
- Enter the applicable screen, then press [**Enter**]. The following prompt will be displayed:  
**# of lines = 5 Enter # of lines 1-17**
- Enter the number of lines desired. Press [**ENTER**].

### 4.8.3 Small Screen Position 1 or 2

This feature enables you to position the displayed text on the monitor. To access this menu, press [**3**]. The following prompt will be displayed: **Screen 1 or 2?**

Enter the screen number you wish to edit. The following numbers will be displayed:

(Screen 1)  
 111111111111111111111111111111111111  
 111111111111111111111111111111111111  
 111111111111111111111111111111111111  
 111111111111111111111111111111111111  
 111111111111111111111111111111111111

(Screen 2)  
 222222222222222222222222222222222222  
 222222222222222222222222222222222222  
 222222222222222222222222222222222222  
 222222222222222222222222222222222222  
 222222222222222222222222222222222222

**NOTE:** Only one of these blocks will appear at one time.

This block represents the text normally displayed on the monitor. The number of characters and lines displayed in this block will correspond to the selections made in Section 4.8.1 and 4.8.2. It also represents the current text position on the monitor.

Using the cursor control keys, move the block to the desired position on the monitor. Press [**ENTER**] to save.

**NOTE:** Overlapping the two screens will result in “clipping” of the displayed text.

### 4.8.4 Large Screen Position 1 or 2

This feature enables you to position the text display of your Large Screen option. This works the same way as the previous small screen position function, except that 17 lines of data will always be displayed.

#### 4.8.4.1 Large and Small Screen Toggle Using Hot Key F7

- To toggle between Large and Small screen options, press [**F7**] from the monitoring mode.

### 4.8.5 Alarm Dwell Time

This feature is used to set the amount of time the alarming output stays activated after an alarm condition. To edit this feature press [**5**]. The following prompt will be displayed:

**Screen 1 or 2?**

- Screen 1 is linked to the #1 Alarm Output.
- Screen 2 is linked to the #2 Alarm Output.
- Enter the applicable screen number. The following prompt will appear: **Alarm dwell = 1**
- Enter an alarm dwell time 0-255

The default dwell time is set to 1 second. To change the dwell time, enter the new dwell time in seconds. Press [**ENTER**].



## 4.8.6 Channel Program Menu

### 4.8.6.1 Partyline

Press [6]. The following prompt will be displayed:

#### CHANNEL PROGRAM MENU

4. Group Poll List
5. Exception Follow Alarm Time
6. Group Select

### 4.8.6.2 Channel Program Menu

1. **Baud Rate** — Not Applicable
2. **RS-232** — Not Applicable
3. **ISO-Jack** — Not Applicable

#### Group Poll List

This selection will allow you to edit the eight-register group you choose using Group Select in the Channel Program group. This selection is used if there are more than 16 registers in the system. This list allows you to monitor any combination of 16 registers.

For example, if you wish to monitor registers 1 through 8 plus registers 18 through 26, you would select Group 2 using the Group Select menu option. Then select the Group Poll List menu option and enter registers 18 through 26 to be monitored in Group 2 rather than the default list which is 9 through 16.

The 16 registers to be monitored can also be selected using Hot Key G and Hot Key B while in the monitoring mode.

Hot Key G is used to select one of the four groups of eight registers. The status bar at the bottom of the video screen will show which screen is currently selected. If Group 2 is selected, for example, the status bar will read:

G4 = 2.

Similarly, if you wish to select a block of registers (16 registers), press Hot Key B. If Block 2 is selected, for example, the status bar will read: B2 = 2. (Block 2 includes registers 17 through 32, which is the same as Groups 3 and 4.)

### Exception Follow Alarm Time

This option is used to set the length of time the Inter-Check unit will dwell on an exception when using the Exception Follow or Hot Key E. When this option is selected, the video screen will display:

Alarm Dwell = 10  
Enter Alarm Dwell Time 0 - 255

### Group Select

This option is used to choose a group of eight registers in the poll list that you want to edit using the Group Poll List menu option.

### 4.8.7 Printer Parameters

From this menu the baud rate for the auxiliary output port may be adjusted to communicate with an optional serial printer. The Inter-Check defaults to 9600 baud.

To edit the baud rate, press [**7**]. The following prompt will appear:

**Printer baud = 9600**  
**Enter baud rate 1 - 19200?**

Enter the desired baud rate for your printer.  
Press [**ENTER**].

### 4.8.8 SET CLOCK

This function is used to set the internal clock to match real time. To edit, press [**8**]. The following prompt will be displayed:

**1. Time**  
**2. Date**

- To set the time, press [**1**].
- Enter the correct military time separating each pair of numbers by a colon.
- Press [**ENTER**] to save.
  
- To set the date, press [**2**].
- Enter the correct date separated by a slash.
- Press [**ENTER**] to save.

### 4.8.9 External Camera Select

This feature selects the screen (1 or 2) to be used for controlling the Inter-Check switcher. The selected screen will have an “S” displayed at the bottom.

- To change the settings, press [**9**]. The monitor will display: **Screen 1 or 2?**
- Select the desired screen. The following prompt will appear: **1. on 2. off**
- Press [**1**] for screen on or [**2**] for screen off.

#### 4.8.9.1 Equivalent Camera Select Hot Key F9

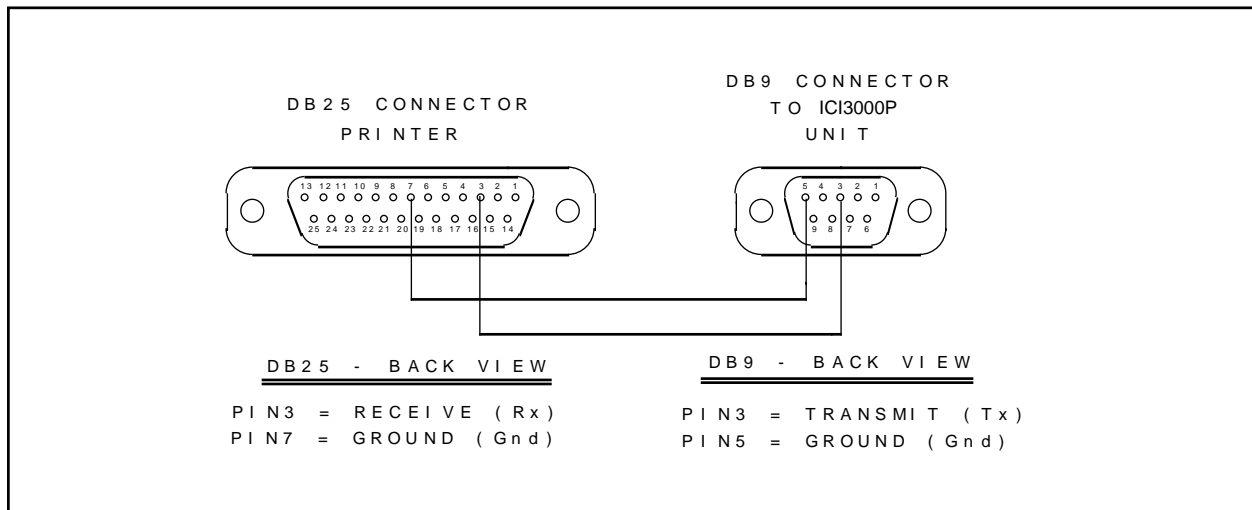
1. Press [**F9**]
2. Select appropriate Video Input mode
  - 1 = Video Input 1
  - 2 = Video Input 2
  - 3 = Internal Sync

*OR* - For manual external camera selection on an Inter-Check Switcher:

1. Press [**F9**]
2. Press [**F9**] again
3. Select appropriate camera from the Shadow List:

[**1**] = Selects the camera programmed into Shadow List preshot #1

[**2**] = Selects the camera programmed into Shadow List preshot #2, etc.



**Figure 8.** DB25 Printer Connector to DB9 ICI3000P Unit Pin Assignments

#### 4.8.10 Shadow List Programming

This list tells the 8- or 16-position Inter-Check Switcher which camera and POS terminal are linked together. It is also used to program sequential video switching. The [**S**] hotkey is used to turn switcher sequencing on and off.

Press [**0**]. A long list of numbers will scroll up the screen. The following prompt will appear:

```
30. 30    30
31. 31    31
32. 32    32
ESC to exit or ENTER to edit!
```

The default setting is thirty-two line items. If you have already changed the programming, the list will stop with the last programmed item.

- Press [**Enter**] to edit. The cursor should now be under the REG” (for Register) column.
- Type in the number of your first Register, then press [**Enter**].

```
REG    CAM    DWL
1.1    1
```

The cursor will move to the next column under CAM. Enter the camera number on the Inter-Check switcher used to capture video for your first register. Press [**Enter**].

```
REG    CAM    DWL
1.1    1      1
```

The cursor should now appear under the DWL column. This is used for setting camera dwell time. Dwell time is the amount of time in seconds that the video picture will appear on the screen before switching to the next camera. Enter the desired dwell time, then press [**ENTER**]. If you want to skip a particular camera position during sequencing, enter a zero for the camera dwell time.

**NOTE:** If you need to skip a line during programming, press the [**ESC**] key. Pressing the [**ENTER**] key will end your programming session and return you to the System Menu.

Example 1:

Shadow List

	REG	CAM	DWL
1.	1	1	5
2.	2	1	6
3.	3	2	4
4.	4	6	2
5.	5	9	

During sequencing, with the above parameters set, the following would occur:

1. Camera 1 would be selected for 5 seconds.
2. Camera 1 would be selected for 6 more seconds.
3. Camera 2 would be selected for 4 seconds.
4. Camera 6 would be selected for 2 seconds.
5. Since there is no dwell time programmed for camera 9, it will be skipped and sequencing will start over from the beginning.

Example 2:

Shadow List

	REG	CAM	DWL
1.	1	1	
2.	2	2	5
3.	3	3	5
4.	4	4	5

Number one has nothing programmed under dwell time. The Inter-Check unit interprets this as “we’re at the end of the sequence; go back to the beginning”. Since this is the beginning, no sequencing takes place.

Each alarming output has its own dwell time. Alarm output number two’s dwell time is used for additional functions, including switcher sequencing and exception hold time. If there are a number of conflicting commands asking for the “use” of the timer simultaneously, the timer determines priorities in the following order:

1. Alarm output timing
2. Exception hold (if exceptions are on)
3. Shadow switcher (if sequencing is on)

During an exception, the camera dwell time programmed above will also be used for the dwell time of the alarm output. The preprogramming dwell time for the alarm output is overridden during an exception. Once the exception alarm has “timed out”, sequencing will continue from that item in the shadow list.

## 4.9 EXCEPTIONS

Exceptions are cash register transactions of special interest that can be programmed into the ICI3000P units. Typical transactions are VOID, REFUND, CASH PAID OUT and NO SALE. These types of transactions can then be used to alarm your VCR or other alarmable device for video recording. Exceptions can also be printed out on an external serial printer for immediate hard-copy evidence.

**NOTE:** Exceptions can only be displayed on screen #2. Therefore, you cannot monitor a register or operator number on screen 2 if exceptions are used.

Press [**9**]. In the Main Menu and the following menu will be displayed:

### EXCEPTIONS MENU

1. Edit exception text
2. Transaction Type
3. Del. Register Mask
4. Apply Register Mask

Press [**1**]. The following prompt will be displayed:

Enter text or (ESC) to exit, (DEL) to delete line,  
(ENTER) to end line  
1234567890123456789012345678901234567890  
01==\_

The "1234..." sequence of numbers serves as your guide. As mentioned earlier these numbers are called an Exception Column Line.

### 4.9.1 Exceptions using the Column Specific Strategy

A Column Specific Exception is used to “flag” a transaction according specific placement of text on the register ticket. As an example, if the word VOID normally appears starting 5 spaces from the left during a void transaction, you would type in the following:

```
1234567890123456789012345678901234567890
01=>^D^S^K^V^O^I^D
```

- A. To find specific text placement on the screen, select a register by selecting the [**F1**] key in the monitoring mode and then press the [register number], and then [**Enter**].
- B. Turn on the exception column line by pressing the [**L**] toggle key. The screen will now display:  
1234567890123456789012345678901234567890
- C. When you see the transaction come up on the monitor’s screen, press the FREEZE toggle key [**F6**]. This will stop the text from scrolling and allow you to take a good, close look at the correct placement of your particular transaction.
- D. Write what you see on a piece of paper for a programming reference. (You will need this information when programming the information you see now into the ICI3000P unit.) Use the numbers above the text as a placement reference.

Use the [**<Shift>**] and [**6**] keys simultaneously to produce the ^ (Caret) symbol (also used for wildcard searches).

**NOTE:** When the caret symbol is used as the first character of exception text, it causes that line to become Column Specific. Also, when the Caret is preceded by any other character it will be recognized by Inter-Check as a wildcard character. This means Inter-Check will accept any character of text at that point. Only ^ symbols used before your Exception data will be recognized as column dependent searches.

The example below will search data for any text in the sixth position starting with D (Wildcard) SK. Therefore, an exception will appear if the word DESK, DISK, DUSK, or any other similar combination, appears on the register.

```
1234567890123456789012345678901234567890
01=>^D^S^K
```

To accept this Column Specific caret situation press [**ENTER**] at the end of the exception to save and [**ESC**] to exit the Edit Exception Text menu.

### 4.9.2 Exceptions using the Global Exception Strategy

A Global Exception is used to “flag” any text regardless of the placement on the register receipt. Programming is done by simply typing in the Exception you’re interested in on the first line. An example of a VOID Global Exception is shown below:

```
1234567890123456789012345678901234567890
01=>VOID
```

When you’re done, press [**Enter**] and the cursor will jump down to the next line (02). At this point you can either program in another Exception or press [**ESC**] to exit. Up to 15 total Exceptions can be programmed into your ICI3000P unit.

### 4.9.3 Exceptions Using the Price Point Editing Strategy

This type of exception is used to program an exception that is looking for characteristics in the actual price of the item, rather than a specific word. The keyboard character used in this type of exception strategy is a double bar [⏏] and is displayed by pressing [**SHIFT**] [\] simultaneously.

Follow these procedures for successful programming:

1. First determine the maximum number of digits that your register system allows, and figure out where on the exception column line scale the price's decimal point will be lined up. A good way to figure this position out is to use the exception column line feature in the monitoring mode. This is done by pressing the [L] key in the monitoring mode while ringing in the desired transaction on the register you are currently monitoring.
  - 1A. Select a register by selecting the [F1] key in the monitoring mode, then press the [register number], and then [Enter].
  - 1B. Turn on the exception column line by pressing the [L] toggle key. The screen will now display:  
1234567890123456789012345678901234567890
  - 1C. When you see the transaction come up on the monitor's screen, press the FREEZE toggle key [F6]. This will stop the text from scrolling and allow you to take a good, close look at the correct placement of your particular transaction.  
1234567890123456789012345678901234567890  
03=>Total: 9999.99 ^  
  
(Decimal point at Second "2" position.)
  - 1D. Write what you see on a piece of paper for a programming reference. (You will need this information when programming the information you see now into the ICI3000P unit.) Using the numbers above the text as a placement reference.
  - 1E. Enter the Edit Exception Text Menu once again.
2. Next, type in [0's] for every digit allowed by your Register system, preceding the first "0" with a double bar (⏏) and following the last "0" with a double bar.

Place a Caret symbol in front of your text to make it Column-specific, and between text as a wildcard symbol.

```
1234567890123456789012345678901234567890
03=>⏏⏏⏏⏏Total:⏏⏏⏏⏏⏏⏏0000.00|
```

If you want your ICI3000P to look for numbers that are greater than, less than, or equal to a set limit (i.e., any total less than 0 or any transaction greater than \$999), follow the last double bar with a "Greater Than", "Less Than" or "Equal To" symbol. For example, if we want Inter-Check to look for any total of \$999 or greater, we would program the following:

```
1234567890123456789012345678901234567890
03=>⏏⏏⏏⏏Total:⏏⏏⏏⏏⏏⏏0999.00| >
```

If you wanted Inter-Check to look for any negative total, we would program the following:

```
1234567890123456789012345678901234567890
03=>⏏⏏⏏⏏Total:⏏⏏⏏⏏⏏⏏0000.00|<
```

In this case, we are telling the ICI3000P to look for any number "less than" 0000.00.

If you wanted Inter-Check to look for any total equal to \$999.00 program the following:

```
1234567890123456789012345678901234567890
03=>⏏⏏⏏⏏Total:⏏⏏⏏⏏⏏⏏0999.00|=
```

OR

```
1234567890123456789012345678901234567890
03=>⏏⏏⏏⏏Total:⏏⏏⏏⏏⏏⏏0999.00|=
```

Equal is the default value so you don't have to actually insert the [=] sign after the double bar character. If you decide to use the equal sign to be consistent, it will not affect the operation of the Inter-Check unit.

**NOTE:** If you want to look for a total that is less than another negative total (in other words, more negative), use the negative total and the less than sign.

In this example, we are looking for any total which shows a refund greater than \$2.00:

```
1234567890123456789012345678901234567890
03=>⏏⏏⏏⏏Total:⏏⏏⏏⏏⏏⏏-0002.00|< ^^
```

"Negative"

"Less Than"

#### 4.9.4 Exceptions with Descriptors

If you would like to describe the type of Exception that is being “flagged”, you can use a descriptor. As an example, with our negative total, you may want Inter-Check to print the following: “**NEGATIVE TOTAL**” following the transaction. This is done by simply typing the “Backslash” [\] key and the descriptor you want at the end of the exception line (the last line of text or <, >, or = sign).

Example 1:

```
1234567890123456789012345678901234567890123
03=>^Total:0000.00<\NEGATIVE
TOTAL
```

In this example using the column specific and price point exception strategies, Inter-Check will print “**NEGATIVE TOTAL**” as a descriptor after every transaction that is less than \$0.00.

Please note that when programming descriptors or extra text lines, this order/priority must be followed:

First: The exception price point or text and its “definitions” such as (0000.00<) or (VOID)

Second: Any descriptors such as (0000.00<\NEGATIVE TOTAL)

It’s important to recognize how your ICI3000P reads certain parts of your exception line when you program that information. The “|” character is recognized as taking up one space on the exception text line. The ^, <, >, or = characters are not. Any text entered after these signs will be recognized by your Inter-Check unit, when scanning for exceptions that are met, as being in the position they occupy. Here’s an example:

```
1234567890123456789012345678901234567890
01=>^0000.00<N
```

You might say, at first glance, that Inter-Check will need to see the letter “**N**” in the 15th position to recognize this as an exception. In truth, the ICI3000P ignores the position of the < sign, and “slides” the N over one space to the 14<sup>th</sup> position. Please keep this in mind when programming exception text that follows a price point.

#### 5.0 SUMMARY OF EXCEPTION KEYBOARD DEFINITIONS:

- [ENTER]** Saves any changes to one line of text in the exception text editor.
- [DEL]** Deletes all characters to right of the cursor.
- [ESC]** Exits out of the edit exception text menu back into the exceptions main menu.
- [^]** Wildcard or column specific character.
- [\]** Descriptor symbol
- [|]** Price point exception indicator
- [SPACE]** Inserts position spaces in the editing mode.
- [=]** Equal to a desired numerical value in price point exceptions.
- [>]** Greater than a desired numerical value in price point exceptions.
- [<]** Less than a desired numerical value in price point exceptions.
- [TAB]** Has same function as the right arrow-control key. Enables you to sequence through each character on an exception line which saves you the hassle of reentering existing information on an exception line.
- [~]** Tilde, used in conjunction with a + or -at the end of an exception text causes the display to print the 2 lines prior (-) or the 2 lines after (+) the exception.

## 5.1 REGISTER MASKING

This feature allows you to ignore exceptions when they occur on certain registers. As an example, you may have one register dedicated specifically to returns, so you'll want to ignore refund transactions at this register because they occur constantly. The delete register mask option works coincidentally with your programmed exceptions. You will "link" certain exceptions to certain registers with this feature.

Upon pressing **[2]**, you'll see the following prompt:  
**(1)=Edit list (2)=Edit link (ESC)=Exit**

To edit the list, press **[1]** again. You will see the prompt:  
**ESC to exit or ENTER to edit !**

Press **[ENTER]**, and the monitor will scroll a list of item numbers. If none have been programmed, it will just list the first item number:

1. ESC to exit or ENTER to edit !

Press **[ENTER]** again. The cursor will position itself next to line item number one. Enter the register number you want linked with an exception. Linking tells the Inter-Check unit to ignore an exception for a selected POS terminal. Up to 10 registers may be entered in the edit list. Press **[ESC]** to skip a line. **[ENTER]** will end the programming session.

To "link" the register and exception line together, from the delete reg. Mask prompt you must press edit link **(2)**. Upon hitting 2 you will see the following:

1=Off 2=Off 3=Off 4=Off  
5=Off 6=Off 7=Off 8=Off  
9=Off 10=Off 11=Off 12=Off  
13=Off 14=Off 15=Off 16=Off  
ESC to exit or ENTER to edit !

You can enter up to 16 exceptions during exception programming. Each one has a corresponding number, which is represented on this screen. Use this feature to tell Inter-Check which exception(s) you want linked to your previous list of registers you programmed in. Upon pressing [Enter] the monitor will display:

ESC to Link or CR to Unlink 1=Off

If you would like exception number one to be "linked" to the register(s) from your edit list, press **[ESC]**. The Screen will change to:

ESC to Link or CR to Unlink 1=Off On 2=Off

Do this for as many of your exceptions as you'd like. If you had an exception you wanted to unlink or when you are finished programming press **[Enter]**.

This feature is similar to the delete register mask except that it allows you to respond to an exception only if it is linked to a register on this list.

Upon pressing **[3]**, you'll see the same kind of prompts as you did with the delete register mask function:  
**(1)=Edit list (2)=Edit link (ESC)=Exit**

Pressing **[1]** will allow you access to the apply register mask list, which is configured the same as the delete register mask list:

1. ESC to exit or ENTER to edit !

If you wish a particular exception to be accepted only when it applies to a specific register, enter the register number now at the first item number. Do this for as many registers as you need. Again, you can enter up to 10 registers.

To link your register(s) to an exception, you must enter the edit link function by pressing **[2]**. The procedure to link the register and exception is exactly the same as in the delete register mask sequence, except now you're telling Inter-Check: "Only when this exception is met on this/these register(s), do I want it flagged as an exception. Otherwise, ignore this exception".

Please note that if an exception is not linked to either the delete register mask or apply register mask function, then it will be treated as a normal exception.

A register should never be linked to both the delete register mask and apply register mask functions. If it is, the delete register mask function will have priority.

## 5.2 SYS SAVE/SYS READ

Press the **[0]** key from the SELECTION MENU. Press the **[1]** key (SYSSAVE). You may have to wait several seconds to allow the Inter-Check to do the save. The Inter-Check unit will beep once when it is done saving your current parameters to nonvolatile memory.



## 6.0 HOT KEY SUMMARY LIST

### [B] BLOCK SELECT

Used to select polling for a block of two (2) or four (4) groups of registers.

### [C][I] CLEAR COMMUNICATIONS

Clears Communication to PIMs and ICI3000P.

### [E] EXCEPTION FOLLOW ON/OFF

The [E] key turns on the Exception Follow sequence for Screen 1. When an exception occurs, the unit will continue to monitor the POS terminal until an exception occurs on another terminal. When activated, the following prompt will be displayed:

```
0000=EXF1>V S
```

If you wish to monitor a particular register while waiting for an Exception to happen you can simultaneously use the [F1] Hot Key. With Exception Follow, both screens are used to look for Exceptions. Remember, Exceptions must be turned on in order for the [E] key to work.

### [G] GROUP SELECT

Toggle between register groups 1 and 2, or 1 and 4.

### [L] EXCEPTION COLUMN LINE ON/OFF

Turns on a row of numbers called an Exception Column Line which is used for programming Exceptions. This feature is especially useful when attempting to program Column Specific Exceptions.

### [R] MAIN REGISTER for exception follow.

### [S] SEQUENCING ON/OFF

The [S] key works as a toggle switch, turning on and off the "Sequencing" of the Inter-Check switcher. You can still use the hot key combination [F9], [F9] to manually select an item from the Shadow List. Each time you press the [S] key, Inter-Check will beep and display a prompt informing you of the current settings.

### [ESC] STANDBY MODE [ESC]

Puts the data in Standby mode and clears existing data from the screen. This provides a clear view of the video picture. [ENTER] returns to the monitoring mode. This function clears the communication lines and buffers.

### [F1] REGISTER SELECT

This function allows a specific register to be monitored continuously (see Section 4.1).

### [F2] OPERATOR SELECT

This function allows a specific POS terminal operator to be continuously monitored (see Section 4.2).

### [F3] EXCEPTIONS ON/OFF

This function turns on/off the exception monitoring (see Section 4.3).

### [F4] EXTERNAL PRINTER ON/OFF

This function turns on/off the external printer and prints the text currently displayed on the monitor. After pressing [F4], press [1] or [2] to select the screen to be printed. A "P" will appear on the status line of the screen you have selected. Inter-Check will prompt: "Printer On" or "Printer Off" for current printer status. Pressing [F4] and the screen number again will turn off the printer as indicated by the disappearance of the "P". The ICI3000P will only print to the external printer for the last screen selected (see Section 4.5).

### [F5] PRINTER DUMP

This function is similar to the F4 function, except it will print 40 lines of data previous to the current display. Printing will continue until turned off. This feature is used for capturing important information that may have scrolled off the screen.

### [F6] FREEZE FRAME

This will "freeze" all action on the screen, both video and data text. Pressing [F6] again will "unfreeze" text.

### [F7] SMALL SCREEN/LARGE SCREEN TOGGLE

Depressing this key will toggle your data screen display from Small Screen Text Window parameters to the Large Screen Text Window parameters. Remember, you can program the number of lines you want displayed for Small and Large Screen (Large screen 17 lines only.) (See Section 4.8.2 - 4.8.4).

### **[F8] PAGE BACK/PAGE FORWARD TOGGLE**

This option allows you to look back one page of text on your monitor to verify data. By using this key you will automatically force the unit into large screen mode. Pressing [**F8**] again will bring back the current page of text. The active page will show the cursor at the bottom of screen.

### **[F9] CAMERA SELECT**

This function selects a video input from the ports labeled "VIDEO IN" on the ICI3000P, a selected input from the ICI3008/ICI3016 camera list or no video which is defined as internal sync (see Section 4.4 and 4.8.9).

### **[F10] REVERSE VIDEO ON/OFF**

This feature changes the visual characteristics of the data displayed by placing a black background around the video characters (see Section 4.7).

### **[F11] SCREEN DATA DUMP**

This feature will send all data currently displayed on the monitor and any data following to the printer. No data will be displayed on the monitor until the [**F11**] key is pressed again. In order to activate the data dump, press [**F11**] followed by the desired screen (1 or 2).

### **[F12] AUTO CAMERA SEARCH ON/OFF**

Monitors camera system's sync generation. If monitoring camera loses power or is disconnected, the system will switch to the next camera for synchronization. If active video is not detected, the system will switch to "internal sync" (see Section 4.6).

## 7.0 TROUBLESHOOTING

This section covers some basic troubleshooting examples and possible solutions for each. Consult this section first before calling your PELCO representative.

**Problem:** ICI3000P unit does not receive data.

**Solution:** Make sure that the data cable is plugged into the DATA INPUT of the ICI3000P unit. Check baud rate.

---

**Problem:** Inter-Check unit displays :  
KEYBOARD TRANSMIT TIMEOUT  
NO ACK FROM KEYBOARD

**Solution:** Make sure that your keyboard is IBM/AT compatible.

---

**Problem:** Text on the right side of the screen overlaps with text on the left side.

**Solution:** Your large and small text screens are set up improperly. Refer to Sections 4.8.1-4.8.4.

---

**Problem:** Printer prints strange characters

**Solution:** Make sure that the baud rate of the Inter-Check unit matches the baud rate of the printer. The unit defaults to 9600 baud so the printer must also be programmed for 9600 baud.

---

**Problem:** No video displayed on the monitor.

**Solution:** If using more than one camera (i.e., Shadow Switcher), make sure that your auto camera search feature is turned OFF. Refer to Section 4.8.10 for information on how to operate this feature.

Turn on the monitor.

Check cabling and verify that the camera and monitor cables are inserted into the unit properly.

---

**Problem:** No power to the ICI3000P; the red power LED indicator is not lit up.

**Solution:** Make sure power supply is plugged into the unit properly.

Ensure that the outlet or power strip is powered.

---

**Problem:** Vibrating text

**Solution:** Adjust the Video Gain potentiometer.

---

**Problem:** Text on screen 2 is being "cut off" on the right side of the monitor.

**Solution:** Adjust the Size (S) potentiometer on the bottom of the ICI3000P. Turn this control all the way counterclockwise to achieve the smallest character size. Refer to Section 3.4 for a better description of this feature.

Check the number of characters per line you have programmed in for each screen.

Check Large and Small screen data positions to ensure that they do not overlap.

## 8.0 POWER-UP PROCEDURE FOR THE ICI3000P

In the event of a power failure, the Inter-Check System has a nonvolatile memory and will retain all memory that has been previously saved. Some program functions, in order to be used, will have to be activated using the hot keys.

Following is a power-up procedure checklist to be followed in the event that the Inter-Check system experiences a power outage.

1. Check all cables (power, video, data, alarm, etc.); make sure all connections are intact.
2. Power down and then power up the ICI3000P to make sure system defaults have loaded and initialized correctly.
3. Turn on the "Auto Camera" feature by pressing **[F12]** or by pressing **[Enter]** from the select menu and **[6]** to select Auto Camera ON. Turn the video ON if the monitor is blank by pressing **[P]** while in the Monitoring mode. Then press **[F9]** again followed the camera in the Shadow List that you wish to view.
4. Poll the ICI1000PIM units to make sure that they are communicating by pressing **[P]** while in the Monitoring mode. Then press **[I]** to initialize the poll. If some units do not answer, check all system cables for loose connections.
5. Check all programming to confirm that the memory was retained. To reenter any programming that may have been lost, make sure that the NV switch on the underside of the ICI3000P unit is in the "unlocked" position (i.e., away from the BNC connectors on the back of the unit. Lock the NV switch when programming is complete.
6. Execute a "System Save" to retain programming information. To exit out of the Monitoring Mode, press "Enter". Select the Menu and press **[O]** to save.
7. To reactivate the functions you need, use the Hot Key Summary List on page 19 of the ICI3000P manual. Press the corresponding Function Keys ("S" to sequence, for example), while in the Monitoring Mode.

## 9.0 SPECIFICATIONS

Weight:	3 pounds
Dimensions:	Length = 9.50 inches Width = 5.75 inches Height = 1.50 inches
Operating Temperature:	35° F to 95° F
Storage Temperature:	-4° F to 140° F
Operating Humidity:	20% to 80% non-condensing
<b>ELECTRICAL SPECIFICATIONS:</b>	
<b>FCC Approved:</b> This equipment has been tested with a CLASS A computing device and has been found to comply with part 15 of FCC rules. Operation in a residential area may cause unacceptable interference to radio and TV reception requiring the operator to take whatever steps are necessary to correct the interference. (45 FR 24165, APR 9 1980)	
Power Input:	5 volts DC $\pm$ 3% Fused at 1.0 amps surge
Power Supply:	120 volts AC @ 15 watts in - 60 Hz 5 volts DC @ 1.0 amps out 5% line load regulation
Frequency:	50 Hz - 60 Hz.
Video Inputs:	(2) 75 ohm NTSC/PAL, BNC Connect
Video Output:	(1) 75 ohm NTSC/PAL, BNC Connect
Camera Switch:	Switch on vertical of displayed signal. Dwell time accuracy = $\pm$ .1 second
Internal Standard Option:	Composite NTSC
Synchronization:	Vertical = 60 Hz @ 260 $\mu$ s Horizontal = 15.36 KHz @ 4.38 $\mu$ s
Alternate PAL option:	Vertical = 50 Hz @ 260 $\mu$ s Horizontal = 15.36 KHz @ 4.38 $\mu$ s

Video Bypass: 5 volt dry contact relay passes video to input 1

Switch: Video output upon power loss

### DATA INPUT:

Keyboard Input: IBM/AT compatible - inputs filtered with 470 ohm pullups and 220 pf. caps.

Alarming Outputs 1 and 2: Optoisolated up to 3000 volts

Real Time Clock: Year, Month, Day Hours, Minutes, Seconds. Accuracy is approximately 2 seconds per year. Battery backup of 1 year off load power or 2 year power on load

Battery type: Lithium type, 3 volts @ 160 MA

Non-Volatile Memory: May be corrupted by large magnetic fields or x-rays. Write protected switch for power surges and intermittents

Video Character Display: Standard Option: Max. of 17 lines per screen. Max. of 80 characters per line

Programmable Exception Flagging: 15 lines of exceptions possible.  
10 Transaction types possible.  
Each line may contain up to 60 characters.

Video Adjustment Potentiometers:  
**(H)** Horizontal position fine tune  
**(V)** Vertical position fine tune  
**(S)** Horizontal character size  
**(I)** Character intensity  
**(G)** Video Gain

## 9.1 OUTPUT DEFINITIONS

WIRE COLOR	PIN DESIGNATION	DESCRIPTION
White	1	+5 volts (For testing only)
Black	2	Signal Ground
Red	3	RS232 Current Loop CHANNEL 1 INPUT
Green	4	NOT USED
Yellow	5	(Opto y-jack input) ICI1000PIM Input for CHANNEL 1
Blue	6	NOT USED

### AUXILIARY PORT 1 (Printer Port)

Communications = Standard RS232 Asynchronous  
 9600 Baud  
 8 bits  
 No Parity

### AUXILIARY PORT 2 (Shadow Switcher/Dome Port)

Communications = Standard RS232 Asynchronous  
 9600 Baud  
 8 Bits  
 No Parity

## 9.2 DB9 PINOUT

PIN #	DESCRIPTION
1	NOT USED
2	RX AUX 1
3 (Printer port)	TX AUX 1
4	NOT USED
5	SIGNAL GROUND
6	NOT USED
7	RX AUX 2
8 (Dome-Shadow port)	TX AUX 2
9	NOT USED

## 10.0 WARRANTY AND RETURN INFORMATION

### WARRANTY

Pelco will repair or replace, without charge, any merchandise proved defective in material or workmanship for a period of one year after the date of shipment.

Exceptions to this warranty are as noted below:

- Five years on FT/FR8000 Series fiber optic products.
- Three years on Genex® Series products (multiplexers, server, and keyboard).
- Three years on Camclosure® and fixed camera models, except the CC3701H-2, CC3701H-2X, CC3751H-2, CC3651H-2X, MC3651H-2, and MC3651H-2X camera models, which have a five-year warranty.
- Two years on standard motorized or fixed focal length lenses.
- Two years on Legacy®, CM6700/CM6800/CM9700 Series matrix, and DF5/DF8 Series fixed dome products.
- Two years on Spectra®, Esprit®, ExSite™, and PS20 scanners, including when used in continuous motion applications.
- Two years on Esprit® and WW5700 Series window wiper (excluding wiper blades).
- Eighteen months on DX Series digital video recorders, NVR300 Series network video recorders, and Endura™ Series distributed network-based video products.
- One year (except video heads) on video cassette recorders (VCRs). Video heads will be covered for a period of six months.
- Six months on all pan and tilts, scanners or preset lenses used in continuous motion applications (that is, preset scan, tour and auto scan modes).

Pelco will warrant all replacement parts and repairs for 90 days from the date of Pelco shipment. All goods requiring warranty repair shall be sent freight prepaid to Pelco, Clovis, California. Repairs made necessary by reason of misuse, alteration, normal wear, or accident are not covered under this warranty.

Pelco assumes no risk and shall be subject to no liability for damages or loss resulting from the specific use or application made of the Products. Pelco's liability for any claim, whether based on breach of contract, negligence, infringement of any rights of any party or product liability, relating to the Products shall not exceed the price paid by the Dealer to Pelco for such Products. In no event will Pelco be liable for any special, incidental or consequential damages (including loss of use, loss of profit and claims of third parties) however caused, whether by the negligence of Pelco or otherwise.

The above warranty provides the Dealer with specific legal rights. The Dealer may also have additional rights, which are subject to variation from state to state.

If a warranty repair is required, the Dealer must contact Pelco at (800) 289-9100 or (559) 292-1981 to obtain a Repair Authorization number (RA), and provide the following information:

1. Model and serial number
2. Date of shipment, P.O. number, Sales Order number, or Pelco invoice number
3. Details of the defect or problem

If there is a dispute regarding the warranty of a product which does not fall under the warranty conditions stated above, please include a written explanation with the product when returned.

Method of return shipment shall be the same or equal to the method by which the item was received by Pelco.

### RETURNS

In order to expedite parts returned to the factory for repair or credit, please call the factory at (800) 289-9100 or (559) 292-1981 to obtain an authorization number (CA number if returned for credit, and RA number if returned for repair).

All merchandise returned for credit may be subject to a 20% restocking and refurbishing charge.

Goods returned for repair or credit should be clearly identified with the assigned CA or RA number and freight should be prepaid. Ship to the appropriate address below.

If you are located within the continental U.S., Alaska, Hawaii or Puerto Rico, send goods to:

Service Department  
Pelco  
3500 Pelco Way  
Clovis, CA 93612-5699

If you are located outside the continental U.S., Alaska, Hawaii or Puerto Rico and are instructed to return goods to the USA, you may do one of the following:

If the goods are to be sent by a COURIER SERVICE, send the goods to:

Pelco  
3500 Pelco Way  
Clovis, CA 93612-5699 USA

If the goods are to be sent by a FREIGHT FORWARDER, send the goods to:

Pelco c/o Expeditors  
473 Eccles Avenue  
South San Francisco, CA 94080 USA  
Phone: 650-737-1700  
Fax: 650-737-0933

Pelco, the Pelco logo, Camclosure, Esprit, Genex, Legacy, and Spectra are registered trademarks of Pelco.  
Endura and ExSite are trademarks of Pelco.

© Copyright 1996, Pelco. All rights reserved.



**PELCO**

3500 Pelco Way  
Clovis, CA 93612-5699 USA  
(559) 292-1981 • (800) 289-9100  
FAX (800) 289-9150 or (559) 292-3827

International customers call 1-559-292-1981  
or FAX 1-559-348-1120

(Product specifications subject to change  
without notice.)

**C1043M-A**



## Free Manuals Download Website

<http://myh66.com>

<http://usermanuals.us>

<http://www.somanuals.com>

<http://www.4manuals.cc>

<http://www.manual-lib.com>

<http://www.404manual.com>

<http://www.luxmanual.com>

<http://aubethermostatmanual.com>

Golf course search by state

<http://golfingnear.com>

Email search by domain

<http://emailbydomain.com>

Auto manuals search

<http://auto.somanuals.com>

TV manuals search

<http://tv.somanuals.com>